

# R A D I O G R A P H Y



■ Cephalometric Lateral



■ Cephalometric Frontal



■ With only a few clicks of a mouse, you can change exposure settings



■ Easy and Accurate Positioning

Three bright laser beams make patient positioning extremely easy and accurate, under any lighting conditions.



■ Motorized Positioning Beams and Overhead

Movement of the positioning beams and the X-ray head height are motorized for optimum ease of positioning.



■ Optional tomography chinrest

## Simple Operation - Unparalleled Image Quality

### ● Crisp Diagnostic Images

- Small focal spot
- Fast 7 second scan time with lower radiation
- State of the art CCD sensor

### ● Easy, Intuitive Operation

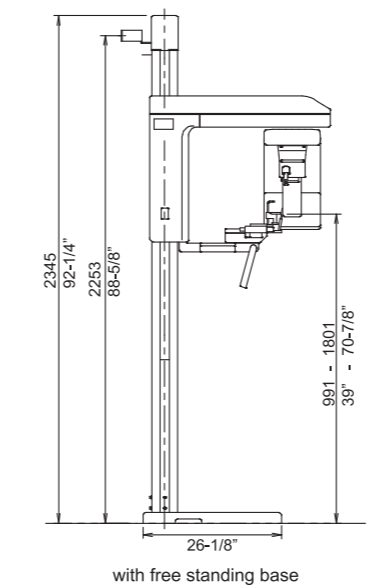
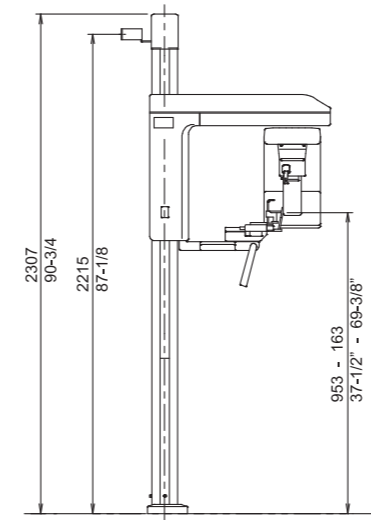
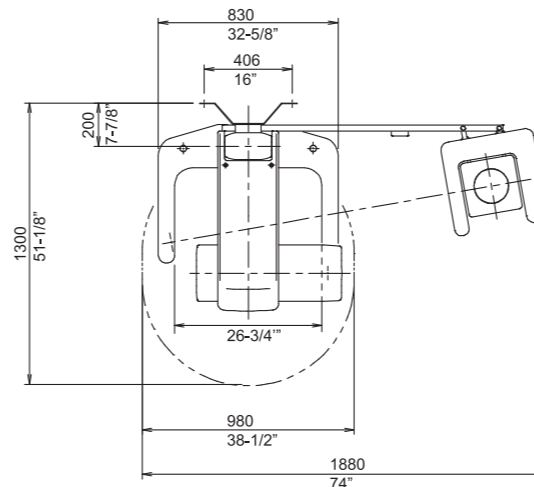
- Exposure settings can be changed with just a few clicks of the mouse
- 3-Laser beam patient alignment system
- Motorized X-Ray head and laser beam positioning
- TWAIN compatibility
- Fast image acquisition and transfer for rapid diagnosis

## ■ SPECIFICATIONS

Model	Belmax CM
Power Voltage	120 Vac 60Hz
Power capacity	2.0KW
H.T.Generator	High frequency Inverter (100kHz)
X-ray Tube Voltage	60kV-90kV (1kV step)
X-ray Tube Current	2, 4, 6, 8, 10, 12mA (2mA step)
X-ray Tube	D-052SB (Toshiba)
X-ray Tube Focus	0.5 X 0.5mm
Total Filtration	2.5mmAl (minimum)
CCD sensor	Both as Panoramic and Cephalometric
CCD specifications	Color depth : 12bit Static resolution : 6 line pairs per mm Signal to noise ratio : 200:1
Exposure Mode	Panoramic : Child / Adult / Orthoradial Maxillary Sinus TMJ : Lateral / Frontal Cephalometric : Lateral / Frontal Tomography Mode : Standard
Exposure Time Panorama	Panoramic : 7.0sec / 12.0sec, Maxillary Sinus : 8sec, TMJ : Lateral 3sec(x4), Frontal 3sec(x2) Cephalometric : Lateral 2.9sec(short time exposure), 4.0sec(standard exposure), Frontal 3.2~5.0sec Tomography 27sec / 1 exp.
Magnification	Panoramic : X 1.21~1.36, Maxillary Sinus : X 1.2~1.22, TMJ Lateral : appr.X 1.24, TMJ Frontal : appr.X 1.88, Cephalometric Lateral & Frontal : X 1.1
Patient Positioning Beam	3 beams
Positioning tools	Panoramic, Maxillary Sinus, TMJ Lateral, TMJ Frontal, Tomography
Weight	417lb (189kg) w/o optional free standing base

TWAIN compatible  
Cephalometric is available for both right or left side installation to fit your location  
Interface : Ethernet 10/100 Base-T  
Optional tomography chinrest  
Optional free standing base  
\* Requires PC for operation

## ■ DIMENSIONS



BELMONT EQUIPMENT, Division of Takara Belmont, USA, Inc.  
101 Belmont Drive Somerset, New Jersey 08873 U.S.A.  
Phone : (800)223-1192 Fax : (732)356-1035  
www.belmontequip.com

TAKARA CO., CANADA LTD.  
2076 S. Sheridan Way, Mississauga, Ont., L5J2M4, Can.  
Phone : (905)822-2755 / (800)268-5351 Fax : (905)822-6203  
dental.takarabelmont.ca

BRH00031 REV. 071411

**Belmax CM**  
Digital Panoramic-Cephalometric X-ray System



Quolis™ Series

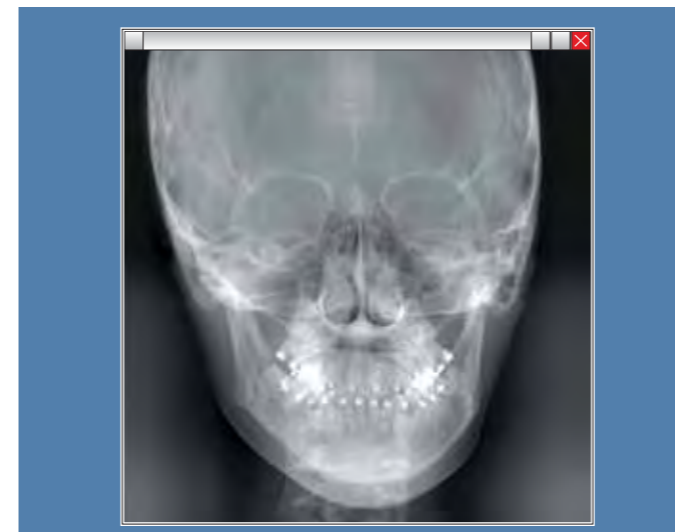
# FULL DIGITAL RADIOGRAPHY



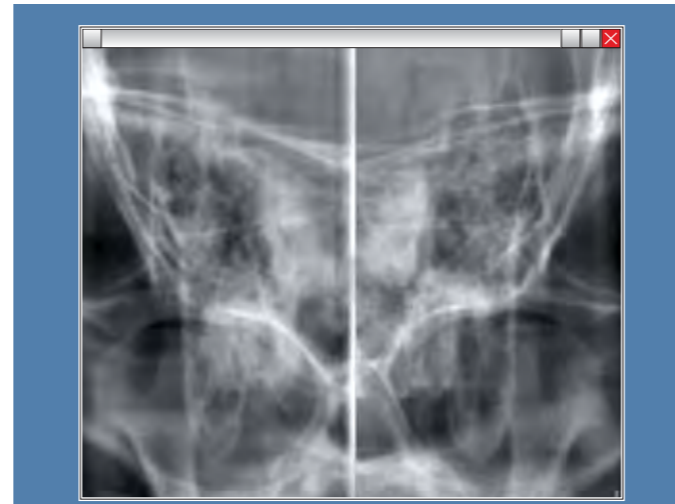
■ Adult 7sec



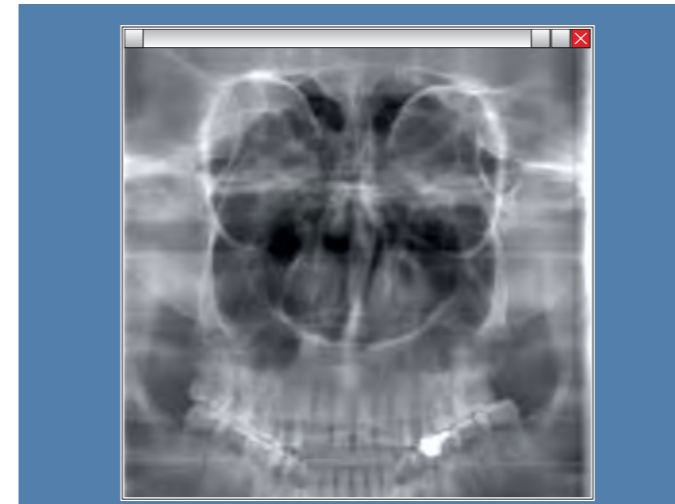
■ Cephalometric Lateral 2.9sec



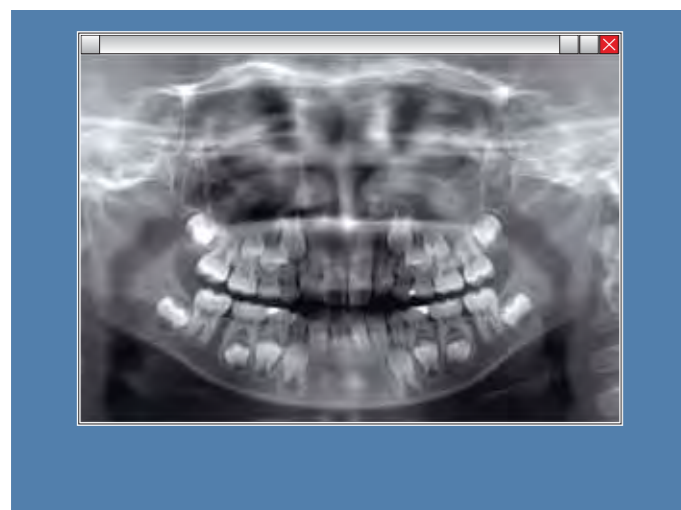
■ Cephalometric Frontal 3.2sec



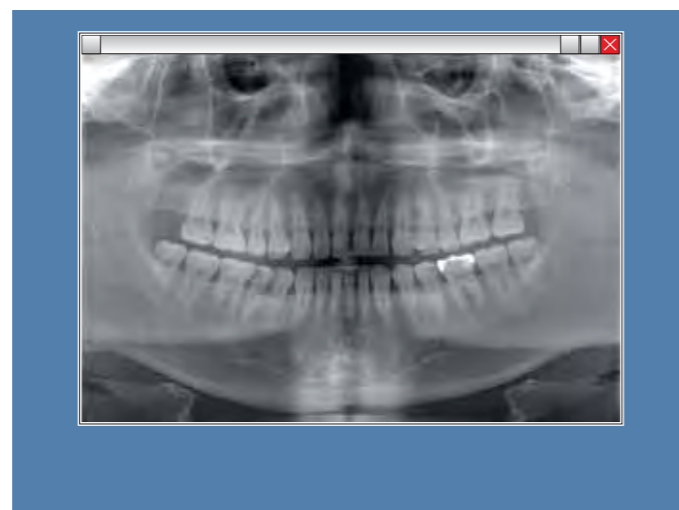
■ TMJ Frontal 6sec



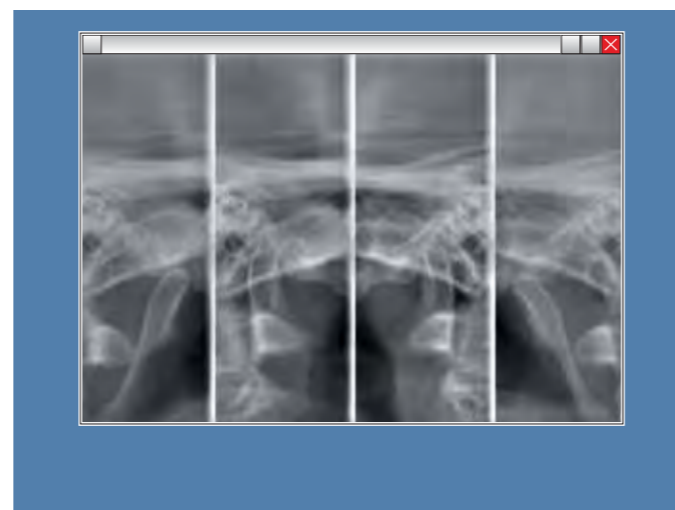
■ Maxillary Sinus 8sec



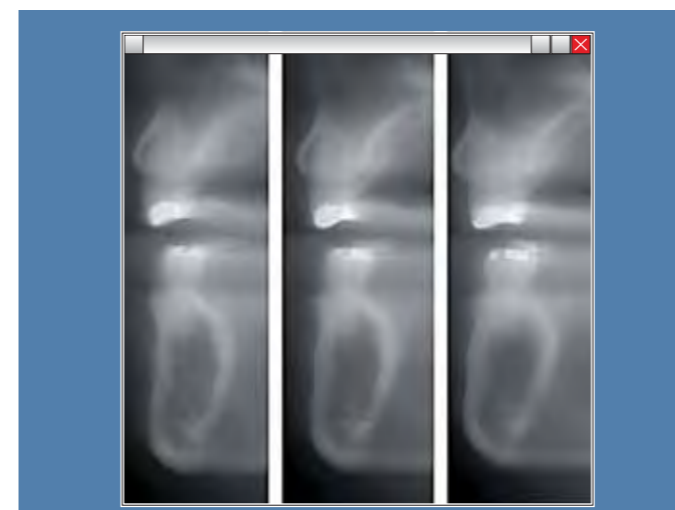
■ Child 7sec



■ Orthoradial 7sec



■ TMJ Lateral 12sec



■ Tomography (1 slice or 3 slice)



Digital Panoramic-Cephalometric Radiograph

## BelmaX CM



Single CCD sensor for Panoramic and Cephalometric functions.

Shown with optional free standing base

### EXPOSURE MODE

- Panoramic — Child  
— Adult  
— Orthoradial
- Maxillary Sinus — Cephalometric — Lateral  
— Frontal
- TMJ — Lateral  
— Frontal
- Tomographic

### EXPOSURE TIME

- Panoramic — 7.0sec (Short time exposure) /  
— 12.0sec (Standard exposure)
- Maxillary Sinus — 8.0sec
- Cephalometric — Lateral 2.9sec (Short time exposure) /  
— Lateral 4.0sec (Standard exposure)  
— Frontal 3.2~5.0sec
- TMJ — Lateral 12.0sec  
— Frontal 6.0sec
- Tomography — 27sec / 1 exp.