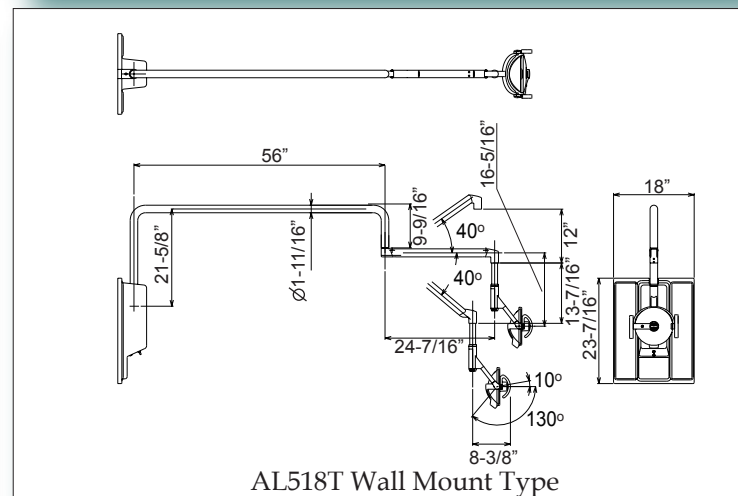
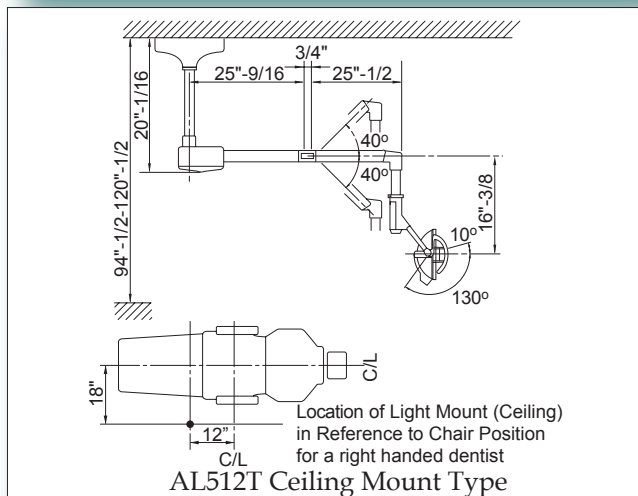
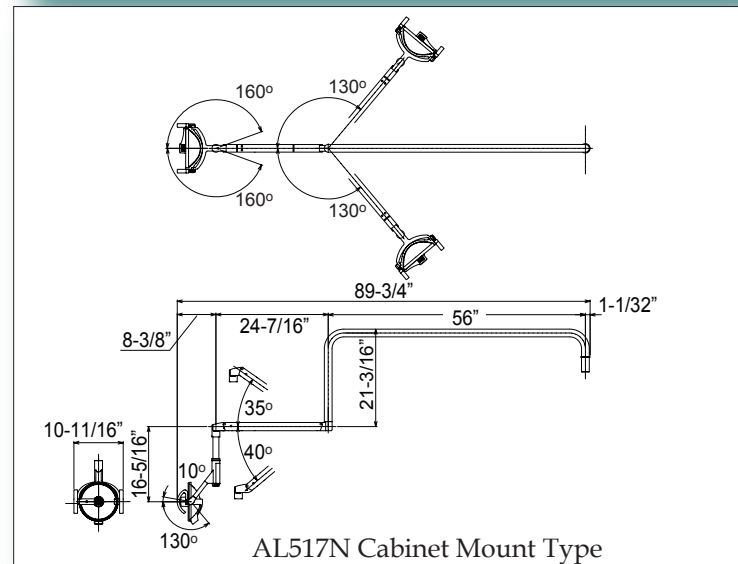
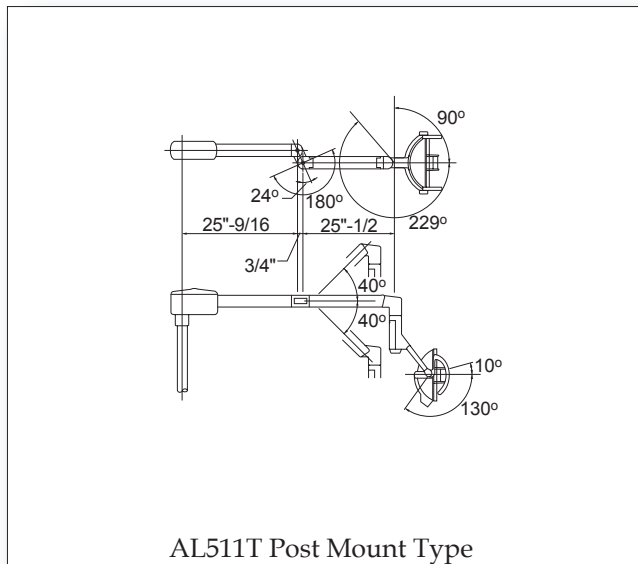
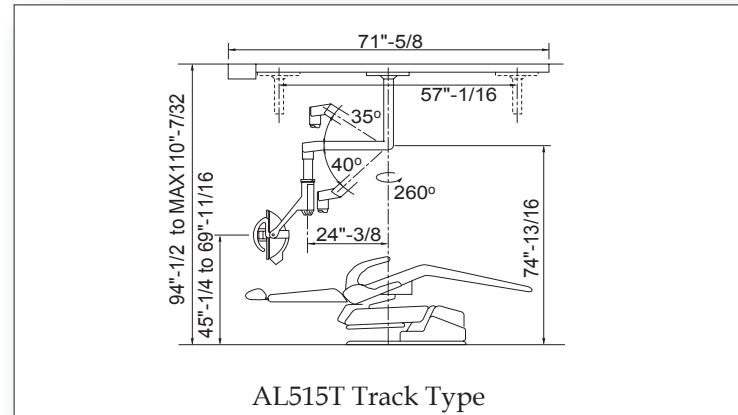


Specifications and dimensions

Light Pattern	2.4" x 6.7" at a focal distance of 29.5"		
Intensity	High	Low	Composite
Light Output (FTC)	2600	2000	740
Color Temperature (K°)	5000K° at 2600FTC		
Output Voltage	24.1V	23.0V	17.2V
Input Voltage	120V / 60Hz AC		
Bulb Type	24V, 60W, Tungsten Halogen		



CLESTA
Dental Light

Reliability and quality that have proven themselves

The three-way intensity switch adjusts for proper oral cavity illumination and a reduction in eye fatigue. High / Middle / Low (composite safe)

Touchless Switch

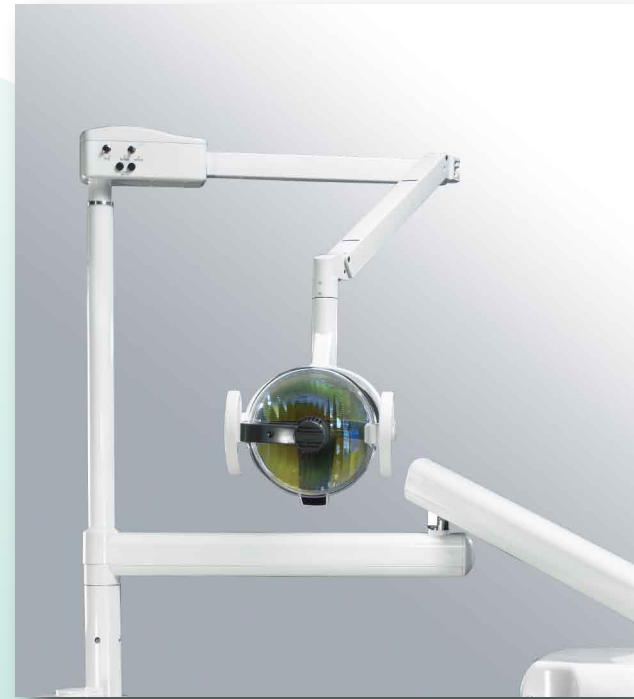
A movement of the hand, beneath the switch, turns the light on and off, offering protection to the dentist and assistant from the risk of cross contamination

White Light (5000K^o)

Cool, white light illuminates the oral cavity; the Dichroic-coated reflector filters out the infrared rays and dissipates heat

The bulb is easily removed for replacement.

The handles can be positioned up or down for operator convenience and putting on protective covering for asepsis.



AL-511T Post Mount



AL-512T Ceiling Mount (8 to 10 FT)



AL-515T Track Mount (8 to 10 FT)



BDS-2535 With Curved Post
(Optional with Belmont Delivery System)



AL-517N Cabinet Mount

Note : Swing Mount Type (BDS-2535) and Wall Mount Type (AL518T) are also available