

BEL-20+ DENTAL CHAIR

Model : B-20+

Parts List

Ver. 01.1

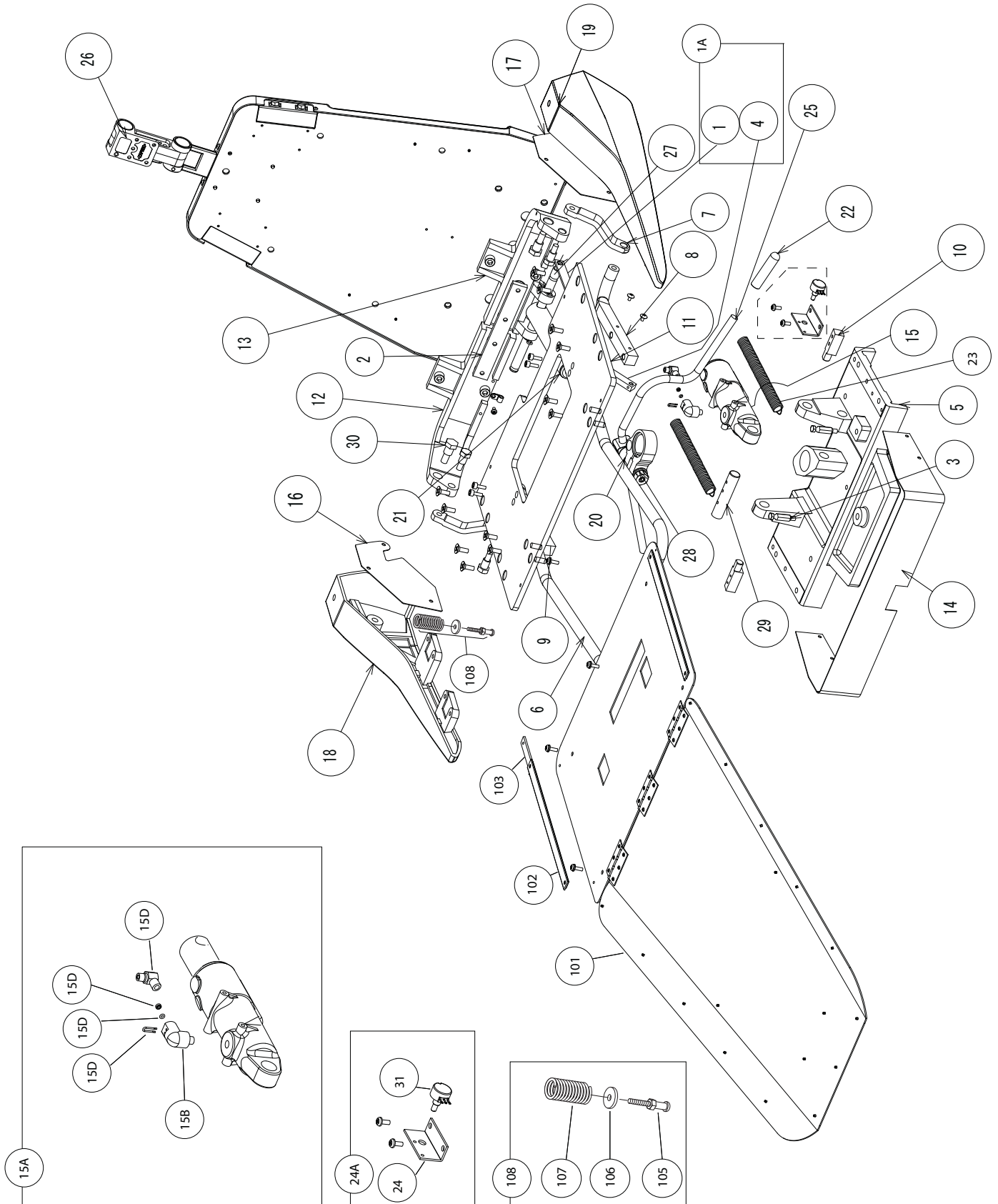
July 9, 2010

IMPORTANT

- Not all of the parts indicated in these lists are available by itself. Some of the parts can only be supplied as an assembled unit with other parts.
- Parts design, description and parts numbers are subject to change without notice.
- Not all of the parts are available in stock of Takara Belmont USA Inc. Some of the parts need to be arranged at receipt of your firm purchase order.



1. Chair Base (Top section)

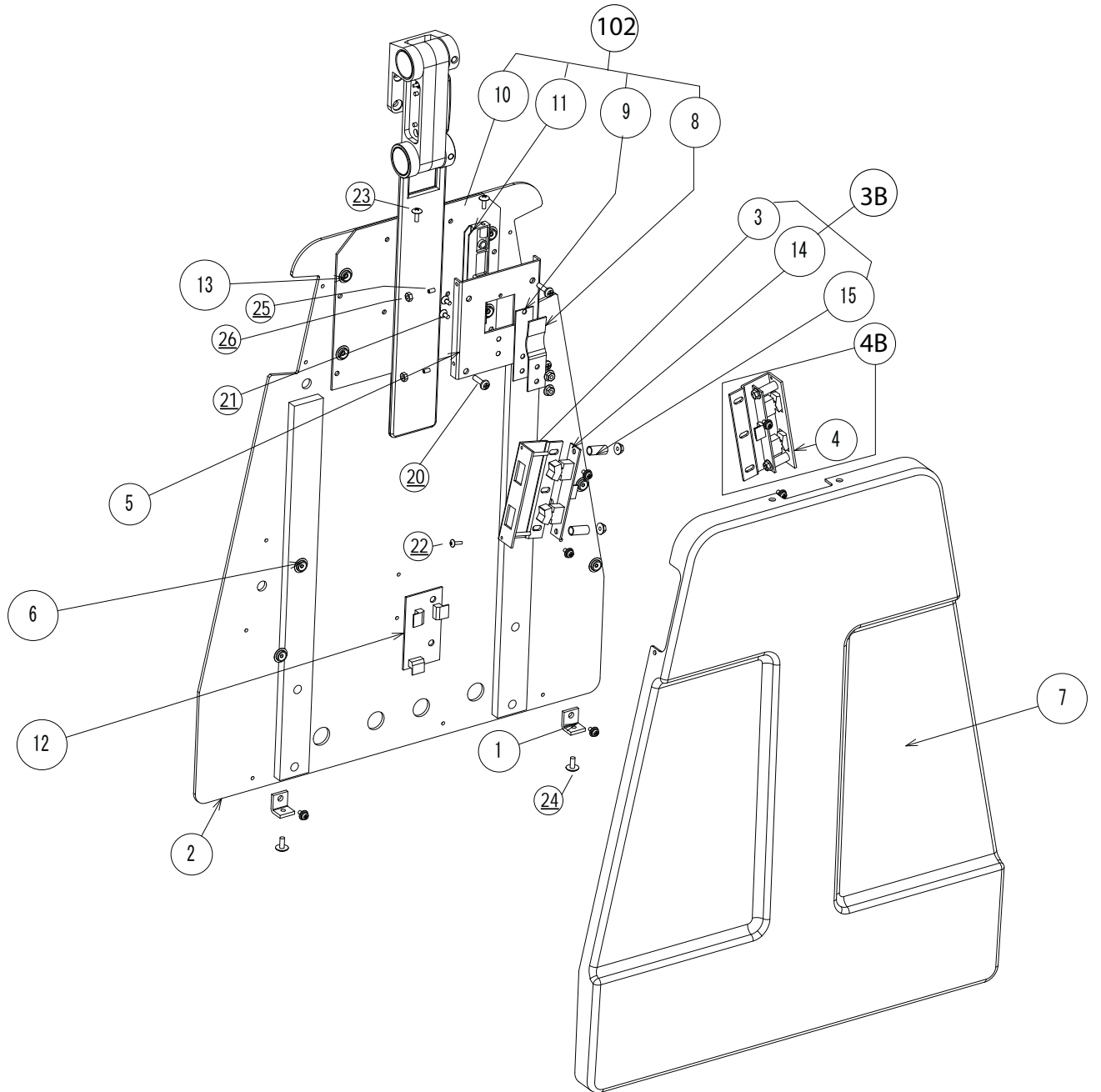


1. Chair Base (Top section)

No.	Part No.	Description	Qty	Remark
1A	B10503906	Reclining link ass'y	1	APDP16A0
2	AAEJ99B0	Back support Plate	1	AAEJ99B0
3		Spring hook for backrest	2	AAET37A0
5	B10H3728	Rotation flange	1	DAOB19A0
6		Foot rets support bar	1	1A0265A0
7	B10T3964	Recline link	2	DAOJ15A0
8	B10J3681	Link anchor (left)	1	DAOJ19A0
9	B10J3680	Link anchor (right)	1	DAOJ20A0
10	B10U3525	Tilt pin	2	DAOR63A0
11	B10H3824	Seat Plate	1	DAPB07A0
12	B10K3873	Back Support (Right)	1	DAPE15A0
13	B10K3874	Back Support (Left)	1	DAPE15A0
14	B10M3962	Side cover	1	DAPE33A0
15A	B10503721	Recline cylinder ass'y	1	APDN19A0
15B	B10T1027	Elbow for high pressure hose	1	SALA05C0
15C	B10Q3300	Elbow for over flow hose	1	AAES26A0
15D	B10Q6237	U pin	1	ABNL93B0
15E	B10F3470	O-ring (P3)	1	AEDN86A0
15F	B10Q6241	O-ring retainer (Brass ring)	1	AANF59B0
16	B10J3684	Side Frame cover (Right)	1	DAQJ45A0
17		Side Frame cover (Left)	1	DAQJ46A0
18	B10L3607	Side Frame (Right)	1	DENR01AA
19	B10L3608	Side Frame (Left)	1	DENR02AA
20	B10E6017	Clamping Body	1	E-60170
22	B10G0050	Grip	1	G-00500
23	B10T3692	Reclining spring	2	G-01300
24A		Potentiometer ass'y for reclining	1	1S006FA0
25	B10Q3300	Elbow	1	AAFE14A0
26	B10350851W	Twin axis headrest mechanism	1	AXEA01A0
27	B10T3965	Cylinder pin (rear)	1	T-39650
28	B10U2102	Left hand nut	1	U-21020
29	B10U3526	Cylinder pin (front)	1	U-35260
30	B10U3533	Tapered Bolt	2	U-35330
101	B10503907W	Seat plate ass'y	1	AXEA08A0
102		Velcro	2	DECR43A0
103		Plate for Velcro	2	AAEJ84A0
104	B10R1186	Link Pin 12 x 36	2	R-11860
105	B10U3919	Armrest screw	2	U-3919
106	B10Q3503	Armreste washer	2	Q-3503
107	B10Q3505	Armrest spring	2	Q-3505
108	B20Q3506	Armreset screw KIT	0	APDN30A0

4. Chair Base (Backrest Plate Section)

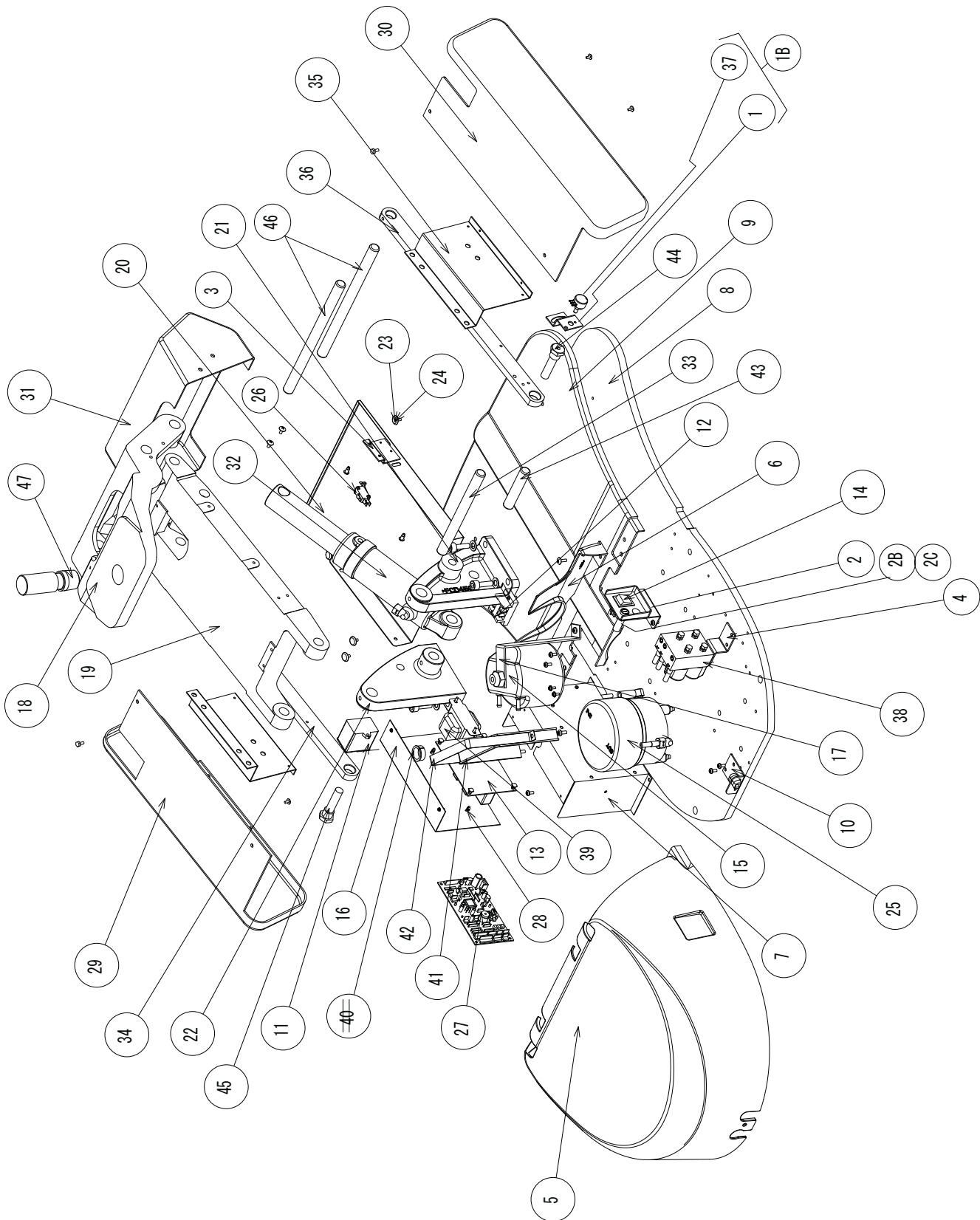
101



4. Chair Base (Backrest Plate Section)

No.	Part No.	Description	Qty	Remark
1		Fixing plate for covers	2	AAER88A0
2	B10L3605	Backrest plate without rivets (not available as spare part)	1	DAPB31A0
3	B10N3704	Backrest switch guard (Left)	1	DAPJ22A0
4	B10N3703	Backrest switch guard (Right)	1	DAPJ21A0
3B	B10503902	Backrest switch ass'y (left)	0	AGER19A0
4B	B10503901	Backrest switch ass'y (right)	0	AGER18A0
5	B10S3738	Spring plate	1	DAQJ66A0
6		Not available as spare part	1	
7	B10A3725	Backrest cover	1	HAPE04A0
8	B10S3739	Spring bar	1	S-3739
9	B10S3740	Rubbing block	1	S-3740
10	B10T3974	Headrest plate	1	T-39740
11	B10U3534	Headrest guide	2	U-3534
12	B10X6520	Backrest connecting PCB	1	X-65200
14	B10X6521	Backrest switch board	2	X-65210
15	B10X6595	Spacer	4	X--65950
20		Pan head screw M5 x 16mm	4	
21		Flat head screw M4 x 8	2	
22		Round head screw M3 x 10mm	2	
23		Round head wood screw 4mm x 10mm	2	
24		Round head screw M5 x 10mm	2	
25		Set screw M4 x 6	3	
26		Hex nut M4	2	
101		Backrest complete assembly	0	1S006KB0
102	B10503903	Headrest bar guide ass'y	0	APDN45A0

3. Chair Base (Base section)



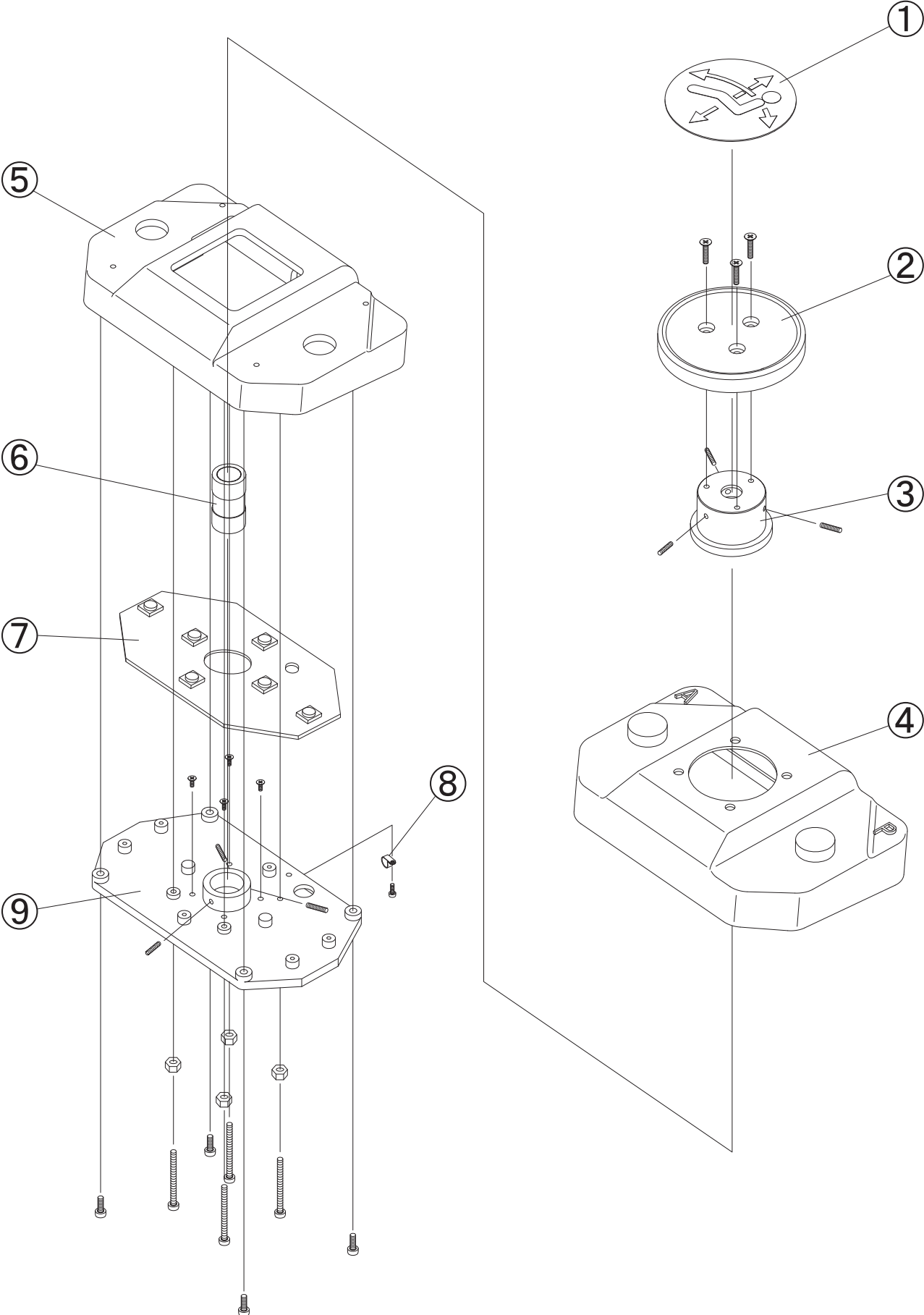
3. Chair Base (Base section)

No.	Part No.	Description	Qty	Remark
1		Plate for base potentiometer	1	AAET12A0
1B		Potentiometer ass'y for base	1	1A00HLA0
2		Plate for power, fuse and main switch	1	1A00GYA0
2B		Fuse 10A 314010MXP	2	AEFS11A0
2C		Fuse holder MF-530	2	AEFR92A0
3		Plate for safety cut-out switch	1	AAEJ97A0
4		Plate for solenoid valve block	1	AAER82A0
5		Pump cover (Front)	1	AAFC46A0
6		Pump cover (Rear)	1	AAFC47A0
7		Box for PCB	1	AAFF67A0
8		Base plate	1	AAFF69A0
9		Base cover	1	AAFF74A0
10		Fixing plate for pump cover	1	AAFL80A0
11		Capacitor	1	AATP26A0
12		Main terminal block	1	AEFU22A0
13		Relay PCB	1	AGER31A0
14		Main switch A8A-213-1G	1	AEIA06B0
15	B10C3244	Oil reservoir	1	AAFE57A0
16		Cover for PCB	1	DACE02B0
17		Fixing plate for oil reservoir	1	AAER85A0
18	B10B3846	Flange	1	DAOB22A0
19	B10B3452	Main link	1	DAOB23A0
20	B10503908W	Safety plate	1	DAPE31A0
21	B10K3182	Link bracket (Left)	1	DATE61A0
22	B10K3181	Link bracket (Right)	1	DATE62A0
23	B50DEAS14A0	Cap washer (White)	6	DEAS14A0
24	B50DEAS15A0	Lid for Cap washer (White)	6	DEAS15A0
25		Motor ass'y	1	1S006DA0
26	B10X6313	Micro switch	1	DNBR78A0
27		Control PC board	1	DNCJ06A0
28		Spacer	1	DELR09AA
29	B10H3077	Link cover right	1	HAPE06A0
30	B10H3078	Link cover left	1	HAPE07A0
31	B10L3606	Flange coverr	1	HAPE09A0
32	B10503720	Base cylinder ass'y	1	ASBA03A0
33	B10P3440	Link pin (Lower)	1	P-34400
34	B10P3443	Sublink	1	P-34432
35	B10T3426	Safety support frame	2	T-34260
36	B10T3429	Sublink	1	T-34292
37		Included in 1B	1	

3. Chair Base (Base section)

No.	Part No.	Description	Qty	Remark
38		Solenoid valve block with AAER82A0 plate	1	1S0033A0
39		Transformer	1	1G004VA0
41		Motor band	1	S-30200
42		Motor band retainer	1	AABN13A0
43	B10R3195	Cylinder pin	1	R-31950
44	B10U3331	Sub link shaft	1	U-33310
45	B10R3196	Sub link shaft	1	R-31960
46	B10P3441	Link shaft	2	P-34410
47	B10U3521	Rotation shaft	1	U-35210

4. Foot Switch (1 Preset switch)



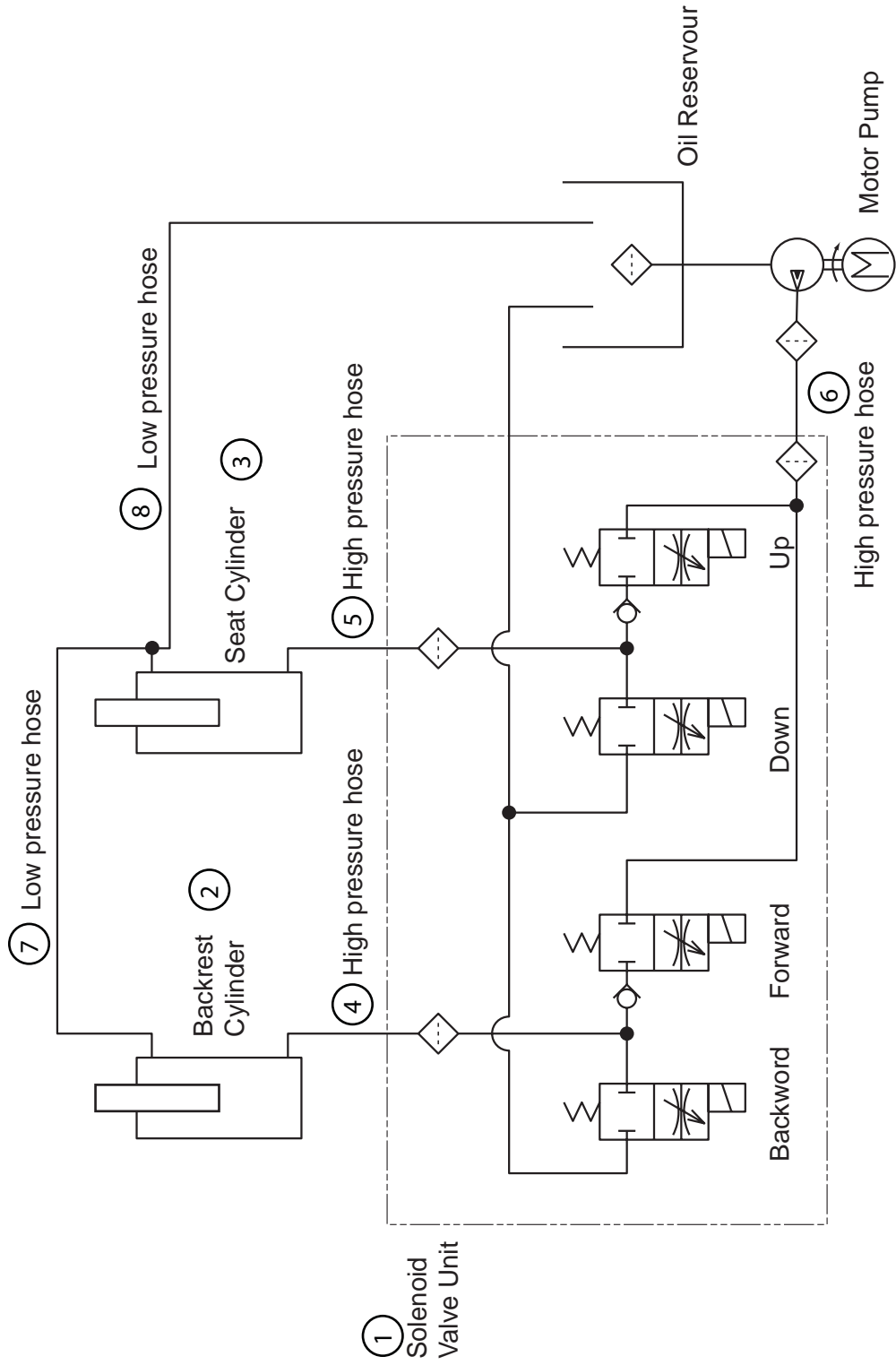
4. Foot Switch (1 Preset switch)

No.	Part No.	Description	Qty	Remark
1	B10X7322	Label	1	R-32460
2	B10T3271G	Disk	1	DAOJ76A0
3	B10U3135	Cap	1	U-31350
4	B10K3276G	Rubber Cover	1	DAPE62A0
5	B10K3275	Foot control body	1	K-32750
6	B10U3180	Rubber shaft	1	AAFU87A0
7	B10X7898	Foot switch PC board	1	AGFR45A0
8		Clamp	1	XX-387240010
9	B10K3191	Switch plate	1	K-31910
101	B50AYDR07A0	Foot switch ass'y (One preset)	1	AYDR07A0

5. Wire harness and electric parts

No.	Part No.	Description	Qty	Remark
1	B10X6521	Backrest switch PCB	1	X-65210
2		Backrest Wire harness A1	1	X-65230
3	B10X6524	Backrest Wire harness A2	1	X-65240
4	B10X6520	Backrest connection PCB	1	X-65200
5		Wire harness for connection PCB	1	1A00HJA0
6		Potentiometer ass'y for reclining with plate	1	1S006FA0
7		Wire harness for micro switch (chair lock)	1	DNCS42A0
7B	B10X6313	Micro switch V-5515EK (chair lock)	1	DNBR78A0
8		Potentiometer ass'y for base	1	1A00HLA0
9		Foot switch ass'y (1 preset)	1	AYDR07A0
10		Wire harness for foot switch	1	ANDS01B0
11		Control PCB for B-50 / B-20+	1	DNCJ06A0
12		Relay PCB	1	AGER31A0

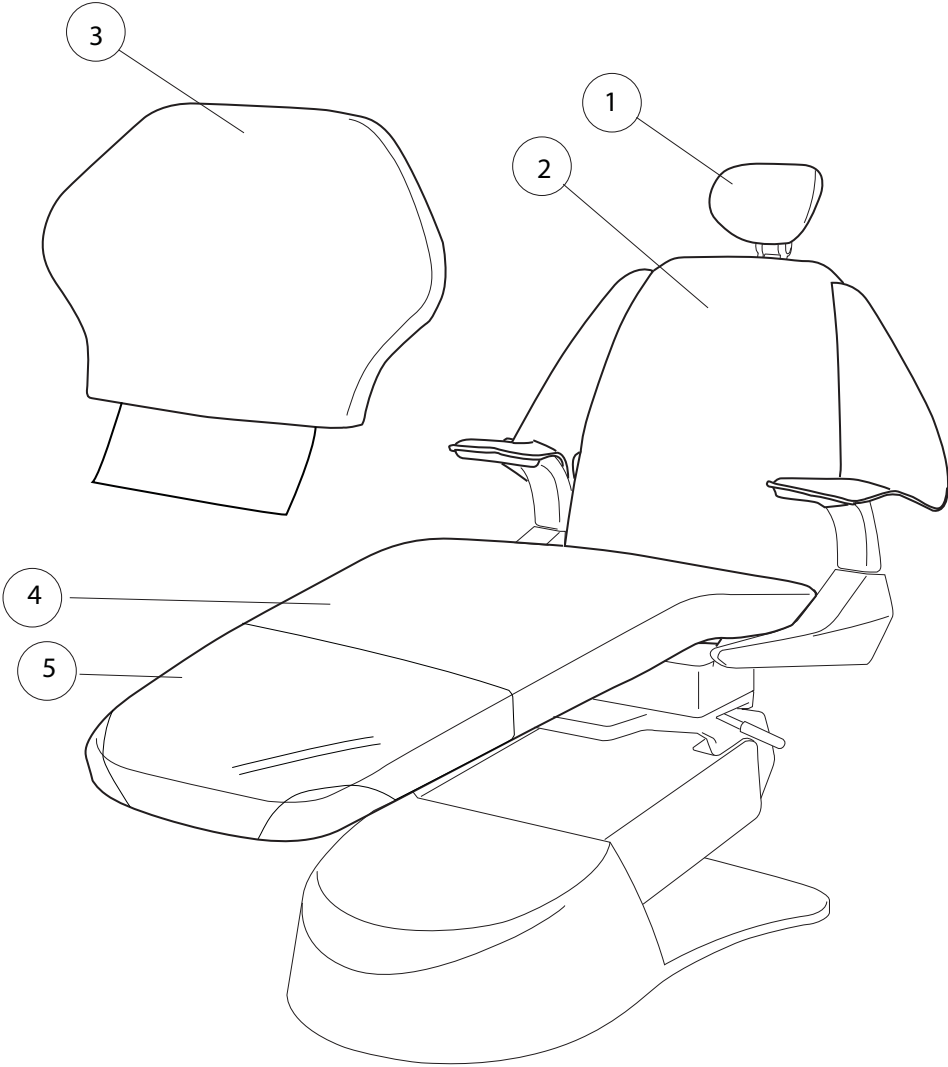
6. Hydraulic hoses and components



6. Hydraulic hoses and components

No.	Part No.	Description	Qty	Remark
1		Solenoid valve block with AAER82A0 plate	1	1S0033A0
2	B10503721	Recline cylinder ass'y	1	APDN19A0
3	B10503720	Base cylinder ass'y	1	ASBA03A0
4		High pressure hose (1700mm), between solenoid valve and recline cylinder	1	AEFR99A0
5		High pressure hose (680mm), between solenoid valve and base cylinder	1	AENL77B0
6		High pressure hose (250mm), between motor and solenoid valve block	1	AENL66B0
7	B10X5513	Low pressure hose between	1.4 m	X-55130
8	B10X5557	Low pressure hose, between base cylinder and oil reservoir	0.8 m	AENL14A0

7. Upholsteries



7. Upholsteries

No.	Part No.	Description	Qty
1	B20HR (+ Color code)	Headrest upholstery for replacement	1
2	SLBK (+ Color code)	Back rest (Narrow, with slings) upholstery for replacement with Duration vinyl	1
2	ULSLBK (+ Color code)	Back rest (Narrow, with slings) upholstery for replacement with Ultraleather	1
3	NUBK (+ Color Code)	Back rest (Wide, without sling) upholstery for replacement with Duration vinyl	1
3	ULNUBK (+ Color code)	Back rest (Wide, without sling) upholstery for replacement with Ultraleather	1
4	SLST (+ Color code)	Seat upholstery for replacement with Duration vinyl	1
4	ULSLST (+ Color code)	Seat upholstery for replacement with Ultra-leather vinyl	1
4	NUST (+ Color code)	Seat upholstery for replacement with Duration vinyl	1
4	ULNUST (+ Color code)	Seat upholstery for replacement with Ultra-leather vinyl	1
5	B10B3645	Legrest protector for replacement	1
	SL (+ Color code)	Complete upholstery set containing narrow backrest with slings with Duration Vinyl	
	ULSL (+ Color code)	Complete upholstery set containing narrow backrest with slings with Ultraleather	
	NU (+ Color code)	Complete upholstery set containing wide backrest without sling with Duration Vinyl	
	ULNU (+ Color code)	Complete upholstery set containing wide backrest without sling with Ultraleather	

SLST and NUST is identical. ULLSST and ULLNUST is identical too. When you order a seat upholstery that are cobined with a backrest with slings, please use SLST orULSLST as a part number for seat upholstery.

NOTE

BELMONT EQUIPMENT, Division of Takara Belmont USA, Inc.
101 Belmont Drive Somerset, New Jersey 08873 U.S.A. TEL.:(732) 469-5000 / (800) 223-1192

