

BEL-50+ DENTAL CHAIR

Model : B-50

Parts List

Ver. 02.1

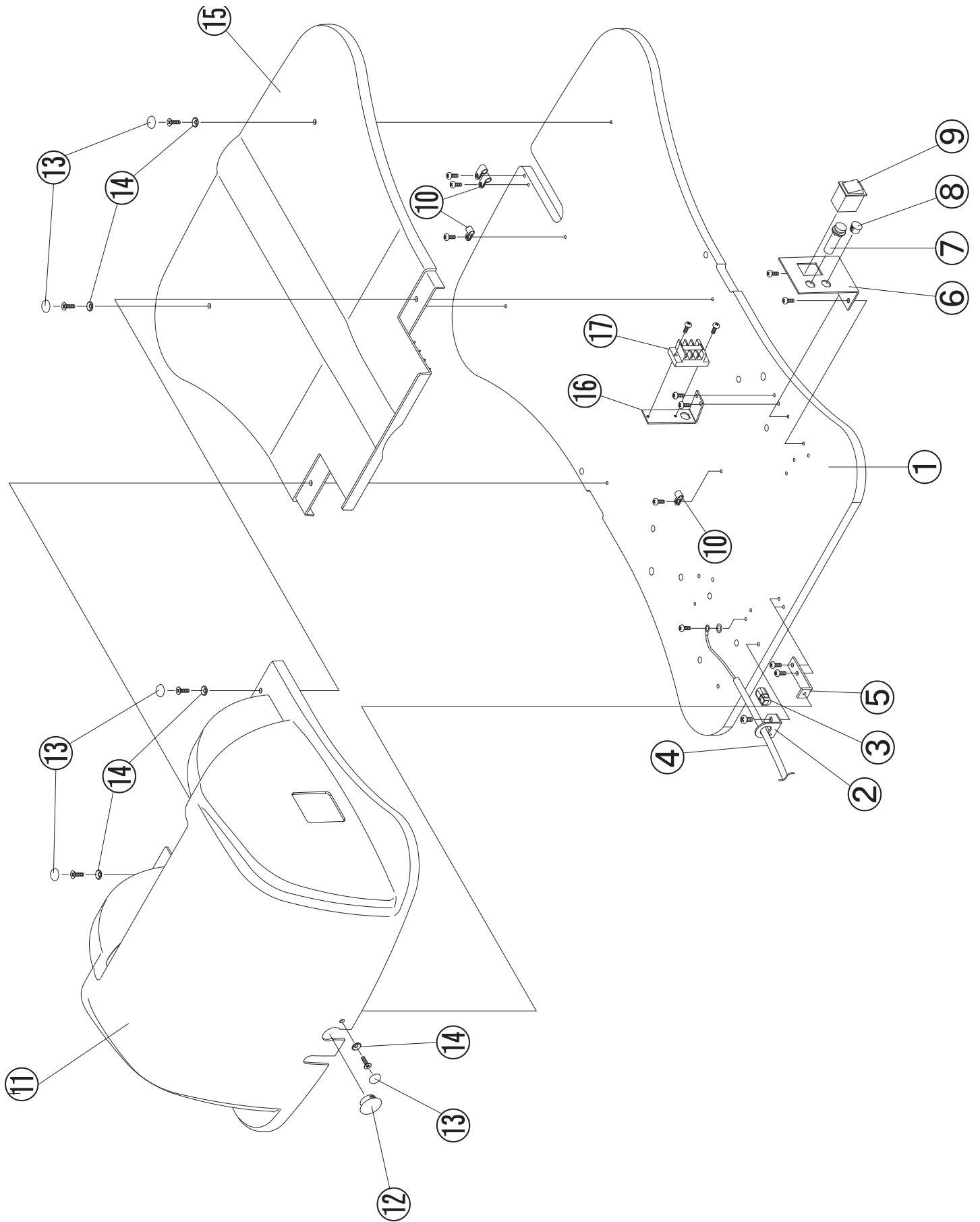
Sept 1, 2010

IMPORTANT

- Not all of the parts indicated in these lists are available by itself. Some of the parts can only be supplied as an assembled unit with other parts.
- Parts design, description and parts numbers are subject to change without notice.
- Not all of the parts are available in stock of Takara Belmont USA Inc. Some of the parts need to be arranged at receipt of your firm purchase order.



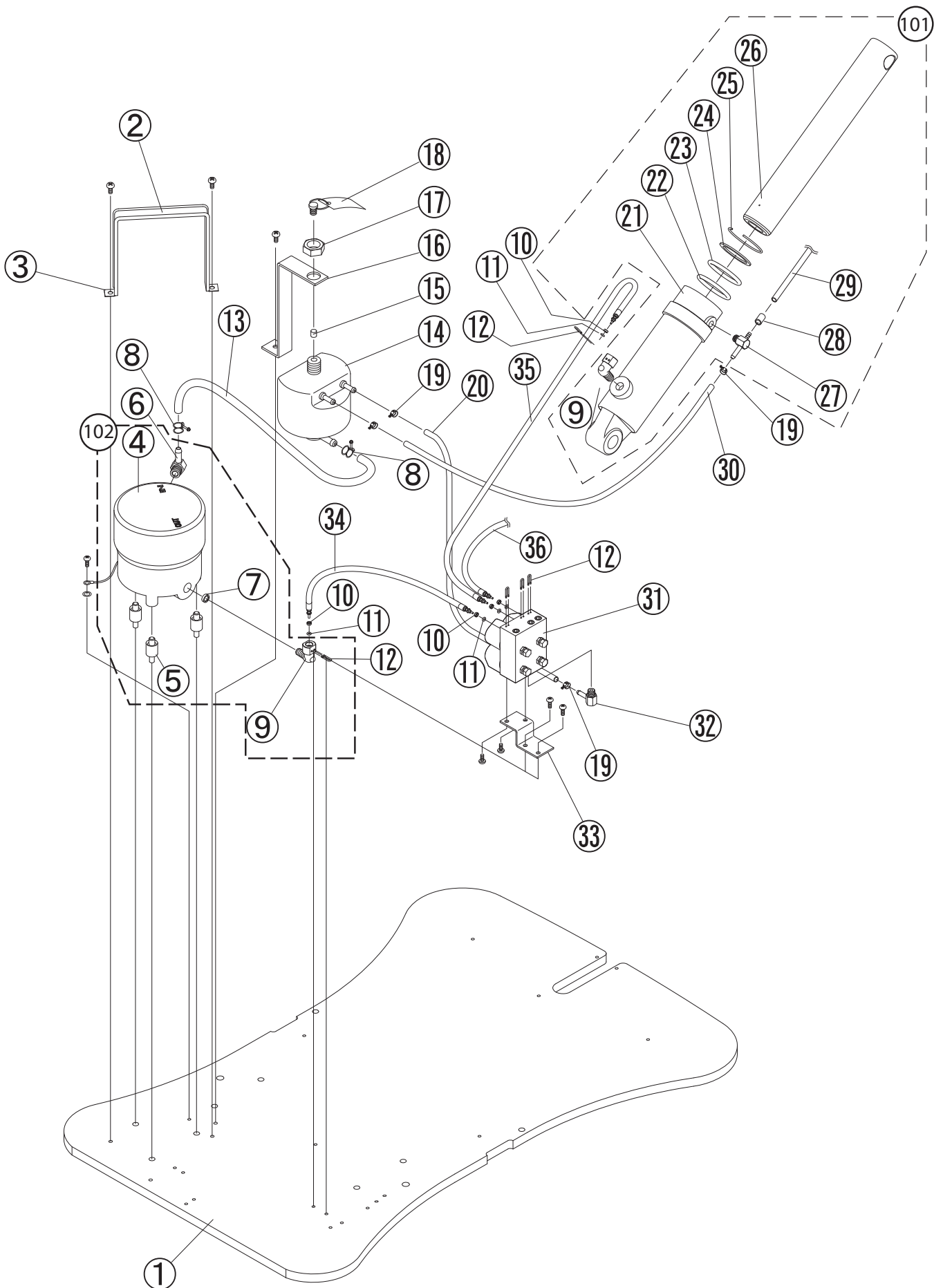
1. Base Section -1



1. Base Section -1

No.	Part No.	Description	Qty	Remark
1		Base Plate	1	DACA12A0
2		Wire Bracket	1	AAFR16A0
3		Strain Relief	1	AFNA70A0
4		Power Cord	1	1E00CNA0
5		Pump Cover Bracket	1	DACR77A0
6		Switch Bracket	1	DAQJ07A0
7		Fuse 10A (314010)	1	AEFS11A0
		Fuse Holder(MF-530)	1	AEFR92A0
8		Plug	1	AFNA73A0
9	C07DELR10AA	Switch	1	BELA20A0
10		Clamp	4	X-50520
11	B50HBCE63A0	Pump Cover	1	HBCE63B0
12		Hole Plug DP1000	1	AFER24A0
13	B50DEAS15A0	Cap for screw (white)	5	DEAS15A0
14	B50DEAS14A0	Washer (white)	5	DEAS14A0
15	B50HBCE64A0	Base Cover	1	HBCE64B0
16		Terminal Block Plate	1	AAFR19A0
17		Terminal Block	1	AEFU22A0

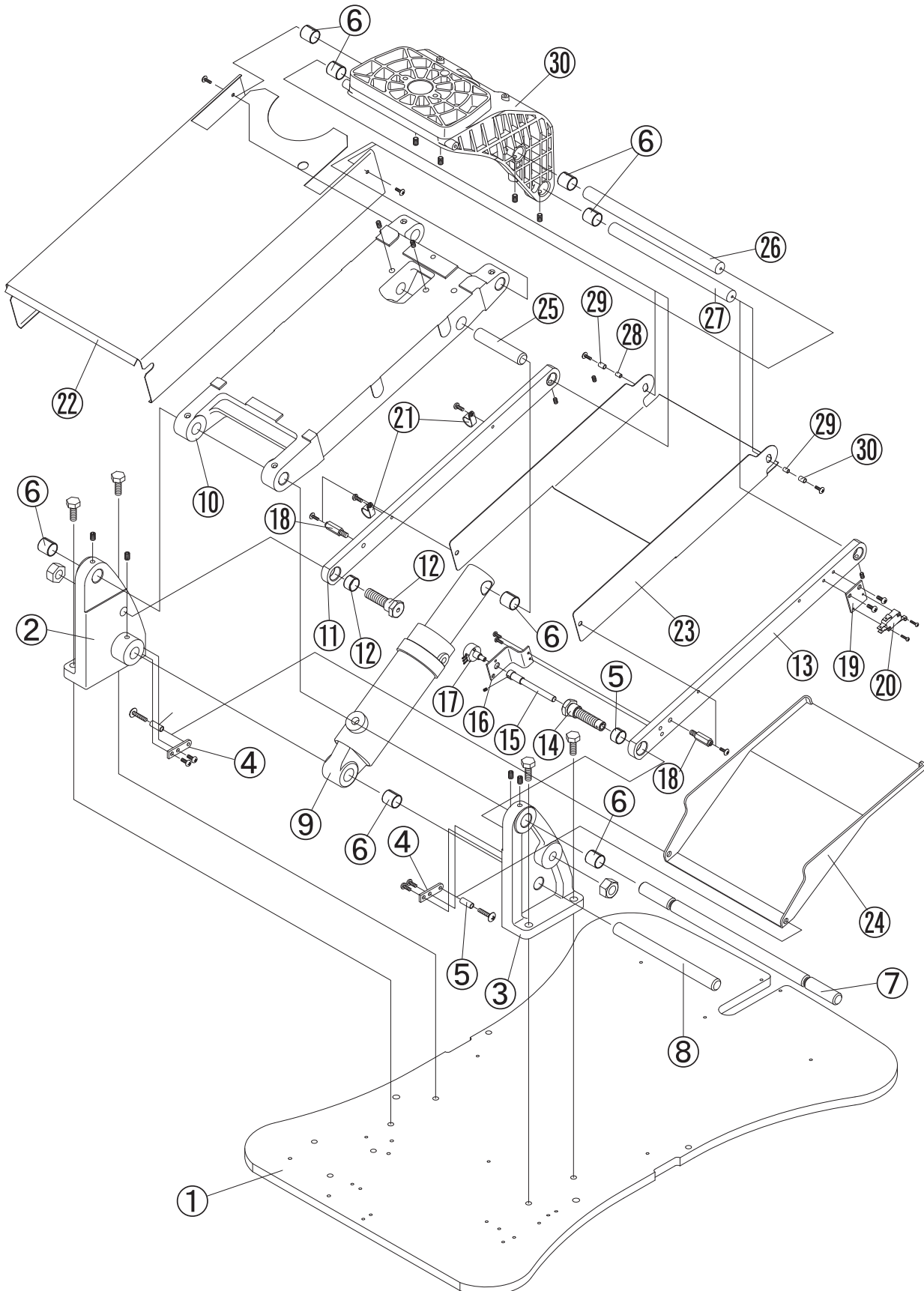
2. Base Section -2



2. Base Section -2

No.	Part No.	Description	Qty	Remark
1		Base Plate	1	DACA12A0
2		Motor Clamp Belt (rubber)	1	S-30200
3		Motor Clamp (metal)	1	AABN13A0
4		Motor Pump Assembly (115V 5LP)	1	DETS17A0
5		Motor Mount (shock absorber rubber)	3	R-12140
6		L shaped Motor Nipple	1	AANF60B0
7		Strainer	1	F-61330
8		Hose Clamp	2	ABNH95B0
9		Elbow Joint 01	2	SALA06C0
10	B10Q6241	O-Ring Retainer	5	AANF59B0
11	B10F3470	O-ring (P-3)	5	AEND86A0
12	B10Q6237	U shaped Pin	5	ABNL93B0
13		Low Pressure Hose (oil reserver to Motor)	0.34m	AENL15A0
14	B10C3244	Oil Reserver	1	AAFE57A0
15		Oil Filter	1	F-61420
16		Oil Reserver Bracket	1	DACJ52A0
17		Nut	1	AANK19B0
18		Rubber Plug	1	F-61701
19		Wire Clamp	4	ABNH94B0
20		High Pressure Hose 400mm (oil reserver to solenoid valve unit)	0.4m	AENL14A0
21		Base Cylinder	1	1A00ZPA0
22		O-Ring (T-127)	1	AENE20A0
23		O-Ring (P-45)	1	AENE04A0
24		Felt Ring	1	F-34270
25		Felt Ring Retainer	1	F-34810
26		Ram Shaft (44.7 x 308L)	1	ERPJ05A0
27		T-Joint	1	AAES32A0
28		Tube	0.01m	X-55140
29		Low Pressure Hose (UN-1/4 4-6 Black)	1.35m	X-55130
30		Low Pressure Hose (5 x 10 x 1B) 400mm	0.4m	AENL14A0
31		Solenoid Valve Assembly (115V)	1	AGFR27A0
32		L shaped Hose Nipple	1	AANF63B0
33		Solenoid Support Bracket	1	AAER82A0
34		High Pressure Hose (φ3×350L)	1	AENL72B0
35		High Pressure Hose (φ3×520L)	1	AENL74B0
36		High Pressure Hose (φ3×1400L)	1	AEFS03A0
101	B10503720	Base Cylinder ass'y with fittings	1	ASBA15A0
102	B10D6065	Motor pump with harness and fittings	1	1S006DA0
103	B10X8083	Solenoid valve assembly with fittings	1	1S0033A0

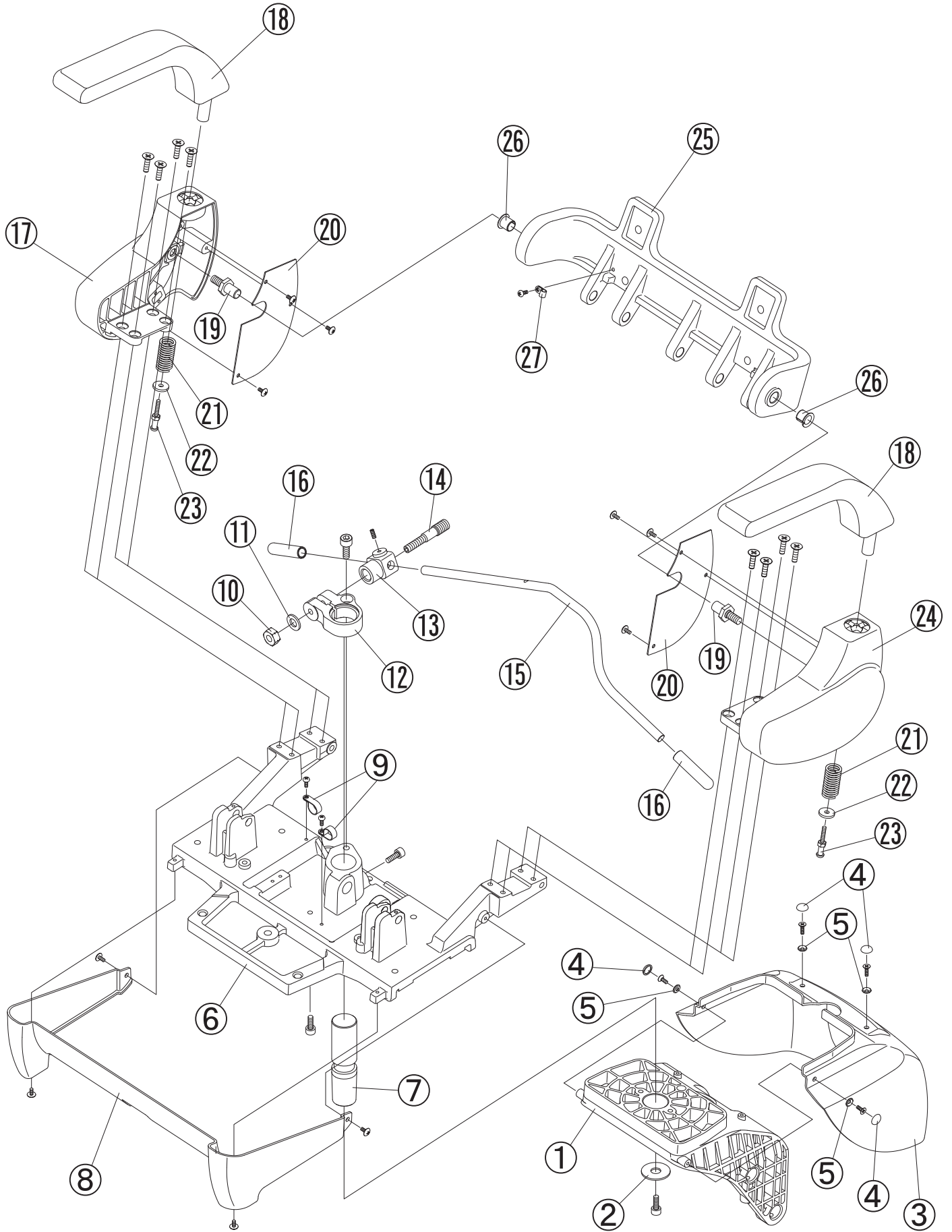
3. Base Section -3



3. Base Section -3

No.	Part No.	Description	Qty	Remark
1		Base Plate	1	DACA12A0
2		Link Bracket (right)	1	AADE01A0
3		Link Bracket (left)	1	AADE02A0
4		Bracket for Sub-Link Cover	2	DAQR02A0
5		Spacer 6 x 20L	2	DEQR03B0
6		DU Bushing K5B1812	10	AEAN06C0
7		Carriage Bar	1	DARJ59B0
8		Link Pin A	1	P-34400
9		Base Cylinder	1	DZRR03A0
10		Main Link	1	DARE41A0
11		Sub Link (right)	1	DAQJ02A0
12		Sub Link Pin	1	G-01230
13		Sub Link (left)	1	DAQJ03A0
14		Sub Link Pin	1	DAQR03A0
15		Volume Adjust Knob	1	DAQR04A0
16		Bracket for Volume	1	DAQR05A0
17	G-C0035	Potentiometer	1	ANDR35A0
18		Spacer	2	DAQR06B0
19		Switch Plate	1	G-00870
20	B10X6313	Micro Switch	1	DNBR78A0
21		Clamp 3/4	2	X-50540
22	C07DAQB02A0	Main Link Cover	1	AADB22A0
23	C07DAQE03A0	Sub Link Cover	1	DAQE03A0
24	C07HARE07A0	Sub Link Cover (lower)	1	HBBE06B0
25		Cylinder Pin (upper)	1	R-31950
26		Link Pin for Main Link	1	DAQJ05A0
27		Link Pin for Sub Link	1	DAQJ04A0
28		Spacer	2	AEFS06A0
29		Tube		X-70680
30		Flange	1	DACA16B0

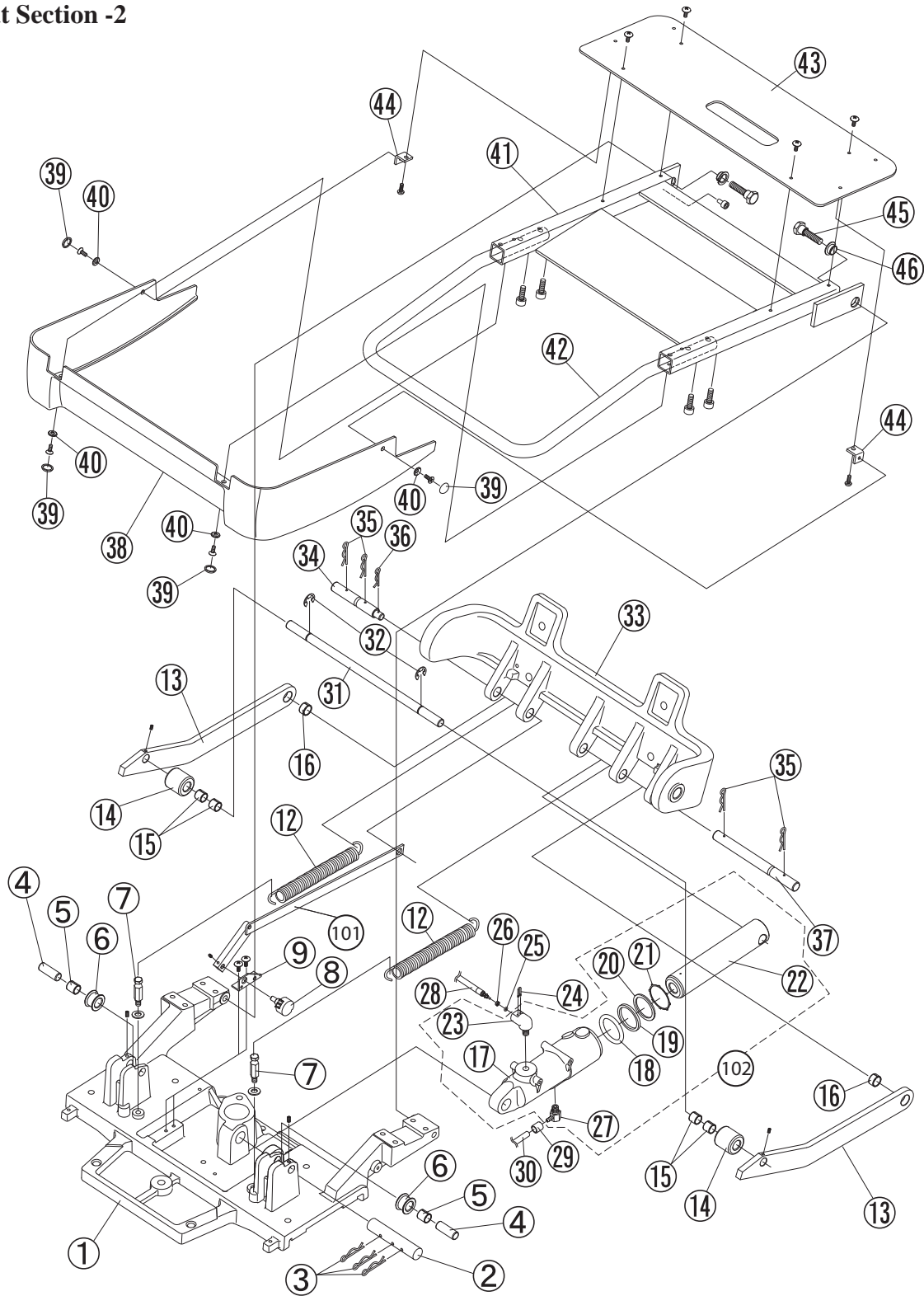
4. Seat Section -1



4. Seat Section -1

No.	Part No.	Description	Qty	Remark
1	B50DACA16A0	Flange	1	DACA16B0
2		Washer	1	AAET63A0
3	B50HACE66A0	Flange Cover	1	HACE66A0
4	B50DEAS15A0	Cap for screw (white)	4	DEAS15A0
5	B50DEAS14A0	Washer (white)	4	DEAS14A0
6		Rotating Flange	1	AADA14A0
7	B50DACR82A0	Rotating Shaft	1	DACR82A0
8	B50HACE67A0	Rotating Flange Cover	1	HACE67A0
9	B50Q31130	Clamp 5/8	2	Q-31130
10	B10U2102	Lock-Nut	1	U-21020
11		Washer M12	1	
12	B10E6017	Clamping Body	1	AAFK23A0
13	B50U35392	Lock-Nut	1	U-35390
14	B10F6104	Lock Shaft	1	F-61040
15	B10K3496	Lock Lever	1	DACE44B0
16	B10G0050	Lock Lever Cap	2	G-00500
17	B50DACA13A0	Side Frame (right)	1	DACA13B0
18	B10M3532G	Armrest	2	DARE44A0
19	B50DACR80A0	Rotating Shaft	2	DACR80A0
20		Side Cover (right/left)	1/1	AADJ13B0/ AADJ14B0
21	B10Q3505	Armrest Spring	2	Q-35050
22	B10Q3503	Flat Washer	2	Q-35030
23	AADR06B0	Screw	2	AADR06B0
24	B50DACA14A0	Side Frame (left)	1	DACA14B0
25	B50DACB24A0	Back Support	1	DACB24B0
26	B50AFNB07A0	DU BUSHING DUF1415-22	2	AFNB07C0
27		Clamp	1	X-50520

5. Seat Section -2

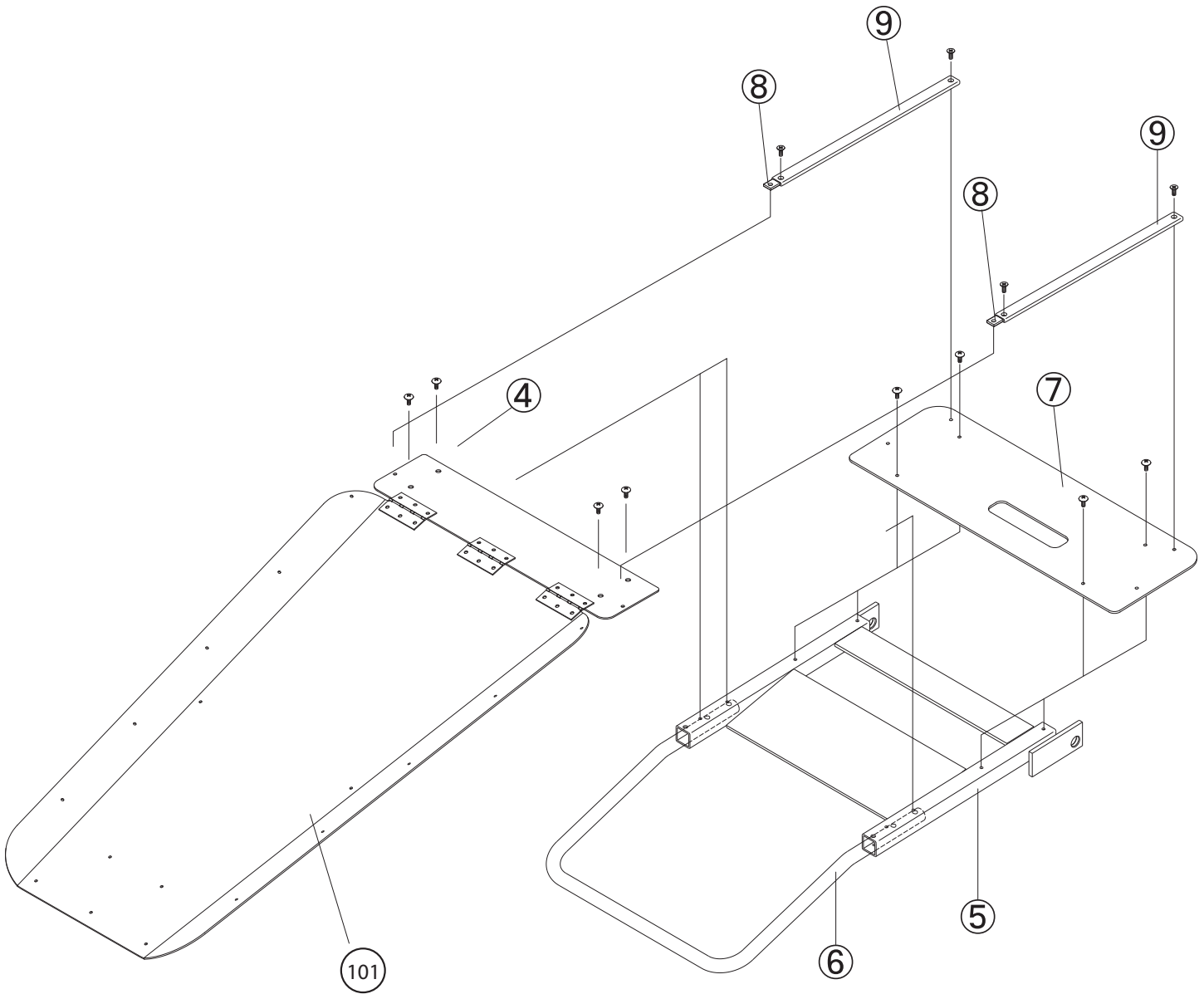


No.	Part No.	Description	Qty	Remark
1		Rotating Flange	1	DACA14B0
2		Reclining Cylinder Pin	1	U-3526
3		Cotter Pin	3	
4		Tilt Roller Pin	2	DACR81A0
5		DU Bushing DUB1215	2	AEES49B0
6		Roller	2	DARR16A0
7		Hook for spring	2	AAET37A0

5. Seat Section -2

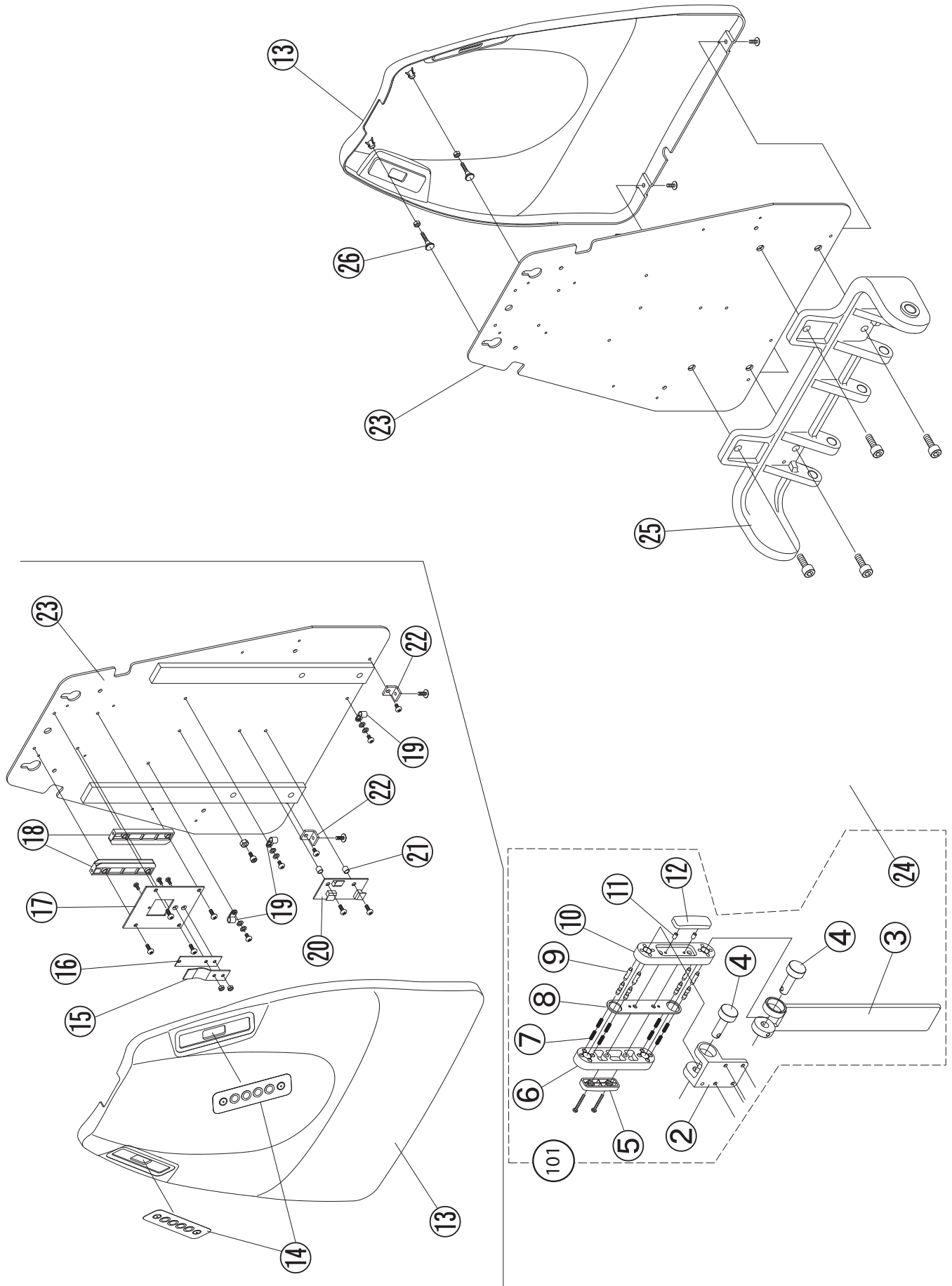
No.	Part No.	Description	Qty	Remark
8	G-0027	Potionmeter Ass'y	1	ANDR36A0
9		Potionmeter Bracket	1	AAFR20A0
10		Link for Volume (small)	1	AAFR02A0
11		Link for Volume (large)	1	AAEJ83A0
12	B10T3962	Reclining Spring	2	G-01300
13		Tilt Bar	2	AADE51B0
14	B50DABR26A0	Roller for Tilting	2	DABR26A0
15		DU Bushing DUB1212	4	AEES48B0
16		DU Bushing DUB1408	2	DEMS40AA
17		Reclining Cylinder	1	DAPF04A0
18		O-Ring 5.5 x 34.6 x 45.6	1	AENE25A0
19		Hex-Ring 41.4 x 34.6 x 3.5	1	DEAS42A0
20		Felt Ring	1	ABNJ86A0
21		Felt Ring Retainer	1	AAFR22A0
22		Ram Shaft (34.7 x 171L)	1	ERPJ03A0
23		Elbow (Elbow)	1	SALA05C0
24	B10Q6237	U-Pin	1	ABNL93B0
25	B10F3470	O-Ring	1	AEND86A0
26	B10Q6241	O-Ring Retainer	1	AANF59B0
27		Reclining Cylinder Nipple	1	AAES26A0
28		High Pressure Hose (to Solenoid Valve)	1	U-50350
29		Hose Sleeve	1	X-55140
30		High Pressure Hose (to Cylinder)	1	X-55130
31		Tilt Link Pin	1	DACJ57A0
32		E-Ring	2	
33		Back Support	1	DACB24B0
34		Pin for Reclining (small)	1	DACR79A0
35		Cotter Pin	4	
36		Cotter Pin	1	
37		Pin for Reclining (largel)	1	DACJ55A0
38	B50HACE68A0	Tilt Cover	1	HADA14A0
39		Cap for Screw (white)	4	DEAS15A0
40		Washer (white)	4	DEAS14A0
41		Seat Frame	1	AADB51A0
42		Legrest	1	AADB12A0
43		Seat Support Plate	1	DACE45C0
44		Bracket	1	AAER88A0
45		Bolt	2	DACR78A0
46		DU Bushing DUF1206-20	2	AFNB02C0
101	B10503906	Reclining link ass'y	1	APDP16A0
102	B10503721	Reclining cylinder ass'y	1	APDN19A0

6. Seat Top



No.	Part No.	Description	Qty	Remark
1		Seat Cushion	1	
2		Metal Seat (front)	1	DAPB29A0
3		Hinge	3	X-67600
4		Metal Seat (middle)	1	DACE37A0
5		Seat Frame	1	AADB51A0
6		Legrest	1	AADB12A0
7		Seat Support Plate	1	DACE45A0
8		Velcro Plate	2	DACJ56A0
9		Velcro Strip	2	DACJ65A0
101	AXEA02A0	Seat plate ass'y	1	ASEA02A0

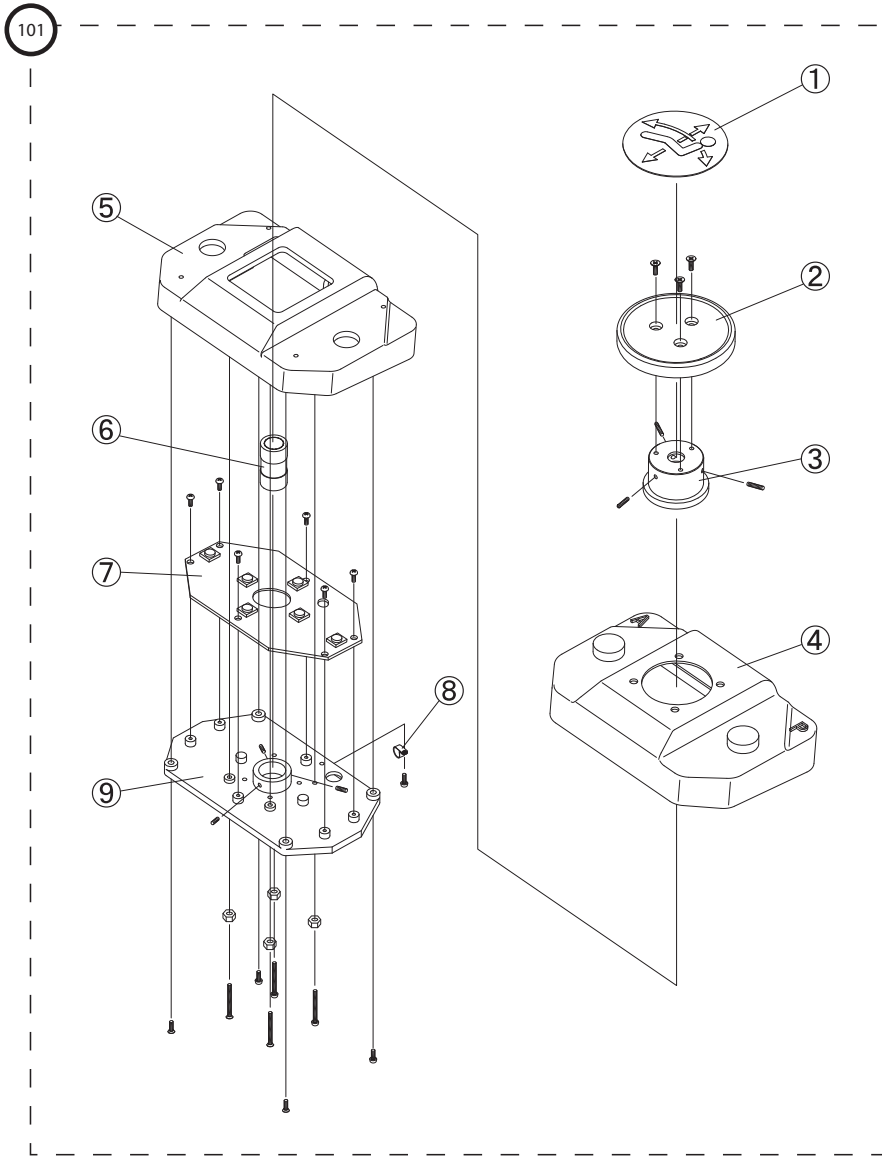
7. Headresta and backrest



7. Headresta and backrest

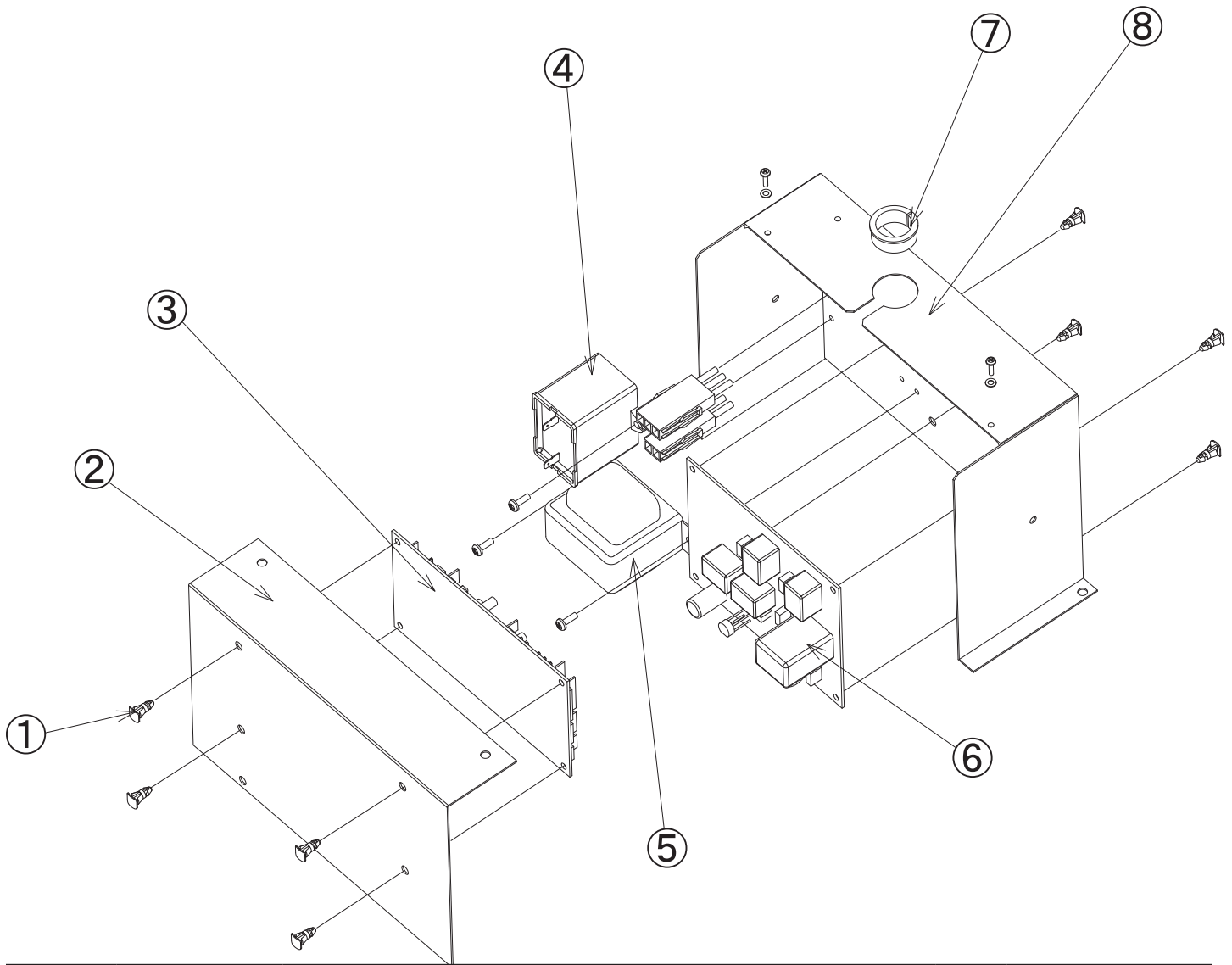
No.	Part No.	Description	Qty	Remark
1		Headrest Cushion	1	
2		Headrest Knuckle	1	AADR80B0
3		Headrest Bar	1	AADJ58A0
4		Link Pin	2	AADR82A0
5		Headrest Lever (right)	1	DAOR61B0
6		Headrest Link (right)	1	J-36901
7		Spring	8	F-63590
8		Lock Plate	1	AAET61A0
9		Pin	8	U-37990
10		Headrest Link (left)	1	J-36911
11		Spacer	2	AEFS06A0
12		Headrest Lever (left)	1	DAOR62B0
13	B50HBCE65A0	Backrest Cover	1	HBCE65B0
14	DACJ53A0	Membrane Switch	2	AADJ38B0
15	B10S3739	Spring	1	S-37390
16	B10S3740	Rubbing Block	1	S-37400
17	B10S3738	Spring Plate	1	AAET59A0
18	B10U3534	Headrest Guide	2	U-35340
19		Clamp	3	X-50520
20	B50DNRJ02A0	PCB TR-UNI98TI	1	DNRJ02B0
21		Spacer	2	AEFS09A0
22		Bracket	2	AAER88A0
23		Backrest Frame	1	DACB23A0
24		Backrest Cushion	1	
25		Back Support	1	DACB24B0
26	B50DAQR48A0	Bolt	2	DAQR48B0
101	B10350851W	Headrest Mechanism Ass'y (WHITE)	1	ASEA01A0

8. Foot Switch



No.	Part No.	Description	Qty	Remark
1	B10X7322	Label	1	R-32460
2	B10T3271G	Disk	1	DAOJ76A0
3	B10U3135	Cap	1	U-31350
4	B10K3276G	Rubber Cover	1	DAPE62A0
5	B10K3275	Foot Control Body	1	K-32750
6	B10U3180	Set Screw	1	AAFU87A0
7	B10X7898	Foot Switch P.C. Board	1	AGFR45A0
8		Clamp	1	X-50520
9	B10K3191	Switch Plate	1	K-31910
101	B50AYDR07A0	Foot switch ass'y	1	AYDR07A0

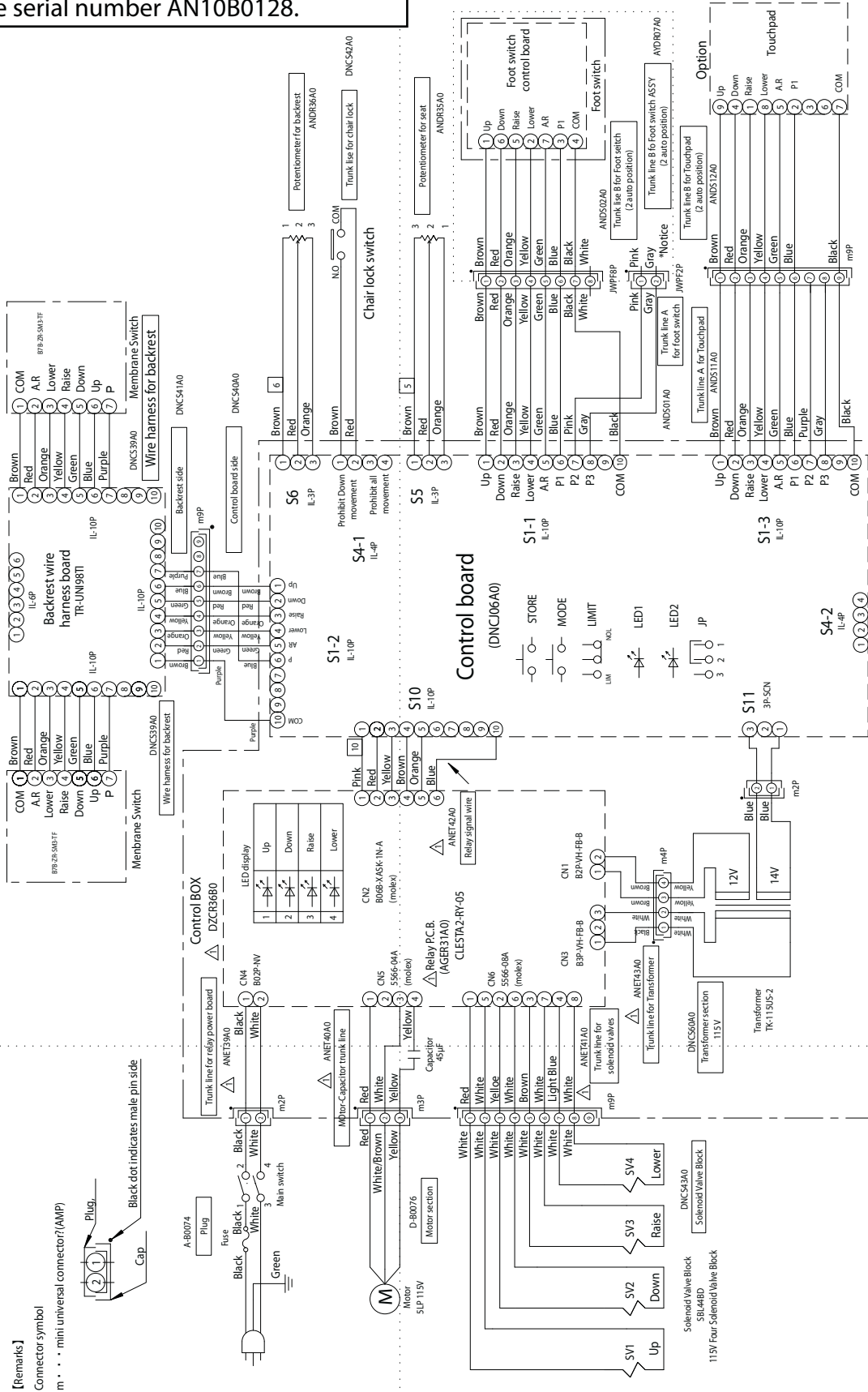
9. PC boards and transformers



No.	Part No.	Description	Qty	Remark
1		Spacer	8	DELR09AA
2		PCB Case	1	DACE02B0
3		Main P.C. Board	1	DNCJ06A0
4	B10X0052	MF Condenser 45μ 220VAC	1	AATP26A0
5-1	B10X2801	Transformer (115V) TK-115US-2 for chairs manufactured in February 2010 or older. Earlier than s/n AN10B0128.	1	X-28010
5-2		Transformer (120V) TK-120V-2H for chairs manufactured in February 2010 with S/N AN10B0128 or later	1	1G004VA0
6		Relay PC Board	1	AGER31A0
7		Bushing OCB100	1	XX-387240352
8		PCB Case	1	AAFF67A0

10 - 1. Electric Diagram No.1

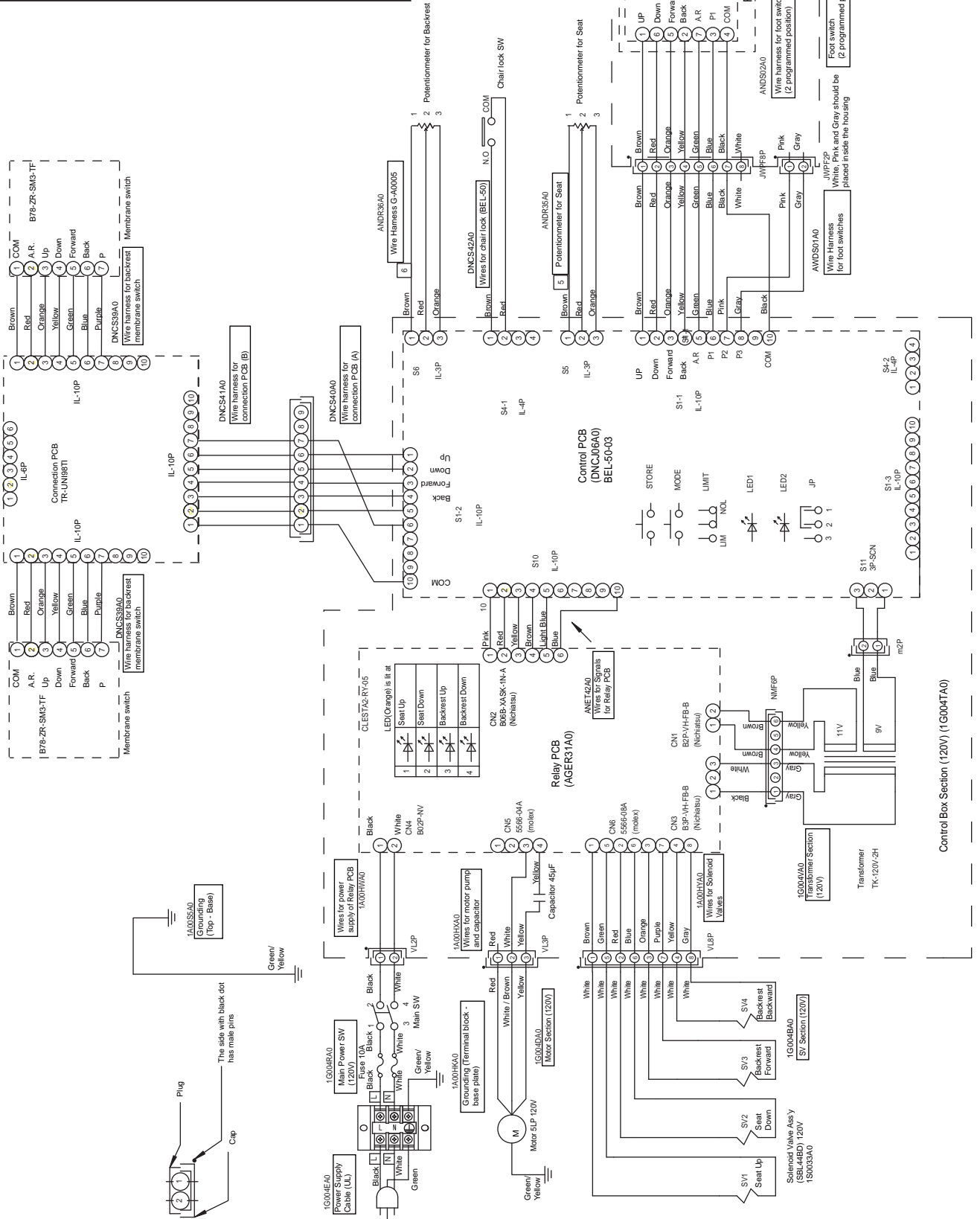
Manufactured in or earlier than Feb 2010.
Before serial number AN10B0128.



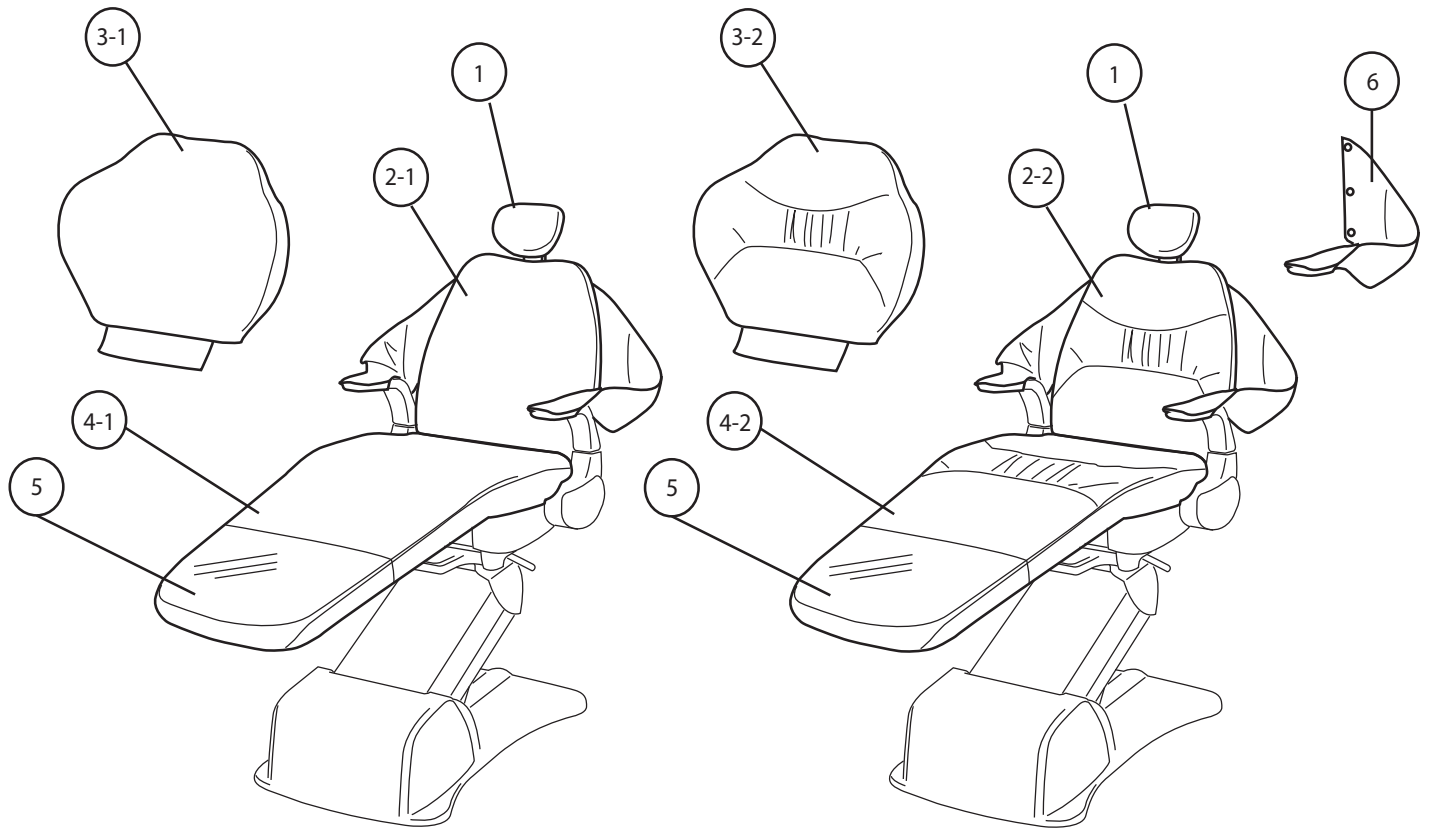
*Notice) White, Pink and Gray line has been connected in the housing for waterproof

10 - 2. Electric Diagram No.2

Manufactured in or later than Feb 2010
Serial number AN10B0128 and after



11. Upholstery Section



No.	Part No.	Description	
1	B20HR (+ Color code)	Headrest upholstery for replacement	1
2-1	SWSLBK(+ Color code)	Back rest (Standard, Narrow, with slings) upholstery for replacement	1
2-2	PWSLBK(+ Color code)	Back rest (Plush, Narrow, with slings) upholstery for replacement	1
3-1	SWOSBK (+ Color Code)	Back rest (Standard, Wide, without sling) upholstery for replacement	1
3-2	PWOSBK (+ Color Code)	Back rest (Plush, Wide, without sling) upholstery for replacement	1
4-1	SWST (+ Color code)	Seat upholstery, Standard, for replacement	1
4-2	PWST (+ Color code)	Seat upholstery, plush, for replacement	1
5	B20CVRHP	Legrest protector for replacement	1
6	B99SLG (+ Color code)	Removable slings (pair)	
	SWSL (+ Color code)	Complete upholstery set, Standard, containing narrow backrest with slings	
	PWSL (+ Color code)	Complete upholstery set, plush, containing narrow backrest with slings	
	SWOS (+ Color code)	Complete upholstery set, standard, containing wide backrest without sling	
	PWOS (+ Color code)	Complete upholstery set, plush, containing wide backrest without sling	

NOTE

Empty rounded rectangular box for notes.

BELMONT EQUIPMENT, Division of Takara Belmont USA, Inc.
101 Belmont Drive Somerset, New Jersey 08873 U.S.A. TEL.:(732) 469-5000 / (800) 223-1192

