



# INSTALLER'S GUIDE

## BDS-2561 LEFT/RIGHT DUO DELIVERY SYSTEM

Location for all the incoming utilities should be in accordance with the cabinet installation instructions.

### UTILITY CENTER

#### INSTALL UTILITY CENTER

1. Mount the utility center to the floor as shown by the Cabinet Installation Guide and Template.
2. Connect the master valves and tubings to their appropriate connections.

### IMPORTANT

**Before you connect the air and water lines to the unit, blow out these lines to insure that all debris is removed. This will prevent the valves and instruments from becoming clogged.**

### PANEL TEMPLATE

#### CUT OUT FOR UNIT

1. Fold the template in half. Cut out the shaded section and discard.
2. Place the template on the cabinet surface and level with a small 6" hand level.

3. While still holding the template in place, trace the outline of the cabinet area to be removed, then drill two pilot holes for the faceplate screws using the screw locations marked on the template. Remove the template.
4. Drill two starter holes within the outlined area and, following your lines, cut out an opening for the unit using a jig saw.

### DOCTOR'S & ASSISTANT'S DELIVERY SYSTEM

#### INSTALL ARM AND HOLDER SYSTEM

1. Locate mounting plate hole pattern under the sliding counter top and fasten the arm assembly to the under side using the 10-32 screws provided. Position the 90° handpiece tubing manifold towards back of the cabinet. See Figure 1.
2. Connect the delivery system umbilical tubing to the appropriate barbs on the panel mount unit.
3. Connect the panel mount umbilical tubings to the appropriate barbs on the floor utility.
4. Connect the foot control tubing to the appropriate barbs in the utility center.
5. Slide the panel mount unit into the opening in the cabinet. The tubing will act as a weight giving you time to check for any air or water leak.
6. Align the screw holes on the faceplate with the two pilot holes on the cabinet surface and secure the unit with two of the four #6 white head phillips wood screws provided.
7. Drill pilot holes for the other two screws. Insert them into the cabinet surface and tighten.

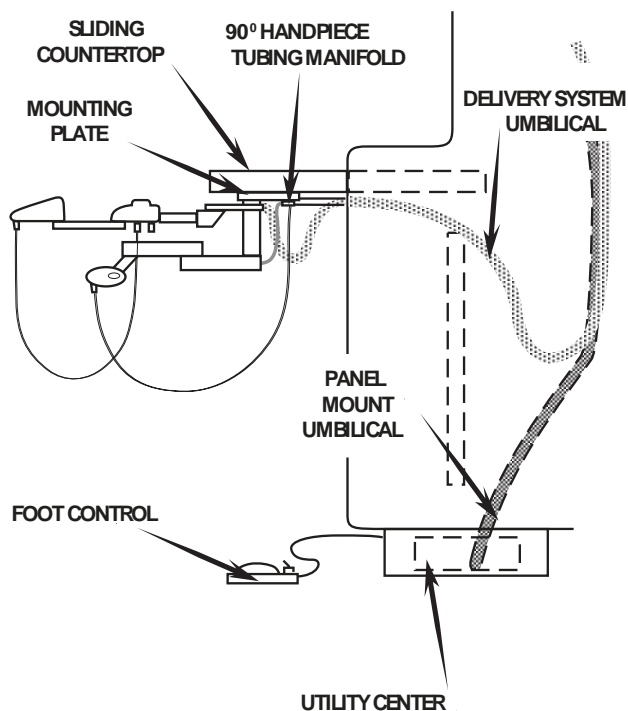
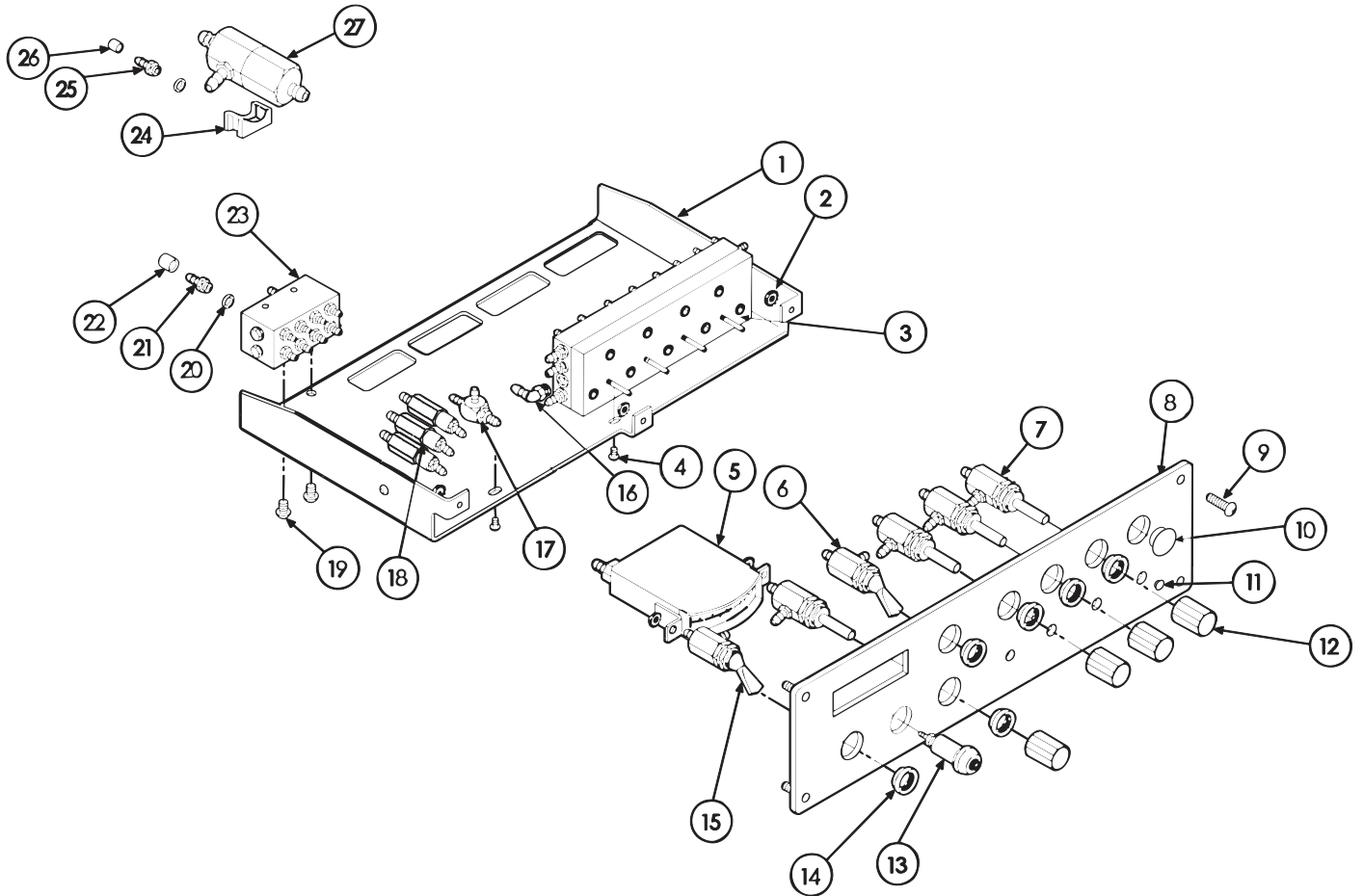


Figure 1. Doctor's & Assistant's delivery system.



A DIVISION OF TAKARA BELMONT USA, INC.  
101 Belmont Drive Somerset, NJ 08873  
Phone: (800) 223-1192 Fax: (732) 356-1035

# AUTOMATIC CONTROL (BELMONT BDS-2561)



REF. NO.	DESCRIPTION	PART NO.	QTY.
1	CHASSIS .....	2001-134	1
2	LOCKNUT .....	0013-007	5
3	QUAD BLOCK .....	1100-270	1
4	SCREW, 4-40 x 1/4 .....	0012-410	2
5	GAUGE .....	0020-023	1
6	TOGGLE VALVE .....	1100-464-X	1
7	NEEDLE VALVE .....	1100-100-X	4
8	FACEPLATE .....	2001-135	1
9	SCREW, 6 x 3/4 .....	0012-633	4
10	HOLE PLUG, 1/2" .....	0010-159	1
11	HOLE PLUG, .187 .....	0010-188	1
12	KNOB .....	0010-202	4
13	PNEUMATIC INDICATOR .....	0020-079	1
14	TRIM NUT .....	0013-016	6

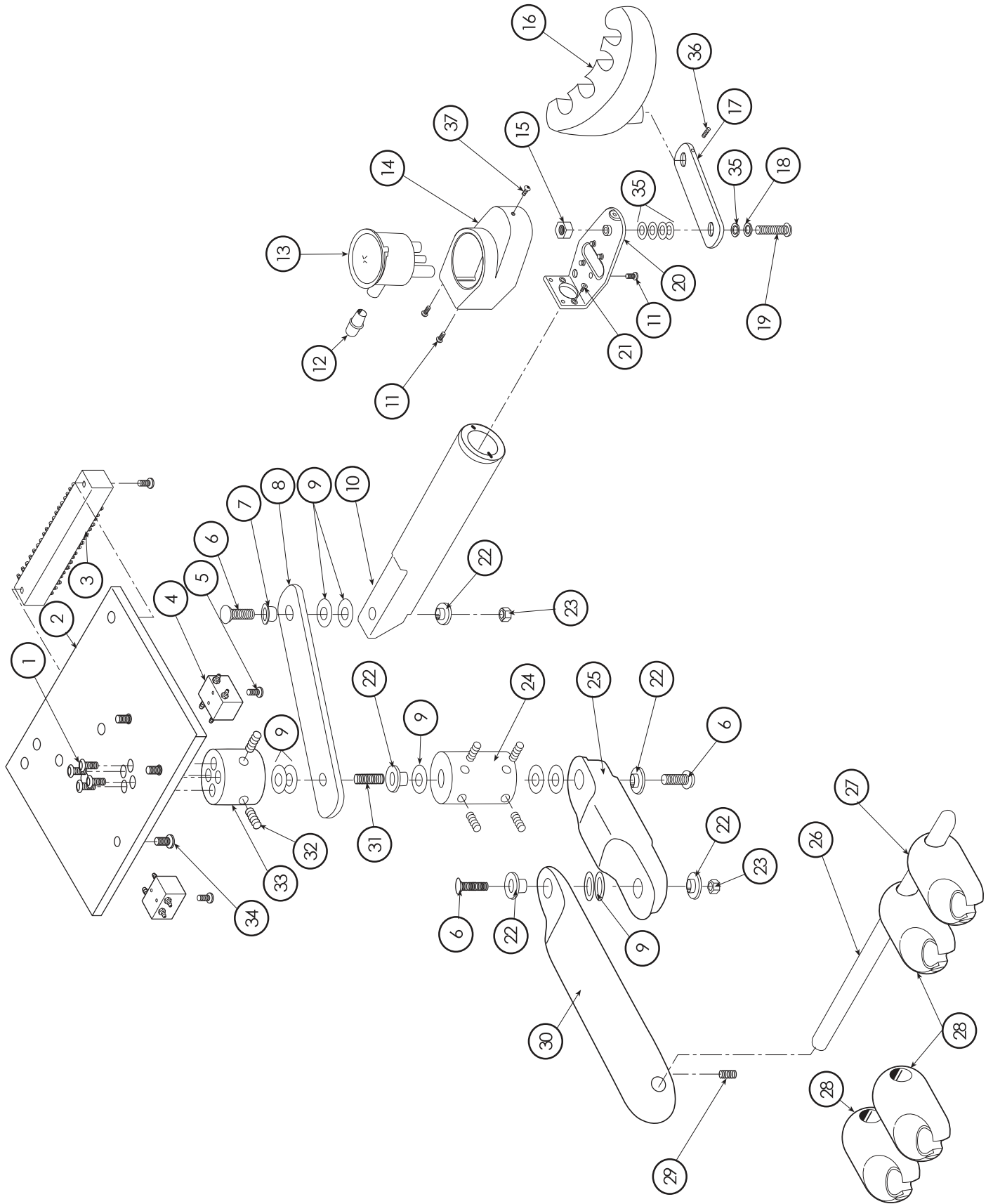
REF. NO.	DESCRIPTION	PART NO.	QTY.
15	TOGGLE VALVE .....	1100-400-X	1
16	PLASTIC ELBOW, 1/8 .....	0016-052	1
17	SHUTTLE VALVE .....	1100-140	1
18	CHECK VALVE .....	1100-105	3
19	SCREW, 6-32 x 1/4 .....	0012-012	3
20	PLASTIC WASHER .....	0016-066	1
21	BARB FITTING, 1/8 .....	0016-001	1
22	BARB FERRULE, LARGE .....	0016-004	1
23	DISTRIBUTION MANIFOLD .....	0016-220	1
24	TIE MOUNT .....	0019-041	1
25	BARB FITTING, 1/16 .....	0016-002	1
26	BARB FERRULE, SMALL .....	0016-003	1
27	WATER RELAY VALVE .....	1100-145	1

# BELMONT LEFT/RIGHT DUO UNIT ARM SYSTEM (BDS-2561)

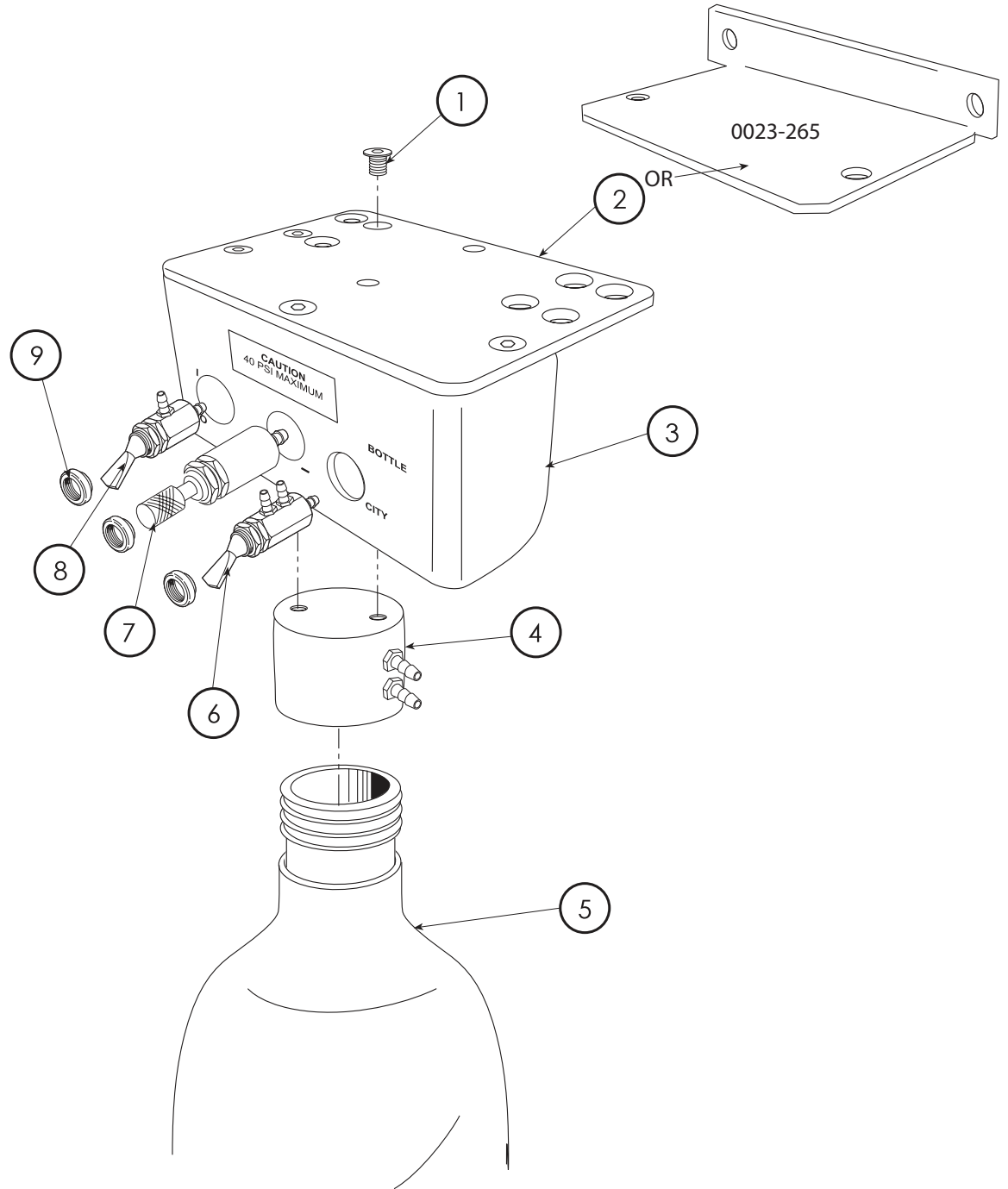
REF. NO.	DESCRIPTION	PART NO.	QTY.
1	SCREW, 10-32 x 3/4 .....	6012-112	4
2	SWING PLATE .....	0023-607	1
3	MANIFOLD, 4-HDPC, 1-SYRINGE .....	0016-450	1
4	FLOW ADJUSTMENT BLOCK .....	0016-092	2
5	SCREW, 6-32 x 3/4 .....	0012-612	4
6	SCREW, 3/8-16 x 1.5 BTTN HD .....	0012-357	3
7	PIVOT BUSHING .....	0006-037	1
8	LINK PIVOT .....	0023-606	1
9	PLASTIC WASHER .....	0011-013	8
10	VACUUM ARM PIVOT .....	0023-666	1
11	SCREW, 6-32 x 3/8 .....	0012-615	4
12	CONNECTOR .....	0016-253	1
13	LOCKING CV CANISTER .....	1400-133	1
14	VACUUM ARM COVER .....	0023-255	1
15	NYLOCK NUT .....	6013-010	1
16	ASSISTANCE HOLDER, BELMONT .....	FASA85A0	1
17	ARM .....	1110-793	1
18	PLASTIC WASHER .....	0011-027	1
19	SCREW, 1/4-20 x 1-1/2 .....	0012-263	1
20	VACUUM PLATE .....	0023-256	1
21	SCREW, 6-32 x 3/8 .....	0012-013	2
22	PIVOT BUSHING .....	0006-020	5
23	NYLON NUT, 3/8-16 .....	6013-012	2
24	HUB .....	0023-604	1
25	PIVOT ARM, DOCTORS .....	0023-667	1
26	HOLDER BAR .....	0024-098	1

REF. NO.	DESCRIPTION	PART NO.	QTY.
27	SYRINGE HOLDER .....	D4566	1
28	AUTO HOLDER .....	D4561	3
29	SCREW, 1/4-20 x 3/4 .....	0012-273	1
30	EXTENSION, PIVOT HOLDEER BAR .....	0023-668	1
31	SET SCREW, 3/8-16 x 1 1/4 .....	0012-383	1
32	SET SCREW, 10-32 x 1/2 .....	0012-151	6
33	HUB .....	0023-669	1
34	SCREW, 10-32 x 3/4 .....	0012-101	4
35	WASHER, PLASTIC 1" DIA. ....	0011-016	5
36	SET SCREW, 6-32 x 1/4 .....	0012-605	1
37	SCREW, 6-32 x 3/8 .....	0012-615	1

# BELMONT LEFT/RIGHT DUO UNIT ARM SYSTEM (BDS-2561)

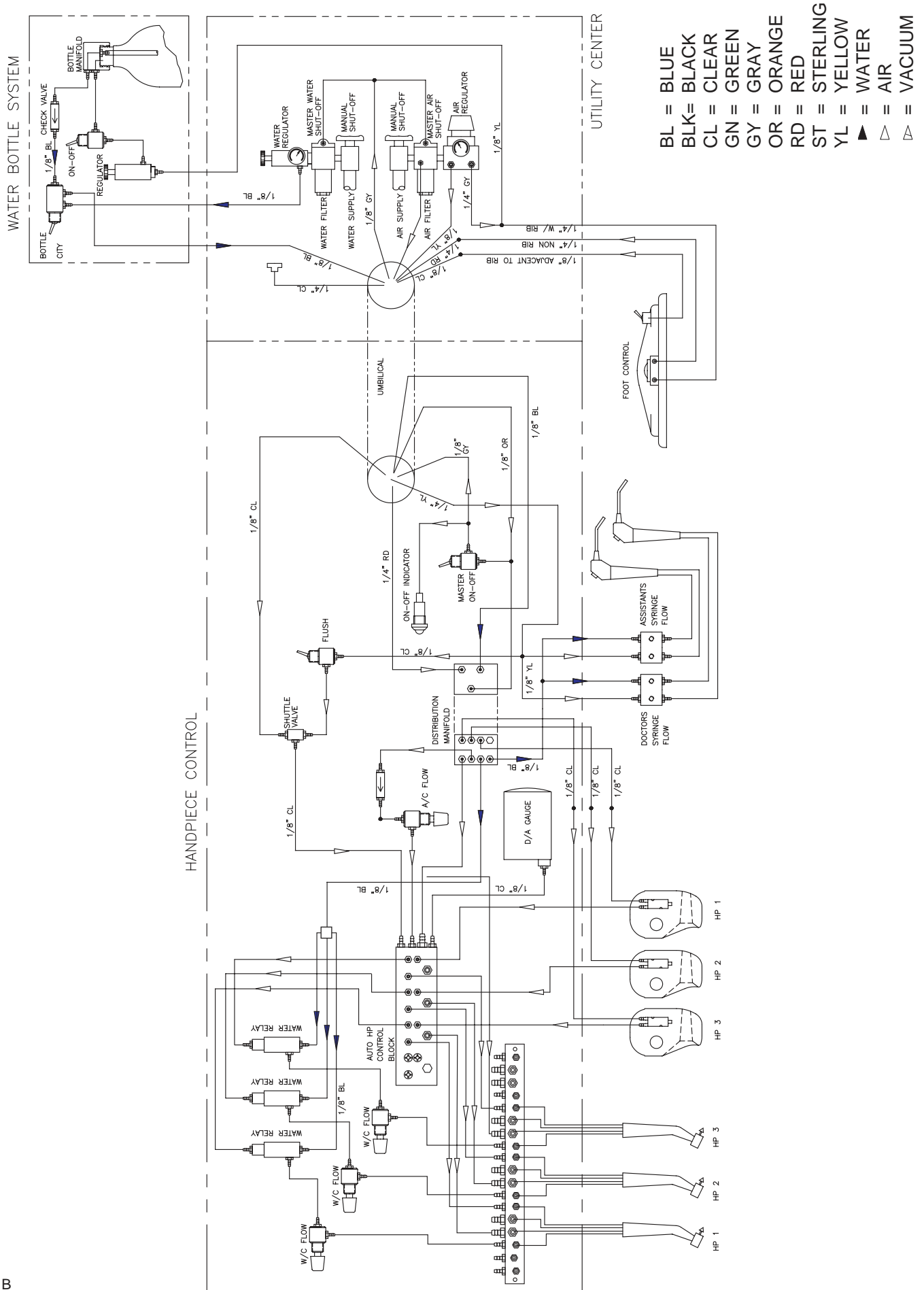


# SINGLE WATER BOTTLE SYSTEM (90-055)



REF. NO.	DESCRIPTION	PART NO.	QTY.
1	SCREW, 10-32 x 3/8 FLAT HEAD .....	0012-137	5
2	BRACKET .....	0023-244	1
3	ADAPTER PLATE .....	0023-247	1
4	PRESSURE HEAD ASSEMBLY .....	1100-281	1
5	BOTTLE, 1 LITER .....	P18111L	1
6	ROUTING VALVE .....	1100-404-F	1
7	REGULATOR .....	0020-029	1
8	ON/OFF TOGGLE SWITCH .....	1100-403-F	1
9	TRIM NUT .....	0013-016	3

# AUTOMATIC CONTROL SYSTEM SCHEMATIC (BDS-2561 3-4 HANDPIECE)





3-4 HP AUTOMATIC PANEL MOUNT CUTOUT TEMPLATE (MODEL BDS-2561)

