

INSTALLER'S GUIDE

BDS-2563 LEFT/RIGHT ASSISTANT'S INSTRUMENTATION

Location for all the incoming utilities should be in accordance with the cabinet installation instructions.



UTILITY CENTER

INSTALL UTILITY CENTER

1. Mount the utility center to the floor as shown by the Cabinet Installation Guide and Template.
2. Connect the master valves and tubings to their appropriate connections.

IMPORTANT

Before you connect the air and water lines to the unit, blow out these lines to insure that all debris is removed. This will prevent the valves and instruments from becoming clogged.

ASSISTANT'S INSTRUMENTATION

INSTALL ARM AND HOLDER SYSTEM

1. Locate mounting plate hole pattern under the sliding counter top and fasten the arm assembly to the under side using the 10-32 screws provided. Route the umbilical to the utility center. See *Figure 1*.
2. Install the self-contained water system and route its umbilical to the utility center. Connect the water system tubings to their appropriate connections.
3. Make all appropriate tubing connections for the delivery systems.

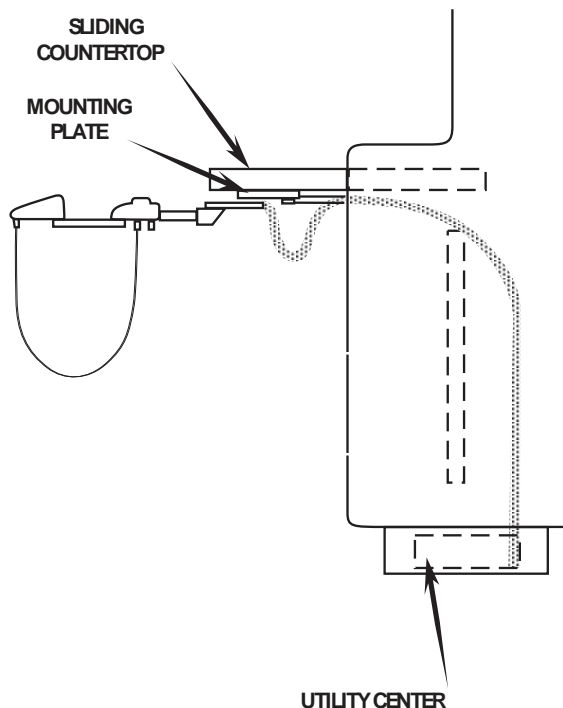
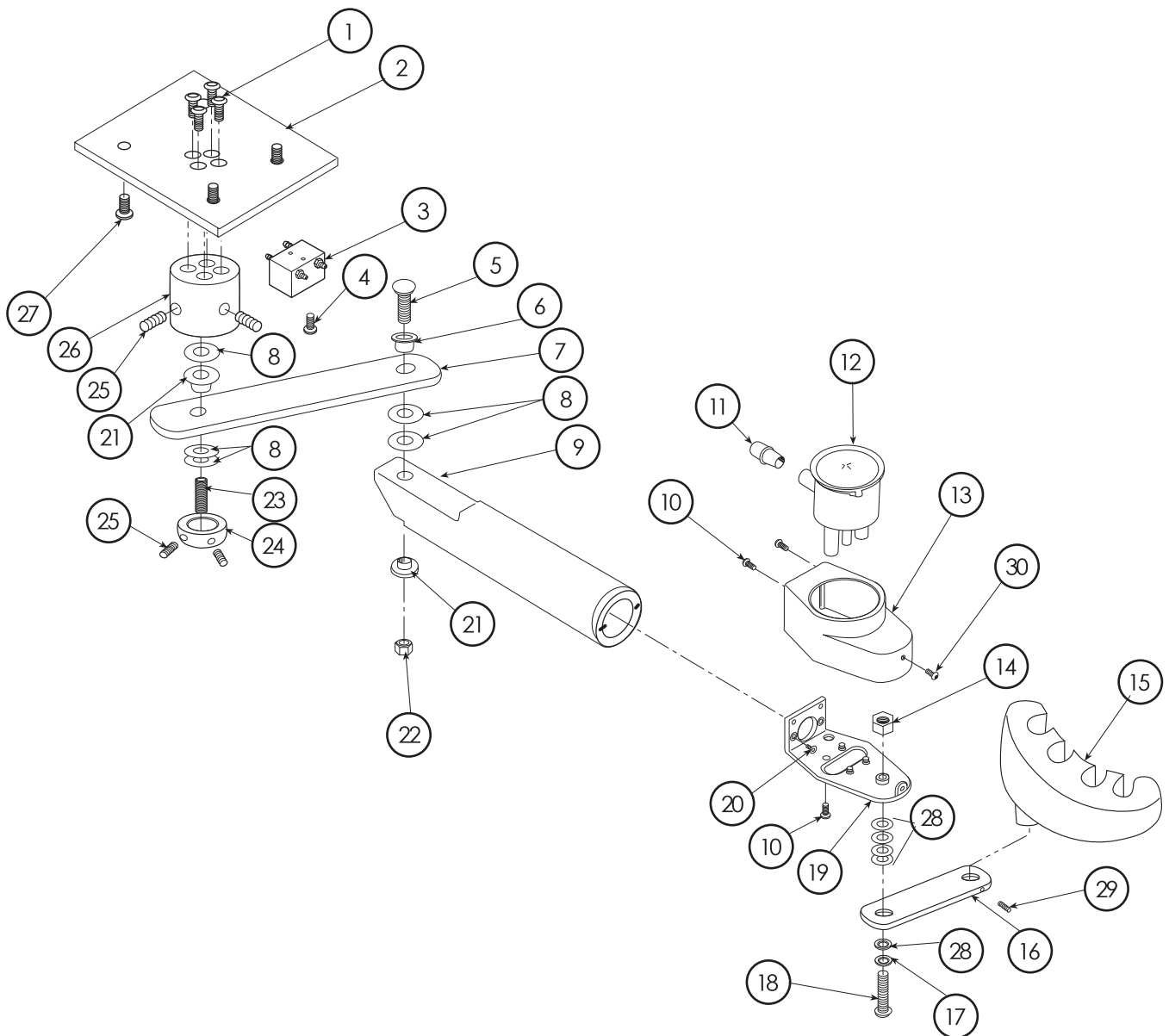


Figure 1. Left/Right Assistant's Instrumentation.



A DIVISION OF TAKARA BELMONT USA, INC.
101 Belmont Drive Somerset, NJ 08873
Phone: (800) 223-1192 Fax: (732) 356-1035

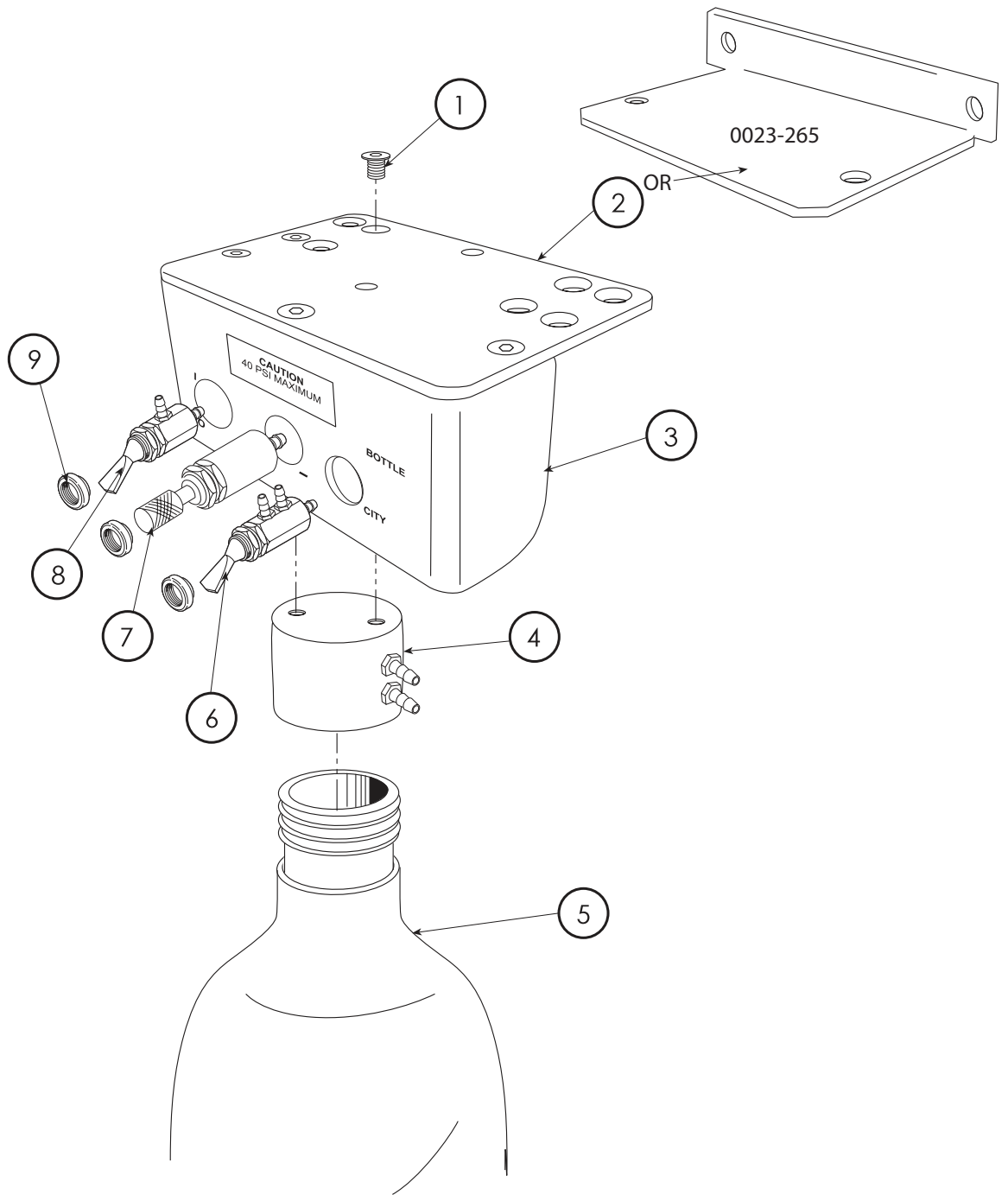
LEFT/RIGHT ASSISTANT'S DELIVERY SYSTEM (BDS-2563)



REF. NO.	DESCRIPTION	PART NO.	QTY.
1	SCREW, 10-32 x 1/2	0012-107	4
2	SWING PLATE	0023-271	1
3	FLOW ADJUSTMENT BLOCK	0016-092	1
4	SCREW, 6-32 x 3/4	0012-612	1
5	SCREW, 3/8-16 x 1.5 BTTN HD	0012-357	1
6	PIVOT BUSHING	0006-037	1
7	LINK PIVOT	0023-606	1
8	PLASTIC WASHER	0011-013	5
9	VACUUM ARM PIVOT	0023-666	1
10	SCREW, 6-32 x 3/8	0012-615	4
11	CONNECTOR	0016-253	1
12	LOCKING CV CANISTER	1400-133	1
13	VACUUM ARM COVER	0023-255	1
14	NYLOCK NUT	6013-010	1
15	ASSISTANCE HOLDER, BELMONT	FASA85A0	1
16	ARM	1110-793	1
17	PLASTIC WASHER	0011-027	1
18	SCREW, 1/4-20 x 1-1/2	0012-263	1

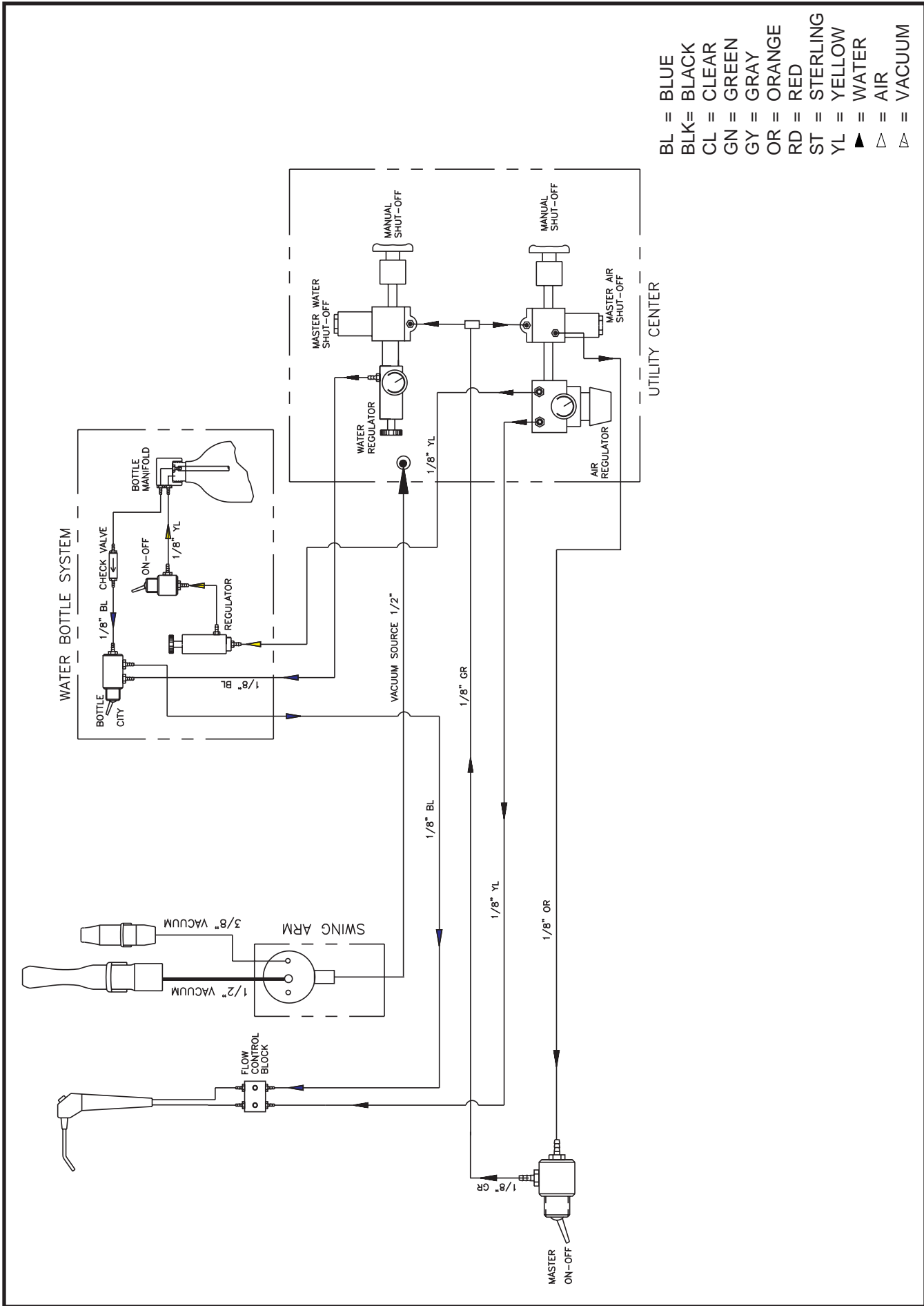
REF. NO.	DESCRIPTION	PART NO.	QTY.
19	VACUUM PLATE	0023-256	1
20	SCREW, 6-32 x 3/8	0012-013	2
21	PIVOT BUSHING	0006-020	2
22	NYLON NUT, 3/8-16	6013-012	1
23	SET SCREW 3/8-16 X 2	0012-362	1
24	PIVOT CAP	0023-605	1
25	SET SCREW, 10-32 x 1/2	0012-151	4
26	HUB	0023-669	1
27	SCREW, 10-32 x 3/4	0012-101	4
28	WASHER, PLASTIC 1" DIA.	0011-016	5
29	SET SCREW, 6-32 x 1/4	0012-605	1
30	SCREW, 6-32 x 3/8	0012-615	1

SINGLE WATER BOTTLE SYSTEM (90-055)



REF. NO.	DESCRIPTION	PART NO.	QTY.
1	SCREW, 10-32 x 3/8 FLAT HEAD	0012-137	5
2	BRACKET	0023-244	1
3	ADAPTER PLATE	0023-247	1
4	PRESSURE HEAD ASSEMBLY	1100-281	1
5	BOTTLE, 1 LITER	P18111L	1
6	ROUTING VALVE	1100-404-F	1
7	REGULATOR	0020-029	1
8	ON/OFF TOGGLE SWITCH	1100-403-F	1
9	TRIM NUT	0013-016	3

ASSISTANT'S DELIVERY SYSTEM SCHEMATIC (BDS-2563)



07/19/01

ASSISTANT'S DELIVERY SYSTEM SCHEMATIC MODEL BDS-2563

Rev. 0