

INSTALLER'S GUIDE

BDS-2564 HANDPIECE CONTROL SYSTEM

UNIT INSTALLATION

INSTALL ARM AND HOLDER SYSTEM

1. Fasten the unit swivel plate to the underside of the sliding work surface using the four 10-24 machine screws provided. *See Figure 1.*
2. Route the unit umbilical through the cabinet to the floor utilities and make the proper connections.

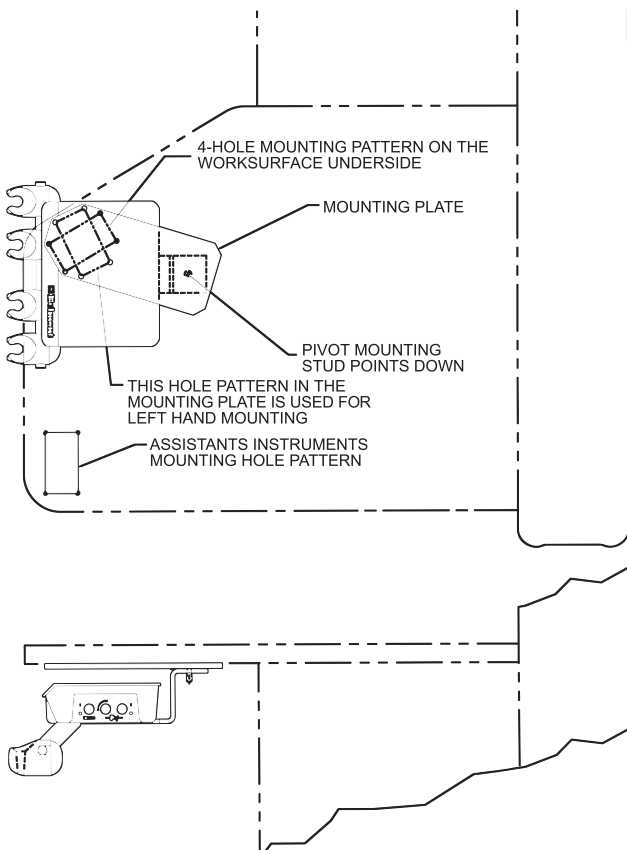


Figure 1. Installing the unit.

REPLACING HANDPIECE TUBING (*See Figure 2.*)

1. Remove the control from the swivel bracket.
2. Remove the lid from the handpiece control.
3. Open the handpiece tubing packages, measure the length needed and snip.
4. Feed the tubing up through the hole in the handpiece control and connect the tubing to the appropriate barb connections on the tri-block.
5. Repeat Step 3 for the remaining tubings.
6. After the tubings are connected and there are no leaks, replace the lid.

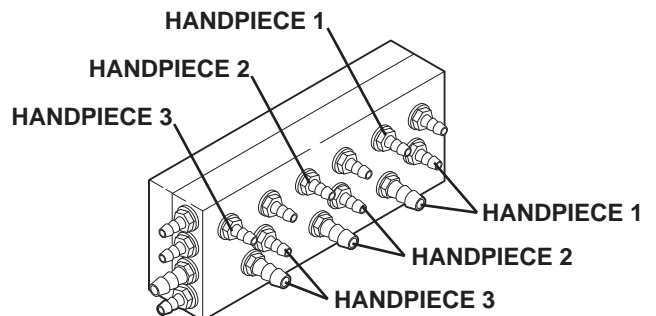
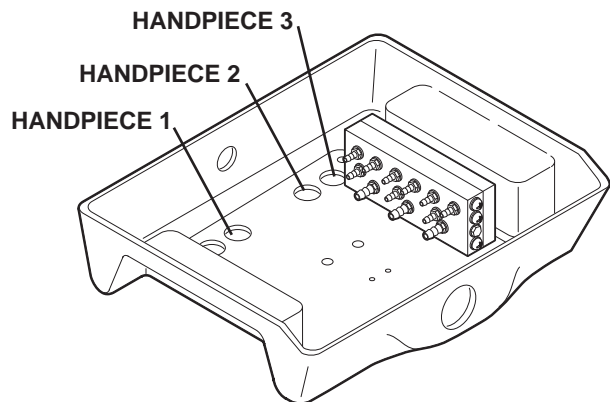
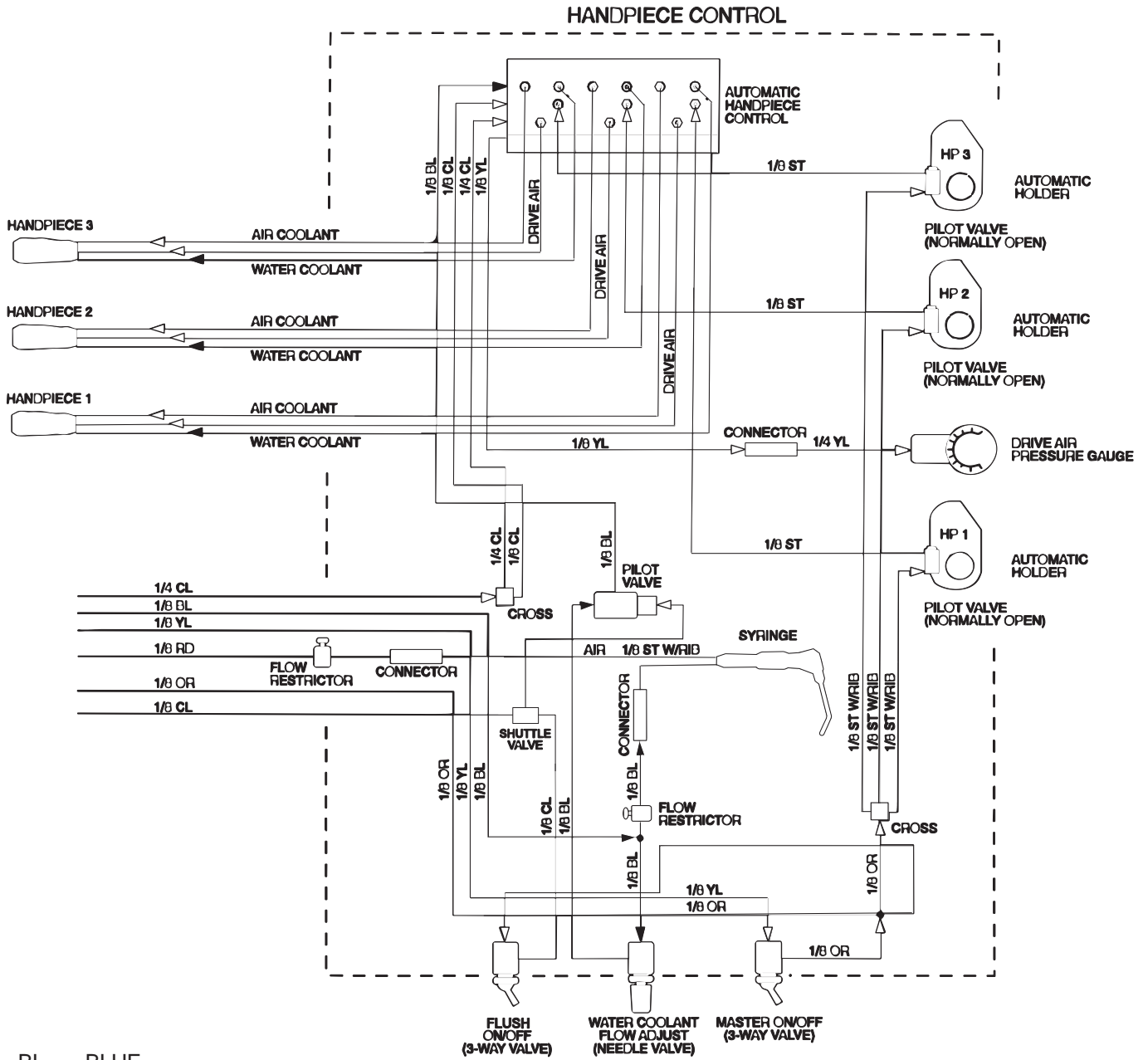


Figure 2. Installing the handpiece tubing.



A DIVISION OF TAKARA BELMONT USA, INC.
101 Belmont Drive Somerset, NJ 08873
Phone: (800) 223-1192 Fax: (732) 356-1035

AUTOMATIC CONTROL SCHEMATIC (BELMONT BDS-2564)



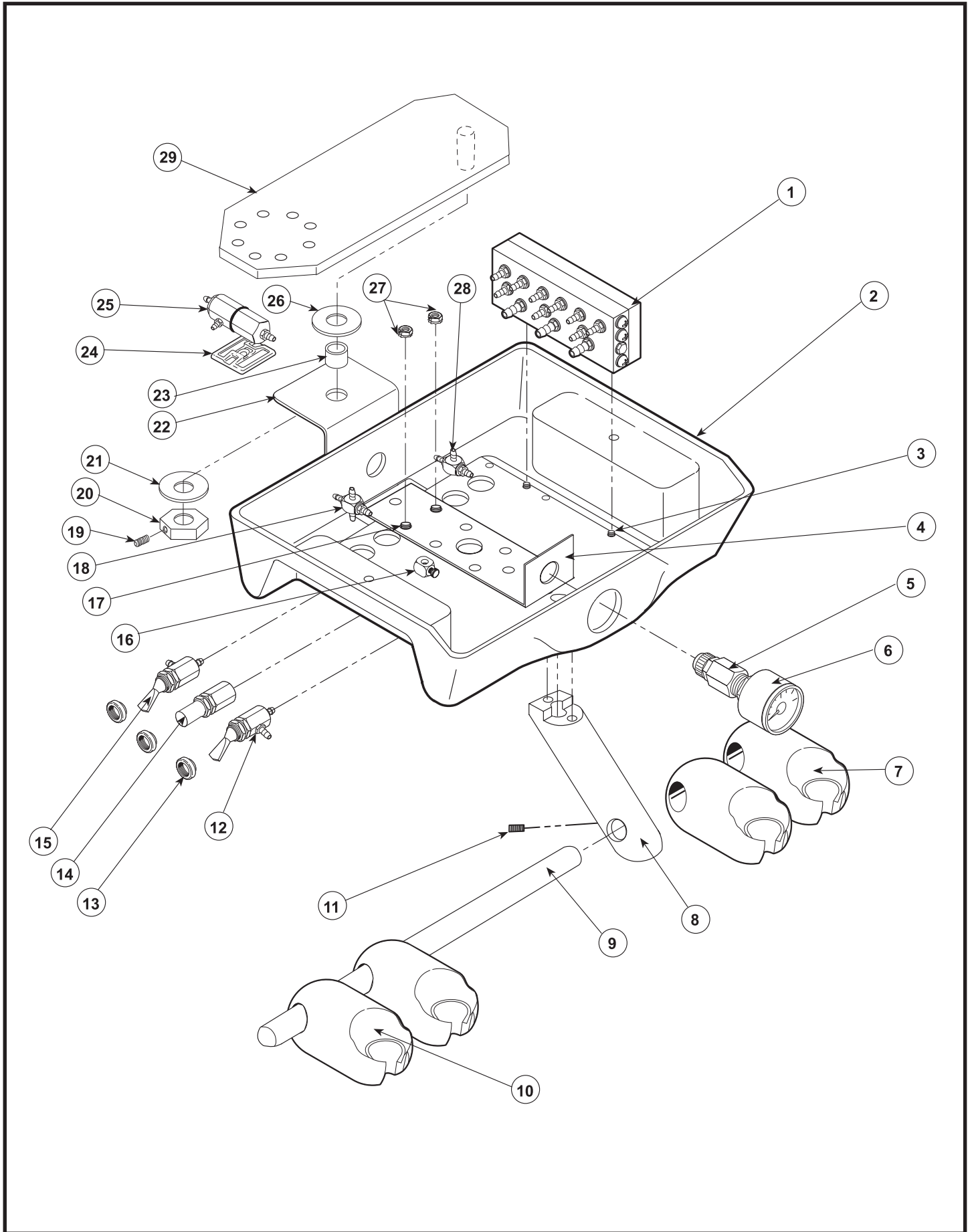
- BL = BLUE
- CL = CLEAR
- GN = GREEN
- GY = GRAY
- OR = ORANGE
- RD = RED
- ST = STERLING
- YL = YELLOW
- ▶ = WATER
- ▽ = AIR
- ▽ = VACUUM

DOCTOR'S HANDPIECE CONTROL (BELMONT BDS-2564)

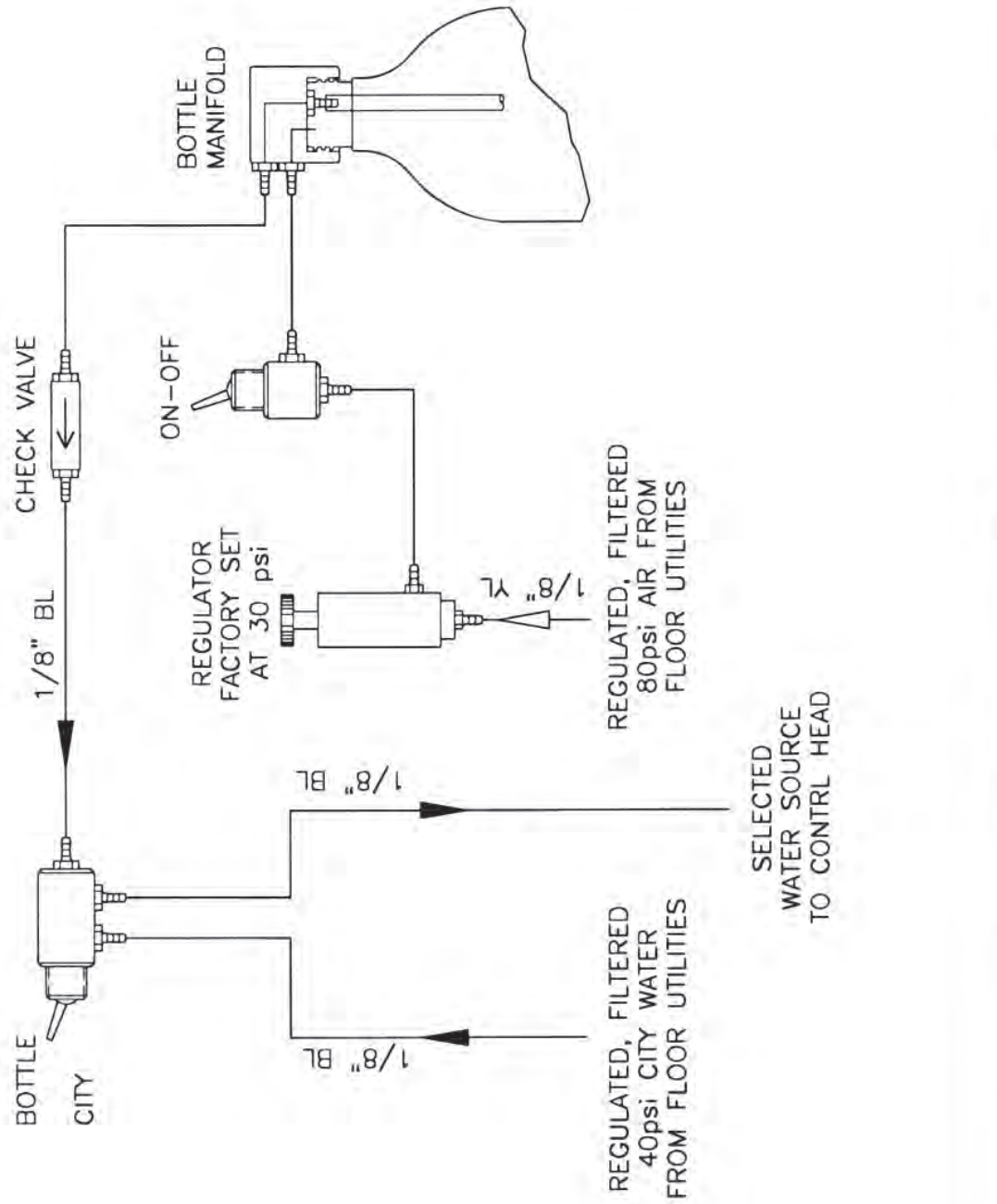
REF. NO.	DESCRIPTION	PART NO.	QTY.
1	AUTOMATIC HANDPIECE CONTROL, TRI-BLOCK	1100-170	1
2	CONTROL HOUSING	0023-609	1
3	SCREW, 4-40 x 1/4" ALLEN BUTTON HEAD	0012-410	2
4	GAUGE BRACKET CONTROL	0023-529	1
5	FITTING, 1/4" POLY x 1/8" FPT	0016-006	1
6	7/8" DIA. GAUGE	0020-030	1
7	AUTOMATIC HP HOLDER	D4561	3
8	HOLDER BAR EXTENSION	0024-162	1
9	HOLDER BAR	0024-075	1
10	SYRINGE HOLDER	D4566	1
11	SCREW, 1/4-20 x 1/4" S.S. SET SCREW	0012-250	1
12	TOGGLE VALVE, ON/OFF, 3-WAY, OUTPORT	1100-401-X	1
13	DECORATIVE TRIM NUT, SMOOTH, SILVER	0013-016	3
14	NEEDLE VALVE ASSEMBLY	1100-100-X	1
15	TOGGLE VALVE, ON/OFF, 3-WAY, OUTPORT	1100-400-X	1
16	FLOW RESTRICTOR	1100-130	1
17	SCREW, 10-32 x 3/8" S.S. BUTTON HEAD	0012-136	4
18	FITTING, 10-32, 4-WAY CROSS, FEMALE	0016-060	2
19	SCREW, 10-32	0012-021	1
20	NUT, LOCKING	0013-024	1
21	WASHER 1"	0011-016	1
22	UNIT BRACKET	0023-602	1
23	BUSHING	0006-015	1
24	RETAINER	0019-039	1
25	WATER PILOT VALVE, 2 WAY, W/O EXHAUST,	1100-145	1
26	WASHER, 2"	0011-015	1
27	NUT, 10-32, KEP, ZINC	0013-008	2
28	SHUTTLE VALVE	1100-140	1
29	SWIVEL BRACKET	0023-610	1

NO.	EXTRA PARTS NOT SHOWN IN DRAWING DESCRIPTION	PART NO.	QTY.
30	10-32 x 1/8", LARGE BARB	0016-001	2
31	10-32 x 1/16", SMALL BARB	0016-002	8
32	1/8 I.D. SLEEVE (SMALL FERRULE)	0016-003	19
33	1/4 I.D. SLEEVE (LARGE FERRULE)	0016-004	3
34	BARB, TEE, 1/16, PLASTIC	0016-055	2
35	BARB, CONNECTOR, 1/16 x 1/16, BRASS	0016-058	1
36	PLASTIC WASHER FOR 10-32	0016-066	10
37	ADJUSTABLE TIE, 4"	0016-067	2
38	BARB, REDUCING, 1/8" TO 1/16"	0016-108	1
39	INTERCONNECT TUBING, 1/8" O.D., YELLOW	0017-201	FT
40	INTERCONNECT TUBING, 1/4" O.D., YELLOW	0017-290	FT
41	INTERCONNECT TUBING, 1/8" O.D., BLUE	0017-401	4
42	INTERCONNECT TUBING, 1/8" O.D., CLEAR	0017-601	5
43	INTERCONNECT TUBING, 1/4" O.D., CLEAR	0017-690	3
44	SYRINGE, OBLATE, 2 HOLE, STERLING	0017-935	FT
45	PLASTIC KNOB, STYLE II, GRAY	0010-202	1

DOCTOR'S HANDPIECE CONTROL (BELMONT BDS-2564)



SINGLE WATER BOTTLE SCHEMATIC (BELMONT BDS-2564)

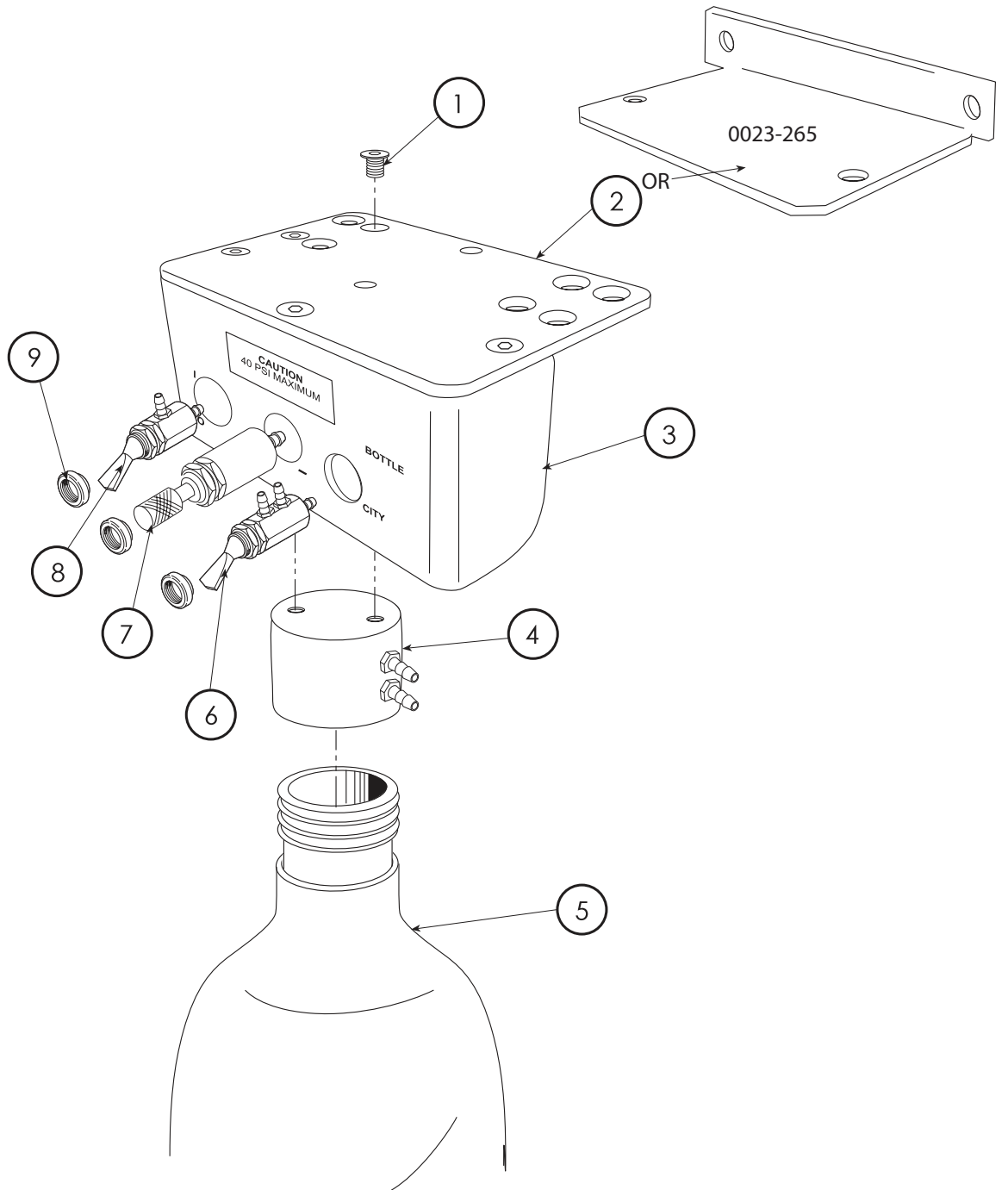


- BL = BLUE
- BLK= BLACK
- CL = CLEAR
- GN = GREEN
- GY = GRAY
- OR = ORANGE
- RD = RED
- ST = STERLING
- YL = YELLOW
- ▲ = WATER
- △ = AIR
- △ = VACUUM

03/01/01

SINGLE WATER BOTTLE SCHEMATIC

SINGLE WATER BOTTLE SYSTEM (90-055)



REF. NO.	DESCRIPTION	PART NO.	QTY.
1	SCREW, 10-32 x 3/8 FLAT HEAD	0012-137	5
2	BRACKET	0023-244	1
3	ADAPTER PLATE	0023-247	1
4	PRESSURE HEAD ASSEMBLY	1100-281	1
5	BOTTLE, 1 LITER	P18111L	1
6	ROUTING VALVE	1100-404-F	1
7	REGULATOR	0020-029	1
8	ON/OFF TOGGLE SWITCH	1100-403-F	1
9	TRIM NUT	0013-016	3