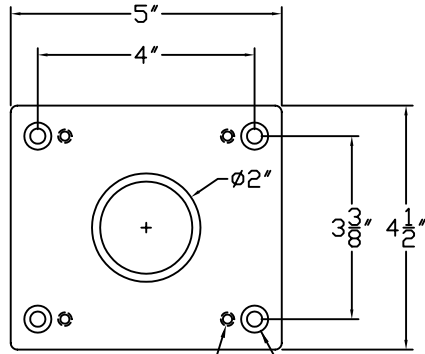
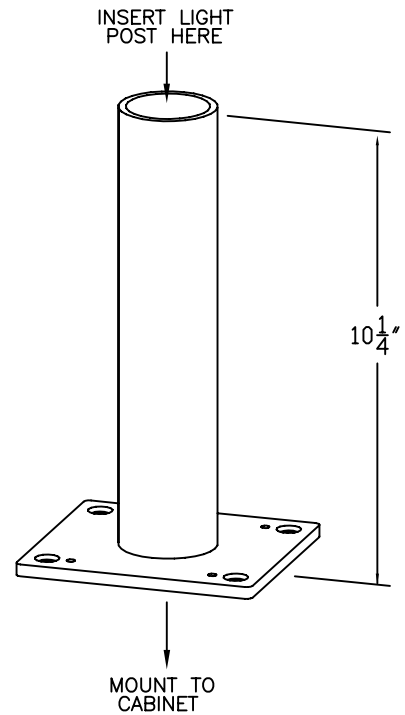


**AL507N CLESTA DENTAL LIGHT**  
**LIGHT MOUNTING BRACKET – P24250**  
 OUTSIDE CABINET MOUNTING POST  
 (MANUFACTURER'S RECOMMENDED MOUNTING HEIGHT – 72")

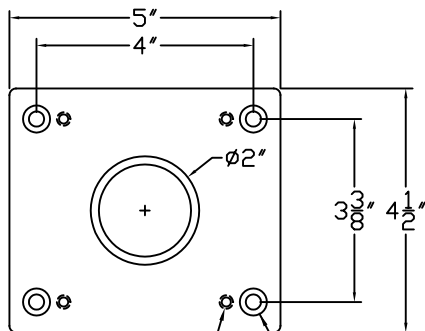


TAP 1/4-20 THRU  
4 PLCS. – USE FOR  
LEVELING THE BRACKET

9/32"Ø THRU  
C'SNK. FOR 1/4-20 F.H. SCR.  
4 PLCS. – FOR MOUNTING  
BRACKET TO CABINET



**AL507N CLESTA DENTAL LIGHT**  
**LIGHT MOUNTING BRACKET – P24270**  
 INSIDE CABINET MOUNTING POST  
 (MANUFACTURER'S RECOMMENDED MOUNTING HEIGHT – 82")



TAP 1/4-20 THRU  
4 PLCS. – USE FOR  
LEVELING THE BRACKET

9/32"Ø THRU  
C'SNK. FOR 1/4-20 F.H. SCR.  
4 PLCS. – FOR MOUNTING  
BRACKET TO CABINET

