

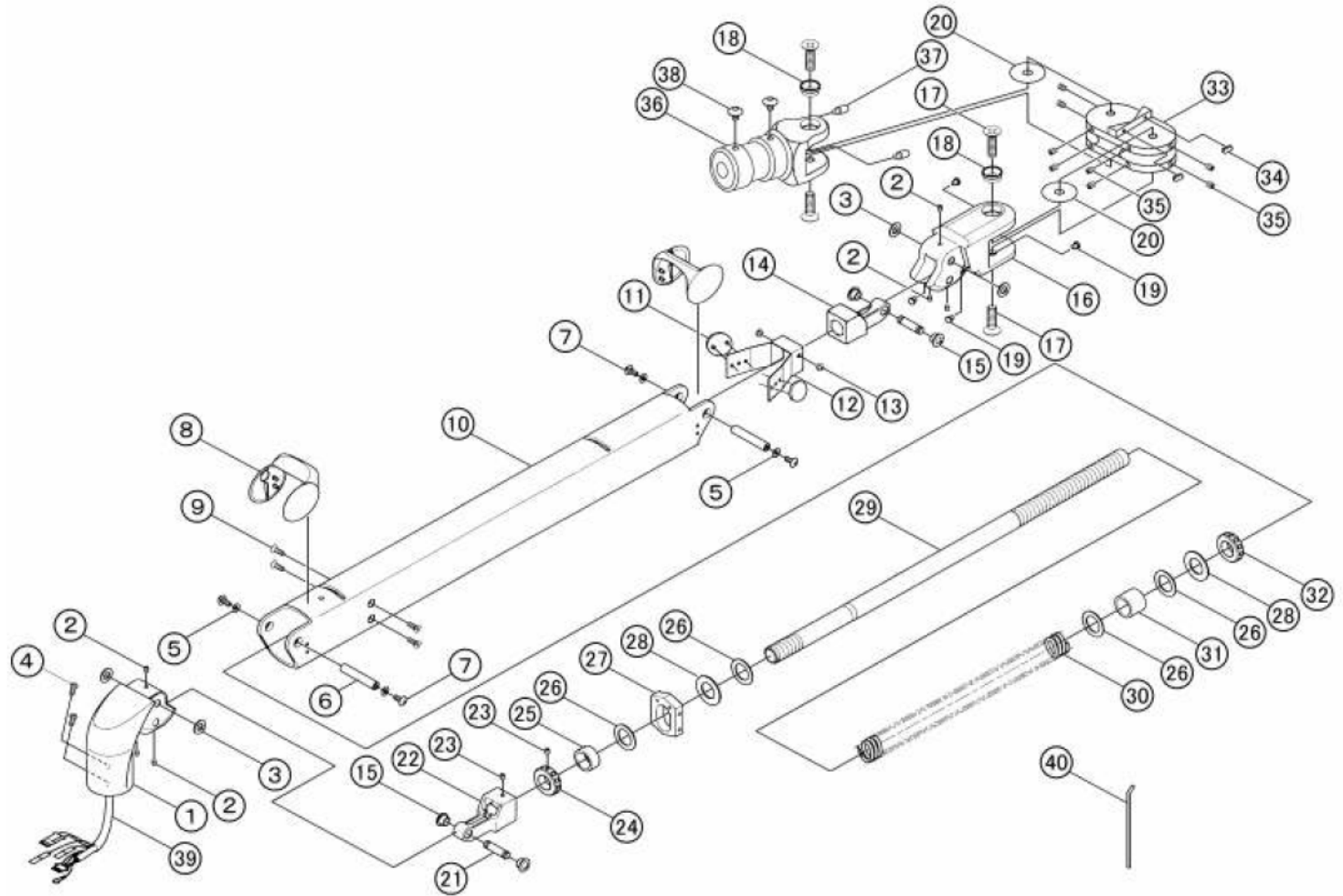


Clesta AL520X

(Used with BDS-2535 & BDS-2530 Clesta Lights)

- **Balance Arm Assy.**
- **Transformer Box Assy.**
- **PCB Box Assy.**

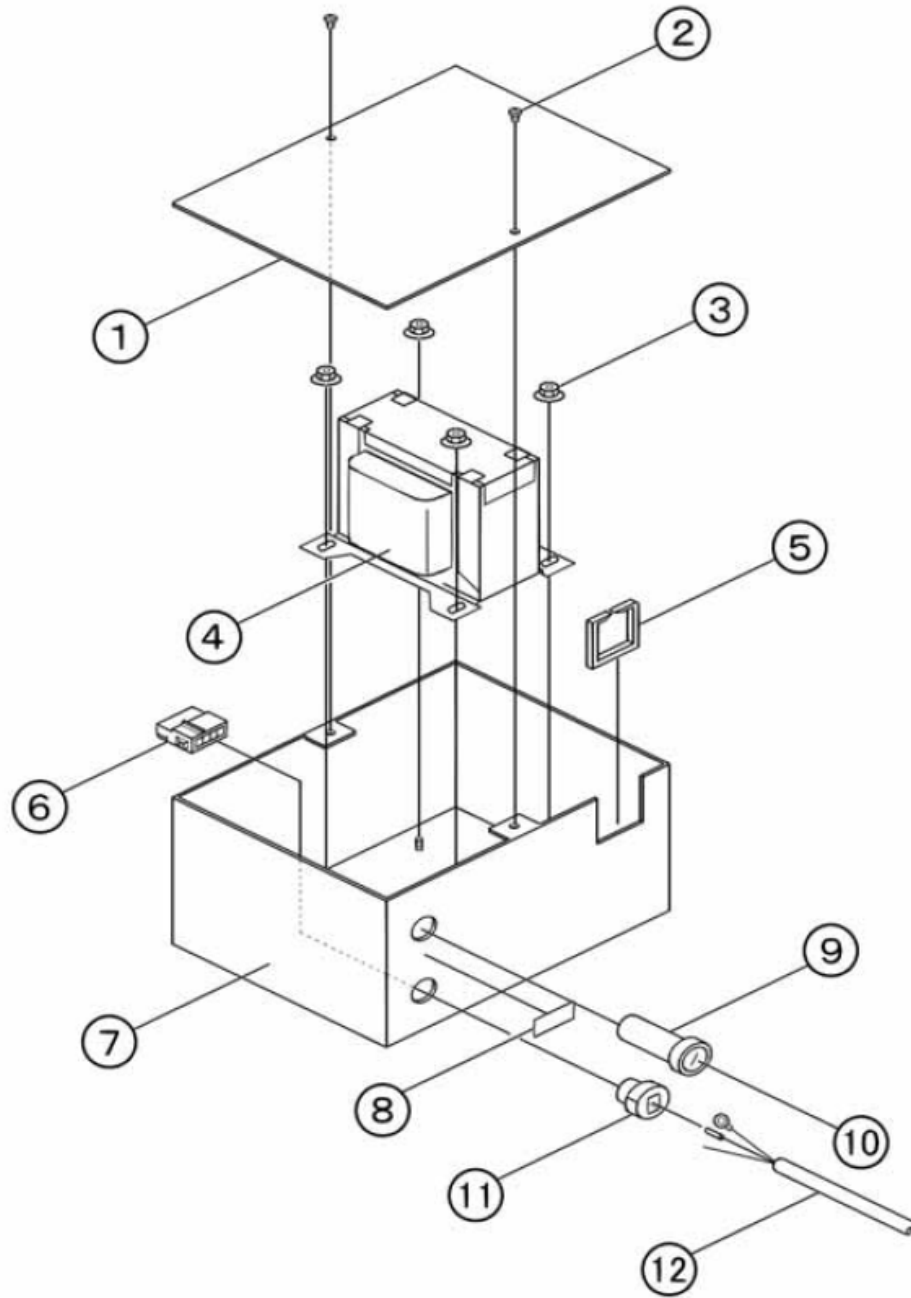
**Balance Arm Ass'y
for AL-520X**



Balance Arm Section for AL-520X
(Used in Clesta BDS-2535 and BDS-2530 Lights)

| <u>Dwg. ID #</u> | <u>P/N</u> | <u>Description</u> | <u>QTY</u> |
|--------------------|------------|----------------------------------|------------|
| 1-19, 21-32, 39 | 520027 | Balance Arm Ass'y for AL520X | 1 |
| 1 | 520001 | Yoke Bracket | 1 |
| 2 | 501112 | Setscrew, (M4-5) | 6 |
| 3 | 501105 | Washer (14-8.5-0.8) | 4 |
| 4 | 501147 | Screw, Painted, (M4-10) | 2 |
| 5 | 501163 | Washer, Nylon (9.1-4-0.2) | 4 |
| 6 | 520002 | Arm Knuckle Pin | 2 |
| 7 | 501108 | Screw, (M4-10) | 4 |
| 8 | 520003 | Arm Knuckle Cover | 2 |
| 9 | 501110 | Screw, Painted, (M4-10) | 4 |
| 10 | 520004 | Balance Arm | 1 |
| 11 | 501115 | Brake Shoe | 2 |
| 12 | 501162 | Brake Shoe Bracket | 1 |
| 13 | 501114 | Screw, (M4-6) | 2 |
| 14 | 520005 | Bracket for Spring Adj. Shaft R | 1 |
| 15 | 520006 | Bushing | 4 |
| 16 | 520007 | Balance Arm Knuckle | 1 |
| 17 | 520008 | Countersink Screw (M8-20) | 4 |
| 18 | 501133 | Bushing for Bal. Arm Knuckle | 1 |
| 19 | 520010 | Stopper (Small) | 4 |
| 20 | 501135 | Washer (32-8.5-0.3) | 2 |
| 21 | 520011 | Pin for Balance Arm | 2 |
| 22 | 520012 | Bracket for Spring Adj. Shaft L | 1 |
| 23 | 501117 | Setscrew, (M4-5) | 2 |
| 24 | 501116 | Nut for Adjustment Shaft | 1 |
| 25 | 520013 | Collar (C) | 1 |
| 26 | 501123 | Washer SPC (28-16-1.2) | 4 |
| 27 | 520014 | Spring Stopper | 1 |
| 28 | 520015 | Washer (30-17-1.5) | 2 |
| 29 | 520016 | Spring Adj. Shaft | 1 |
| 30 | 501125 | Balance Arm Spring | 1 |
| 31 | 520017 | Collar (L) | 1 |
| 32 | 501129 | Nut for Balance Arm Spring | 1 |
| 33 | 520020 | H-Shaped Casting Bracket Ass'y | 1 |
| 34 | 501138 | Stopper | 2 |
| 35 | 501139 | Setscrew, (M5-12) | 8 |
| 36 | 520021 | Pole Joint | 1 |
| 37 | 520022 | Stopper (Large) | 2 |
| 38 | 520019 | Round Head Screw, Painted (M6-8) | 2 |
| 39 | 520025 | Wire Harness for AL520X | 1 |
| 40 | 501164 | Adjusting Wrench | 1 |

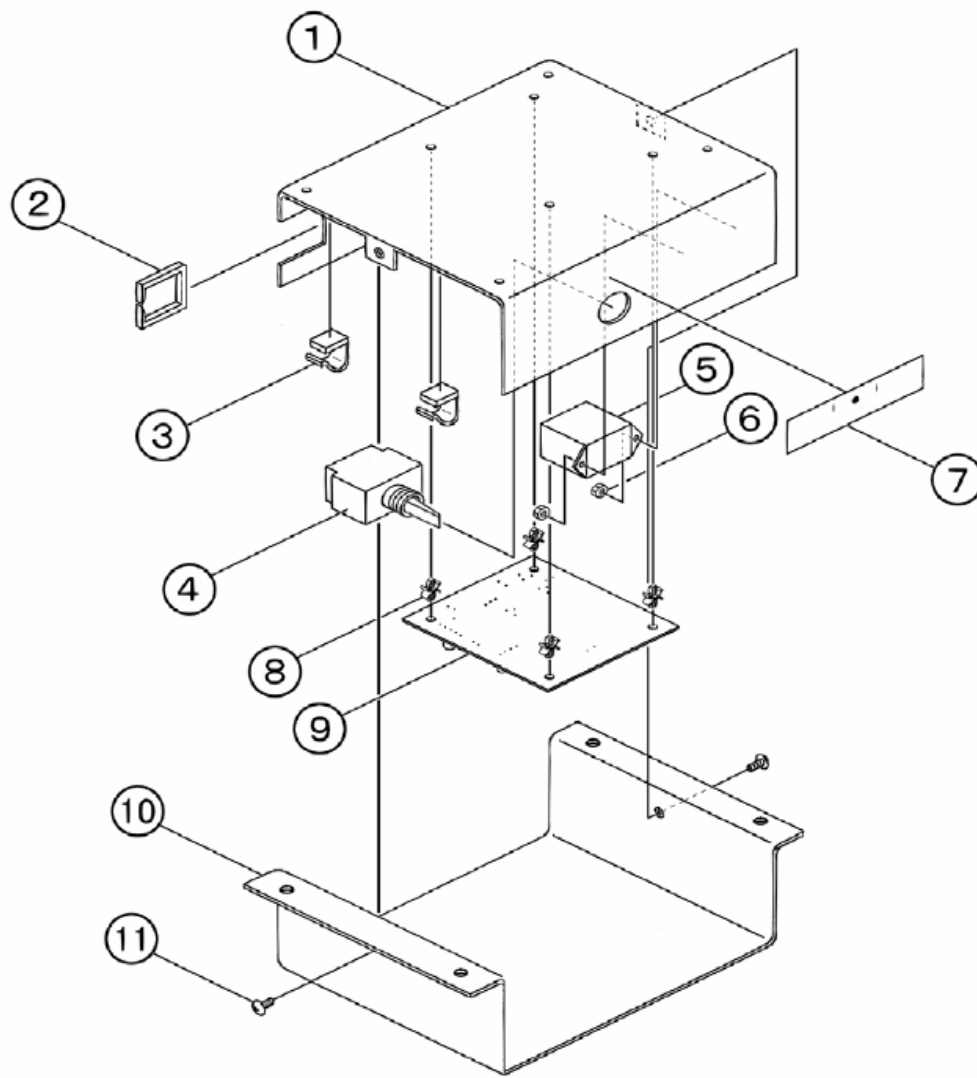
**Transformer Ass'y
for AL-520X**



**AL-520X Transformer Assy.
(Used with Clesta BDS-2535 and BDS-2530)**

| <u>Dwg. ID #</u> | <u>P/N</u> | <u>Description</u> | <u>QTY</u> |
|------------------|------------|------------------------------------|------------|
| 1-13 | 520200 | Transformer Box Ass'y | 1 |
| 1 | 520201 | Transformer Box Cover | 1 |
| 2 | 520202 | Screw (M4-8) | 2 |
| 3 | 501212 | Nut (M4) | 4 |
| 4 | 520101 | Transformer Ass'y (100-120V) | 1 |
| 5 | 520203 | Edge Saddle | 1 |
| 6 | 501228 | 4P Connector (Male) (100-120V) | 1 |
| 7 | 520204 | Transformer Box | 1 |
| 8 | 501353 | Fuse Seal (3.15A) | 1 |
| 9 | 501354 | Fuse Holder | 1 |
| 10 | 501357 | Fuse (3.15A) (110-120V) | 1 |
| 11 | 520205 | CT-Cable Bushing | 1 |
| 12 | 520206 | CT-Cable | 1 |
| 13 | 520207 | Wire Harness (Fuse to Transformer) | 1 |

PCB Assy. for
AL-520X



PCB Remote Box for AL520X
(Used with BDS-2535 and BDS-2530)

| <u>Dwg ID #</u> | <u>P/N</u> | <u>Description</u> | <u>QTY</u> |
|-----------------|------------|------------------------------------|------------|
| 1-13 | 520300 | PCB Box Ass'y | 1 |
| 1 | 520301 | PCB Box | 1 |
| 2 | 520203 | Edge Saddle | 1 |
| 3 | 520302 | Cord Clamp | 2 |
| 4 | 520303 | M-S Switch Ass'y | 1 |
| 5 | 501220 | Relay for Touchless Switch Assy. | 1 |
| 6 | 520304 | Nut (M3) | 2 |
| 7 | 501205 | Sensor Seal | 1 |
| 8 | 501218 | PCB Spacer | 4 |
| 9 | 501213 | PCB for Touchless Switch (SP Type) | 1 |
| 10 | 520305 | PCB Box Cover | 1 |
| 11 | 501147 | Screw, Painted (M4-10) | 2 |
| 12 | 520306 | Extension Wire For Transformer | 1 |
| 13 | 520307 | Extension Wire For PCB | 1 |