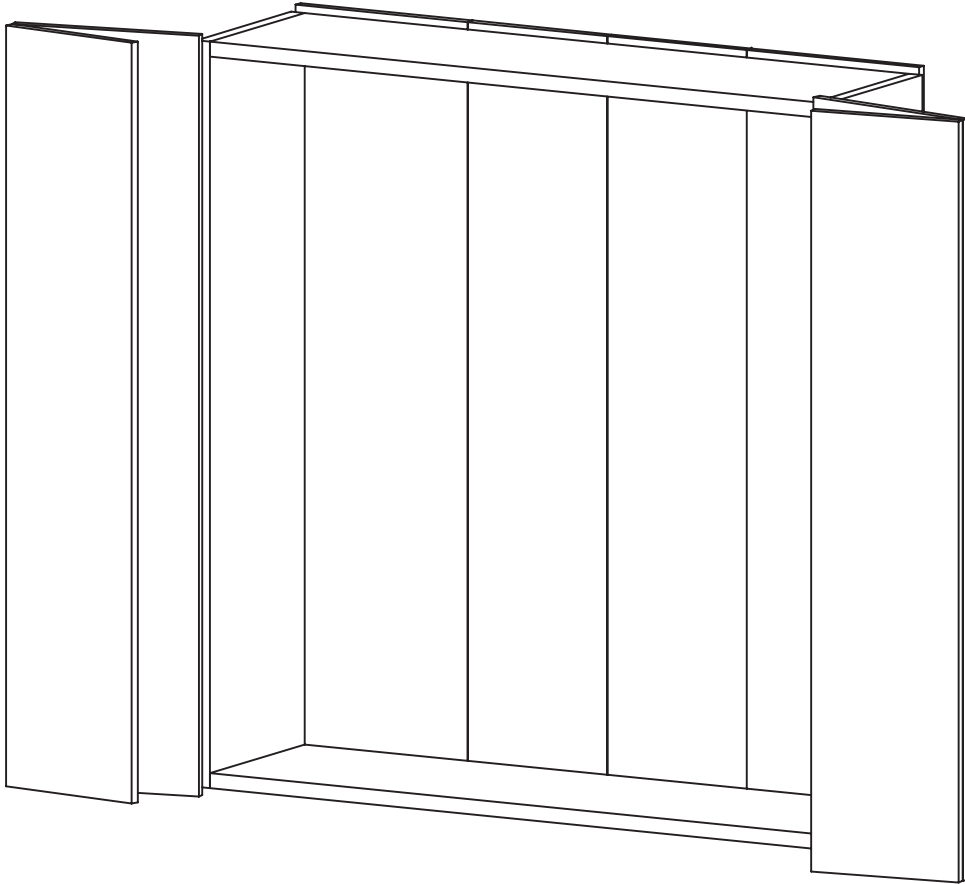


# D-Series Dental Cabinetry System

Installation Manual

Model: D-42/D-50



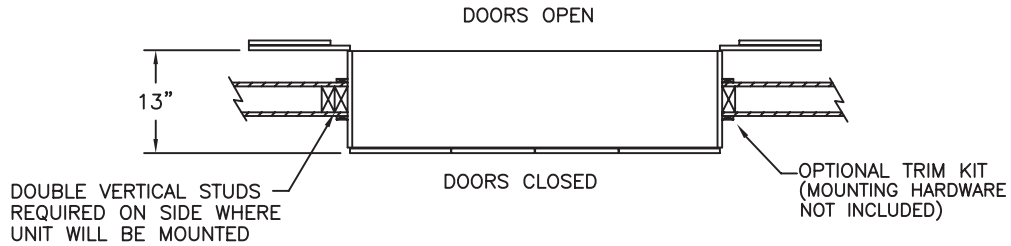
Version: 04272010



1631 Dr. Martin Luther King Drive  
St. Louis, MO 63106  
(314) 231-7383 1-800-325-7373  
Fax (314) 621-2296  
[www.belmontequip.com](http://www.belmontequip.com)

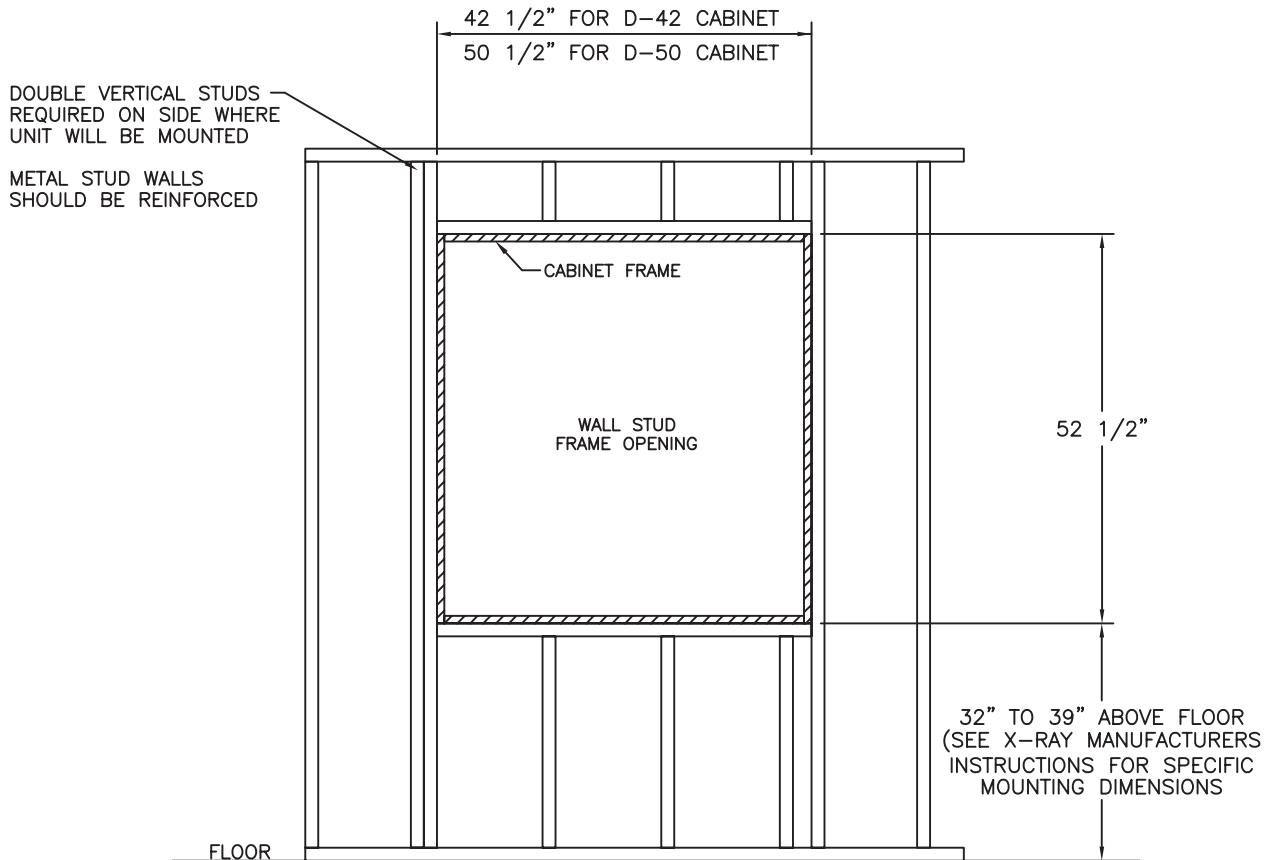
# INSTALLATION DIMENSIONS FOR D-42 & D-50 PASS-THRU CABINETS

RECOMMENDED FRAMING ROUGH-IN DIMENSIONS SHOWN.  
PLEASE MAKE HEIGHT ADJUSTMENTS FROM FLOOR IF ANY CABINETRY OR  
EQUIPMENT IS LOCATED IN FRONT OF D-42/D-50 CABINET (THAT MAY  
INTERFERE WITH THE D-42/D-50 DOORS OPENING).



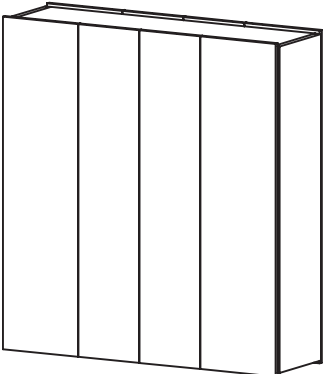
NOTE: METAL STUD WALLS  
SHOULD BE REINFORCED

PLAN VIEW

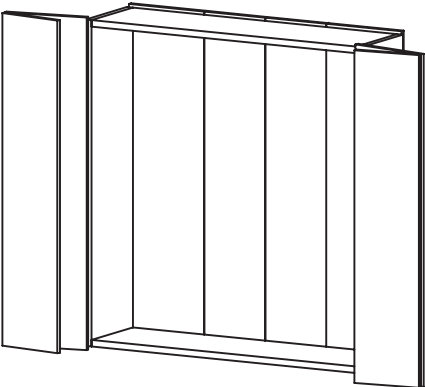


ELEVATION VIEW

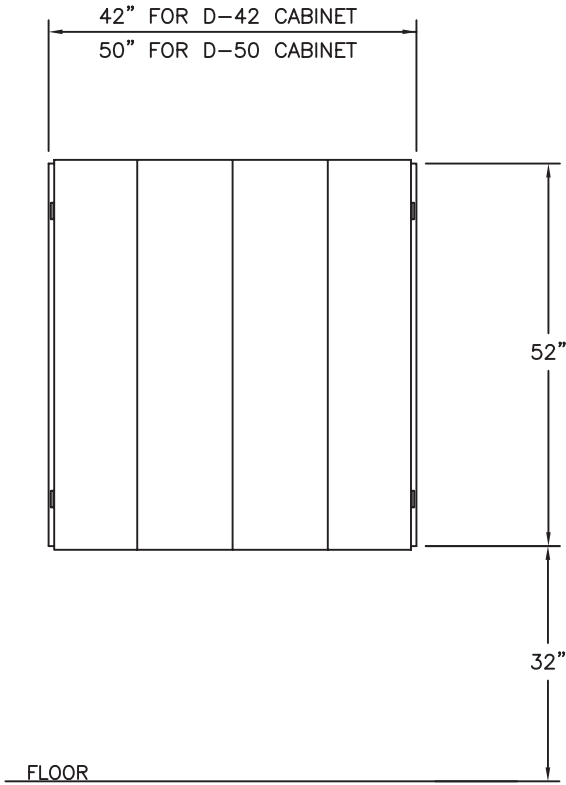
DIMENSIONS FOR D-42 & D-50 PASS-THRU CABINETS



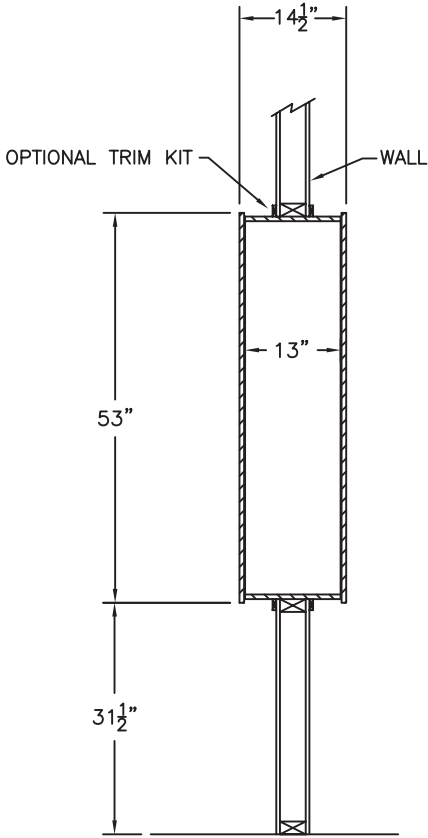
ISOMETRIC VIEW  
DOORS CLOSED



ISOMETRIC VIEW  
DOORS OPEN



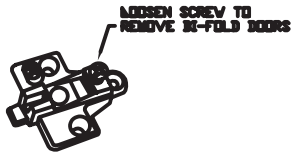
ELEVATION VIEW



SECTION VIEW

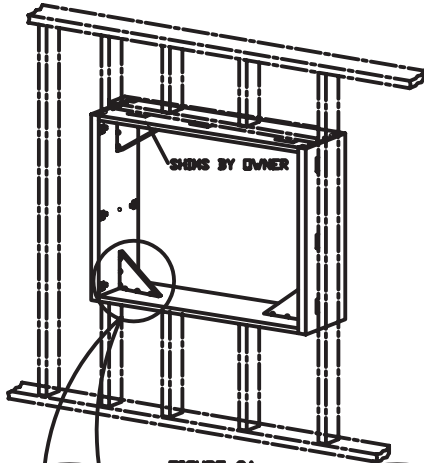
# D-42 & D-50 X-RAY PASS THROUGH CABINET

## INSTALLATION INSTRUCTIONS

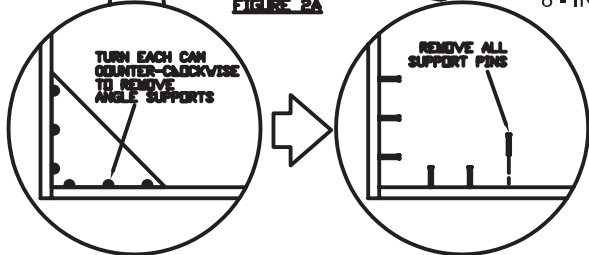


**HINGE BASE PLATE**  
**FIGURE 1**

- 1 - REMOVE PACKING MATERIALS FROM THE X-RAY PASS THROUGH CABINET AND LOOSEN SCREW ON HINGE BASE PLATE TO REMOVE ALL BI-FOLD DOORS (SEE FIGURE 1).
- 2 - PLACE THE D-42/D-50 CABINET INTO THE ROUGH CUT OUT OPENING IN WALL. (SEE ROUGH-IN DIMENSIONS FOR PASS THRU X-RAY CABINET) SHIMMING ANY OPEN GAPS AT THIS TIME. **IMPORTANT:** BE SURE THE CABINET IS LEVEL AND SQUARE (SEE FIGURE 2A). TURNING A SCREWDRIVER COUNTER-CLOCKWISE, REMOVE ALL (4) ANGLE SUPPORTS (SEE FIGURE 2B). ANGLE SUPPORTS CAN BE DISCARDED ONCE REMOVED. NEXT, REMOVE ALL SUPPORT PINS (SEE FIGURE 2C).
- 3 - DRILL 3/16" DIA HOLES THRU THE FRAME AND SECURE TO WALL STUDS USING (APPROX 12) #8 x 2 1/2" FH SCREWS WITH PLASTIC CAP AND LINKS (SEE FIGURE 3). **NOTE: USE SOME SUPPORT PIN HOLES TO SECURE CABINET.**
- 4 - ATTACH X-RAY MOUNTING BRACKET ON SIDE OF FRAME (SEE MOUNTING BRACKET HOLE PATTERN AND X-RAY MOUNTING INSTALLATION).
- 5 - ATTACH TRIM KIT (OPTION #90-850) AROUND FRAME USING LIQUID NAILS.
- 6 - RE-INSTALL BI-FOLD DOORS BY SLIDING DOOR CONCEALED HINGES ONTO HINGE BASE PLATE.
- 7 - ADJUST THE CONCEALED HINGE AND BI-FOLD HINGE TO ACHIEVE PROPER DOOR ALIGNMENT (SEE FIGURE 7A, 7B, AND 7C).
- 8 - INSTALLATION COMPLETE

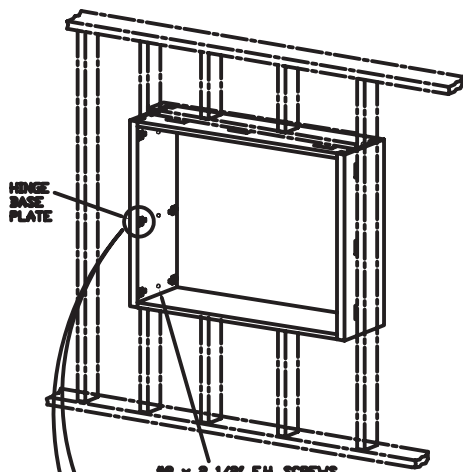


**FIGURE 2A**

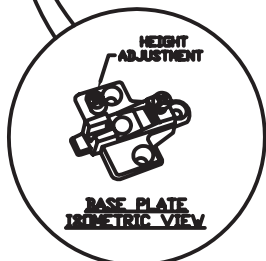


**FIGURE 2B**

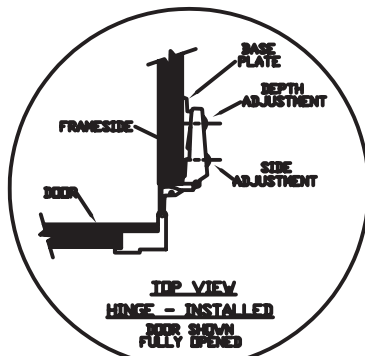
**FIGURE 2C**



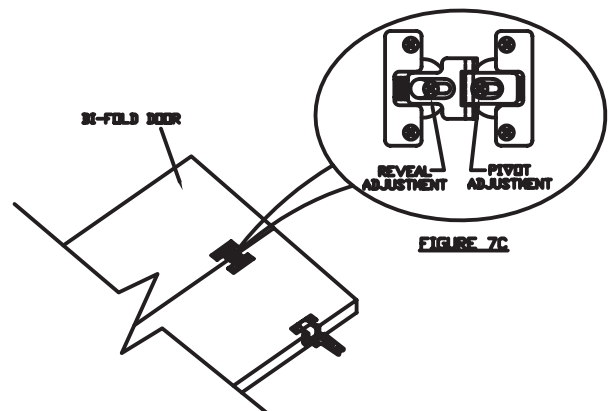
**FIGURE 3**



**FIGURE 7A**



**FIGURE 7B**



**FIGURE 7C**