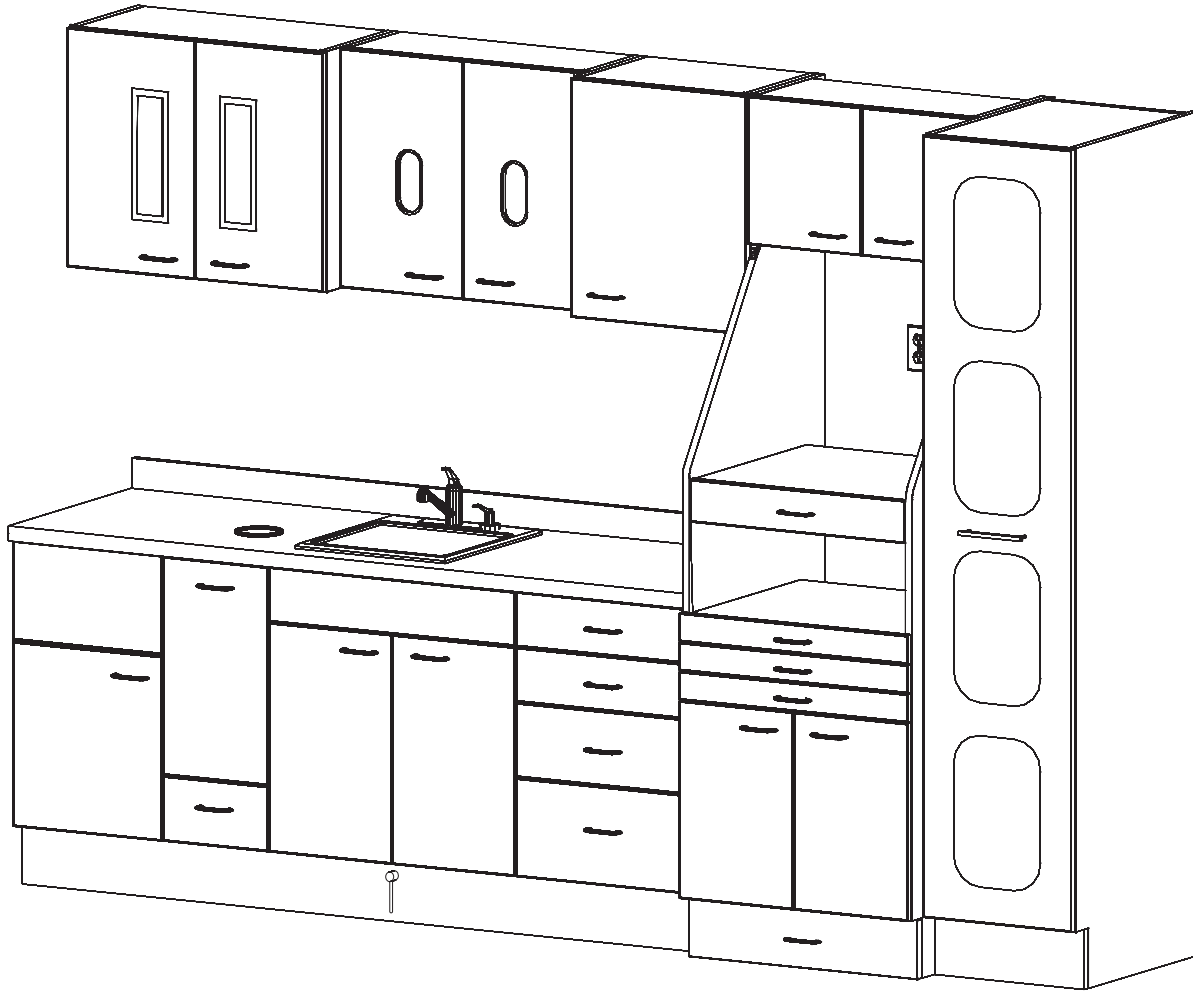


# *Installation Instructions & Owners Manual*

**E-Series Dental Cabinetry  
Model: E-120**



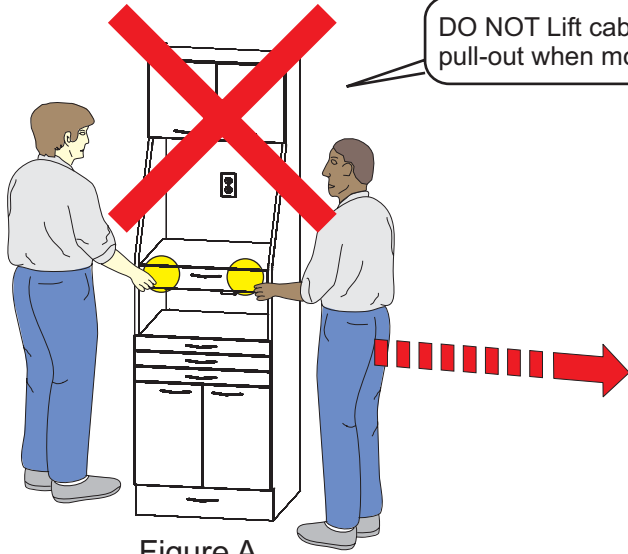
**Consumer: Please retain these instructions for future use.**

 **Belmont**

1631 Dr. Martin Luther King Drive  
St. Louis, MO 63106  
(314) 231-7383 (888) 833-3682  
Fax (314) 621-2296  
[www.belmontequip.com](http://www.belmontequip.com)

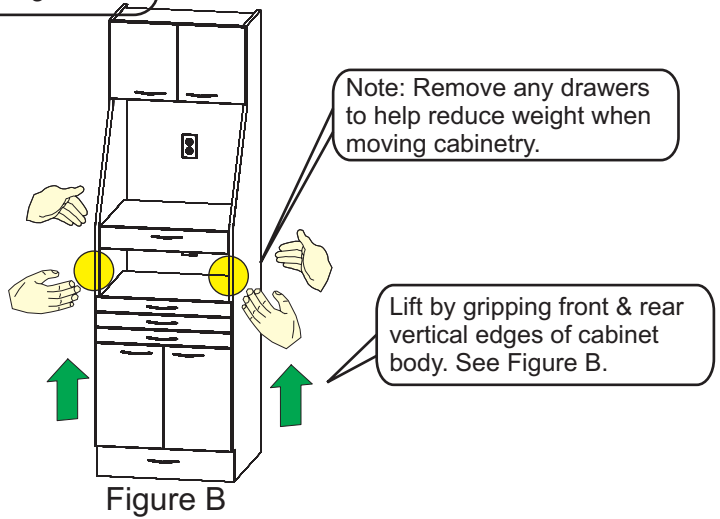
# General Cabinet Handling Information

Models: E-120



DO NOT Lift cabinet by the Ultrasonic pull-out when moving. See Figure A.

Figure A



Note: Remove any drawers to help reduce weight when moving cabinetry.

Lift by gripping front & rear vertical edges of cabinet body. See Figure B.

Figure B

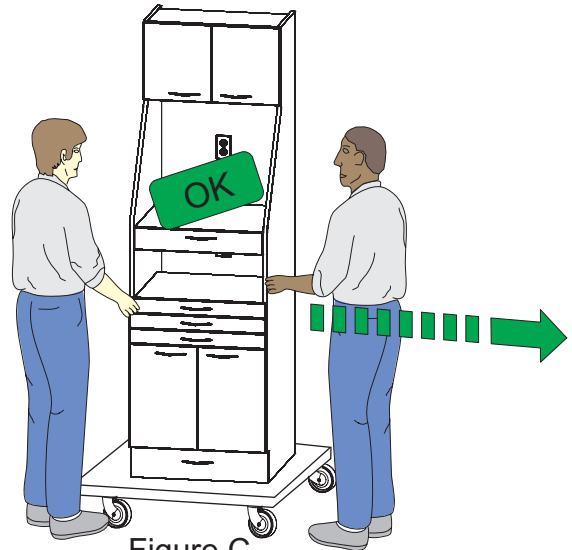


Figure C

Move by using some type of roller dolly, slings or a comparable moving aid. See Figure C and D.

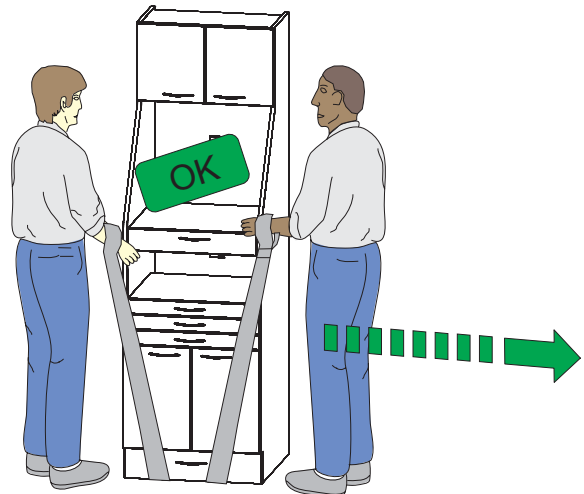
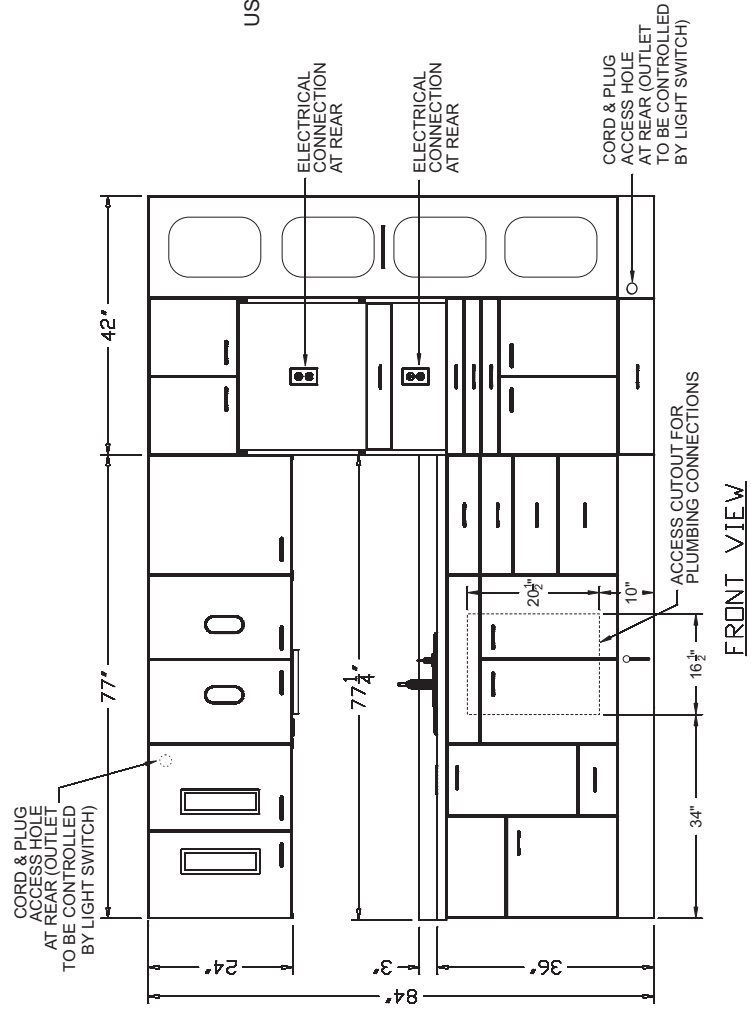
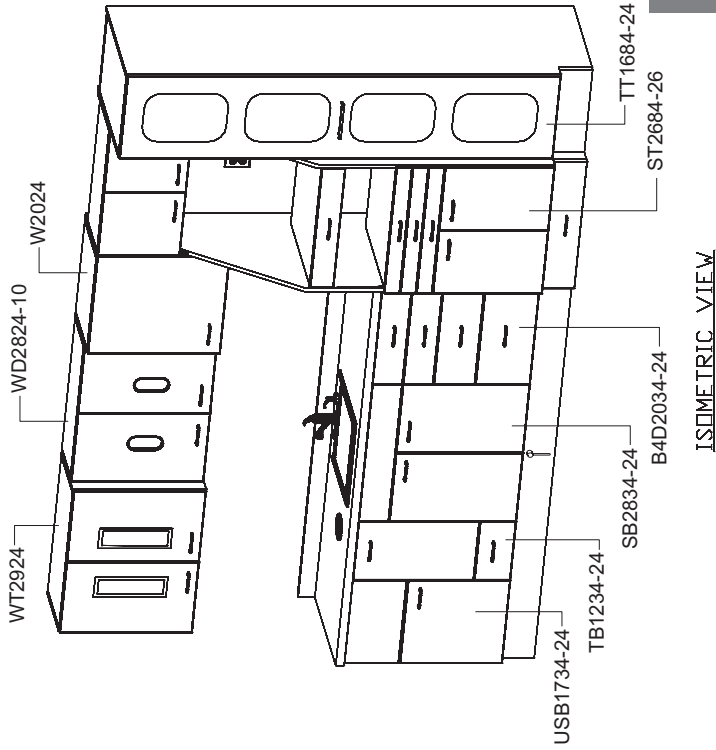
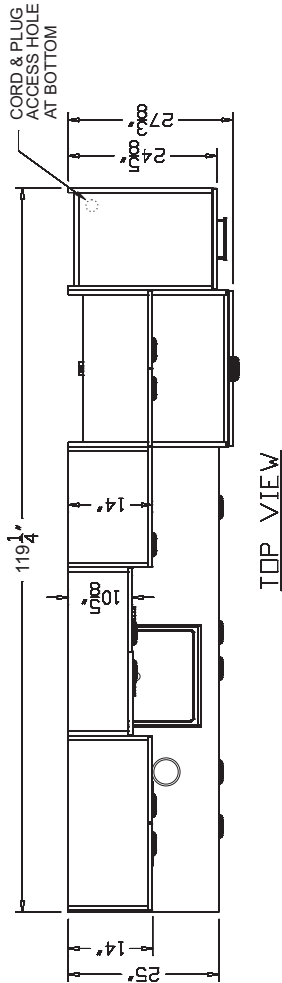


Figure D

# Detail Drawings

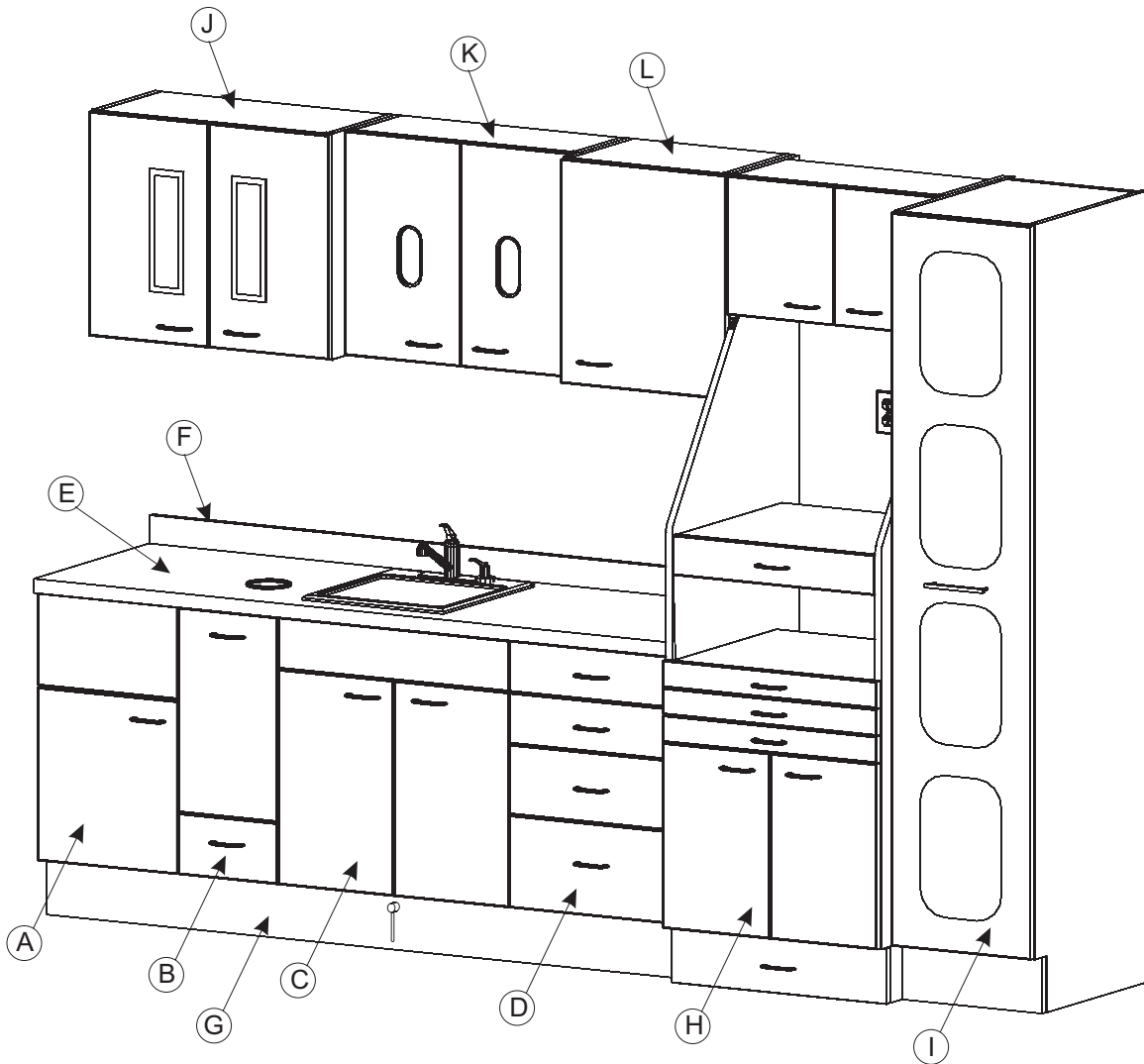
## Model: E-120



**NOTE:**  
STERILIZATION LIGHTS IN WT2924 UPPER AND TT1684-24 SHOULD BE CONTROLLED BY CUSTOMER SUPPLIED LIGHT SWITCH.

# Assembly Instructions

## Model: E-120



### Component Identification

- (A) USB1734-24
- (B) TB1234-24
- (C) SB2834-24
- (D) B4D2034-24
- (E) Top
- (F) Backsplash
- (G) Kickplate (front and end)
- (H) ST2684-26
- (I) TT1784-24
- (J) Wt2924
- (K) WD2824-10
- (L) W2024

# Assembly Instructions

## Model: E-120

**NOTE:**  
 Assembly instructions are based on the standard E-120 Sterilization Center. Each site installation may contain a different combination of cabinetry but in general all installation guidelines are the same.

**Step 1**  
 Confirm that the appropriate plumbing supply/drain and electrical rough-ins are in place.

**Step 2**  
 Measure up 82" from the floor and mark a level line. The centerline represents the Hang Rail (J1) hole mounting centerline (see Figure 1A). Position the Hang Rail (J1) 5/8" in from the end of the desired location of end cabinet and secure to wall using an appropriate wall fasteners for the type of wall construction (J2) (see Figure 1B for common types). It is important to hit as many wall studs as possible while securing Hang Rail to wall.

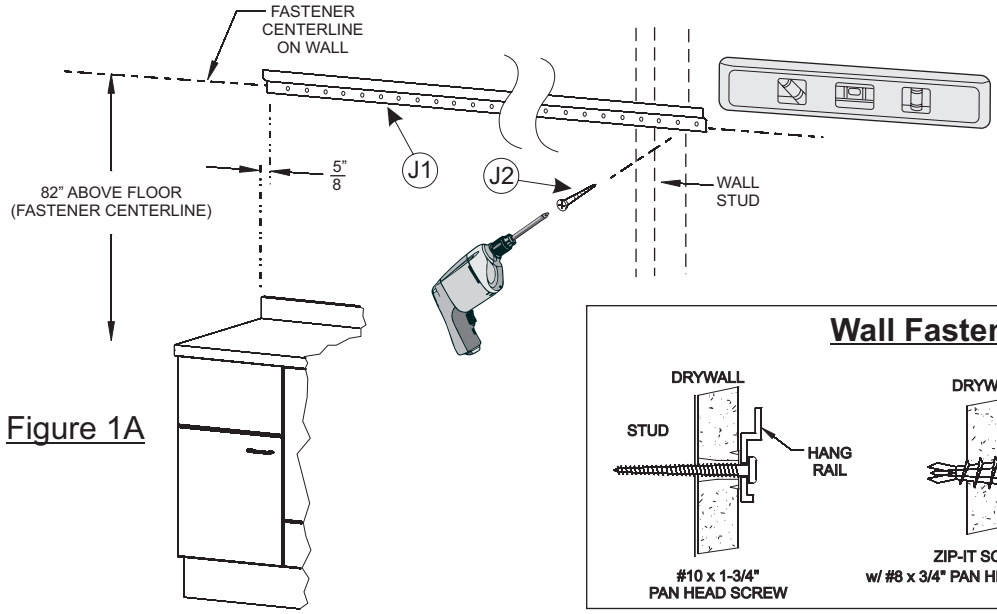


Figure 1A

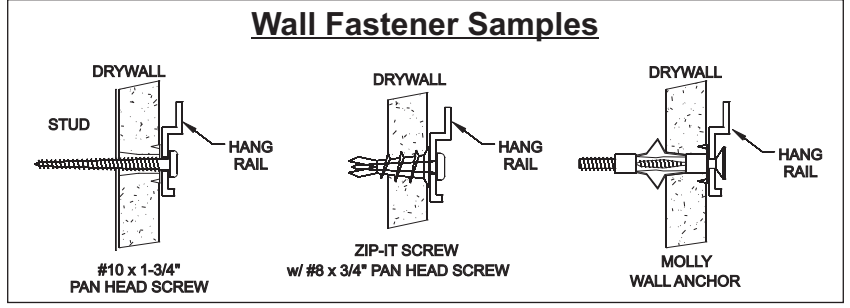


Figure 1B

**Step 3**  
 At the upper corners of each wall cabinet, remove the break away web to enable a multiple wall cabinet installation. DO NOT remove the web for finished ends (see Figure 2A). With (2) people hang the Wall Cabinet (J) onto the Hang Rail (J1) (see Figure 2A) by placing cabinet against the wall above the Hang Rail (J1) then slide down the wall until the hanger bracket snags the Hang Rail (J1). To tighten the cabinet to the Hang Rail use a screwdriver to tighten (see Figure 2B). There is a 14mm front to back adjustment range. Tighten the screw on both Hanger Brackets per wall cabinet. Plug the interior lamp into a wall outlet **controlled by customer supplied light switch** through the access hole at the upper rear corner of The Wall Cabinet.

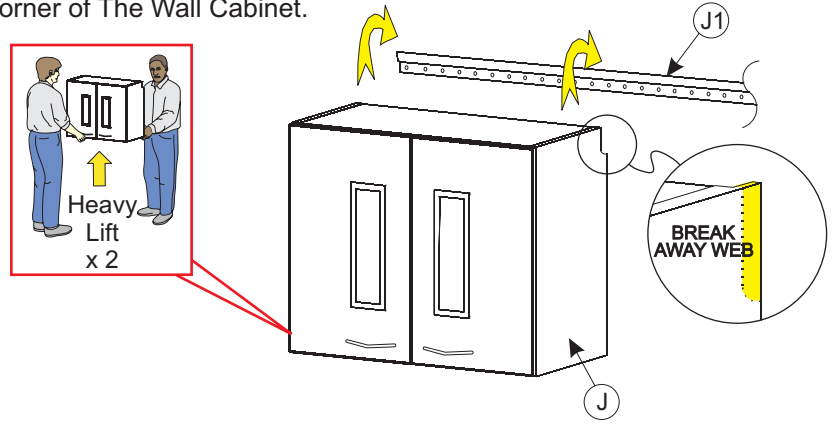


Figure 2A

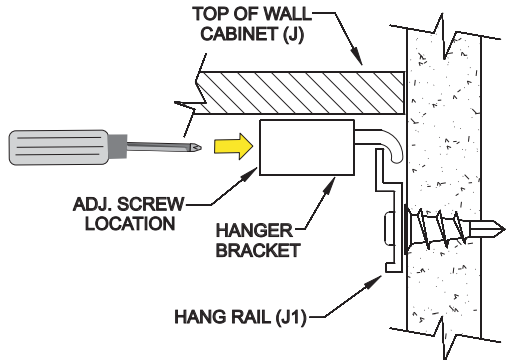


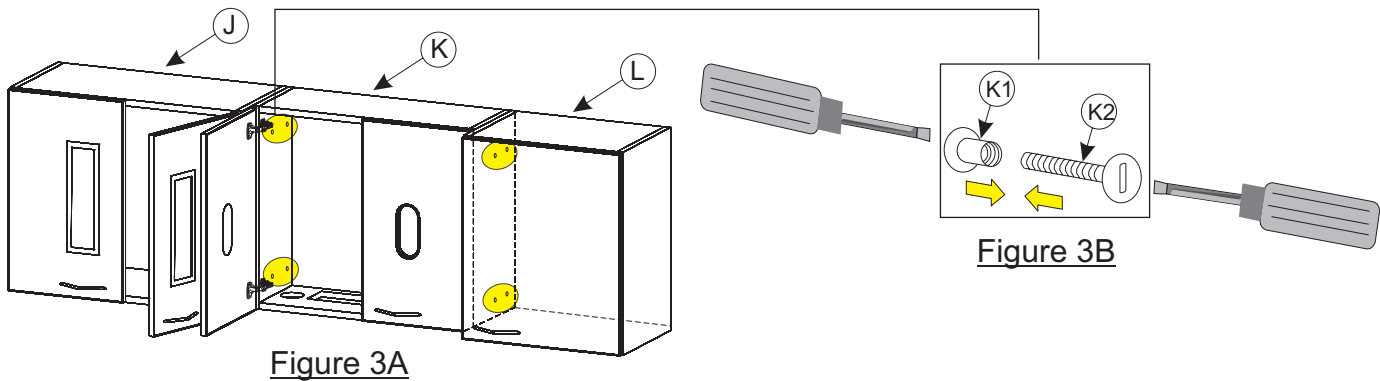
Figure 2B

# Assembly Instructions

## Model: E-120

### Step 4

Hang remaining Wall Cabinets (K & L) (see Figure 3A). Secure Wall Cabinets together by inserting (4) Connectors through the (4) holes in each Wall Cabinet end panel and tightening with screw drivers (see Figure 3B).



### Step 5

Move Sterilization Cabinet (H) into position and make electrical connections at the outlets in the back panel. Move the cabinet flush against the wall and against the last Wall Cabinet (L) (see Figure 4A) Make sure the cabinet is flush and level (shim if necessary).

The Sterilization Cabinet (H) may be secured to the Wall Cabinet and/or the wall if so desired . Recommended locations for doing so are shown (see Figure 4B). Use a maximum of 1-1/8" long wood screw (H1) to attach thru the upper storage area to the wall cabinet. Use a proper wall fastener (H2) to secure to the wall thru the back panel.

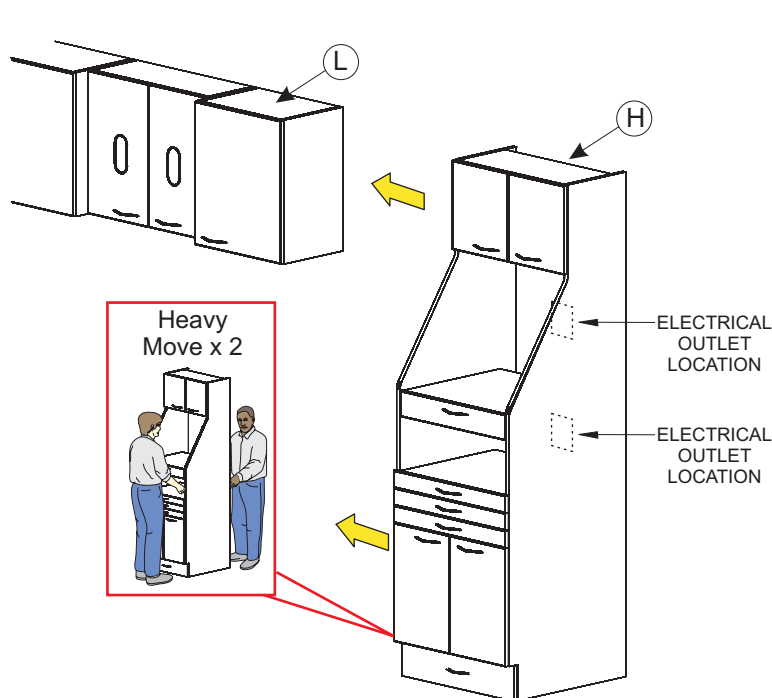


Figure 4A

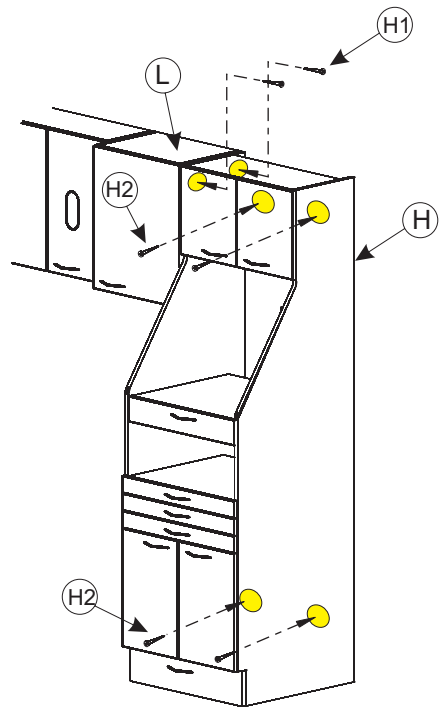


Figure 4B

# Assembly Instructions

## Model: E-120

### Step 6

Move Tall Tower Storage Cabinet (I) into position flush against the wall and against the last Sterilization Cabinet (H) (see Figure 5A). Plug the interior lamps into a floor outlet **controlled by customer supplied light switch** through the access hole at the bottom rear corner of the Tall Tower Storage Cabinet (I). Make sure the cabinet is flush and level (shim if necessary).

The Tall Tower Cabinet (I) may be secured to the Sterilization Cabinet (H) and/or the wall if so desired. Recommended locations for doing so are shown (see Figure 5B). Use a maximum of 1-1/8" long wood screw (H1) to attach thru the left side area to the Sterilization Cabinet (H). Use a proper wall fastener (H2) to secure to the wall thru the back panel.

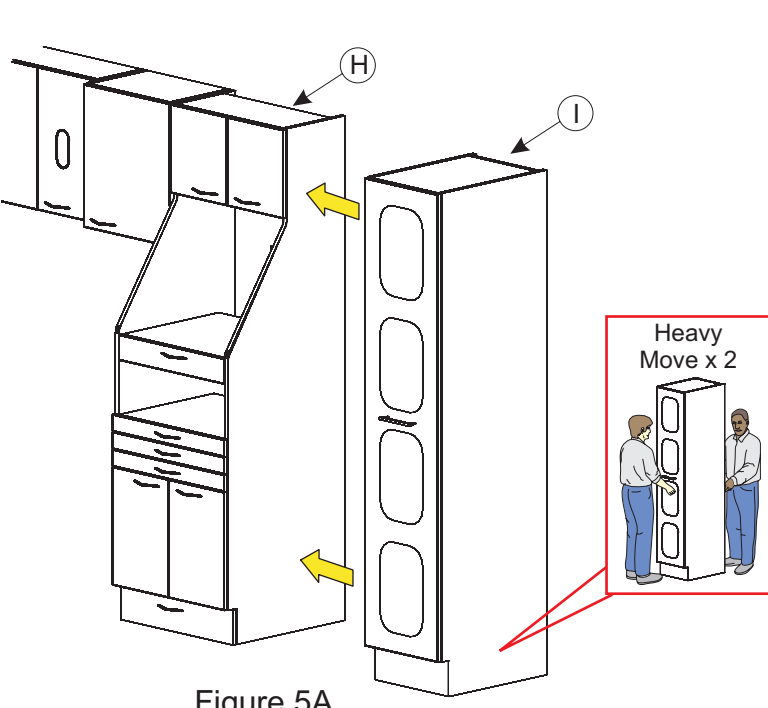


Figure 5A

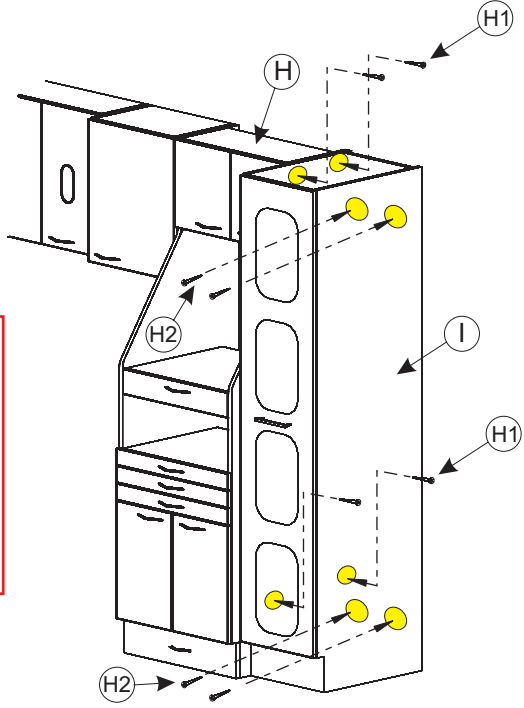


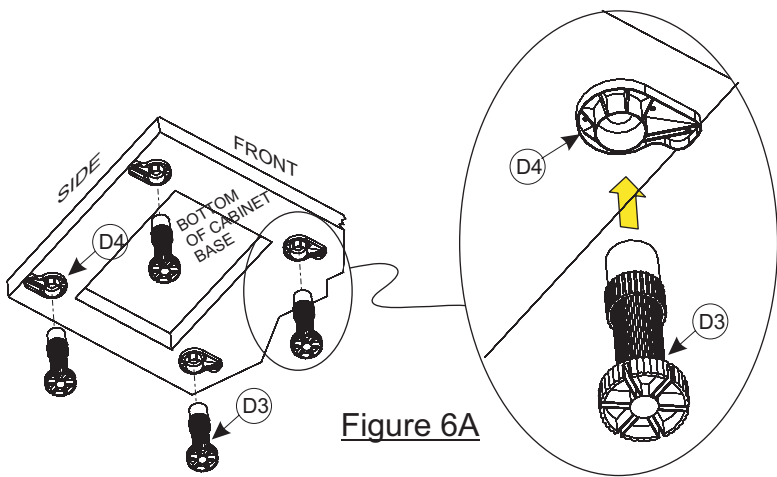
Figure 5B

# Assembly Instructions

## Model: E-120

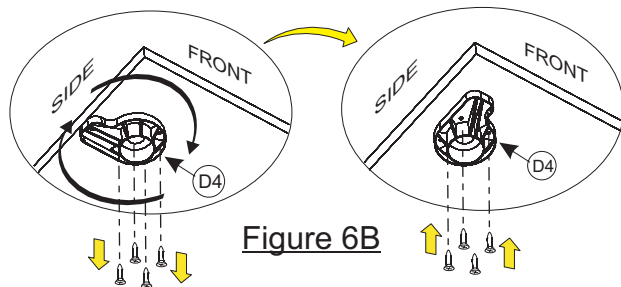
### Step 7

Mount the Leg Leveler (D3) to the Leg Leveler Base (D4) by inserting into the Leveler Base (D4) (see Figure 6A).



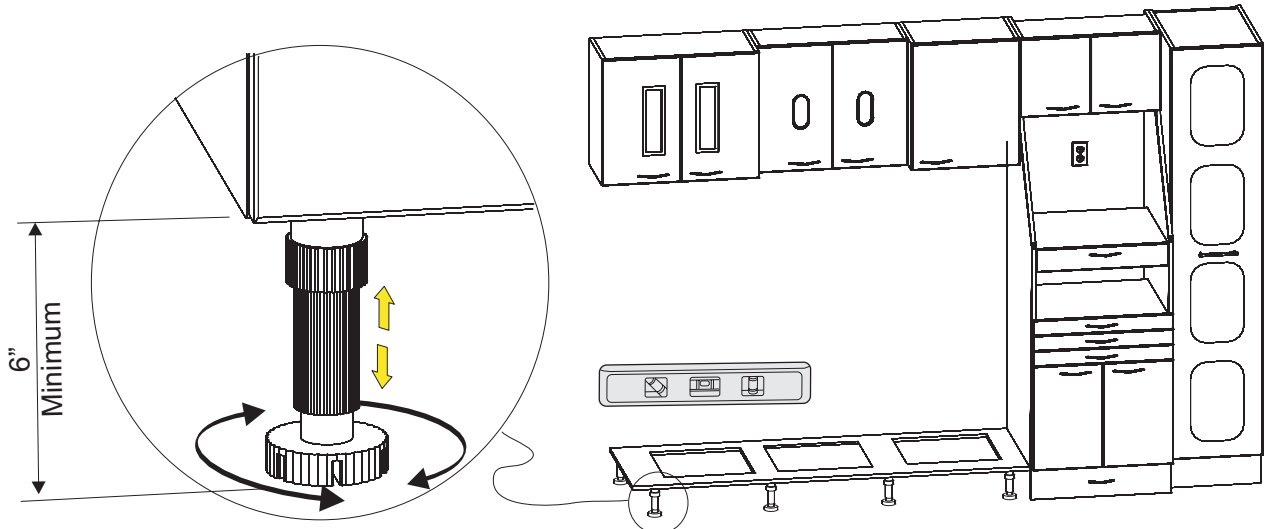
**IMPORTANT**

When a finished side toe-kick is used, the Leg Leveler Bases (D4) on that side must be removed and rotated 90° to allow clearance for the toe-kick (see Figure 6B) once installed.



### Step 8

Level the Cabinet Base allowing a minimum of 6" for the Kickplate (see Figure 7).



# Assembly Instructions

## Model: E-120

### Step 9

Place the cabinets (A thru D) into the proper location (using fillers where needed) (see Figure 8). Using supplied #6 x 1-1/2" wood screws mount each lower cabinet to cabinet base with (4) wood screws each.

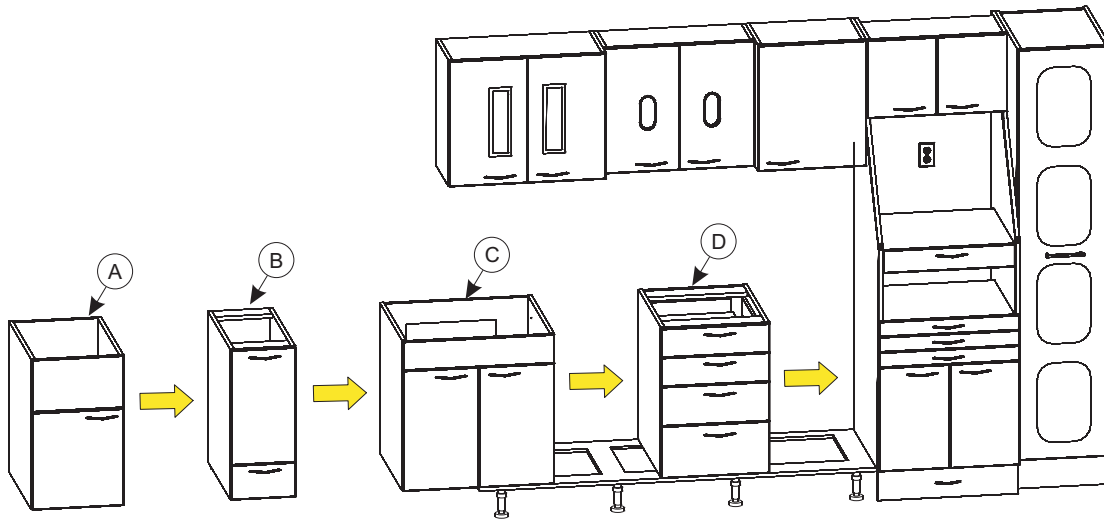


Figure 8

### Step 10

Secure Cabinets (A, B, C & D) together by opening doors/removing drawers and inserting (4) Connectors (K1 & K2) through the (4) holes through each side panel. Tighten Connectors with screw drivers (see Figure 9).

**Note:**

If holes are not drilled through fully:  
Drill (4) 5/16" holes through the side panels  
in approximate locations as shown below  
(pilot holes will locate positions).  
Be careful not to drill into drawer slides or  
other hardware of cabinet connecting to.

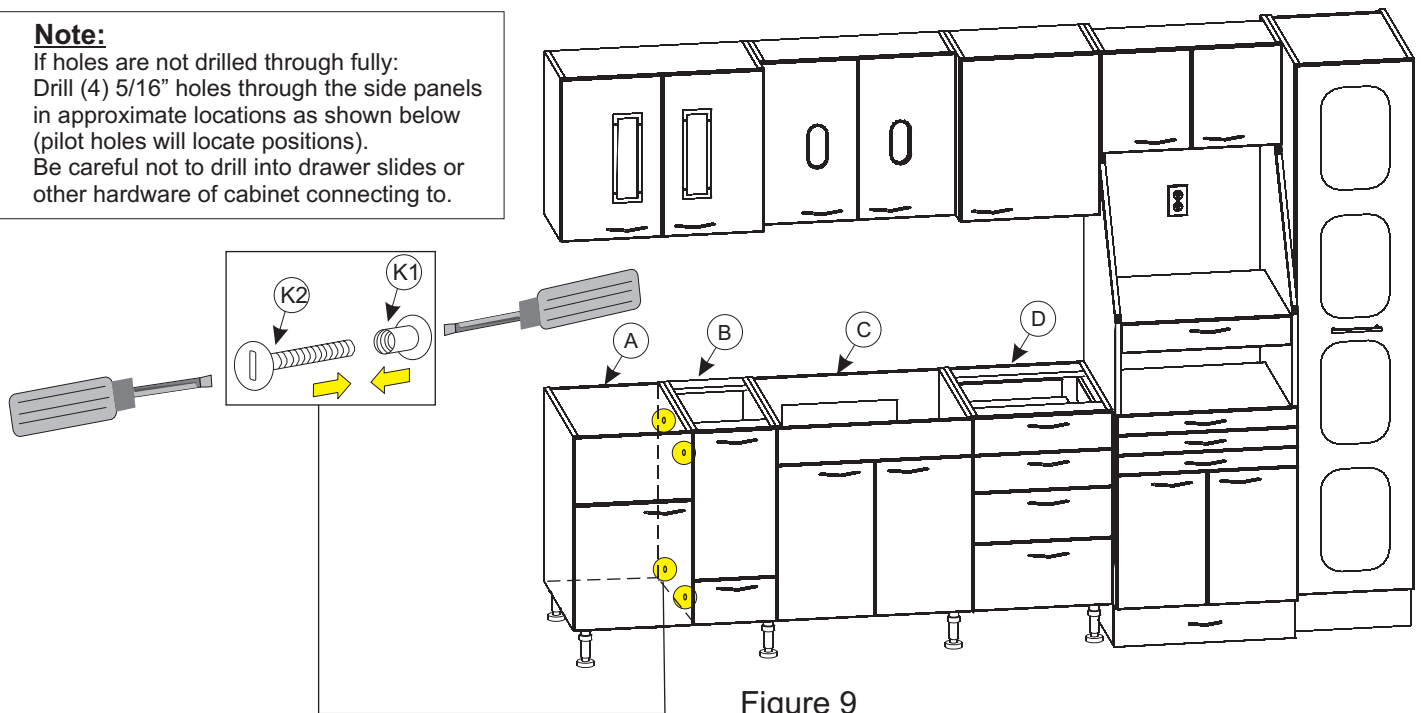


Figure 9

# Assembly Instructions

## Model: E-120

### Step 11

Place Top (E) onto cabinets with the back edge flush with the wall and the right edge flush with the ST2684-26 Sterilization Cabinet (H) (see Figure 10). Secure the Top (E) to the cabinets by using #8 x 1-1/2" flat head screws. Screw through each Cleat and each Stretcher into the buildups on the underside of the Top.

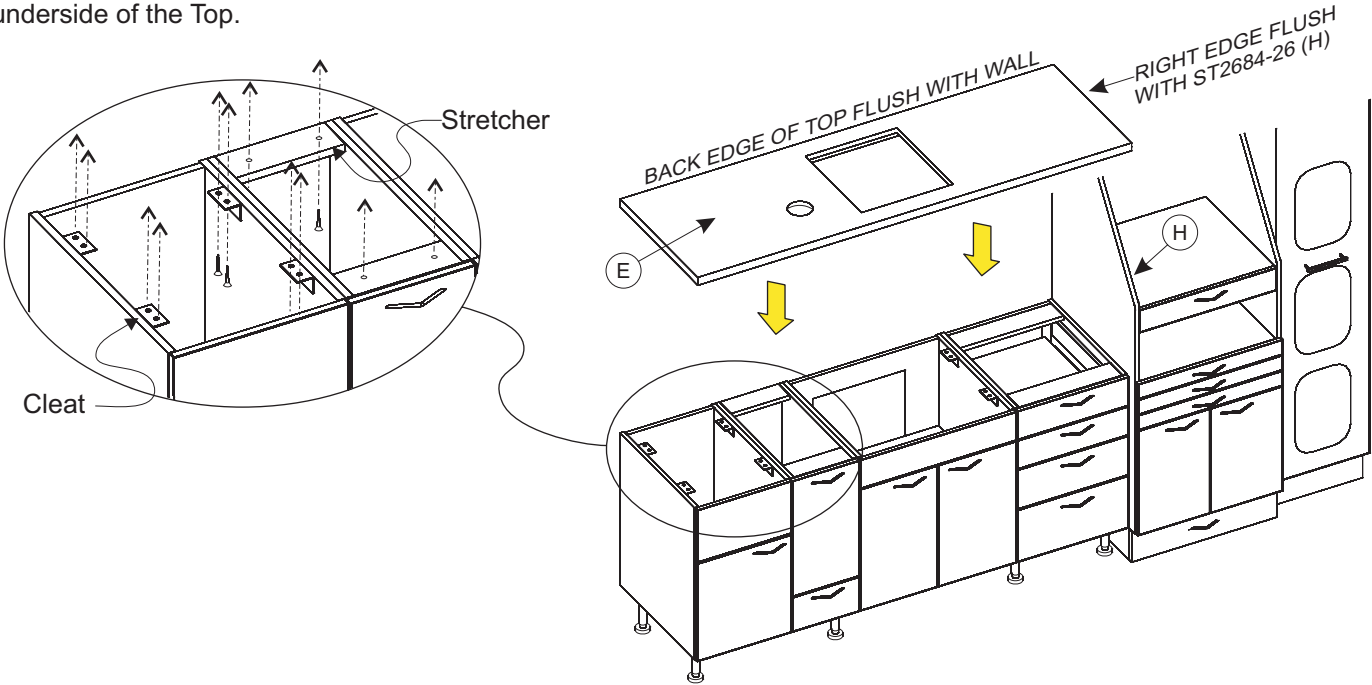


Figure 10

### Step 12

Apply Construction Adhesive to wall and set Backsplash (F) into place on the Top (E) and up against the wall (see Figure 12A). Seal with Clear Silicone Rubbrer at seam of Backsplash (F) and Top (E) (see Figure 12B).

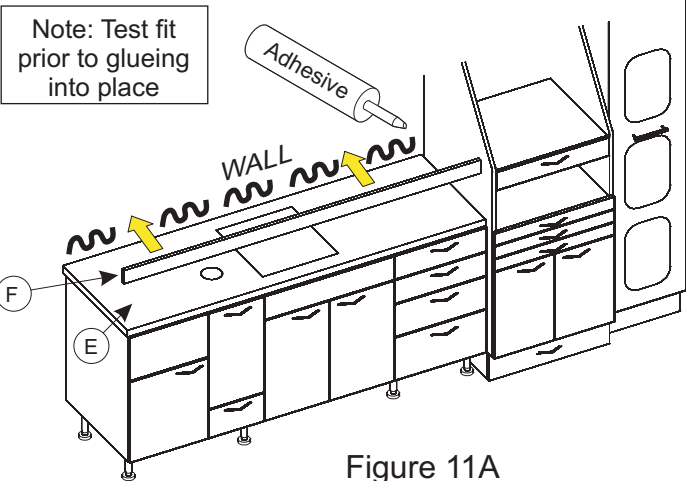


Figure 11A

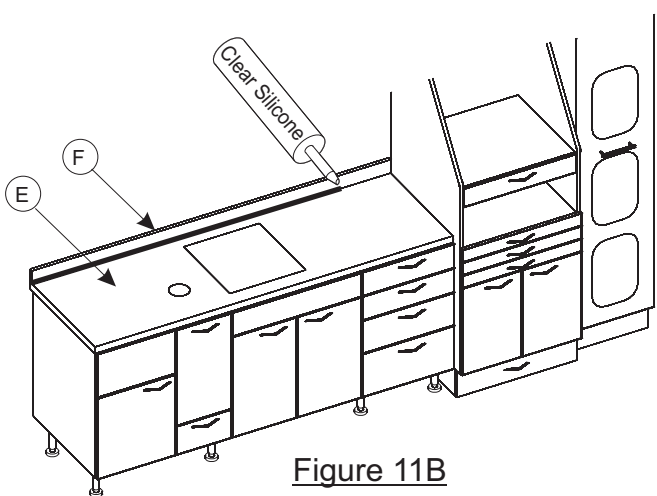


Figure 11B

# Assembly Instructions

## Model: E-120

### Step 13

Install Kickplates (G1 & G2) by snapping clips onto legs. (see Figure 12).

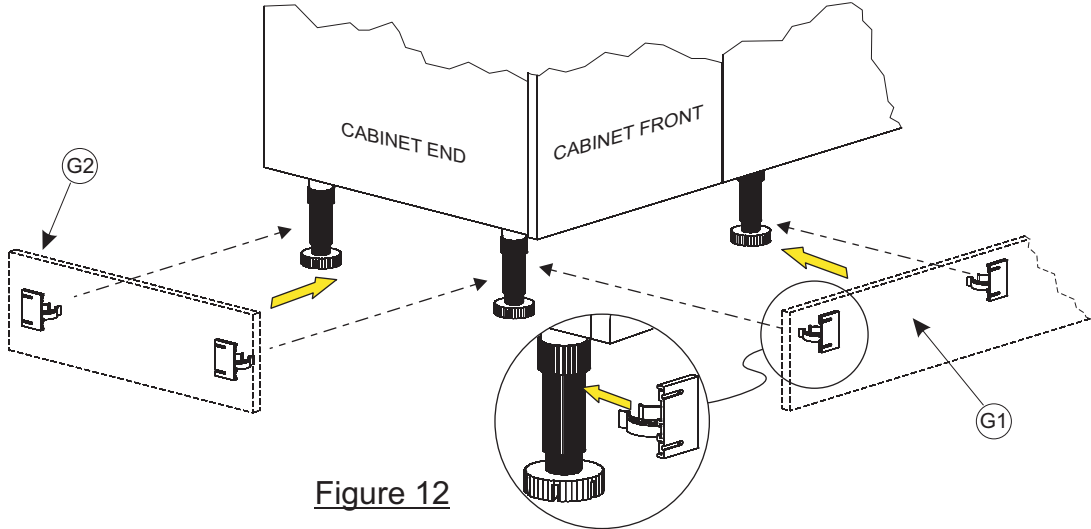


Figure 12

### Step 14

Mount Sink (C1) to counter top per instructions within sink packaging (see Figure 13). Mount Faucet (C2), Strainer assembly (C3) and Tail Piece assembly (C4). Connect Tapmaster per instructions within Tapmaster packaging.

Make all supply/drain plumbing connections through the access at the rear of the cabinet. Make sure to verify plumbing work with local codes.

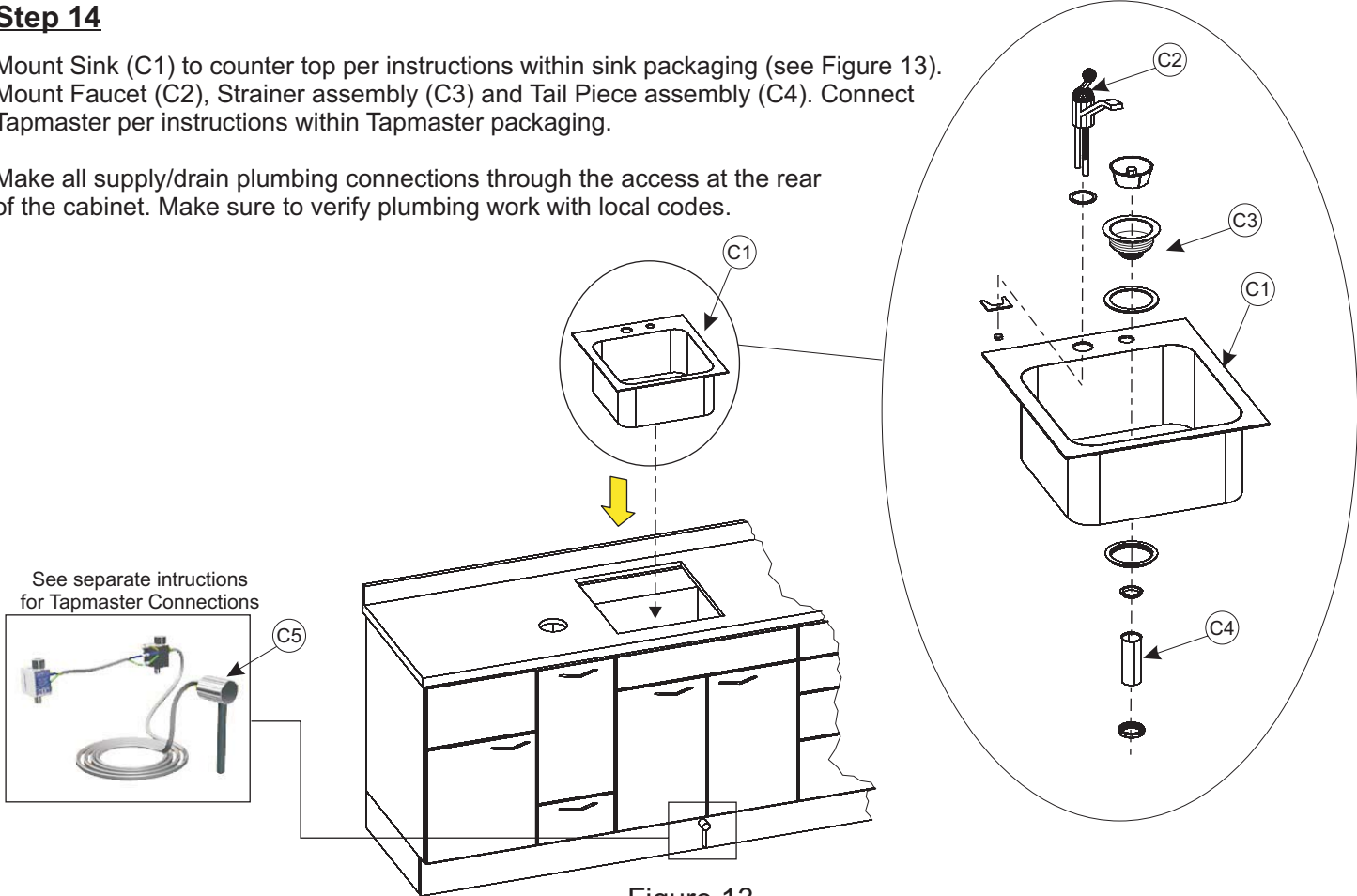


Figure 13

# Assembly Instructions

## Model: E-120

### Step 14

Insert Trash Chute (B1) into chute hole in counter top and place Trash Basket (B2) into the slide out basket holder in cabinet (B) (see Figure 16). Install the Soap Dispenser (C6) into the hole in the sink (see Figure 14).

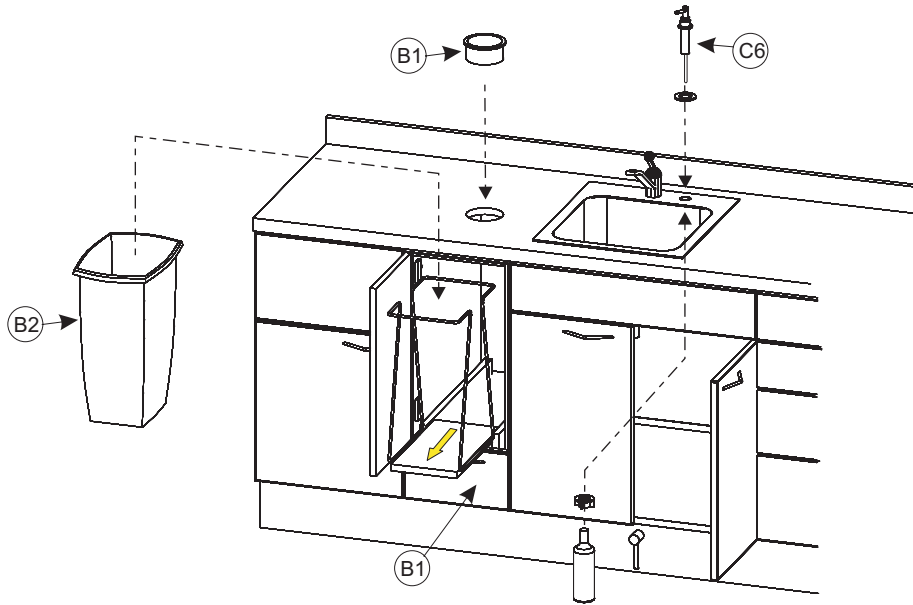


Figure 14

### Step 16

Insert Shelf Supports (J2) into the holes in the interior end panels in the Wall Cabinet (J) then set each Glass Shelf (J3) onto the Shelf Supports (see Figure 15).

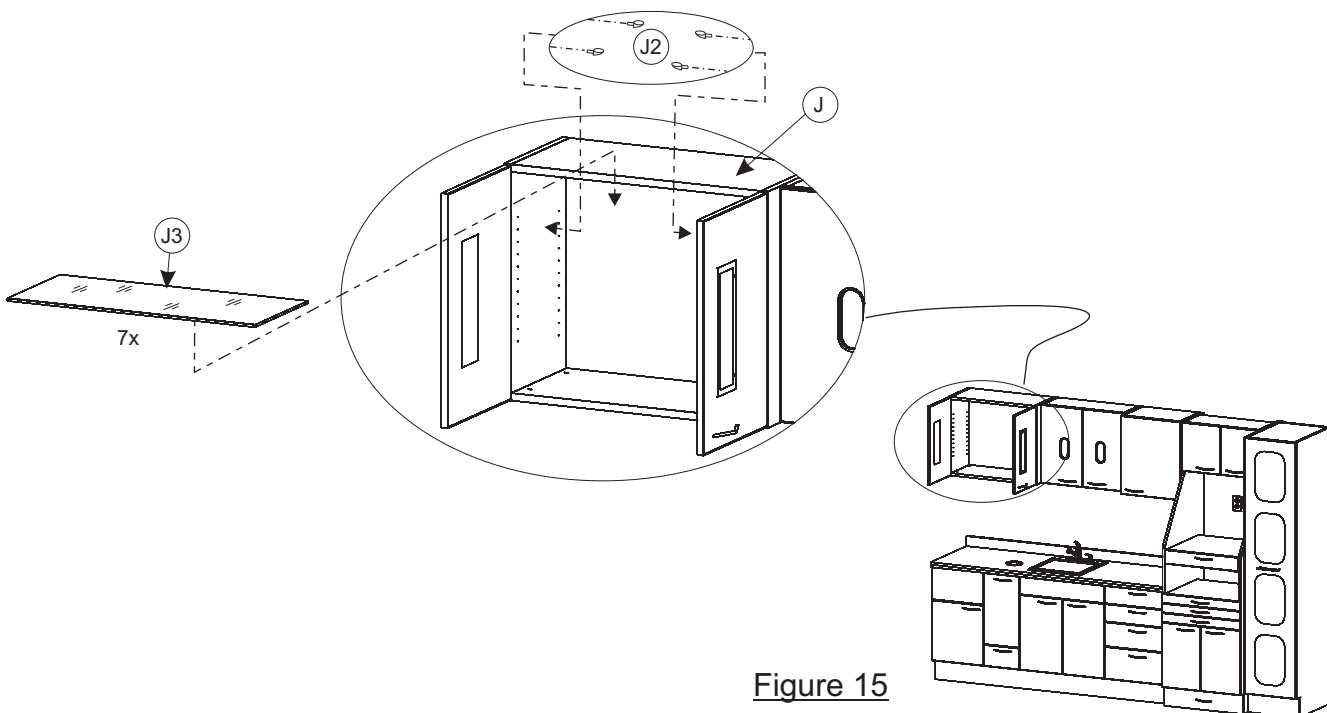


Figure 15

# Assembly Instructions

## Model: E-120

### Step 17

Insert Towel Dispenser (K3) and Cup Dispenser (K4) into proper openings in Wall Cabinet (K). Insert the Shelf Supports (K5) into the holes in the interior end panels then set the Shelf (K6) onto the Shelf Supports (see Figure 16).

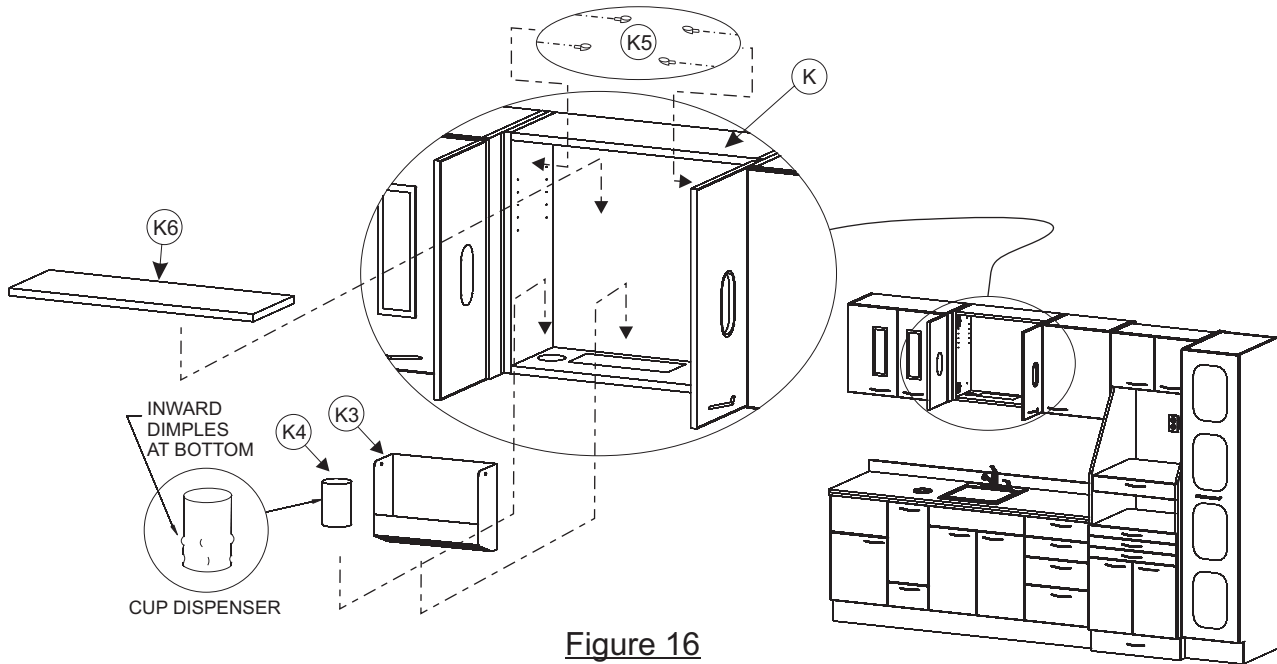


Figure 16

### Step 18

Insert Shelf Supports (L1) into the holes in the interior end panels in the Wall Cabinet (L) then set each Shelf (L2) onto the Shelf Supports (see Figure 17).

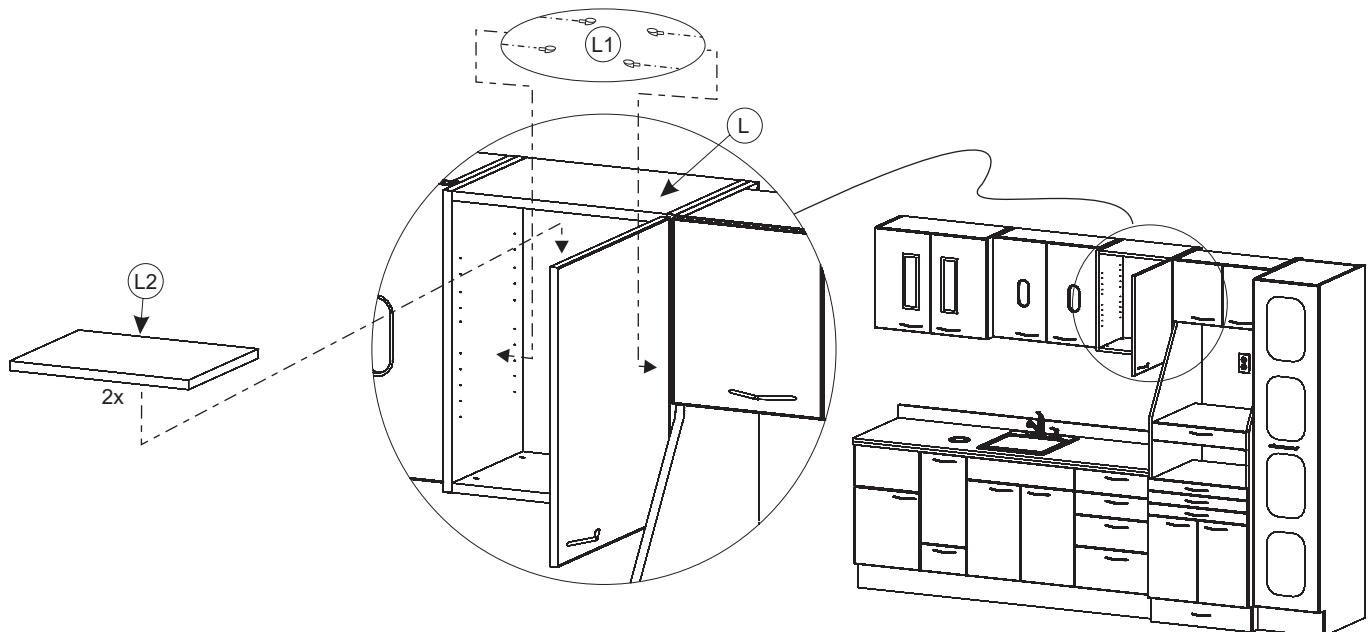


Figure 17

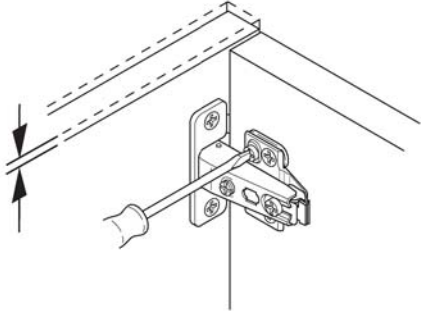
Installation Complete

# Hinge Adjustments

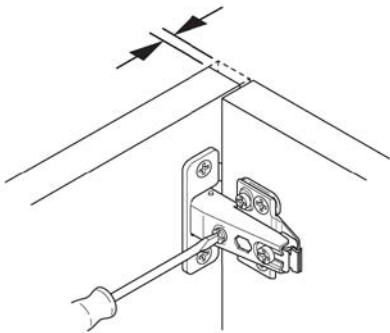
Model: E-120

## Hinge Adjustment For Standard Doors

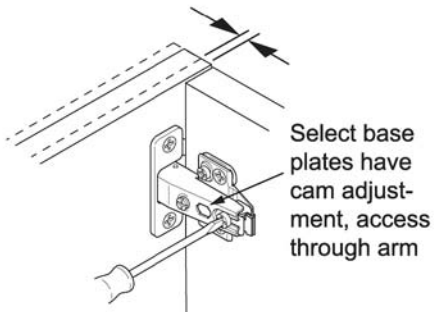
Height



Side

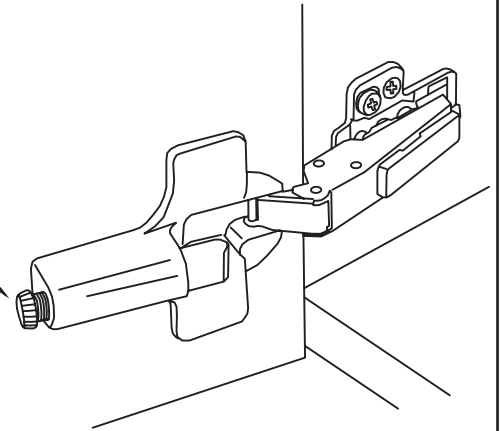


Depth



## G-Force™ Controlled Closing Device

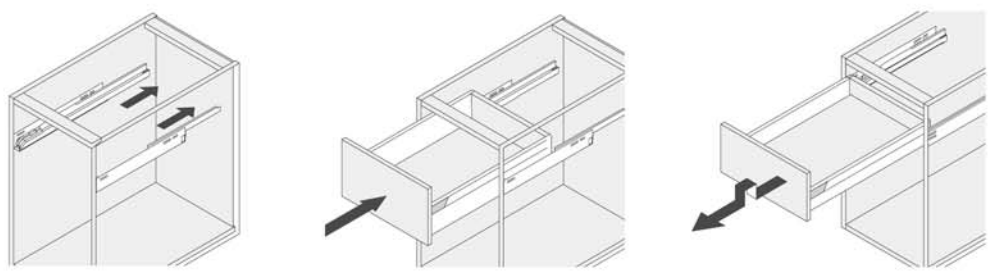
Knurled screw  
adjusts closing  
force



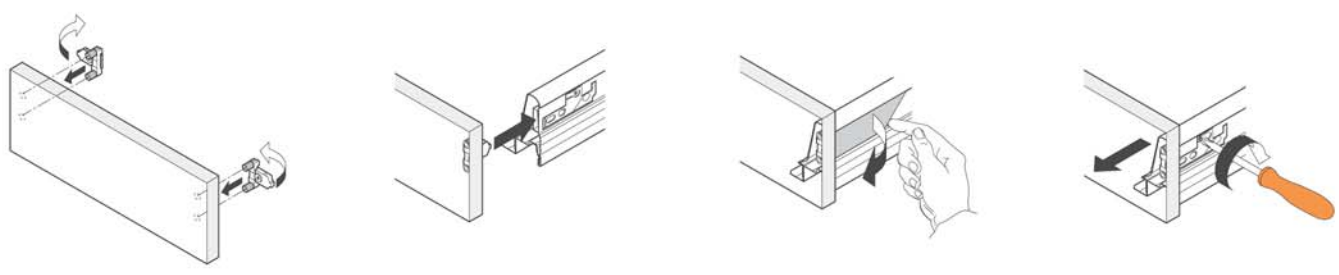
# Drawer Assembly/Removal/Adjustments

Model: E-120

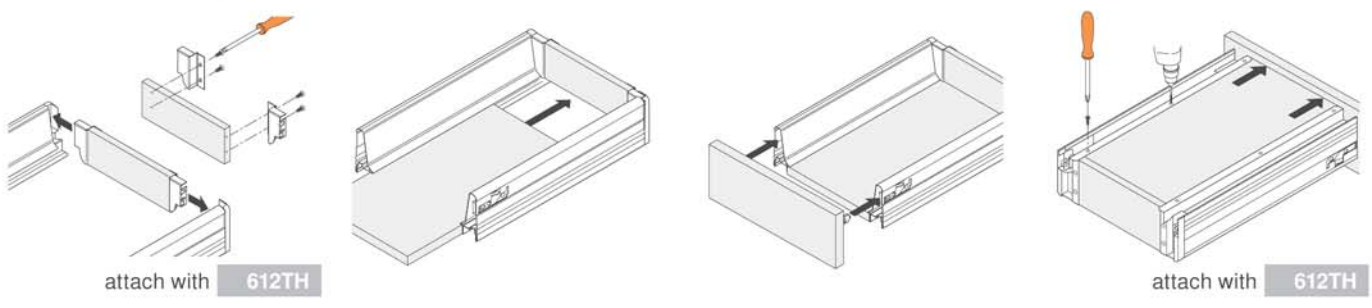
## Drawer insertion and removal



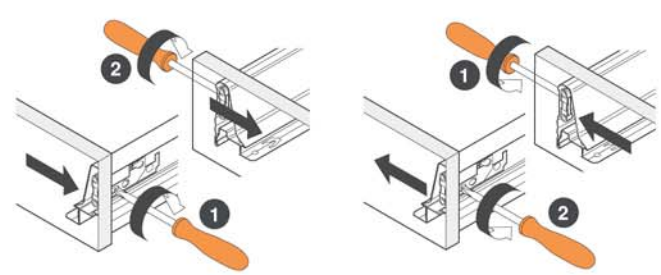
## Drawer front attachment and removal



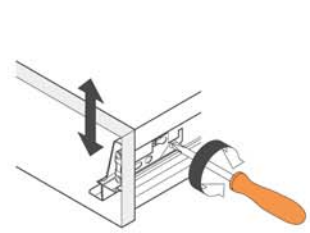
## Drawer assembly



## Side adjustment



## Cam height adjustment

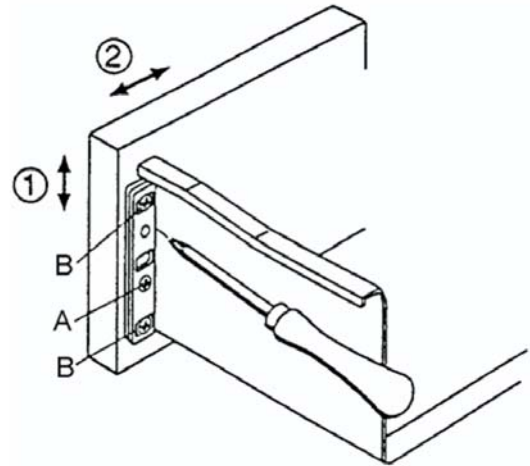


# Drawer Adjustments

Model: E-120

## Drawer Adjustment

- 1 – Height adjustment: Loosen screws **B** slightly. Adjust screw **A** (adjustment +/- 2mm). Tighten screws **B**.
- 2 - Side adjustment: Loosen screws **B** slightly. Adjust front to required position (adjustment range +/- 1.5mm). Tighten screws **B**.



## Quolis® Cabinetry Systems

### Laminate Surfaces Cleaning Instructions

The disinfectant solution should be applied in accordance with the instructions provided by the manufacturer.

The following solutions are recommended for laminate surfaces, they may also be used on metal and glass surfaces:

<u>Product</u>	<u>Manufacturer</u>
Birex®	Biotrol International
Kodak Clinasept Foaming Disinfectant	Kodak Catalogue #829-5230

Belmont is not responsible for any changes made by the manufacturer in the chemical composition of the cleaning solutions listed above, which may affect the surface finish after application.

### Cambria™ Quartz Surface Cleaning/Care/Maintenance

Cambria™ is care free therefore no sealing, buffing, polishing or reconditioning is required. Simply wash with a soft cotton cloth and warm water, use a mild soap if desired. If you have dry spills and desire to use a cleaner, Cambria™ recommends using one of the following products: *Clorox Anywhere, Clorox Anywhere (Hard Surfaces), Clorox Disinfecting Kitchen Cleaner, Clorox Wipes Bleach Free Lemon Fresh, Formula 409 Orange Power Daily Kitchen Cleaner, Goo Gone, Simple Green D Pro 3 Cleaner, Windex, Windex Multi-Surface Cleaner with Vinegar, 3M Glass Cleaner, Denatured/ Isopropyl (Rubbing) Alcohol, and Saniten N-313.*

***Please avoid selecting a variation of the products listed above, as most brands have multiple variations of product types; some variations may include chemicals or additives that could damage your Cambria™.***

***Desert Collection Colors may require more frequent attention from finger prints and other spills; Simple Green D Pro 3 and/or Rubbing Alcohol work very well in this situation.***

***DO NOT use abrasive or strong alkaline or acid (high or low pH) cleaner. DO NOT use or expose Cambria™ to bleach, oven cleaners, Comet®, Soft Scrub®, SOS®, products with pumice, batteries, paint removers, furniture strippers, tarnish or silver cleaners. DO NOT use abrasive or harsh scrub pads. DO NOT apply any sealers, penetrants, or tropical treatments to Cambria™ under any circumstances. Such products will wear off and cause the gloss to appear dull or inconsistent.***