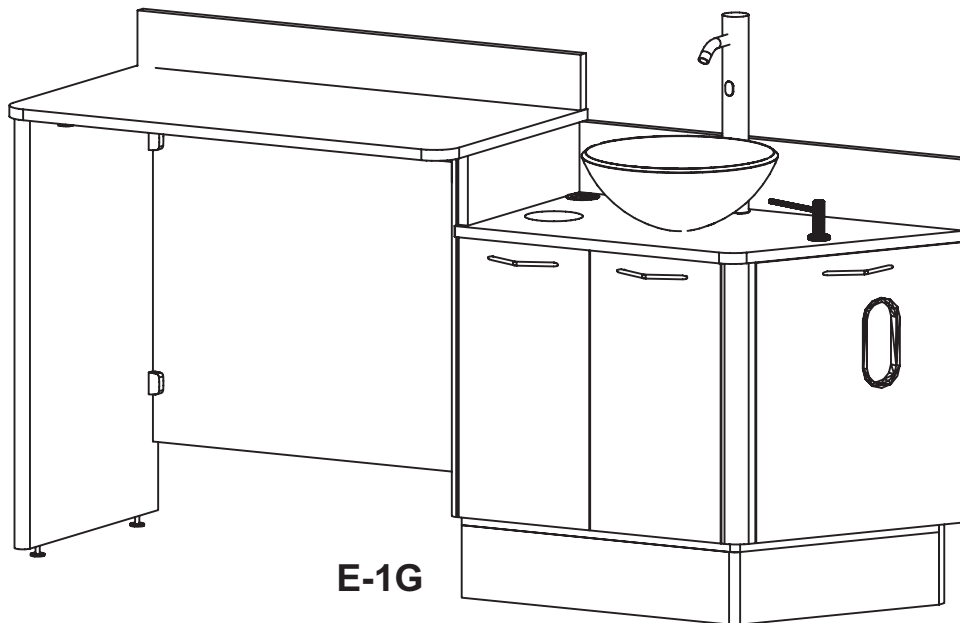
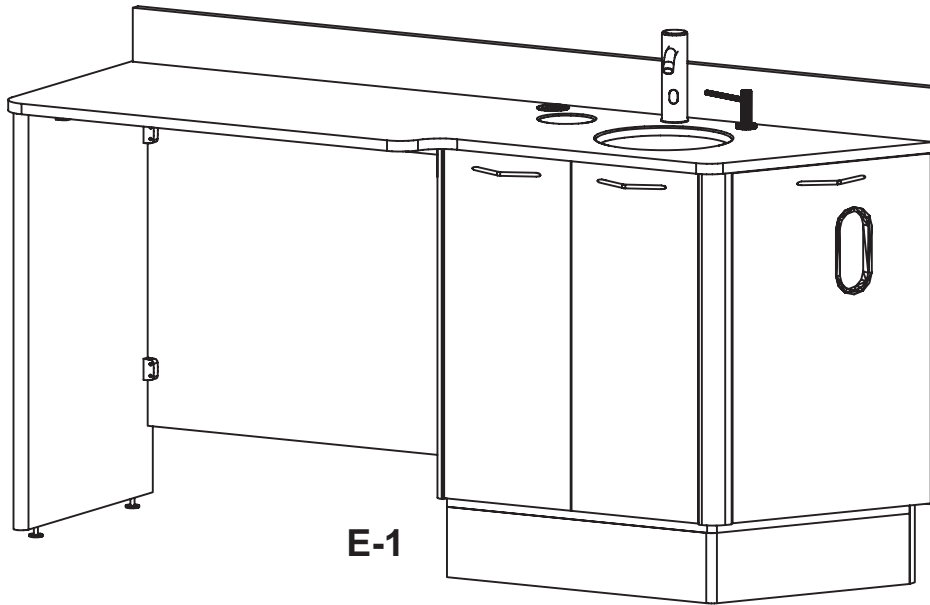


# *Installation Instructions & Owners Manual*

**E-Series Dental Cabinetry  
Model: E-1 / E-1G**



**Consumer: Please retain these instructions for future use.**

 **Belmont**

1631 Dr. Martin Luther King Drive  
St. Louis, MO 63106  
(314) 231-7383 (888) 833-3682  
Fax (314) 621-2296  
[www.belmontequip.com](http://www.belmontequip.com)

# General Cabinet Handling Information

Models: All

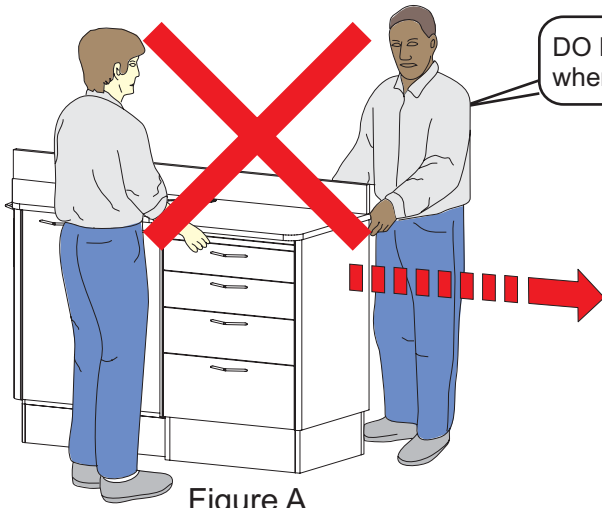


Figure A

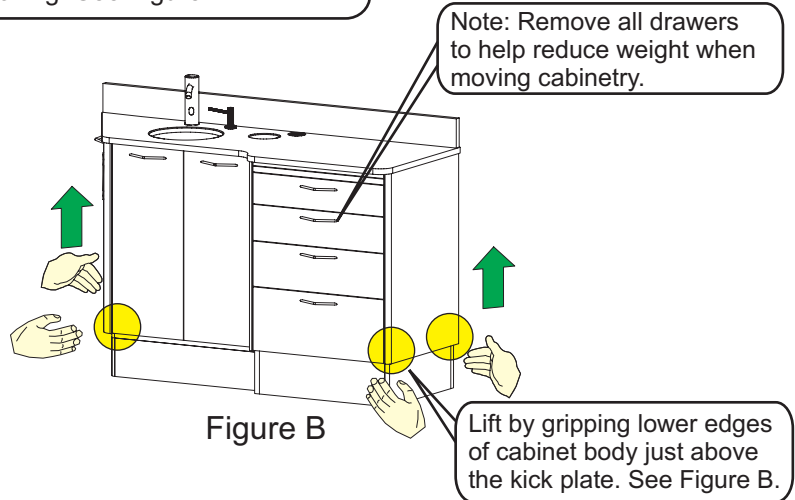


Figure B

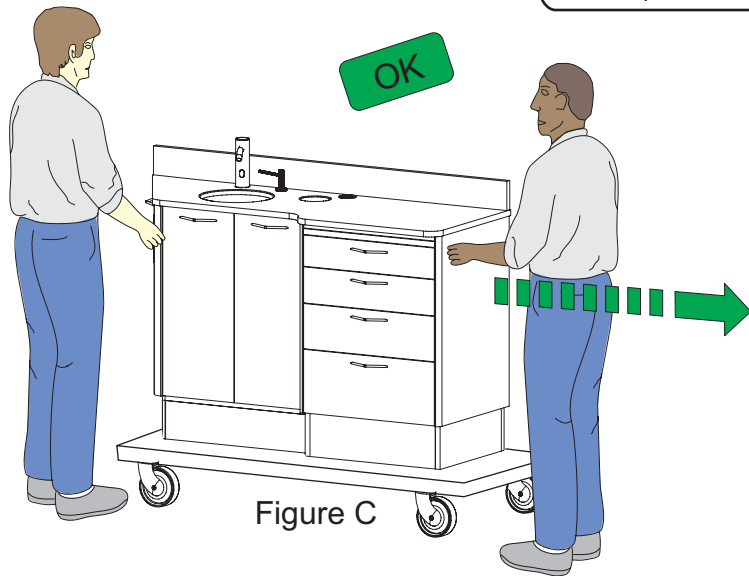


Figure C

Move by using some type of roller dolly, slings or a comparable moving aid. See Figure C and D.

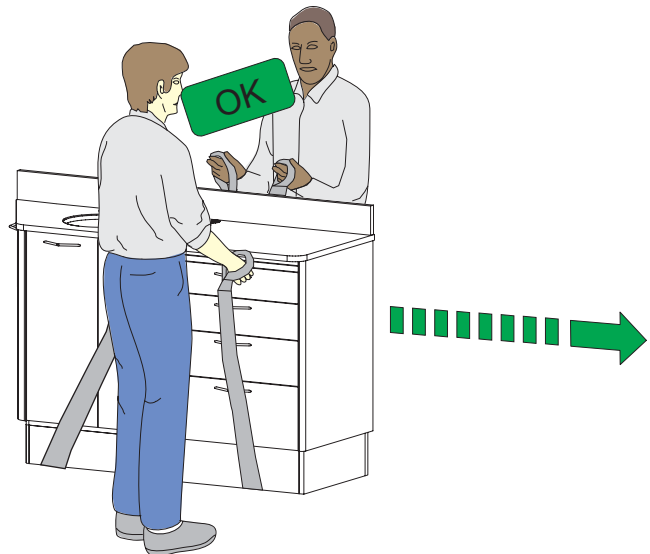


Figure D

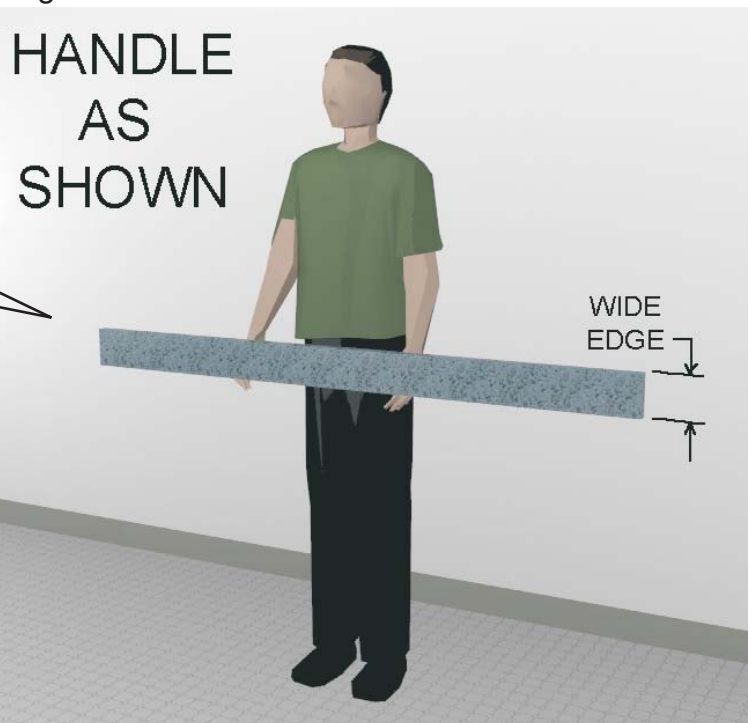
# Handling Information: Cambria Back Splash

Models: E-1 / E-1G / E-3 / E-3C

Figure A



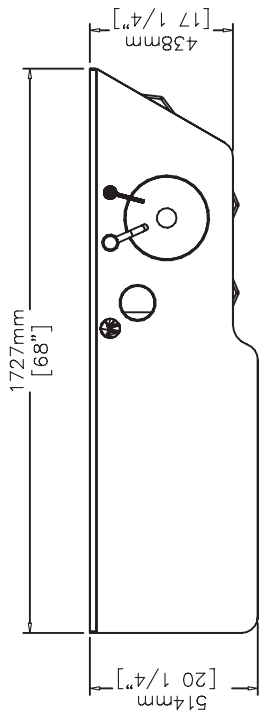
Figure B



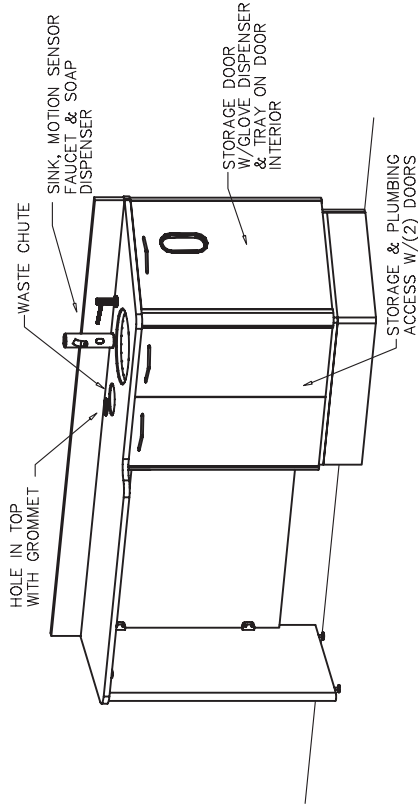
Handle the Cambria back splash with the wide edge perpendicular with the floor. See Figure B.

**Note:** To avoid damage to the Cambria back splash make sure you handle with care to avoid cracking of the Cambria material. Cambria is very hard but can crack if exposed to too much stress or sudden impact.

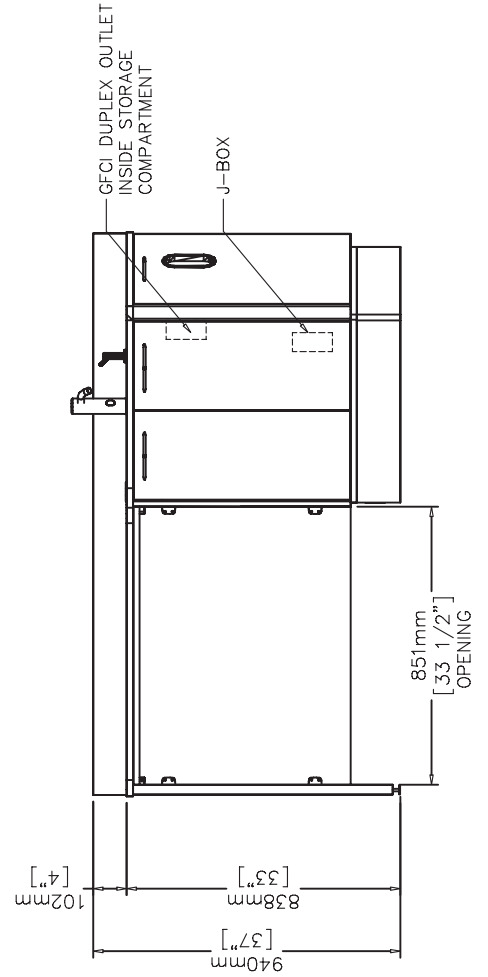
Description: E-1 DOCTOR'S CONSOLE



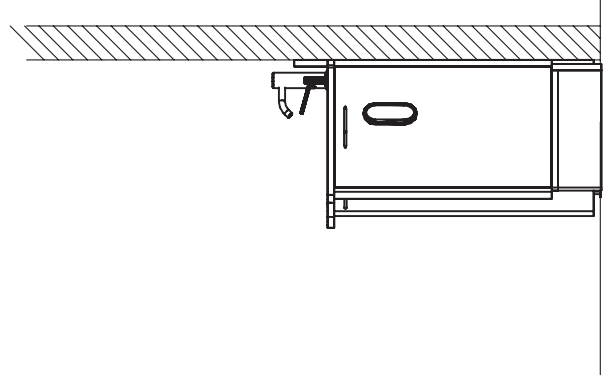
TOP VIEW



ISOMETRIC VIEW



FRONT VIEW



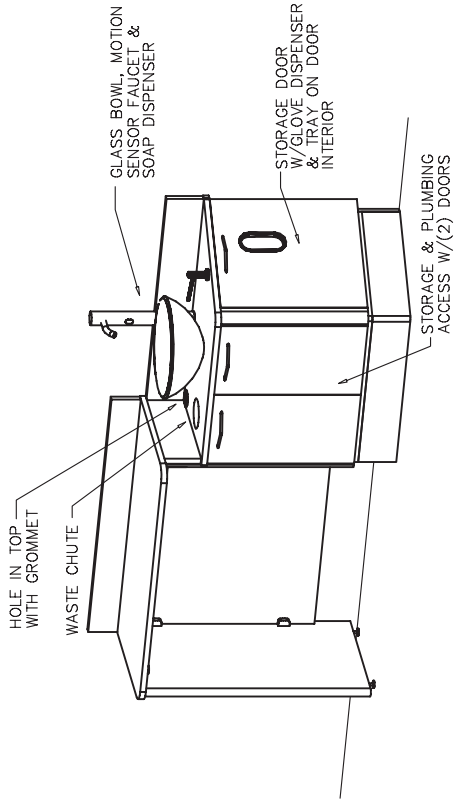
RIGHT SIDE VIEW

# Detail Drawings

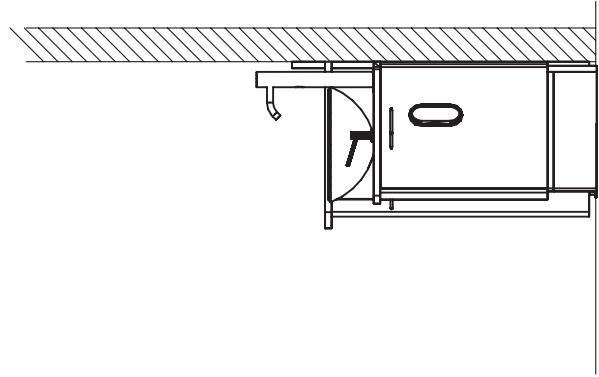
## Model: E-1

Description: E-1G DOCTOR'S CONSOLE w/GLASS BOWL

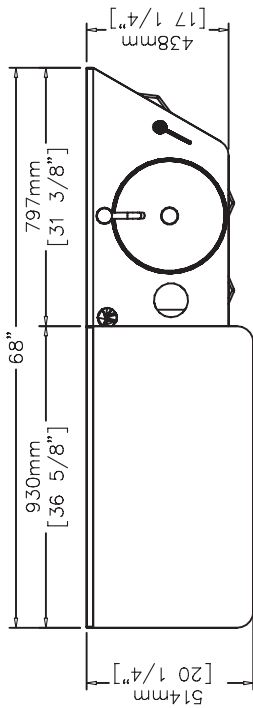
Rev-100107



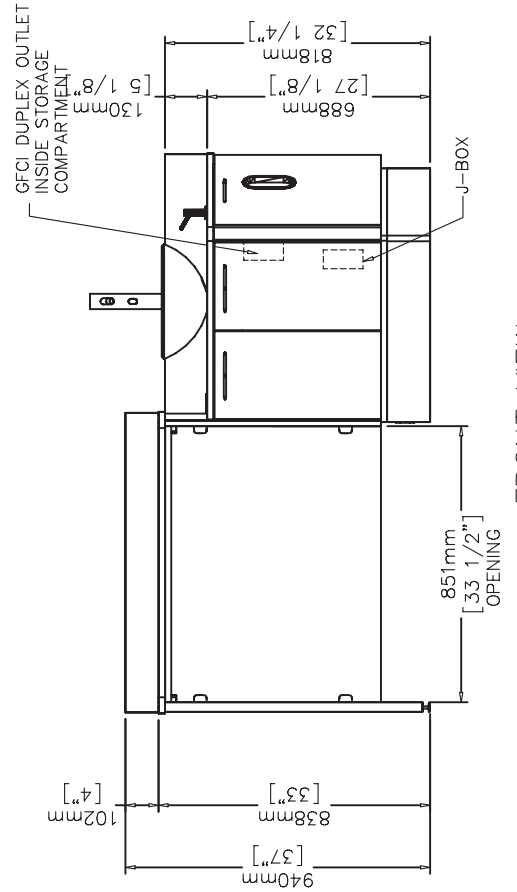
ISOMETRIC VIEW



RIGHT SIDE VIEW



TOP VIEW



FRONT VIEW

# Detail Drawings

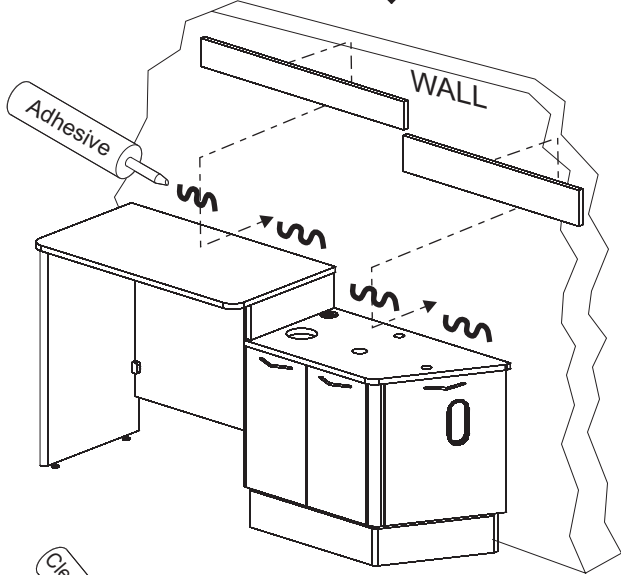
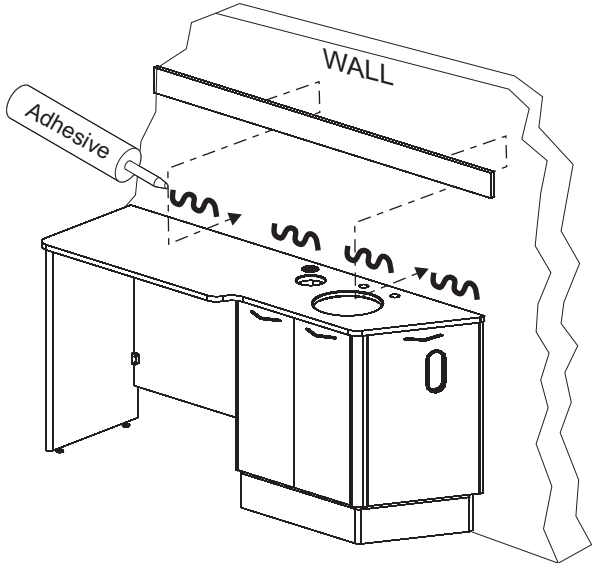
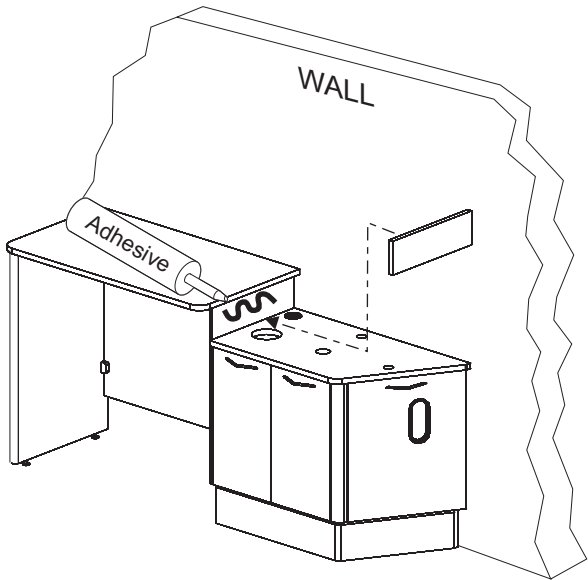
## Model: E-1G

**Note: Test fit pieces prior to glueing into place**

# Back Splash Mounting Model: E-1 / E-1G

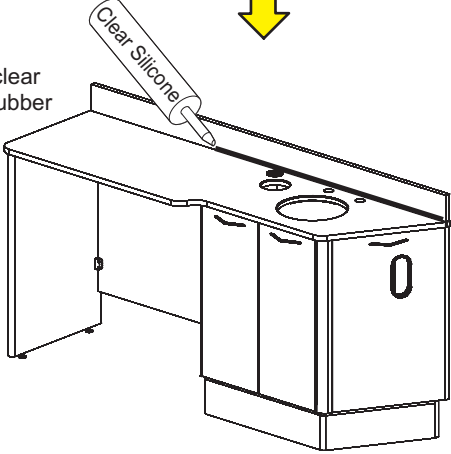
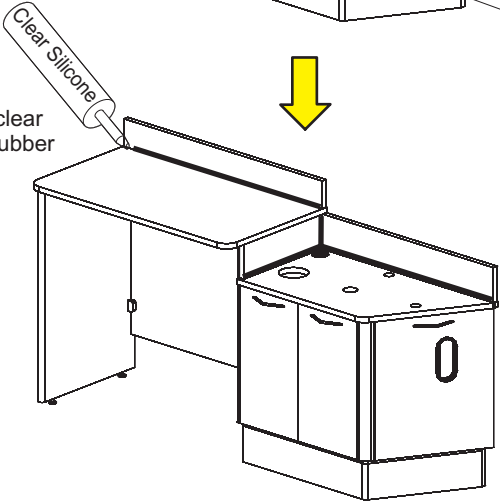
Model: E-1G

Model: E-1



Seal w/clear silicone rubber

Seal w/clear silicone rubber

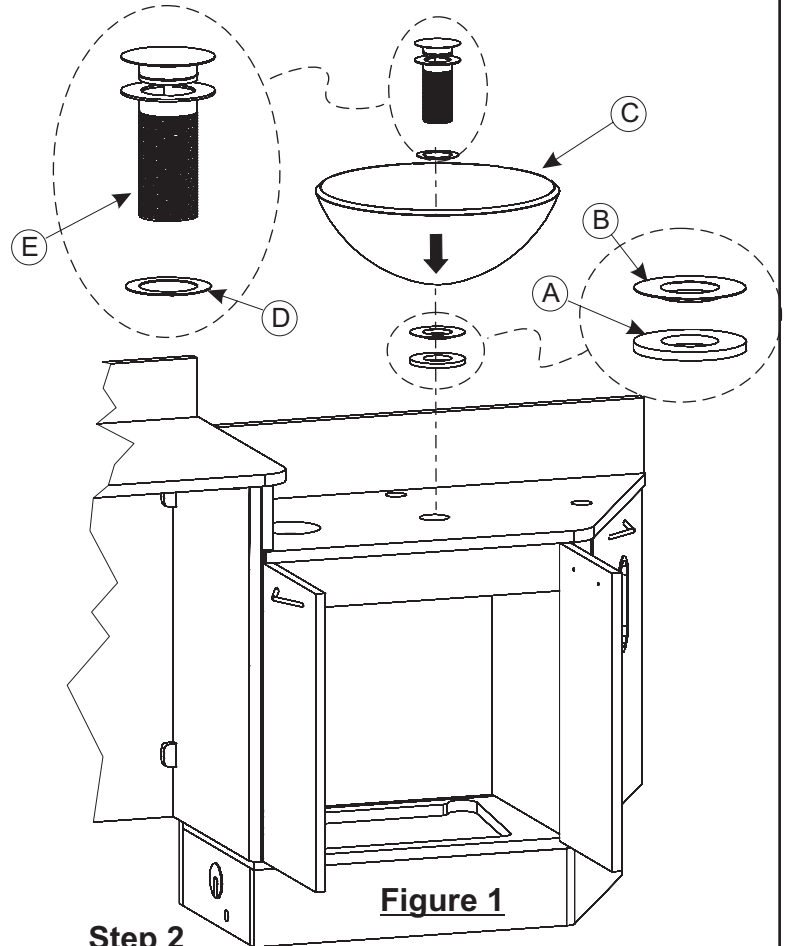


# Glass Bowl Installation

## Model: E-1G

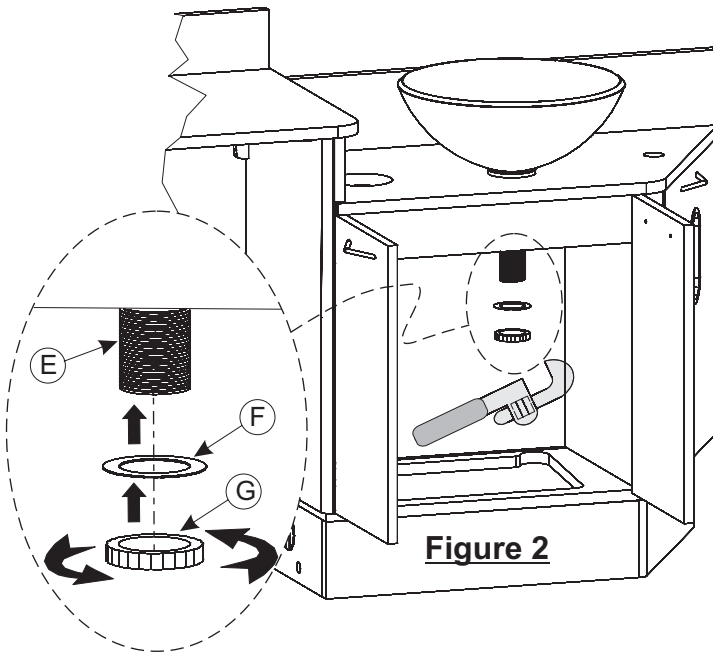
### Step 1

Place Mounting Ring (A), Large Rubber Washer (B), Glass Bowl (C) aligned over the hole in the counter top. Insert the Drain Assembly (E) with the Small Rubber Washer (D) through the hole in the Glass Bowl. (see Figure 1).



### Step 2

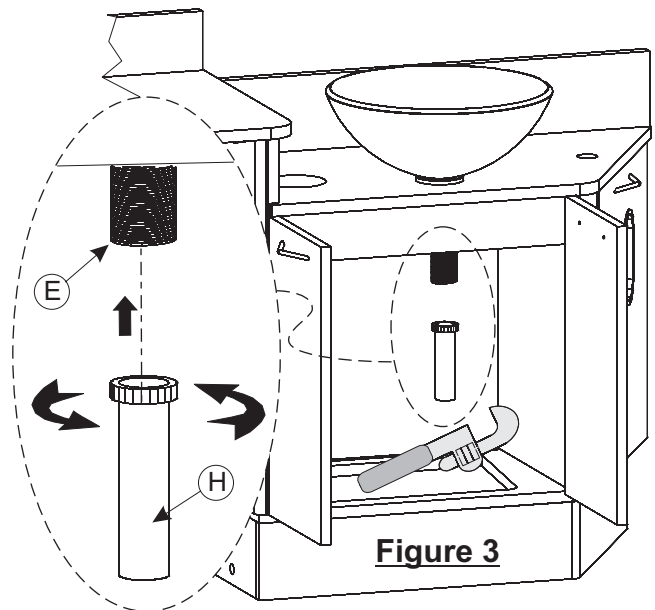
Connect Drain Assembly Nut (G) to Drain Assembly (E) along with the Small Plastic Washer (F) and hand tighten to check for alignment then use pipe wrench to complete tightening (see Figure 2). **CAUTION: DO NOT OVERTIGHTEN**



### Step 3

Connect Tail Piece (H) to Drain Assembly (E) and tighten using pipe wrench (see Figure 3). It may be necessary to cut off some of the Tail Piece to properly fit with remaining plumbing drain connections.

Make remaining plumbing drain connections per local codes and plumbing rough-ins.

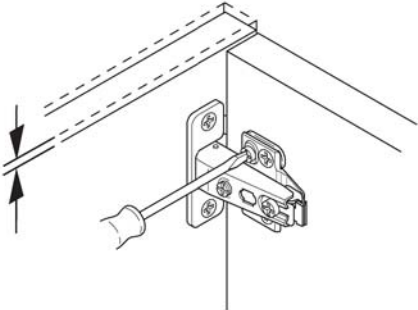


# Hinge Adjustments

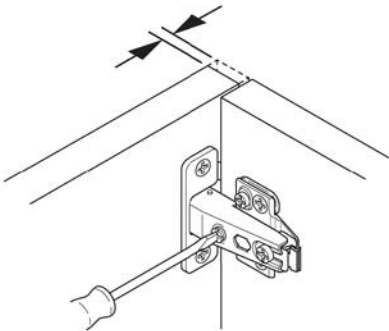
Model: E-1 / E-1G

## Hinge Adjustment For Standard Doors

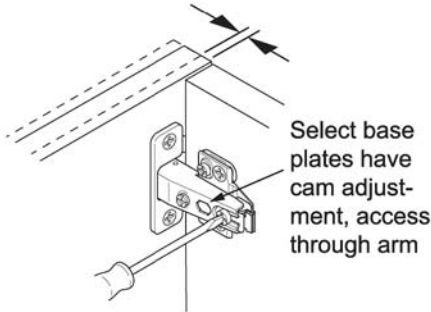
Height



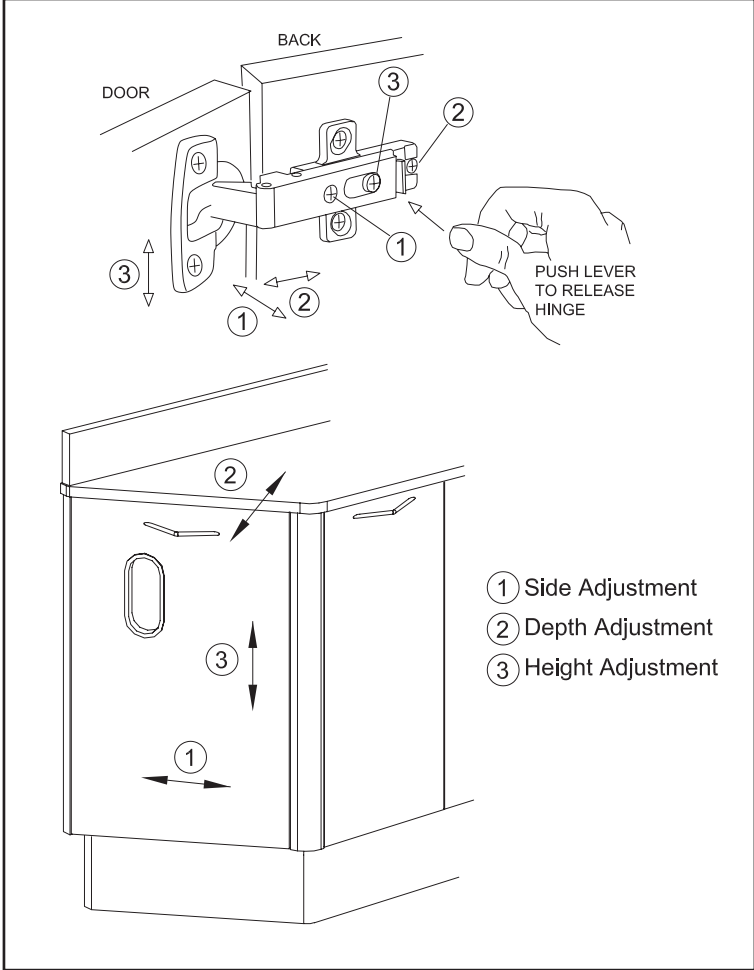
Side



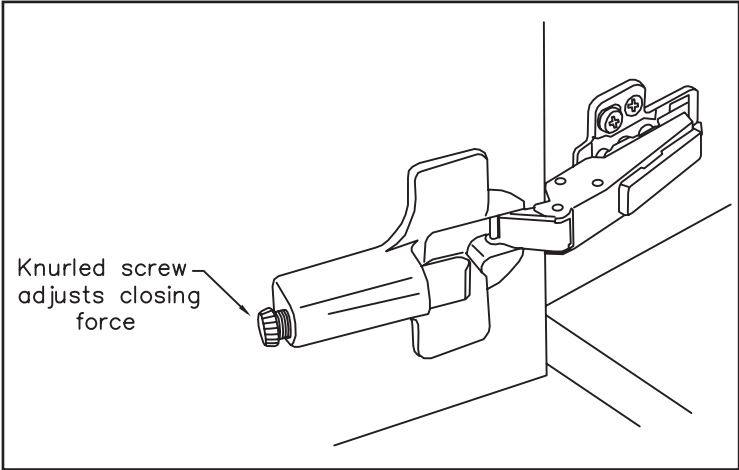
Depth



## Hinge Adjustment For Angled Doors



## G-Force™ Controlled Closing Device



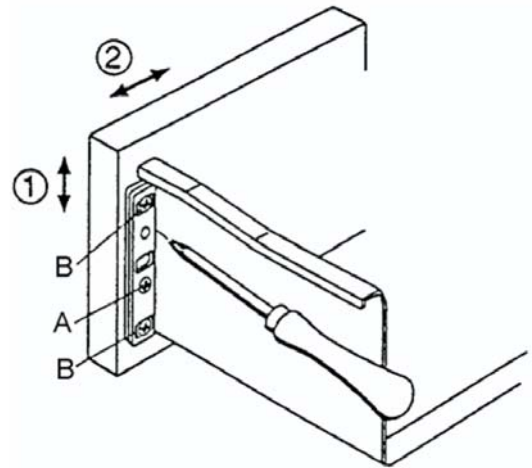
## Drawer Adjustments

Model: E-1 / E-1G

### Drawer Adjustment For 92-170 Drawer Option

1 – Height adjustment: Loosen screws **B** slightly. Adjust screw **A** (adjustment +/- 2mm). Tighten screws **B**.

2 - Side adjustment: Loosen screws **B** slightly. Adjust front to required position (adjustment range +/- 1.5mm). Tighten screws **B**.





# Water Bottle Mounting BDS-2555

Model: E-1 / E-1G

## **Bracket Mount**

Water bottle to be mounted to the BDS-2555 mounting bracket.

Attach with (2) M4 x 12 screws.

See Figure 1

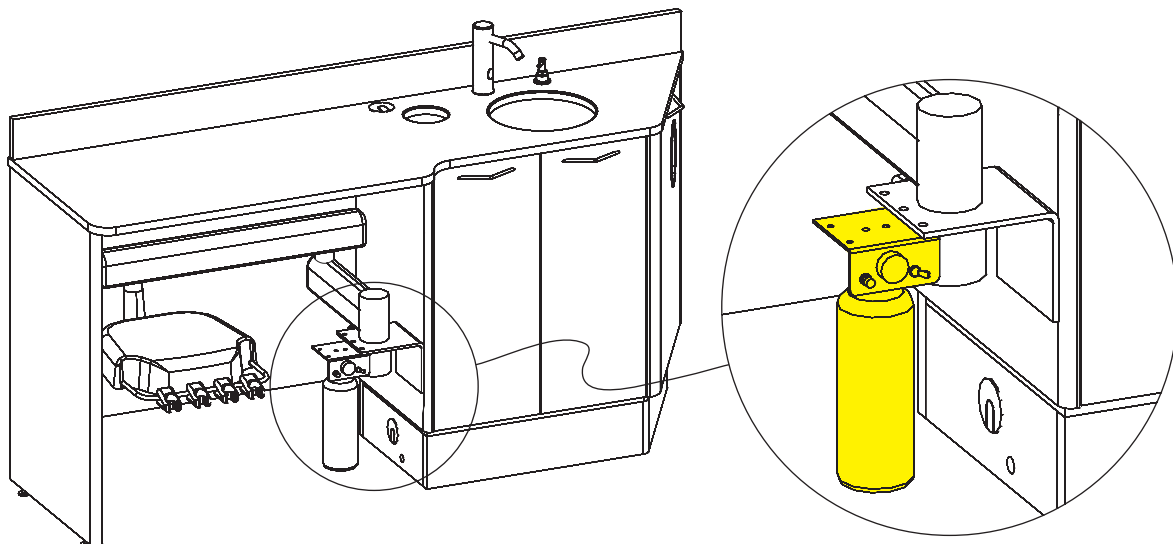
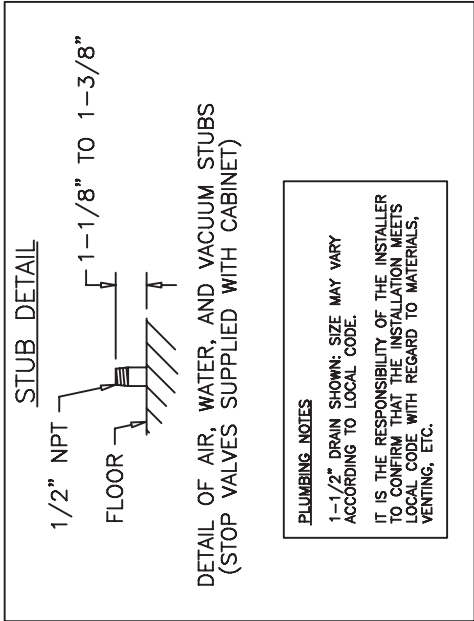
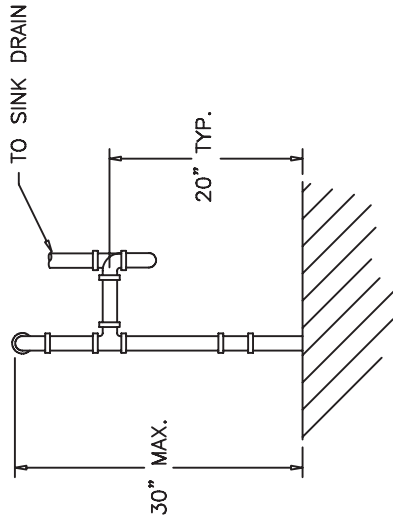
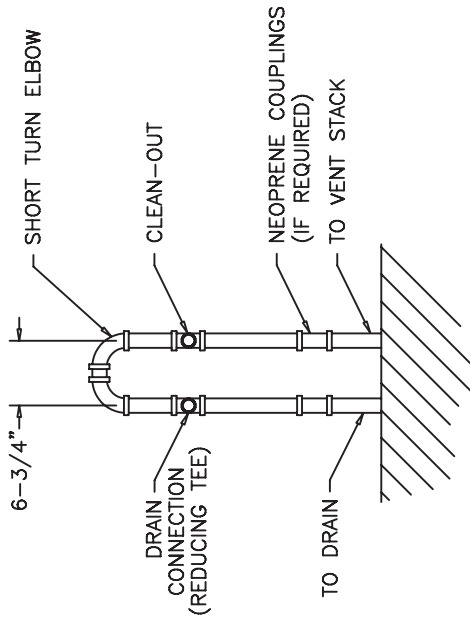
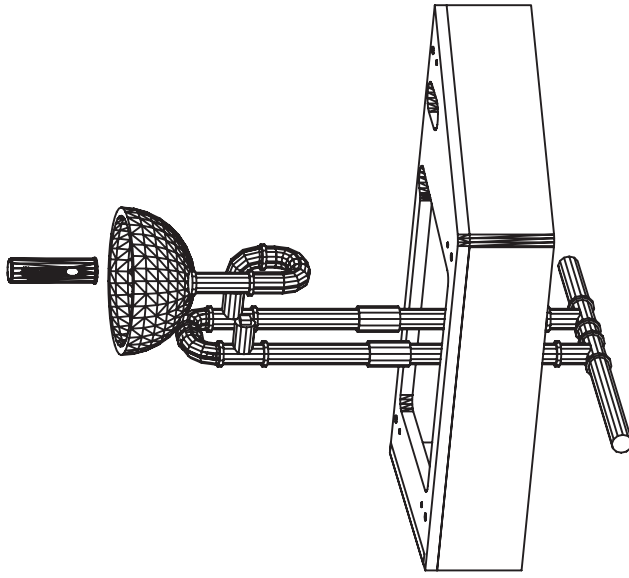


Figure 1

# Floor Template Plumbing Details

Model: E-1 / E-1G

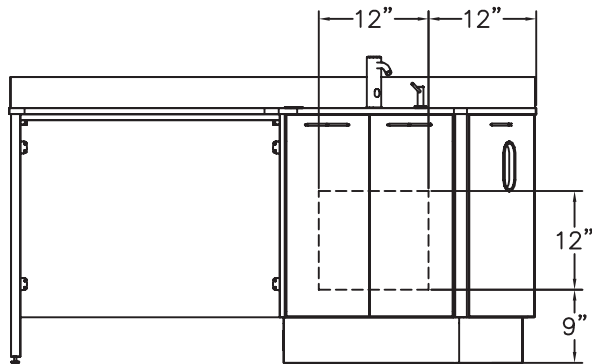
LOOP VENTING (E-1 ONLY)  
 IF LOOP VENTING IS REQUIRED AT  
 INSTALLATION SITE SEE THESE DIAGRAMS.  
 NOTE: VENT LOOP NOT APPLICABLE  
 FOR E-1G MODELS



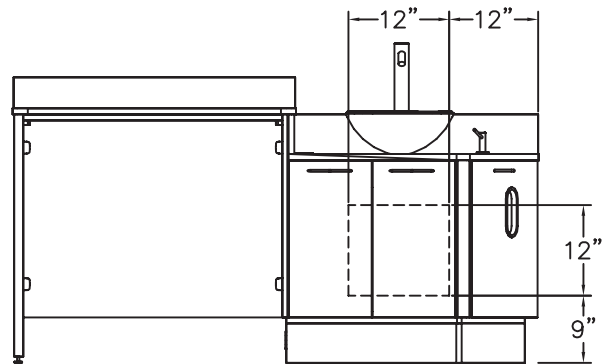
# Wall Template

Model: E-1 / E-1G

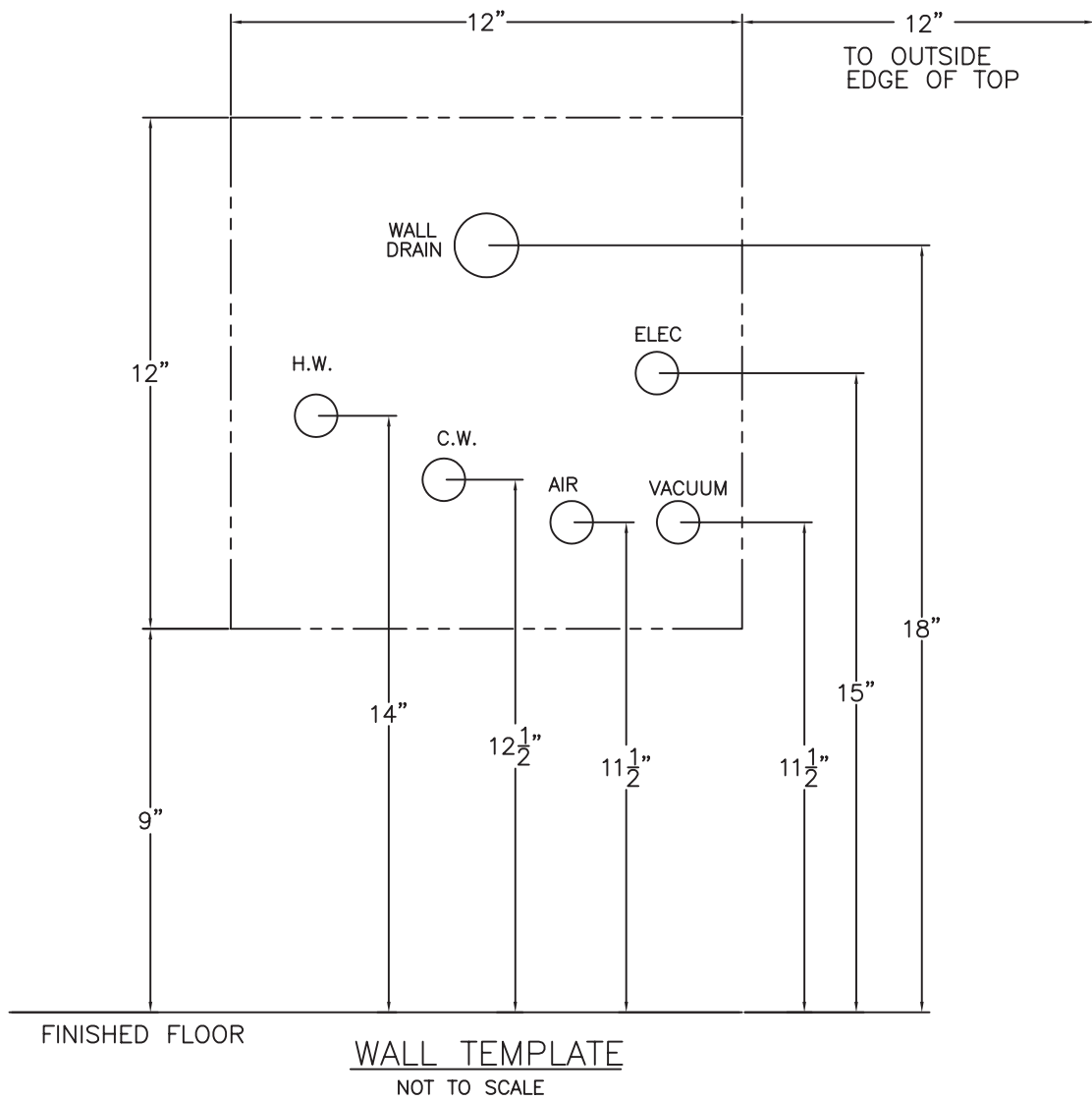
## WALL TEMPLATE REAR PLUMBING



E-1  
FRONT VIEW  
NOT TO SCALE



E-1G  
FRONT VIEW  
NOT TO SCALE



# Motion Sensor Faucet Installation

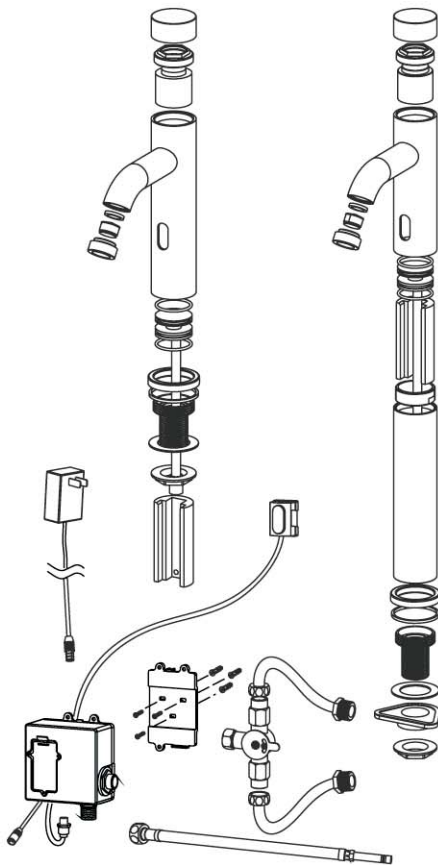
Model: E-1 / E-1G

Thank you, your Excellency of insight, for purchasing this Motion Sensor Faucet. We believe that you will be gratified unlimitedly. You are the honorable guest from now on and we'll provide you with preferred service always. To keep this product work efficiently fully exerting its unique performance and prolong its life, We recommend you to read the following information carefully before usage, which can ensure that you use this product normally.

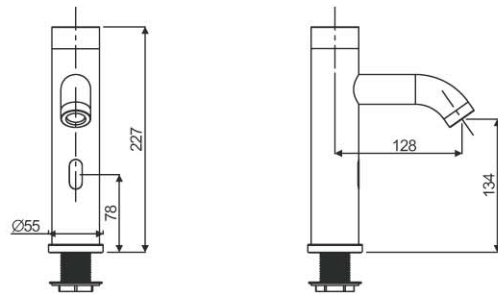
## PRODUCT PERFORMANCE DATA

Model No.	SGU-4520/SGU-4522
Inlet Thread	1/2-14BSP
Work pressure	0. 05-0. 75MPa
Condition	1- 45 °C (water temperature: 1-50°C)
Sensing Time	Start work after 1 second sensing time

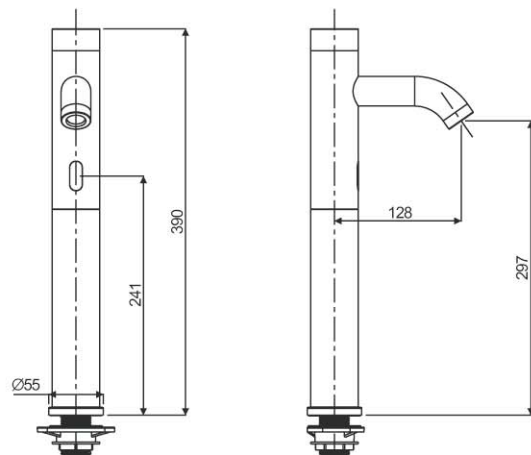
## PRODUCT COMPONENT LIST



## DIMENSIONS



SGU-4520



SGU-4522

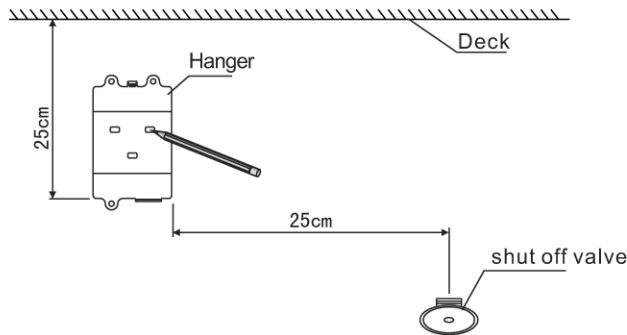
UNIT = mm

# Motion Sensor Faucet Installation

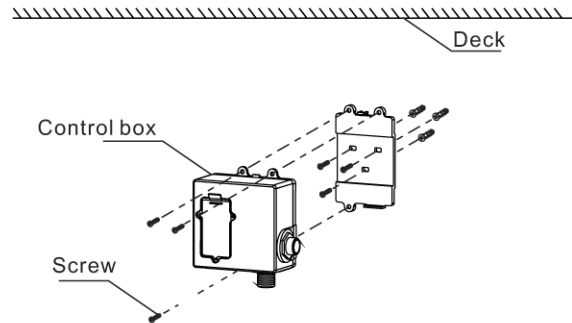
Model: E-1 / E-1G

## INSTALLATION INSTRUCTIONS

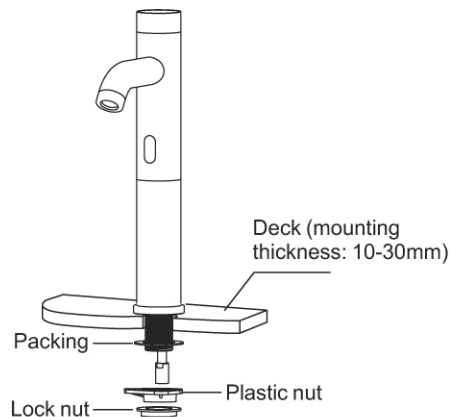
1. Mark a centerline of each mounting hole about 25cm (optional by the actual height when installing) under the deck and keep a certain distance between hanger and shut-off valve.



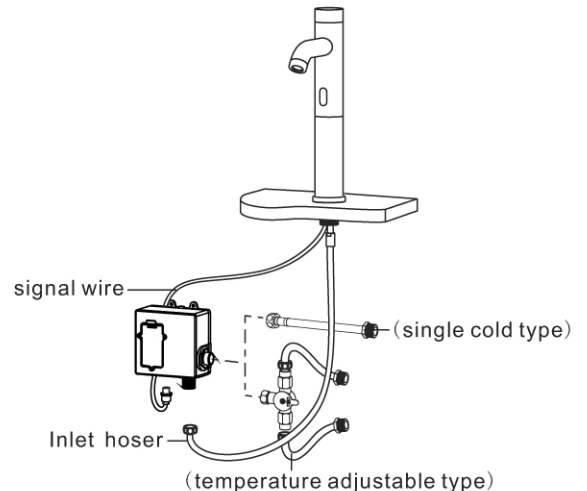
2. Drill 3 small pilot holes for pressing Anchors into the wall, then secure Hanger to the wall under the lavatory and put the control box onto the hanger all with screws.



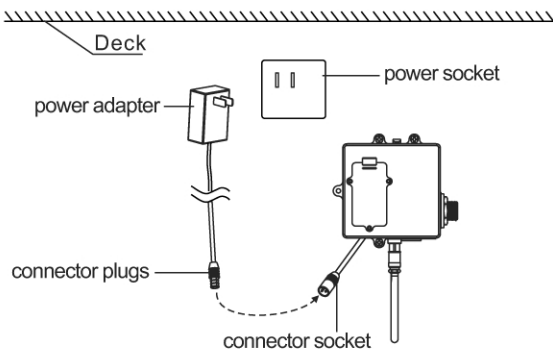
3. Take off the components under the body and insert the bottom of the body in the hole of  $\varnothing 32 - \varnothing 42$  mm drilled on lavatory or deck before (the mounting thickness of the lavatory or the deck shall be controlled between 10mm and 30mm). Secure the body on the lavatory with lock nut after appropriate adjustment.



4. Connect to inlet hose and signal wire ensuring the signal wire plug shall be well connected as per the direction of sensing socket on the control box and the inlet hose shall be well connected as shown, then tighten up nut.



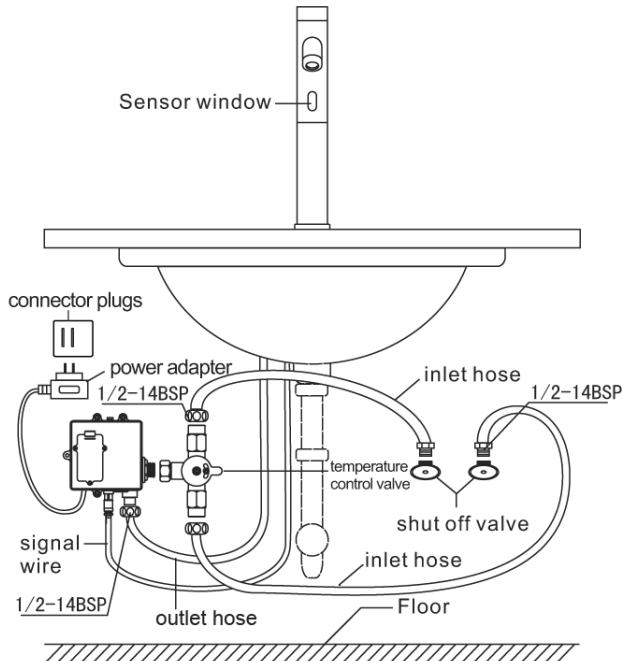
5. Insert connector plugs into the connector socket in a right direction and connect the power adapter to the power socket. (The electric eye will automatically detect the sensing distance after power on, so don't put your hand in front of the sensor window to avoid influencing the detection of sensing distance when connecting to the power).



# Motion Sensor Faucet Installation

Model: E-1 / E-1G

## PRODUCT CONNECTION SKETCH



## PRODUCT PERFORMANCE

1. Automatically set sensing distance: After electrified for 10 sec., the faucet control device will automatically set the sensing distance after measuring and calculating by scanning the background in front of the sensor window such as the depth and shape of lavatory. After the Indicator Lamp shining for 4 times, the faucet can work normally. (Please note that during scanning no water or other impurities can be left in the lavatory, and hand shall not shake in front of the sensor window, or else, it will affect the scanning result so that the faucet can't work normally or the sensing distance is too short.
2. Sensing time: Water runs out automatically after putting your hand in front of the sensor window for about 1 sec. and automatically stop after withdrawing your hand from the sensing scope. And it will automatically be shut off if the sensing time be over 30 sec., which can prevent water waste caused by triggering by error.
3. When setting temperature control valve, Loosen Lock Screw a little bit and turn Temperature Adjustable Piece to appropriate position for an actually required temperature, and then tighten Lock Screw back to the temperature Control Valve.

## APPLICATION AND PERFORMANCE OF THE PRODUCT

1. This product shape is beautiful and generous, which can be easily installed in the public building such as hotel, office building or hospital and in the house.
2. It is economical and practical for auto control of infrared, which can avoid the waste of water.
3. It is convenient and healthy for no need of touching the faucet. Water runs out automatically after putting your hand in front of the sensor window and automatically stop after withdrawing your hand.

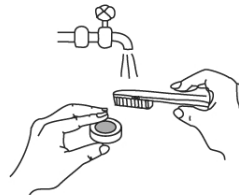
## ATTENTIONS AND MAINTENANCE

### 1. CLEAN



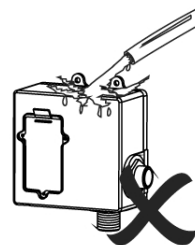
When there is barrier or filth on the front of the sensor window, which affect its normal sensing, do not clean it by acid or alkaline cleaner, pls use cloth with neutral diluted cleaner or alcohol to wipe it first and then clean it by dry cloth.

### 2. CLEAN THE FILTER NET



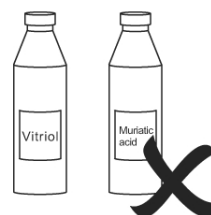
Turn off the main water supply and turn down the filter net to clean it by toothbrush, and then reassemble it.

### 3. DON'T DIRECTLY WASH IT BY WATER



Since the electronic control circuit is contained in the control box, do not directly wash it by water to avoid accident.

### 4. DON'T USE CORROSIVE CLEANER



When cleaning, don't use corrosive cleaner to avoid damage and effect on appearance.

# Motion Sensor Faucet Installation

Model: E-1 / E-1G

## TROUBLE SHOOTING CHART

SYMPTOMS	PROBABLE CAUSE	CORRECTIVE ACTION
No water out	Power in Batteries is not enough	Replace Batteries
	Power off	Waiting for power on
	Switch Valve close	Turn on Switch
	Electrical Equipment is humidified	Replace Electrical Equipment
Small flow quantity	Inlet water pressure is not enough.	Increase water pressure
	Main Valve or Filter Net in Aerator is obstructed	Take out Filter Net to clean
Continuously flow	Too Dirty Sensor Window	Clean Sensor Window
	Solenoid Valve hole is obstructed	Clean Solenoid Valve

### SENSOR FAUCET LIMITED WARRANTY

Thank you and congratulate on your purchasing of this Motion Sensor Faucet.

If inspection of this product within two years after its initial installation conforms that it is defective in materials or handwork We will repair or, at its option, exchange the product for a same model. (If there's no same model, The similar one will be provided. The right we'll reserve)

"This warranty does not apply in the event of product damage due to the following cases:

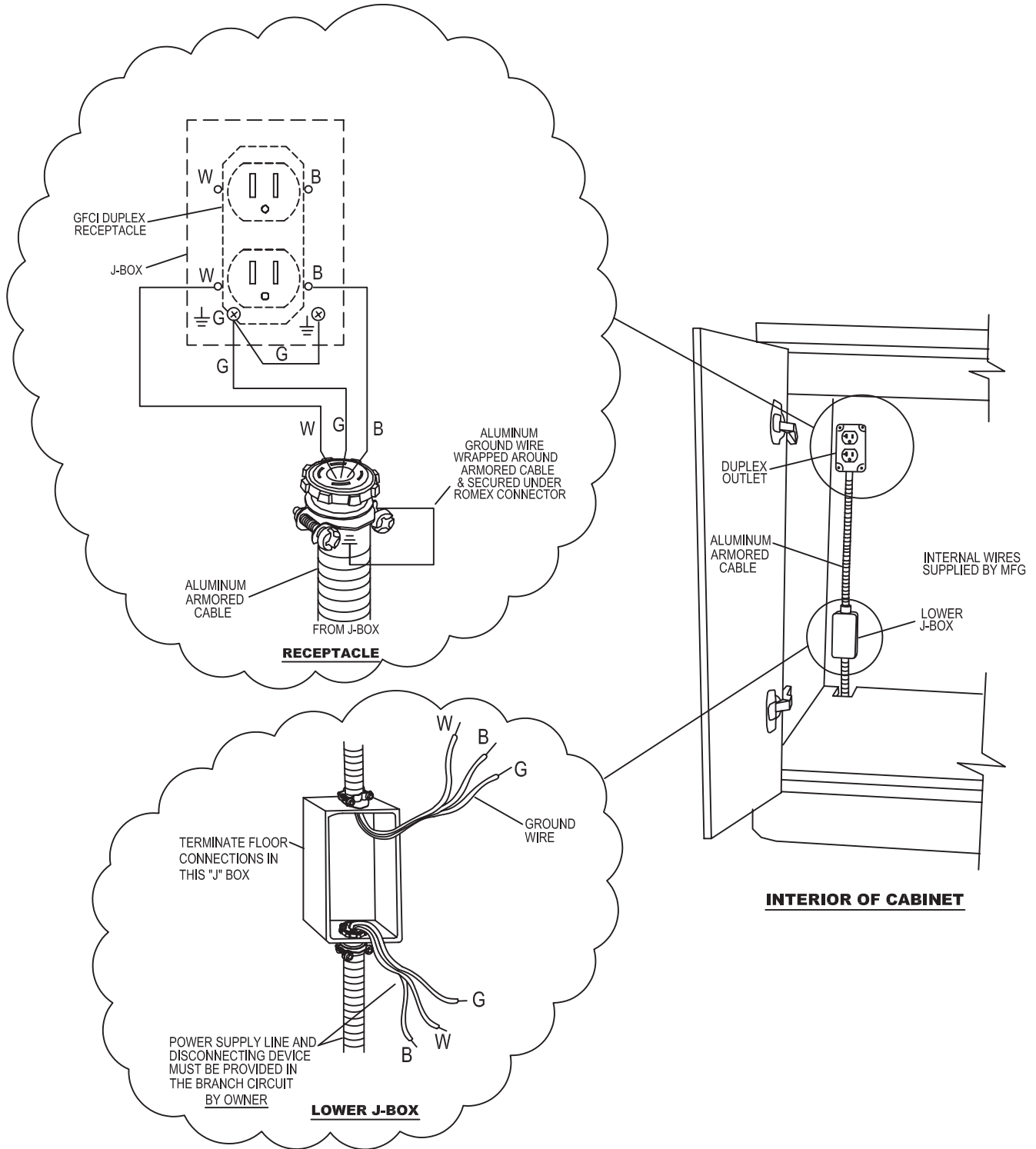
1. Trouble or damage caused by deposit or impurity in water supplies.
2. Quality problem or product damage caused by transportation error, installations error, product change, abuse, improper care and maintenance or use of other than genuine We replacement parts (Regardless these errors are caused by skilled worker, contractor, specialty man or user)
3. Change caused by normal wear and tear or dripping.
4. Normal maintenance loss such as periodically replaced packing, sealing washer and etc.
5. Transportation charge for maintenance or replacement product and labor charge or other related charge for disassemble or installation.
6. Fault damage or such responsibility, transportation responsibility or intentional damage, all of which are hereby expressly excluded from the coverage of this warranty.
7. Responsibility, which is available for local specification. (Since there are great difference between each area, special dealer, dealer, installing contractor and user shall decide to follow the install specification or change to use a special product.)"

For service under this limited warranty contact your local We dealer, describing the product model and the problem and including your proof of purchase.

# Electrical Schematic

Model: E-1 / E-1G

## E-1/E-1G, E-3/E-3C/E-3G/E-3CG & E-8/E-8G ELECTRICAL HOOKUP



# Electrical Specifications

Model: E-1 / E-1G

## E-1 & E-1G Electrical Specifications

**IMPORTANT NOTE:** Approved electrical components and designs are used in the cabinet; however, the procedures described herein must be performed by a licensed electrician using approved methods and materials according to the local code governing the installation site.

### General Electrical Notes

- Each cabinet should be wired to a **SEPARATE 15 Amp circuit**.
- Unless otherwise specified, **ALL WIRING** supplied by the contractor must be **APPROVED 12 Ga. AWG**.
- Type B equipment providing a particular degree of protection against electric shock, particularly regarding: allowable leakage current, & reliability of the protective earth connection (if present).
- Disconnect device must be provided in the branch circuit by electrician.

## Quolis® Cabinetry Systems

### Laminate Surfaces Cleaning Instructions

The disinfectant solution should be applied in accordance with the instructions provided by the manufacturer.

The following solutions are recommended for laminate surfaces, they may also be used on metal and glass surfaces:

<u>Product</u>	<u>Manufacturer</u>
Birex®	Biotrol International
Kodak Clinasept	Kodak
Foaming Disinfectant	Catalogue #829-5230

Koken is not responsible for any changes made by the manufacturer in the chemical composition of the cleaning solutions listed above, which may affect the surface finish after application.

### Cambria™ Quartz Surface Cleaning/Care/Maintenance

Cambria™ is care free therefore no sealing, buffing, polishing or reconditioning is required. Using soap and water is sufficient to clean the Cambria™ Quartz surface.