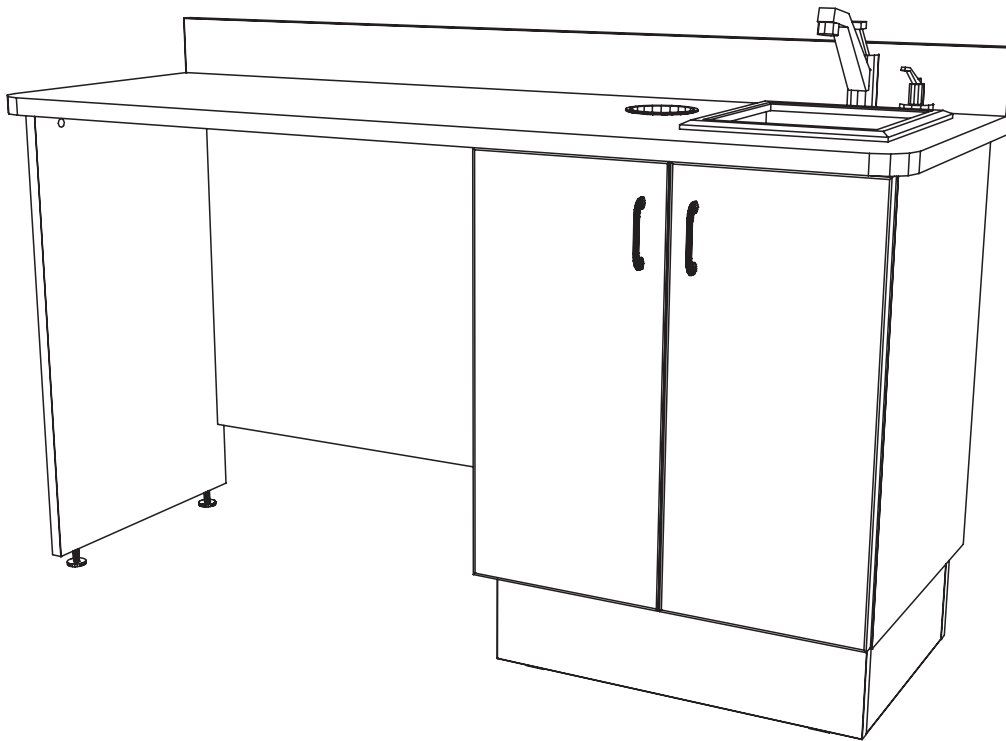


# *Installation Instructions & Owners Manual*

**ECO-Sys Dental Cabinetry  
Model: ECO-1**

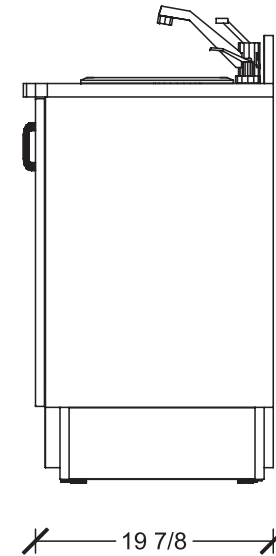
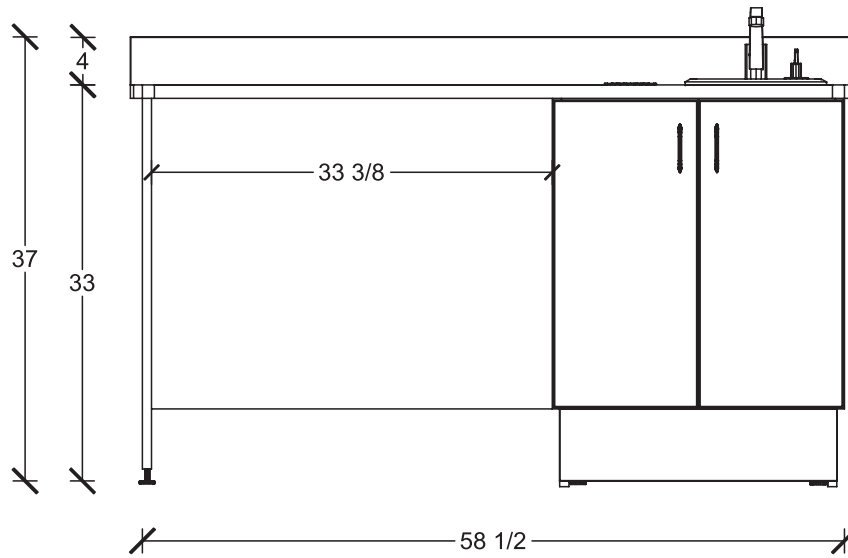
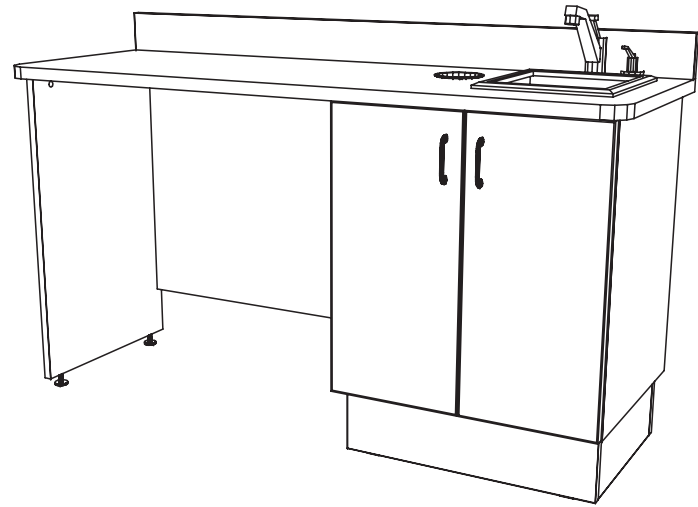
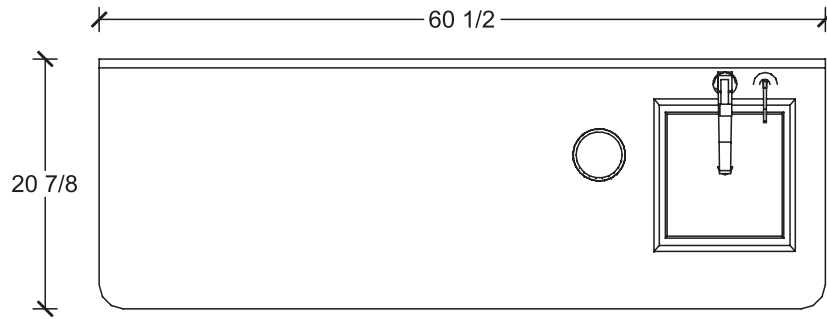


**Consumer: Please retain these instructions for future use.**

 **Belmont**

1631 Dr. Martin Luther King Drive  
St. Louis, MO 63106  
(314) 231-7383 (888) 833-3682  
Fax (314) 621-2296  
[www.belmontequip.com](http://www.belmontequip.com)

# Description: ECO-1 DOCTOR'S SIDE CONSOLE



ECO-Sys Dental Cabinetry  
Model: ECO-1

# General Cabinet Handling Information

Models: ECO-1

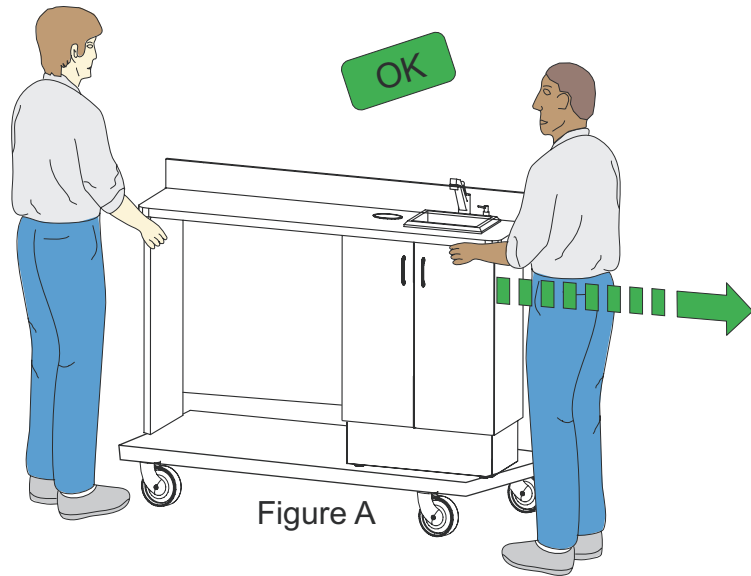


Figure A

Move by using some type of roller dolly, slings or a comparable moving aid. See Figure A and B.

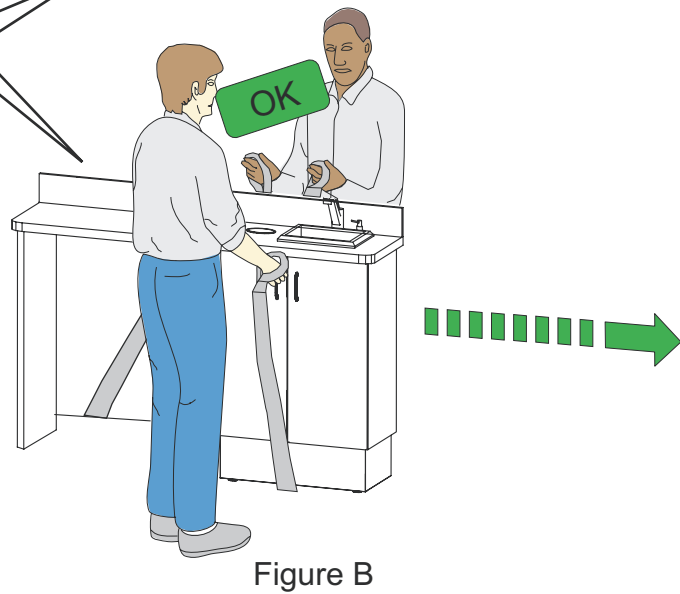


Figure B

## ECO-Sys Cabinetry Systems

### Laminate Surfaces Cleaning Instructions

The disinfectant solution should be applied in accordance with the instructions provided by the manufacturer.

The following solutions are recommended for laminate surfaces, they may also be used on metal and glass surfaces:

<u>Product</u>	<u>Manufacturer</u>
Birex®	Biotrol International
Kodak Clinasept	Kodak
Foaming Disinfectant	Catalogue #829-5230

Belmont is not responsible for any changes made by the manufacturer in the chemical composition of the cleaning solutions listed above, which may affect the surface finish after application.

# Hinge Adjustments

Model: ECO-1

## Adjustment Instructions for Concealed Hinges

### 3-Dimension Adjustment for Snap-On Hinge

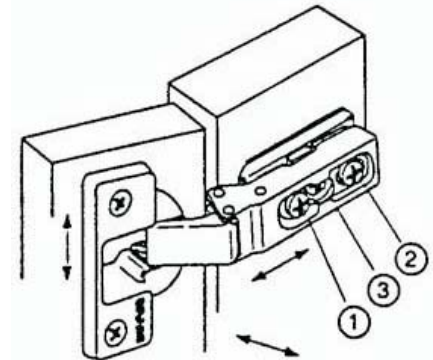
Note: Remove Cover Cap

Allows for three-way adjustments in the hinge arm.  
The side adjustment is a micro adjustment. The depth and height adjustment is held by a grid system.

Use #2 POZIdrive screwdriver to adjust screws.

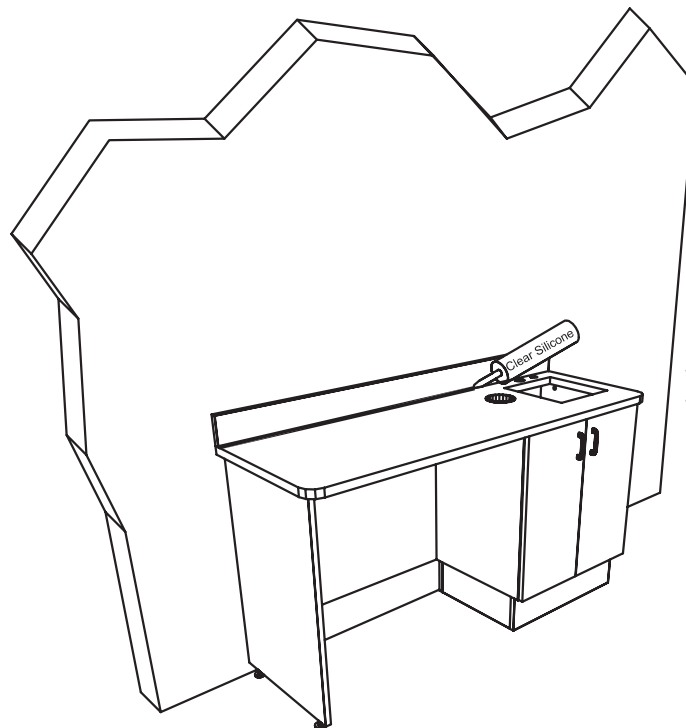
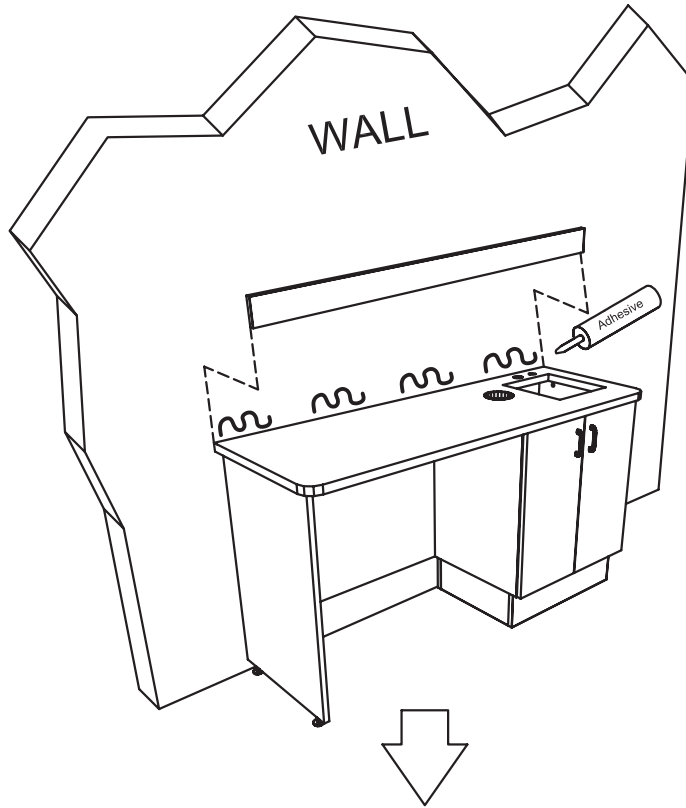
- 1 – Side adjustment
- 2 – Depth adjustment
- 3 – Height adjustment

### Release Latch



# Back Splash Mounting Model: ECO-1

**Note: Test fit pieces  
prior to glueing  
into place**

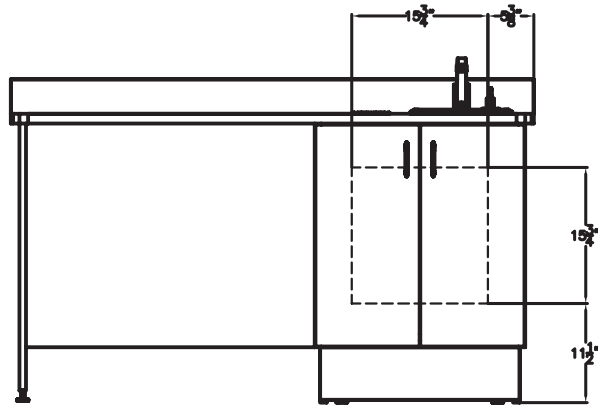


Seal with Clear  
Silicone Rubber

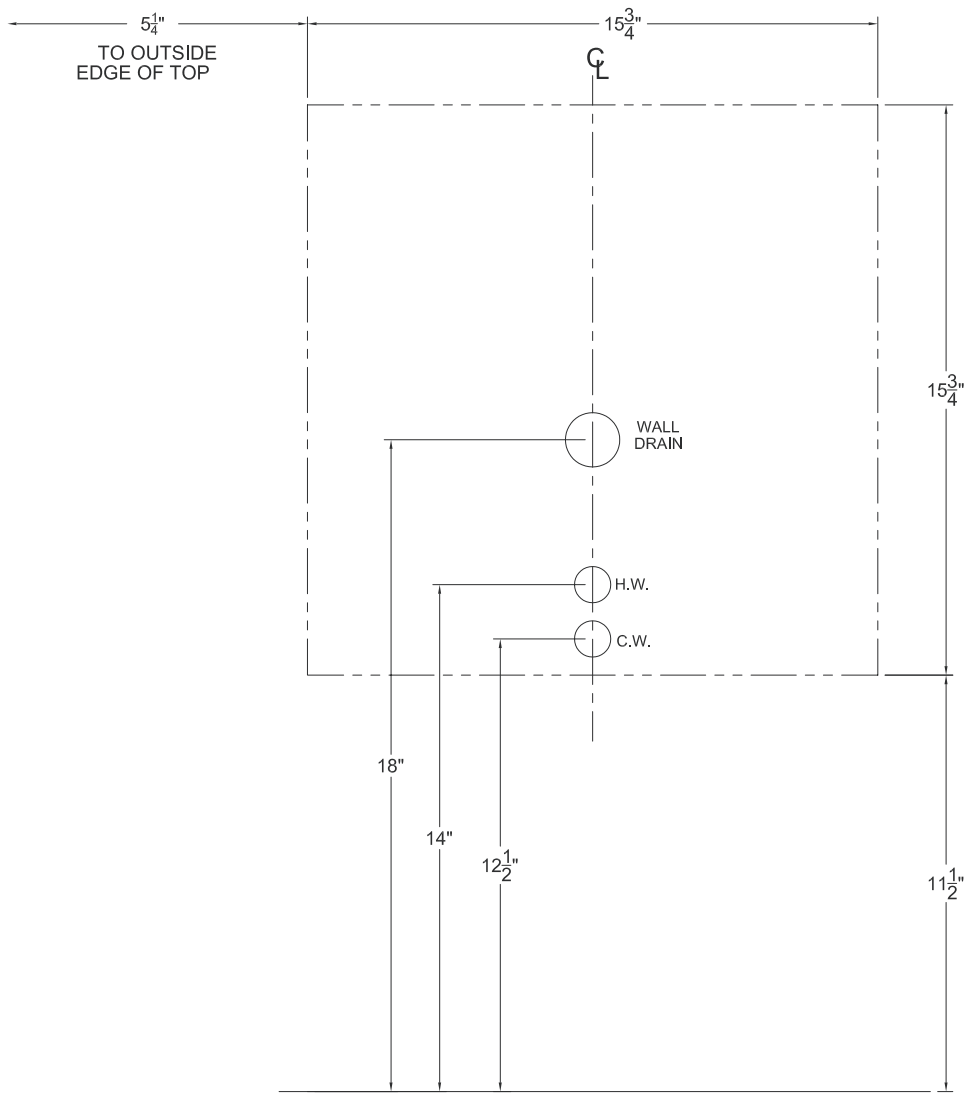
# Wall Template

Model: ECO-1

## ECO-1 WALL TEMPLATE REAR PLUMBING



**FRONT VIEW**  
NOT TO SCALE



FINISHED FLOOR

**WALL TEMPLATE**  
NOT TO SCALE

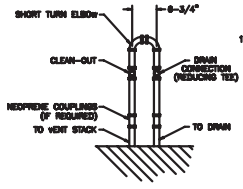
# ECO-1 FLOOR TEMPLATE

60 1/2"

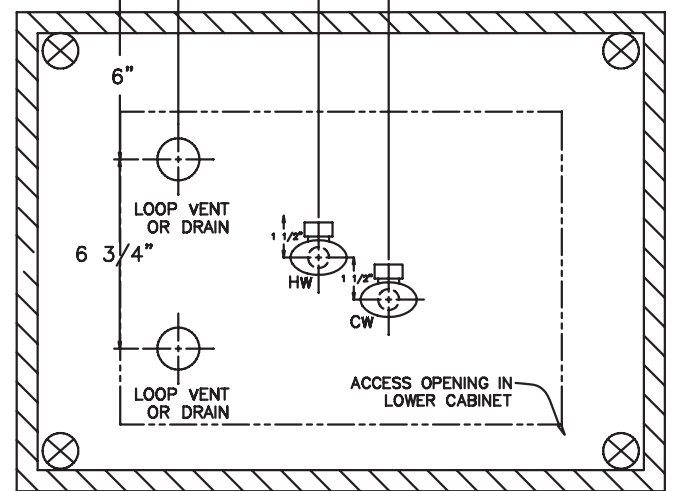
19"

11 1/2"

20 7/8"



MINIMUM 1-1/4" REINFORCING USE 1/2" REINFORCING



COUNTER TOP

Floor Template  
Model: ECO-1