

# ***Installation Instructions & Owners Manual***

**ECO-Sys Dental Cabinetry  
Model: ECO-9**

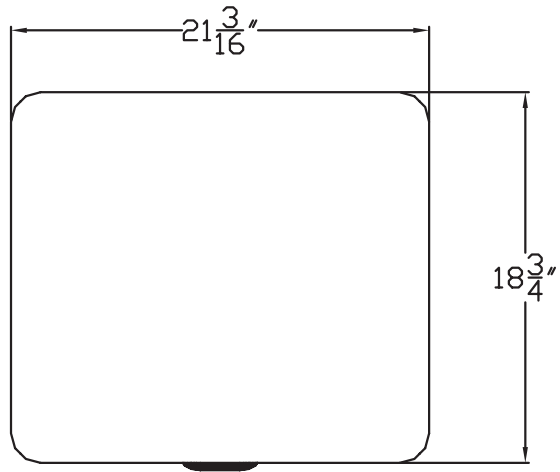


**Consumer: Please retain these instructions for future use.**

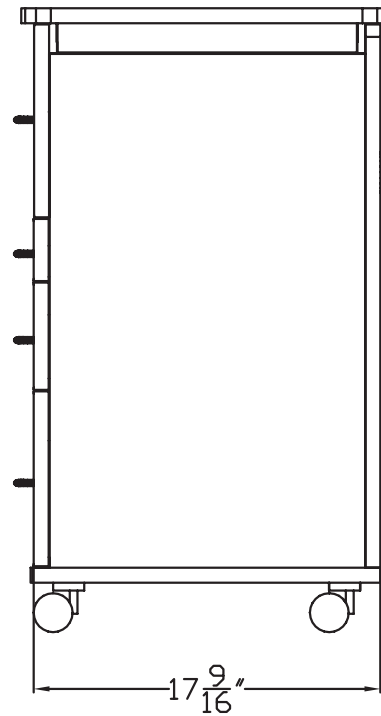
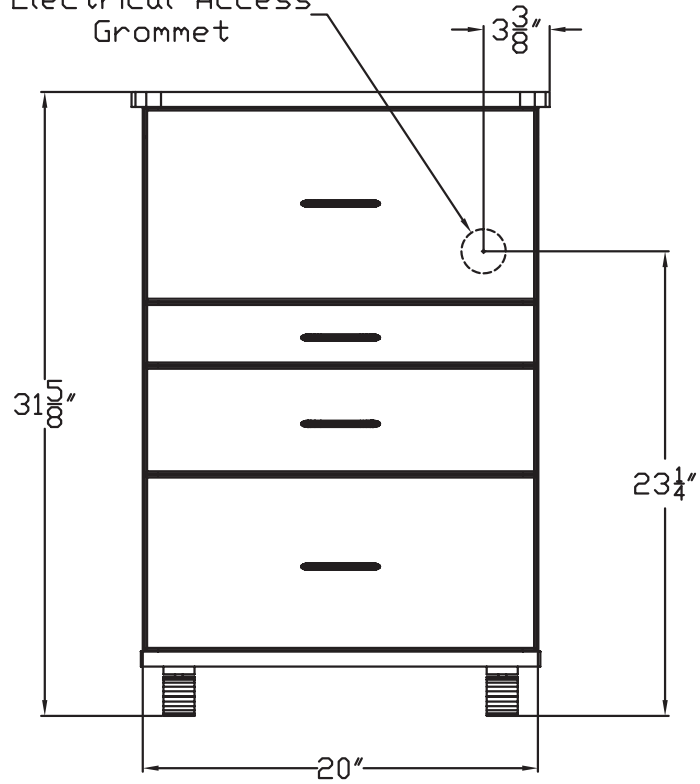
 **Belmont**

1631 Dr. Martin Luther King Drive  
St. Louis, MO 63106  
(314) 231-7383 (888) 833-3682  
Fax (314) 621-2296  
[www.belmontequip.com](http://www.belmontequip.com)

Description: ECO-9 MOBILE CART



Electrical Access  
Grommet



ECO-Sys Dental Cabinetry  
Model: ECO-9

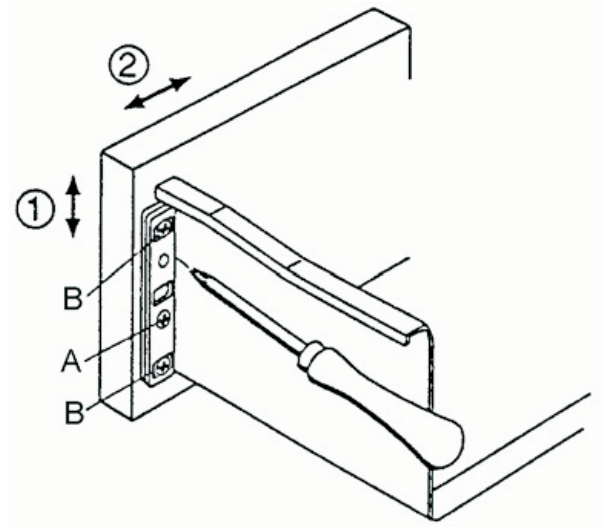
## Drawer Adjustment

Model: ECO-9

# Adjustment Instructions for Drawers

### Adjustment for Drawer

- 1 – Height adjustment: Loosen screws **B** slightly. Adjust screw **A** (adjustment +/- 2mm). Tighten screws **B**.
- 2 - Side adjustment: Loosen screws **B** slightly. Adjust front to required position (adjustment range +/- 1.5mm). Tighten screws **B**.



## ECO-Sys Cabinetry Systems

### Laminate Surfaces Cleaning Instructions

The disinfectant solution should be applied in accordance with the instructions provided by the manufacturer.

The following solutions are recommended for laminate surfaces, they may also be used on metal and glass surfaces:

<u>Product</u>	<u>Manufacturer</u>
Birex®	Biotrol International
Kodak Clinasept	Kodak
Foaming Disinfectant	Catalogue #829-5230

Belmont is not responsible for any changes made by the manufacturer in the chemical composition of the cleaning solutions listed above, which may affect the surface finish after application.