

# *Quolis<sup>®</sup> Series*

## **QUOLIS DENTAL LIGHT**

**Model : AL-820  
120V/60Hz**

### **Parts List**

**Ver. 01**

**Apr 21, 2009**

#### **IMPORTANT**

- Not all of the parts indicated in these lists are available by itself. Some of the parts can only be supplied as an assembled unit with other parts.
- Parts design, description and parts numbers are subject to change without notice.
- Not all of the parts are available in stock of Takara Belmont USA Inc. Some of the parts need to be arranged at receipt of your firm purchase order.

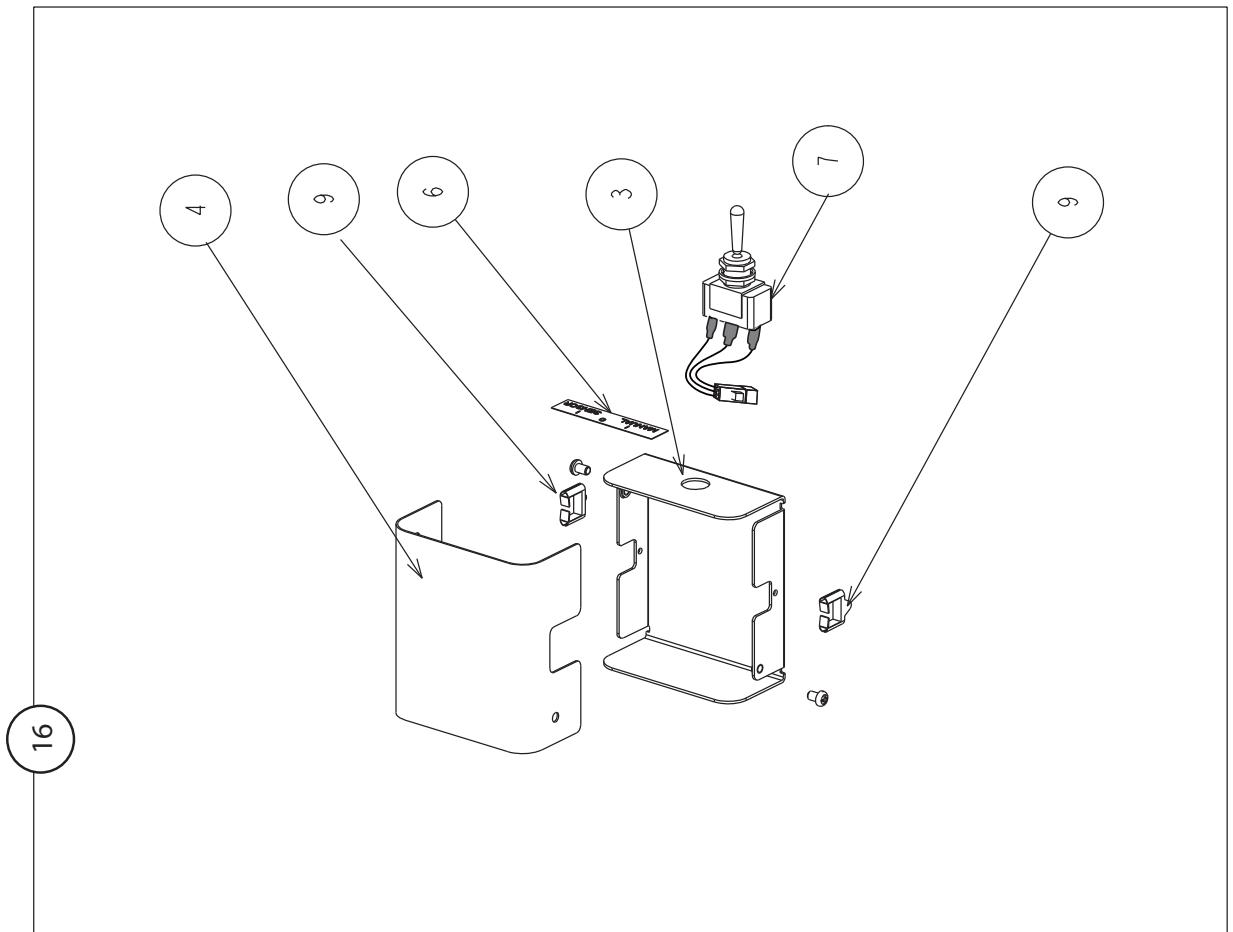
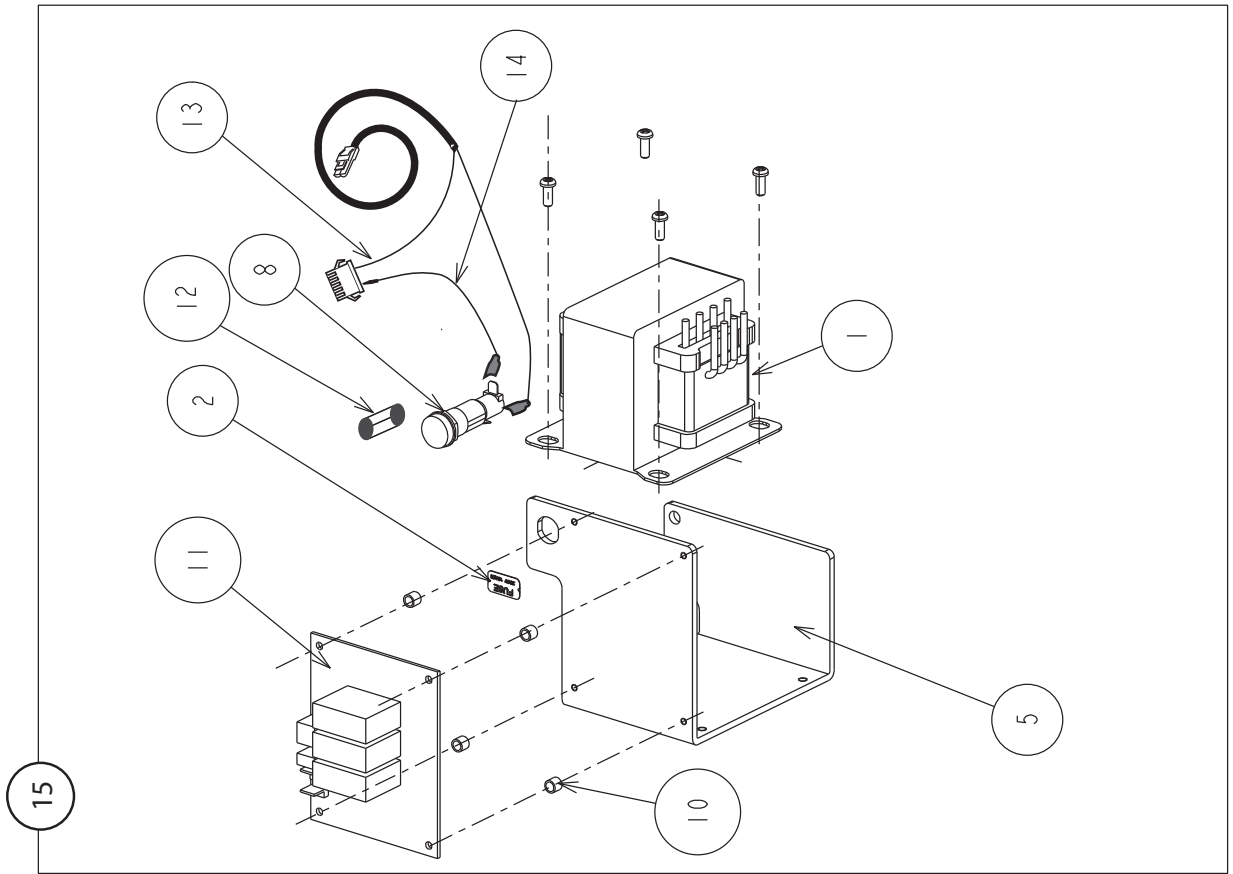
 **Belmont<sup>®</sup>**

## **TABLE OF CONTENTS**

1. AL-820 Light Switch Box & Transformer section
2. AL-820 Arm Section
3. AL-820 Head Section



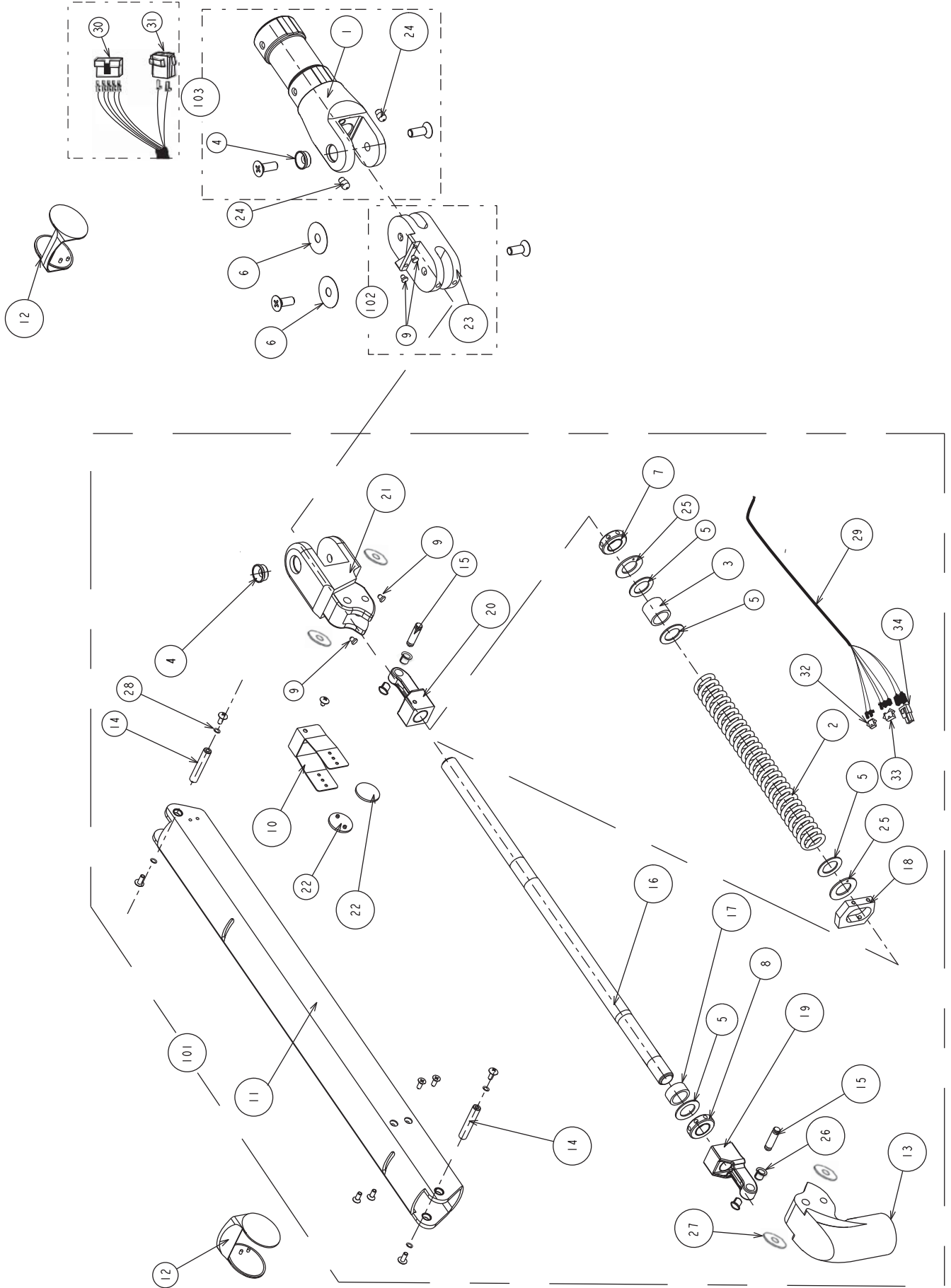
# 1. AL-820 Light Switch Box & Transformer section



1. AL-820 Light Switch Box & Transformer section

No.	Item No.	Description	Qty
---	AL-820		
1	AGYB00A0	Transformer DLT-1N2	1
2	CAEN82A0	Fuse label (1.5A)	1
3	CAGP86A1	Switch box frame	1
4	CAGP87A1	Switch box cover	1
5	CAGP88A0	Transformer bracket (820)	1
6	CAJC01A0	Manual/Sensor switch label	1
7	1G00X3A0	Toggle switch S303 Pars Ass'y	1
8	AEFR92A0	Fuse holder MF-530	1
9	CEGN75A0	Edge protector EDS-1208U	2
10	CETN68A0	Spacer 3 x 6 x 7	4
11	CGGN65A0	Control PCB (Quolis)	1
12	CEEN22A0	Fuse 250V 1.5A	1
13	CAGP74A0	Wire harness for AC power	1
14	CAGP75A0	Lead wire (L) Brown, Fuse-Transformer	1
15	AXYB01A0	Transformer & PCB Ass'y	1
16	1P004QA0	Switch box complet Ass'y	1

2. AL-820 Arm Section (Item Number 1G00Y0A)



2. AL-820 Arm Section (Item Number 1G00Y0A)

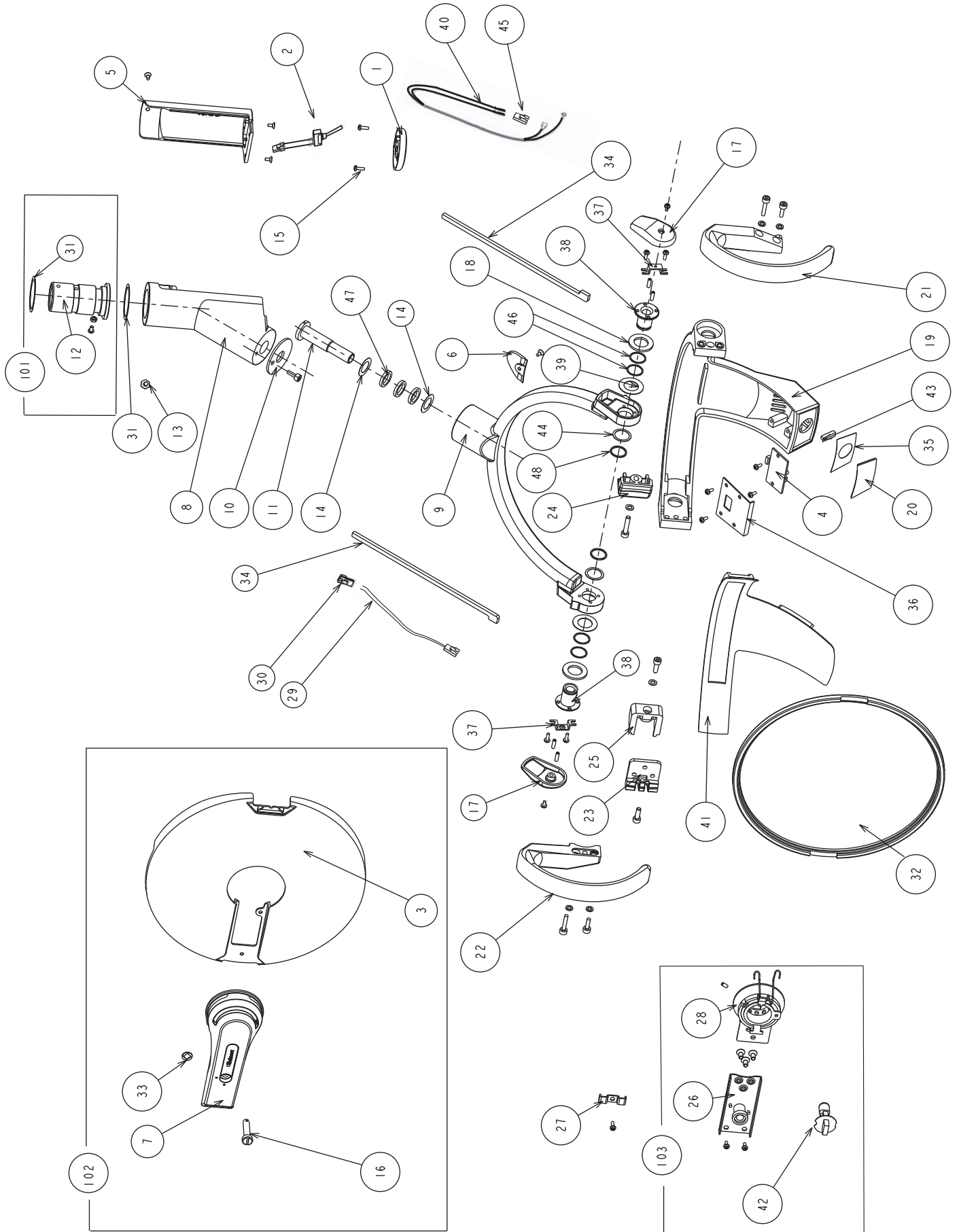
No.	Item No.	Description	Qty
---	1G00Y0A0	Balance arm ass'y (AL-820) with arm joint	1
101	1G00Y1A0	Balance arm ass'y (AL-820) without arm joint	1
2	CAHC93A0	(Not Available by itself)	1
3	CARA08A0	(Not Available by itself)	1
4	CAJA05A0	(Not Available by itself)	1
5	CAMF11A0	(Not Available by itself)	4
7	CAMJ31A0	(Not Available by itself)	1
8	CAMJ32A0	(Not Available by itself)	1
9	CAMP65A0	(Not Available by itself)	2
10	CAQO30A0	(Not Available by itself)	1
11	CARA00A1	(Not Available by itself)	1
13	CARA02A1	(Not Available by itself)	1
14	CARA03B0	(Not Available by itself)	2
15	CARA04B0	(Not Available by itself)	2
16	CARA07B0	(Not Available by itself)	1
17	CARA09B0	(Not Available by itself)	1
18	CARA10C0	(Not Available by itself)	1
19	CARA13A1	(Not Available by itself)	1
20	CARA14A1	(Not Available by itself)	1
21	CARA16A1	(Not Available by itself)	1
22	CARN03B0	(Not Available by itself)	2
25	CERA01A0	(Not Available by itself)	2
26	CERA02C0	(Not Available by itself)	4
27	CAHC27A0	(Not Available by itself)	4
28	CANF62A0	(Not Available by itself)	4
29	CAGP78A0	(Not Available by itself)	1
32	CEMA53A0	(Not Available by itself)	1
33	CEGN07A0	(Not Available by itself)	1
34	CECN33A0	(Not Available by itself)	1
102	CGGN68A0	Second Arm Joint Ass'y (AL-820)	1
9	CAMP65A0	Stopper Nylon	2
23	CATN39A1	Second Arm Joint (AL-820)	1
103	1G00X2A0	First Arm Joint Ass'y (AL-820)	1
1	CAGP71A1	First Arm Joint (AL-820)	1
4	CAJA05A0	Bushing for Arm Joint	1
24	CATP10A0	Stopper RL L:7.5 Nylon	2
6	CAMF12A0	Washer, Gunmetal, 32 x 8.5 x 0.3	2
12	CARA01A0	Balance arm joint cover	2
30	CEOA18A0	Receptacle housing 5P	1
31	CATB01A0	Receptacle housing 2P	1

3. AL-820 Head Section (Item Nu. 1G00X4A0)

36	CAHC84A0	Heat protective plate	1
37	CAHC87A0	Yoke cap bracket	2
38	CAHC88A0	Yoke cap bracket rotatio axis	2
39	CAHC89A0	Washer 24 x 14.2 x 0.5	2
40	CAGP81A0	Lead wire for light bulb	1
41	CAIC03A0	Reflector packing	1
43	CAIC10A0	Separator	1
44	CANF66A0	Polyamide washer 18 x 14.2 x 0.25	2
45	CATB01A0	Receptacle housing 2P	1
46	CEIA10A0	Wave washer WW-14	4
47	CENW08A0	FE Wave washwer WW-12	3
48	CENX93A0	Inverted E-Ring ISTW-14	2



3. AL-820 Head Section (Item Nu. 1G00X4A0)



### 3. AL-820 Head Section (Item Nu. 1G00X4A0)

No.	Item No.	Description	Qty
	1G00X4A0	Light head ass'y of AL-820	1
101	CGGN66A0	Yoke rotation axis with polyamide washers	1
12	CAGP68A0	Yoke rotation axis with	1
31	CAHC53A0	Polyamide washwer 35 x 29 x 0.25	1
102	CGGN75A0	Front shield ass'y	1
3	CADR76A0	Front shield	1
7	1G00X5A0	Front shield mislaneous parts	1
16	CAGP84A0	Front shield fixing fastener	1
33	CAHC76A0	Washer for fixing fastener.	1
103	CGQO12A0	Light bulb holder ass'y	1
26	CAHC47B0	Light bulb holder	1
28	1G00X6A0	Light valves holder miscellaneous parts	1
42	CAIC07A0	Halogen Lamp JA 24V 60W	1
1	CAGP60A1	Intensity switch mounting plate	1
2	1G00X8A0	Intensity switch ass'y'	1
4	CGGN64A0	Sensor PCB	1
5	CAGP59A1	Yoke lower cover	1
6	CAGP61A1	Yoke front cover	1
8	1G00X9A0	Yoke (First)	1
9	CAGP65A1	Yoke (Second)	1
10	CAGP66A0	Third rotation axis washer	1
11	CAGP67A0	Third rotation axis	1
13	CAGP69A0	Yoke rotation stopper screw	1
14	CAGP70A0	Polyamide washer	2
15	CECN46A0	M3 x 8mm Panhead screws	2
17	CAGP92A0	Yoke cap	2
18	CAHC35A0	Washwer 24 x 14.2 x 2	2
18	CAHC36C1	Bracket T	1
18	CAHC38A0	Touchless switch cover	1
18	CAGP90A0	Handle (R) CN-80	1
18	CAGP91A0	Hanlde (L) CN-80	1
18	CAHC41B1	Reflector holder bracket CN-80	1
18	CAGP93A0	Reflector holder (R)	1
18	CAGP94A0	Reflector holder (L)	1
27	CAHC48C0	Yoke rear cover	1
29	CAGP80A0	Wire harness for sensor (Quolis light)	1
30	CETN58A0	SM Connector 3P female SMR-03V-B	1
31	CAHC53A0	Polyamide washwer 35 x 29 x 0.25	1
32	CAHC60A0	Reflector	1
34	CAHC77A0	Reflector support pad CR x 2	2
35	CAHC78B0	Double sided tape for touchles switch	1

# NOTE

Empty rounded rectangular box for notes.

**BELMONT EQUIPMENT, Division of Takara Belmont USA, Inc.**

101 Belmont Drive Somerset, New Jersey 08873 U.S.A. TEL.:(732) 469-5000 / (800) 223-1192 Fax.:(732)526-6322 / (800) 280-7504

**TAKARA CO, CANADA LTD.**

2076 S. Sheridan Way, Mississauga, Ont., L5J2M4, Can. TEL.:(905) 822-2755 Fax.:(905)822-6203

