

EVOGUE
PARTS LIST

TABLE OF CONTENTS

| | PAGE |
|--|------|
| 1. DOCTOR TABLE SECTION, TRADITIONAL CHAIR MOUNTED DELIVERY STYLE (AU-HV3070DX)(AU-HV3000D/3010D) | |
| 1-1 . DOCTOR TABLE ----- | 6 |
| 1-2 . HOLDER ----- | 8 |
| 1-3 . AUTO SELECT VALVE ----- | 10 |
| 1-4 . AIR MANIFOLD 8P ----- | 12 |
| 1-5 . AIR MANIFOLD ----- | 12 |
| 2. DOCTOR TABLE SECTION, CONTINENTAL CHAIR MOUNTED DELIVERY STYLE (AU-HV3080DX)(AU-HV3020D) | |
| 2-1 . COVER PARTS ----- | 14 |
| 2-2 . ROD ARM PARTS ----- | 16 |
| 2-3 . TABLE ASSY. ----- | 16 |
| 2-4 . TABLE INTERNAL PARTS ----- | 18 |
| 2-5 . ROD STRUCTURE PARTS ----- | 20 |
| 2-6 . CONTROL PARTS ----- | 22 |
| 2-7 . ROD COMPONENT ----- | 24 |
| 2-8 . ROD ADDITIONAL HP ----- | 26 |
| 2-9 . SUB TRAY PARTS ----- | 28 |
| 2-10 . TABLE INTERNAL PARTS ----- | 30 |
| 3. BALANCE ARM | |
| 3-1 . BALANCE ARM FOR TRADITIONAL CHAIR MOUNTED DELIVERY STYLE ----- | 32 |
| 3-2 . BALANCE ARM FOR CONTINENTAL CHAIR MOUNTED DELIVERY STYLE----- | 34 |
| 4. SWING ARMS FOR Q5000/Q5500/Q3300 | |
| 4-1 . DR. SWING ARM & LIGHT SWING ARM ASSY. (AU-HV3370SQ) ----- | 36 |
| 4-2 . DR. SWING ARM (AU-HV3375SQ) ----- | 38 |
| 4-3 . LIGHT SWING ARM (AU-HV3330SQ) ----- | 40 |
| 4-4 . MONITOR SWING ARM (AU-HV3390MS) ----- | 42 |

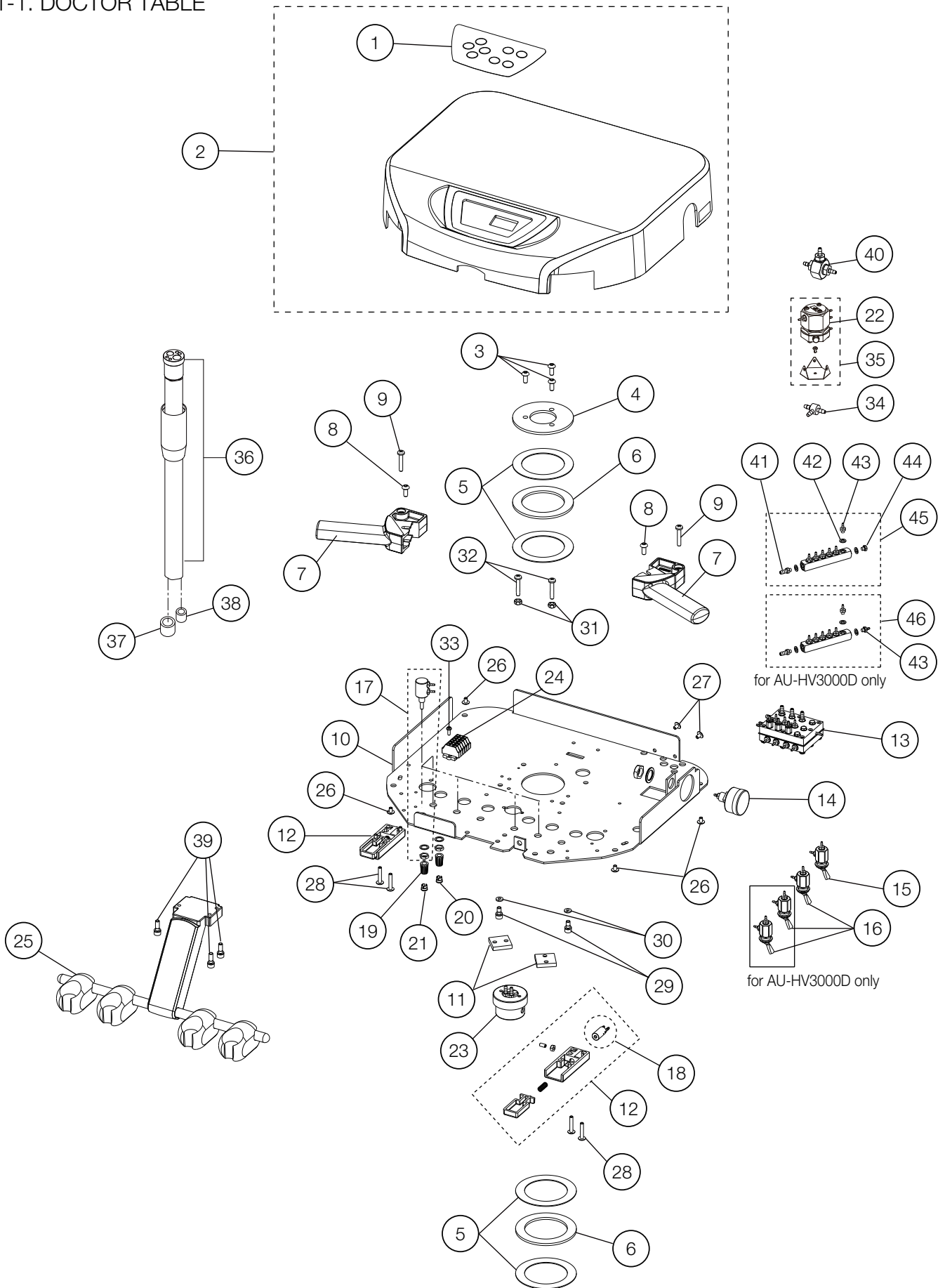
TABLE OF CONTENTS

| | PAGE |
|---|------|
| 5. SWING ARMS FOR BEL-50 | |
| 5-1 . DR. SWING ARM & LIGHT SWING ARM ASSY. (AU-HV3270SX) ----- | 44 |
| 5-2 . DR. SWING ARM (AU-HV3275SX) ----- | 46 |
| 5-3 . LIGHT SWING ARM (AU-HV3230SX) ----- | 48 |
| 5-4 . MONITOR SWING ARM (AU-HV3290MSX) ----- | 50 |
| 5-5 . MONITOR SWING ARM W/O BRACKET (AU-HV3289MSX) ----- | 50 |
| 6. ASSISTANT INSTRUMENT VAC PAC, SWING TYPE | |
| 6-1 . VAC PACS (AU-HV3410/3400/3401W) ----- | 52 |
| 7. PMU | |
| 7-1 . PMU ASSY. 1 ----- | 54 |
| 7-2 . PMU ASSY. 2 ----- | 56 |
| 7-3 . PMU BOWL ASSY. ----- | 58 |
| 7-4 . FRONT COVER ----- | 60 |
| 7-5 . PMU ASSISTANT ----- | 62 |
| 8. CURVED LIGHT POST ASSY. AND MONITOR BRACKET FOR PMU | |
| 8-1 . LIGHT POST ASSY. (AU-HV3908) ----- | 64 |
| 8-2 . MONITOR BRACKET ----- | 66 |
| 9. PMU CHAIR MOUNTING BRACKET | |
| 9-1 . PMU CHAIR BRACKET FOR Q5000/Q5500/Q3300 (AU-HV3902) ----- | 68 |
| 9-2 . PMU CHAIR BRACKET FOR PRO II (AU-HV3901) ----- | 70 |
| 9-3 . PMU CHAIR BRACKET FOR BEL-50/PRO III (AU-HV3901N) ----- | 70 |
| 10. JUNCTION BOX FOR Q5000/Q5500/Q3300 (AU-HV3950/3950Q)----- | 72 |
| 11. AIR ACTIVATED POWER SUPPLY BOX FOR MOTOR/SCALER/F.O. | |
| 11-1 . POWER SUPPLY BOX FOR DR. TABLE ACCESSORIES (AU-HV3808)----- | 74 |
| 11-2 . OLD STYLE POWER SUPPLY BOX FOR DR. TABLE ACCESSORIES (AU-HV3807) ----- | 76 |
| 12. CABINET MOUNTED SIDE DELIVERY (AU-HV3055D) | |
| 12-1 . SIDE DELIVERY ----- | 78 |
| 12-2 . DOCTOR TABLE ----- | 80 |
| 12-3 . BALANCE ARM ----- | 82 |

TABLE OF CONTENTS

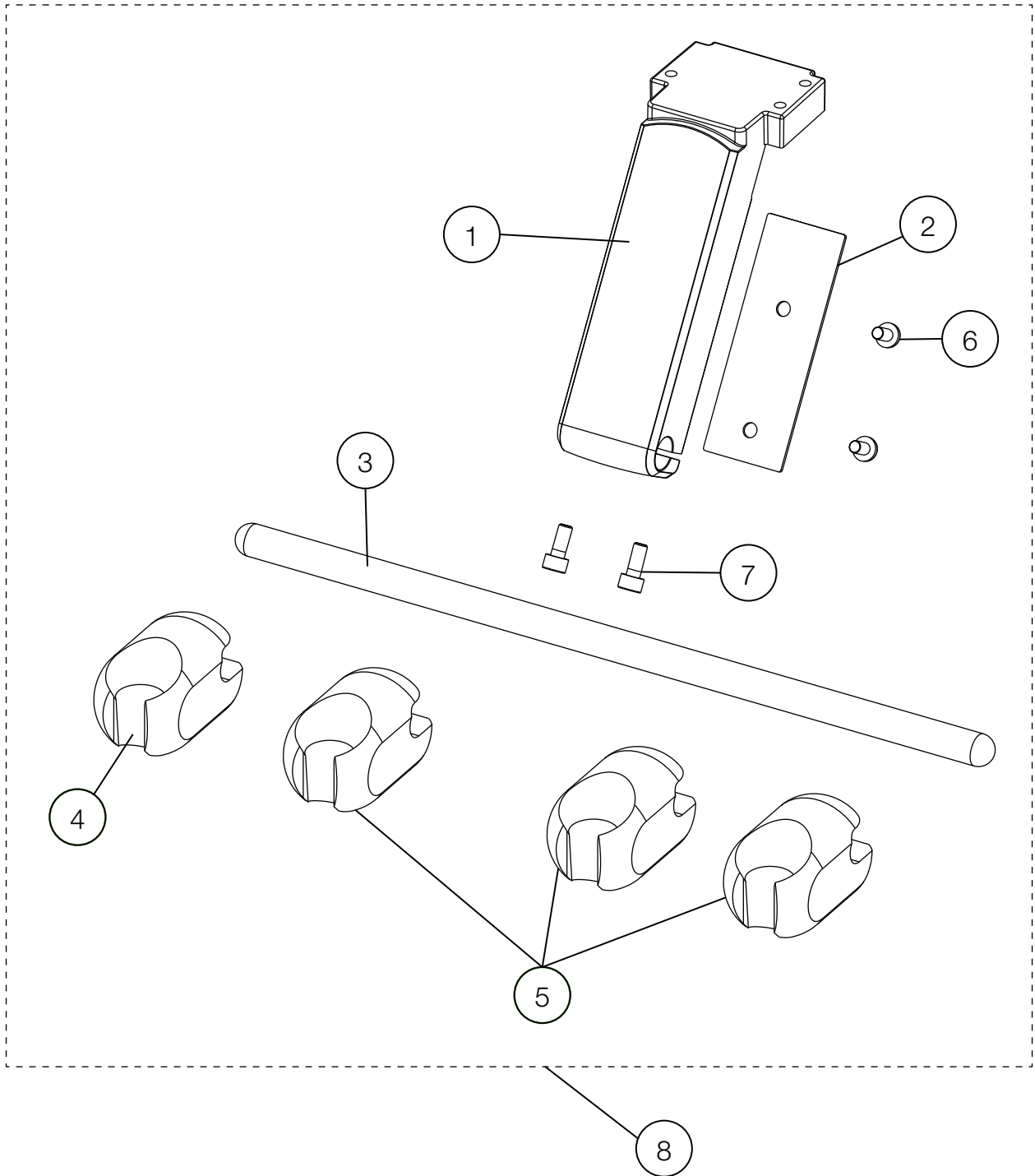
| | PAGE |
|---|------|
| 12-4 MOUNTING BRACKET ----- | 84 |
| 12-5 WATER BOTTLE BRACKET ----- | 86 |
| 13. CABINET MOUNTED REAR DELIVERY(AU-HV3561/3563) | |
| 13-1 . REAR DELIVERY ----- | 88 |
| 13-2 . DOCTOR TABLE ----- | 90 |
| 13-3 . DOCTOR ARM ----- | 92 |
| 13-4 ASSISTANT ARM ----- | 92 |
| 13-5 VACUUM ----- | 94 |
| 13-6 . MANIFOLD 4P ----- | 96 |
| 13-7 . T-JOINT ----- | 96 |
| 14. HANDPIECE ----- | 98 |
| 15. CART(AU-HV3600) | |
| 15-1 . CART BASE ----- | 100 |
| 15-2 . DOCTOR TABLE ----- | 102 |
| WIRING DIAGRAM *Q5500: Quolis Chair (Model Q5500), Q3300: Evogue Chair (Model Q3300), Q5000: Quolis 5000 Chair (Model Q5000) | |
| 1 . AU-HV3808 SWING MOUNTED DELIVERY SYSTEM WITH BEL-50 CHAIR / Q5000 / Q5500 / Q3300 ----- | 104 |
| 2 . AU-HV3808 SWING MOUNTED DELIVERY SYSTEM WITH CONTINENTAL TYPE BEL-50 CHAIR / Q5000 / Q5500 / Q3300 ----- | 105 |
| 3 . AU-HV3808 PMU MOUNTED DELIVERY SYSTEM WITH Q5000 / Q5500 / Q3300 ----- | 106 |
| 4 . AU-HV3808 PMU MOUNTED DELIVERY SYSTEM WITH CONTINENTAL TYPE Q5000 / Q5500 / Q3300 ----- | 107 |
| 5 . AU-HV3808 PMU MOUNTED DELIVERY SYSTEM WITH BEL-50 CHAIR ----- | 108 |
| 6 . AU-HV3808 PMU MOUNTED DELIVERY SYSTEM WITH CONTINENTAL TYPE BEL-50 CHAIR ----- | 109 |
| 7 . AU-HV3808 SIDE DELIVERY SYSTEM WITH BEL-50 CHAIR / Q5000 / Q5500 / Q3300 --- | 110 |
| 8 . AU-HV3808 REAR DELIVERY SYSTEM WITH BEL-50 CHAIR / Q5000 / Q5500 / Q3300 -- | 111 |
| 9 . AU-HV3808 CART DELIVERY SYSTEM WITH BEL-50 CHAIR / Q5000 / Q5500 / Q3300 -- | 112 |
| 10 . AU-HV3801~3807 PMU MOUNTED DELIVERY SYSTEM WITH Q5000 ----- | 113 |
| 11 . AU-HV3801~3807 PMU MOUNTED DELIVERY SYSTEM WITH BEL-50 CHAIR ----- | 114 |
| 12 . AU-HV3801~3807 MICROMOTOR ----- | 115 |

1-1. DOCTOR TABLE



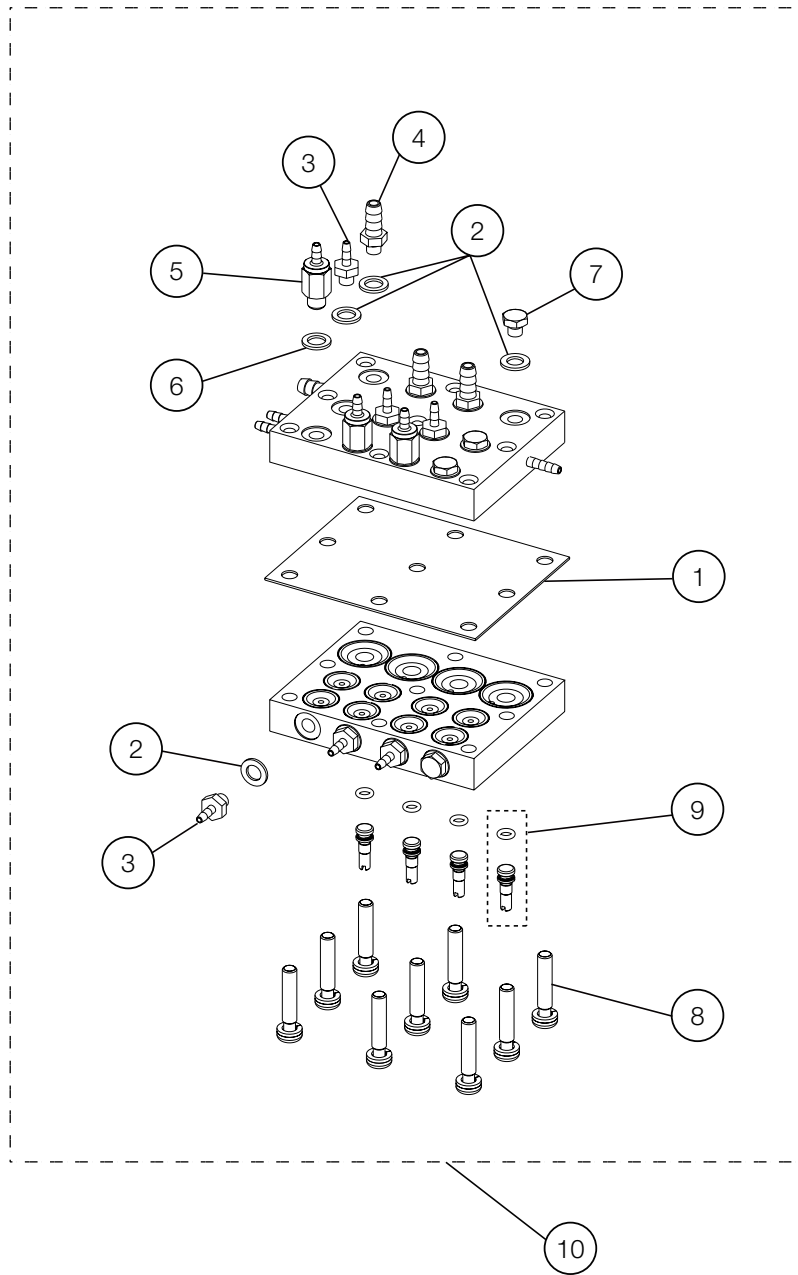
| NO. | PARTS NO. | DESCRIPTION | QTY | APPLICABLE SERIAL NO. | NOTE |
|-----|-----------|--|-----|-----------------------|----------------|
| 1 | 1A0GNHA0 | MEMBRANE SWITCH | 1 | | |
| 2 | 1P0458A0 | TABLE TOP W/MEMBRANE SWITCH | 1 | | |
| 3 | ZSA11NSU | HEX BUTTON HEAD SCREW M5X12 SUS | 3 | | |
| 4 | AAFT80A0 | TABLE FIXING WASHER | 1 | | |
| 5 | AFFR96A0 | THRUST WASHER (AS-1111) | 4 | | |
| 6 | AFFR95A0 | THRUST BEARING (AXK1111) | 2 | | |
| 7 | 1A0GNBAV | TABLE HANDLE | 2 | | |
| 8 | ZA114NNU | TRUSS M5X6 SUS | 2 | | |
| 9 | ZA887NXY | PAN HEAD SEMS SCREW 2P M5X22 CHROME | 2 | | |
| 10 | 1A0GN4AV | V TABLE CHASSIS | 1 | | |
| 11 | AAFT74A0 | TABLE ROTATION BRAKE | 2 | | |
| 12 | 1P045AA0 | AIR BRAKE ASSEMBLY | 2 | | |
| 13 | 1P053SA0 | AUTO SELECT VALVE ASSEMBLY FOR 3 HP TUBINGS (EXCEPT FOR SYRINGE) | 1 | | |
| | 1P04DYA0 | AUTO SELECT VALVE ASSEMBLY FOR 4 HP TUBINGS (EXCEPT FOR SYRINGE) | | | |
| 14 | 1P04AXA0 | PRESSURE GAUGE ASSEMBLY | 1 | | |
| 15 | 1P06GNA0 | TOGGLE VALVE ASSEMBLY (MAIN SWITCH) | 1 | | |
| 16 | 1P06GMA0 | TOGGLE VALVE ASSEMBLY (FLUSHOUT, BOWL FLUSH, CUPFILLER) | 1,3 | | |
| 17 | 1P04AYA0 | NEEDLE VALVE ASSEMBLY (WATER) | 5 | | |
| 18 | 1P04AUA0 | PILOT VALVE ASSEMBLY (AIR BRAKE) | 1 | | |
| 19 | FJLA14A0 | NEEDLE VALVE KNOB | 6 | | |
| 20 | FJLA15A0 | CAP FOR KNOB (BLUE) | 4 | | |
| 21 | FJLA16A0 | CAP FOR KNOB (YELLOW) | 2 | | |
| 22 | 1P07FZA0 | PULL BACK VALVE | 1 | | |
| 23 | 1E04R2A0 | OIL-MIST SEPARATOR | 1 | | |
| 24 | 1P057FA0 | CAGE CLAMP ASSEMBLY | 1 | | |
| 25 | 1P04B0A0 | HP HOLDER ASSEMBLY | 1 | | |
| 26 | ZA114NNU | TRUSS M5X6 SUS | 4 | | |
| 27 | ZA114LNU | TRUSS M4X6 SUS | 2 | | |
| 28 | ZA111LWU | PAN HEAD SCREW M4X20 SUS | 4 | | |
| 29 | ZA761NLG | HEX SOCKET HEAD SCREW M5x5 BLACK | 2 | | |
| 30 | ZB511NAU | SPRING WASHER M5 | 2 | | |
| 31 | ZA812NAY | NUT M5 CHROME | 2 | | |
| 32 | ZA887NXY | PAN HEAD SEMS SCREW 2P M5X22 CHROME | 2 | | |
| 33 | ZA111JNU | PAN HEAD SCREW M3X6 SUS | 1 | | |
| 34 | AFFW91A0 | 1/16 IN BARB TEE PLATED | 3 | | USA P-N: P1875 |
| 35 | 1P07FYA0 | PULL BACK VALVE WITH BRACKET AND RIVET | 1 | | |
| 36 | AFFS02A0 | HANDPIECE TUBING STRAIGHT 7FT W | 3 | | USA P-N: D432T |
| 37 | AFFS14B0 | 1/4 IN TUBING COLLAR | 3 | | USA P-N: P1062 |
| 38 | AFFS15B0 | 1/8 IN TUBING COLLAR | 6 | | USA P-N: P1061 |
| 39 | ZA761NSU | HEX SOCKET HEAD SCREW M5X12 SUS | 3 | | |
| 40 | 1P06GPA0 | SHUTTLE VALVE ASSEMBLY | 1 | | |
| 41 | AFFS05A0 | 1/8 INX10-32 BARB (PLATED) | 1 | | USA P-N: P1053 |
| 42 | AFFU48A0 | WASHER 10-32(SEAL) | 8 | | USA P-N: P1055 |
| 43 | AFFS04A0 | 1/16 INX10-32 BARB (PLATED) | 6 | | USA P-N: P1052 |
| 44 | AFFU49A0 | BRASS HEX PLUG 10-32 | 1 | | USA P-N: P1054 |
| 45 | 1P04AVA0 | MANIFOLD W/O BOWL | 1 | | |
| 46 | 1P04AWA0 | MANIFOLD W/BOWL | 1 | | |

1-2. HOLDER



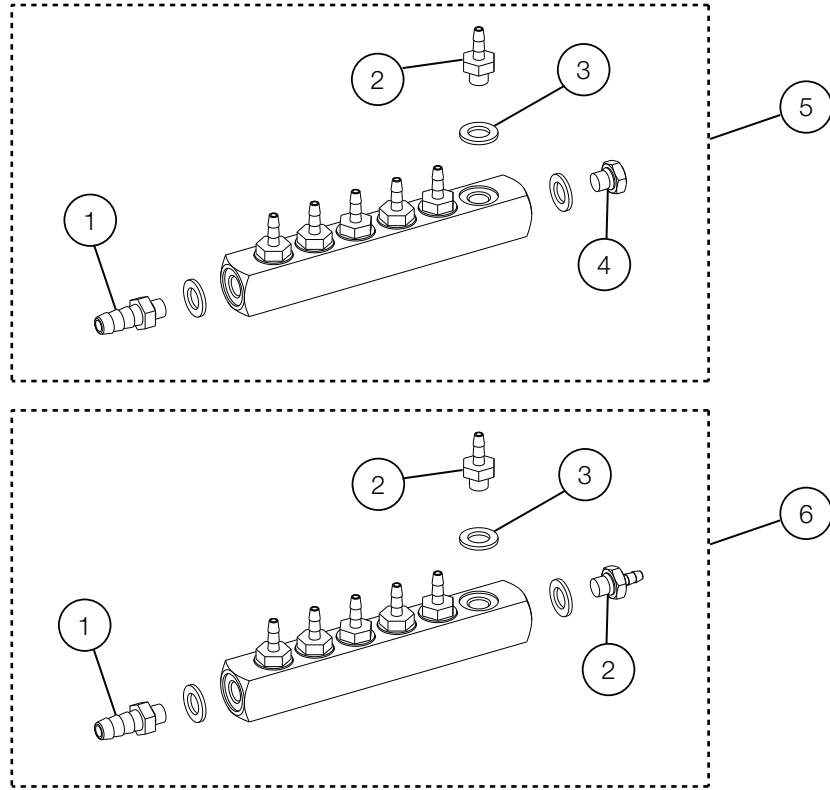
| NO. | PARTS NO. | DESCRIPTION | QTY | APPLICABLE SERIAL NO. | NOTE |
|-----|-----------|---------------------------------|-----|-----------------------|----------------|
| 1 | 1A0GNEAV | HOLDER BRACKET | 1 | - | |
| 2 | 1A0GN3AV | HOLDER BRACKET COVER | 1 | | |
| 3 | 1A0GTNA0 | HOLDER BAR | 1 | | |
| 4 | AFFX37B0 | SYRINGE HOLDER | 1 | VW17H0130 | USA P-N: D4578 |
| 5 | AFFX36B0 | HANDPIECE HOLDER | 3 | VW17H0130 | USA P-N: D4579 |
| 6 | ZA114NNU | TRUSS M5X6 SUS | 2 | | |
| 7 | ZA761NSU | HEX SOCKET HEAD SCREW M5X12 SUS | 2 | | |
| 8 | 1P04B0A0 | HP HOLDER ASSEMBLY | 1 | | |

1-3. AUTO SELECT VALVE

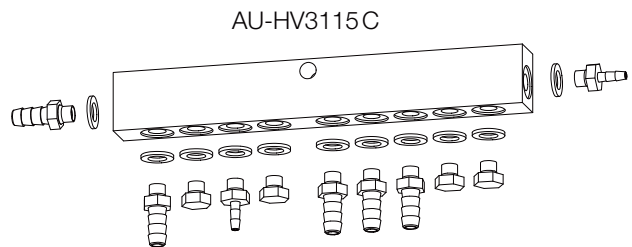
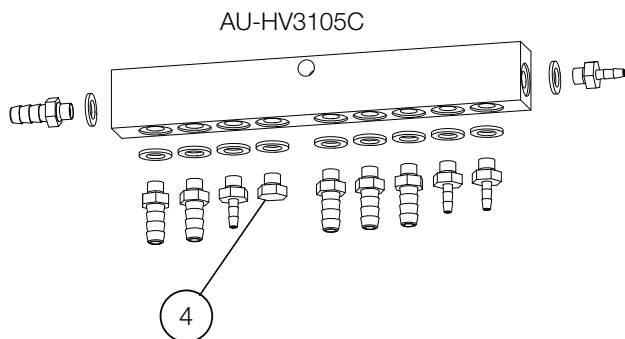
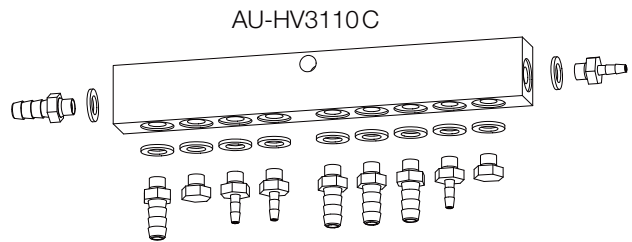
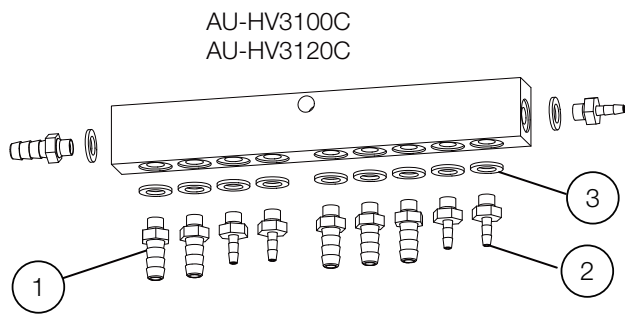


| NO. | PARTS NO. | DESCRIPTION | QTY | APPLICABLE SERIAL NO. | NOTE |
|-----|-----------|--|-----|-----------------------|--------------------------|
| 1 | FATA08E0 | AUTO-SELECT VALVE DIAPHRAGM (BG) | 1 | VW150001 | |
| 2 | AFFU48A0 | WASHER 10-32(SEAL) | 13 | | USA P-N: P1055 |
| 3 | AFFS04A0 | 1/16 INX10-32 BARB (PLATED) | 7 | | USA P-N: P1052 |
| 4 | AFFS05A0 | 1/8 INX10-32 BARB (PLATED) | 3 | | USA P-N: P1053 |
| 5 | FGMA56D0 | CHECK VALVE TYPE-1 M5 | 3 | | |
| 6 | FALC13A0 | JOINT SEAL | 3 | | |
| 7 | AFFU49A0 | BRASS HEX PLUG 10-32 | 3 | | USA P-N: P1054 |
| 8 | ZA111LWU | PAN HEAD SCREW M4X20 SUS | 9 | | |
| 9 | 1P06HZA0 | DRIVE AIR ADJUSTMENT SCREW | 4 | | |
| 10 | 1P053SA0 | AUTO SELECT VALVE ASSEMBLY FOR 3 HP TUBINGS (EXCEPT FOR SYRINGE) | 1 | | FOR TRADITIONAL DELIVERY |
| | 1P04DYA0 | AUTO SELECT VALVE ASSEMBLY FOR 4 HP TUBINGS (EXCEPT FOR SYRINGE) | | | |
| | 1P07H7A0 | AUTO SELECT VALVE ASSEMBLY FOR 3 HP TUBINGS (EXCEPT FOR SYRINGE) | | | FOR CONTINENTAL DELIVERY |
| | 1P07H8A0 | AUTO SELECT VALVE ASSEMBLY FOR 4 HP TUBINGS (EXCEPT FOR SYRINGE) | | | |

1-4. AIR MANIFOLD 8P

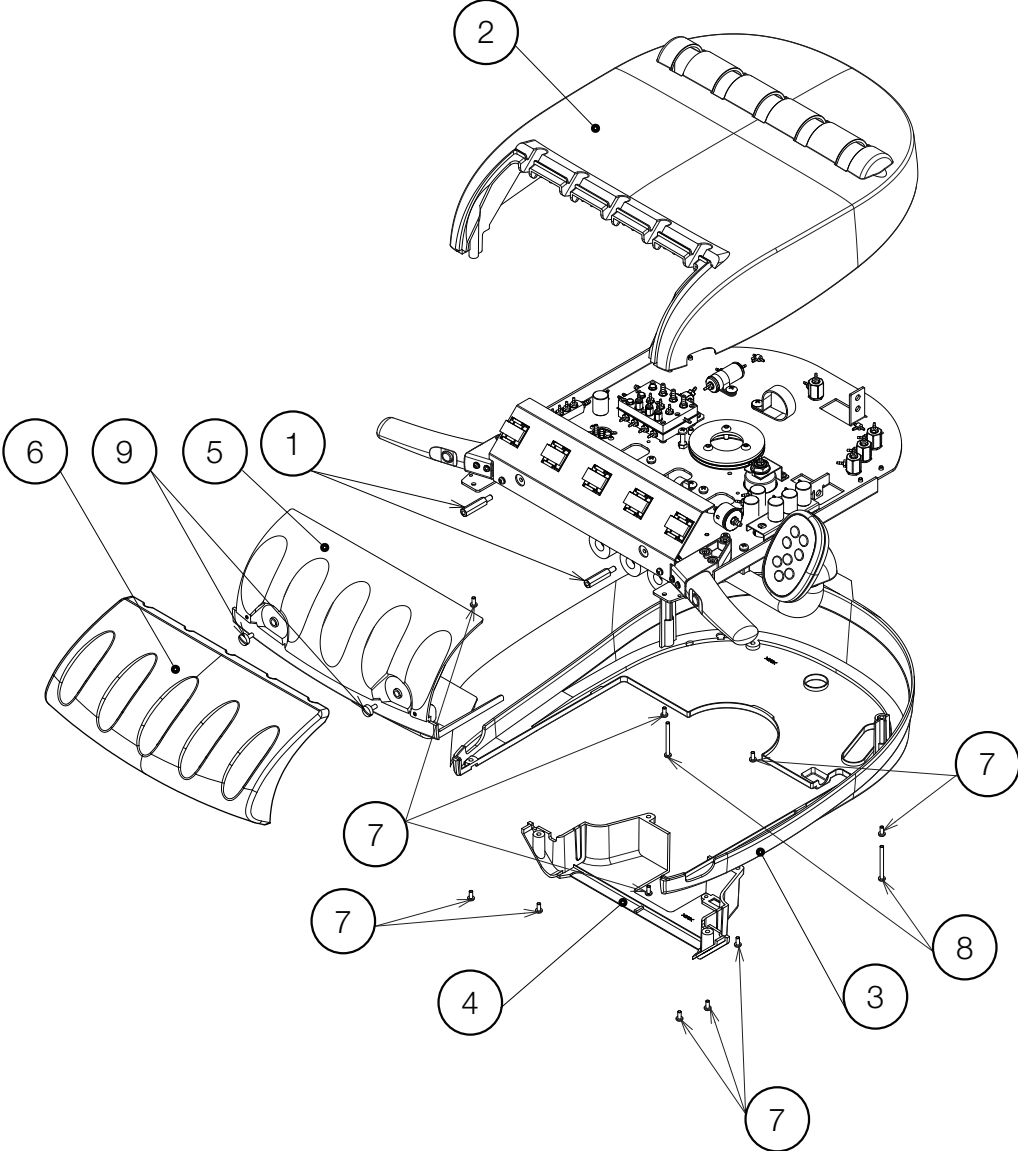


1-5. AIR MANIFOLD



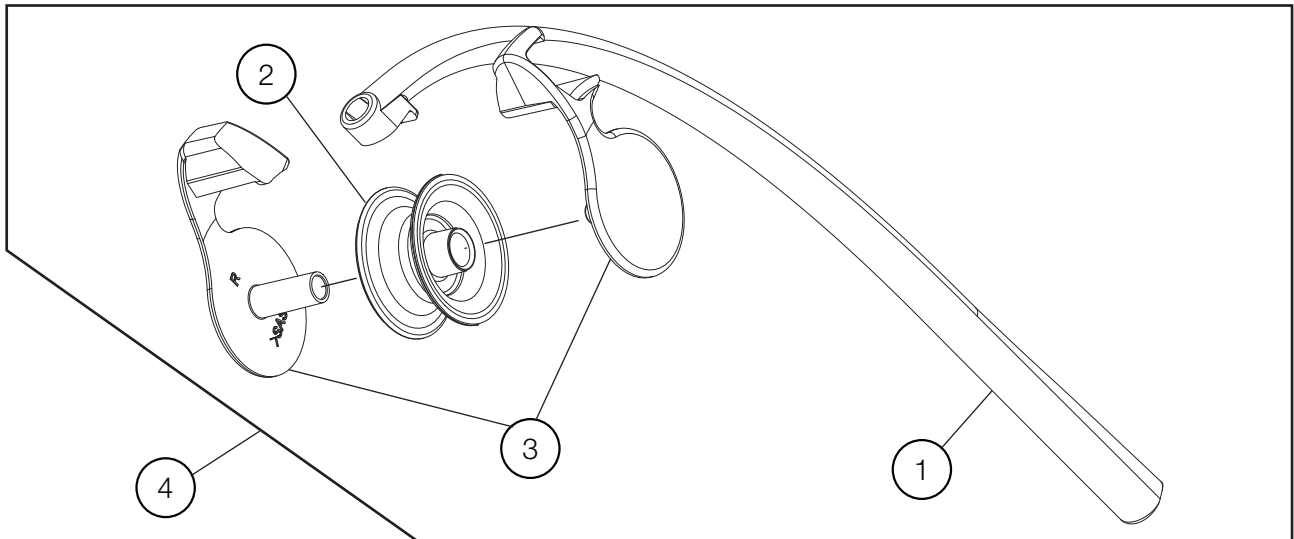
| NO. | PARTS NO. | DESCRIPTION | QTY | APPLICABLE SERIAL NO. | NOTE |
|-----|-----------|-----------------------------|-----|-----------------------|----------------|
| 1 | AFFS05A0 | 1/8 INX10-32 BARB (PLATED) | - | | USA P-N: P1053 |
| 2 | AFFS04A0 | 1/16 INX10-32 BARB (PLATED) | - | | USA P-N: P1052 |
| 3 | AFFU48A0 | WASHER 10-32 (SEAL) | - | | USA P-N: P1055 |
| 4 | AFFU49A0 | BRASS HEX PLUG 10-32 | - | | USA P-N: P1054 |
| 5 | 1P04AVA0 | MANIFOLD W/O BOWL | 1 | | |
| 6 | 1P04AWA0 | MANIFOLD W/ BOWL | 1 | | |

2-1. COVER PARTS

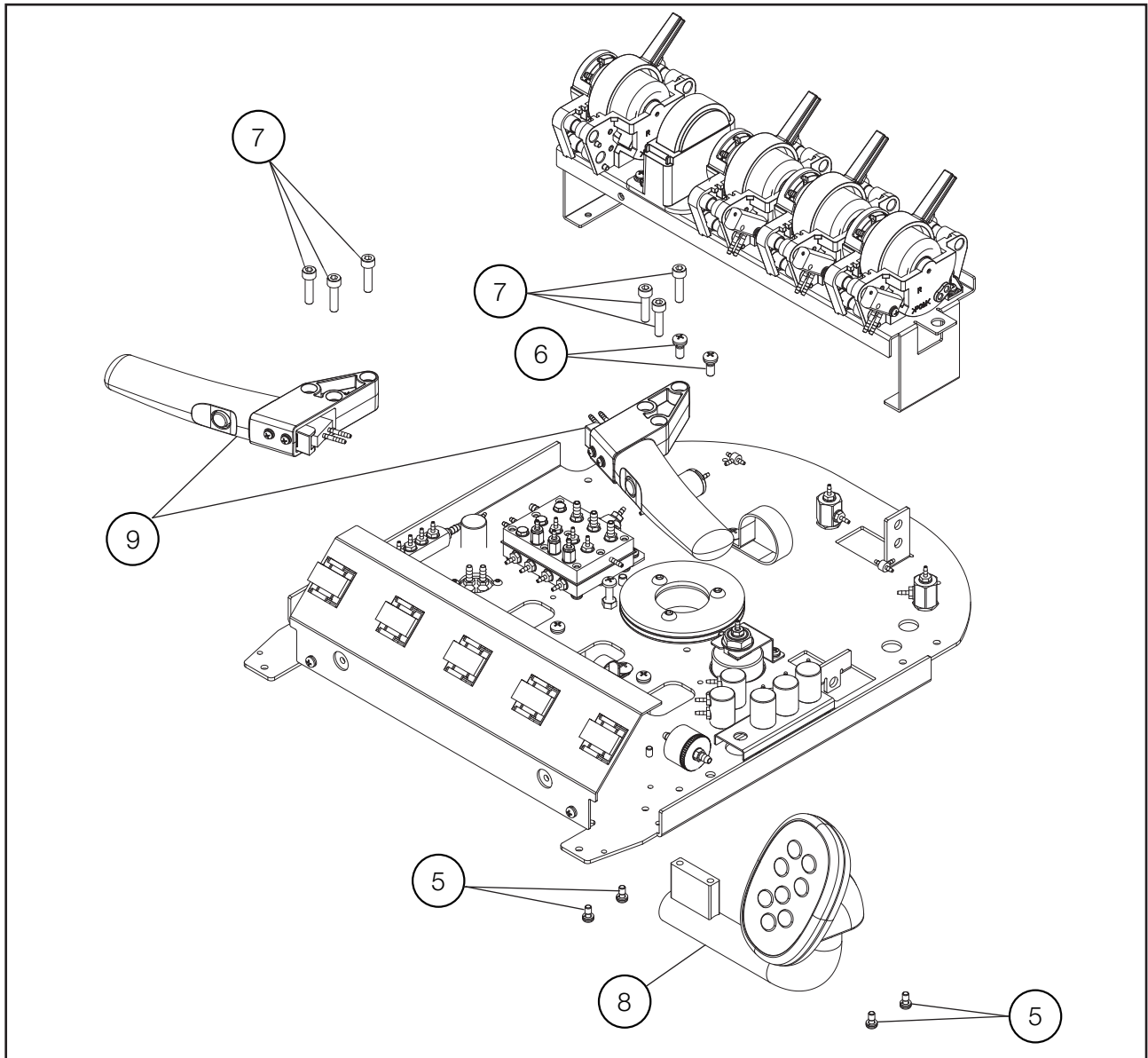


| NO. | PARTS NO. | DESCRIPTION | QTY | APPLICABLE SERIAL NO. | NOTE |
|-----|-----------|--|-----|-----------------------|------|
| 1 | 1E06CUA0 | HEX SPACER BSB-530E | 2 | | |
| 2 | 1A0MYTB0 | ROD TABLE COVER(T) E | 1 | | |
| 3 | 1A0MYPA0 | ROD TABLE COVER(U) | 1 | | |
| 4 | 1A0MYQA0 | ROD HOSE COVER(R) | 1 | | |
| 5 | 1A0MYRA0 | ROD HOSE COVER(F) | 1 | | |
| 6 | 1A0MYSC0 | ROD HP REST | 1 | VW21C0162 | |
| 7 | ZA111LPU | PAN HEAD SCREW M4x8 SUS | 10 | | |
| 8 | ZA111L2Y | PAN HEAD SCREW M4x40 CHROME | 2 | | |
| 9 | AEFY91A0 | STRAIGHT SLOT KNURLED HEAD SCREW M5X10 | 2 | | |

2-2. ROD ARM PARTS

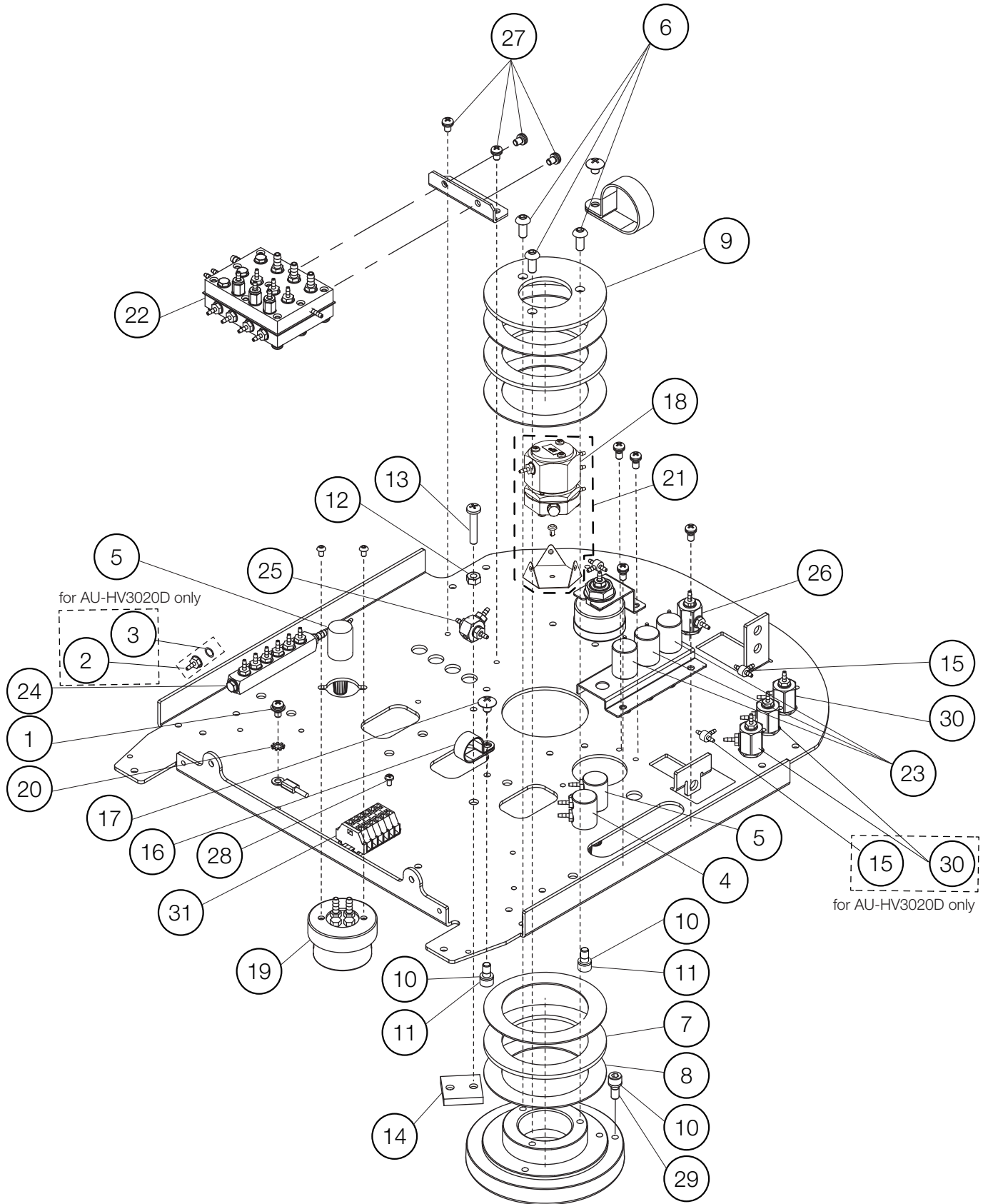


2-3. TABLE ASSY.



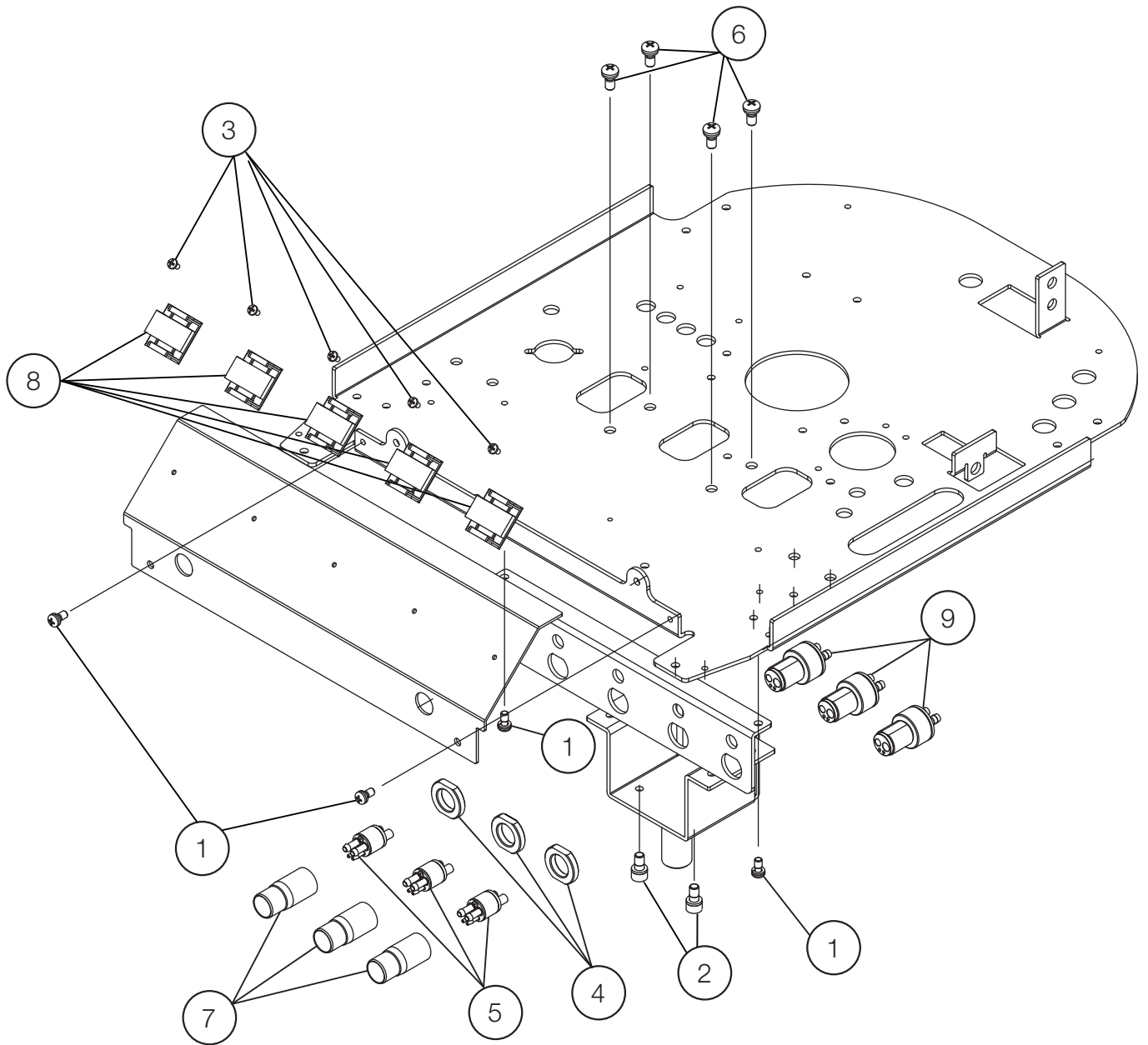
| NO. | PARTS NO. | DESCRIPTION | QTY | APPLICABLE SERIAL NO. | NOTE |
|-----|-----------|--------------------------------|-----|-----------------------|------|
| 1 | 1A0MYXA0 | ROD ARM | 1 | | |
| 2 | 1A0MYB0 | ROD ROLLER | 1 | VW19D0081 | |
| 3 | 1G0739A0 | ROD ROLLER BRACKET (LR) | 1 | | |
| 4 | 1P05K8A0 | ROD ARM PART | 1 | | |
| 5 | ZA887LPU | PAN SEMS SCREW 2P M4x8 SUS | 4 | | |
| 6 | ZA887NSY | PAN SEMS SCREW 2P M5X12 CHROME | 2 | | |
| 7 | ZA761NWG | SOCKET HEAD SCREW M5x20 BLACK | 6 | | |
| 8 | 1P05KAA0 | CONTROL PART ASSEMBLY | 1 | | |
| 9 | 1P05KBA0 | ROD HANDLE PART | 2 | | |

2-4. TABLE INTERNAL PARTS



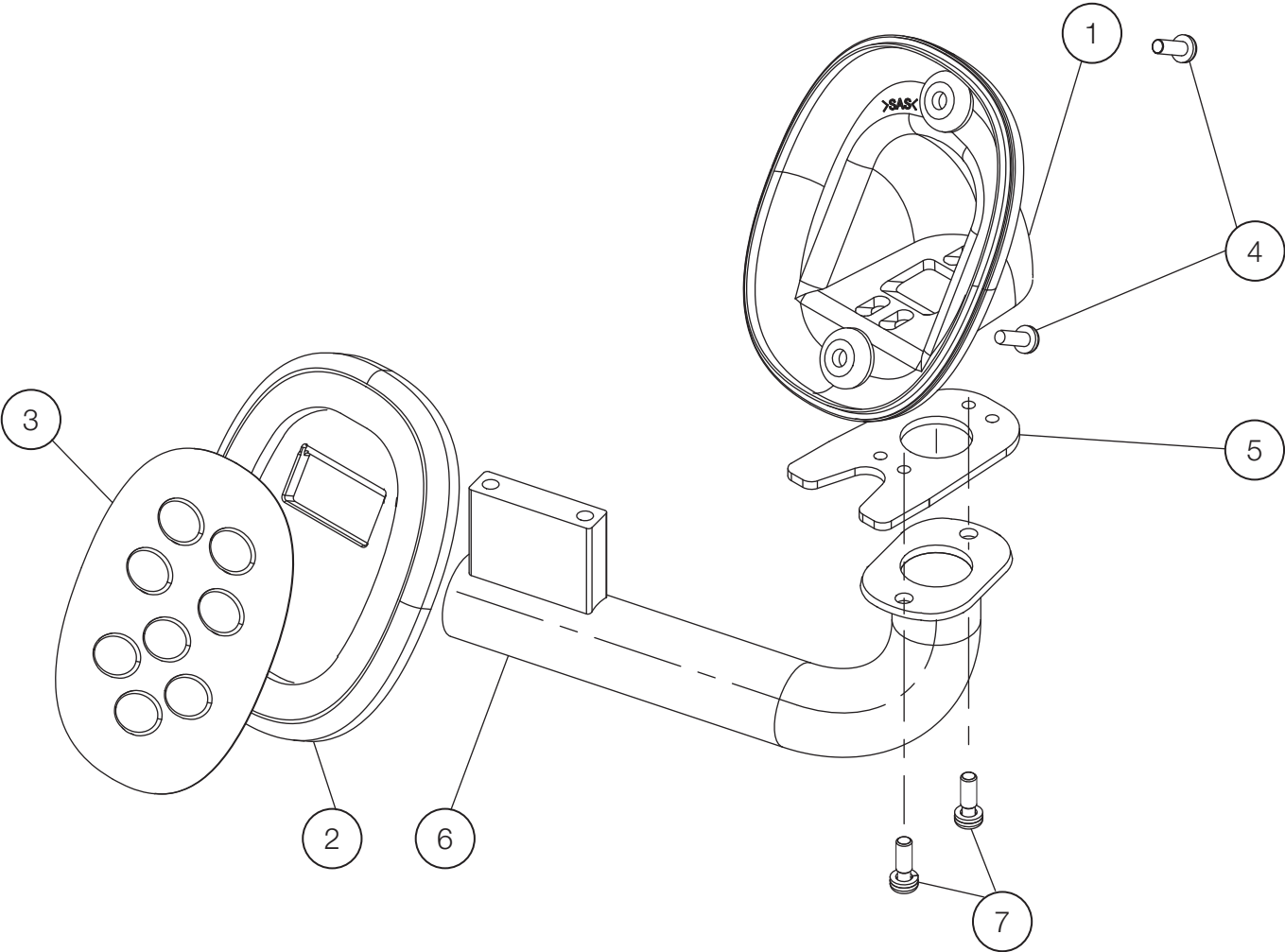
| NO. | PARTS NO. | DESCRIPTION | QTY | APPLICABLE SERIAL NO. | NOTE |
|-----|-----------|--|-----|-----------------------|--------------------------|
| 1 | ZA88JLPU | PAN SEMS SCREW 3P M4X8 SUS | 1 | | |
| 2 | AFFS04A0 | 1/16 INX10-32 BARB (PLATED) | 1 | | USA P-N: P1052 |
| 3 | AFFU48A0 | WASHER 10-32 (SEAL) | 1 | | USA P-N: P1055 |
| 4 | 1P053ZA0 | NEEDLE VALVE FOR WATER | 1 | | |
| 5 | 1P0540A0 | NEEDLE VALVE FOR AIR | 2 | | |
| 6 | ZSA11NSU | HEX BUTTON HEAD SCREW M5X12 SUS | 3 | | |
| 7 | AFFR95A0 | THRUST BEARING (AXK1111) | 2 | | |
| 8 | AFFR96A0 | THRUST WASHER (AS-1111) | 4 | | |
| 9 | AAFT80A0 | TABLE FIXING WASHER | 1 | | |
| 10 | ZB511NAU | SPRING WASHER ϕ 5 SUS | 3 | | |
| 11 | ZA761NLG | HEX SOCKET HEAD SCREW M5x5 BLACK | 2 | | |
| 12 | ZA812NAY | NUT M5 CHROME | 1 | | |
| 13 | ZA887NXY | PAN HEAD SEMS SCREW 2P M5X22 CHROME | 1 | | |
| 14 | AAFT74A0 | TABLE ROTATING BRAKE | 1 | | |
| 15 | AFFW91A0 | 1/16 IN BARB TEE PLATED | 2 | | USA P-N: P1875 |
| 16 | Q-31130 | NYLON CLAMP(3330 5/8) | 1 | | |
| 17 | ZA114NRU | TRUSS M5X10 SUS | 1 | | |
| 18 | 1P07FZA0 | PULL BACK VALVE | 1 | | |
| 19 | 1E04R2A0 | OIL MIST SEPARATOR | 1 | | |
| 20 | ZB552LAU | EXTERNAL TOOTH WASHER M4 SUS | 1 | | |
| 21 | 1P07FYA0 | PULL BACK VALVE WITH BRACKET AND RIVET | 1 | | |
| 22 | 1P07H7A0 | AUTO SELECT VALVE ASSEMBLY FOR 3 HP TUBINGS (EXCEPT FOR SYRINGE) | 1 | | FOR CONTINENTAL DELIVERY |
| | 1P07H8A0 | AUTO SELECT VALVE ASSEMBLY FOR 4 HP TUBINGS (EXCEPT FOR SYRINGE) | | | |
| 23 | 1P07HLA0 | NEEDLE VALVE ASSEMBLY WITH 1.8 BF FOR WATER | 3 | | |
| 24 | 1P04AVA0 | MANIFOLD W/O BOWL | 1 | | |
| | 1P04AWA0 | MANIFOLD W/BOWL | | | |
| 25 | 1P06GPA0 | SHUTTLE VALVE ASSEMBLY | 1 | | |
| 26 | 1P06HRA0 | 3V VALVE SWITCH (A) | 1 | | |
| 27 | ZA887LPU | PAN SEMS SCREW 2P M4X8 SUS | 4 | | |
| 28 | ZA111JNU | PAN HEAD SCREW M3X6 SUS | 1 | | |
| 29 | ZA761NPG | HEX SOCKET HEAD SCREW M5X8 BLACK | 1 | | |
| 30 | 1P06HSA0 | 3V VALVE SWITCH (M) | 1 | | |
| 31 | 1P057FA0 | CAGE CLAMP ASSEMBLY | 1 | | |

2-5. ROD STRUCTURE PARTS



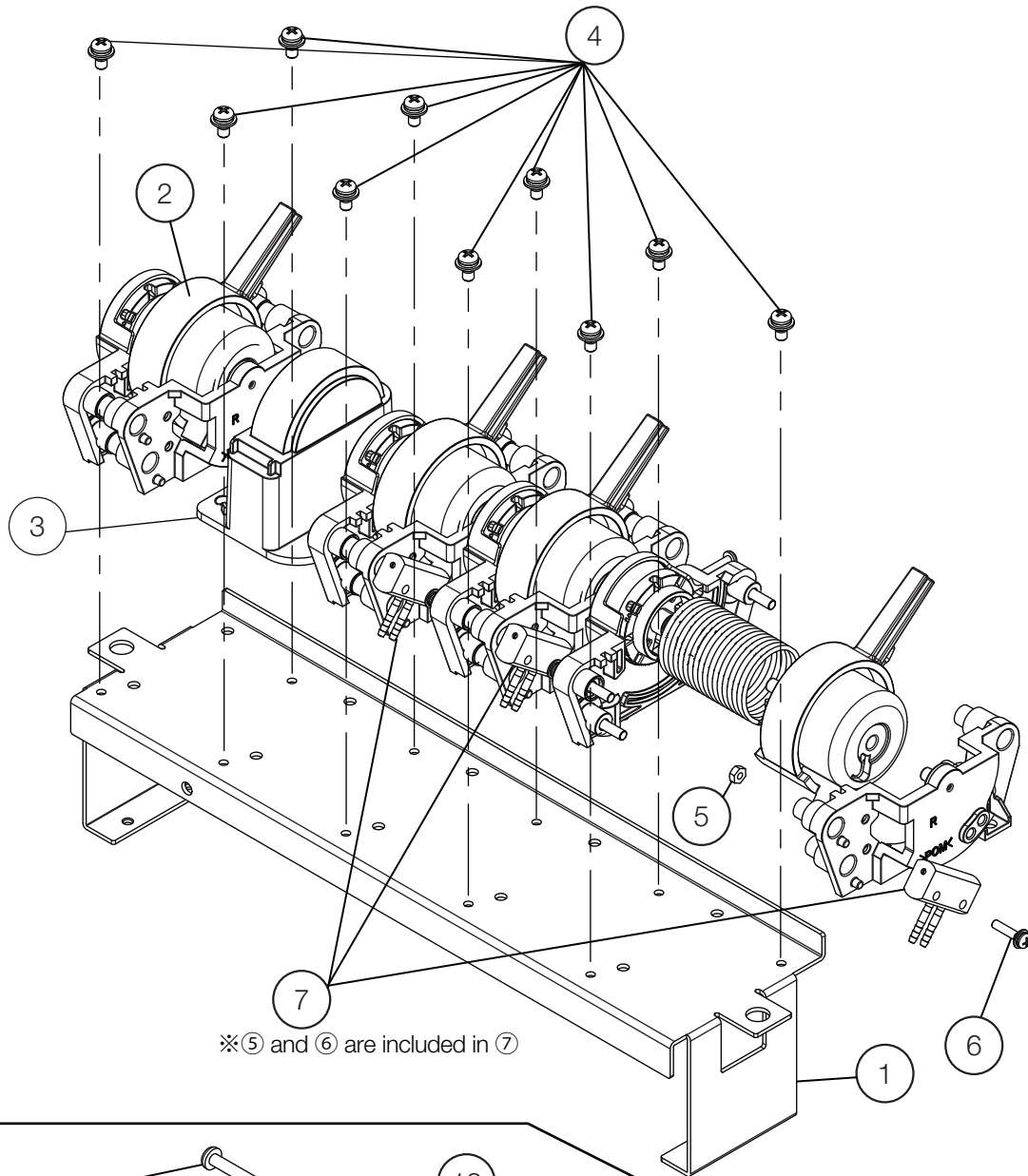
| NO. | PARTS NO. | DESCRIPTION | QTY | APPLICABLE SERIAL NO. | NOTE |
|-----|-----------|------------------------------------|-----|-----------------------|---------------------|
| 1 | ZA887LPU | PAN SEMS SCREW 2P M4X8 SUS | 4 | | |
| 2 | ZA761NLG | HEX SOCKET HEAD SCERW M5x5 BLACK | 2 | | |
| 3 | ZA111GLU | PAN SCREW M3X5 SUS | 5 | | |
| 4 | 1A0K0ECO | CONNECTOR NUT | 3 | | FOR DETACHABLE HOSE |
| 5 | 1P05KDA0 | HP TUBE CONNECT ASSEMBLY | 3 | | FOR DETACHABLE HOSE |
| 6 | ZA887NPY | PAN SEMS SCREW 2P M5X8 CHROME | 4 | | |
| 7 | 1A0LP0A0 | 4-HOLE HP NUT | 3 | | FOR DETACHABLE HOSE |
| 8 | 1E06CSA0 | ADJUSTABLE CABLE CLIP ARC.68-S6-14 | 5 | | |
| 9 | 1P05KCA0 | HP HOSE CONNECT ASSEMBLY | 3 | | FOR DETACHABLE HOSE |

2-6. CONTROL PARTS

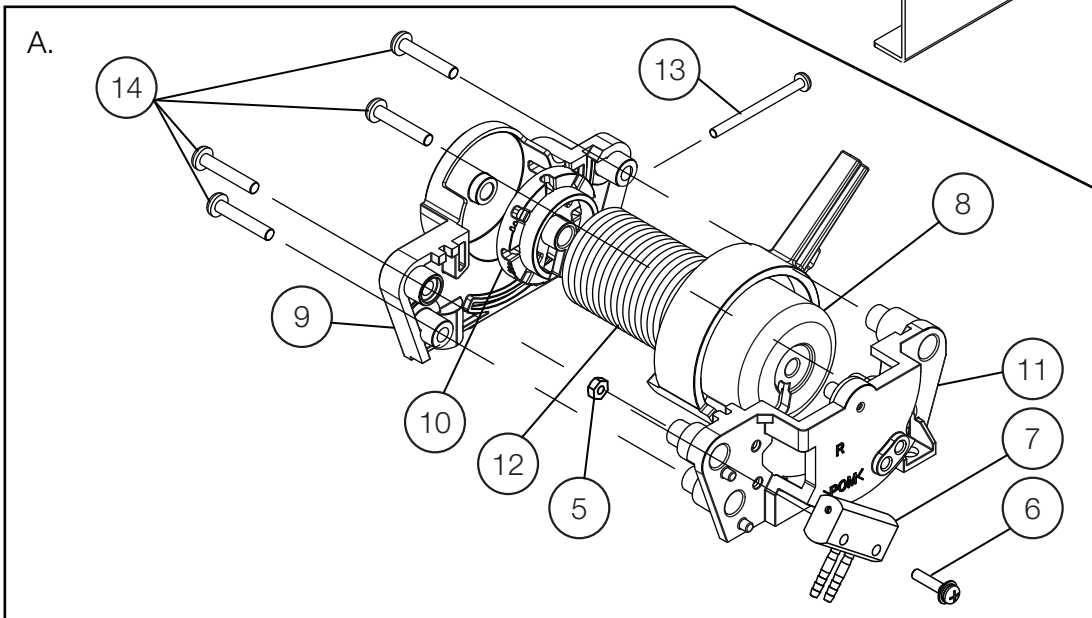


| NO. | PARTS NO. | DESCRIPTION | QTY | APPLICABLE SERIAL NO. | NOTE |
|-----|-----------|----------------------------------|-----|-----------------------|------|
| 1 | 1A0MYWA0 | ROD SW COVER | 1 | | |
| 2 | AAFE98D0 | TOUCH PAD | 1 | | |
| 3 | AGFS16A0 | TOUCH PAD SWITCH | 1 | | |
| 4 | 1A033FA0 | PAN HEAD SCREW M4X10 CHROME N-80 | 2 | | |
| 5 | 1A0MZHA0 | BRACKET FOR CONTROL PAD | 1 | | |
| 6 | 1A0MZ7A0 | CONTROL PAD ARM | 1 | | |
| 7 | ZA887LSU | PAN HEAD SEMS SCREW 2P M4X12 SUS | 2 | | |

2-7. ROD COMPONENT

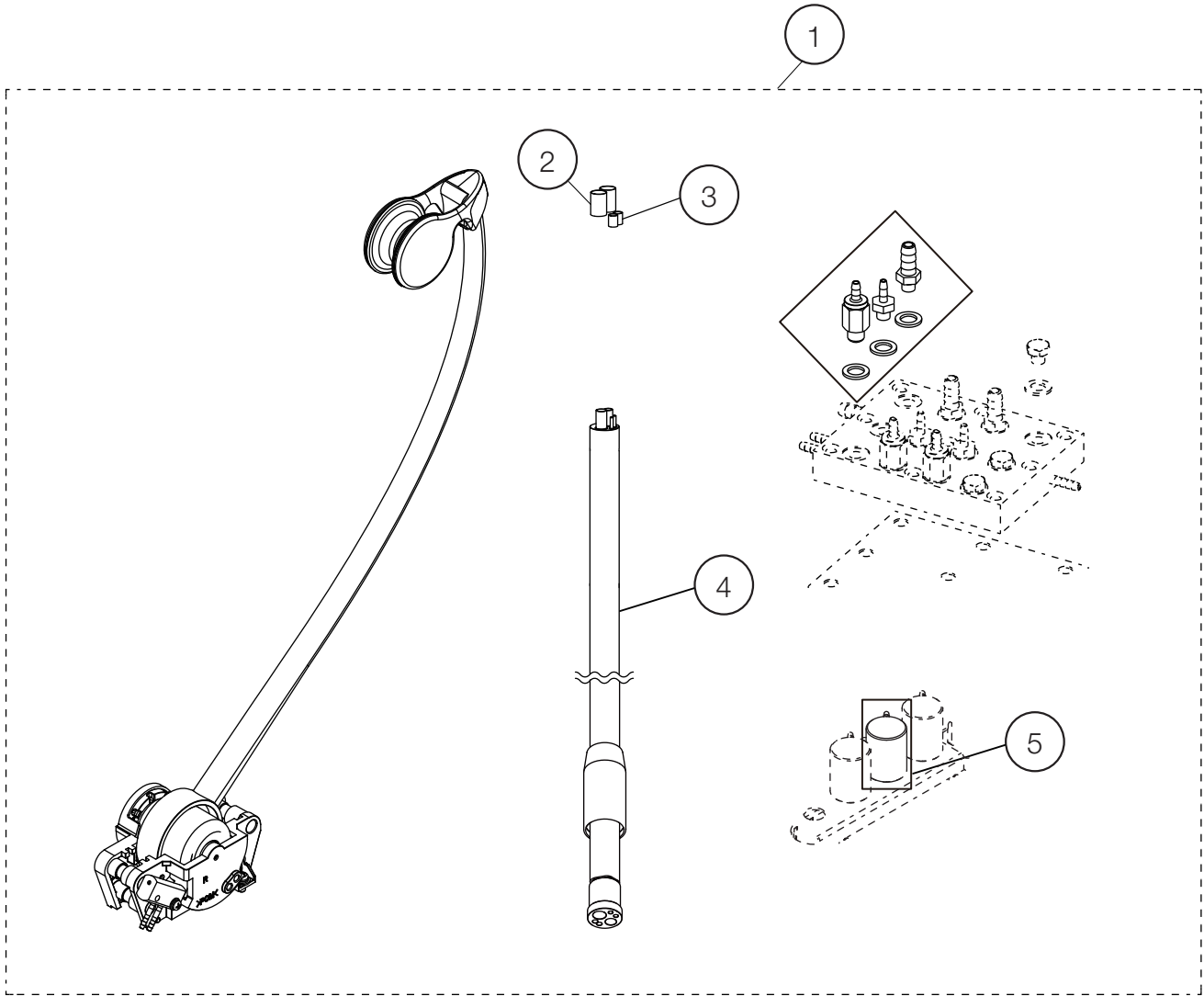


※(5) and (6) are included in (7)



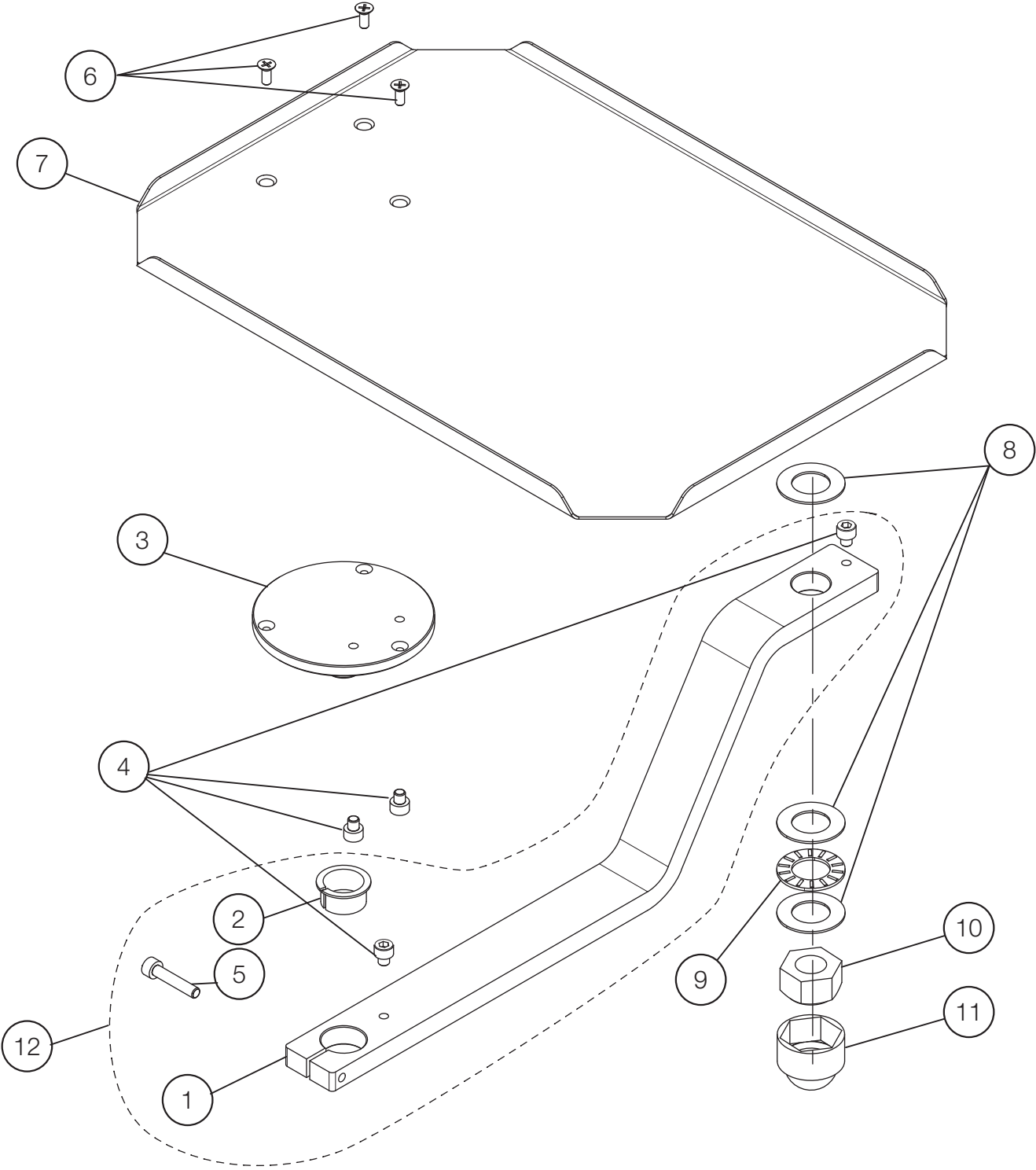
| NO. | PARTS NO. | DESCRIPTION | QTY | APPLICABLE SERIAL NO. | LEAD TIME | NOTE |
|-----|-----------|---|-----|-----------------------|-----------|------|
| 1 | 1A0TS3B0 | BRACKET FOR ROD COMPONENT | 1 | AU20C0002 | C | |
| 2 | 1P05KEA0 | ROD ROTATING PARTS ASSEMBLY | 4 | | C | |
| 3 | 1A0MYVA0 | ROD BLANK COVER | 1 | | C | |
| 4 | ZA88JLPU | PAN SEMS SCREW 3P M4X8 SUS | 10 | | A | |
| 5 | ZA812JAU | NUT M3 SUS | 3 | | A | |
| 6 | ZA88JJTY | PAN SEMS SCREW 3P M3X14 CHROME | 3 | | A | |
| 7 | 1P05KFA0 | ROD PILOT VALVE(A) | 3 | VW18K0036 | C | |
| 8 | 1A0MZ4C0 | ROD ROTATION AXIS | 1 | | C | |
| 9 | 1A0MYZA0 | ROD AXIS BRACKET L | 1 | | C | |
| 10 | 1A0MZ1A0 | ADJUST BLOCK | 1 | | C | |
| 11 | 1A0MZ0C0 | ROD AXIS BRACKET R | 1 | | C | |
| 12 | 1A0MZ6A0 | ROD SPRING | 1 | | C | |
| 13 | ZA111J1U | PAN SCREW M3X35 SUS | 1 | | A | |
| 14 | AFFX60A0 | PAN SCREW P TYPE M4X20 CHROME | 4 | | A | |
| A | 1P07EKA0 | ROD ROTATING PARTS ASSEMBLY WITH PILOT VALVE(A) | 1 | | C | |

2-8. ROD ADDITIONAL HP



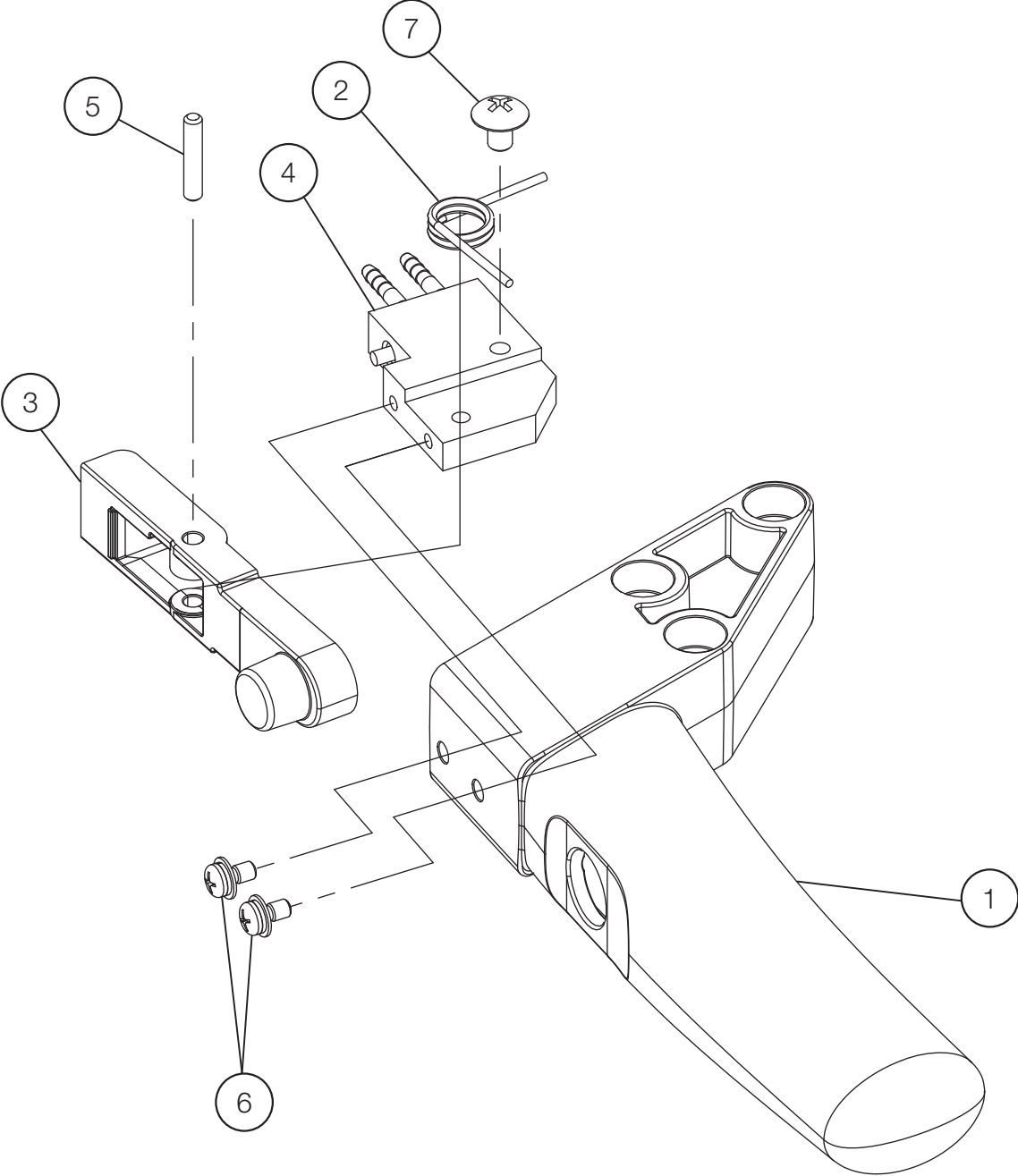
| NO. | PARTS NO. | DESCRIPTION | QTY | APPLICABLE SERIAL NO. | NOTE |
|-----|-----------|---|-----|-----------------------|---|
| 1 | 1P07HGA0 | ROD ADDITIONAL HP | 1 | | FOR ROD ADDITIONAL HP (DETACHABLE HOSE SPEC.): 1P05J3A0 |
| 2 | FJMA79A0 | SLEEVE 3.8 CLEAR | 2 | | FOR ROD ADDITIONAL HP (DETACHABLE HOSE SPEC.): USA P-N: P1062 |
| 3 | 1E03YJA0 | SLEEVE 2.7X3.3 | 2 | | FOR ROD ADDITIONAL HP (DETACHABLE HOSE SPEC.): USA P-N: P1061 |
| 4 | 1E05GVA0 | HP HOSE | 1 | | |
| 5 | 1P07HLA0 | NEEDLE VALVE ASSEMBLY WITH 1.8 BF FOR WATER | 1 | | FOR ROD ADDITIONAL HP (DETACHABLE HOSE SPEC.): 1P06K1A0 |

2-9. SUB TRAY PARTS



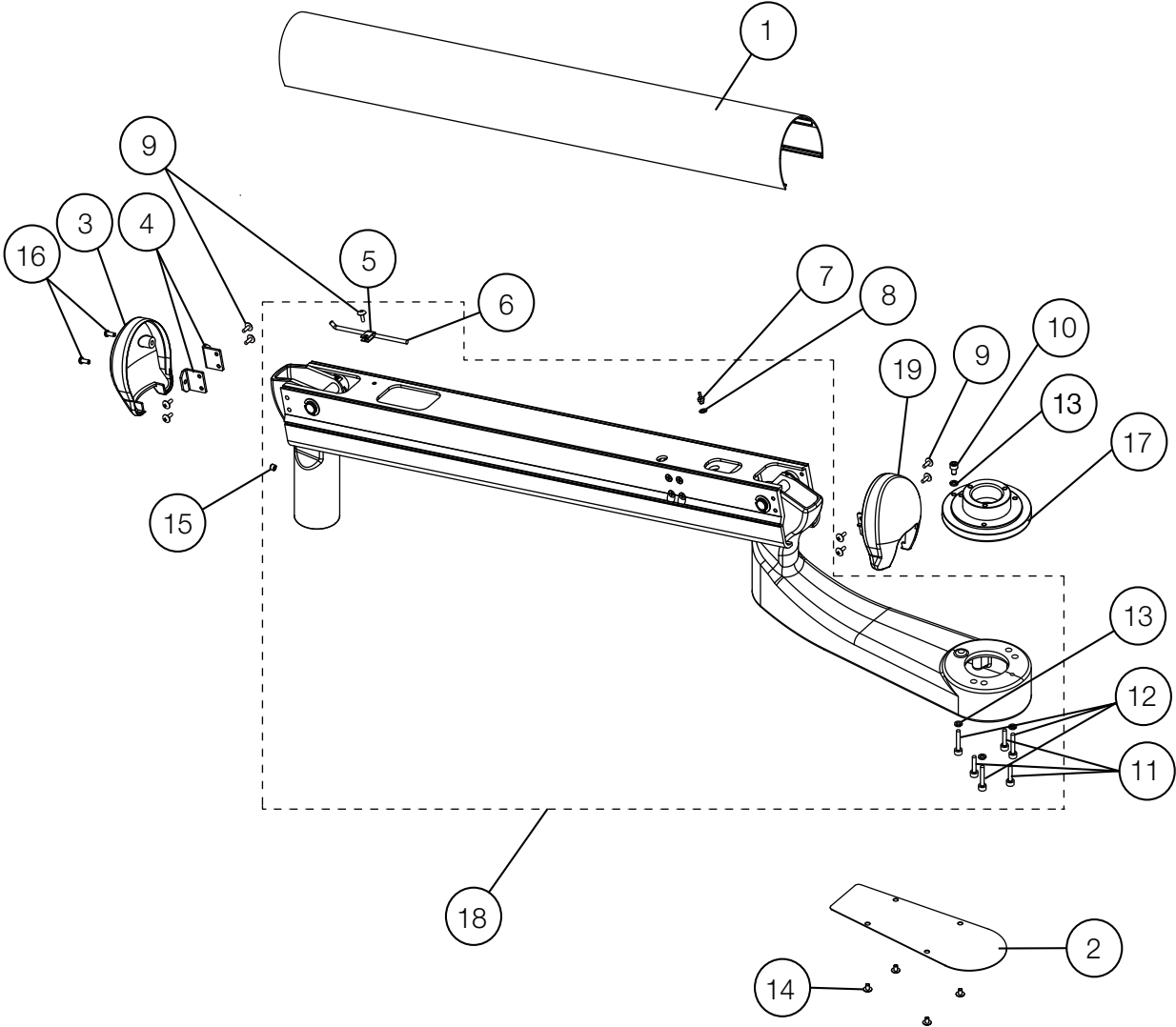
| NO. | PARTS NO. | DESCRIPTION | QTY | APPLICABLE SERIAL NO. | NOTE |
|-----|-----------|----------------------------------|-----|-----------------------|------|
| 1 | 1A0MZBCV | TRAY ARM | 1 | VW19G0007 | |
| 2 | 1A03A0A0 | BRAKE RING | 1 | | |
| 3 | 1A0MZAA0 | TRAY FLANGED SHAFT | 1 | | |
| 4 | ZA761NLG | HEX SOCKET HEAD SCREW M5x5 BLACK | 4 | | |
| 5 | ZA761NYU | SOCKET HEAD SCREW M5X25 SUS | 1 | | |
| 6 | ZA112LRU | FLAT HEAD SCREW M4X10 | 3 | | |
| 7 | 1A0QPPAV | USA SUB TRAY | 1 | | |
| 8 | 1E02E4A0 | THRUST WASHER AS-1103 | 3 | | |
| 9 | 1E02E6A0 | NEEDLE BEARING AXK-1103 | 1 | | |
| 10 | FJCA19A0 | U NUT M16XP2 | 1 | | |
| 11 | 1E06NPA0 | NUT CAP M16 | 1 | | |
| 12 | 1P05KGA0 | TRAY ARM ASSEMBLY | 1 | | |

2-10. TABLE INTERNAL PARTS



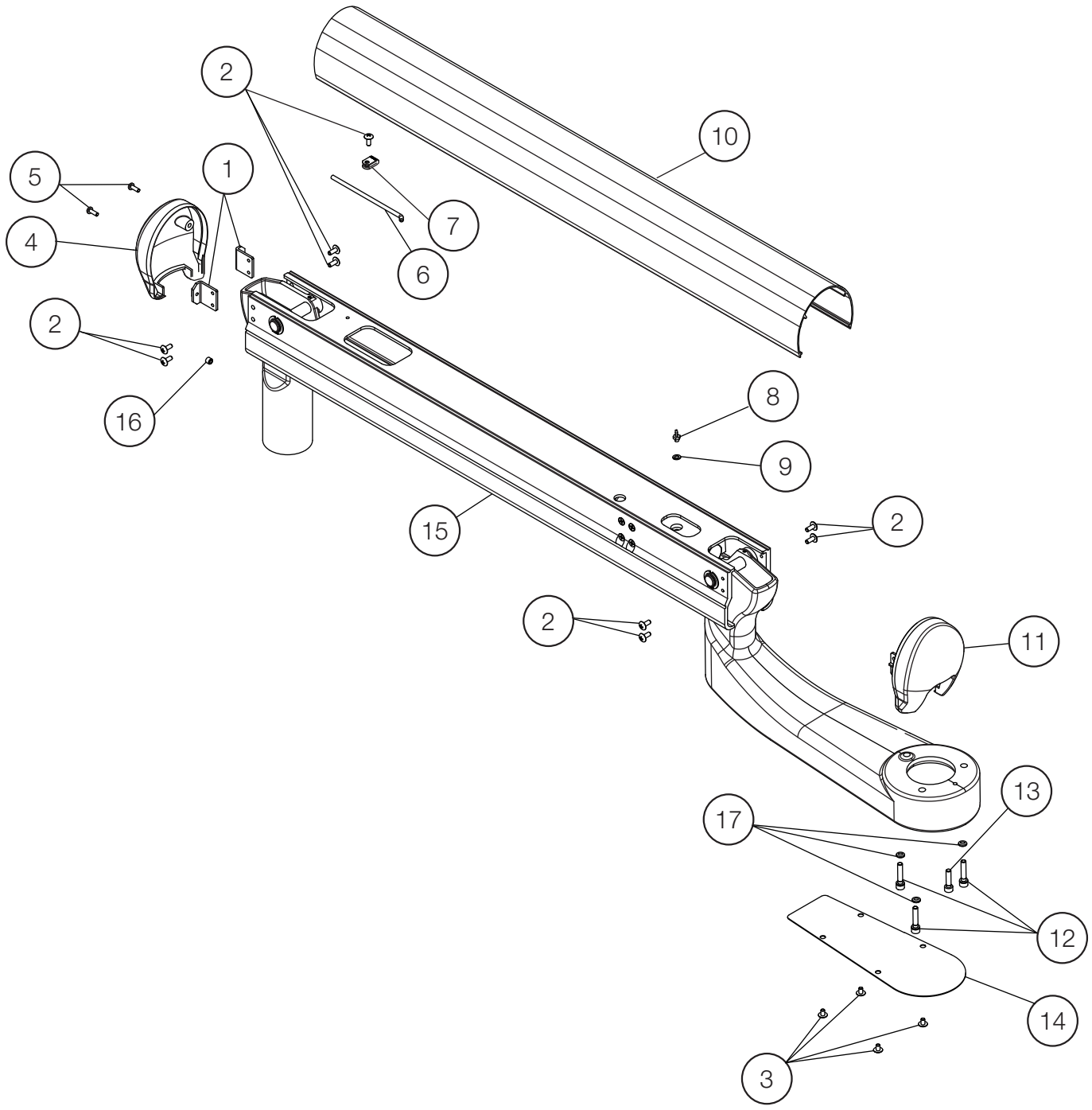
| NO. | PARTS NO. | DESCRIPTION | QTY | APPLICABLE SERIAL NO. | NOTE |
|-----|-----------|------------------------------------|-----|-----------------------|------|
| 1 | 1A0MZ5A0 | ROD HANDLE | 1 | | |
| 2 | 1A0MZDA0 | SPRING FOR LEVER | 1 | | |
| 3 | 1A0MZ2A0 | AIR BRAKE LEVER | 1 | | |
| 4 | 1P05KLA0 | ROD BRAKE VALVE | 1 | | |
| 5 | 1A0MZKA0 | SHAFT FOR LEVER | 1 | | |
| 6 | ZA88JJNY | PAN HEAD SEMS SCREW 3P M3X6 CHROME | 2 | | |
| 7 | ZA114LNU | TRUSS M4X6 SUS | 1 | | |

3-1. BALANCE ARM FOR TRADITIONAL CHAIR MOUNTED DELIVERY STYLE



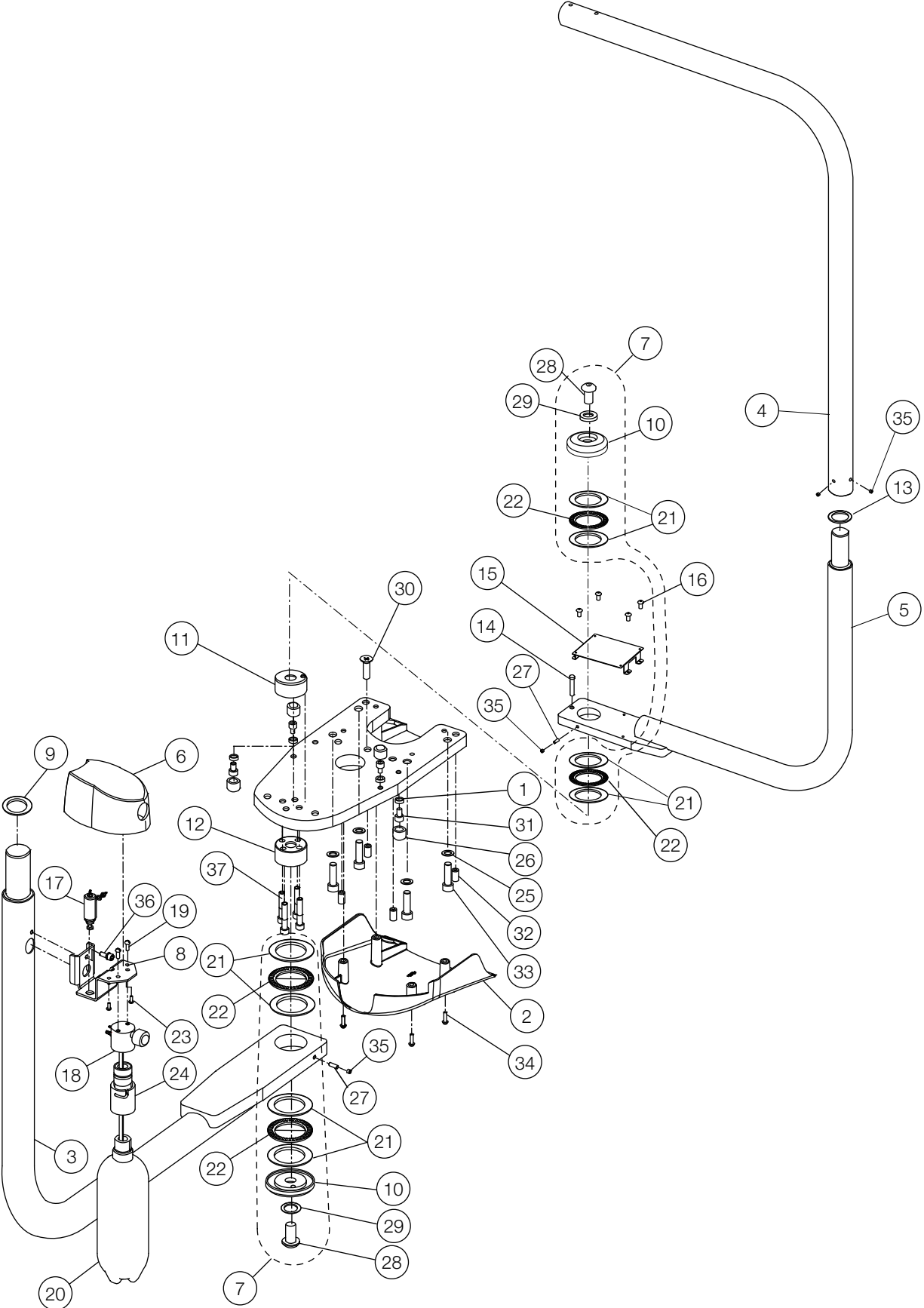
| NO. | PARTS NO. | DESCRIPTION | QTY | APPLICABLE SERIAL NO. | NOTE |
|-----|-----------|---|-----|-----------------------|----------------|
| 1 | AAFK84AV | BALANCE ARM FRAME COVER | 1 | | |
| 2 | AAFK85AV | TABLE BRACKET BOTTOM COVER | 1 | | |
| 3 | AAFF04C0 | END CAP | 1 | | |
| 4 | AAFT87A0 | BRACKET FOR ARM END CAP | 2 | | |
| 5 | APNA19A0 | NYLON CLAMP NK-2N | 1 | | |
| 6 | CANF43B0 | ADJUSTING BAR FOR SPRING | 1 | | |
| 7 | AFFS04A0 | 1/16 INX10-32 BARB (PLATED) | 1 | | USA P-N: P1052 |
| 8 | AFFU48A0 | WASHER 10-32 (SEAL) | 1 | | USA P-N: P1055 |
| 9 | ZA114LRU | TRUSS M4X10 SUS | 11 | | |
| 10 | ZA761NPG | HEX SOCKET HEAD SCREW M5X8 BLACK | 1 | | |
| 11 | ZA761NWG | SOCKET HEAD SCREW M5x20 BLACK | 3 | | |
| 12 | ZA761NYG | SOCKET HEAD SCREW M5X25 BLACK | 3 | | |
| 13 | ZB511NAU | SPRING WASHER M5 | 4 | | |
| 14 | ZA114LNU | TRUSS M4X6 SUS | 4 | | |
| 15 | ZA774OLU | HEX SOCKET SET SCREW (CUP POINT) M6X5 SUS | 2 | | |
| 16 | ZA111LRY | PAN HEAD SCREW M4X10 CHROME | 2 | | |
| 17 | 1A0GNGB0 | TABLE ROTATION SHAFT | 1 | | |
| 18 | 1P0459A0 | BALANCE ARM ASSEMBLY | 1 | | |
| 19 | AAFF05C0 | END CAP (REAR) | 1 | | |

3-2. BALANCE ARM FOR CONTINENTAL CHAIR MOUNTED DELIVERY SYSTEM



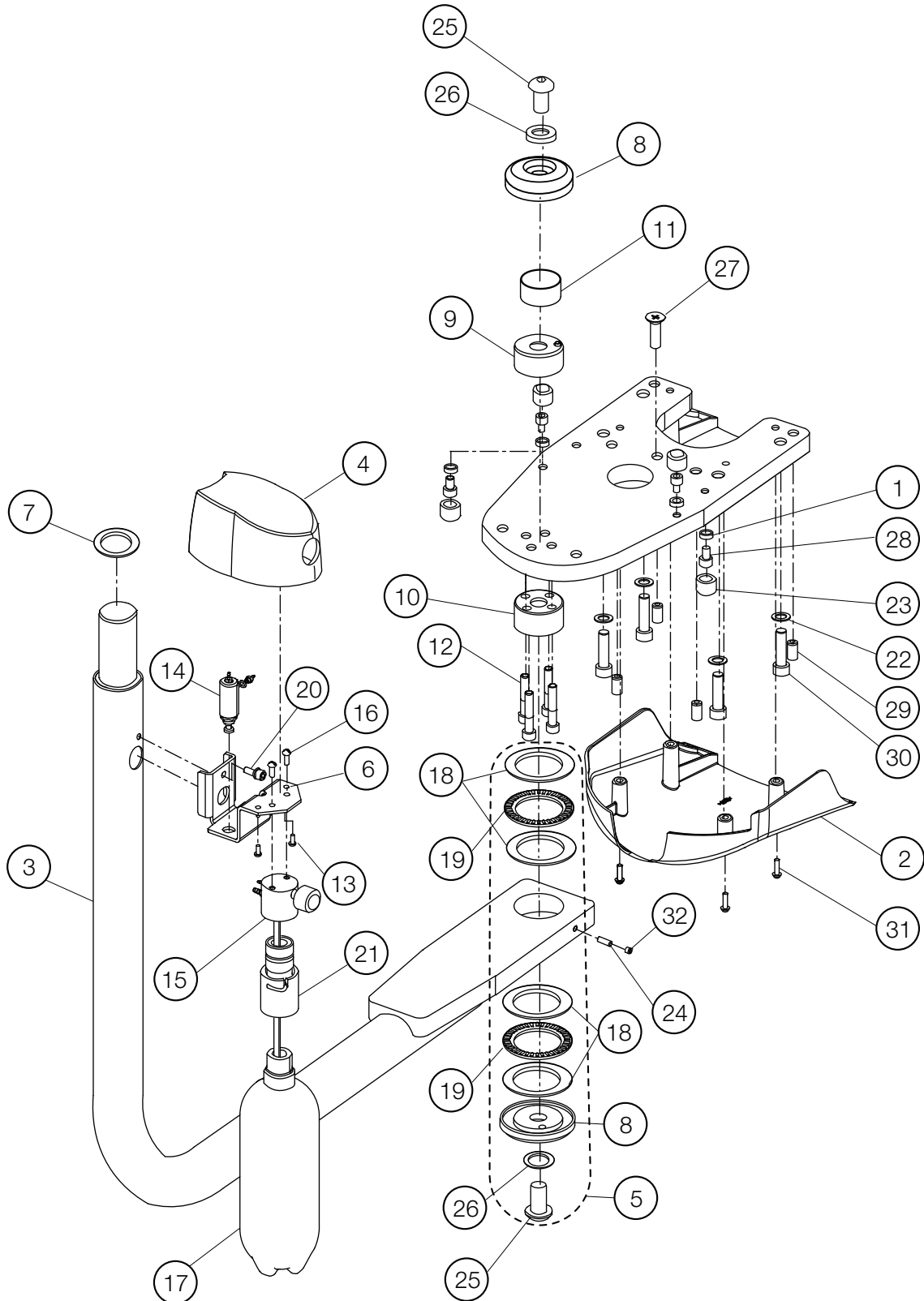
| NO. | PARTS NO. | DESCRIPTION | QTY | APPLICABLE SERIAL NO. | NOTE |
|-----|-----------|---|-----|-----------------------|----------------|
| 1 | AAFT87A0 | BRACKET FOR ARM END CAP | 2 | | |
| 2 | ZA114LRU | TRUSS HEAD SCREW M4X10 SUS | 9 | | |
| 3 | ZA114LNU | TRUSS M4X6 SUS | 4 | | |
| 4 | AAFF04C0 | END CAP | 1 | | |
| 5 | ZA111LRY | PAN HEAD SCREW M4X10 CHROME | 2 | | |
| 6 | CANF43B0 | ADJUSTING BAR FOR SPRING | 1 | | |
| 7 | APNA19A0 | NYLON CLAMP NK-2N | 1 | | |
| 8 | AFFS04A0 | 1/16 INX10-32 BARB (PLATED) | 1 | | USA P-N: P1052 |
| 9 | AFFU48A0 | WASHER 10-32 (SEAL) | 1 | | USA P-N: P1055 |
| 10 | AAFK84A0 | COVER FOR PIPING | 1 | | |
| 11 | AAFF05C0 | END CAP (REAR) | 1 | | |
| 12 | ZA761NYG | SOCKET HEAD SCREW M5X25 BLACK | 3 | | |
| 13 | ZA761NWG | SOCKET HEAD SCREW M5X20 BLACK | 1 | | |
| 14 | AAFK85A0 | BOTTOM COVER FOR TABLE BRACKET | 1 | | |
| 15 | 1P05GKA0 | ROD BALANCE ARM | 1 | | |
| 16 | ZA774OLU | HEX SOCKET SET SCREW (CUP POINT) M6X5 SUS | 1 | | |
| 17 | ZB511NAU | SPRING WASHER ϕ 5 SUS | 3 | | |

4-1. DR. SWING ARM & LIGHT SWING ARM ASSY (AU-HV3370SQ)



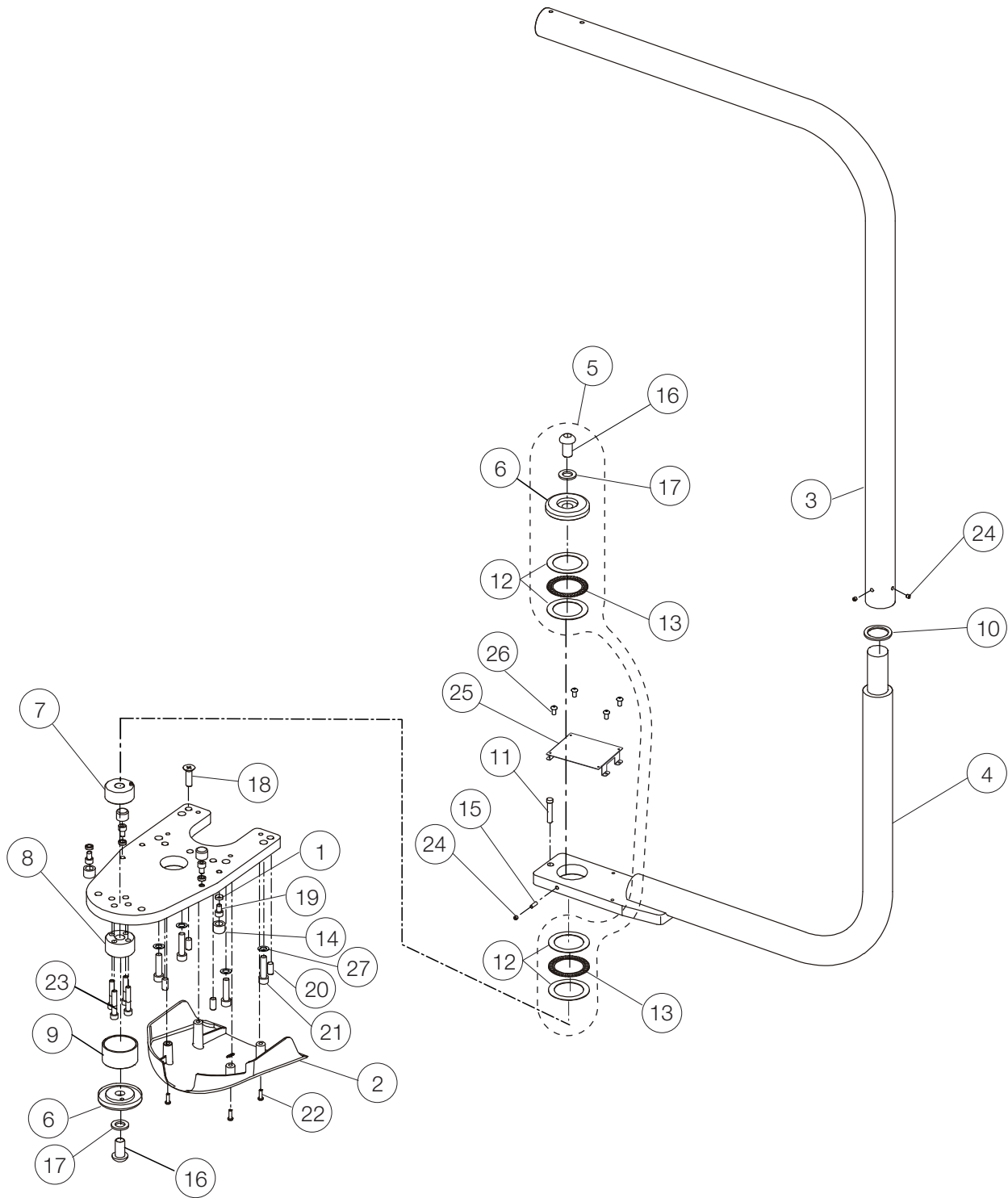
| NO. | PARTS NO. | DESCRIPTION | QTY | APPLICABLE SERIAL NO. | NOTE |
|-----|-----------|--|-----|-----------------------|----------------------|
| 1 | AAET81A0 | SPACER FOR ARM STOPPER | 4 | | |
| 2 | AAFB95C0 | HOSE COVER | 1 | | |
| 3 | 1A0HHGAV | DOCTOR SWING ARM (EVOGUE) | 1 | | |
| 4 | 1P048MA0 | L-SHAPED LIGHT POLE ASSEMBLY | 1 | | |
| 5 | 1A0HCPAV | LIGHT SWING ARM | 1 | | |
| 6 | AAFF06C0 | WATER BOTTLE COVER | 1 | | |
| 7 | 1P074JA0 | ROTATION WASHER ASSY | - | | |
| 8 | AAFK86A0 | BRACKET FOR WATER BOTTLE (SA) | 1 | | |
| 9 | AAFT81B0 | WASHER FOR ROTATION SHAFT | 1 | VG16F0001 | |
| 10 | AAFT92A0 | SWING ARM ROTATION WASHER | 2 | | |
| 11 | 1P04ANA0 | UPPER SHAFT ASSEMBLY | 1 | | |
| 12 | 1P04APA0 | LOWER SHAFT ASSEMBLY | 1 | | |
| 13 | AAFU04B0 | LIGHT POLE ROTATION WASHER | 1 | VG16E0021 | |
| 14 | AAFU05A0 | ROTATION STOPPER | 1 | | |
| 15 | 1A0H3KAV | BRACKET FOR DENTAL LIGHT PCB | 1 | | |
| 16 | ZA114LNU | TRUSS M4X6 SUS | 4 | | |
| 17 | 1P04ALA0 | MINI-AIR REGULATOR W/ BARB AND WASHER | 1 | | |
| 18 | AFFS17A0 | WATER BOTTLE HEAD W/ PRESSURE 1/8" NPTF GAUGE PORT | 1 | | USA P-N: RC18041DBEL |
| 19 | AFFS19A0 | 10-32 1/2 SCREW SUS | 2 | | USA P-N: RF-2010 |
| 20 | AFFS21B0 | WATER BOTTLE 2L | 1 | - | USA P-N: D8164 |
| 21 | AFFS40A0 | THRUST WASHER (AS-1110) | 8 | | |
| 22 | AFFS41A0 | THRUST BEARING (AXK-1111) | 4 | | |
| 23 | FJHA34A0 | PAN HEAD SCREW M4X16 CHROME | 2 | | |
| 24 | AFFV15A0 | QUICK COUPLER KIT | 1 | - | USA P-N: D8941 |
| 25 | ZB511QAY | SPRING WASHER M10 CHROME | 4 | | |
| 26 | DAMS68AA | RUBBER RING FOR ARM STOPPER | 4 | | |
| 27 | FAAA30A0 | BRAKE SHOE | 2 | | |
| 28 | ZSA11TZU | BUTTON CAP SCREW M16X30 SUS | 2 | | |
| 29 | ZB562TAU | WASHER 16X32X2 SUS | 2 | | |
| 30 | ZSA01Q1U | FLAT HEAD SOCKET CAP SCREW M10X35 SUS | 1 | | |
| 31 | ZA761PSG | HEX SOCKET BOLT M8X12 BLACK | 4 | | |
| 32 | ZA771QWU | SET SCREW M10X20 | 4 | | |
| 33 | ZA761Q2G | HEX SOCKET HEAD SCREW M10X40 BLACK | 4 | | |
| 34 | ZA887NUU | PAN HEAD SEMS SCREW 2P M5X16 SUS | 4 | | |
| 35 | ZA774OLU | HEX SOCKET SET SCREW (CUP POINT) M6X5 SUS | 4 | | |
| 36 | ZA761O#U | HEX SOCKET BOLT M6X15 SUS | 1 | | |
| 37 | ZA762P3G | HEX SOCKET BOLT M8X45 | 4 | | |

4-2. DR. SWING ARM (AU-HV3375SQ)



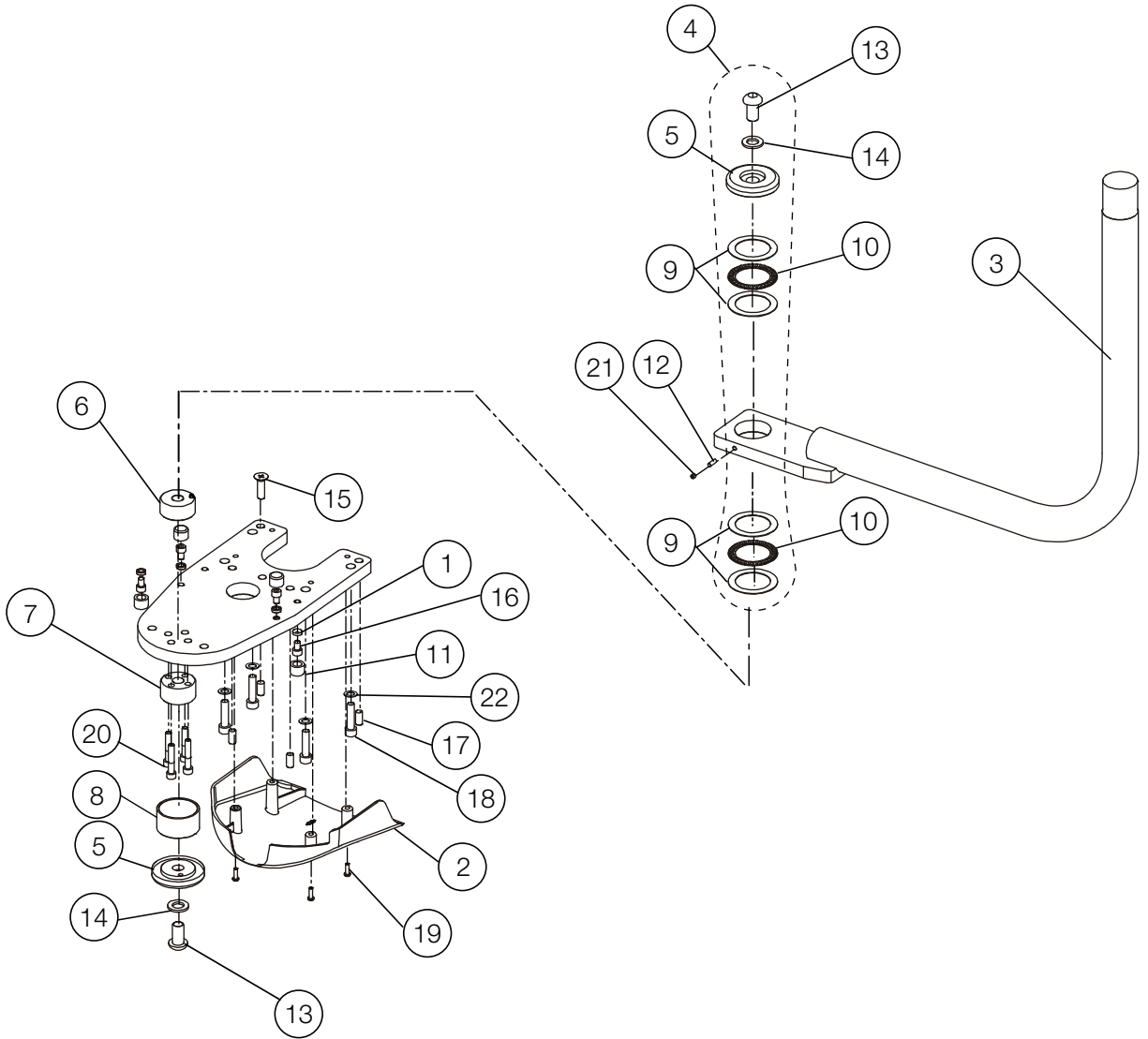
| NO. | PARTS NO. | DESCRIPTION | QTY | APPLICABLE SERIAL NO. | NOTE |
|-----|-----------|--|-----|-----------------------|----------------------|
| 1 | AAET81A0 | SPACER FOR ARM STOPPER | 4 | | |
| 2 | AAFB95C0 | HOSE COVER | 1 | | |
| 3 | 1A0HHGAV | DOCTOR SWING ARM (EVOGUE) | 1 | | |
| 4 | AAFF06C0 | WATER BOTTLE COVER | 1 | | |
| 5 | 1P074JA0 | ROTATION WASHER ASSY | - | | |
| 6 | AAFK86A0 | WATER BOTTLE BRACKET (SA) | 1 | | |
| 7 | AAFT81B0 | WASHER FOR ROTATION SHAFT | 1 | VG16F0001 | |
| 8 | AAFT92A0 | SWING ARM ROTATION WASHER | 2 | | |
| 9 | 1P04ANA0 | UPPER SHAFT ASSEMBLY | 1 | | |
| 10 | 1P04APA0 | LOWER SHAFT ASSEMBLY | 1 | | |
| 11 | AAFU03A0 | COVER FOR ARMLESS UNIT | 1 | | |
| 12 | ZA762P3G | CAP SCREW M8X45 (FULLY THREADED) BLACK | 4 | | |
| 13 | FJHA34A0 | PAN HEAD SCREW M4X16 CHROME | 2 | | |
| 14 | 1P04ALA0 | MINI-AIR REGULATOR W/ BARB AND WASHER | 1 | | |
| 15 | AFFS17A0 | WATER BOTTLE HEAD W/ PRESSURE 1/8" NPTF GAUGE PORT | 1 | | USA P-N: RC18041DBEL |
| 16 | AFFS19A0 | 10-32 1/2 SCREW SUS | 2 | | USA P-N: RF-2010 |
| 17 | AFFS21B0 | WATER BOTTLE 2L | 1 | - | USA P-N: D8164 |
| 18 | AFFS40A0 | THRUST WASHER (AS-1110) | 4 | | |
| 19 | AFFS41A0 | THRUST BEARING (AXK-1110) | 2 | | |
| 20 | ZA761O#U | HEX SOCKET BOLT M6X15 SUS | 1 | | |
| 21 | AFFV15A0 | QUICK COUPLER KIT | 1 | - | USA P-N: D8941 |
| 22 | ZB511QAY | SPRING WASHER M10 CHROME | 4 | | |
| 23 | DAMS68AA | RUBBER RING FOR ARM STOPPER | 4 | | |
| 24 | FAAA30A0 | BRAKE SHOE | 1 | | |
| 25 | ZSA11TZU | BUTTON CAP SCREW M16X30 SUS | 2 | | |
| 26 | ZB562TAU | FLAT WASHER 16X32X2 SUS | 2 | | |
| 27 | ZSA01Q1U | FLAT HEAD SOCKET CAP SCREW M10X35 SUS | 1 | | |
| 28 | ZA761PSG | HEX SOCKET BOLT M8X12 BLACK | 4 | | |
| 29 | ZA771QWU | SET SCREW M10X20 | 4 | | |
| 30 | ZA761Q2G | HEX SOCKET HEAD SCREW M10X40 BLACK | 4 | | |
| 31 | ZA887NUU | PAN HEAD SEMS SCREW 2P M5X16 SUS | 4 | | |
| 32 | ZA774OLU | HEX SOCKET SET SCREW (CUP POINT) M6X5 SUS | 1 | | |

4-3. LIGHT SWING ARM (AU-HV3330SQ)



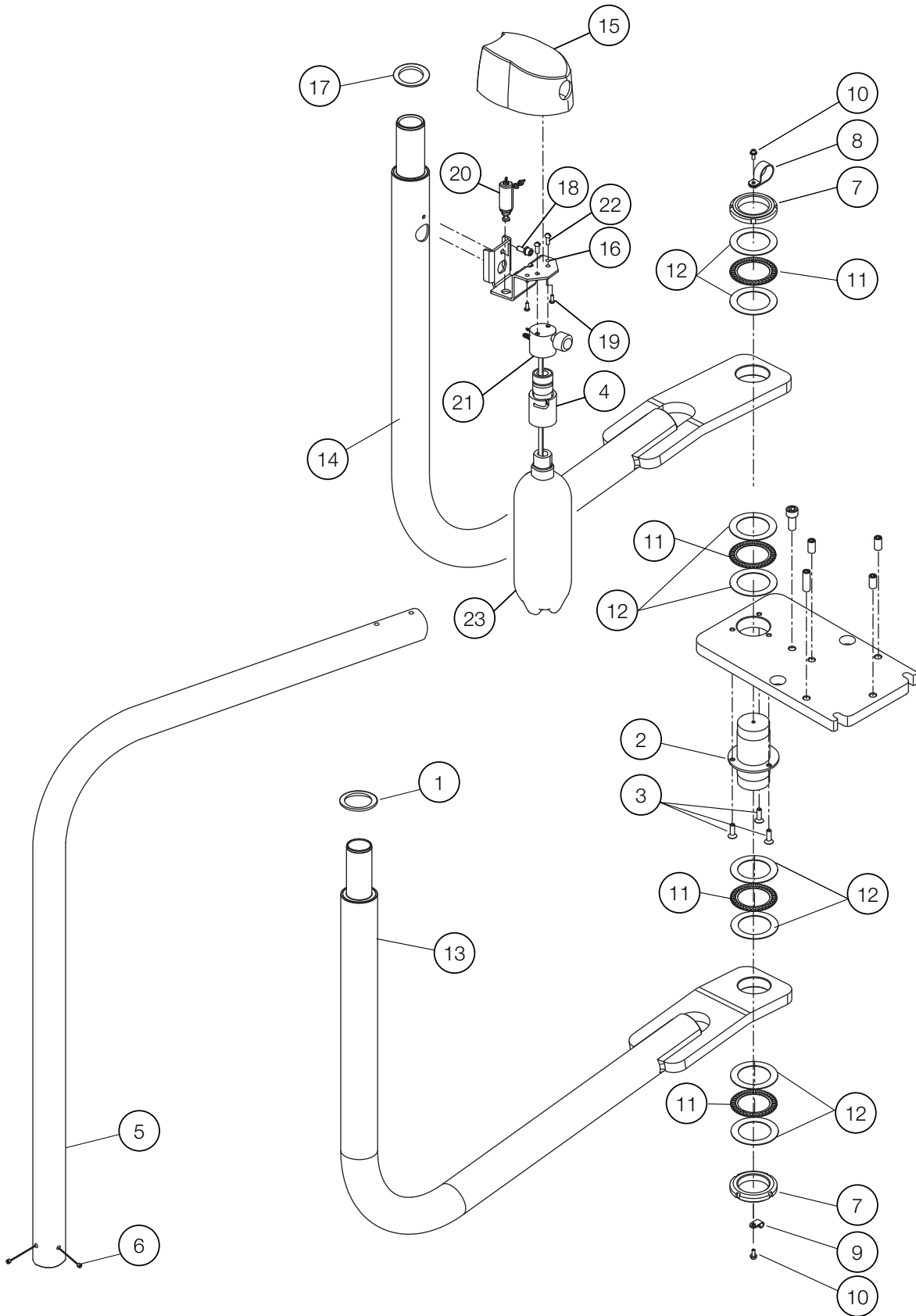
| NO. | PARTS NO. | DESCRIPTION | QTY | APPLICABLE SERIAL NO. | NOTE |
|-----|-----------|---|-----|-----------------------|------|
| 1 | AAET81A0 | SPACER FOR ARM STOPPER | 4 | | |
| 2 | AAFB95C0 | HOSE COVER | 1 | | |
| 3 | 1P048MA0 | L-SHAPED LIGHT POLE ASSEMBLY | 1 | | |
| 4 | 1A0HCPAV | LIGHT SWING ARM | 1 | | |
| 5 | 1P074JA0 | ROTATION WASHER ASSY | - | | |
| 6 | AAFT92AV | SWING ARM ROTATION WASHER | 2 | | |
| 7 | 1P04ANA0 | UPPER SHAFT ASSEMBLY | 1 | | |
| 8 | 1P04APA0 | LOWER SHAFT ASSEMBLY | 1 | | |
| 9 | AAFU03A0 | COVER FOR ARMLESS UNIT | 1 | | |
| 10 | AAFU04B0 | LIGHT POLE ROTATION WASHER | 1 | VG16E0021 | |
| 11 | AAFU05A0 | ROTATION STOPPER | 1 | | |
| 12 | AFFS40A0 | THRUST WASHER (AS-1110) | 4 | | |
| 13 | AFFS41A0 | THRUST BEARING (AXK-1110) | 2 | | |
| 14 | DAMS68AA | RUBBER RING FOR ARM STOPPER | 4 | | |
| 15 | FAAA30A0 | BRAKE SHOE | 1 | | |
| 16 | ZSA11TZU | BUTTON CAP SCREW M16X30 SUS | 2 | | |
| 17 | ZB562TAU | FLAT WASHER 16X32X2 SUS | 2 | | |
| 18 | ZSA01Q1U | FLAT HEAD SOCKET CAP SCREW M10X35 SUS | 1 | | |
| 19 | ZA761PSG | HEX SOCKET BOLT M8X12 BLACK | 4 | | |
| 20 | ZA774QWU | CAP POINT SET SCREW M10X20 SUS | 4 | | |
| 21 | ZA761Q2G | HEX SOCKET HEAD SCREW M10X40 BLACK | 4 | | |
| 22 | ZA887NUU | PAN HEAD SEMS SCREW 2P M5X16 SUS | 4 | | |
| 23 | ZA762P3G | CAP SCREW M8X45 (FULLY THREADED) BLACK | 4 | | |
| 24 | ZA774OLU | HEX SOCKET SET SCREW (CUP POINT) M6X5 SUS | 3 | | |
| 25 | 1A0H3KAV | BRACKET FOR DENTAL LIGHT PCB | 1 | | |
| 26 | ZA114LNU | TRUSS M4X6 SUS | 4 | | |
| 27 | ZB511QAY | SPRING WASHER M10 CHROME | 4 | | |

4-4. MONITOR SWING ARM (AU-HV3390MS)



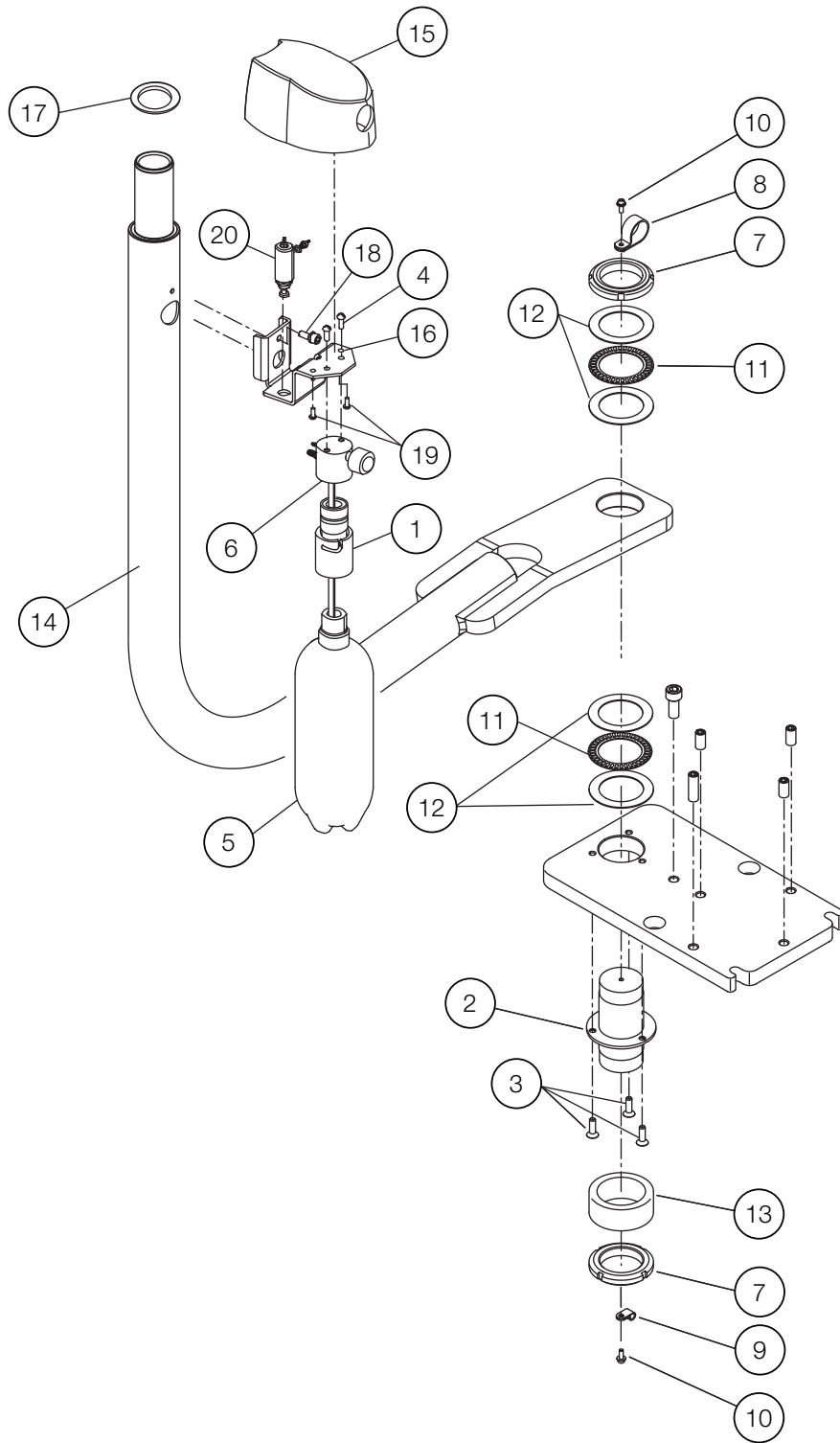
| NO. | PARTS NO. | DESCRIPTION | QTY | APPLICABLE SERIAL NO. | NOTE |
|-----|-----------|---|-----|-----------------------|------|
| 1 | AAET81A0 | SPACER FOR ARM STOPPER | 4 | | |
| 2 | AAFB95C0 | HOSE COVER | 1 | | |
| 3 | 1A0HHFAV | MONITOR SWING ARM (EVOGUE) | 1 | | |
| 4 | 1P074JA0 | ROTATION WASHER ASSY | - | | |
| 5 | AAFT92AV | SWING ARM ROTATION WASHER | 2 | | |
| 6 | 1P04ANA0 | UPPER SHAFT ASSEMBLY | 1 | | |
| 7 | 1P04APA0 | LOWER SHAFT ASSEMBLY | 1 | | |
| 8 | AAFU03A0 | COVER FOR ARMLESS UNIT | 1 | | |
| 9 | AFFS40A0 | THRUST WASHER (AS-1110) | 4 | | |
| 10 | AFFS41A0 | THRUST BEARING (AXK-1111) | 2 | | |
| 11 | DAMS68AA | RUBBER RING FOR ARM STOPPER | 4 | | |
| 12 | FAAA30A0 | BRAKE SHOE | 1 | | |
| 13 | ZSA11TZU | BUTTON CAP SCREW M16X30 SUS | 2 | | |
| 14 | ZB562TAU | FLAT WASHER 16X32X2 SUS | 2 | | |
| 15 | ZSA01Q1U | FLAT HEAD SOCKET CAP SCREW M10X35 SUS | 1 | | |
| 16 | ZA761PSG | HEX SOCKET BOLT M8X12 BLACK | 4 | | |
| 17 | ZA774QWU | CAP POINT SET SCREW M10X20 SUS | 4 | | |
| 18 | ZA761Q2G | HEX SOCKET HEAD SCREW M10X40 BLACK | 4 | | |
| 19 | ZA887NUU | PAN HEAD SEMS SCREW 2P M5X16 SUS | 4 | | |
| 20 | ZA762P3G | CAP SCREW M8X45 (FULLY THREADED) BLACK | 4 | | |
| 21 | ZA774OLU | HEX SOCKET SET SCREW (CUP POINT) M6X5 SUS | 1 | | |
| 22 | ZB511QAY | SPRING WASHER M10 CHROME | 4 | | |

5-1. DR. SWING ARM & LIGHT SWING ARM ASSY (AU-HV3270SX)



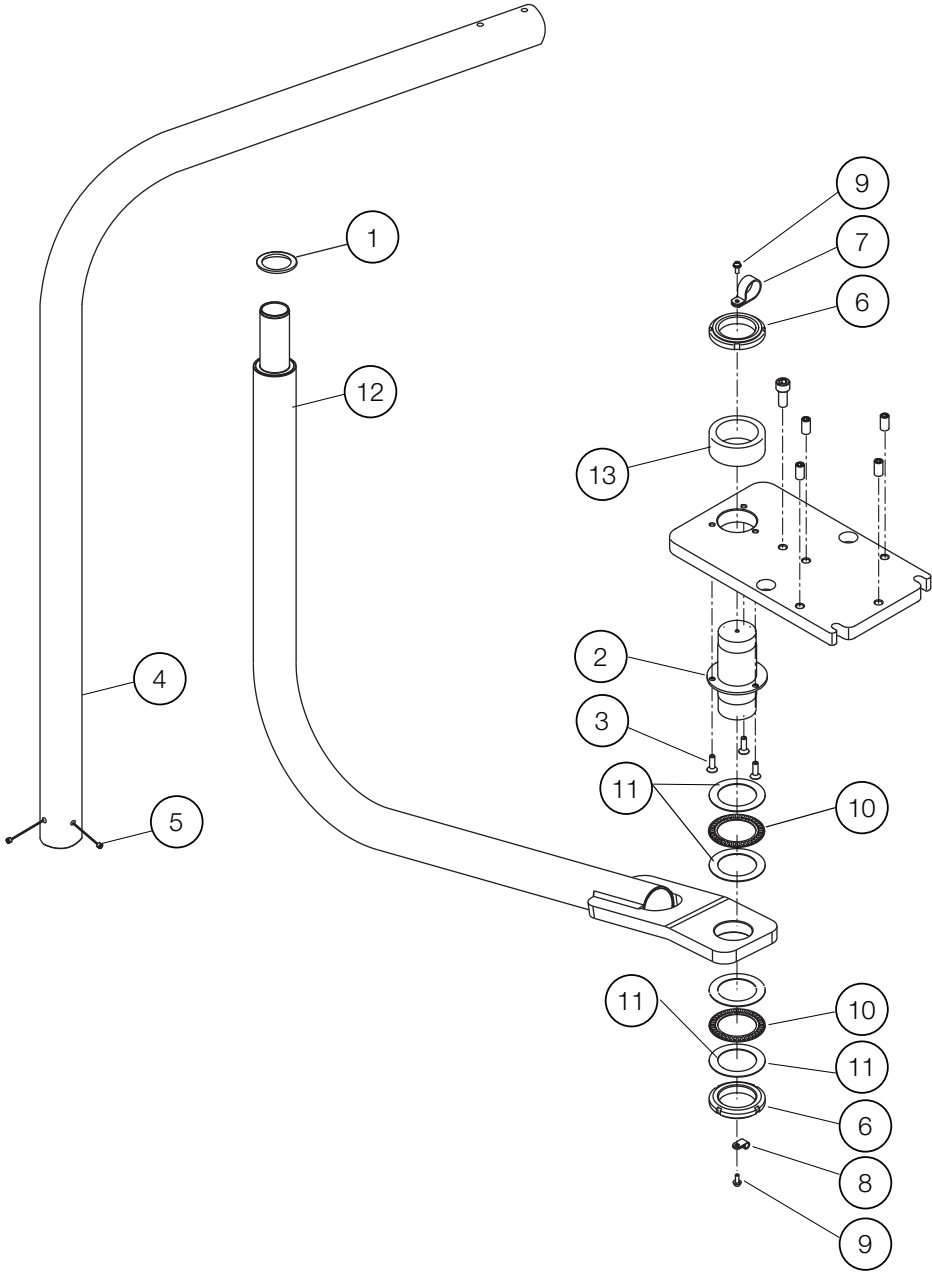
| NO. | PARTS NO. | DESCRIPTION | QTY | APPLICABLE SERIAL NO. | NOTE |
|-----|-----------|--|-----|-----------------------|----------------------|
| 1 | AAFU04B0 | LIGHT POLE ROTATION WASHER | 1 | VG16E0021 | |
| 2 | FATA89B0 | ROTATION SHAFT | 1 | | |
| 3 | ZSA01OWU | FLAT HEAD HEX SOCKET BOLT M6X20 | 3 | | |
| 4 | AFFV15A0 | QUICK COUPLER KIT | 1 | - | USA P-N: D8941 |
| 5 | 1P048MA0 | L-SHAPED LIGHT POLE ASSEMBLY | 1 | | |
| 6 | ZA774OLU | HEX SOCKET SET SCREW (CUP POINT) M6X5 SUS | 2 | | |
| 7 | FJTA26A0 | FINE U-NUT (FU09SS) | 2 | | |
| 8 | FJRA53A0 | NYLON CLAMP SL-14N | 1 | | |
| 9 | FJMA68A0 | NYLON CLAMP (3304) | 1 | | |
| 10 | ZA88JLRU | PAN HEAD SCREW M4X10 SUS | 2 | | |
| 11 | FJNA55A0 | NEEDLE BEARING | 4 | | |
| 12 | FJNA56A0 | THRUST WASHER (AS1109) | 8 | | |
| 13 | 1A0GV8AV | SWING MOUNT ARM ASSEMBLY FOR LIGHT | 1 | VG18K0020 | |
| 14 | 1A0GV9AV | DOCTOR SWING ARM FOR BEL-50 | 1 | VG18K0012 | |
| 15 | AAFF06C0 | WATER BOTTLE COVER | 1 | | |
| 16 | AAFK86A0 | BRACKET FOR WATER BOTTLE (SA) | 1 | | |
| 17 | AAFT81B0 | WASHER FOR ROTATION SHAFT | 1 | VG16F0001 | |
| 18 | ZA761O#U | HEX SOCKET BOLT M6X15 SUS | 1 | | |
| 19 | FJHA34A0 | PAN HEAD SCREW M4X16 CHROME | 2 | | |
| 20 | 1P04ALA0 | MINI-AIR REGULATOR W/ BARB AND WASHER | 1 | | |
| 21 | AFFS17A0 | WATER BOTTLE HEAD W/ PRESSURE 1/8" NPTF GAUGE PORT | 1 | | USA P-N: RC18041DBEL |
| 22 | AFFS19A0 | 10-32 1/2 SCREW SUS | 2 | | USA P-N: RF-2010 |
| 23 | AFFS21B0 | WATER BOTTLE 2L | 1 | - | USA P-N: D8164 |

5-2. DR. SWING ARM (AU-HV3275SX)



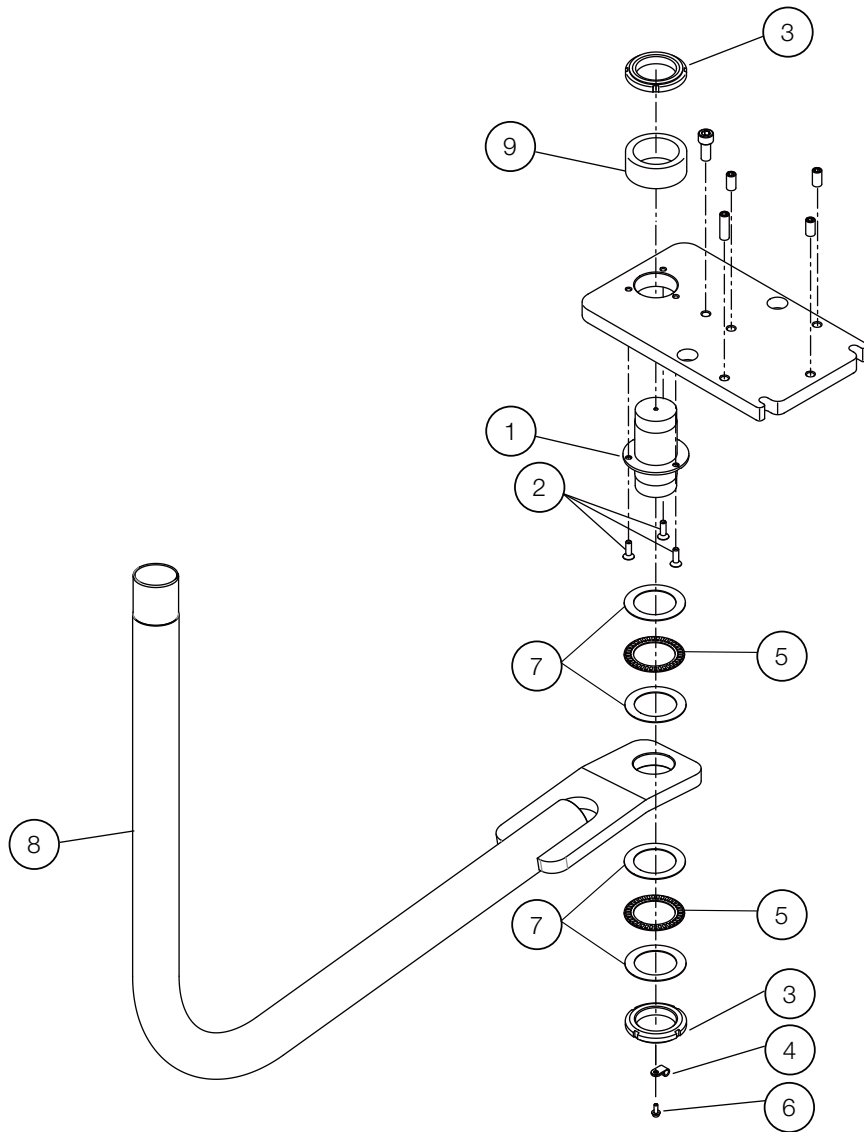
| NO. | PARTS NO. | DESCRIPTION | QTY | APPLICABLE SERIAL NO. | NOTE |
|-----|-----------|--|-----|-----------------------|-------------------------|
| 1 | AFFV15A0 | QUICK COUPLER KIT | 1 | - | USA P-N: D8941 |
| 2 | FATA89B0 | ROTATION SHAFT | 1 | | |
| 3 | ZSA01OWU | FLAT HEAD HEX SOCKET BOLT M6X 20 | 3 | | |
| 4 | AFFS19A0 | 10-32 1/2 SCREW SUS | 2 | | USA P-N: RF-2010 |
| 5 | AFFS21B0 | WATER BOTTLE 2L | 1 | - | USA P-N: D8164 |
| 6 | AFFS17A0 | WATER BOTTLE HEAD W/ PRESSURE 1/8" NPTF GAUGE PORT | 1 | | USA P-N: RC18041DBEL |
| 7 | FJTA26A0 | FINE U-NUT (FU09SS) | 2 | | |
| 8 | FJRA53A0 | NYLON CLAMP SL-14N | 1 | | |
| 9 | FJMA68A0 | NYLON CLAMP (3304) | 1 | | |
| 10 | ZA88JLRU | PAN HEAD SCREW M4X10 SUS | 2 | | |
| 11 | FJNA55A0 | NEEDLE BEARING | 2 | | |
| 12 | FJNA56A0 | THRUST WASHER (AS1109) | 4 | | |
| 13 | FATB13BV | SPACER FOR ROTATION POLE | 1 | | |
| 14 | 1A0GV9AV | DOCTOR SWING ARM FOR BEL-50 | 1 | VG18K0012 | |
| 15 | AAFF06C0 | WATER BOTTLE COVER | 1 | | |
| 16 | AAFK86A0 | BRACKET FOR WATER BOTTLE (SA) | 1 | | |
| 17 | AAFT81B0 | WASHER FOR ROTATION SHAFT | 1 | VG16F0001 | |
| 18 | ZA761O#U | HEX SOCKET BOLT M6X15 SUS | 1 | | |
| 19 | FJHA34A0 | PAN HEAD SCREW M4X16 CHROME | 2 | | |
| 20 | 1P04ALA0 | MINI-AIR REGULATOR W/ BARB AND WASHER | 1 | | |

5-3. LIGHT SWING ARM (AU-HV3230SX)

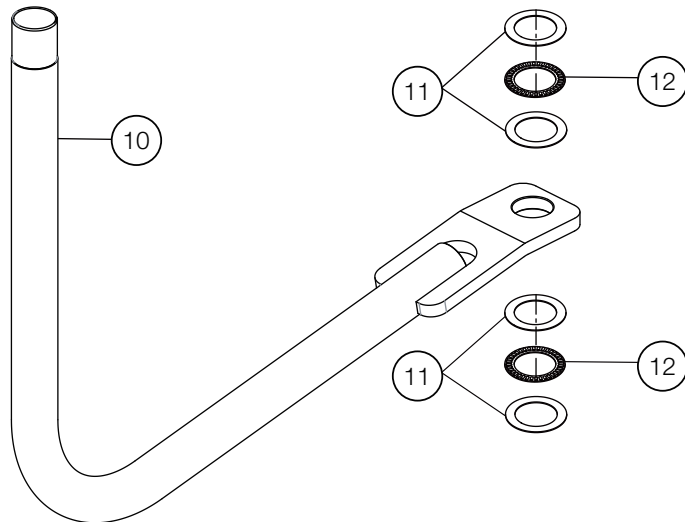


| NO. | PARTS NO. | DESCRIPTION | QTY | APPLICABLE SERIAL NO. | NOTE |
|-----|-----------|---|-----|-----------------------|------|
| 1 | AAFU04B0 | LIGHT POLE ROTATION WASHER | 1 | VG16E0021 | |
| 2 | FATA89B0 | ROTATION SHAFT | 1 | | |
| 3 | ZSA01OWU | FLAT HEAD HEX SOCKET BOLT M6X20 | 3 | | |
| 4 | 1P048MA0 | L-SHAPED LIGHT POLE ASSEMBLY | 1 | | |
| 5 | ZA774OLU | HEX SOCKET SET SCREW (CUP POINT) M6X5 SUS | 2 | | |
| 6 | FJTA26A0 | FINE U-NUT (FU09SS) | 2 | | |
| 7 | FJRA53A0 | NYLON CLAMP SL-14N | 1 | | |
| 8 | FJMA68A0 | NYLON CLAMP (3304) | 1 | | |
| 9 | ZA88JLRU | PAN HEAD SCREW M4X10 SUS | 2 | | |
| 10 | FJNA55A0 | NEEDLE BEARING | 2 | | |
| 11 | FJNA56A0 | THRUST WASHER (AS1109) | 4 | | |
| 12 | 1A0GV8AV | SWING MOUNT ARM ASSEMBLY FOR LIGHT | 1 | VG18K0020 | |
| 13 | FATB13BV | SPACER FOR ROTATION POLE | 1 | | |

5-4. MONITOR SWING ARM (AU-HV3290MSX)

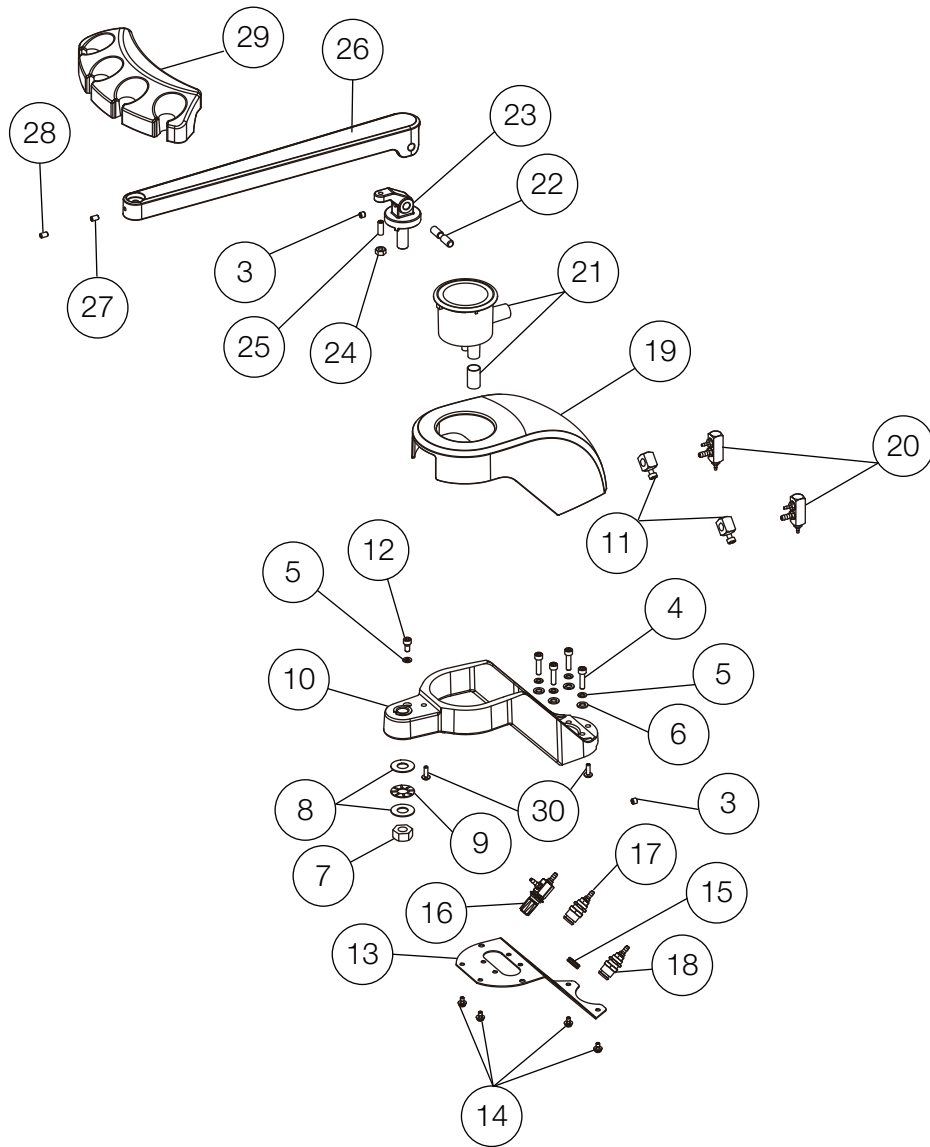


5-5. MONITOR SWING ARM W/O BRACKET (AU-HV3289MSX)



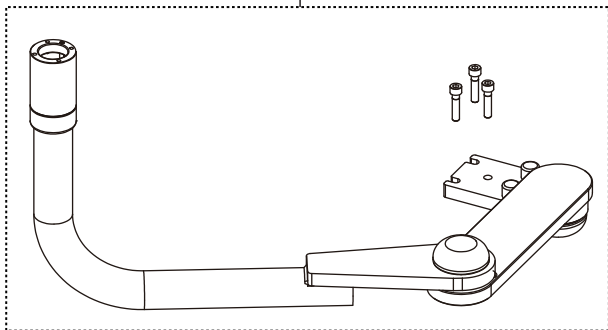
| NO. | PARTS NO. | DESCRIPTION | QTY | APPLICABLE SERIAL NO. | NOTE |
|-----|-----------|-------------------------------------|-----|-----------------------|------|
| 1 | FATA89B0 | ROTATION SHAFT | 1 | | |
| 2 | ZSA01OWU | FLAT HEAD HEX SOCKET BOLT M6X20 SUS | 3 | | |
| 3 | FJTA26A0 | FINE U-NUT (FU09SS) | 2 | | |
| 4 | FJMA28A0 | NYLON CLAMP SL-14N | 1 | | |
| 5 | FJNA55A0 | NEEDLE BEARING | 2 | | |
| 6 | ZA88JLRU | PAN HEAD SEMS SCREW 3P M4X10 SUS | 1 | | |
| 7 | FJNA56A0 | THRUST WASHER (AS1109) | 4 | | |
| 8 | 1A0GYAAV | MONITOR SWING ARM FOR BEL-50 | 1 | | |
| 9 | FATB13BV | SPACER FOR ROTATION POLE | 1 | | |
| 10 | 1A0GYAAV | MONITOR SWING ARM FOR BEL-50 | 1 | | |
| 11 | FJNA56A0 | THRUST WASHER (AS1109) | 4 | | |
| 12 | FJNA55A0 | NEEDLE BEARING | 2 | | |

6-1. VAC PACS (AU-HV3410/3400/3401W)

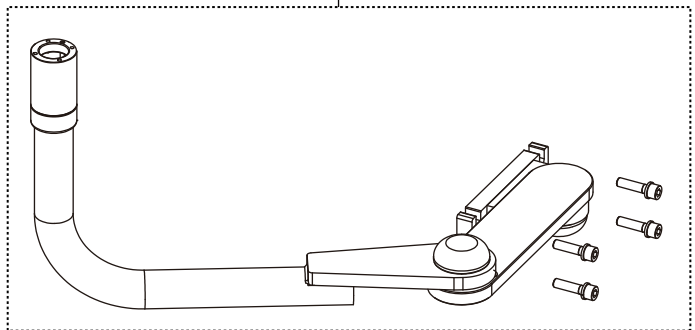


1

2



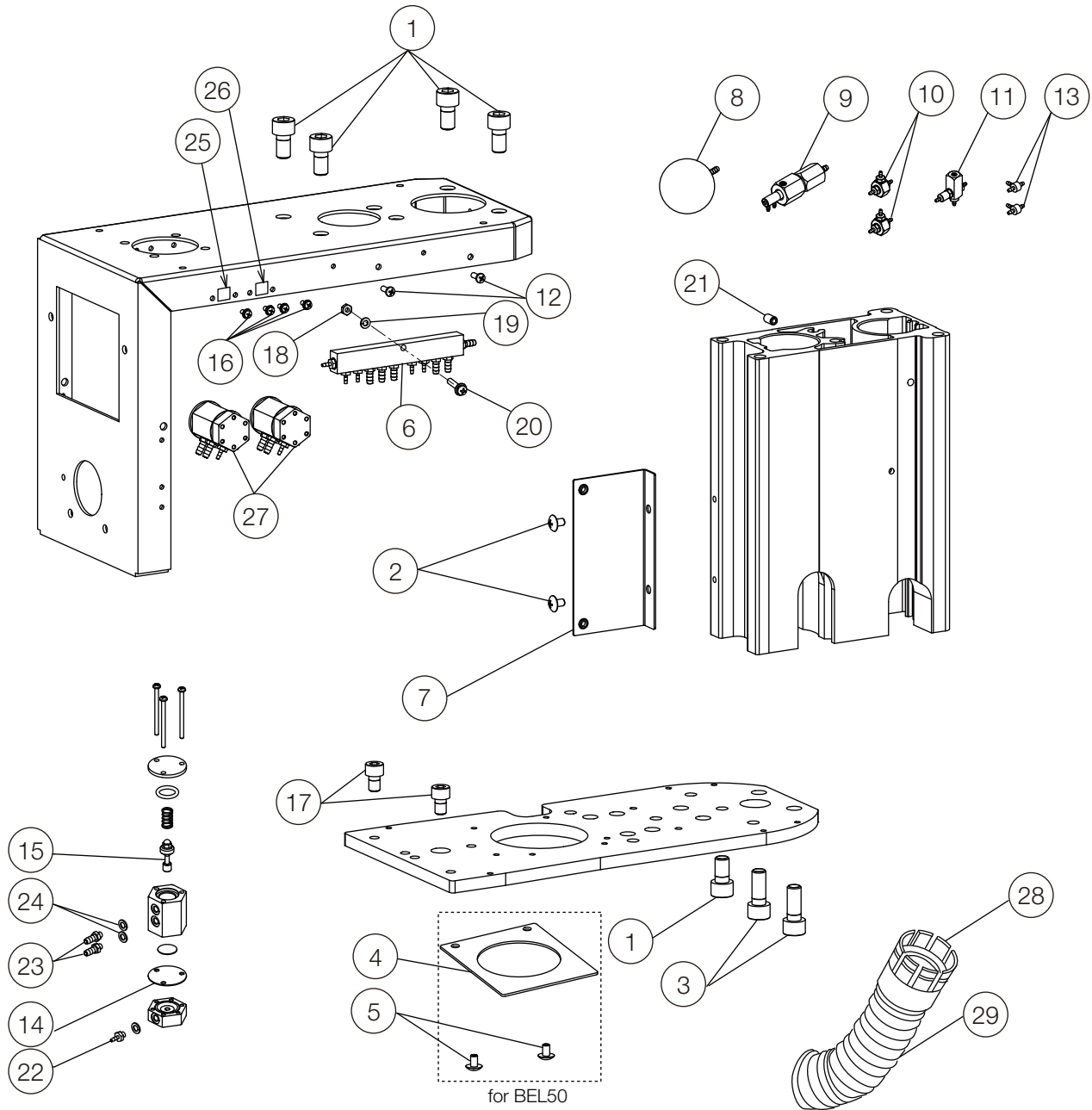
for BEL-50



for Q5000/Q5500/Q3300

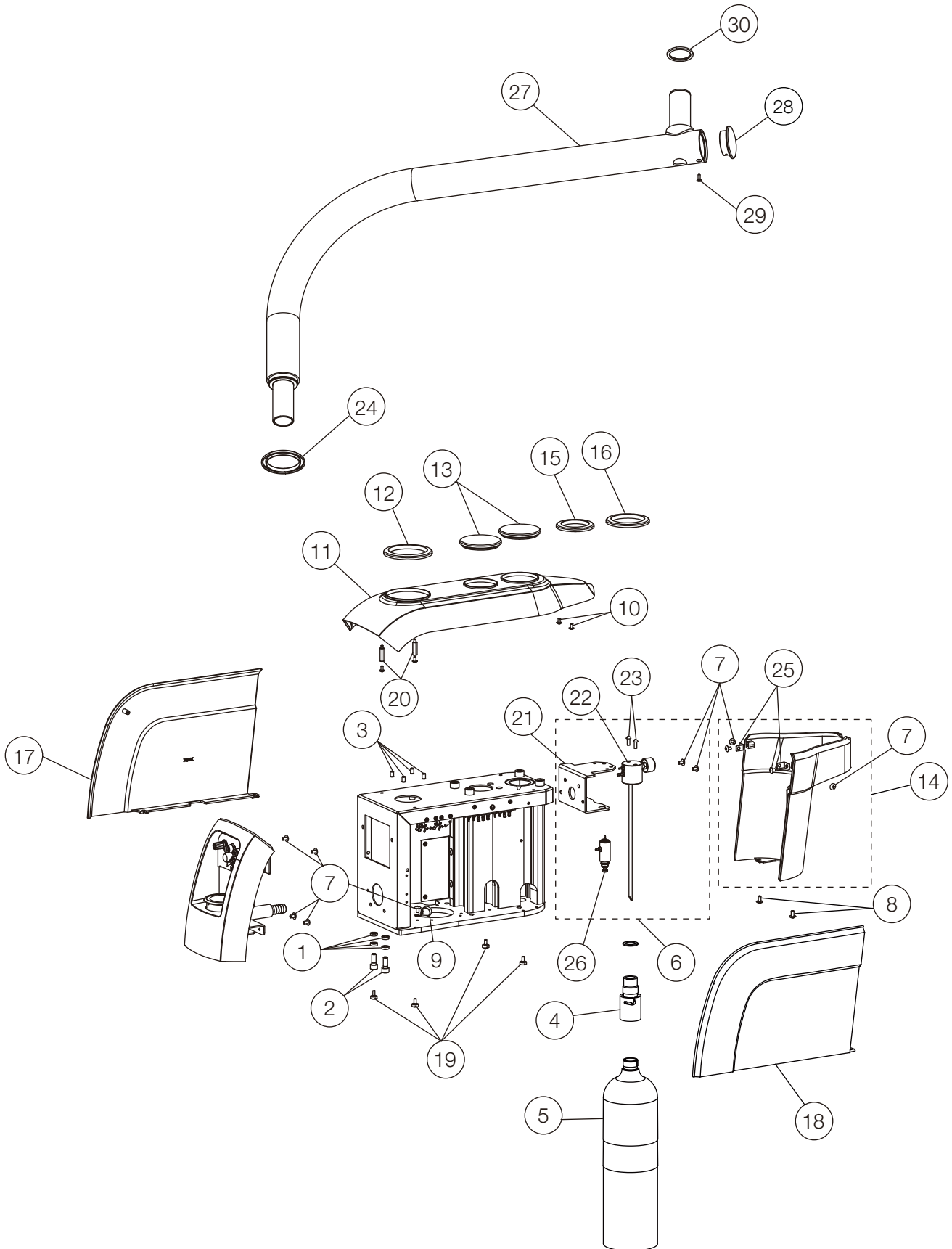
| NO. | PARTS NO. | DESCRIPTION | QTY | APPLICABLE SERIAL NO. | NOTE |
|-----|-----------|---|-------|-----------------------|-------------------|
| 1 | 1P06HDA0 | VAC PAC ARM ASSEMBLY FOR BEL-50 (CN80) | 1 | | |
| | 1P079GA0 | VAC PAC ARM ASSEMBLY FOR BEL-50 (RAL9003) | | | |
| 2 | 1P06HCA0 | VAC PAC ARM ASSEMBLY FOR Q5000/Q5500/Q3300 | 1 | | |
| 3 | ZA774OLU | HEX SOCKET SET SCREW (CUP POINT) M6X5 SUS | 2 | | |
| 4 | ZA761NYU | SOCKET HEAD SCREW M5X25 SUS | 4 | | |
| 5 | ZB511NAU | SPRING WASHER M5 SUS | 5 | | |
| 6 | ZB562NAU | WASHER M5 SUS | 4 | | |
| 7 | 1E015JA0 | U-NUT M12 (P1.25) CHROME | 1 | | |
| 8 | AERN11A0 | THRUST WASHER (AS1101) | 2 | | |
| 9 | 1E00E5A0 | THRUST BEARING (AXK1101) | 1 | | |
| 10 | 1P04B1A0 | VAC PAC BODY ASSEMBLY (CN80) | 1 | | |
| | 1P079HA0 | VAC PAC BODY ASSEMBLY (RAL9003) | | | |
| 11 | AFFS22A0 | PINCH VALVE | 2 | | USA P-N: D7022 |
| 12 | ZA761NRU | HEX SOCKET BOLT M5X10 SUS | 1 | | |
| 13 | AAFF12BV | VAC PAC BODY BOTTOM FRAME (CN80) | 1 | | |
| | 1A0XPEAV | VAC PAC BODY BOTTOM FRAME (RAL9003) | | | |
| 14 | ZA88JLPU | PAN HEAD SCREW 3P M4X8 SUS | 4 | | |
| 15 | AFFS50A0 | GROMMET (C30NG79EUL) | 1 | | |
| 16 | 1P04B2A0 | NEEDLE VALVE ASSEMBLY | 1 | | USA P-N: V1511G |
| 17 | AFFS26A0 | H2O QUICK DISCONNECT 1/4 IN BLUE | 1 | | USA P-N: P1075BLU |
| 18 | AFFS27A0 | H2O QUICK DISCONNECT 1/4 IN YELLOW | 1 | | USA P-N: P1075YEL |
| 19 | 1P0587A0 | VAC PAC COVER (CN80) | 1 | | |
| | 1P079NA0 | VAC PAC COVER (RAL9003) | | | |
| 20 | 1P04B3A0 | 1/4 - 1/4 - 1/8 MANIFOLD | 2 | | |
| 21 | AFFS25B0 | SOLID COLLECTOR (SIDE) | 1 | VS18D0005 | USA P-N: S1386 |
| 22 | 1A0GTCA0 | LIFTING SHAFT FOR VAC PAC SECOND ARM | 1 | | |
| 23 | 1A0GNDAV | ROTATING SHAFT FOR VAC PAC SECOND ARM (CN80) | 1 | | |
| | 1A0XP7AV | ROTATING SHAFT FOR VAC PAC SECOND ARM (RAL9003) | | | |
| 24 | ZA812OAU | NUT M6 SUS | 1 | | |
| 25 | ZA774OVU | CAP POINT SET SCREW M6X18 SUS | 1 | | |
| 26 | 1A0GNFAV | VAC PAC SECOND ARM (ADC) (CN80) | 1 | | |
| | 1A0XP8AV | VAC PAC SECOND ARM (ADC) (RAL9003) | | | |
| 27 | 1E02E1A0 | ROUND BELT PHI4 (ORANGE) | 0.01m | | |
| 28 | ZA774NNU | HEX SOCKET SET SCREW (CUP POINT) M5X6 SUS | 1 | | |
| 29 | FASA85D0 | ASSISTANT HOLDER | 1 | VS17D0023 | |
| 30 | ZA887LUY | PAN HEAD SCREW 2P M4X16 CHROME | 2 | | |

7-1. PMU ASSY 1



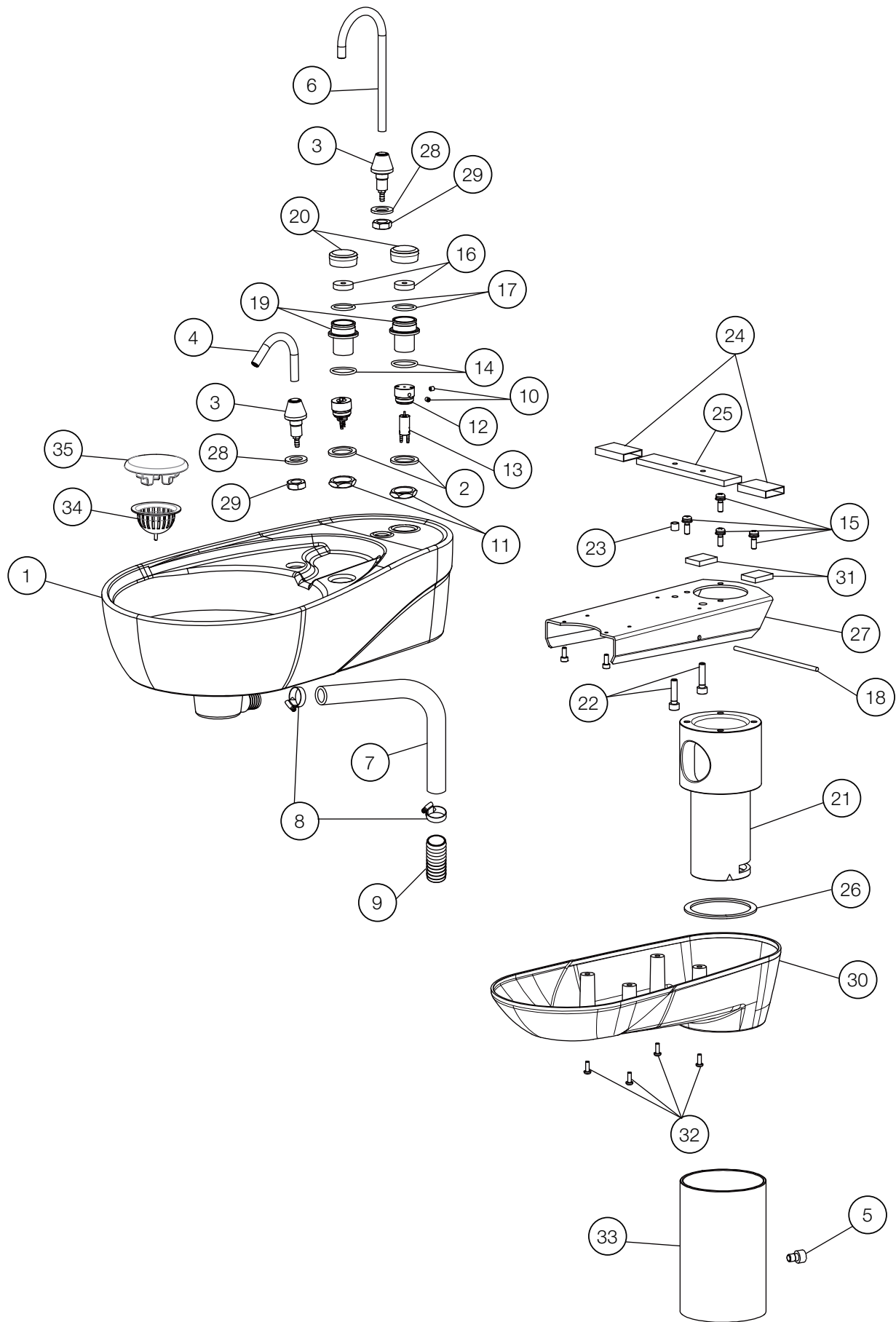
| NO. | PARTS NO. | DESCRIPTION | QTY | APPLICABLE SERIAL NO. | NOTE |
|-----|-----------|-----------------------------------|-----|-----------------------|----------------|
| 1 | ZA761QVU | HEX SOCKET BOLT M10X18 SUS | 5 | | |
| 2 | ZA114NPU | TRUSS M5X8 SUS | 2 | | |
| 3 | ZA761QYU | HEX SOCKET HEAD SCREW M10X25 SUS | 2 | | |
| 4 | 1A0H9PBV | BRACKET FOR DUCTING HOSE | 1 | - | |
| 5 | ZA114NNU | TRUSS M5X6 SUS | 2 | | |
| 6 | 1P04BZA0 | PMU MANIFOLD 1 | 1 | | |
| 7 | 1A0H9QB0 | BRACKET FOR LIGHT BOARD | 1 | | |
| 8 | FAMD80A0 | CHAMBER | 1 | | |
| 9 | 1P04MCA0 | VIBRATION ABSORBER ASSEMBLY | 1 | | |
| 10 | 1P04M9A0 | SHUTTLE VALVE ASSEMBLY | 2 | | |
| 11 | 1P04M8A0 | FLOW CONTROL VALVE ASSEMBLY | 1 | | |
| 12 | ZA111LRU | PAN HEAD SCREW M4X10 SUS | 2 | | |
| 13 | AFFW91A0 | 1/16 IN BARB TEE PLATED | 2 | | USA P-N: P1875 |
| 14 | FALI30F0 | DIAPHRAGM (OD:28) | 2 | | |
| 15 | 1P0487A0 | SPOOL ASSEMBLY | 1 | | |
| 16 | ZA88JJPU | PAN HEAD SEMS SCREW P=3 M3X8 SUS | 4 | | |
| 17 | ZA761PSU | HEX SOCKET HEAD SCREW M8X12 SUS | 2 | | |
| 18 | ZA812LAU | NUT M4 SUS | 1 | | |
| 19 | ZB511LAU | SPRING WASHER | 1 | | |
| 20 | ZA88JLWU | PAN HEAD SEMS SCREW P=3 M4X20 SUS | 1 | | |
| 21 | ZA774ORU | SET SCREW M6X10 SUS | 1 | | |
| 22 | AFFS04A0 | 1/16 INX10-32 BARB (PLATED) | 1 | | USA P-N: P1052 |
| 23 | AFFS05A0 | 1/8 INX10-32 BARB (PLATED) | 2 | | USA P-N: P1053 |
| 24 | AFFU48A0 | WASHER 10-32 (SEAL) | 3 | | USA P-N: P1055 |
| 25 | FALC86A0 | LABEL FOR BOWL FLUSH | 1 | | |
| 26 | FALC85A0 | LABEL FOR CUPFILLER | 1 | | |
| 27 | 1P04MAA0 | SMALL MASTER VALVE ASSEMBLY | 2 | | |
| 28 | FGNA30A0 | UMBILICAL HOSE CLAMP | 1 | | |
| 29 | X-41350 | UMBILICAL HOSE Ø50MM | 1 | | |

7-2. PMU ASSY 2



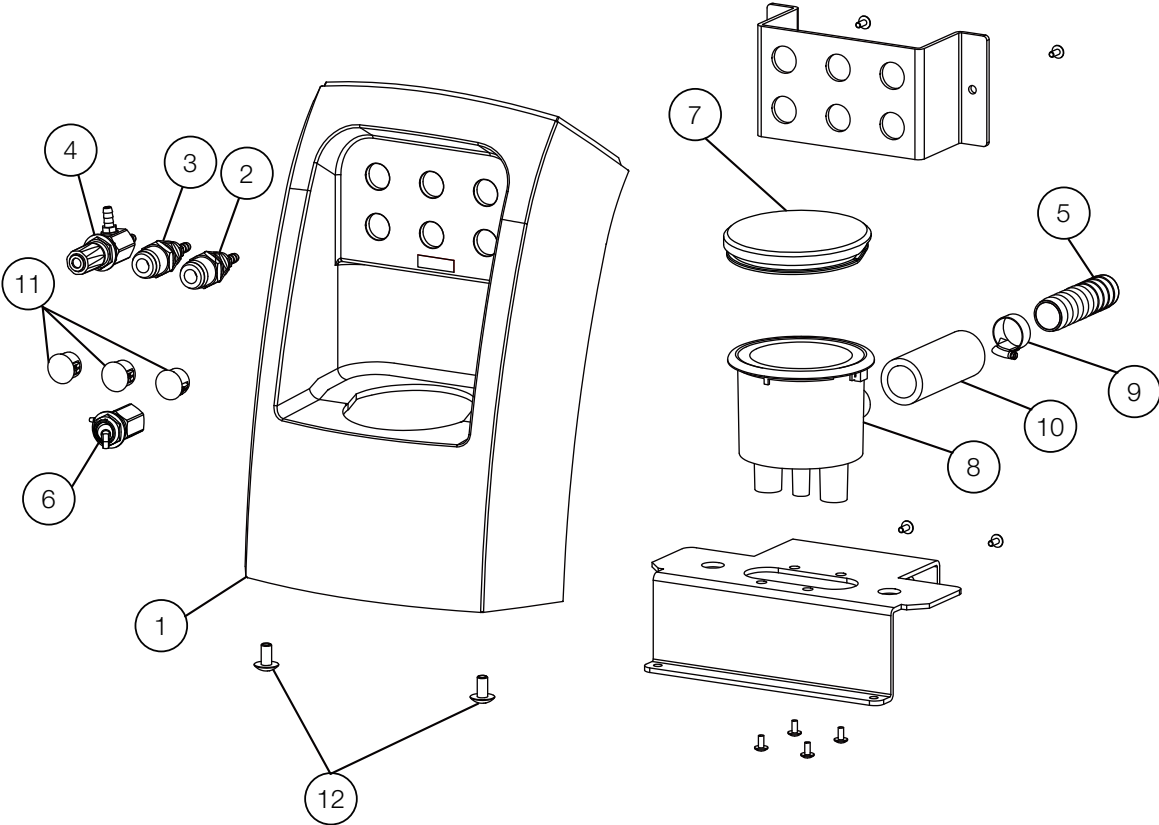
| NO. | PARTS NO. | DESCRIPTION | QTY | APPLICABLE SERIAL NO. | NOTE |
|-----|-----------|--|-----|-----------------------|----------------------|
| 1 | AAET81A0 | SPACER FOR ARM STOPPER | 4 | | |
| 2 | ZA761PWU | HEX SOCKET HEAD SCREW M8X20 SUS | 2 | | |
| 3 | ZA761OSU | CAP BOLT M6X12 SUS | 4 | | |
| 4 | AFFV15A0 | QUICK COUPLER KIT | 1 | - | USA P-N: D8941 |
| 5 | AFFS21B0 | WATER BOTTLE 2L | 1 | - | USA P-N: D8164 |
| 6 | 1P04MDA0 | WATER BOTTLE FIXING BRACKET ASSEMBLY | 1 | | |
| 7 | ZA114NPU | TRUSS M5X8 SUS | 9 | | |
| 8 | ZA114NRU | TRUSS M5X10 SUS | 2 | | |
| 9 | Q-31130 | NYLON CLAMP (3330 5/8) | 1 | | |
| 10 | ZA114LPU | TRUSS M4X8 SUS | 4 | | |
| 11 | 1A0H9SA0 | PMU TOP COVER | 1 | | |
| 12 | 1A0HAF A0 | PMU CAP 3 | 1 | | |
| 13 | 1A0HAGA0 | PMU CAP 4 | 2 | | |
| 14 | 1P04MGA0 | REAR COVER ASSEMBLY | 1 | | |
| 15 | 1A0HAD A0 | PMU CAP 1 | 1 | | |
| 16 | 1A0HAEA0 | PMU CAP 2 | 1 | | |
| 17 | 1A0H9TA0 | PMU RIGHT COVER | 1 | | |
| 18 | 1A0H9UA0 | PMU LEFT COVER | 1 | | |
| 19 | AEFY91A0 | STRAIGHT SLOT KNURLED HEAD SCREW M5X10 | 4 | | |
| 20 | 1A0GVEA0 | M4 SPACER 24MM | 2 | | |
| 21 | 1A0H9LAV | BRACKET FOR WATER BOTTLE | 1 | | |
| 22 | AFFS17A0 | WATER BOTTLE HEAD W/ PRESSURE 1/8" NPTF GAUGE PORT | 1 | | USA P-N: RC18041DBEL |
| 23 | AFFS19A0 | 10-32 1/2 SCREW SUS | 2 | | USA P-N: RF-2010 |
| 24 | 1A0HAEA0 | PMU CAP 2 | 1 | | |
| 25 | 1A0HASB0 | BRACKET FOR SIDE COVER | 2 | | |
| 26 | 1P04ALA0 | MINI-AIR REGULATOR W/ BARB AND WASHER | 1 | | |
| 27 | 1A0HB6AV | FIRST ARM | 1 | | |
| 28 | 1A0HB7AV | ARM END CAP | 1 | | |
| 29 | ZA112LSU | FLAT HEAD SCREW M4X12 SUS | 1 | | |
| 30 | AAFT81B0 | WASHER FOR ROTATION SHAFT | 1 | VG16F0001 | |

7-3. PMU BOWL ASSY.



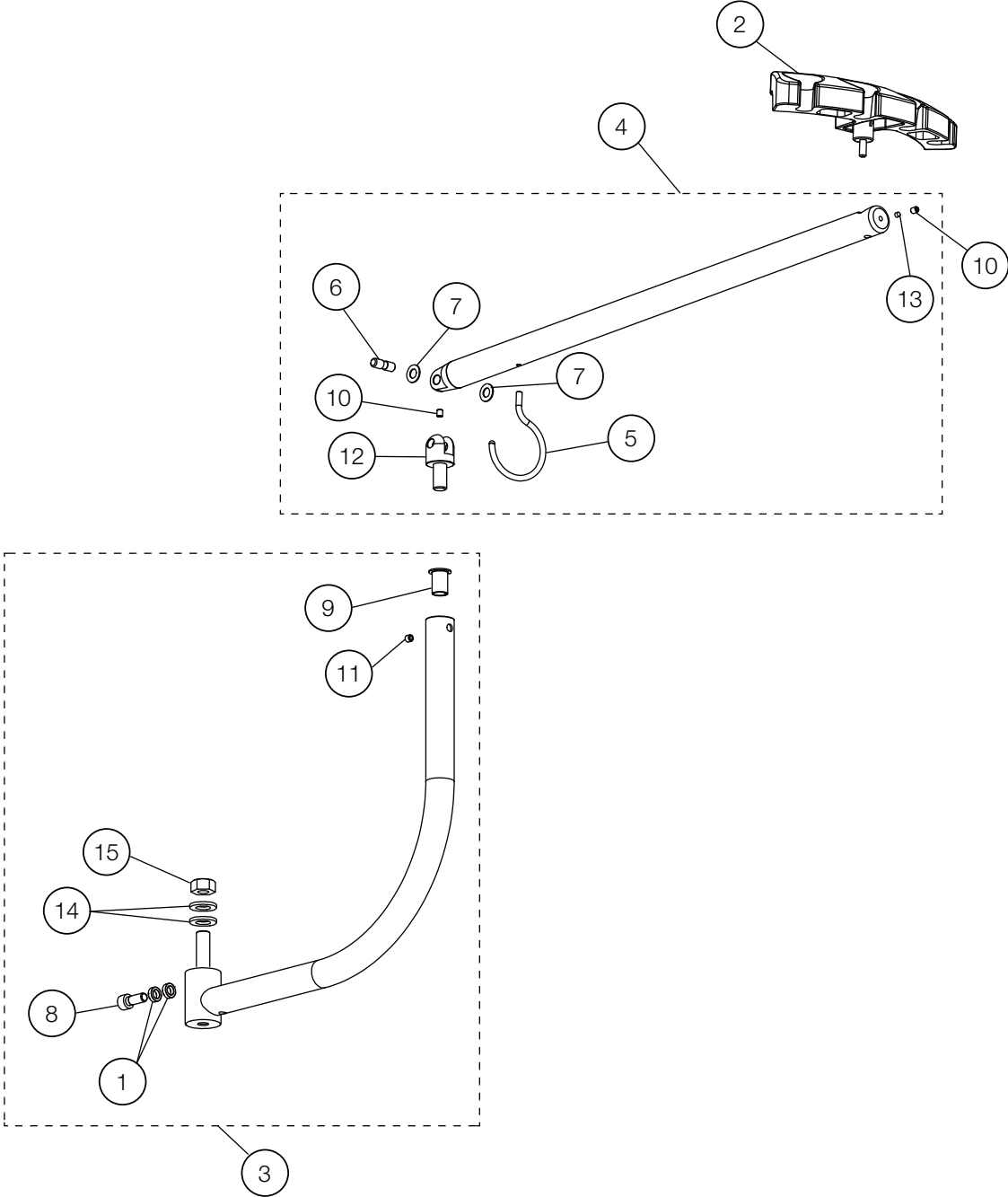
| NO. | PARTS NO. | DESCRIPTION | QTY | APPLICABLE SERIAL NO. | NOTE |
|-----|-----------|--|-------|-----------------------|------|
| 1 | 1P04C4A0 | BOWL ASSEMBLY | 1 | | |
| 2 | 1A0J7KA0 | WASHER 28X20.2X2.3 | 2 | | |
| 3 | 1P04C2A0 | NOZZLE BASE ASSEMBLY | 2 | | |
| 4 | 1A03WCA0 | BOWL FLUSH NOZZLE | 1 | | |
| 5 | ZA761OPU | CAP SCREW M6X8 SUS | 1 | | |
| 6 | 1A03WGA0 | CUPFILLER NOZZLE | 1 | | |
| 7 | DETR03B0 | DRAIN HOSE GRAY (ID:19) | 0.4m | - | |
| 8 | FJDA06A0 | ABA BAND (ID:15-24) | 2 | | |
| 9 | 1A0HHMA0 | DRAIN CONNECTOR | 1 | | |
| 10 | ZA774LJU | HEX SOCKET SET SCREW(CUP POINT) M4X4 SUS | 2 | | |
| 11 | DAOR93B0 | VACUUM SOCKET NUT | 2 | | |
| 12 | 1A0HA3A0 | VALVE BASE | 2 | | |
| 13 | 1P04C3A0 | PILOT VALVE CUP | 2 | | |
| 14 | F-10210 | O-RING P-22 | 2 | | |
| 15 | ZA88JN#U | PAN HEAD SEMS SCREW P=3 M5X15 SUS | 4 | | |
| 16 | 1A03X2A0 | SWITCH CUSHION | 2 | | |
| 17 | AEER02A0 | O-RING 1.9X19.8X23.6 | 2 | | |
| 18 | 1A040TA0 | DRAIN SUPPORT BAR | 1 | | |
| 19 | 1A0HA4A0 | SWITCH BASE | 2 | | |
| 20 | 1A0HA2A0 | SWITCH | 2 | | |
| 21 | FATA24B0 | BOWL ROTATION SHAFT | 1 | | |
| 22 | ZA761OYU | CAP BOLT M6X25 SUS | 2 | | |
| 23 | AEFS09A0 | C-SHAPED SPACER 6X7L | 1 | | |
| 24 | DENR15A0 | VINYL TUBE BLACK 20X21 | 0.12m | | |
| 25 | 1A0HHKA0 | BOWL FIXING PLATE | 1 | | |
| 26 | FACA39A0 | ROTATION WASHER | 1 | | |
| 27 | 1A0HHLA0 | BRACKET FOR BOWL | 1 | | |
| 28 | ZB561RAY | WASHER 12X22X2.3 CHROME | 2 | | |
| 29 | 1A03WAA0 | NOZZLE BASE NUT | 2 | | |
| 30 | 1A03XBB0 | BOWL BOTTOM COVER | 1 | | |
| 31 | 1E01JSA0 | NORSEAL V716 | 0.05m | | |
| 32 | ZA111LRU | PAN HEAD SCREW M4X10 SUS | 4 | | |
| 33 | 1P04MFA0 | BOWL POST ASSEMBLY | 1 | | |
| 34 | 1A025DB0 | DRAIN STRAINER | 1 | | |
| 35 | FALC62B0 | DRAIN CAP | 1 | | |

7-4. FRONT COVER



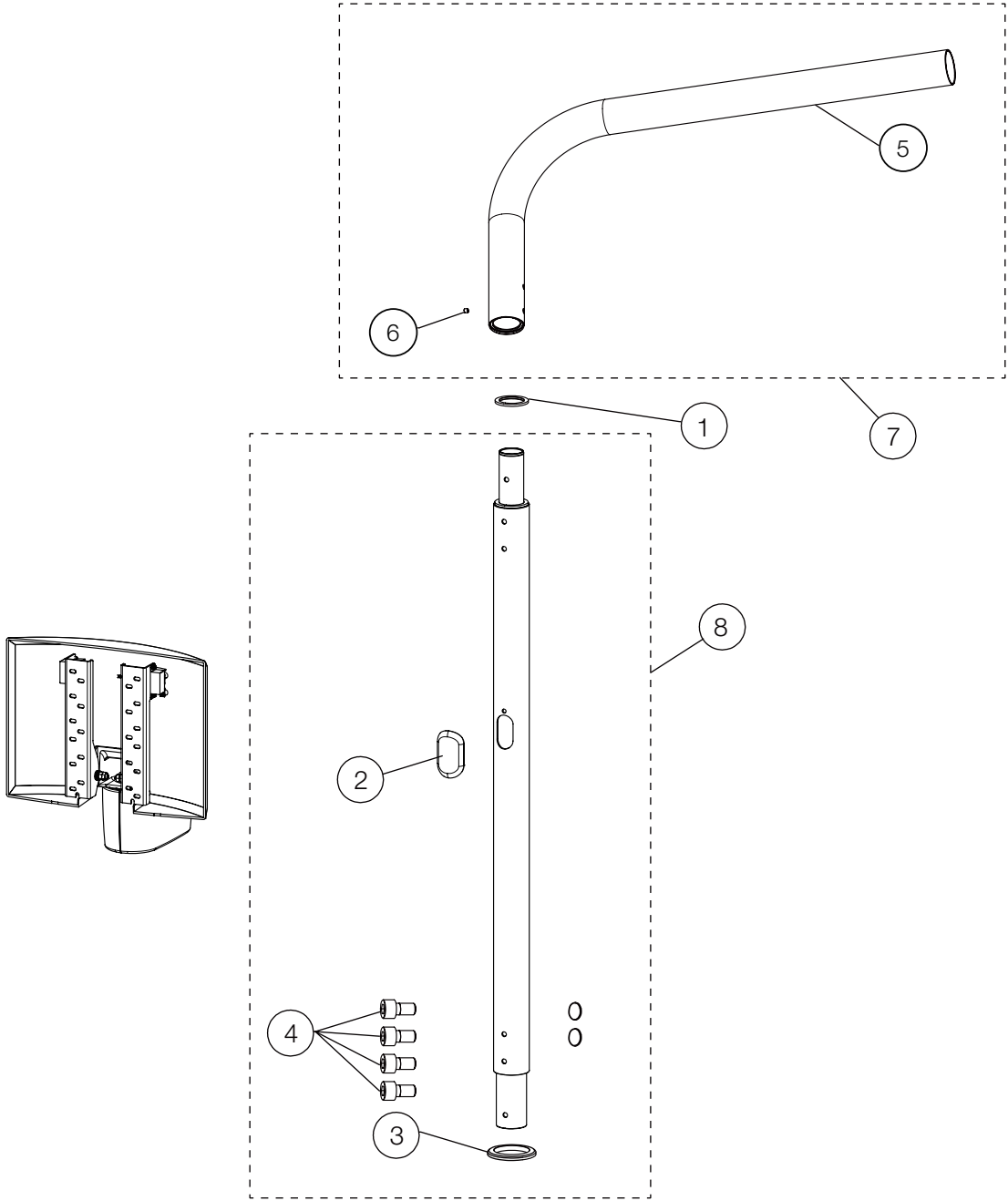
| NO. | PARTS NO. | DESCRIPTION | QTY | APPLICABLE SERIAL NO. | NOTE |
|-----|-----------|------------------------------------|-------|-----------------------|-------------------|
| 1 | 1P04CJA0 | PMU FRONT COVER W/LABEL | 1 | | |
| 2 | AFFS26A0 | H2O QUICK DISCONNECT 1/4 IN BLUE | 1 | | USA P-N: P1075BLU |
| 3 | AFFS27A0 | H2O QUICK DISCONNECT 1/4 IN YELLOW | 1 | | USA P-N: P1075YEL |
| 4 | 1P04B2A0 | NEEDLE VALVE ASSEMBLY | 1 | | USA P-N: V1511G |
| 5 | AFFS39A0 | VACUUM HOSE 5/8 SPIROLOCK | 0.06m | | USA P-N: T1746 |
| 6 | 1P06GNA0 | MOMENTARY TOGGLE VALVE ASSEMBLY | 1 | | |
| 7 | 1A0HAJA0 | PMU CAP FRONT | 1 | | |
| 8 | AFFS25B0 | SOLID COLLECTOR (SIDE) | 1 | VS18D0005 | USA P-N: S1386 |
| 9 | FJDA06A0 | ABA BAND (ID:15-24) | 1 | | |
| 10 | AADR14A0 | VACUUM HOSE JOINT | 1 | | |
| 11 | FEOA24A0 | HOLE PLUG DP-500W | 3 | | |
| 12 | ZA114NPU | TRUSS M5X8 SUS | 2 | | |

7-5. PMU ASSISTANT



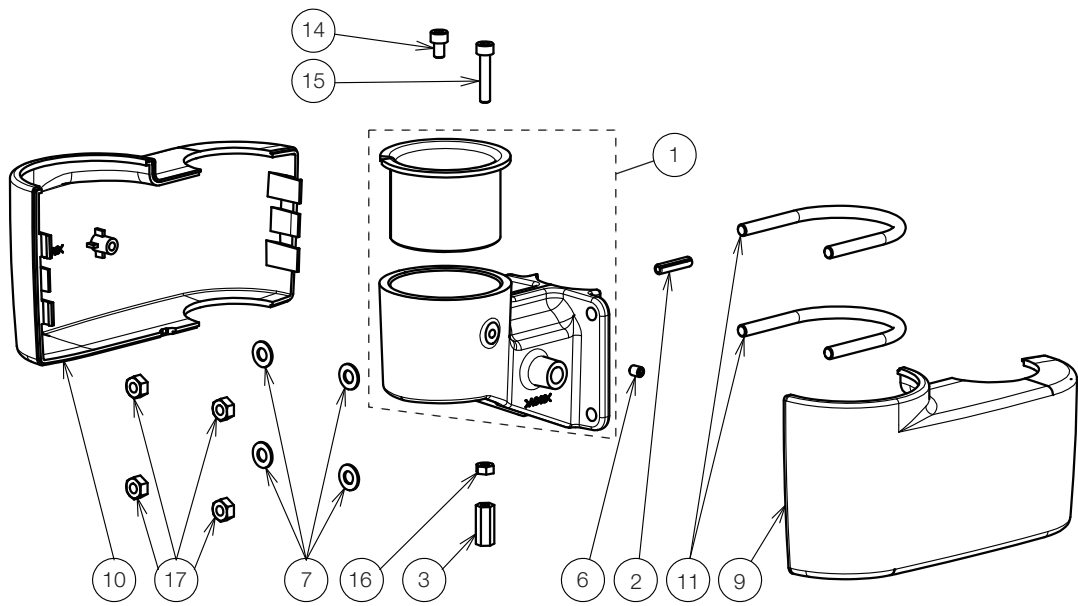
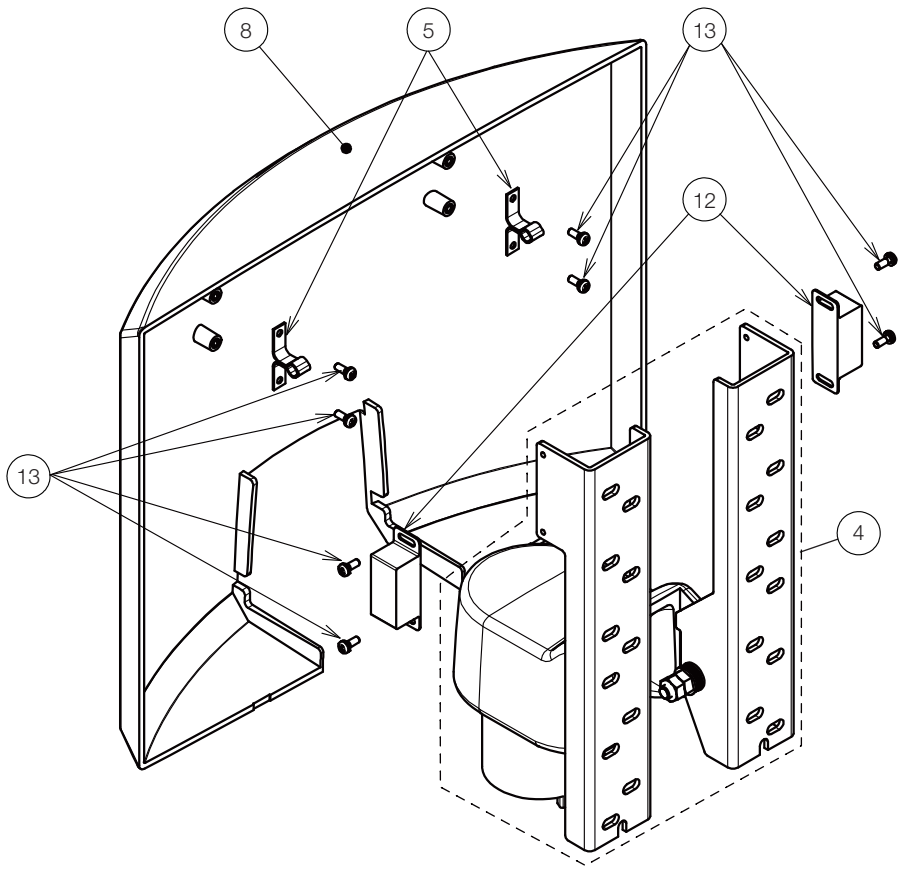
| NO. | PARTS NO. | DESCRIPTION | QTY | APPLICABLE SERIAL NO. | NOTE |
|-----|-----------|---|-------|-----------------------|------|
| 1 | AAET81A0 | SPACER FOR ARM STOPPER | 2 | | |
| 2 | FASA85D0 | ASSISTANT HOLDER | 1 | | |
| 3 | 1P04C0A0 | ASSISTANT FIRST ARM ASSEMBLY | 1 | | |
| 4 | 1P04C1A0 | ASSISTANT SECOND ARM ASSEMBLY | 1 | | |
| 5 | 1A0HHBA0 | HOSE HOOK | 1 | | |
| 6 | FACA48A0 | ASSISTANT ARM PIN | 1 | | |
| 7 | FJCA12A0 | NYLON WASHER 8X16X1 | 2 | | |
| 8 | ZA761PWU | HEX SOCKET HEAD SCREW M8X20 SUS | 1 | | |
| 9 | FJCA10B0 | BUSH K5F1220-20 | 1 | | |
| 10 | ZA774NNU | HEX SOCKET SET SCREW (CUP POINT) M5X6 SUS | 2 | | |
| 11 | ZA774OLU | HEX SOCKET SET SCREW (CUP POINT) M6X5 SUS | 1 | | |
| 12 | 1A0JK4AV | ASSISTANT 2ND SHAFT | 1 | | |
| 13 | 1E02E1A0 | ROUND BELT PHI4 (ORANGE) | 0.01m | | |
| 14 | ZB561RAY | WASHER 12X22X2.3 CHROME | 2 | | |
| 15 | 1E015JA0 | U-NUT M12 (P1.25) CHROME | 1 | | |

8-1. LIGHT POST ASSY.



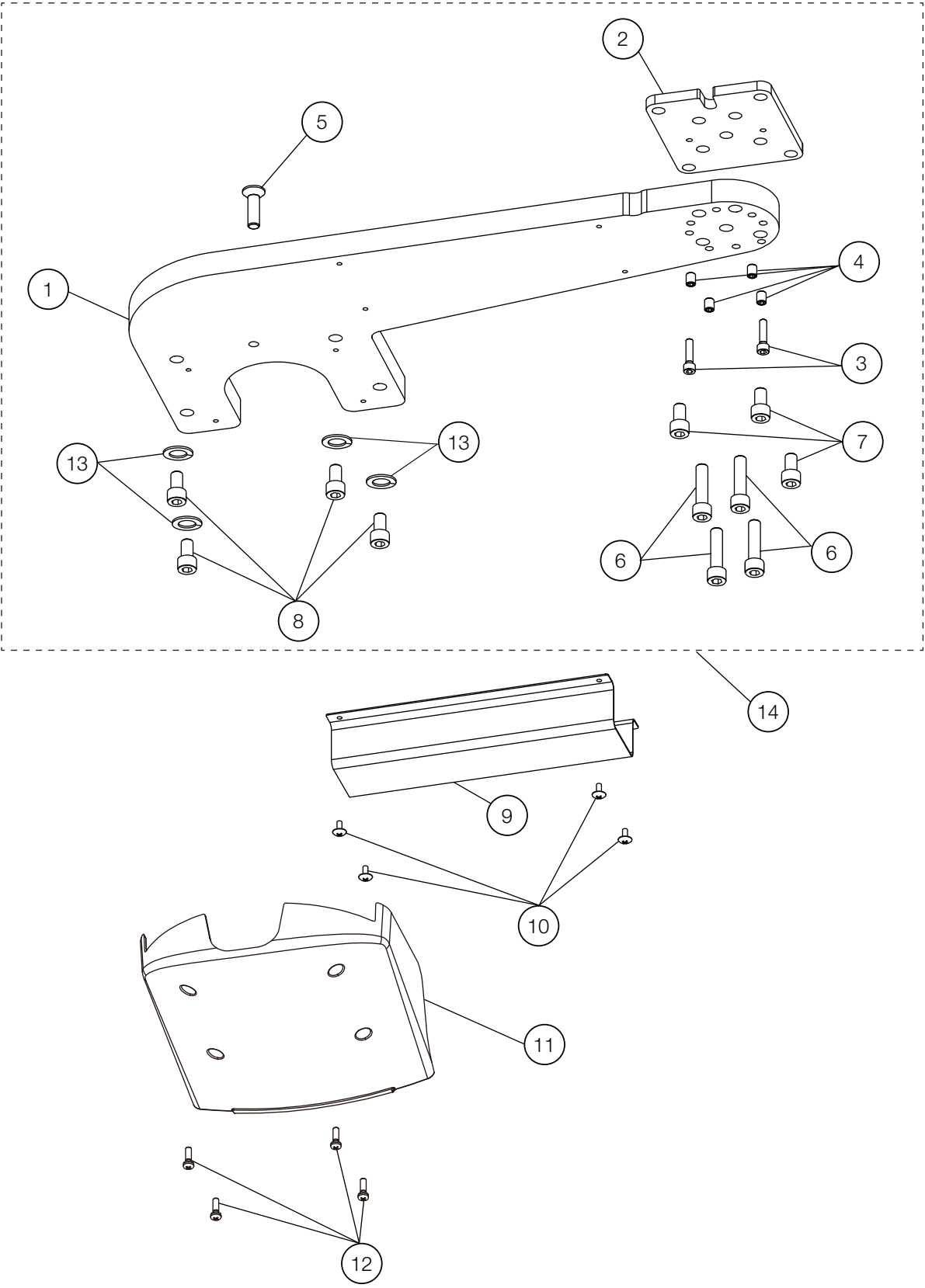
| NO. | PARTS NO. | DESCRIPTION | QTY | APPLICABLE SERIAL NO. | NOTE |
|-----|-----------|---|-----|-----------------------|------|
| 1 | AAFU04B0 | ROTATION WASHER | 1 | | |
| 2 | FACC50A0 | CAP FOR W/O MONITOR TYPE | 1 | | |
| 3 | 1A0HADA0 | PMU CAP 1 | 1 | | |
| 4 | 1E03ECA0 | HEX SOCKET BOLT M6X15 SUS | 4 | | |
| 5 | 1P04BXA0 | L SHAPED POLE ASSEMBLY | 1 | | |
| 6 | ZA774OLU | HEX SOCKET SET SCREW (CUP POINT) M6X5 SUS | 1 | | |
| 7 | 1P04BXA0 | L SHAPED POLE W/SCREW | 1 | | |
| 8 | 1P059BA0 | LIGHT POST ASSEMBLY | 1 | | |

8-2. MONITOR BRACKET



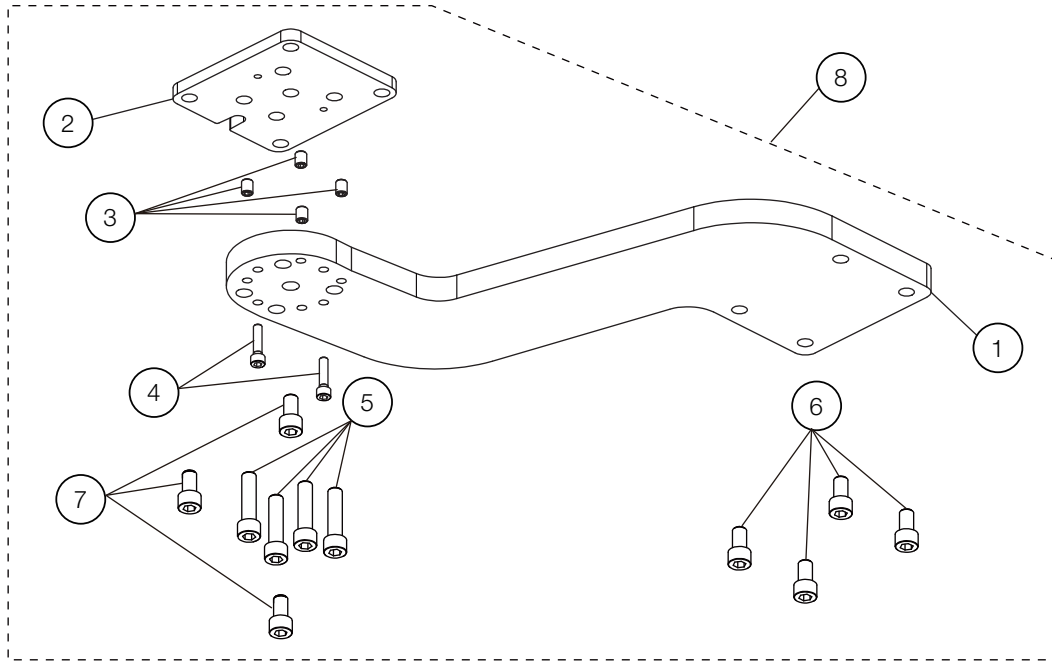
| NO. | PARTS NO. | DESCRIPTION | QTY | APPLICABLE SERIAL NO. | NOTE |
|-----|-----------|---------------------------------------|-----|-----------------------|------|
| 1 | 1P05UEA0 | MONITOR BRACKET ASSY | 1 | | |
| 2 | ZG081NXG | ROLL PIN M5x22 BLACK | 1 | | |
| 3 | 1E079TA0 | HEX SPACER | 1 | | |
| 4 | 1P05UCA0 | ROTATION BRACKET ASSY | 1 | | |
| 5 | 1E00E3A0 | CLIP FOR BRACKET | 2 | | |
| 6 | ZA771NNU | HEX SOCKET HEAD SCREW (FLAT) M5x6 SUS | 1 | | |
| 7 | ZB562OAY | WASHER M6x13x1.0 CHROME | 10 | | |
| 8 | 1A0X4UA0 | COVER FOR MONITOR | 1 | | |
| 9 | 1A0X4TA0 | LEFT COVER FOR MONITOR ARM BRACKET | 1 | | |
| 10 | 1A0X4SA0 | RIGHT COVER FOR MONITOR ARM BRACKET | 1 | | |
| 11 | 1A0PJ7B0 | POLE BAND | 2 | | |
| 12 | 1E00E3A0 | CLIP FOR BRACKET | 2 | | |
| 13 | ZA887JPY | PAN HEAD SEMS SCREW 2P M3x8 CHROME | 8 | | |
| 14 | ZA761NPG | SOCKET HEAD SCREW M5x8 BLACK | 1 | | |
| 15 | ZA761NYY | SOCKET HEAD SCREW M5x25 CHROME | 1 | | |
| 16 | ZA812NAY | NUT M5 CHROME | 1 | | |
| 17 | ZA812OAY | NUT M6 CHROME | 8 | | |

9-1. PMU CHAIR BRACKET FOR Q5000/Q5500/Q3300 (AU-HV3902)

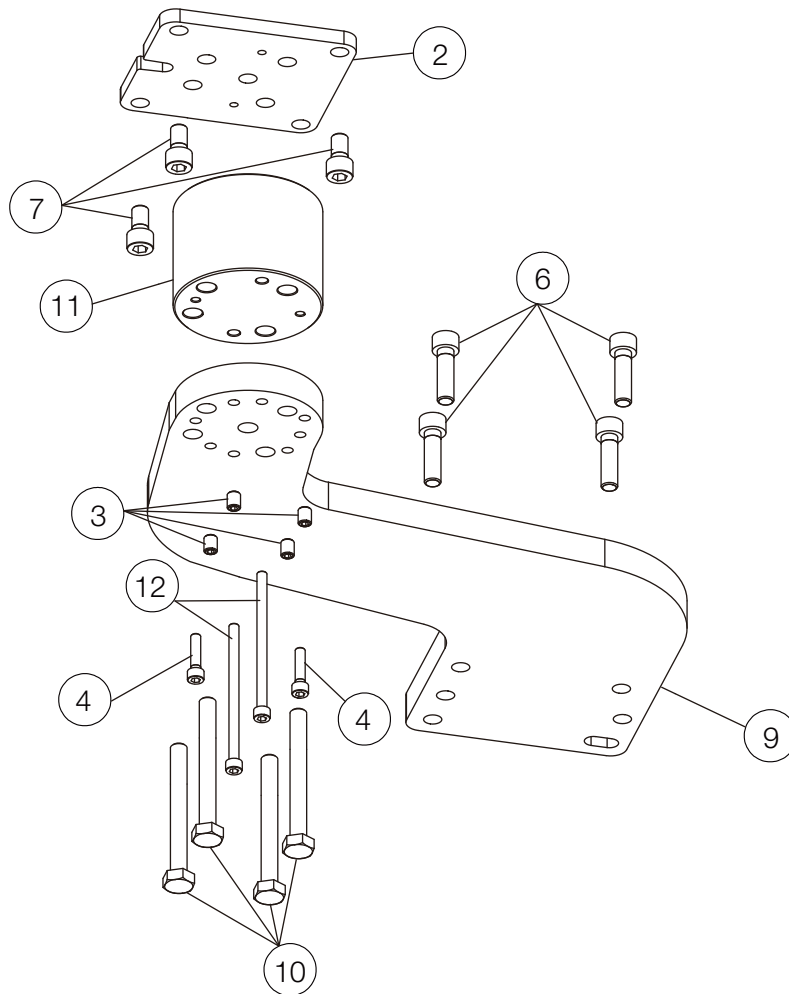


| NO. | PARTS NO. | DESCRIPTION | QTY | APPLICABLE SERIAL NO. | NOTE |
|-----|-----------|--|-----|-----------------------|------|
| 1 | 1A0HA9BV | MOUNTING BRACKET (AU-HV3902) | 1 | | |
| 2 | 1A0HAAAV | PMU BASE PLATE 2 | 1 | | |
| 3 | ZA761OYU | CAP BOLT M6X25 SUS | 2 | | |
| 4 | ZA771PRU | HEX SOCKET SET SCREW(FLAT) M8X10 SUS | 4 | | |
| 5 | ZSA01Q1U | FLAT HEAD SOCKET CAP SCREW M10X35 SUS | 1 | | |
| 6 | ZA761Q5Y | HEX SOCKET HEAD SCREW M10X55 CHROME | 4 | | |
| 7 | ZA761QVU | HEX SOCKET BOLT M10X18 SUS | 3 | | |
| 8 | ZA761Q2G | HEX SOCKET HEAD SCREW M10X40 BLACK | 4 | | |
| 9 | 1A0HC7AV | HOSE COVER | 1 | | |
| 10 | ZA114NNU | TRUSS M5X6 SUS | 4 | | |
| 11 | AAFB95C0 | HOSE COVER | 1 | | |
| 12 | ZA887NUU | PAN HEAD SEMS SCREW 2P M5X16 SUS | 4 | | |
| 13 | ZB511QAY | SPRING WASHER M10 CHROME | 4 | | |
| 14 | 1P04BVA0 | PMU MOUNT ASSEMBLY FOR Q5000 / Q5500 / Q3300 | 1 | | |

9-2. PMU BRACKET FOR PRO II (AU-HV3901)



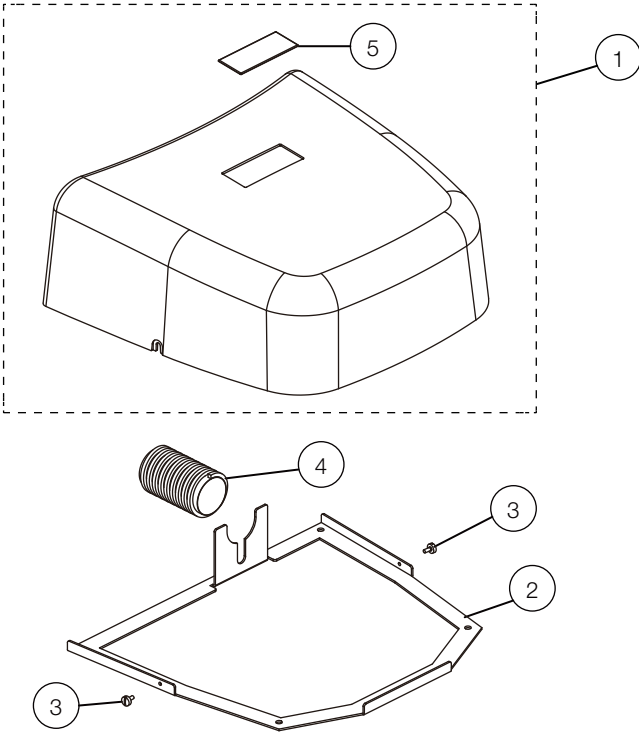
9-3. PMU CHAIR BRACKET FOR BEL-50 / PRO III (AU-HV3901N)



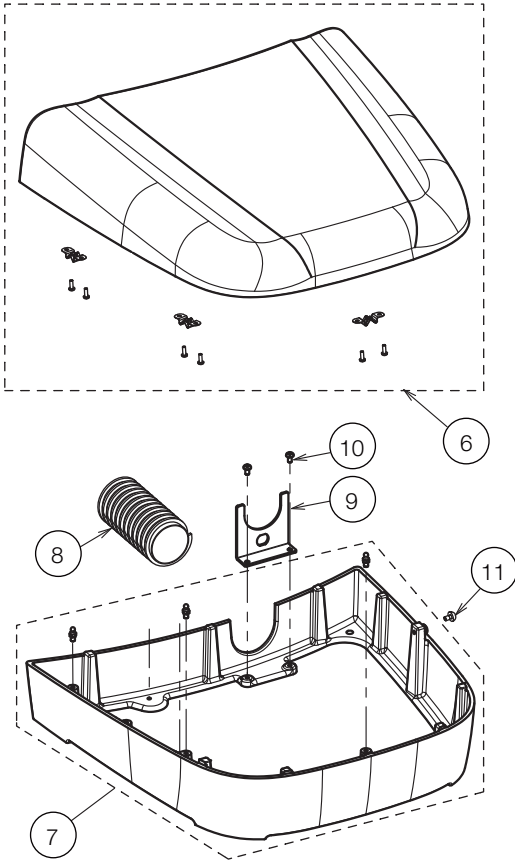
| NO. | PARTS NO. | DESCRIPTION | QTY | APPLICABLE SERIAL NO. | NOTE |
|-----|-----------|--------------------------------------|-----|-----------------------|-------------|
| 1 | 1A0HJ9CV | MOUNTING BRACKET (AU-HV3901) | 1 | - | |
| 2 | 1A0HAAAV | PMU BASE PLATE 2 | 1 | | |
| 3 | ZA771PRU | HEX SOCKET SET SCREW(FLAT) M8X10 SUS | 4 | | |
| 4 | ZA761OYU | CAP BOLT M6X25 SUS | 2 | | |
| 5 | ZA761Q5Y | HEX SOCKET HEAD SCREW M10X55 CHROME | 4 | | |
| 6 | ZA761Q1Y | HEX SOCKET HEAD SCREW M10X35 CHROME | 4 | | |
| 7 | ZA761QVU | HEX SOCKET BOLT M10X18 SUS | 3 | | |
| 8 | 1P04BUA0 | PMU MOUNT ASSEMBLY | 1 | | |
| 9 | 1A0HJ9CV | MOUNTING BRACKET (AU-HV3901N) | 1 | - | |
| 10 | ZA80AQ+Y | HEX SCREW M10X120 CHROME | 4 | | |
| 11 | 1A0TA3A0 | PMU BASE SPACER | 1 | | FOR PRO III |
| 12 | 1E07RUA0 | HEX SOCKET HEAD SCREW M6X95 SUS | 2 | | FOR PRO III |

10. JUNCTION BOX FOR Q5000/Q5500/Q3300 CHAIR

AU-HV3950

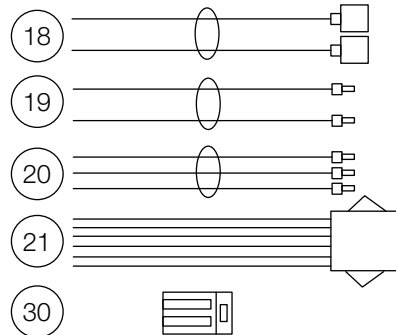
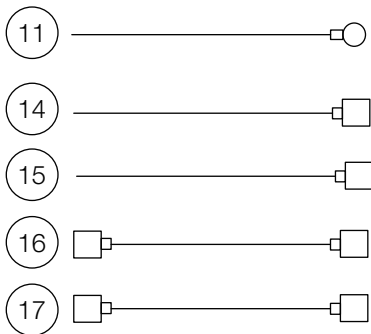
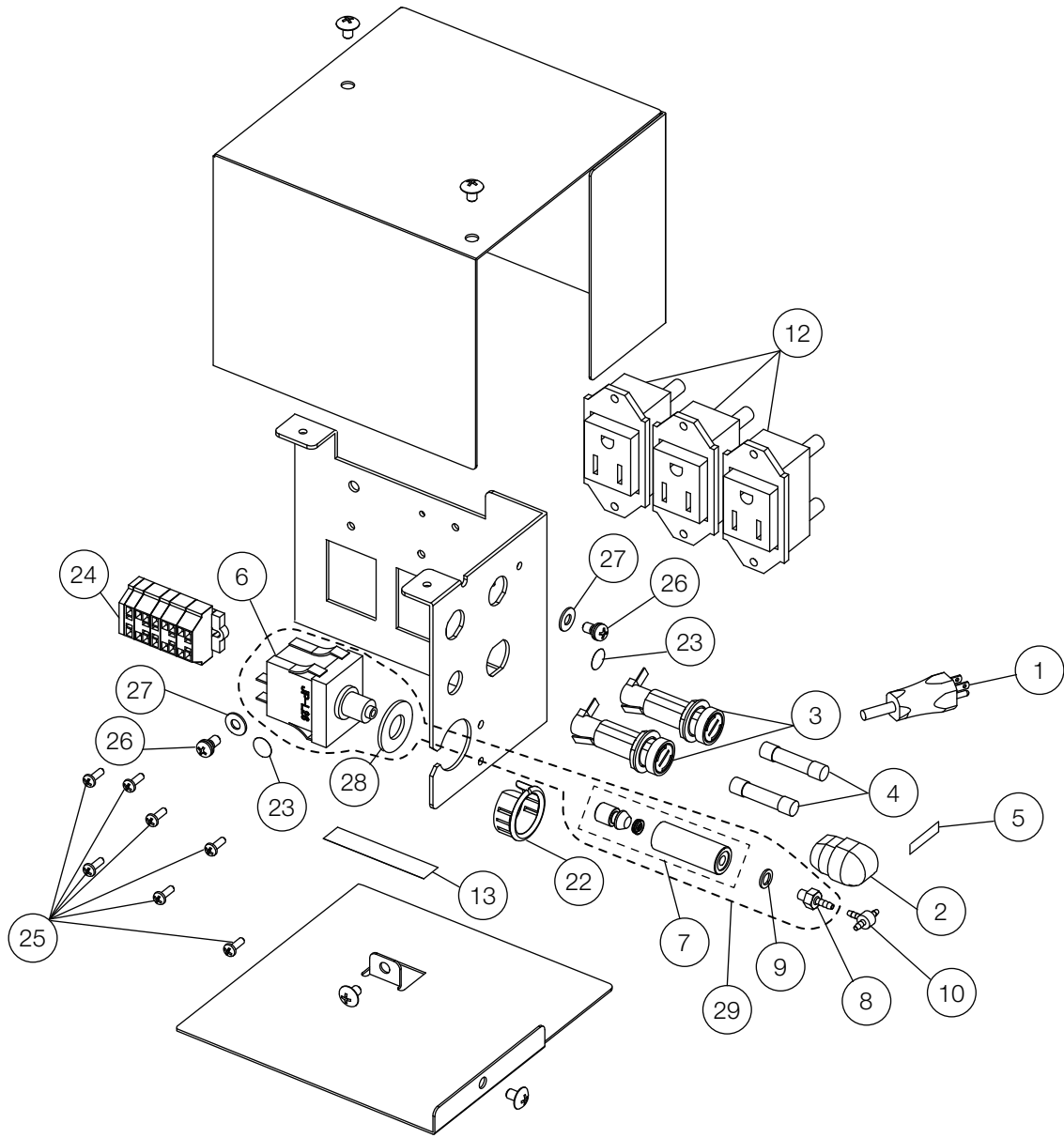


AU-HV3950Q



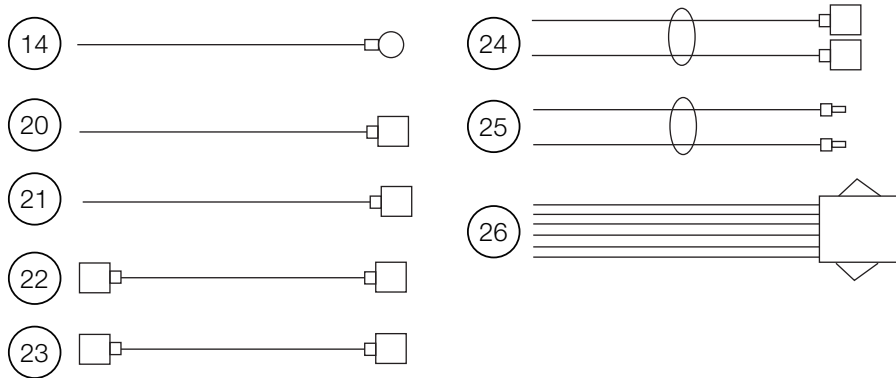
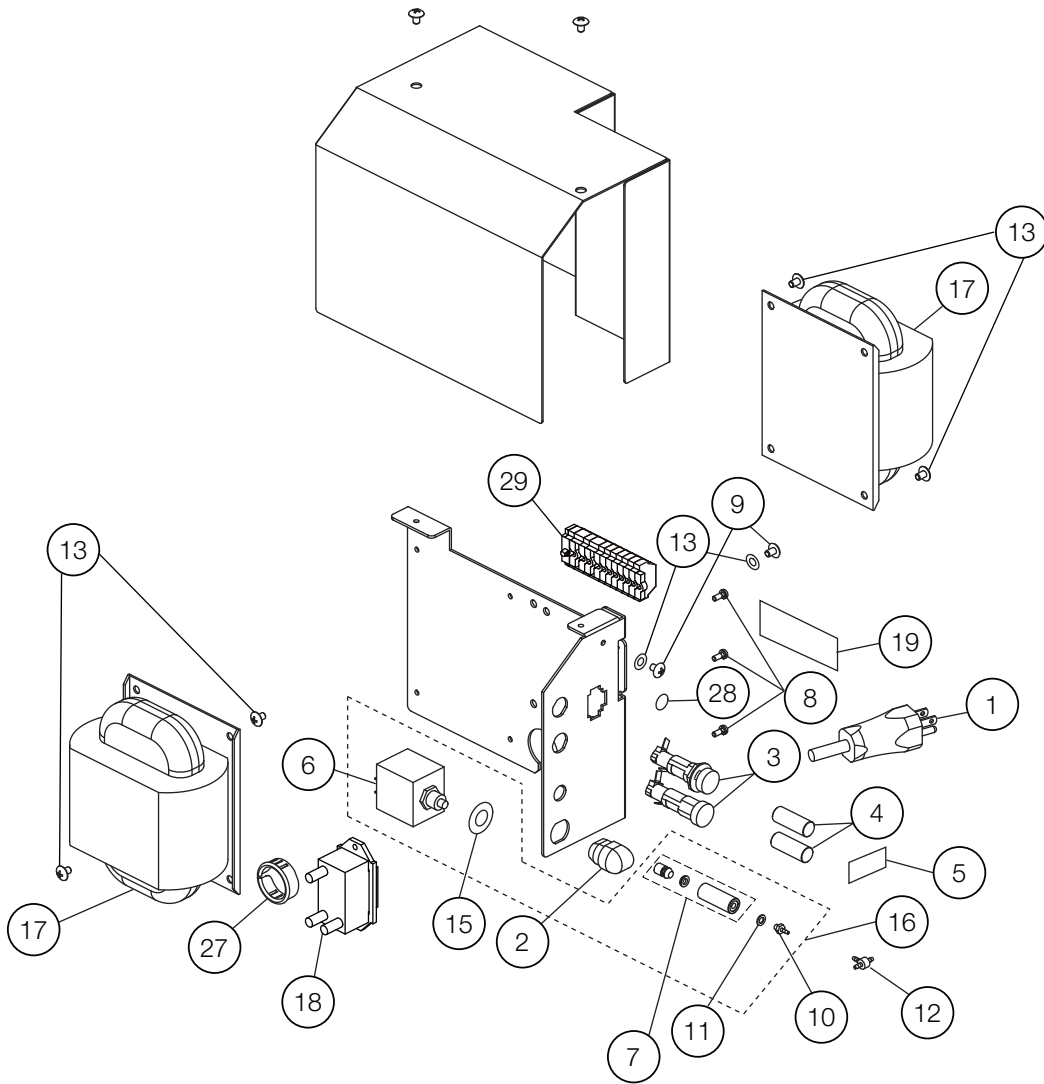
| NO. | PARTS NO. | DESCRIPTION | QTY | APPLICABLE SERIAL NO. | NOTE |
|-----|-----------|---|------|-----------------------|------|
| 1 | 1P045BA0 | J-BOX COVER W/LOGO | 1 | | |
| 2 | 1A0GN8AV | JUNCTION FRAME | 1 | | |
| 3 | AEFY91A0 | STRAIGHT SLOT KNURLED HEAD SCREW M5X10 | 2 | | |
| 4 | X-41350 | UMBILICAL HOSE Φ 50MM | 0.8m | | |
| 5 | 1A0HC9A0 | LOGO LABEL | 1 | | |
| 6 | 1P0728A0 | COVER WITH PIN CATCHES FOR JUNCTION BOX | 1 | | |
| 7 | 1P073GA0 | FRAME WITH PINS FOR JUNCTION BOX | 1 | | |
| 8 | X-41350 | UMBILICAL HOSE (30M/LOT) | 0.6m | | |
| 9 | 1A0V58A0 | BRACKET FOR HOSE | 1 | | |
| 10 | ZA887NRY | PAN HEAD SEMS SCREW 2P M5X10 CHROME | 2 | | |
| 11 | ZA114NRY | TRUSS M5X10 CHROME | 1 | | |

11-1. NEW POWER SUPPLY BOX FOR DR. TABLE ACCESSORIES (AU-HV3808)



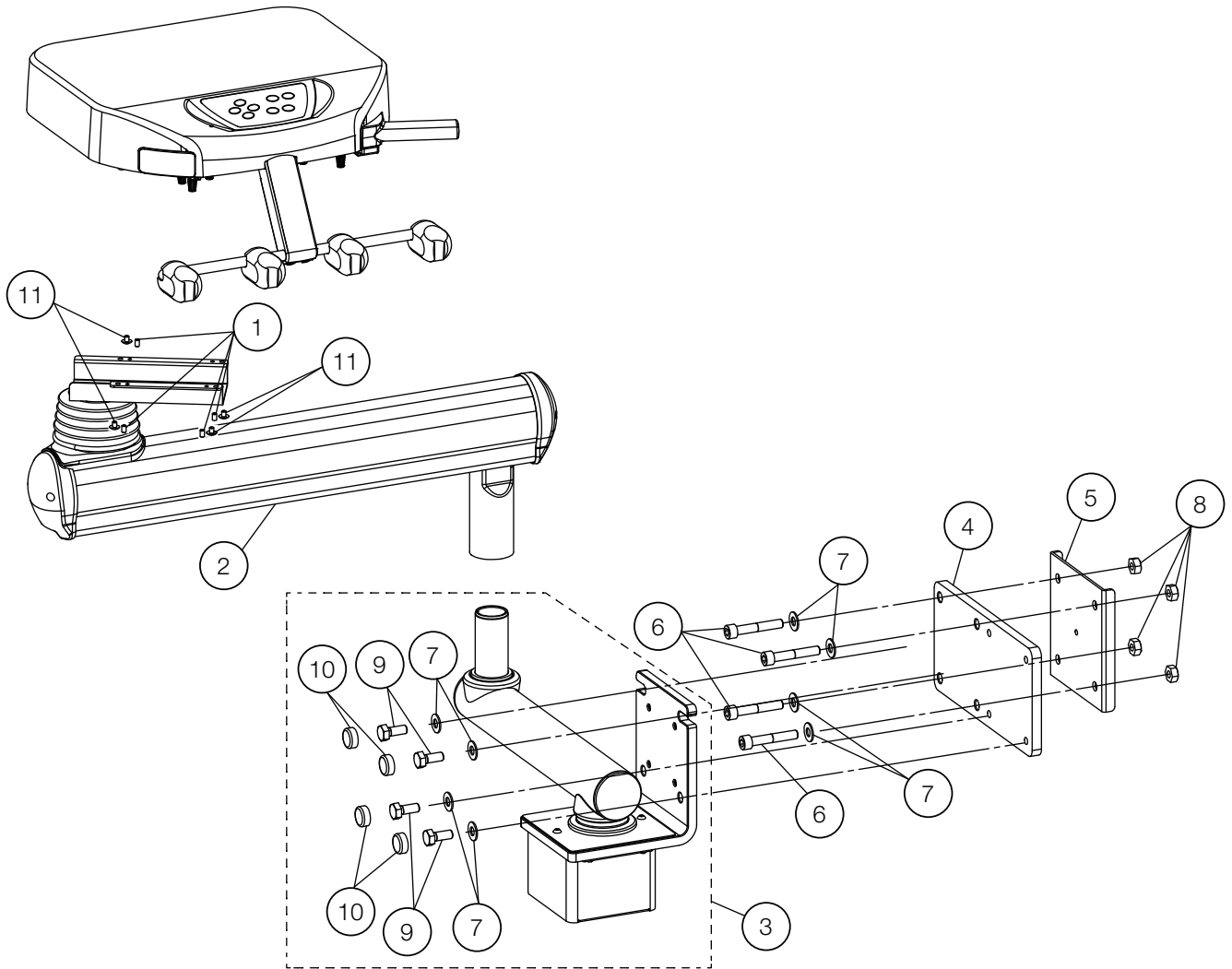
| NO. | PARTS NO. | DESCRIPTION | QTY | APPLICABLE SERIAL NO. | NOTE |
|-----|-----------|---|-----|-----------------------|----------------|
| 1 | 1E00CNB0 | POWER CABLE (UL/CSA) | 1 | | |
| 2 | AFNA70A0 | CORD BUSH (SR-11-2) | 1 | | |
| 3 | AEFR92A0 | FUSE HOLDER MF-530 | 2 | | |
| 4 | AFFT64A0 | FUSE 6A 250V UL CSA | 2 | | |
| 5 | 1A0HEPA0 | FUSE LABEL | 1 | | |
| 6 | 1A0H4TB0 | AIR SWITCH (JP-L26B AK-144) | 1 | VG16C0031 | |
| 7 | 1P06J7A0 | AIR SWITCH ASSEMBLY | 1 | VU19A0030 | |
| 8 | AFFS04A0 | 1/16 INX10-32 BARB (PLATED) | 1 | | USA P-N: P1052 |
| 9 | AFFU48A0 | WASHER 10-32 (SEAL) | 1 | | USA P-N: P1055 |
| 10 | AFFW91A0 | 1/16 IN BARB TEE PLATED | 1 | | USA P-N: P1875 |
| 11 | ANFT83A0 | EARTH WIRE (J-BOX) | 1 | | |
| 12 | AFNA12A0 | OUTLET (WHITE) | 3 | | |
| 13 | 1A0HENA0 | CAUTION LABEL FOR POWER OUTLET | 1 | | |
| 14 | 1A0HCVB0 | TRUNK LINE L FOR FUSE HOLDER | 1 | - | |
| 15 | 1A0HCWB0 | TRUNK LINE N FOR FUSE HOLDER | 1 | - | |
| 16 | 1A0HCXB0 | TRUNK LINE L FOR FUSE HOLDER - POWER SWITCH | 1 | - | |
| 17 | 1A0HCYA0 | TRUNK LINE N FOR FUSE HOLDER - POWER SWITCH | 1 | | |
| 18 | 1A0HCZA0 | TRUNK LINE FOR POWER SWITCH | 1 | | |
| 19 | 1A0HD0B0 | TRUNK LINE FOR OUTLET | 1 | - | |
| 20 | 1A0MGZA0 | OUTLET LINE W/ E | 2 | | |
| 21 | 1A0HD1A0 | TRUNK LINE FOR POWER LINE (SECONDARY) | 1 | | |
| 22 | AEFR78A0 | SNAP BUSHING OCB 875 | 1 | | |
| 23 | AARA00A0 | EARTH MARK | 2 | | |
| 24 | 1P04YDA0 | CAGE CLAMP ASSEMBLY | 1 | | |
| 25 | ZA115JPU | BINDING HEAD SCREW M3X8 SUS | 7 | | |
| 26 | ZA88JLNM | PAN HEAD SEMS SCREW M4X6 BSNI | 2 | | |
| 27 | ZB552LAY | EXTERNAL TOOTH LOCK WASHER M4 | 2 | | |
| 28 | ZB551QAY | INTERNAL TOOTH LOCK WASHER M10 | 1 | | |
| 29 | 1P04QA0 | MAIN AIR SWITCH ASSEMBLY | 1 | | |
| 30 | 1E04HWA0 | CONNECTOR (WF-2/WAGO) | 2 | | |

11-2. OLD STYLE POWER SUPPLY BOX FOR DR. TABLE ACCESSORIES (AU-HV3807)



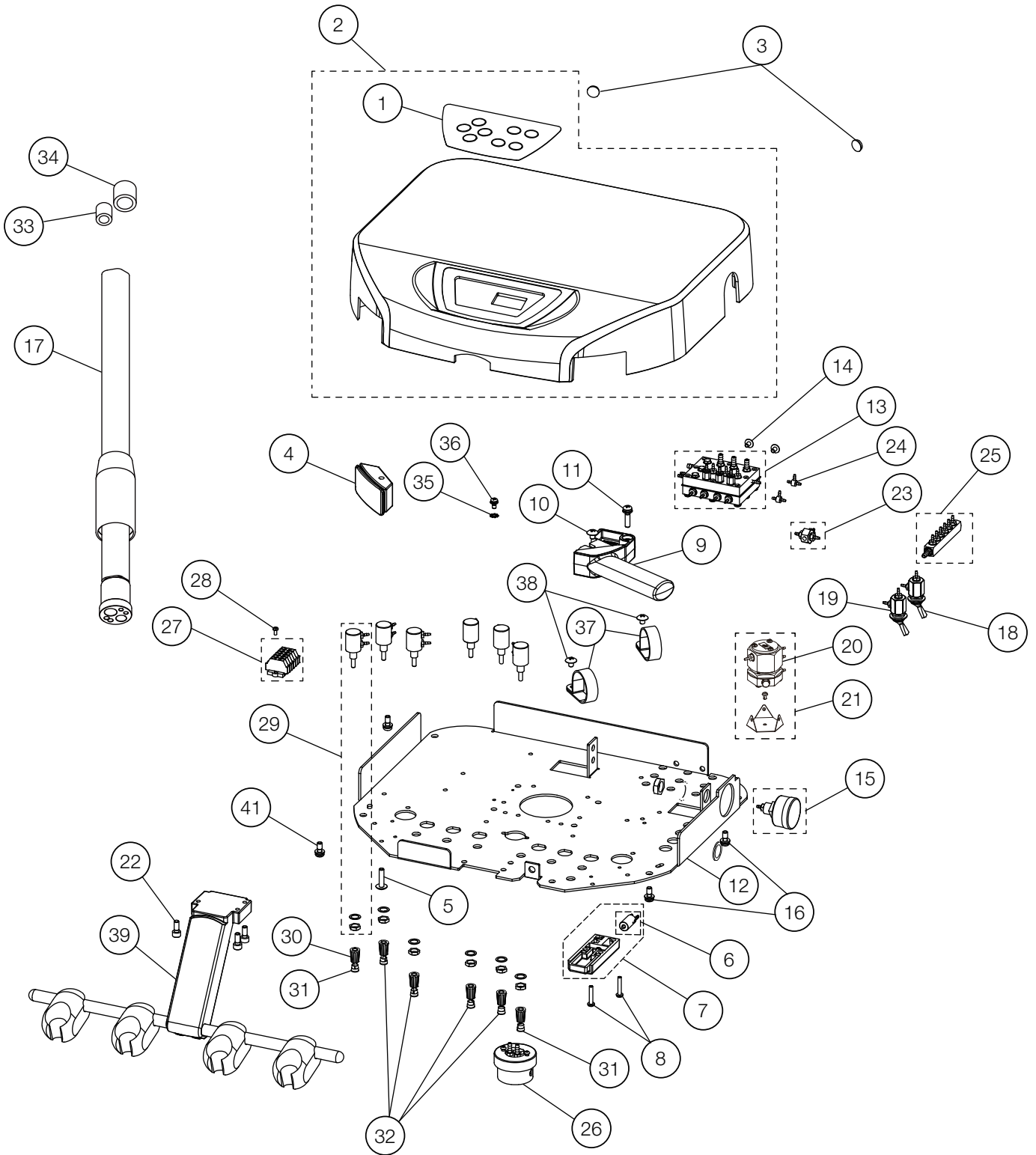
| NO. | PARTS NO. | DESCRIPTION | QTY | APPLICABLE SERIAL NO. | NOTE |
|-----|-------------|---|-----|-----------------------|----------------|
| 1 | 1E00CNB0 | POWER CABLE (UL/CSA) | 1 | | |
| 2 | AFNA70A0 | CORD BUSH (SR-11-2) | 1 | | |
| 3 | AEFR92A0 | FUSE HOLDER MF-530 | 2 | | |
| 4 | AFFT64A0 | FUSE 6A 250V UL CSA | 2 | | |
| 5 | 1A0HEPA0 | FUSE LABEL | 1 | | |
| 6 | 1A0H4TB0 | AIR SWITCH (JP-L26B AK-144) | 1 | VG16C0031 | |
| 7 | 1P06J7A0 | AIR SWITCH ASSEMBLY | 1 | VU19A0030 | |
| 8 | ZA115JPU | BINDING HEAD SCREW M3X8 SUS | 3 | | |
| 9 | ZA88JLNM | PAN HEAD SEMS SCREW M4X6 BSNI | 2 | | |
| 10 | AFFS04A0 | 1/16 INX10-32 BARB (PLATED) | 1 | | USA P-N: P1052 |
| 11 | AFFU48A0 | WASHER 10-32 (SEAL) | 1 | | USA P-N: P1055 |
| 12 | AFFW91A0 | 1/16 IN BARB TEE PLATED | 1 | | USA P-N: P1875 |
| 13 | ZB552LAY | EXTERNAL TOOTH LOCK WASHER M4 | 2 | | |
| 14 | ANFT83A0 | EARTH WIRE (J-BOX) | 1 | | |
| 15 | ZB551QAY | INTERNAL TOOTH LOCK WASHER M10 | 1 | | |
| 16 | 1P04AQA0 | MAIN AIR SWITCH ASSEMBLY | 1 | | |
| 17 | 1A06HKA0 | TRANSFORMER NK-020A | 2 | | |
| 18 | AFNA12A0 | OUTLET (WHITE) | 1 | | |
| 19 | 1A0HENA0 | CAUTION LABEL FOR POWER OUTLET | 1 | | |
| 20 | 1A0HCVB0 | TRUNK LINE L FOR FUSE HOLDER | 1 | - | |
| 21 | 1A0HCWB0 | TRUNK LINE N FOR FUSE HOLDER | 1 | - | |
| 22 | 1A0HCXB0 | TRUNK LINE L FOR FUSE HOLDER - POWER SWITCH | 1 | - | |
| 23 | 1A0HCYA0 | TRUNK LINE N FOR FUSE HOLDER - POWER SWITCH | 1 | | |
| 24 | 1A0HCZA0 | TRUNK LINE FOR POWER SWITCH | 1 | | |
| 25 | 1A0HD0B0 | TRUNK LINE FOR OUTLET | 1 | - | |
| 26 | 1A0HD1A0 | TRUNK LINE FOR POWER LINE (SECONDARY) | 1 | | |
| 27 | XX-38724035 | SNAP BUSHING (OCB 1000) | 1 | | |
| 28 | AARA00A0 | EARTH MARK | 1 | | |
| 29 | 1P04ARA0 | CAGE CLAMP ASSEMBLY | 1 | | |

12-1. SIDE DELIVERY



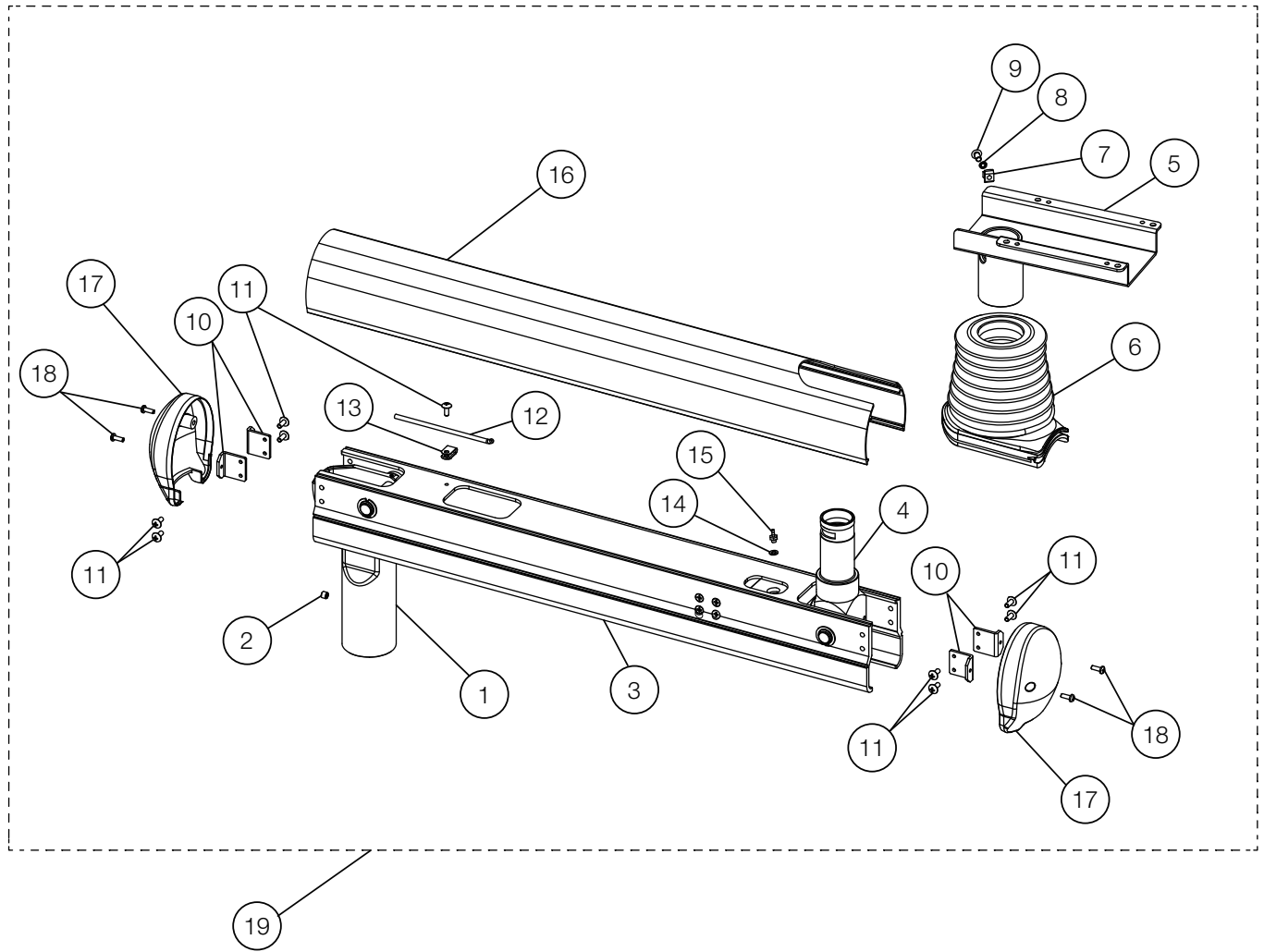
| NO. | ID | PARTS NO. | DESCRIPTION | QTY | APPLICABLE SERIAL NO. | NOTE |
|-----|-----|------------|--|-----|-----------------------|------|
| 1 | F23 | - ZA774NPU | HEX SOCKET SET SCREW(CUP POINT) M5X8 SUS | 4 | | |
| 2 | F22 | - 1P06HQA0 | BALANCE ARM ASSEMBLY | 1 | | |
| 3 | F22 | - 1P059FA0 | MOUNTING BRACKET ASSEMBLY | 1 | | |
| 4 | F22 | - 1A0NA3BV | MOUNTING PLATE | 1 | | |
| 5 | F22 | - 1A0NA2A0 | REINFORCE PLATE | 1 | | |
| 6 | F23 | - ZA761Q6U | HEX SOCKET HEAD CAP M8X12 SUS | 4 | | |
| 7 | F23 | - ZB562QAU | WASHER M10X22X1.6 SUS | 8 | | |
| 8 | F23 | - ZA812QAU | NUT M10 SUS | 4 | | |
| 9 | F23 | - ZA80AQYU | HEX HEAD BOLT M10X25 SUS | 4 | | |
| 10 | F23 | - DENR03BA | BOLT CAP | 4 | | |
| 11 | F23 | - ZA114NPU | TRUSS M5X8 SUS | 4 | | |

12-2. DOCTOR TABLE



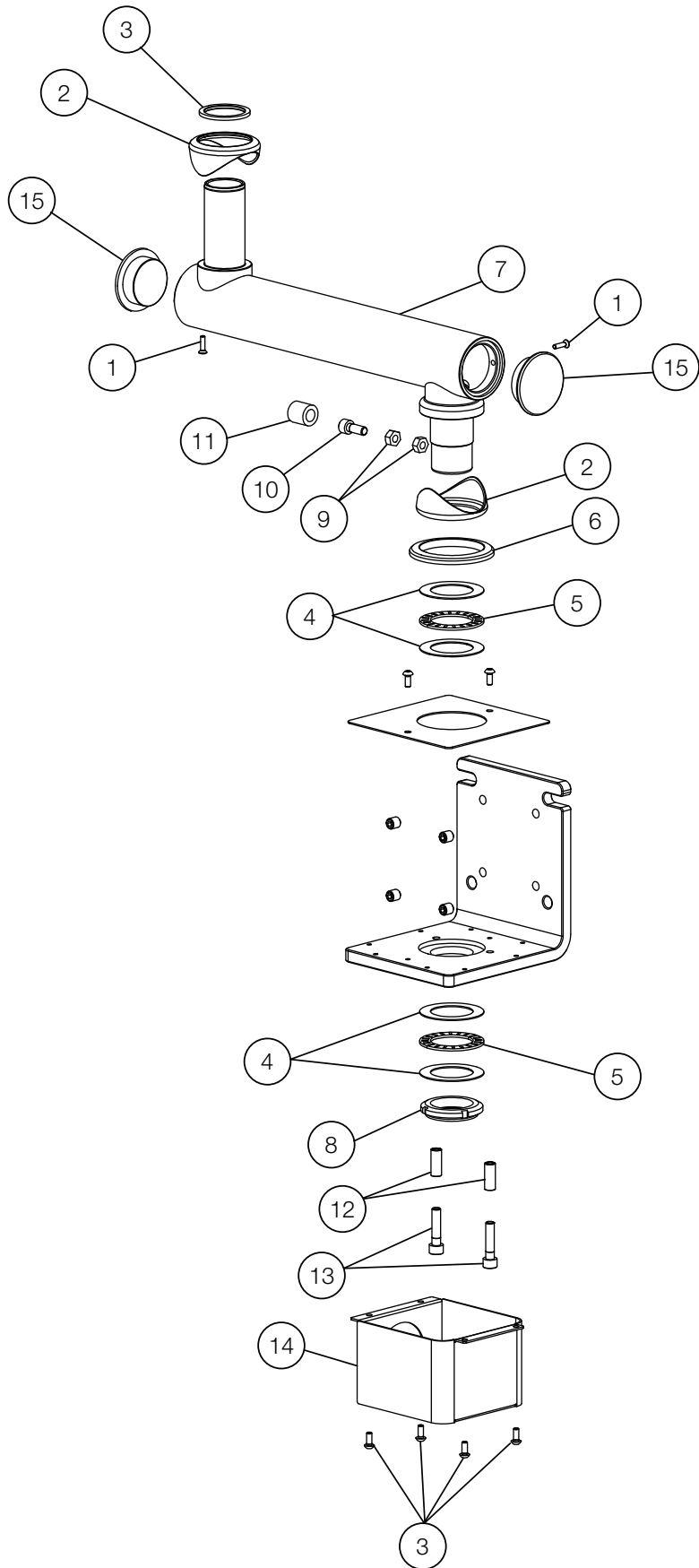
| NO. | PARTS NO. | DESCRIPTION | QTY | APPLICABLE SERIAL NO. | NOTE |
|-----|-----------|--|-----|-----------------------|----------------|
| 1 | 1A0GNHA0 | DOCTOR MEMBRANE SWITCH | 1 | | |
| 2 | 1P0458A0 | TABLE TOP WITH MEMBRANE SWITCH | 1 | | |
| 3 | FJBA04A0 | RUBBER CUSHION | 2 | VS18J0064 | |
| 4 | 1A0N9YA0 | RUBBER COVER | 1 | | |
| 5 | ZA114NWU | TRUSS M5X20 SUS | 1 | | |
| 6 | 1P04AUAO | MICRO PILOT VALVE | 1 | | |
| 7 | 1P045AA0 | AIR BRAKE ASSEMBLY | 1 | | |
| 8 | ZA111LWU | PAN HEAD SCREW M4X20 SUS | 2 | | |
| 9 | 1A0GNBAV | TABLE HANDLE | 1 | | |
| 10 | ZA114NNU | TRUSS M5X6 SUS | 1 | | |
| 11 | ZA887NXY | PAN HEAD SEMS SCREW 2P M5X22 CHROME | 1 | | |
| 12 | 1A0NACAV | TABLE CHASSIS | 1 | | |
| 13 | 1P053SA0 | AUTO SELECT VALVE ASSEMBLY FOR 3 HP TUBINGS (EXCEPT FOR SYRINGE) | 1 | | |
| | 1P04DYAO | AUTO SELECT VALVE ASSEMBLY FOR 4 HP TUBINGS (EXCEPT FOR SYRINGE) | | | |
| 14 | ZA114LNU | TRUSS M4X6 SUS | 2 | | |
| 15 | 1P04AXA0 | PRESSURE GAUGE ASSEMBLY | 1 | | |
| 16 | ZA88JNSU | PAN HEAD SCREW M5X10 SUS | 4 | | |
| 17 | AFFS02A0 | HANDPIECE TUBING STRAIGHT 7FT W | 3 | | USA P-N: D432T |
| 18 | 1P06HRA0 | TOGGLE VALVE ASSEMBLY (MAIN SWITCH) | 1 | | |
| 19 | 1P06HSA0 | TOGGLE VALVE ASSEMBLY (FLUSHOUT) | 2 | | |
| 20 | 1P07FZA0 | PULL BACK VALVE | 1 | | |
| 21 | 1P07FYA0 | PULL BACK VALVE WITH BRACKET AND RIVET | 1 | | |
| 22 | ZA761NSU | HEX SOCKET HEAD SCREW M5X12 SUS | 5 | | |
| 23 | 1P053VA0 | SHUTTLE VALVE ASSEMBLY | 1 | | |
| 24 | AFFW91A0 | 1/16 IN BARB TEE PLATED | 2 | | USA P-N: P1875 |
| 25 | 1P04AVA0 | MANIFOLD W/O BOWL | 1 | | |
| 26 | 1E04R2A0 | OIL MIST SEPARATOR | 1 | | |
| 27 | 1P057FA0 | CAGE CLAMP ASSEMBLY | 1 | | |
| 28 | ZA111JNU | PAN HEAD SCREW M3X6 SUS | 1 | | |
| 29 | 1P04AYA0 | NEEDLE VALVE ASSEMBLY | 6 | | |
| 30 | FJLA14A0 | NEEDLE VALVE KNOB | 6 | | |
| 31 | FJLA16A0 | CAP FOR KNOB (YELLOW) | 2 | | |
| 32 | FJLA15A0 | CAP FOR KNOB (BLUE) | 4 | | |
| 33 | AFFS15B0 | 1/8 IN TUBING COLLAR | 3 | | USA P-N: P1061 |
| 34 | AFFS14B0 | 1/4 IN TUBING COLLAR | 3 | | USA P-N: P1062 |
| 35 | ZB552LAU | EXTERNAL TOOTH WASHER M4 SUS | 1 | | |
| 36 | ZA88JLPU | PAN HEAD SCREW M4X8 SUS | 1 | | |
| 37 | DEBR42A0 | NYLON CLAMP 3344 1-1/4 | 2 | | |
| 38 | ZA114NNU | TRUSS M5X6 SUS | 2 | | |
| 39 | 1P057GA0 | HP HOLDER ASSEMBLY | 1 | | |

12-3. BALANCE ARM



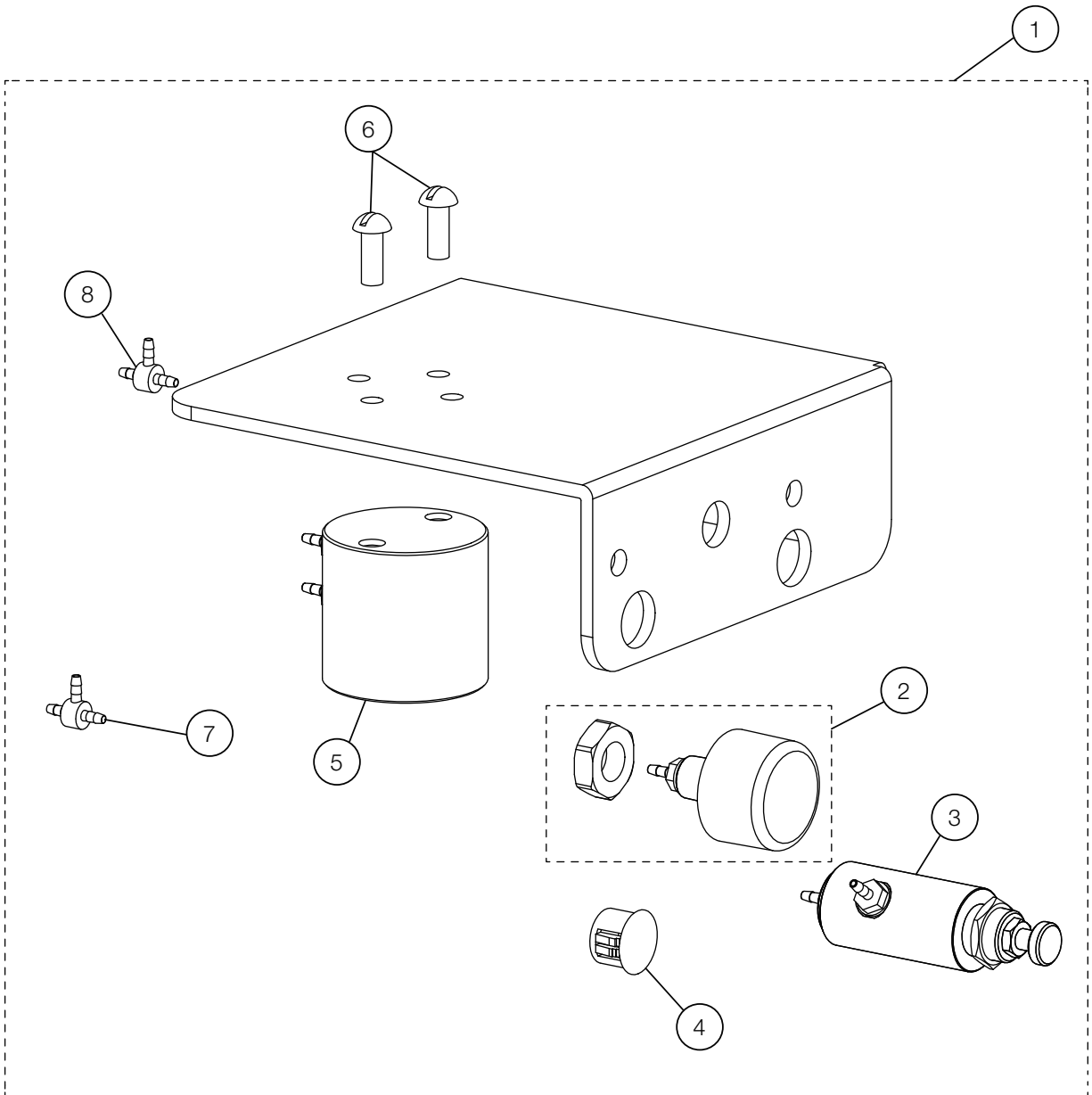
| NO. | PARTS NO. | DESCRIPTION | QTY | APPLICABLE SERIAL NO. | NOTE |
|-----|-----------|---|-----|-----------------------|----------------|
| 1 | AAFB96C0 | SUPPORT JOINT | 1 | VW20C0014 | |
| 2 | ZA774OLU | HEX SOCKET SET SCREW (CUP POINT) M6X5 SUS | 1 | | |
| 3 | 1A0NA0AV | BALANCE ARM FRAME | 1 | | |
| 4 | 1A0NAAAV | SUPPORT JOINT FRONT | 1 | | |
| 5 | 1A0NABBV | TABLE BRACKET SIDE | 1 | VW18I0015 | |
| 6 | 1A0N9XA0 | BELLOWS COVER | 2 | | |
| 7 | FATA05A0 | STOPPER FOR TABLE ROTATION | 1 | | |
| 8 | ZB551NAU | WASHER | 1 | | |
| 9 | ZSA11NRC | HEX BUTTON HEAD SCREW M6X5 SUS | 1 | | |
| 10 | AAFT87A0 | BRACKET FOR ARM END CAP | 4 | | |
| 11 | ZA114LRU | TRUSS M4X10 SUS | 9 | | |
| 12 | CANF43B0 | ADJUSTING BAR FOR SPRING | 1 | | |
| 13 | APNA19A0 | NYLON CLAMP NK-2N | 1 | | |
| 14 | AFFU48A0 | WASHER 10-32 (SEAL) | 1 | | USA P-N: P1055 |
| 15 | AFFS04A0 | 1/16 INX10-32 BARB (PLATED) | 1 | | USA P-N: P1052 |
| 16 | 1A0N9ZAV | PIPING COVER | 1 | | |
| 17 | AAFF04C0 | END CAP | 2 | | |
| 18 | ZA111LRU | PAN HEAD SCREW M4X10 SUS | 4 | | |
| 19 | 1P057HA0 | BALANCE ARM ASSEMBLY | 1 | | |

12-4. MOUNTING BRACKET



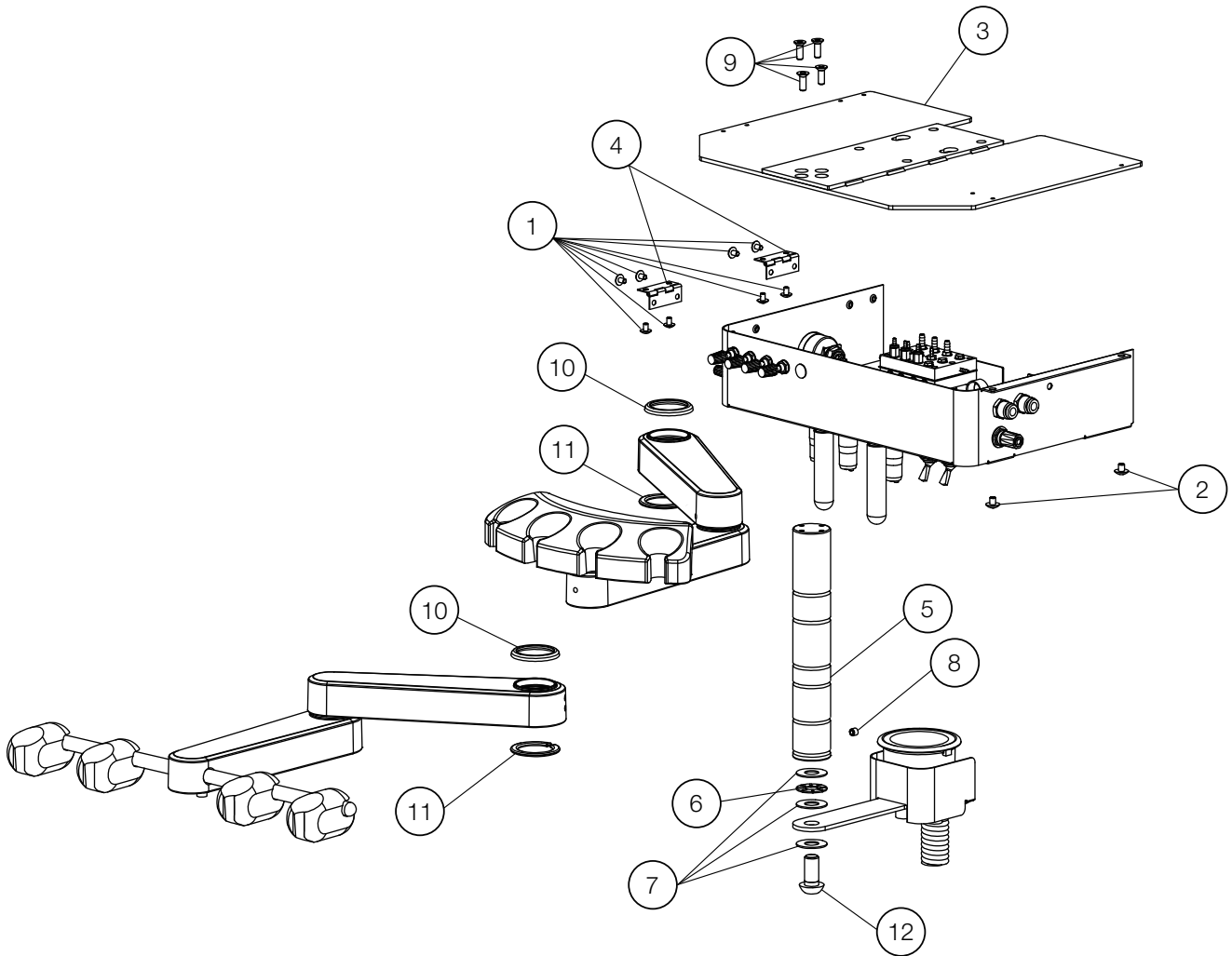
| NO. | PARTS NO. | DESCRIPTION | QTY | APPLICABLE SERIAL NO. | NOTE |
|-----|-----------|---------------------------------|-----|-----------------------|------|
| 1 | ZA114LSU | TRUSS M4X12 SUS | 2 | | |
| 2 | 1A0KE7B0 | CAP FOR FIRST ARM | 2 | VW19A0001 | |
| 3 | AAFT81B0 | WASHER FOR ROTATION SHAFT | 1 | VG16F0001 | |
| 4 | 1E06BNA0 | THRUST WASHER AS1108 | 4 | | |
| 5 | 1E06BPA0 | THRUST BEARING AXK1108 | 2 | | |
| 6 | 1A0HAEA0 | PMU CAP 2 | 1 | | |
| 7 | 1A0NA5BV | FIRST ARM | 1 | | |
| 8 | AESA04A0 | U NUT FU08SS | 1 | | |
| 9 | ZA812PAY | NUT M8 | 2 | | |
| 10 | ZA761PWU | HEX SOCKET HEAD SCREW M8X20 SUS | 1 | | |
| 11 | 1A0E68B0 | STOPPER RUBBER | 1 | | |
| 12 | 1E06BMA0 | SPACER M8X25 SUS | 2 | | |
| 13 | ZA761P1G | HEX SOCKET HEAD SCREW M8X35 SUS | 2 | | |
| 14 | 1A0NA6AV | MOUNTING BRACKET COVER | 1 | | |
| 15 | 1A0HB7AV | ARM END CAP | 2 | | |

12-5. WATER BOTTLE BRACKET



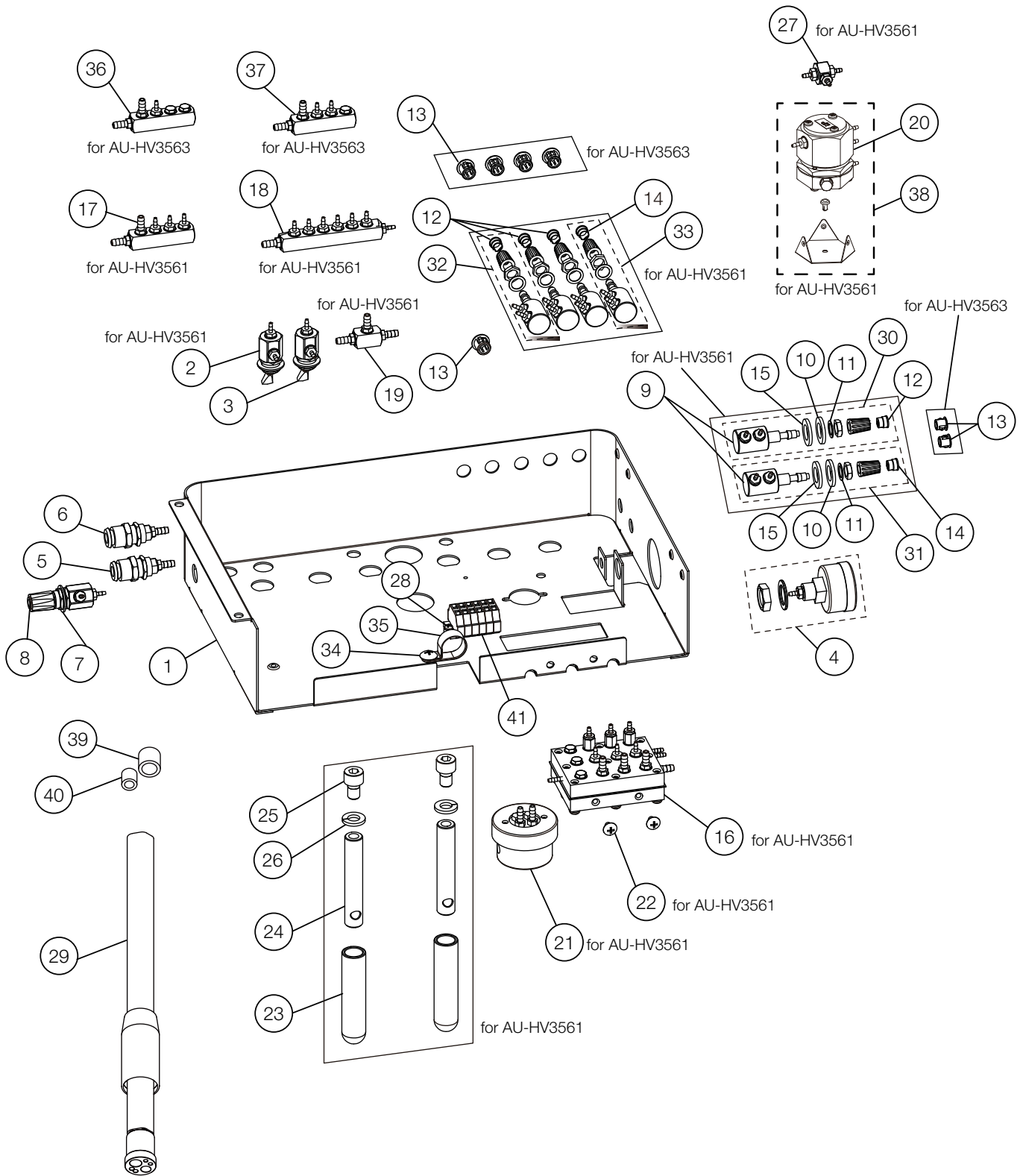
| NO. | PARTS NO. | DESCRIPTION | QTY | APPLICABLE SERIAL NO. | NOTE |
|-----|-----------|-------------------------------|-----|-----------------------|------------------------|
| 1 | 1P057JA0 | WATER BOTTLE BRACKET ASSEMBLY | 1 | | |
| 2 | 1G06Z5A0 | PRESSURE GAUGE W3055 | 1 | | USA P-N: C1840T |
| 3 | AFFS16A0 | MINI AIR REGULATOR | 1 | | USA P-N: C1835 |
| 4 | FEOA24A0 | HOLE PLUG DP-500W | 1 | | |
| 5 | 1G06Z3A0 | BOTTLE HEAD 3055 | 1 | | USA P-N: RC18041BEL |
| 6 | AFFS19A0 | 10-32 1/2 SCREW SUS | 2 | | USA P-N: RF-2010 |
| 7 | AFFW91A0 | 1/16 IN BARB TEE PLATED | 2 | | USA P-N: P1875 |

13-1. REAR DELIVERY



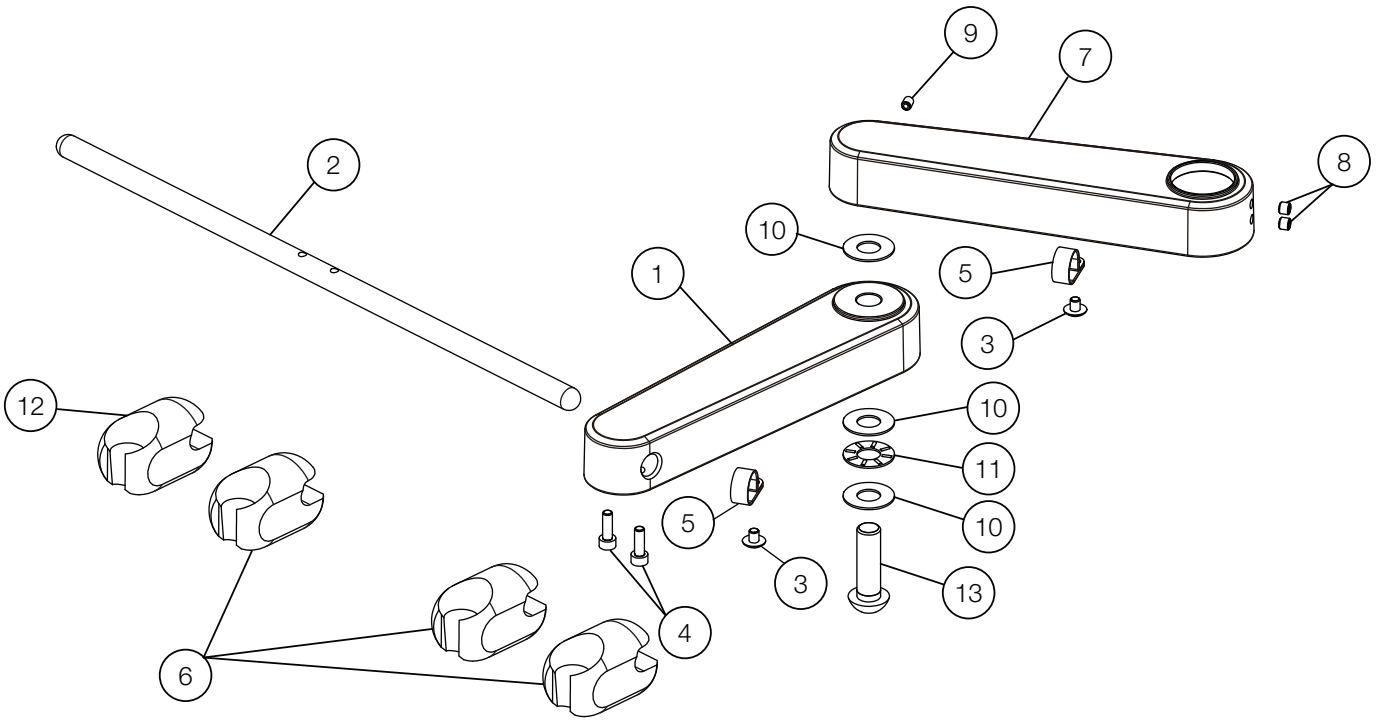
| NO. | PARTS NO. | DESCRIPTION | QTY | APPLICABLE SERIAL NO. | NOTE |
|-----|-----------|---|-----|-----------------------|------|
| 1 | ZA114LNU | TRUSS M4X6 SUS | 8 | | |
| 2 | ZA114NNU | TRUSS M5X6 SUS | 2 | | |
| 3 | 1A0J2U0B0 | MOUNTING PLATE | 1 | VW17C0037 | |
| 4 | AFFS98A0 | FLAT HINGE TH-TM-86 SUS | 2 | | |
| 5 | 1A0J2VA0 | ARM SHAFT | 1 | | |
| 6 | 1E00E5A0 | THRUST BEARING (AXK1101) | 1 | | |
| 7 | AERN11A0 | THRUST WASHER (AS1101) | 3 | | |
| 8 | ZA774OLU | HEX SOCKET SET SCREW (CUP POINT) M6X5 SUS | 1 | | |
| 9 | ZA112N#Y | COUNTERSUNK HEAD SCREW M5X15 CHROME | 4 | | |
| 10 | 1A0J6SA0 | ARM CAP | 2 | | |
| 11 | 1A0J30A0 | LOCK RING | 2 | | |
| 12 | ZSA11RYU | SET SCREW M12X25 SUS | 1 | | |

13-2. DOCTOR TABLE

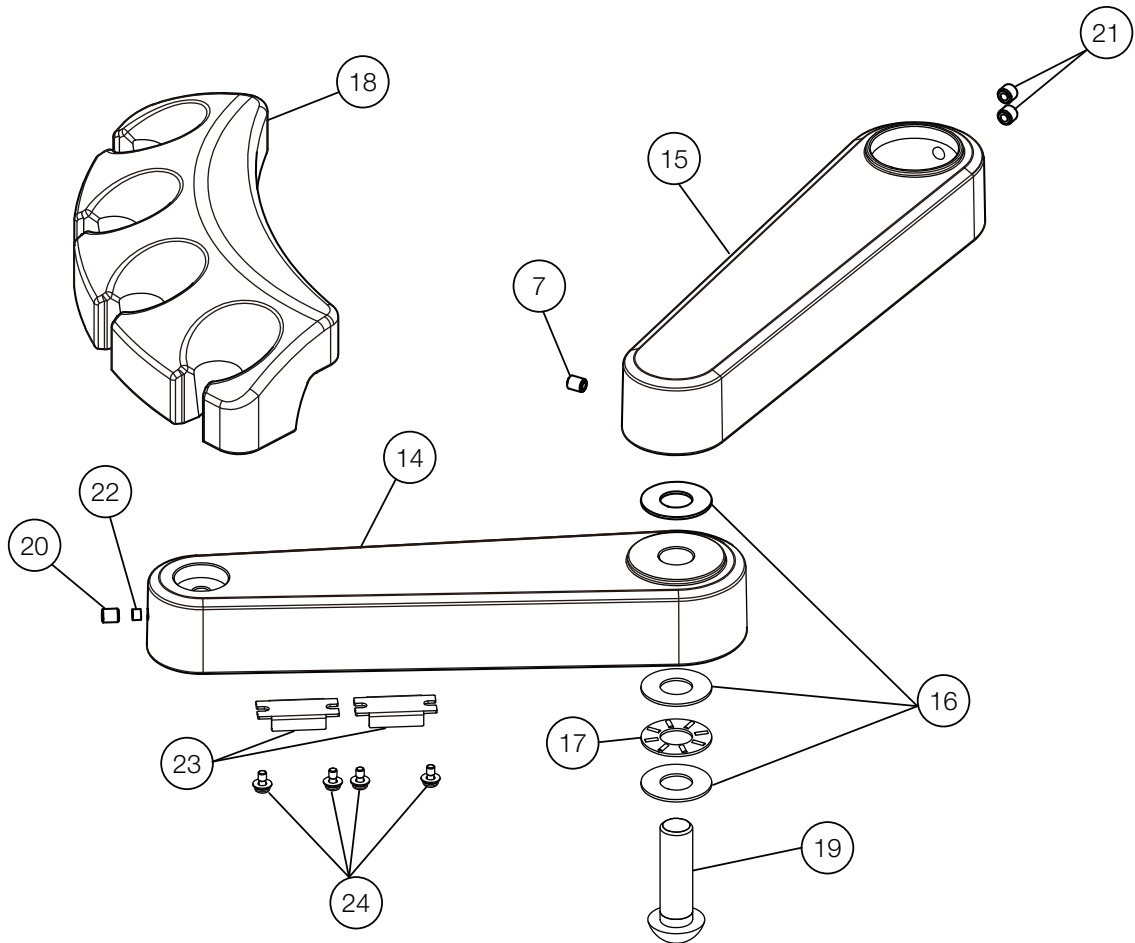


| NO. | PARTS NO. | DESCRIPTION | QTY | APPLICABLE SERIAL NO. | NOTE |
|-----|-----------|--|-----|-----------------------|-------------------|
| 1 | 1A0J2TBV | TABLE CHASSIS | 1 | | |
| 2 | 1P06GMA0 | TOGGLE VALVE (MOMENTARY TYPE) | 1 | | |
| 3 | 1P06GNA0 | TOGGLE VALVE (ALTERNATE TYPE) | 1 | | |
| 4 | 1P04AXA0 | PRESSURE GAUGE ASSEMBLY | 1 | | |
| 5 | AFFS27A0 | H2O QUICK DISCONNECT 1/4 IN YELLOW | 1 | | USA P-N: P1075YEL |
| 6 | AFFS26A0 | H2O QUICK DISCONNECT 1/4 IN BLUE | 1 | | USA P-N: P1075BLU |
| 7 | FALC54A0 | FLAT WASHER (WATER ADJUSTMENT) | 1 | | |
| 8 | 1P04B2A0 | NEEDLE VALVE ASSEMBLY | 1 | | USA P-N: V1511G |
| 9 | 1P053RA0 | SMALL NEEDLE VALVE | 6 | | |
| 10 | FALC50A0 | WASHER | 6 | | |
| 11 | FALC49A0 | NUT | 6 | | |
| 12 | FJLA15A0 | CAP FOR KNOB (BLUE) | 4 | | |
| 13 | 1E059UA0 | HOLE PLUG CP30HP3 | 7 | | |
| 14 | FJLA16A0 | CAP FOR KNOB (YELLOW) | 2 | | |
| 15 | 1E03K7A0 | WASHER M10X18X2 SUS | 4 | | |
| 16 | 1P053SA0 | AUTO SELECT VALVE ASSEMBLY FOR 3 HP TUBINGS (EXCEPT FOR SYRINGE) | 1 | | |
| | 1P04DYA0 | AUTO SELECT VALVE ASSEMBLY FOR 4 HP TUBINGS (EXCEPT FOR SYRINGE) | | | |
| 17 | 1P053HA0 | MANIFOLD 4P (AU-HV3561) | 1 | | |
| 18 | 1P04AWA0 | MANIFOLD 8P W/ BOWL TYPE | 1 | | |
| 19 | 1P053FA0 | T-JOINT 1/4X3 | 1 | | |
| 20 | 1P07FZA0 | PULL BACK VALVE | 1 | | |
| 21 | 1E04R2A0 | OIL MIST SEPARATOR | 1 | | |
| 22 | ZA114LNU | TRUSS M4X6 SUS | 2 | | |
| 23 | G-00500 | HANDLE (WHITE) | 2 | | |
| 24 | 1A0KN5A0 | STOP BAR | 2 | | |
| 25 | ZA761PSU | HEX SOCKET HEAD SCREW M8X12 SUS | 2 | | |
| 26 | ZB511PAU | SPRING WASHER M8 SUS | 2 | | |
| 27 | 1P053VA0 | SHUTTLE VALVE ASSEMBLY | 1 | | |
| 28 | ZA111JNU | PAN HEAD SCREW M3X6 SUS | 1 | | |
| 29 | AFFS02A0 | HANDPIECE TUBING STRAIGHT 7FT W | 3 | | USA P-N: D432T |
| 30 | 1P053XA0 | NEEDLE VALVE W/ WASHERS FOR WATER | 1 | | |
| 31 | 1P053YA0 | NEEDLE VALVE W/ WASHERS FOR AIR | 1 | | |
| 32 | 1P053ZA0 | NEEDLE VALVE FOR WATER | 3 | | |
| 33 | 1P0540A0 | NEEDLE VALVE FOR AIR | 1 | | |
| 34 | ZA114NNU | TRUSS M5X6 SUS | 1 | | |
| 35 | Q-31130 | NYLON CLAMP (3330 5/8) | 1 | | |
| 36 | 1P053KA0 | MANIFOLD 4P FOR WATER (AU-HV3563) | 1 | | |
| 37 | 1P053JA0 | MANIFOLD 4P FOR AIR (AU-HV3563) | 1 | | |
| 38 | 1P07FYA0 | PULL BACK VALVE WITH BRACKET AND RIVET | 1 | | |
| 39 | AFFS14B0 | 1/4 IN TUBING COLLAR | 6 | | USA P-N: P1062 |
| 40 | AFFS15B0 | 1/8 IN TUBING COLLAR | 6 | | USA P-N: P1061 |
| 41 | 1P057FA0 | CAGE CLAMP ASSEMBLY | 1 | | |

13-3. DOCTOR ARM

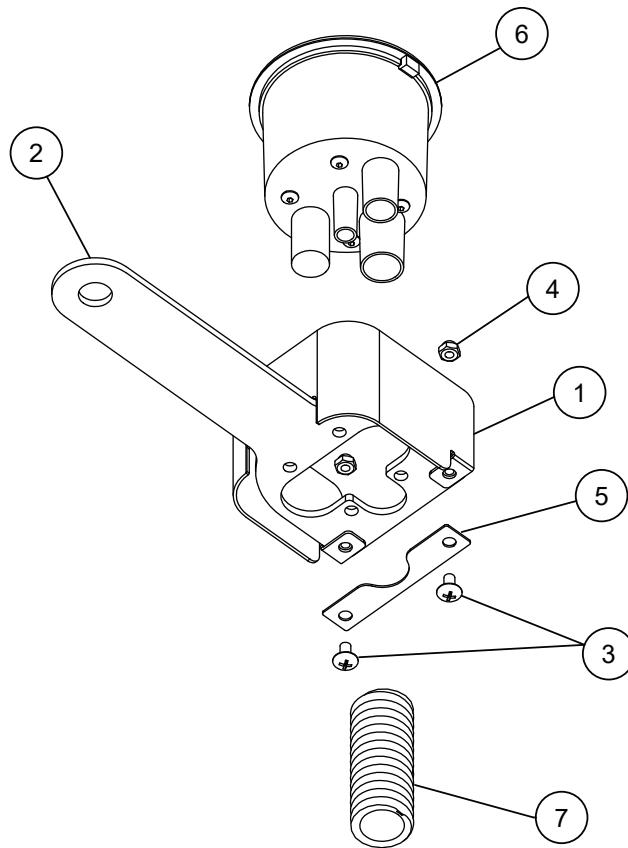


13-4. ASSISTANT ARM



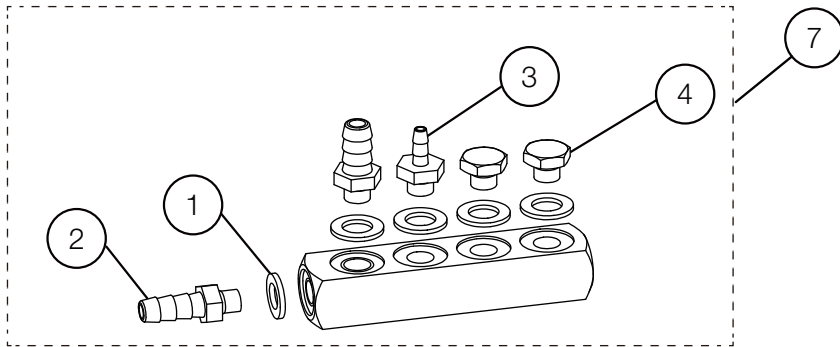
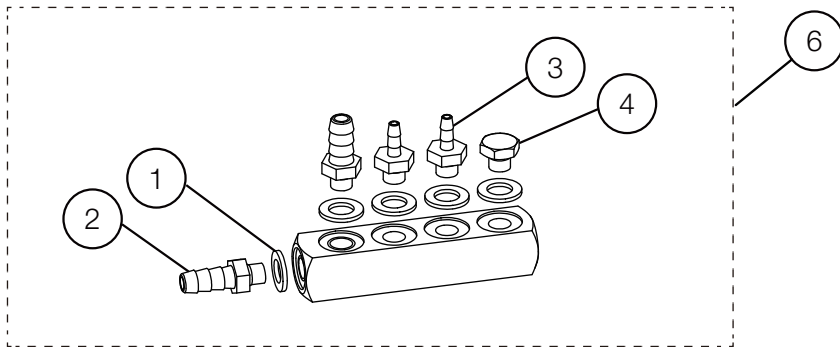
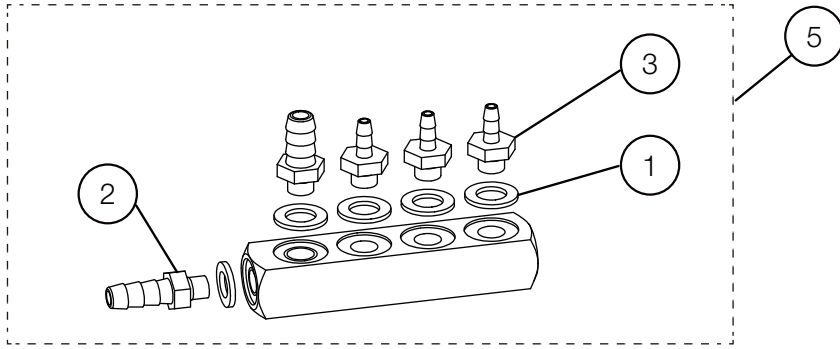
| NO. | PARTS NO. | DESCRIPTION | QTY | APPLICABLE SERIAL NO. | NOTE |
|-----|-----------|---|-------|-----------------------|----------------|
| 1 | 1A0J2YBV | DOCTOR ARM | 1 | | |
| 2 | 1A0J34A0 | HOLDER BAR | 1 | | |
| 3 | ZA114NNU | TRUSS M5X6 SUS | 2 | | |
| 4 | ZA761N#U | HEX SOCKET HEAD CAP BOLT M5 X15 SUS | 2 | | |
| 5 | Q-31130 | NYLON CLAMP (3330 5/8) | 2 | | |
| 6 | AFFX36B0 | HANDPIECE HOLDER | 3 | VW17H0130 | USA P-N: D4579 |
| 7 | 1P053GA0 | FIRST ARM W/BUSH | 1 | | |
| 8 | ZA774OLU | HEX SOCKET SET SCREW (CUP POINT) M6X5 SUS | 2 | | |
| 9 | ZA774NNU | HEX SOCKET SET SCREW (CUP POINT) M5X6 SUS | 1 | | |
| 10 | AERN11A0 | THRUST WASHER (AS1101) | 3 | | |
| 11 | 1E00E5A0 | THRUST BEARING (AXK1101) | 1 | | |
| 12 | AFFX37B0 | SYRINGE HOLDER | 1 | VW17H0130 | USA P-N: D4578 |
| 13 | ZSA11R2U | HEX SOCKET HEAD CAP BOLT M12X40 SUS | 1 | | |
| 14 | 1A0J2ZBV | ASSISTANT ARM | 1 | VW17F0104 | |
| 15 | 1P053GA0 | FIRST ARM W/BUSH | 1 | | |
| 16 | AERN11A0 | THRUST WASHER (AS1101) | 3 | | |
| 17 | 1E00E5A0 | THRUST BEARING (AXK1101) | 1 | | |
| 18 | FASA85D0 | ASSISTANT HOLDER | 1 | | |
| 19 | ZSA11R2U | HEX SOCKET HEAD CAP BOLT M12X40 SUS | 1 | | |
| 20 | ZA774NNU | HEX SOCKET SET SCREW (CUP POINT) M5X6 SUS | 2 | | |
| 21 | ZA774OLU | HEX SOCKET SET SCREW (CUP POINT) M6X5 SUS | 2 | | |
| 22 | 1E02E1A0 | ROUND BELT PHI4 (ORANGE) | 0.01m | | |
| 23 | FJCA14B0 | MAGNET CATCH | 2 | | |
| 24 | ZA88JJNY | PAN HEAD SEMS SCREW 3P M3X6 CHROME | 4 | | |

13-5. VACUUM

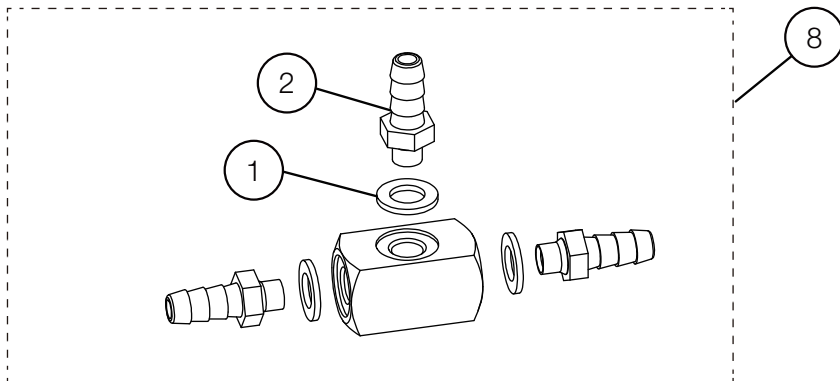


| NO. | PARTS NO. | DESCRIPTION | QTY | APPLICABLE SERIAL NO. | NOTE |
|-----|-----------|------------------------------------|------|-----------------------|----------------|
| 1 | 1A0JF3AV | PLATE VC COVER | 1 | | |
| 2 | 1A0J33BV | VC PLATE | 1 | VW17C0037 | |
| 3 | ZA114LPU | TRUSS M4X8 SUS | 2 | | |
| 4 | ZA831LAU | NUT M4 SUS | 2 | | |
| 5 | 1A0K96AV | VC HOSE CLIP | 1 | | |
| 6 | 1E05A0B0 | VACUUM CANISTER (BOTTOM PORT GRAY) | 1 | VW18D0009 | USA P-N: S1385 |
| 7 | AFFS39A0 | VACUUM HOSE 5/8 SPIROLOCK | 3.5m | | USA P-N: T1746 |

13-6. MANIFOLD 4P



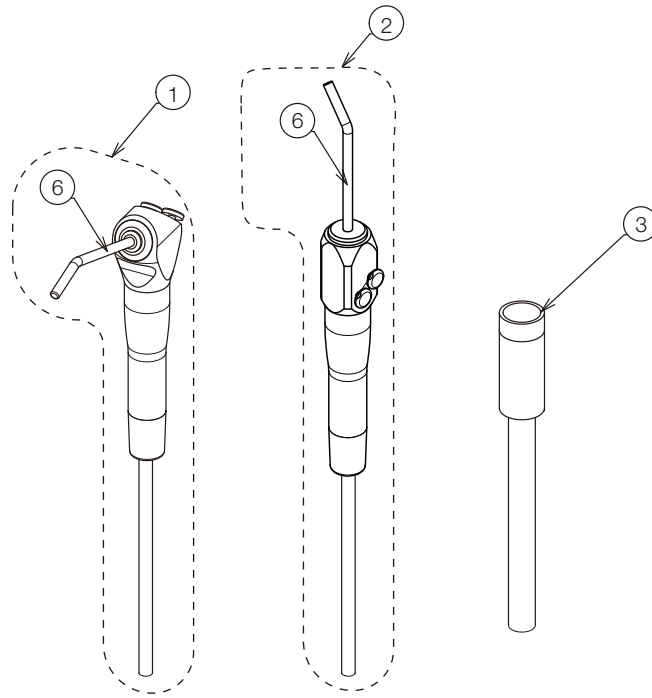
13-7. T-JOINT



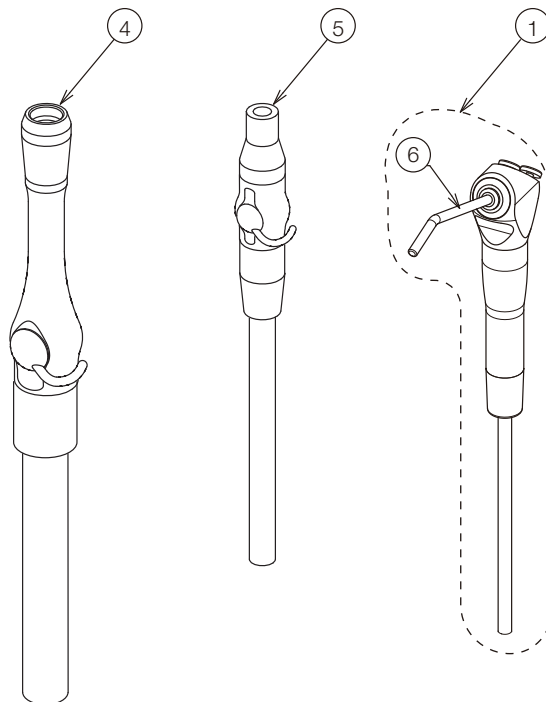
| NO. | ID | PARTS NO. | DESCRIPTION | QTY | APPLICABLE SERIAL NO. | NOTE |
|-----|-----|------------|-----------------------------------|-----|-----------------------|----------------|
| 1 | F24 | - AFFU48A0 | WASHER 10-32(SEAL) | - | | USA P-N: P1055 |
| 2 | F24 | - AFFS05A0 | 1/8 INX10-32 BARB (PLATED) | - | | USA P-N: P1053 |
| 3 | F24 | - AFFS04A0 | 1/16 INX10-32 BARB (PLATED) | - | | USA P-N: P1052 |
| 4 | F24 | - AFFU49A0 | BRASS HEX PLUG 10-32 | - | | USA P-N: P1054 |
| 5 | F22 | - 1P053HA0 | MANIFOLD 4P FOR AIR (AU-HV3561) | 1 | | |
| 6 | F22 | - 1P053JA0 | MANIFOLD 4P FOR AIR (AU-HV3563) | 1 | | |
| 7 | F22 | - 1P053KA0 | MANIFOLD 4P FOR WATER (AU-HV3563) | 1 | | |
| 8 | F22 | - 1P053FA0 | T-JOINT 1/8X3 | 1 | | |

14. HANDPIECE

DOCTOR

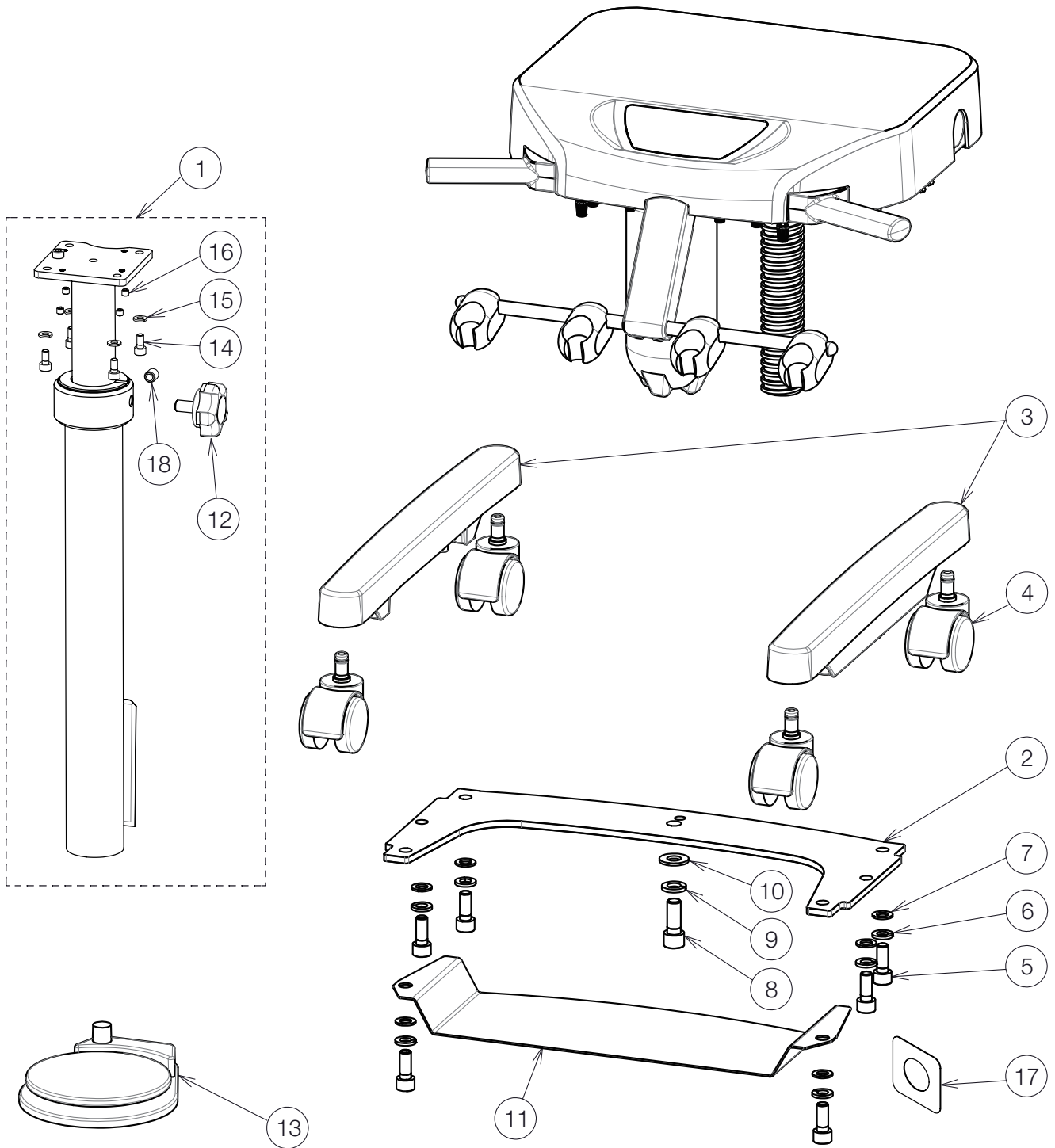


ASSISTANT



| NO. | ID | PARTS NO. | DESCRIPTION | QTY | APPLICABLE SERIAL NO. | NOTE |
|-----|-----|------------|---|-----|-----------------------|-----------------|
| 1 | F24 | - DEQR05A0 | QUICK CLEAN SYRINGE FOR TRADITIONAL DELIVERY WITH 7 FT GRAY TUBING AND REPAIR KIT | - | | USA P-N: D3439 |
| 2 | F24 | - 1E03YRA0 | QUICK CLEAN SYRINGE FOR CONTINENTAL DELIVERY WITH 7 FT GRAY TUBING AND REPAIR KIT | - | | USA P-N: D3459 |
| 3 | F24 | - AFFS02A0 | HANDPIECE TUBING STRAIGHT 7FT W | - | | USA P-N: D432T |
| 4 | F24 | - 1E095SA0 | VACUUM HANDPIECE ASSY (DCI TYPE) | - | | USA P-N: S-1132 |
| 5 | F24 | - 1E095TA0 | SALIVA EJECTOR HANDPIECE ASSY (DCI TYPE) | - | | USA P-N: S-1230 |
| 6 | F23 | - RDIA04A0 | SYRINGE TIP (DCI TYPE) | - | | |

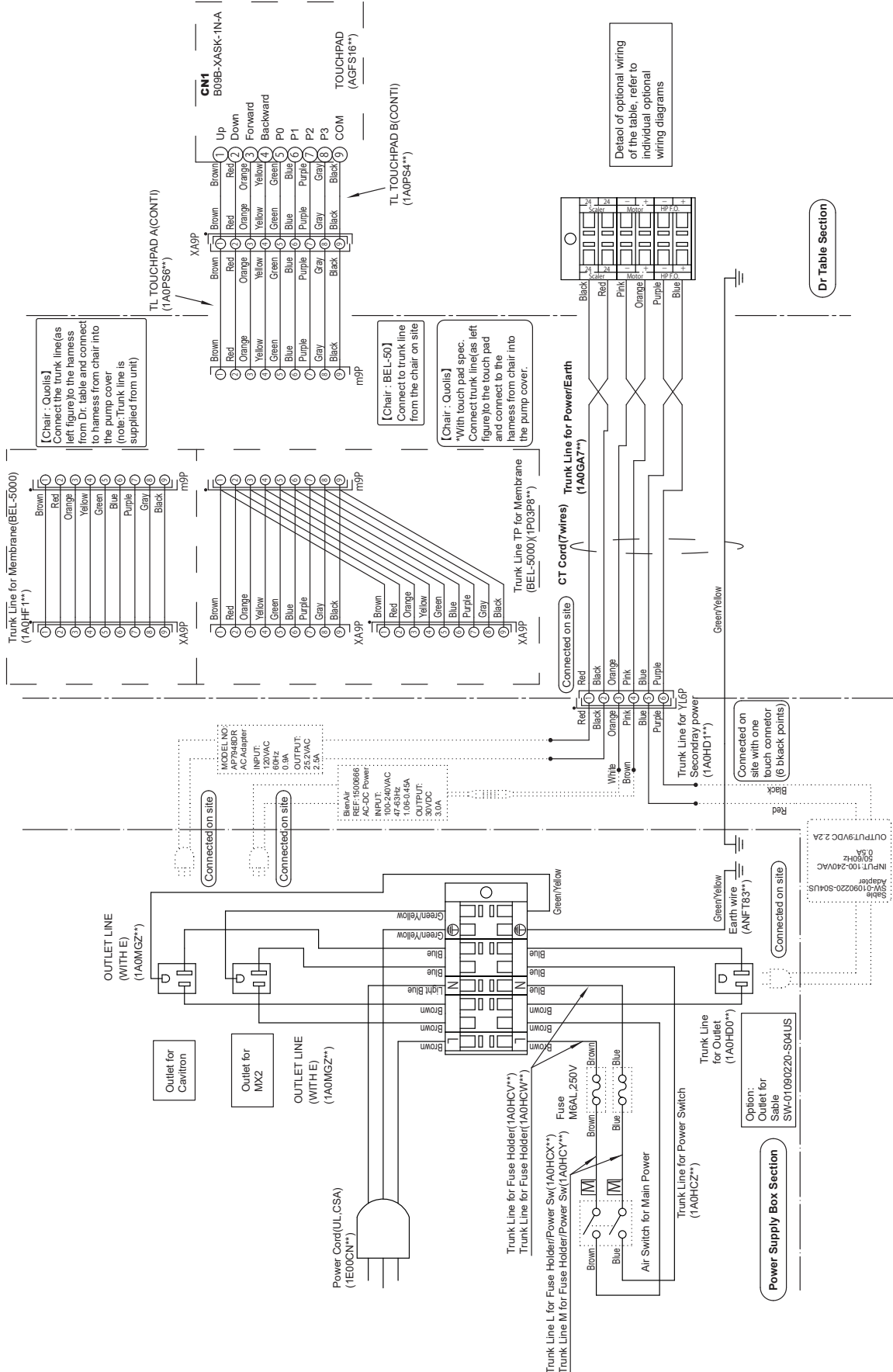
15-1. CART BASE



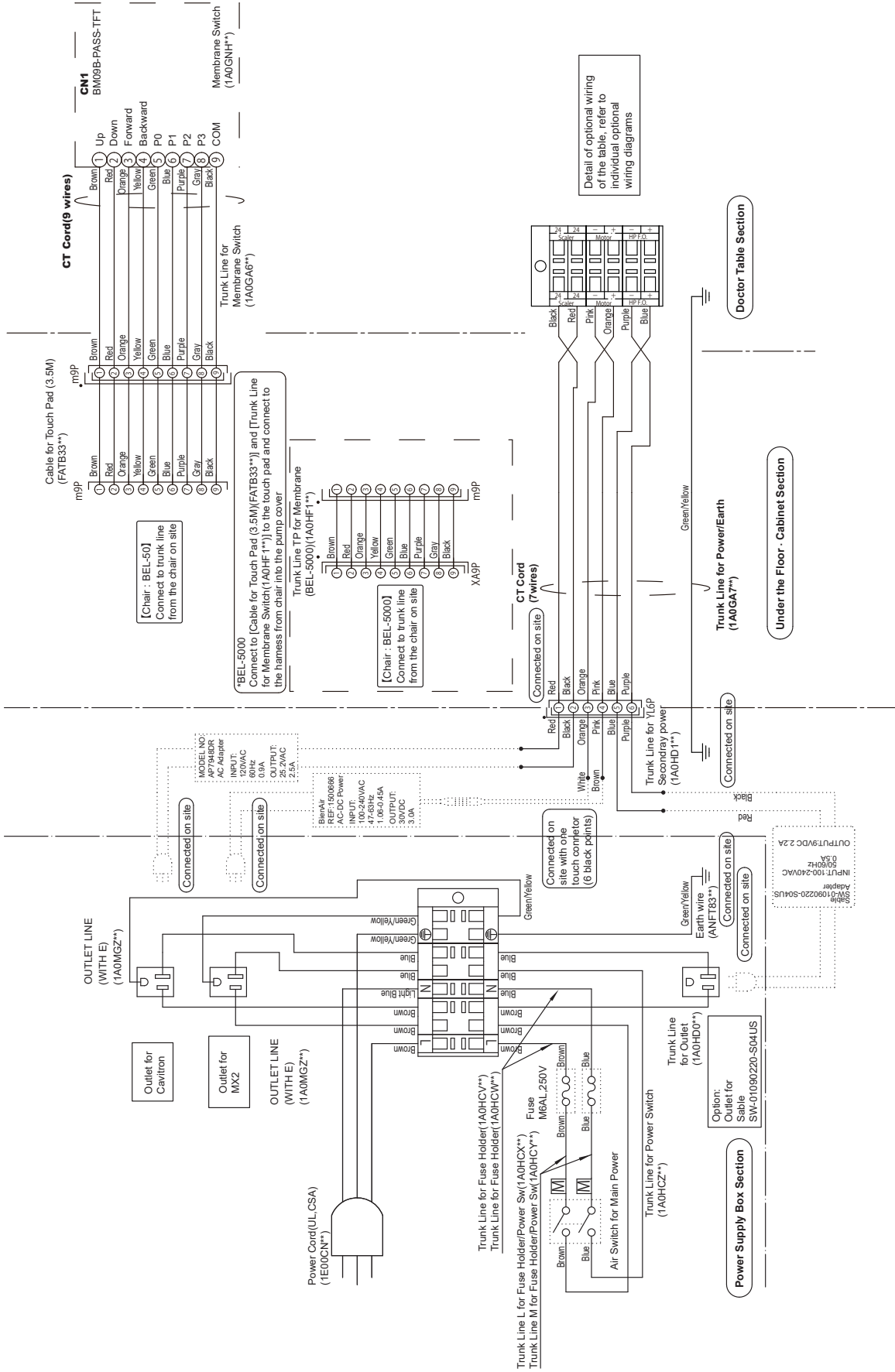
| NO. | ID | PARTS NO. | DESCRIPTION | QTY | APPLICABLE SERIAL NO. | NOTE |
|-----|-----|------------|--|-----|-----------------------|----------------|
| 1 | F22 | - 1P07FWA0 | CART POST ASSEMBLY | 1 | | |
| 2 | F22 | - 1A0Y1ZA0 | BASE PLATE FOR CART | 1 | | |
| 3 | F22 | - 1A0Y20A0 | BASE LEG FOR CART | 2 | | |
| 4 | F23 | - AEFV44B0 | CASTER (GREY) | 4 | | |
| 5 | F23 | - ZA761QYY | HEX SOCKET HEAD SCREW M10X25 CHROME | 6 | | |
| 6 | F23 | - ZB511QAY | SPRING WASHER M10 CHROME | 6 | | |
| 7 | F23 | - 1E00BKA0 | WASHER M10X22X1 CHROME | 6 | | |
| 8 | F23 | - ZA761RZY | HEX SOCKET HEAD SCREW M12X30 CHROME | 1 | | |
| 9 | F23 | - ZB511RAY | SPRING WASHER M12 CHROME | 1 | | |
| 10 | F23 | - 1E015HA0 | WASHER M12X20X1.6 CHROME | 1 | | |
| 11 | F22 | - 1A0Y25A0 | PLATE FOR FOOT CONTROLLER | 1 | | |
| 12 | F22 | - 1P07FXA0 | FITTING KNOB WITH HEX BOLT M10X30 SUS | 1 | | |
| 13 | F24 | - 1E04R1B0 | WET/DRY FOOT CONTROL | 1 | | USA P-N: F1210 |
| 14 | F22 | - ZA761OSU | HEX SOCKET HEAD SCREW M6X12 SUS | 4 | | |
| 15 | F23 | - ZB511OAU | SPRING WASHER M6 SUS | 4 | | |
| 16 | F23 | - ZA774OLU | HEX SOCKET SET SCREW (CUP POINT) M6X5 SUS | 4 | | |
| 17 | F22 | - 1A0Y1YA0 | FIXING PLATE FOR HOSE | 2 | | |
| 18 | F23 | - ZA774QRU | HEX SOCKET SET SCREW(CUP POINT) M10X10 SUS | 1 | | |

| NO. | ID | PARTS NO. | DESCRIPTION | QTY | APPLICABLE SERIAL NO. | NOTE |
|-----|-----|------------|--|------|-----------------------|--------------------------------------|
| 1 | F22 | - 1P07FUA0 | DR. TABLE COVER FOR CART | 1 | | |
| 2 | F22 | - 1A0YF7B0 | PROHIBITED LABEL | 1 | | |
| 3 | F22 | - 1P053SA0 | AUTO SELECT VALVE ASSEMBLY FOR 3 HP TUBINGS (EXCEPT FOR SYRINGE) | 1 | | REFER TO P.10-11 FOR COMPONENT PARTS |
| | F22 | - 1P04DYA0 | AUTO SELECT VALVE ASSEMBLY FOR 4 HP TUBINGS (EXCEPT FOR SYRINGE) | | | |
| 4 | F22 | - 1P07FZA0 | PULL BACK VALVE | 1 | | |
| 5 | F22 | - 1P07FYA0 | PULL BACK VALVE WITH BRACKET AND RIVET | 1 | | |
| 6 | F23 | - ZA114LNU | TRUSS M4X6 SUS | 2 | | |
| 7 | F22 | - 1P04AXA0 | PRESSURE GAUGE ASSEMBLY | 2 | | |
| 8 | F22 | - 1P04AVA0 | MANIFOLD W/O BOWL | 1 | | REFER TO P.12-13 FOR COMPONENT PARTS |
| 9 | F22 | - 1P06GNA0 | TOGGLE VALVE ASSEMBLY (MAIN SWITCH) | 1 | | |
| 10 | F22 | - 1P06GMA0 | TOGGLE VALVE ASSEMBLY (FLUSHOUT, BOWL FLUSH, CUPFILLER) | 1 | | |
| 11 | F22 | - 1P07FVA0 | T-JOINT WITH 1/8 BF, 1/4 BF, PLUG | 1 | | |
| 12 | F22 | - 1P07GCA0 | MINI-AIR REGULATOR WITH 1/8 BARB AND WASHER | 1 | | |
| 13 | F22 | - 1E04R2A0 | OIL-MIST SEPARATOR | 1 | | |
| 14 | F24 | - AFFW92A0 | WATER BOTTLE HEAD | 1 | | |
| 15 | F22 | - 1P057FA0 | CAGE CLAMP ASSEMBLY | 1 | | |
| 16 | F24 | - AFFS27A0 | H2O QUICK DISCONNECT 1/4 IN YELLOW | 1 | | USA P-N: P1075YEL |
| 17 | F22 | - 1P06GPA0 | SHUTTLE VALVE ASSEMBLY | 1 | | |
| 18 | F22 | - 1A0GNBAV | TABLE HANDLE | 2 | | |
| 19 | F22 | - 1P04B0A0 | HP HOLDER ASSEMBLY | 1 | | REFER TO P.8-9 FOR COMPONENT PARTS |
| 20 | F24 | - AFFS19A0 | 10-32 1/2 SCREW SUS | 2 | | USA P-N: RF-2010 |
| 21 | F22 | - 1P04AYA0 | NEEDLE VALVE ASSEMBLY | 6 | | |
| 22 | F23 | - FJLA14A0 | NEEDLE VALVE KNOB | 6 | | |
| 23 | F23 | - FJLA16A0 | CAP FOR KNOB (YELLOW) | 2 | | |
| 24 | F23 | - FJLA15A0 | CAP FOR KNOB (BLUE) | 4 | | |
| 25 | F23 | - FAME17A0 | CLAMP FOR UMBILICAL HOSE | 2 | | |
| 26 | F23 | - DESR37A0 | UMBILICAL HOSE | 2.3M | | |
| 27 | F22 | - 1A0RF6B0 | KNURLED SCREW M5X7 | 4 | | |
| 28 | F22 | - 1E071CA0 | PLASTIC WASHER M6/M5 | 4 | | |
| 29 | F24 | - AFFW91A0 | 1/16 IN BARB TEE PLATED | 1 | | USA P-N: P1875 |
| 30 | F23 | - X-50540 | NYLON CLAMP 3/4 | 2 | | |
| 31 | F23 | - DEBR42A0 | NYLON CLAMP 1-1/4 | 2 | | |
| 32 | F23 | - ZA114NNU | TRUSS M5X6 SUS | 6 | | |
| 33 | F23 | - ZA887NXY | PAN HEAD SEMS SCREW 2P M5X22 CHROME | 2 | | |
| 34 | F23 | - ZA761NSU | HEX SOCKET HEAD SCREW M5X12 SUS | 3 | | |
| 35 | F23 | - ZA88JLPU | PAN HEAD SCREW M4X8 SUS | 1 | | |
| 36 | F23 | - ZB552LAU | EXTERNAL TOOTH WASHER M4 SUS | 1 | | |
| 37 | F24 | - 1P04B2A0 | NEEDLE VALVE ASSEMBLY | 1 | | USA P-N: V1511G |
| 38 | F24 | - AFFS26A0 | H2O QUICK DISCONNECT 1/4 IN BLUE | 1 | | USA P-N: P1075BLU |

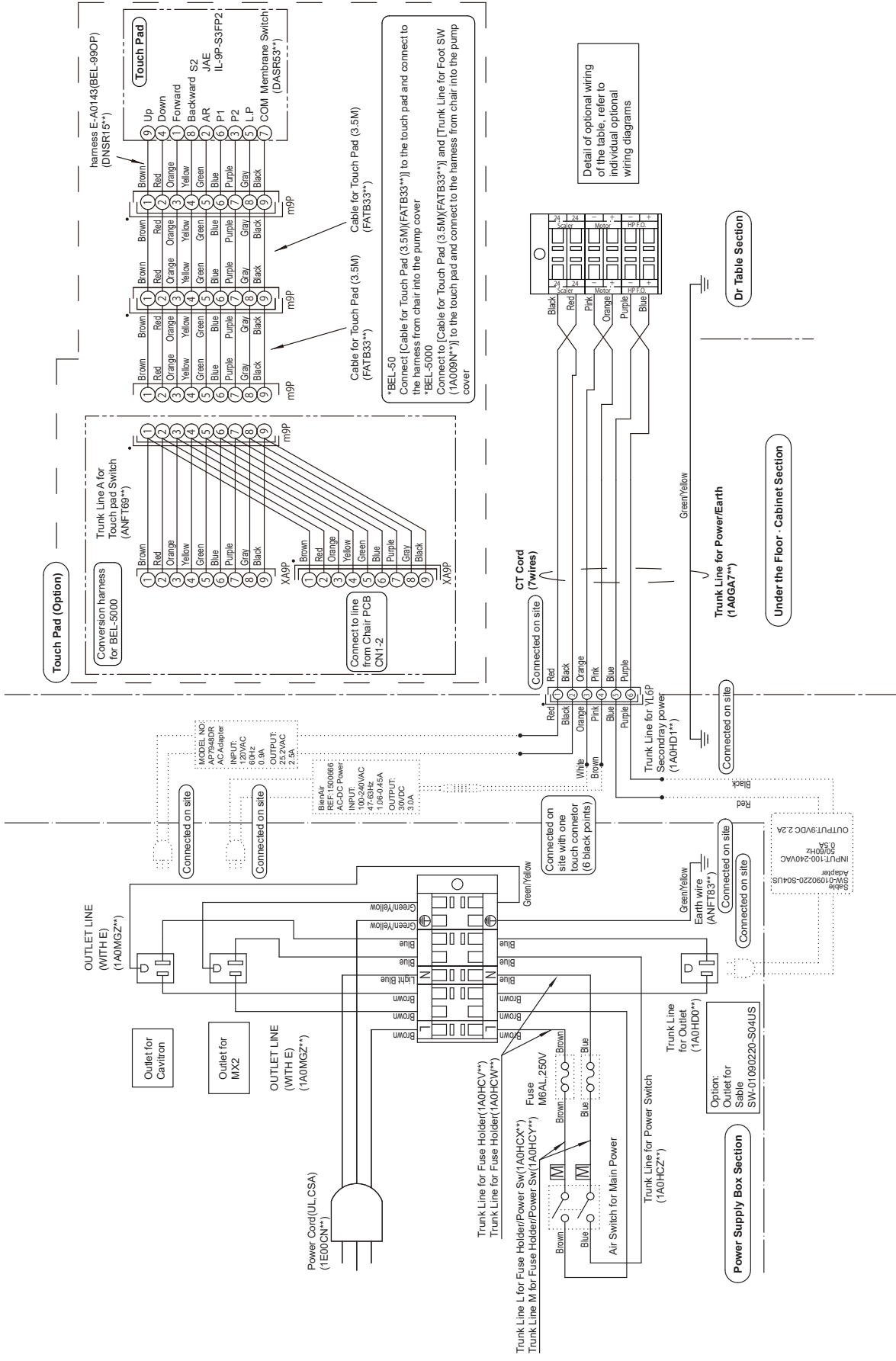
2. AU-HV3808 SWING MOUNTED DELIVERY SYSTEM WITH CONTINENTAL TYPE BEL-50 CHAIR / Q5000 / Q5500 / Q3300



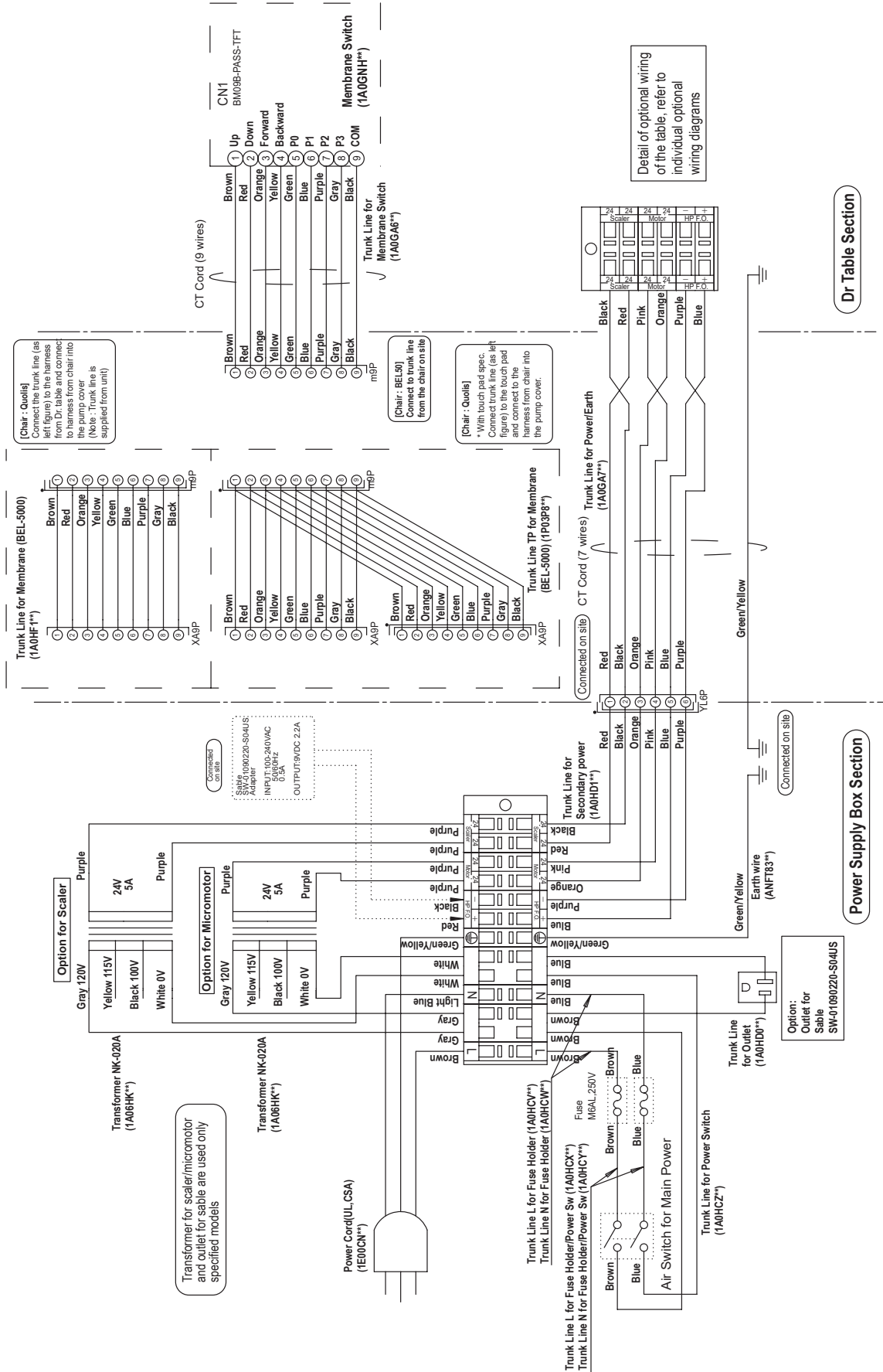
7. AU-HV3808 SIDE DELIVERY SYSTEM WITH BEL-50 CHAIR / Q5000 / Q5500 / Q3300



8. AU-HV3808 REAR DELIVERY SYSTEM WITH BEL-50 CHAIR / Q5000 / Q5500 / Q3300



12. AU-HV3801~3807 MICROMOTOR



REVISION RECORD

| DATE | | CONTENT |
|-----------|----------|---|
| 3-Jun-21 | 1E05G3HE | Publish |
| 1-Feb-23 | 1E05G3JE | Add AU-HV3401W, 3950Q, Handpiece, Monitor bracket, Wiring diagram, and regularly update |
| 26-Jun-23 | 1E05G3KE | Add CART spec. and regularly update |
| | | |
| | | |



Importer in U.S.A.

BELMONT EQUIPMENT,

Division of Takara Belmont USA, Inc.

101 Belmont Drive, Somerset, New Jersey 08873 U.S.A.

TEL.: (732) 469-5000 / (800) 223-1192

FAX.: (732) 356-1035

Importer in Canada

TAKARA COMPANY, CANADA, LTD.

2455 Meadowvale Blvd. Mississauga, Ontario L5N 5S2, Canada

TEL : (905) 816-8965

www.belmont.ca

BELMONT MANUFACTURING CO., LTD.
(Manufacturer)



Lot I-2, Long Duc Industrial Park, Long Duc Ward,

Long Thanh District, Dong Nai Province, Vietnam

TEL.: +84-2513-201-100 / FAX.: +84-2513-201-096