

EVOGUE
PARTS LIST

TABLE OF CONTENTS

	PAGE
1. DOCTOR TABLE SECTION, TRADITIONAL CHAIR MOUNTED DELIVERY STYLE (AU-HV3070DX)(AU-HV3000D/3010D)	
1-1 . DOCTOR TABLE -----	6
1-2 . HOLDER -----	8
1-3 . AUTO SELECT VALVE -----	10
1-4 . AIR MANIFOLD 8P -----	12
1-5 . AIR MANIFOLD -----	12
2. DOCTOR TABLE SECTION, CONTINENTAL CHAIR MOUNTED DELIVERY STYLE (AU-HV3080DX)(AU-HV3020D)	
2-1 . COVER PARTS -----	14
2-2 . ROD ARM PARTS -----	16
2-3 . TABLE ASSY. -----	16
2-4 . TABLE INTERNAL PARTS -----	18
2-5 . ROD STRUCTURE PARTS -----	20
2-6 . CONTROL PARTS -----	22
2-7 . ROD COMPONENT -----	24
2-8 . ROD ADDITIONAL HP -----	26
2-9 . SUB TRAY PARTS -----	28
2-10 . TABLE INTERNAL PARTS -----	30
3. BALANCE ARM	
3-1 . BALANCE ARM FOR TRADITIONAL CHAIR MOUNTED DELIVERY STYLE -----	32
3-2 . BALANCE ARM FOR CONTINENTAL CHAIR MOUNTED DELIVERY STYLE-----	34
4. SWING ARMS FOR Q5000/Q5500/Q3300	
4-1 . DR. SWING ARM & LIGHT SWING ARM ASSY. (AU-HV3370SQ) -----	36
4-2 . DR. SWING ARM (AU-HV3375SQ) -----	38
4-3 . LIGHT SWING ARM (AU-HV3330SQ) -----	40
4-4 . MONITOR SWING ARM (AU-HV3390MS) -----	42
5. SWING ARMS FOR X-CALIBUR V	
5-1 . DR. SWING ARM & LIGHT SWING ARM ASSY. (AU-HV3270SX) -----	44
5-2 . DR. SWING ARM (AU-HV3275SX) -----	46

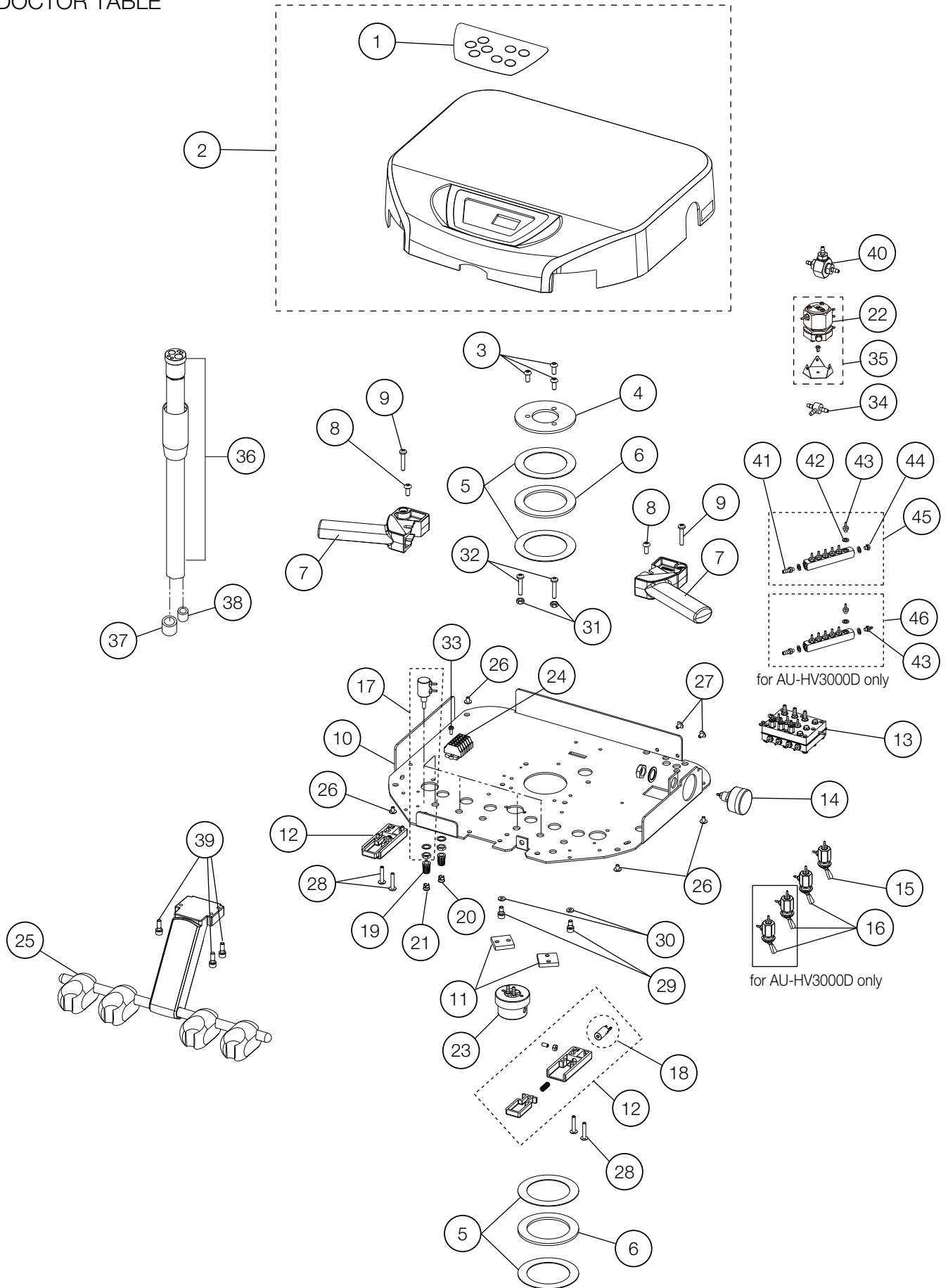
TABLE OF CONTENTS

	PAGE
5-3 . LIGHT SWING ARM (AU-HV3230SX) -----	48
5-4 . MONITOR SWING ARM (AU-HV3290MSX) -----	50
5-5 . MONITOR SWING ARM W/O BRACKET (AU-HV3289MSX) -----	50
6. ASSISTANT INSTRUMENT VAC PAC, SWING TYPE	
6-1 . VAC PACS (AU-HV3410/3400/3401W) -----	52
7. PMU	
7-1 . PMU ASSY. 1 -----	54
7-2 . PMU ASSY. 2 -----	56
7-3 . PMU BOWL ASSY. -----	58
7-4 . FRONT COVER -----	60
7-5 . PMU ASSISTANT -----	62
8. CURVED LIGHT POST ASSY. AND MONITOR BRACKET FOR PMU	
8-1 . LIGHT POST ASSY. (AU-HV3908) -----	64
8-2 . MONITOR BRACKET -----	66
9. PMU CHAIR MOUNTING BRACKET	
9-1 . PMU CHAIR BRACKET FOR Q5000/Q5500/Q3300 (AU-HV3902) -----	68
9-2 . PMU CHAIR BRACKET FOR PRO II (AU-HV3901) -----	70
9-3 . PMU CHAIR BRACKET FOR X-CALIBUR V / PRO III (AU-HV3901N) -----	70
10. JUNCTION BOX FOR Q5000/Q5500/Q3300 (AU-HV3950/3950Q)-----	72
11. AIR ACTIVATED POWER SUPPLY BOX FOR MOTOR/SCALER/F.O.	
11-1 . POWER SUPPLY BOX FOR DR. TABLE ACCESSORIES (AU-HV3808)-----	74
11-2 . OLD STYLE POWER SUPPLY BOX FOR DR. TABLE ACCESSORIES (AU-HV3807) -----	76
12. CABINET MOUNTED SIDE DELIVERY (AU-HV3055D)	
12-1 . SIDE DELIVERY -----	78
12-2 . DOCTOR TABLE -----	80
12-3 . BALANCE ARM -----	82
12-4 MOUNTING BRACKET -----	84
12-5 WATER BOTTLE BRACKET -----	86

TABLE OF CONTENTS

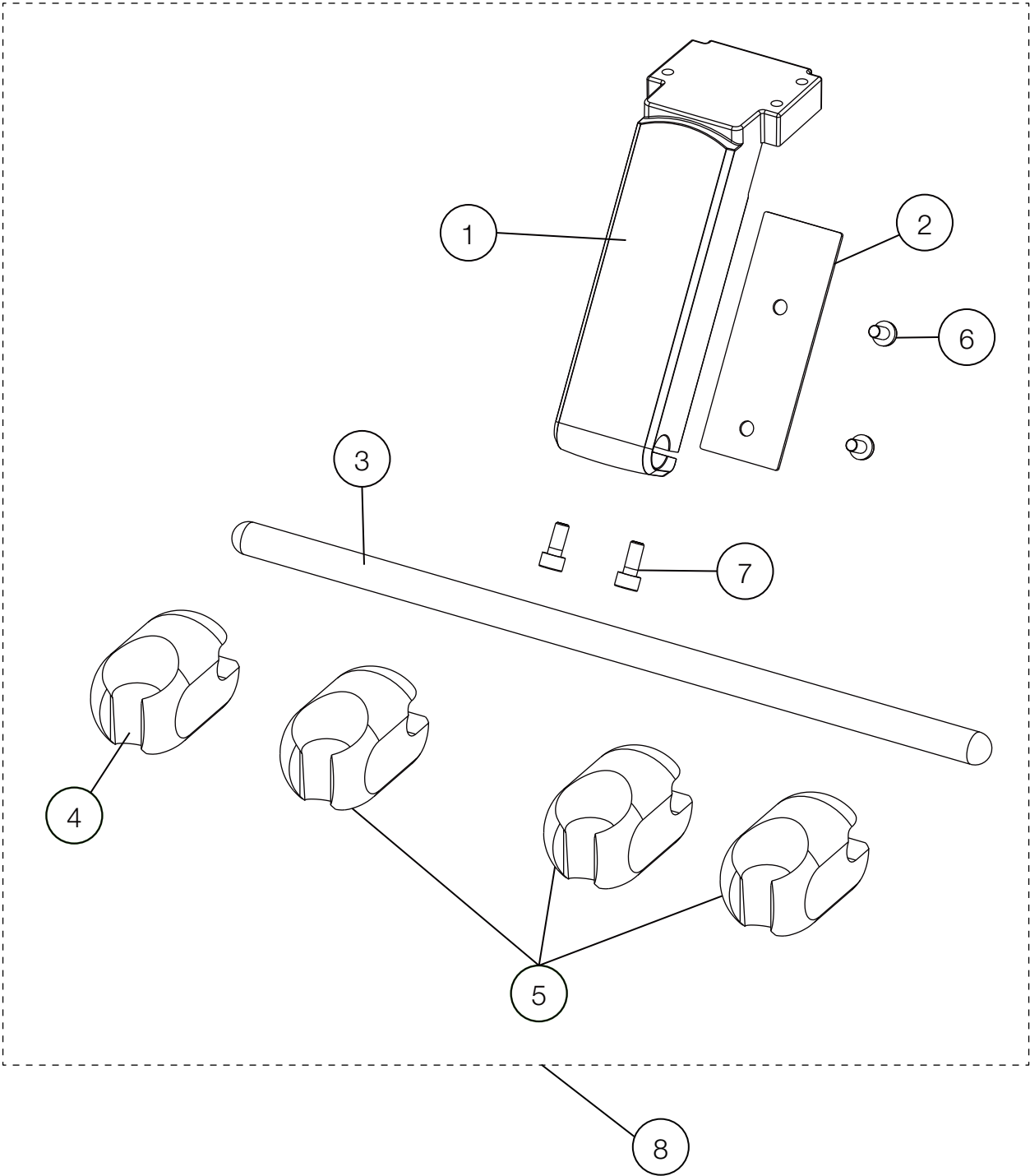
	PAGE
13. CABINET MOUNTED REAR DELIVERY(AU-HV3561/3563)	
13-1 . REAR DELIVERY -----	88
13-2 . DOCTOR TABLE -----	90
13-3 . DOCTOR ARM -----	92
13-4 . ASSISTANT ARM -----	92
13-5 . VACUUM -----	94
13-6 . MANIFOLD 4P -----	96
13-7 . T-JOINT -----	96
14. CART(AU-HV3600)	
15-1 . CART BASE -----	98
15-2 . DOCTOR TABLE -----	100
15. HANDPIECE -----	102
16. ACCESSORY -----	104
WIRING DIAGRAM *Q5500: Quolis Chair (Model Q5500), Q3300: Evogue Chair (Model Q3300), Q5000: Quolis 5000 Chair (Model Q5000)	
1 . AU-HV3808 SWING MOUNTED DELIVERY SYSTEM WITH X-CALIBUR V / Q5000 / Q5500 / Q3300 -----	106
2 . AU-HV3808 SWING MOUNTED DELIVERY SYSTEM WITH CONTINENTAL TYPE X-CALIBUR V / Q5000 / Q5500 / Q3300 -----	107
3 . AU-HV3808 PMU MOUNTED DELIVERY SYSTEM WITH Q5000 / Q5500 / Q3300 -----	108
4 . AU-HV3808 PMU MOUNTED DELIVERY SYSTEM WITH CONTINENTAL TYPE Q5000 / Q5500 / Q3300 -----	109
5 . AU-HV3808 PMU MOUNTED DELIVERY SYSTEM WITH X-CALIBUR V -----	110
6 . AU-HV3808 PMU MOUNTED DELIVERY SYSTEM WITH CONTINENTAL TYPE X-CALIBUR V -----	111
7 . AU-HV3808 SIDE DELIVERY SYSTEM WITH X-CALIBUR V / Q5000 / Q5500 / Q3300 -----	112
8 . AU-HV3808 REAR DELIVERY SYSTEM WITH X-CALIBUR V / Q5000 / Q5500 / Q3300 -----	113
9 . AU-HV3808 CART DELIVERY SYSTEM WITH X-CALIBUR V / Q5000 / Q5500 / Q3300 -----	114
10 . AU-HV3801~3807 PMU MOUNTED DELIVERY SYSTEM WITH Q5000 -----	115
11 . AU-HV3801~3807 PMU MOUNTED DELIVERY SYSTEM WITH X-CALIBUR V -----	116
12 . AU-HV3801~3807 MICROMOTOR -----	117

DOCTOR TABLE



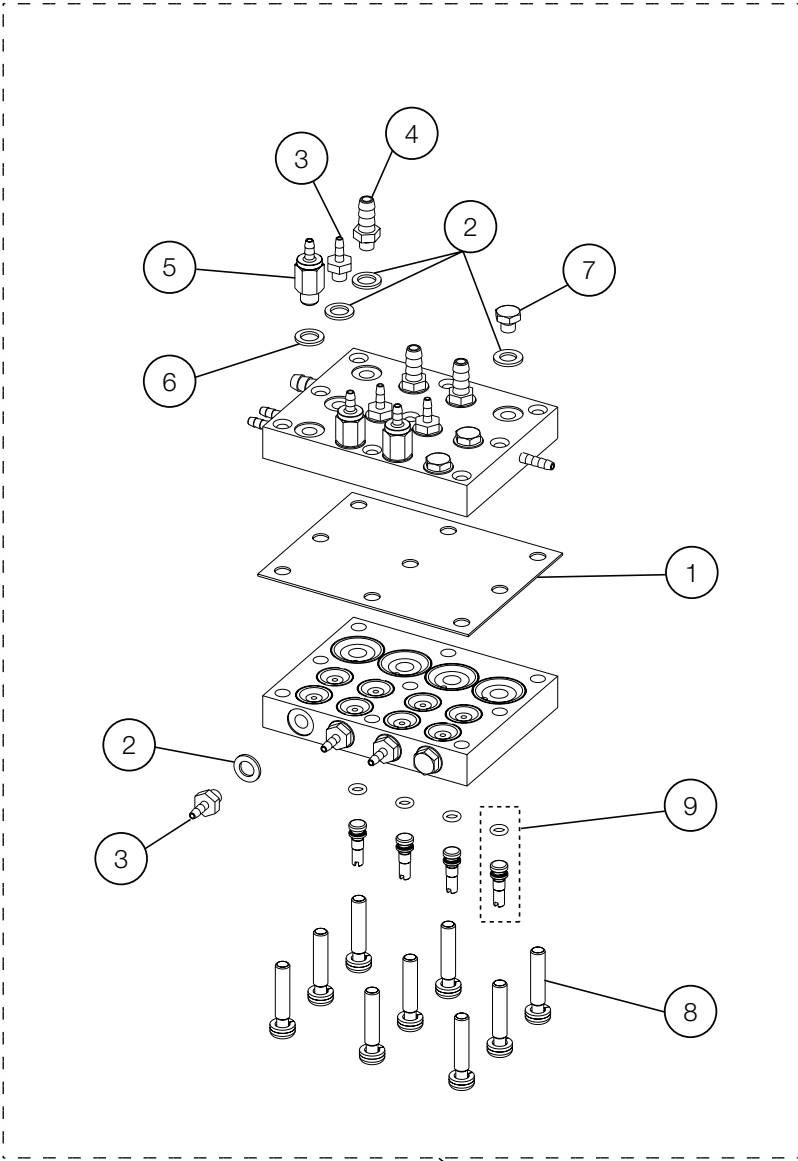
NO.	PARTS NO.	DESCRIPTION	QTY	APPLICABLE SERIAL NO.	NOTE
1	1A0GNHA0	MEMBRANE SWITCH	1		
2	1P0458A0	TABLE TOP W/MEMBRANE SWITCH	1		
3	ZSA11NSU	HEX BUTTON HEAD SCREW M5X12 SUS	3		
4	AAFT80A0	TABLE FIXING WASHER	1		
5	AFFR96A0	THRUST WASHER (AS-1111)	4		
6	AFFR95A0	THRUST BEARING (AXK1111)	2		
7	1A0GNBAV	TABLE HANDLE	2		
8	ZA114NNU	TRUSS M5X6 SUS	2		
9	ZA887NXY	PAN HEAD SEMS SCREW 2P M5X22 CHROME	2		
10	1A0GN4AV	V TABLE CHASSIS	1		
11	AAFT74A0	TABLE ROTATION BRAKE	2		
12	1P045AA0	AIR BRAKE ASSEMBLY	2		
13	1P053SA0	AUTO SELECT VALVE ASSEMBLY FOR 3 HP TUBINGS (EXCEPT FOR SYRINGE)	1		
	1P04DYA0	AUTO SELECT VALVE ASSEMBLY FOR 4 HP TUBINGS (EXCEPT FOR SYRINGE)			
14	1P04AXA0	PRESSURE GAUGE ASSEMBLY	1		
15	1P06GNA0	TOGGLE VALVE ASSEMBLY (MAIN SWITCH)	1		
16	1P06GMA0	TOGGLE VALVE ASSEMBLY (FLUSHOUT, BOWL FLUSH, CUPFILLER)	1,3		
17	1P04AYA0	NEEDLE VALVE ASSEMBLY (WATER)	5		
18	1P04AUA0	PILOT VALVE ASSEMBLY (AIR BRAKE)	1		
19	FJLA14A0	NEEDLE VALVE KNOB	6		
20	FJLA15A0	CAP FOR KNOB (BLUE)	4		
21	FJLA16A0	CAP FOR KNOB (YELLOW)	2		
22	1P07FZA0	PULL BACK VALVE	1		
23	1E04R2A0	OIL-MIST SEPARATOR	1		
24	1P057FA0	CAGE CLAMP ASSEMBLY	1		
25	1P04B0A0	HP HOLDER ASSEMBLY	1		
26	ZA114NNU	TRUSS M5X6 SUS	4		
27	ZA114LNU	TRUSS M4X6 SUS	2		
28	ZA111LWU	PAN HEAD SCREW M4X20 SUS	4		
29	ZA761NLG	HEX SOCKET HEAD SCREW M5x5 BLACK	2		
30	ZB511NAU	SPRING WASHER M5	2		
31	ZA812NAY	NUT M5 CHROME	2		
32	ZA887NXY	PAN HEAD SEMS SCREW 2P M5X22 CHROME	2		
33	ZA111JNU	PAN HEAD SCREW M3X6 SUS	1		
34	AFFW91A0	1/16 IN BARB TEE PLATED	3		USA P-N: P1875
35	1P07FYA0	PULL BACK VALVE WITH BRACKET AND RIVET	1		
36	AFFS02A0	HANDPIECE TUBING STRAIGHT 7FT W	3		USA P-N: D432T
37	AFFS14B0	1/4 IN TUBING COLLAR	3		USA P-N: P1062
38	AFFS15B0	1/8 IN TUBING COLLAR	6		USA P-N: P1061
39	ZA761NSU	HEX SOCKET HEAD SCREW M5X12 SUS	3		
40	1P06GPA0	SHUTTLE VALVE ASSEMBLY	1		
41	AFFS05A0	1/8 INX10-32 BARB (PLATED)	1		USA P-N: P1053
42	AFFU48A0	WASHER 10-32(SEAL)	8		USA P-N: P1055
43	AFFS04A0	1/16 INX10-32 BARB (PLATED)	6		USA P-N: P1052
44	AFFU49A0	BRASS HEX PLUG 10-32	1		USA P-N: P1054
45	1P04AVA0	MANIFOLD W/O BOWL	1		
46	1P04AWA0	MANIFOLD W/BOWL	1		

HOLDER



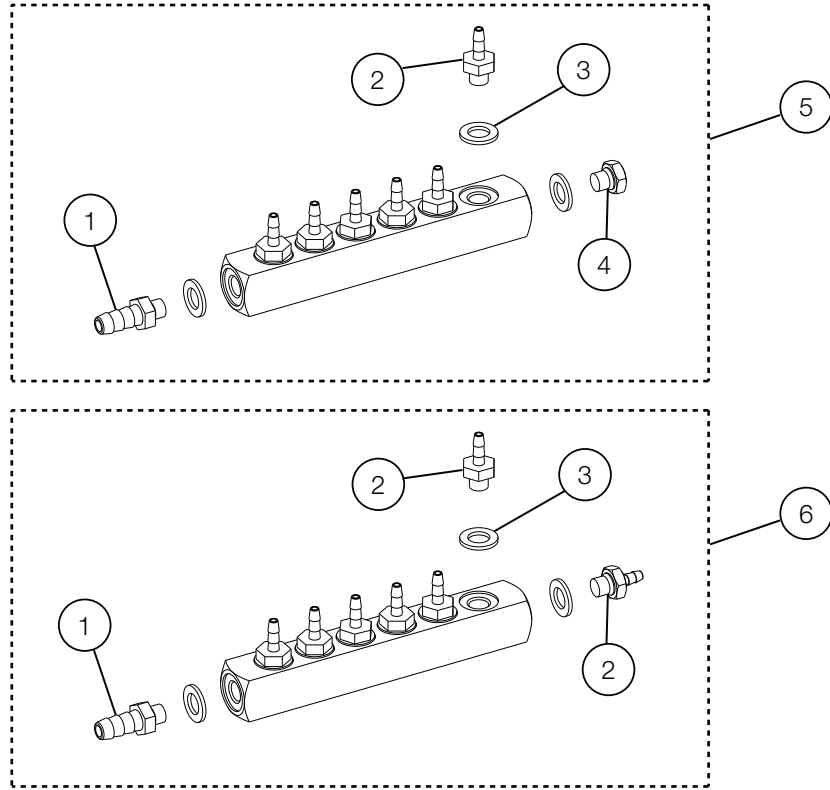
NO.	PARTS NO.	DESCRIPTION	QTY	APPLICABLE SERIAL NO.	NOTE
1	1A0GNEBV	HOLDER BRACKET	1		
2	1A0GN3AV	HOLDER BRACKET COVER	1		
3	1A0GTNA0	HOLDER BAR	1		
4	AFFX37B0	SYRINGE HOLDER	1	VW17H0130	USA P-N: D4579
5	AFFX36B0	HANDPIECE HOLDER	3	VW17H0130	USA P-N: D4578
6	ZA114NNU	TRUSS M5X6 SUS	2		
7	ZA761NSU	HEX SOCKET HEAD SCREW M5X12 SUS	2		
8	1P04B0A0	HP HOLDER ASSEMBLY	1		

AUTO SELECT VALVE

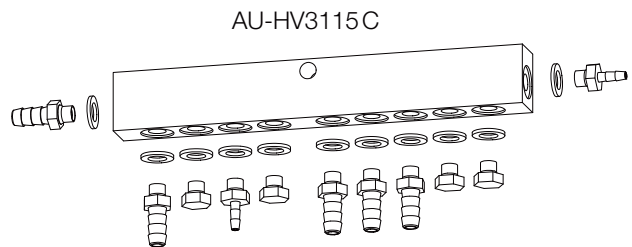
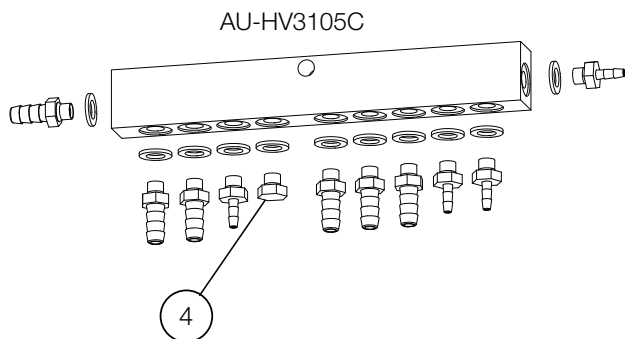
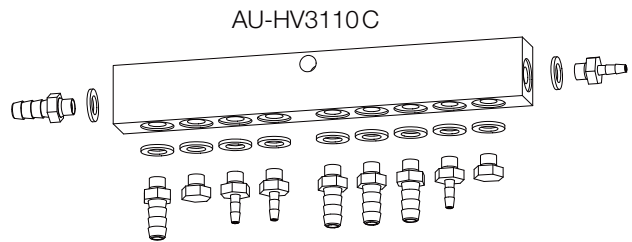
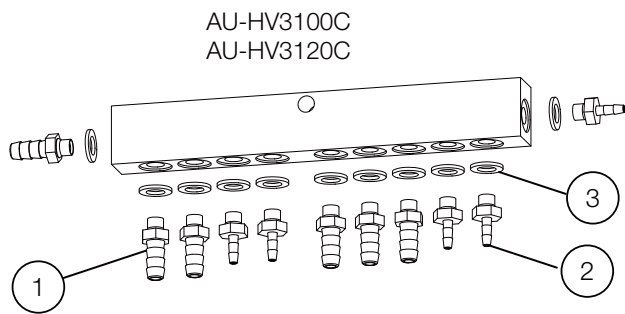


NO.	PARTS NO.	DESCRIPTION	QTY	APPLICABLE SERIAL NO.	NOTE
1	FATA08E0	AUTO-SELECT VALVE DIAPHRAGM (BG)	1	VW150001	
2	AFFU48A0	WASHER 10-32(SEAL)	13		USA P-N: P1055
3	AFFS04A0	1/16 INX10-32 BARB (PLATED)	7		USA P-N: P1052
4	AFFS05A0	1/8 INX10-32 BARB (PLATED)	3		USA P-N: P1053
5	FGMA56D0	CHECK VALVE TYPE-1 M5	3		
6	FALC13A0	JOINT SEAL	3		
7	AFFU49A0	BRASS HEX PLUG 10-32	3		USA P-N: P1054
8	ZA111LWU	PAN HEAD SCREW M4X20 SUS	9		
9	1P06HZA0	DRIVE AIR ADJUSTMENT SCREW	4		
10	1P053SA0	AUTO SELECT VALVE ASSEMBLY FOR 3 HP TUBINGS (EXCEPT FOR SYRINGE)	1		FOR TRADITIONAL DELIVERY
	1P04DYA0	AUTO SELECT VALVE ASSEMBLY FOR 4 HP TUBINGS (EXCEPT FOR SYRINGE)			
	1P07H7A0	AUTO SELECT VALVE ASSEMBLY FOR 3 HP TUBINGS (EXCEPT FOR SYRINGE)			FOR CONTINENTAL DELIVERY
	1P07H8A0	AUTO SELECT VALVE ASSEMBLY FOR 4 HP TUBINGS (EXCEPT FOR SYRINGE)			

AIR MANIFOLD 8P

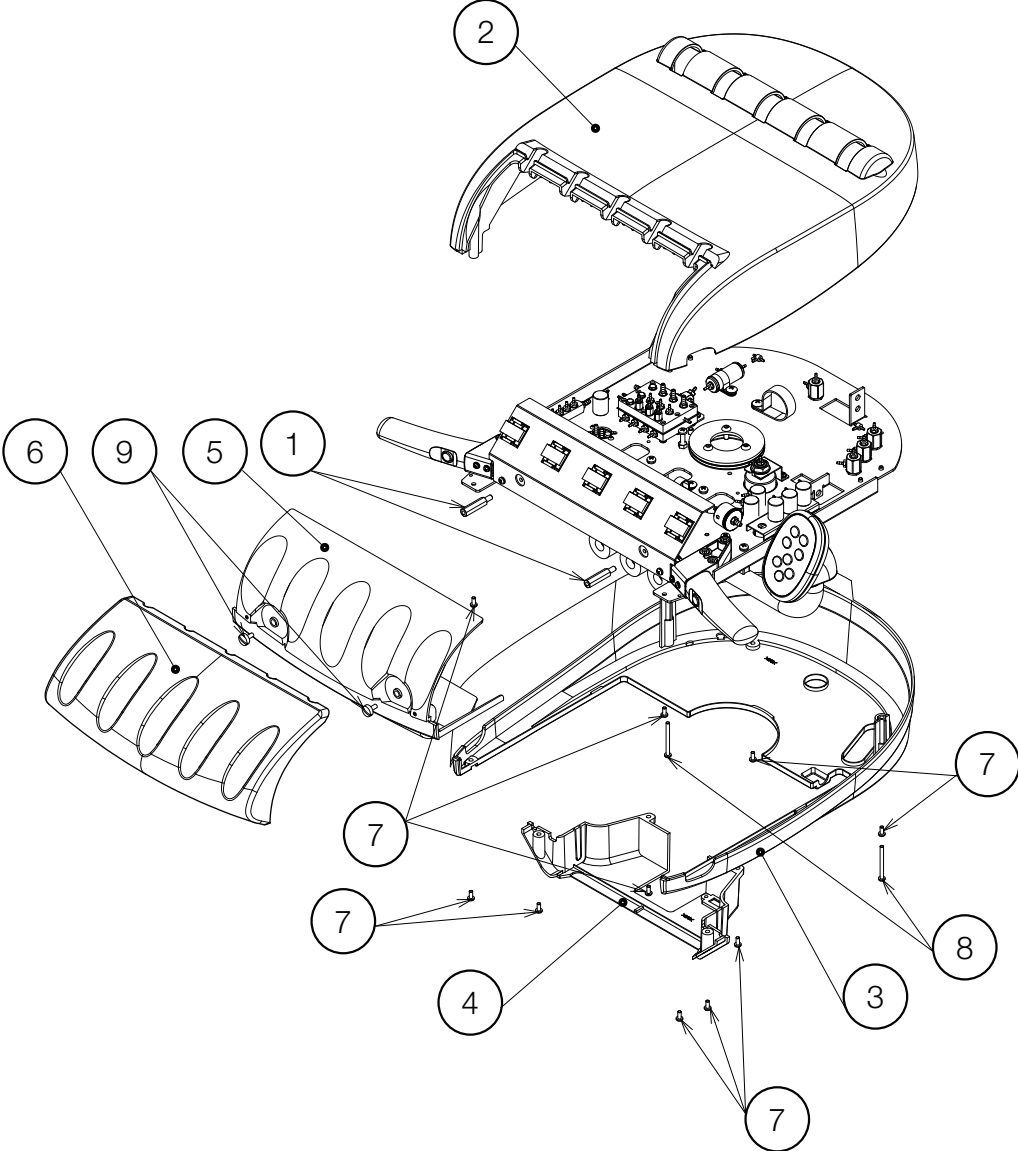


AIR MANIFOLD



NO.	PARTS NO.	DESCRIPTION	QTY	APPLICABLE SERIAL NO.	NOTE
1	AFFS05A0	1/8 INX10-32 BARB (PLATED)	-		USA P-N: P1053
2	AFFS04A0	1/16 INX10-32 BARB (PLATED)	-		USA P-N: P1052
3	AFFU48A0	WASHER 10-32 (SEAL)	-		USA P-N: P1055
4	AFFU49A0	BRASS HEX PLUG 10-32	-		USA P-N: P1054
5	1P04AVA0	MANIFOLD W/O BOWL	1		
6	1P04AWA0	MANIFOLD W/ BOWL	1		

COVER PARTS



NO.	PARTS NO.	DESCRIPTION	QTY	APPLICABLE SERIAL NO.	NOTE
1	1E06CUA0	HEX SPACER BSB-530E	2		
2	1A0MYTB0	ROD TABLE COVER(T) E	1		
3	1A0MYPA0	ROD TABLE COVER(U)	1		
4	1A0MYQA0	ROD HOSE COVER(R)	1		
5	1A0MYRA0	ROD HOSE COVER(F)	1		
6	1A0MYSC0	ROD HP REST	1	VW21C0162	
7	ZA111LPU	PAN HEAD SCREW M4x8 SUS	10		
8	ZA111L2Y	PAN HEAD SCREW M4x40 CHROME	2		
9	AEFY91A0	STRAIGHT SLOT KNURLED HEAD SCREW M5X10	2		

ROD ARM PARTS

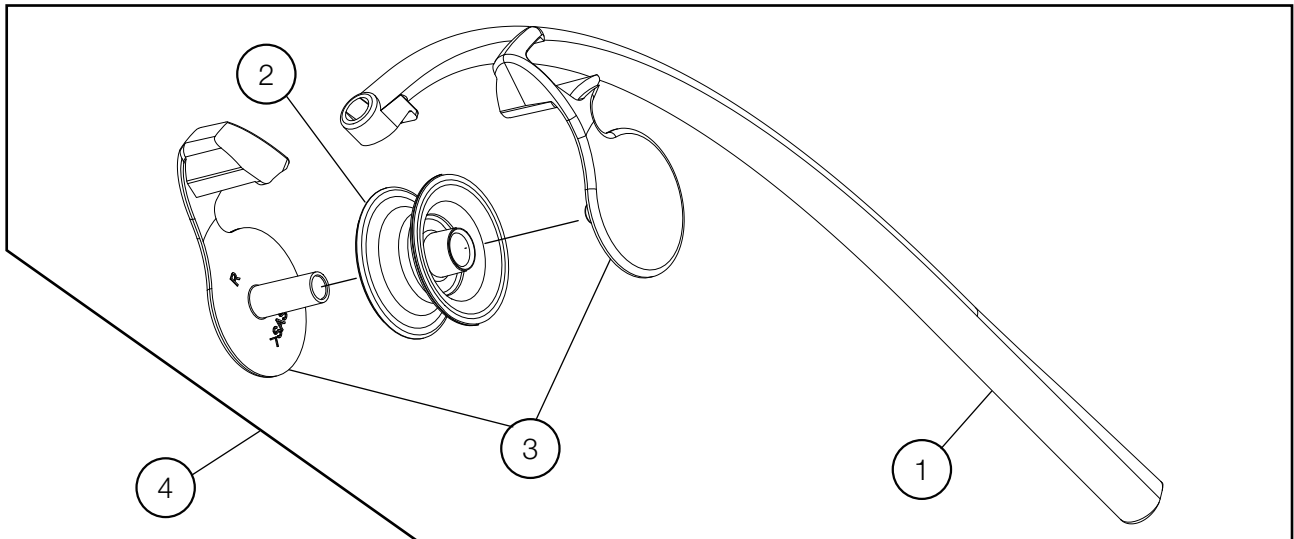
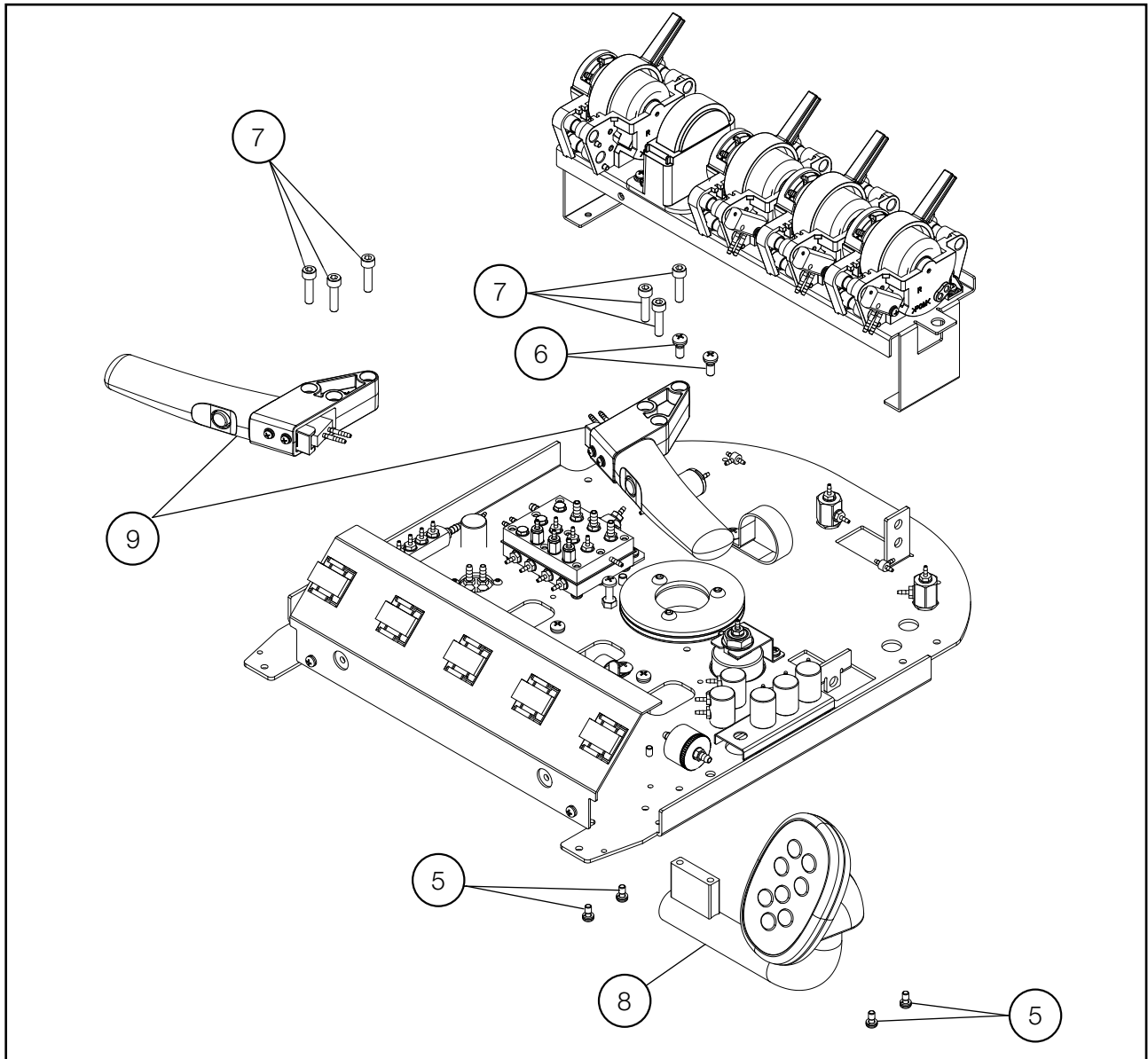
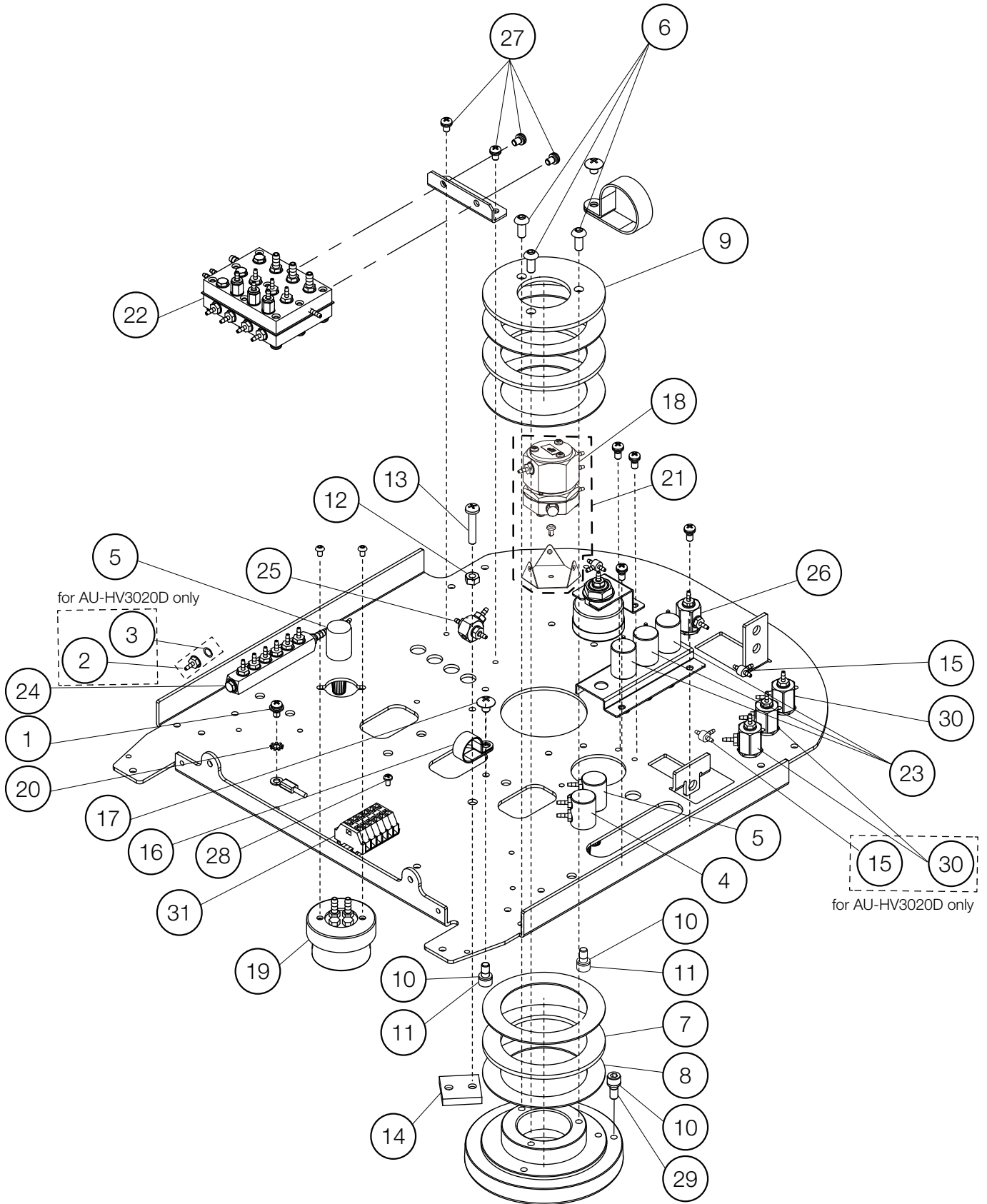


TABLE ASSY.



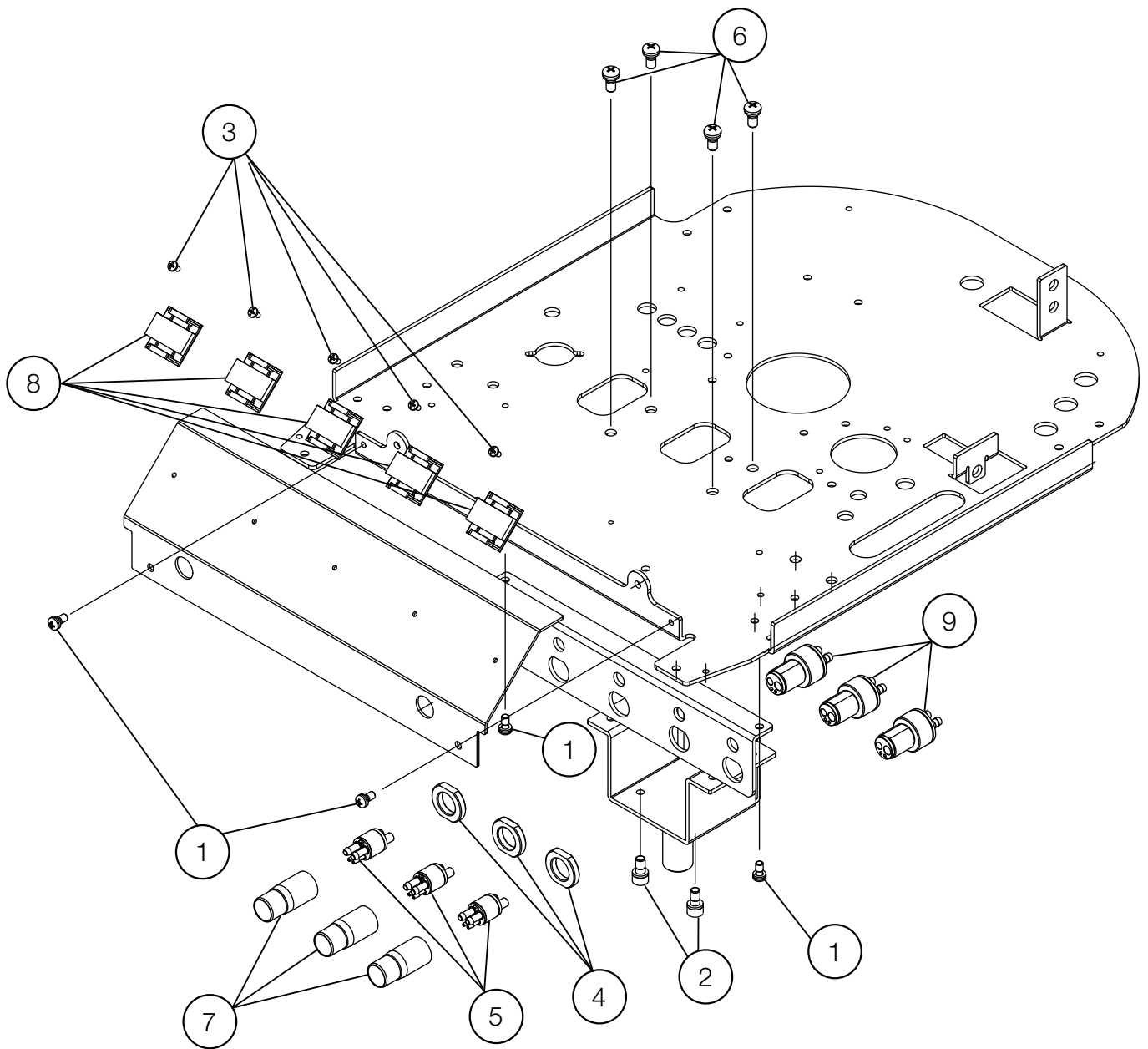
NO.	PARTS NO.	DESCRIPTION	QTY	APPLICABLE SERIAL NO.	NOTE
1	1A0MYXA0	ROD ARM	1		
2	1A0MYXB0	ROD ROLLER	1	VW19D0081	
3	1G0739A0	ROD ROLLER BRACKET SET (L/R)	1		
4	1P05K8A0	ROD ARM PART	1		
5	ZA887LPU	PAN SEMS SCREW 2P M4x8 SUS	4		
6	ZA887NSY	PAN SEMS SCREW 2P M5X12 CHROME	2		
7	ZA761NWX	SOCKET HEAD SCREW M5x20 BLACK	6		
8	1P05KAA0	CONTROL PART ASSEMBLY	1		
9	1P05KBA0	ROD HANDLE PART	2		

TABLE INTERNAL PARTS



NO.	PARTS NO.	DESCRIPTION	QTY	APPLICABLE SERIAL NO.	NOTE
1	ZA88JLPU	PAN SEMS SCREW 3P M4X8 SUS	1		
2	AFFS04A0	1/16 INX10-32 BARB (PLATED)	1		USA P-N: P1052
3	AFFU48A0	WASHER 10-32 (SEAL)	1		USA P-N: P1055
4	1P053ZA0	NEEDLE VALVE FOR WATER	1		
5	1P0540A0	NEEDLE VALVE FOR AIR	2		
6	ZSA11NSU	HEX BUTTON HEAD SCREW M5X12 SUS	3		
7	AFFR95A0	THRUST BEARING (AXK1111)	2		
8	AFFR96A0	THRUST WASHER (AS-1111)	4		
9	AAFT80A0	TABLE FIXING WASHER	1		
10	ZB511NAU	SPRING WASHER ϕ 5 SUS	3		
11	ZA761NLG	HEX SOCKET HEAD SCREW M5x5 BLACK	2		
12	ZA812NAY	NUT M5 CHROME	1		
13	ZA887NXY	PAN HEAD SEMS SCREW 2P M5X22 CHROME	1		
14	AAFT74A0	TABLE ROTATING BRAKE	1		
15	AFFW91A0	1/16 IN BARB TEE PLATED	2		USA P-N: P1875
16	Q-31130	NYLON CLAMP(3330 5/8)	1		
17	ZA114NRU	TRUSS M5X10 SUS	1		
18	1P07FZA0	PULL BACK VALVE	1		
19	1E04R2A0	OIL MIST SEPARATOR	1		
20	ZB552LAU	EXTERNAL TOOTH WASHER M4 SUS	1		
21	1P07FYA0	PULL BACK VALVE WITH BRACKET AND RIVET	1		
22	1P07H7A0	AUTO SELECT VALVE ASSEMBLY FOR 3 HP TUBINGS (EXCEPT FOR SYRINGE)	1		FOR CONTINENTAL DELIVERY
	1P07H8A0	AUTO SELECT VALVE ASSEMBLY FOR 4 HP TUBINGS (EXCEPT FOR SYRINGE)			
23	1P07HLA0	NEEDLE VALVE ASSEMBLY WITH 1.8 BF FOR WATER	3		
24	1P04AVA0	MANIFOLD W/O BOWL	1		
	1P04AWA0	MANIFOLD W/BOWL			
25	1P06GPA0	SHUTTLE VALVE ASSEMBLY	1		
26	1P06HRA0	3V VALVE SWITCH (A)	1		
27	ZA887LPU	PAN SEMS SCREW 2P M4X8 SUS	4		
28	ZA111JNU	PAN HEAD SCREW M3X6 SUS	1		
29	ZA761NPG	HEX SOCKET HEAD SCREW M5X8 BLACK	1		
30	1P06HSA0	3V VALVE SWITCH (M)	1		
31	1P057FA0	CAGE CLAMP ASSEMBLY	1		

ROD STRUCTURE PARTS



NO.	PARTS NO.	DESCRIPTION	QTY	APPLICABLE SERIAL NO.	NOTE
1	ZA887LPU	PAN SEMS SCREW 2P M4X8 SUS	4		
2	ZA761NLG	HEX SOCKET HEAD SCERW M5x5 BLACK	2		
3	ZA111GLU	PAN SCREW M3X5 SUS	5		
4	1A0K0ECO	CONNECTOR NUT	3		FOR DETACHABLE HOSE
5	1P05KDA0	HP TUBE CONNECT ASSEMBLY	3		FOR DETACHABLE HOSE
6	ZA887NPY	PAN SEMS SCREW 2P M5X8 CHROME	4		
7	1A0LP0A0	4-HOLE HP NUT	3		FOR DETACHABLE HOSE
8	1E06CSA0	ADJUSTABLE CABLE CLIP ARC.68-S6-14	5		
9	1P05KCA0	HP HOSE CONNECT ASSEMBLY	3		FOR DETACHABLE HOSE