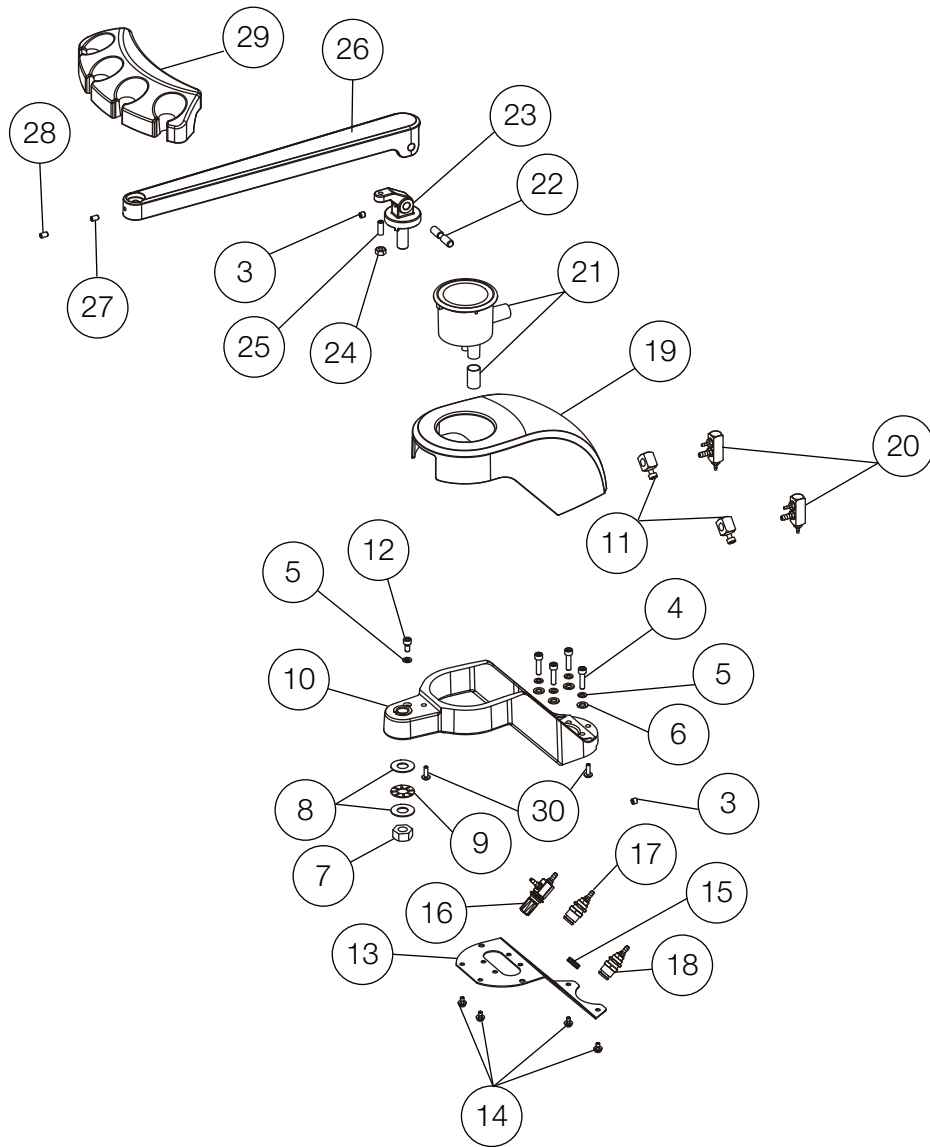
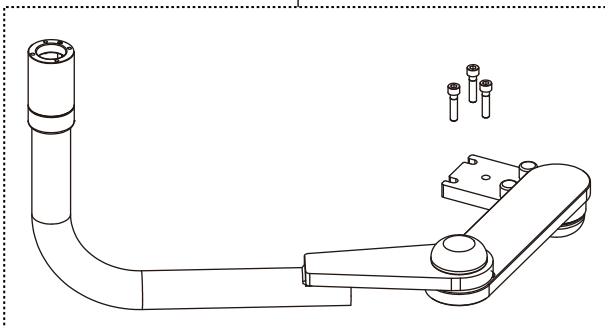


VAC PACS (AU-HV3410/3400/3401W)

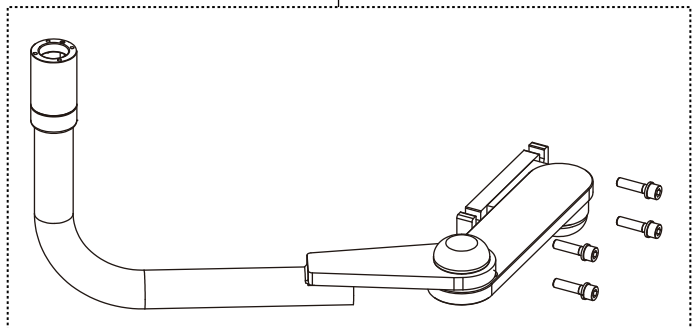


1

2



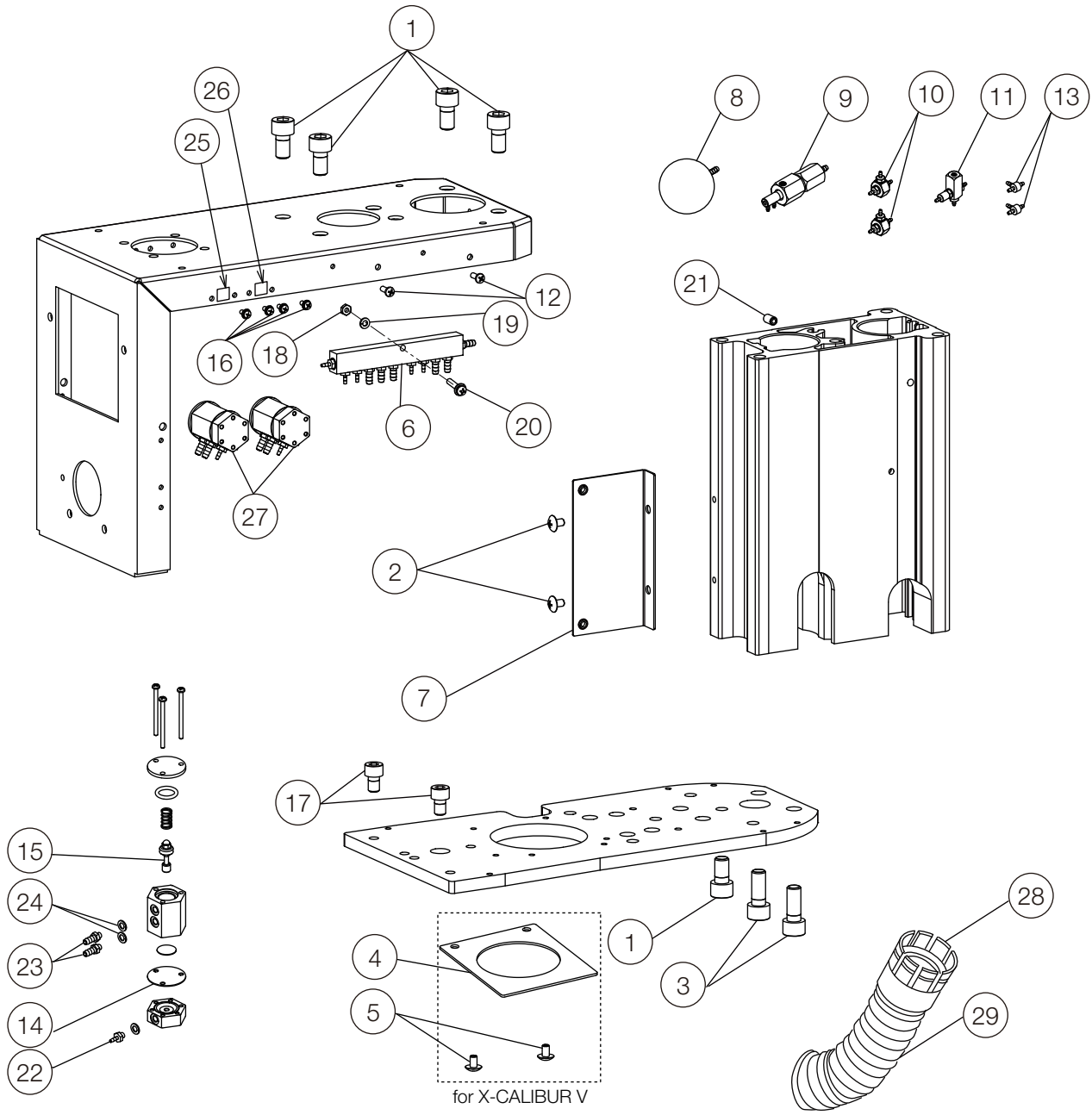
for X-CALIBUR V



for Q5000/Q5500/Q3300

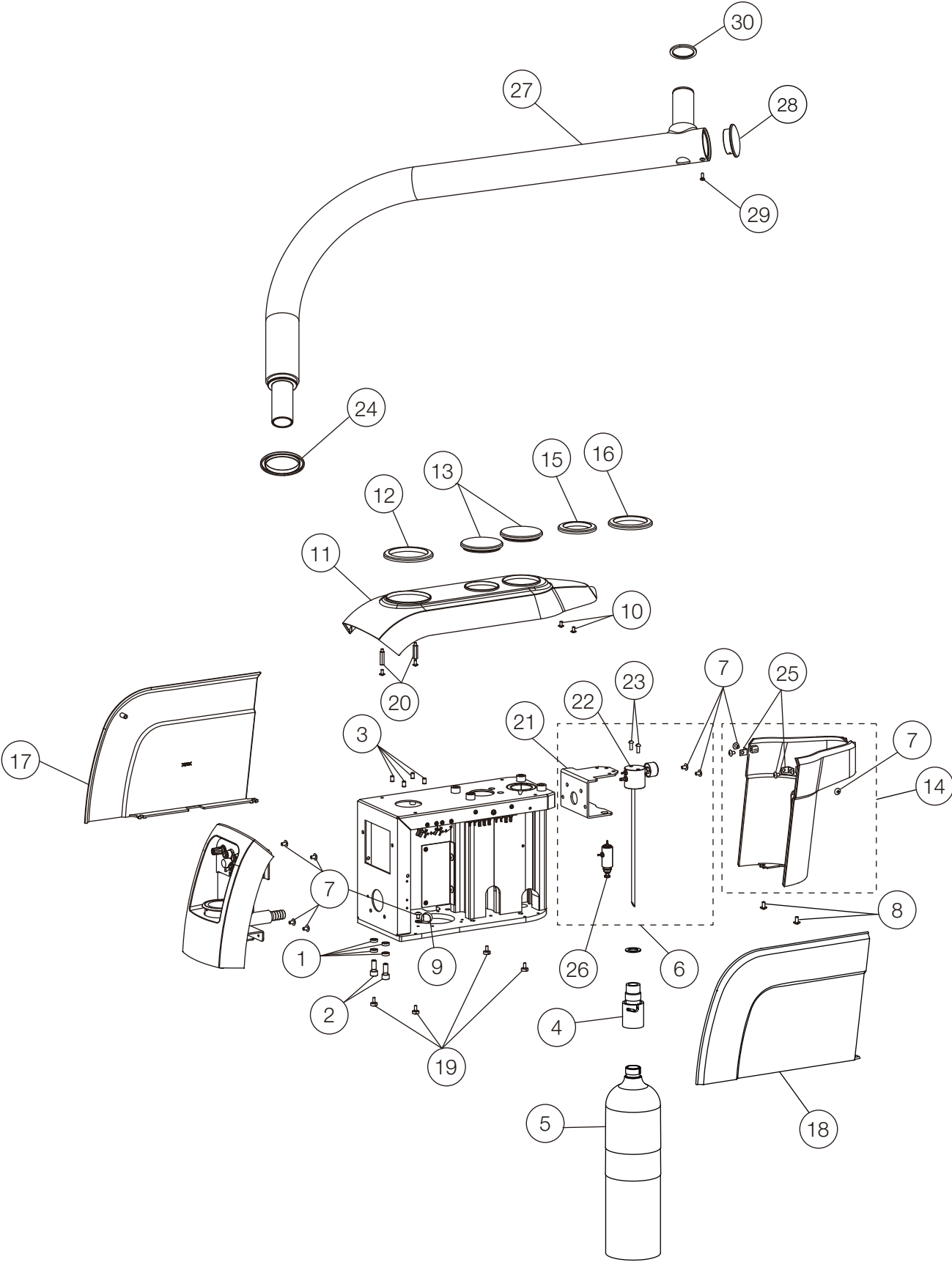
NO.	PARTS NO.	DESCRIPTION	QTY	APPLICABLE SERIAL NO.	NOTE
1	1P06HDA0	VAC PAC ARM ASSEMBLY FOR X-CALIBUR V (CN80)	1		
	1P079GA0	VAC PAC ARM ASSEMBLY FOR X-CALIBUR V (RAL9003)			
2	1P06HCA0	VAC PAC ARM ASSEMBLY FOR Q5000/Q5500/Q3300	1		
3	ZA774OLU	HEX SOCKET SET SCREW (CUP POINT) M6X5 SUS	2		
4	ZA761NYU	SOCKET HEAD SCREW M5X25 SUS	4		
5	ZB511NAU	SPRING WASHER M5 SUS	5		
6	ZB562NAU	WASHER M5 SUS	4		
7	1E015JA0	U-NUT M12 (P1.25) CHROME	1		
8	AERN11A0	THRUST WASHER (AS1101)	2		
9	1E00E5A0	THRUST BEARING (AXK1101)	1		
10	1P04B1A0	VAC PAC BODY ASSEMBLY (CN80)	1		
	1P079HA0	VAC PAC BODY ASSEMBLY (RAL9003)			
11	AFFS22A0	PINCH VALVE	2		USA P-N: D7022
12	ZA761NRU	HEX SOCKET BOLT M5X10 SUS	1		
13	AAFF12BV	VAC PAC BODY BOTTOM FRAME (CN80)	1		
	1A0XP7AV	VAC PAC BODY BOTTOM FRAME (RAL9003)			
14	ZA88JLPU	PAN HEAD SCREW 3P M4X8 SUS	4		
15	AFFS50A0	GROMMET (C30NG79EUL)	1		
16	1P04B2A0	NEEDLE VALVE ASSEMBLY	1		USA P-N: V1511G
17	AFFS26A0	H2O QUICK DISCONNECT 1/4 IN BLUE	1		USA P-N: P1075BLU
18	AFFS27A0	H2O QUICK DISCONNECT 1/4 IN YELLOW	1		USA P-N: P1075YEL
19	1P0587A0	VAC PAC COVER (CN80)	1		
	1P079NA0	VAC PAC COVER (RAL9003)			
20	1P04B3A0	1/4 - 1/4 - 1/8 MANIFOLD	2		
21	AFFS25B0	SOLID COLLECTOR (SIDE)	1	VS18D0005	USA P-N: S1386
22	1A0GTCA0	LIFTING SHAFT FOR VAC PAC SECOND ARM	1		
23	1A0GNDAV	ROTATING SHAFT FOR VAC PAC SECOND ARM (CN80)	1		
	1A0XP7AV	ROTATING SHAFT FOR VAC PAC SECOND ARM (RAL9003)			
24	ZA812OAU	NUT M6 SUS	1		
25	ZA774OVU	CAP POINT SET SCREW M6X18 SUS	1		
26	1A0GNFAV	VAC PAC SECOND ARM (ADC) (CN80)	1		
	1A0XP8AV	VAC PAC SECOND ARM (ADC) (RAL9003)			
27	1E02E1A0	ROUND BELT PHI4 (ORANGE)	0.01m		
28	ZA774NNU	HEX SOCKET SET SCREW (CUP POINT) M5X6 SUS	1		
29	FASA85D0	ASSISTANT HOLDER	1	VS17D0023	
30	ZA887LUY	PAN HEAD SCREW 2P M4X16 CHROME	2		

PMU ASSY 1



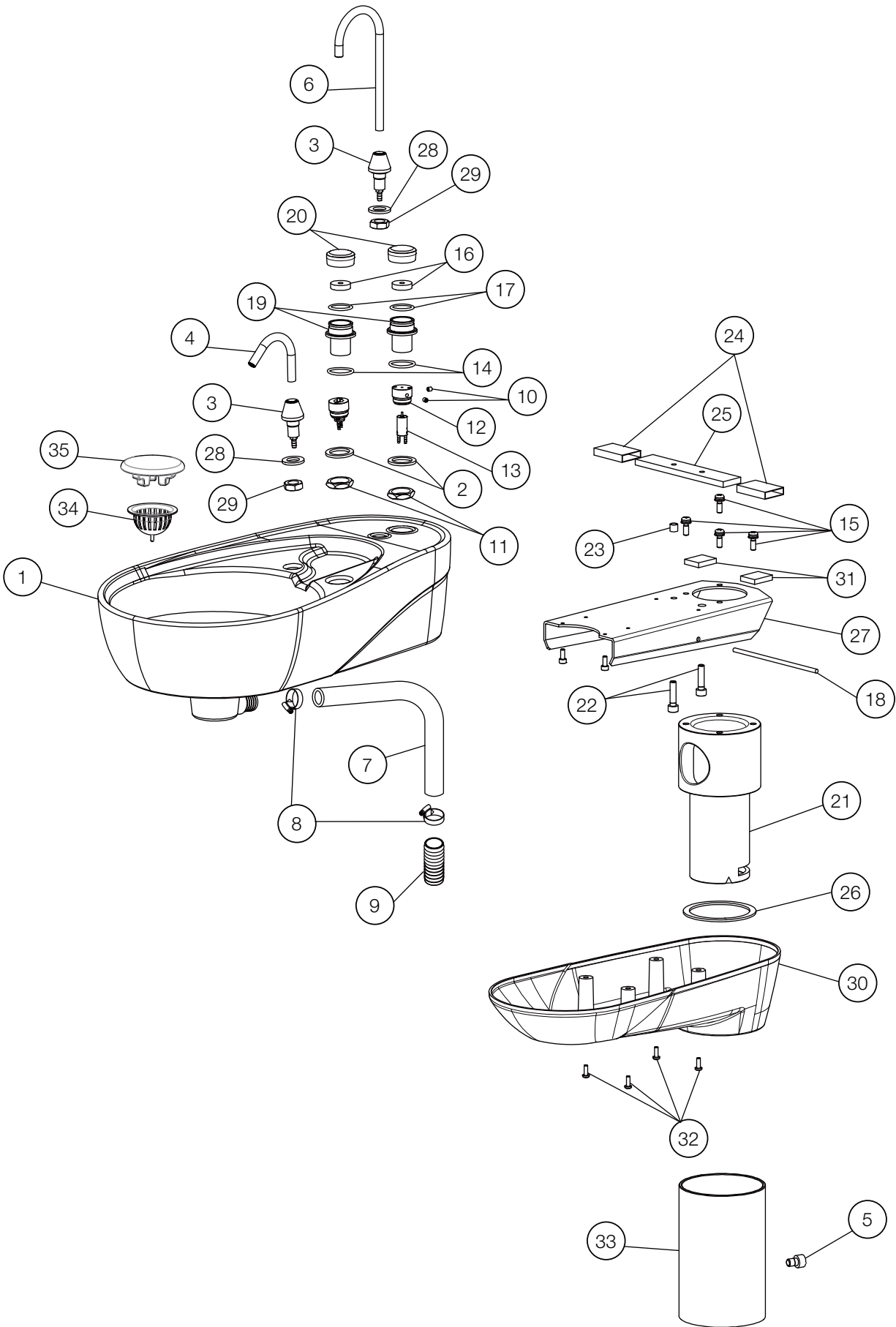
NO.	PARTS NO.	DESCRIPTION	QTY	APPLICABLE SERIAL NO.	NOTE
1	ZA761QVU	HEX SOCKET BOLT M10X18 SUS	5		
2	ZA114NPU	TRUSS M5X8 SUS	2		
3	ZA761QYU	HEX SOCKET HEAD SCREW M10X25 SUS	2		
4	1A0H9PBV	BRACKET FOR DUCTING HOSE	1	-	
5	ZA114NNU	TRUSS M5X6 SUS	2		
6	1P04BZA0	PMU MANIFOLD 1	1		
7	1A0H9QB0	BRACKET FOR LIGHT BOARD	1		
8	FAMD80A0	CHAMBER	1		
9	1P04MCA0	VIBRATION ABSORBER ASSEMBLY	1		
10	1P04M9A0	SHUTTLE VALVE ASSEMBLY	2		
11	1P04M8A0	FLOW CONTROL VALVE ASSEMBLY	1		
12	ZA111LRU	PAN HEAD SCREW M4X10 SUS	2		
13	AFFW91A0	1/16 IN BARB TEE PLATED	2		USA P-N: P1875
14	FALI30F0	DIAPHRAGM (OD:28)	2		
15	1P0487A0	SPOOL ASSEMBLY	1		
16	ZA88JJPU	PAN HEAD SEMS SCREW P=3 M3X8 SUS	4		
17	ZA761PSU	HEX SOCKET HEAD SCREW M8X12 SUS	2		
18	ZA812LAU	NUT M4 SUS	1		
19	ZB511LAU	SPRING WASHER	1		
20	ZA88JLWU	PAN HEAD SEMS SCREW P=3 M4X20 SUS	1		
21	ZA774ORU	SET SCREW M6X10 SUS	1		
22	AFFS04A0	1/16 INX10-32 BARB (PLATED)	1		USA P-N: P1052
23	AFFS05A0	1/8 INX10-32 BARB (PLATED)	2		USA P-N: P1053
24	AFFU48A0	WASHER 10-32 (SEAL)	3		USA P-N: P1055
25	FALC86A0	LABEL FOR BOWL FLUSH	1		
26	FALC85A0	LABEL FOR CUPFILLER	1		
27	1P04MAA0	SMALL MASTER VALVE ASSEMBLY	2		
28	FGNA30A0	UMBILICAL HOSE CLAMP	1		
29	X-41350	UMBILICAL HOSE Ø50MM	1		

PMU ASSY 2



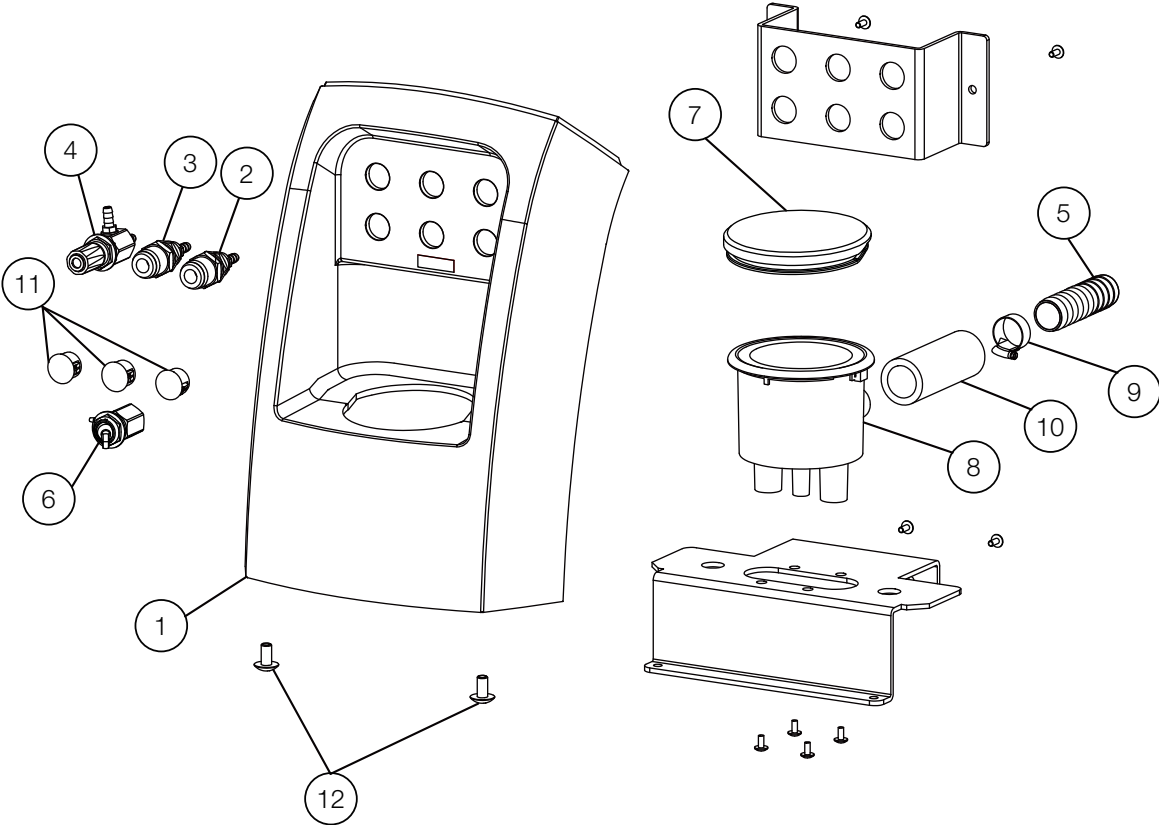
NO.	PARTS NO.	DESCRIPTION	QTY	APPLICABLE SERIAL NO.	NOTE
1	AAET81A0	SPACER FOR ARM STOPPER	4		
2	ZA761PWU	HEX SOCKET HEAD SCREW M8X20 SUS	2		
3	ZA761OSU	CAP BOLT M6X12 SUS	4		
4	AFFV15A0	QUICK COUPLER KIT	1	-	USA P-N: D8941
5	AFFS21B0	WATER BOTTLE 2L	1	-	USA P-N: D8164
6	1P04MDA0	WATER BOTTLE FIXING BRACKET ASSEMBLY	1		
7	ZA114NPU	TRUSS M5X8 SUS	9		
8	ZA114NRU	TRUSS M5X10 SUS	2		
9	Q-31130	NYLON CLAMP (3330 5/8)	1		
10	ZA114LPU	TRUSS M4X8 SUS	4		
11	1A0H9SA0	PMU TOP COVER	1		
12	1A0HAF0	PMU CAP 3	1		
13	1A0HAGA0	PMU CAP 4	2		
14	1P04MGA0	REAR COVER ASSEMBLY	1		
15	1A0HADA0	PMU CAP 1	1		
16	1A0HAEA0	PMU CAP 2	2		
17	1A0H9TA0	PMU RIGHT COVER	1		
18	1A0H9UA0	PMU LEFT COVER	1		
19	AEFY91A0	STRAIGHT SLOT KNURLED HEAD SCREW M5X10	4		
20	1A0GVEA0	M4 SPACER 24MM	2		
21	1A0H9LAV	BRACKET FOR WATER BOTTLE	1		
22	AFFS17A0	WATER BOTTLE HEAD W/ PRESSURE 1/8" NPTF GAUGE PORT	1		USA P-N: RC18041DBEL
23	AFFS19A0	10-32 1/2 SCREW SUS	2		USA P-N: RF-2010
24	1A0HAHA0	PMU CAP 5	1		COVER FOR W/O SPITTOON SPEC.
25	1A0HASB0	BRACKET FOR SIDE COVER	2		
26	1P04ALA0	MINI-AIR REGULATOR W/ BARB AND WASHER	1		
27	1A0HB6AV	FIRST ARM	1		
28	1A0HB7AV	ARM END CAP	1		
29	ZA112LSU	FLAT HEAD SCREW M4X12 SUS	1		
30	AAFT81B0	WASHER FOR ROTATION SHAFT	1	VG16F0001	

PMU BOWL ASSY.



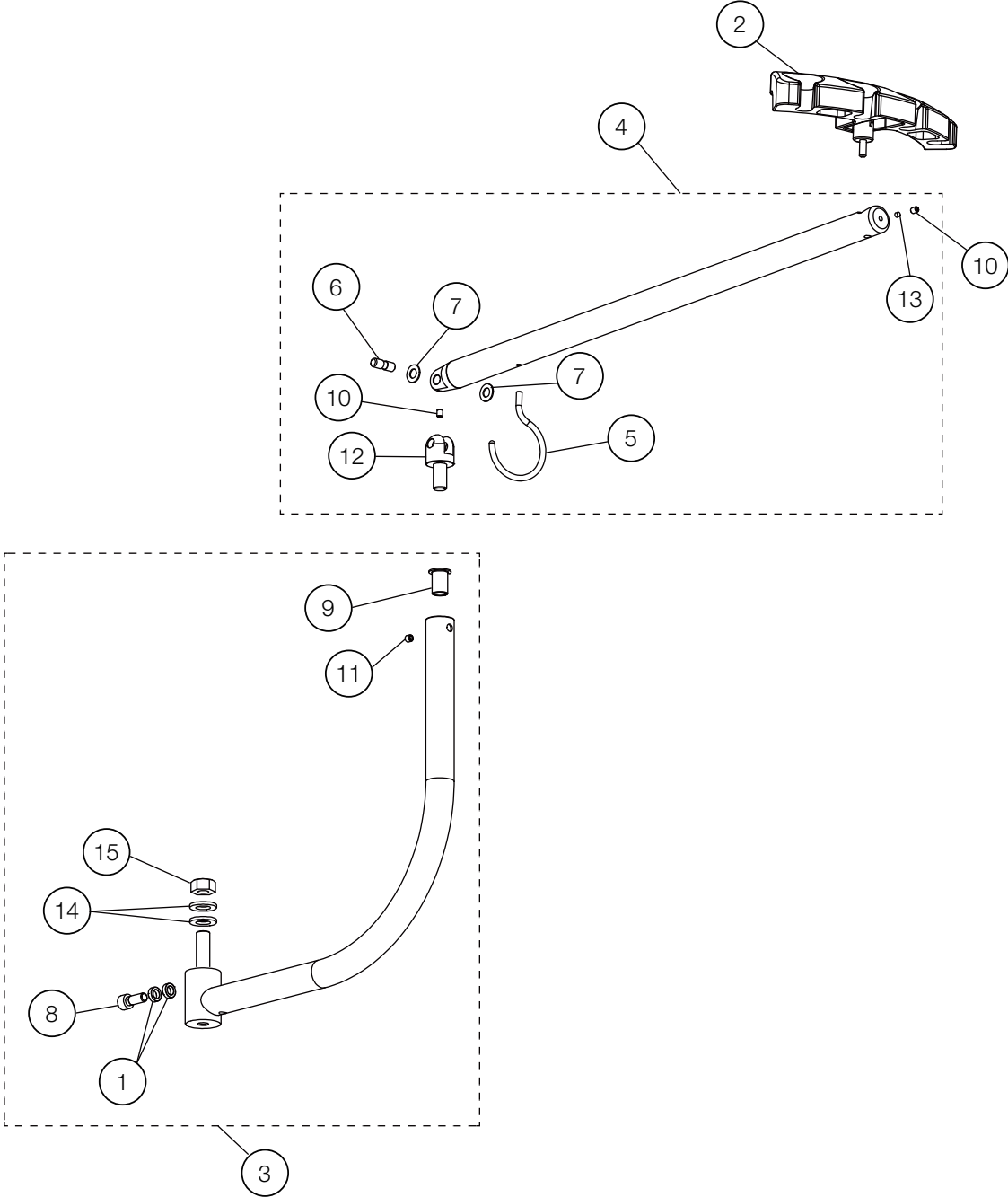
NO.	PARTS NO.	DESCRIPTION	QTY	APPLICABLE SERIAL NO.	NOTE
1	1P04C4A0	BOWL ASSEMBLY	1		
2	1A0J7KA0	WASHER 28X20.2X2.3	2		
3	1P04C2A0	NOZZLE BASE ASSEMBLY	2		
4	1A03WCA0	BOWL FLUSH NOZZLE	1		
5	ZA761OPU	CAP SCREW M6X8 SUS	1		
6	1A03WGA0	CUPFILLER NOZZLE	1		
7	DETR03B0	DRAIN HOSE GRAY (ID:19)	0.4m	-	
8	FJDA06A0	ABA BAND (ID:15-24)	2		
9	1A0HHMA0	DRAIN CONNECTOR	1		
10	ZA774LJU	HEX SOCKET SET SCREW(CUP POINT) M4X4 SUS	2		
11	DAOR93B0	VACUUM SOCKET NUT	2		
12	1A0HA3A0	VALVE BASE	2		
13	1P04C3A0	PILOT VALVE CUP	2		
14	F-10210	O-RING P-22	2		
15	ZA88JN#U	PAN HEAD SEMS SCREW P=3 M5X15 SUS	4		
16	1A03X2A0	SWITCH CUSHION	2		
17	AEER02A0	O-RING 1.9X19.8X23.6	2		
18	1A040TA0	DRAIN SUPPORT BAR	1		
19	1A0HA4A0	SWITCH BASE	2		
20	1A0HA2A0	SWITCH	2		
21	FATA24B0	BOWL ROTATION SHAFT	1		
22	ZA761OYU	CAP BOLT M6X25 SUS	2		
23	AEFS09A0	C-SHAPED SPACER 6X7L	1		
24	DENR15A0	VINYL TUBE BLACK 20X21	0.12m		
25	1A0HHKA0	BOWL FIXING PLATE	1		
26	FACA39A0	ROTATION WASHER	1		
27	1A0HHLA0	BRACKET FOR BOWL	1		
28	ZB561RAY	WASHER 12X22X2.3 CHROME	2		
29	1A03WAA0	NOZZLE BASE NUT	2		
30	1A03XBB0	BOWL BOTTOM COVER	1		
31	1E01JSA0	NORSEAL V716	0.05m		
32	ZA111LRU	PAN HEAD SCREW M4X10 SUS	4		
33	1P04MFA0	BOWL POST ASSEMBLY	1		
34	1A025DB0	DRAIN STRAINER	1		
35	FALC62B0	DRAIN CAP	1		

FRONT COVER



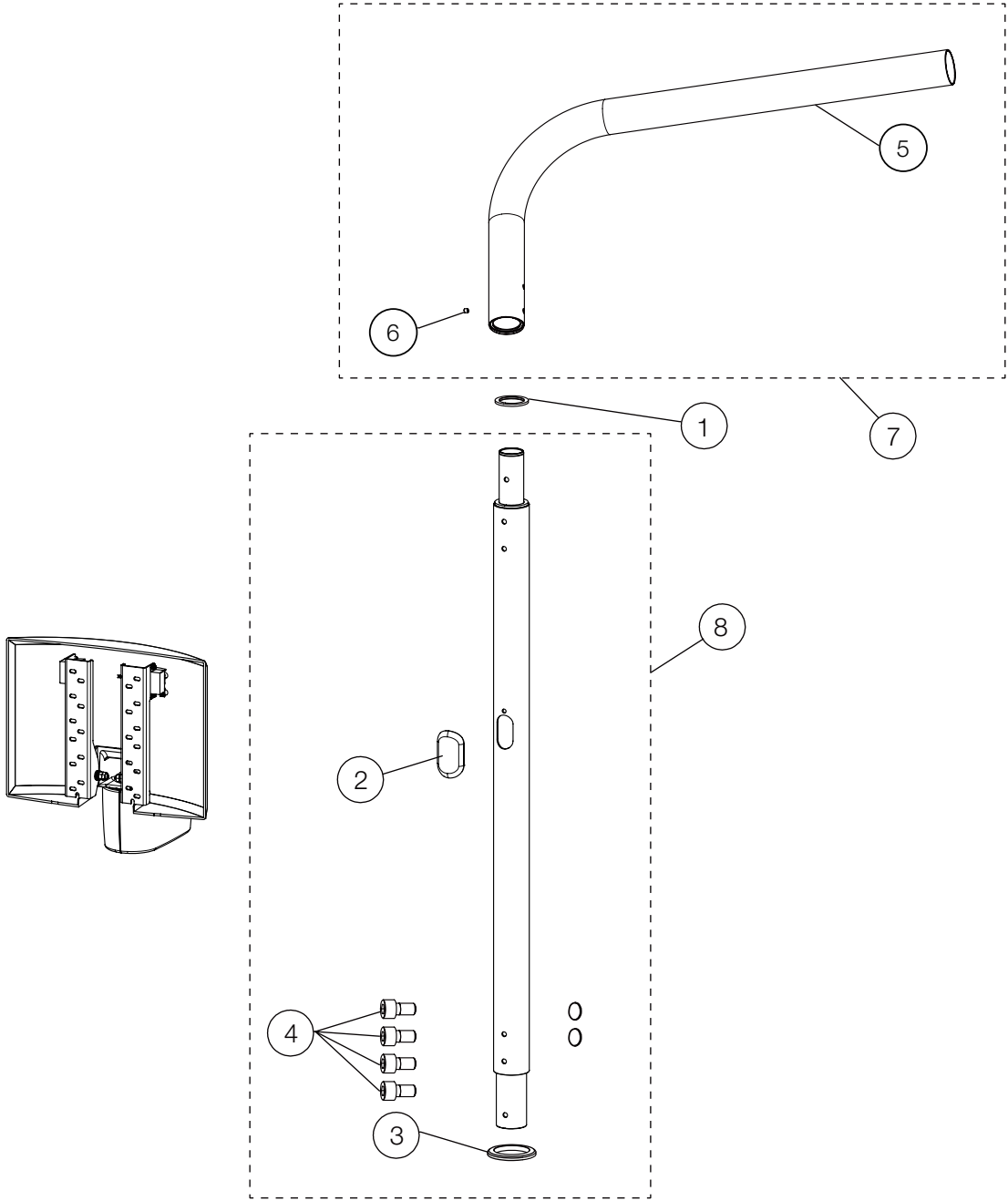
NO.	PARTS NO.	DESCRIPTION	QTY	APPLICABLE SERIAL NO.	NOTE
1	1P04CJA0	PMU FRONT COVER W/LABEL	1		
2	AFFS26A0	H2O QUICK DISCONNECT 1/4 IN BLUE	1		USA P-N: P1075BLU
3	AFFS27A0	H2O QUICK DISCONNECT 1/4 IN YELLOW	1		USA P-N: P1075YEL
4	1P04B2A0	NEEDLE VALVE ASSEMBLY	1		USA P-N: V1511G
5	AFFS39A0	VACUUM HOSE 5/8 SPIROLOCK	0.06m		USA P-N: T1746
6	1P06GNA0	MOMENTARY TOGGLE VALVE ASSEMBLY	1		
7	1A0HAJA0	PMU CAP FRONT	1		
8	AFFS25B0	SOLID COLLECTOR (SIDE)	1	VS18D0005	USA P-N: S1386
9	FJDA06A0	ABA BAND (ID:15-24)	1		
10	AADR14A0	VACUUM HOSE JOINT	1		
11	FEOA24A0	HOLE PLUG DP-500W	3		
12	ZA114NPU	TRUSS M5X8 SUS	2		

PMU ASSISTANT



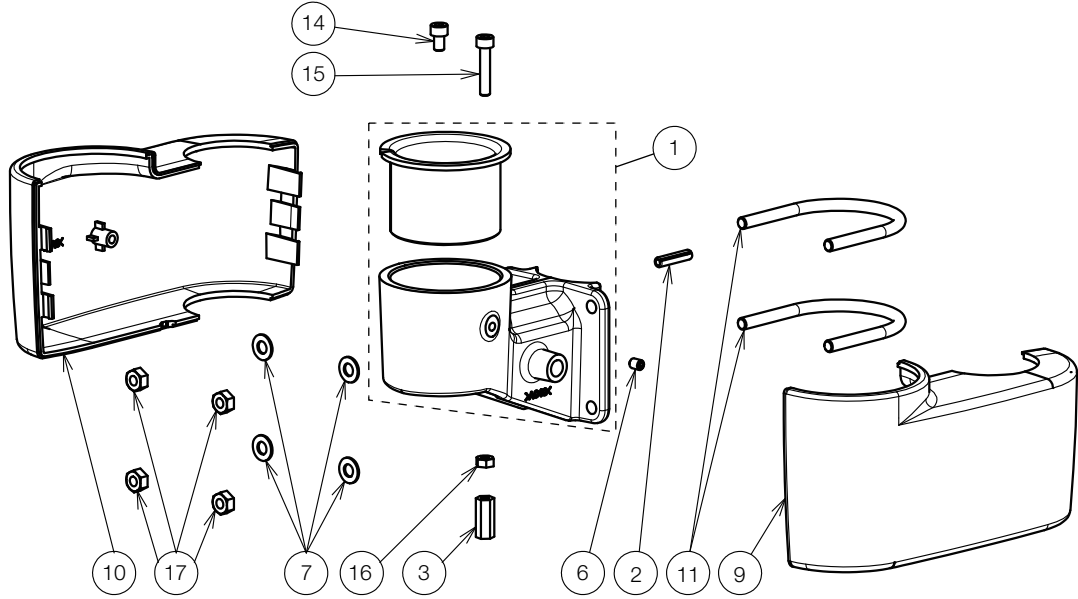
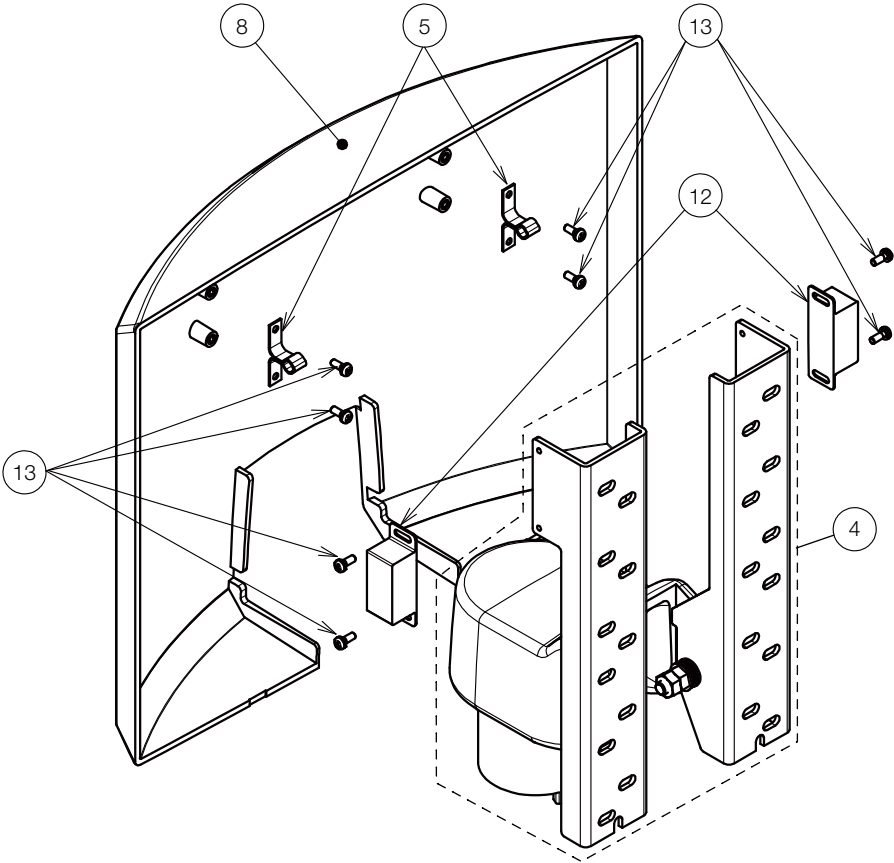
NO.	PARTS NO.	DESCRIPTION	QTY	APPLICABLE SERIAL NO.	NOTE
1	AAET81A0	SPACER FOR ARM STOPPER	2		
2	FASA85D0	ASSISTANT HOLDER	1		
3	1P04C0A0	ASSISTANT FIRST ARM ASSEMBLY	1		
4	1P04C1A0	ASSISTANT SECOND ARM ASSEMBLY	1		
5	1A0HHBA0	HOSE HOOK	1		
6	FACA48A0	ASSISTANT ARM PIN	1		
7	FJCA12A0	NYLON WASHER 8X16X1	2		
8	ZA761PWU	HEX SOCKET HEAD SCREW M8X20 SUS	1		
9	FJCA10B0	BUSH K5F1220-20	1		
10	ZA774NNU	HEX SOCKET SET SCREW (CUP POINT) M5X6 SUS	2		
11	ZA774OLU	HEX SOCKET SET SCREW (CUP POINT) M6X5 SUS	1		
12	1A0JK4AV	ASSISTANT 2ND SHAFT	1		
13	1E02E1A0	ROUND BELT PHI4 (ORANGE)	0.01m		
14	ZB561RAY	WASHER 12X22X2.3 CHROME	2		
15	1E015JA0	U-NUT M12 (P1.25) CHROME	1		

LIGHT POST ASSY.



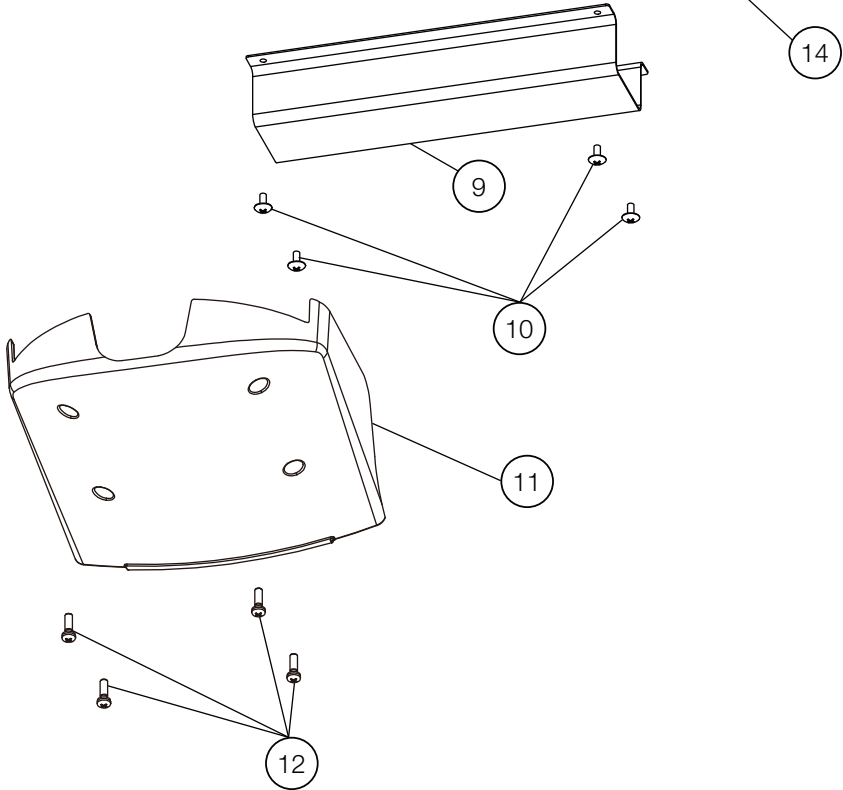
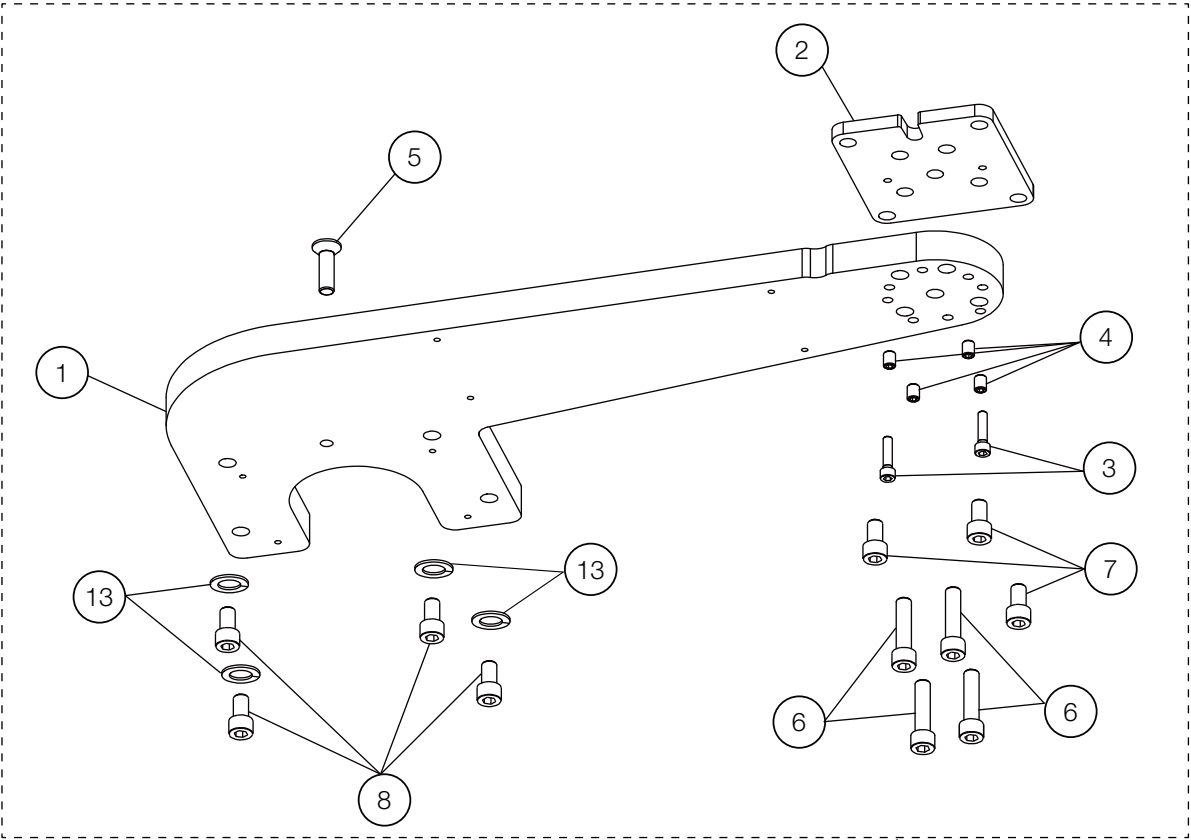
NO.	PARTS NO.	DESCRIPTION	QTY	APPLICABLE SERIAL NO.	NOTE
1	AAFU04B0	ROTATION WASHER	1		
2	FACC50A0	CAP FOR W/O MONITOR TYPE	1		
3	1A0HADA0	PMU CAP 1	1		
4	1E03ECA0	HEX SOCKET BOLT M6X15 SUS	4		
5	1P04BXA0	L SHAPED POLE ASSEMBLY	1		
6	ZA774OLU	HEX SOCKET SET SCREW (CUP POINT) M6X5 SUS	1		
7	1P04BXA0	L SHAPED POLE W/SCREW	1		
8	1P059BA0	LIGHT POST ASSEMBLY	1		

MONITOR BRACKET



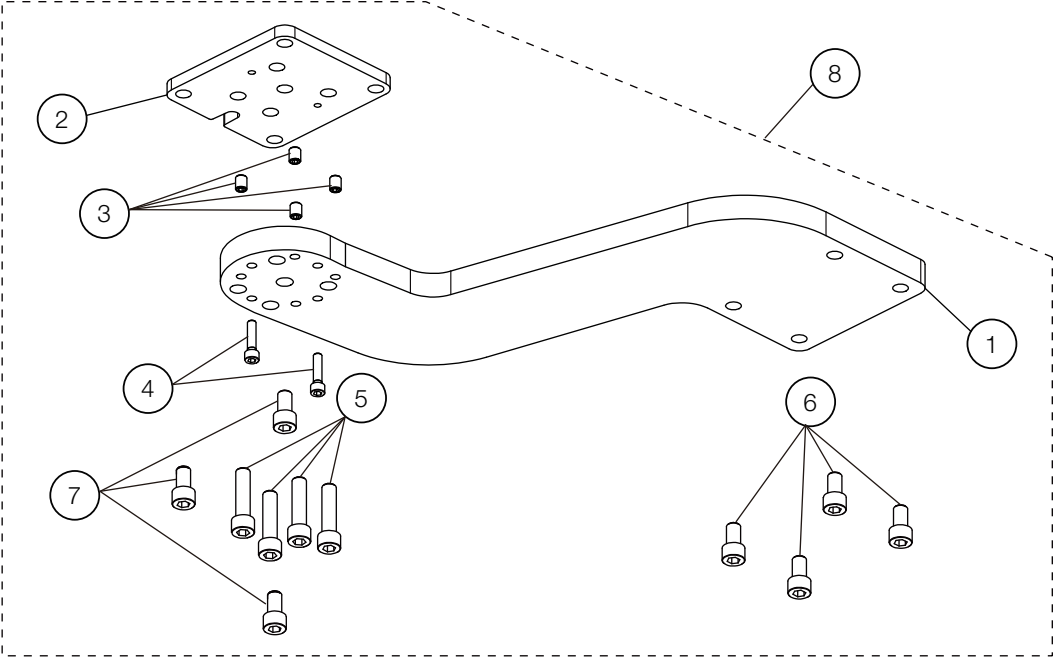
NO.	PARTS NO.	DESCRIPTION	QTY	APPLICABLE SERIAL NO.	NOTE
1	1P05UEA0	MONITOR BRACKET ASSY	1		
2	ZG081NXG	ROLL PIN M5x22 BLACK	1		
3	1E079TA0	HEX SPACER	1		
4	1P05UCA0	ROTATION BRACKET ASSY	1		
5	1E00E3A0	CLIP FOR BRACKET	2		
6	ZA771NNU	HEX SOCKET HEAD SCREW (FLAT) M5x6 SUS	1		
7	ZB562OAY	WASHER M6x13x1.0 CHROME	10		
8	1A0X4UA0	COVER FOR MONITOR	1		
9	1A0X4TA0	LEFT COVER FOR MONITOR ARM BRACKET	1		
10	1A0X4SA0	RIGHT COVER FOR MONITOR ARM BRACKET	1		
11	1A0PJ7B0	POLE BAND	2		
12	1E00E3A0	CLIP FOR BRACKET	2		
13	ZA887JPY	PAN HEAD SEMS SCREW 2P M3x8 CHROME	8		
14	ZA761NPG	SOCKET HEAD SCREW M5x8 BLACK	1		
15	ZA761NYY	SOCKET HEAD SCREW M5x25 CHROME	1		
16	ZA812NAY	NUT M5 CHROME	1		
17	ZA812OAY	NUT M6 CHROME	8		

PMU CHAIR BRACKET FOR Q5000/Q5500/Q3300 (AU-HV3902)

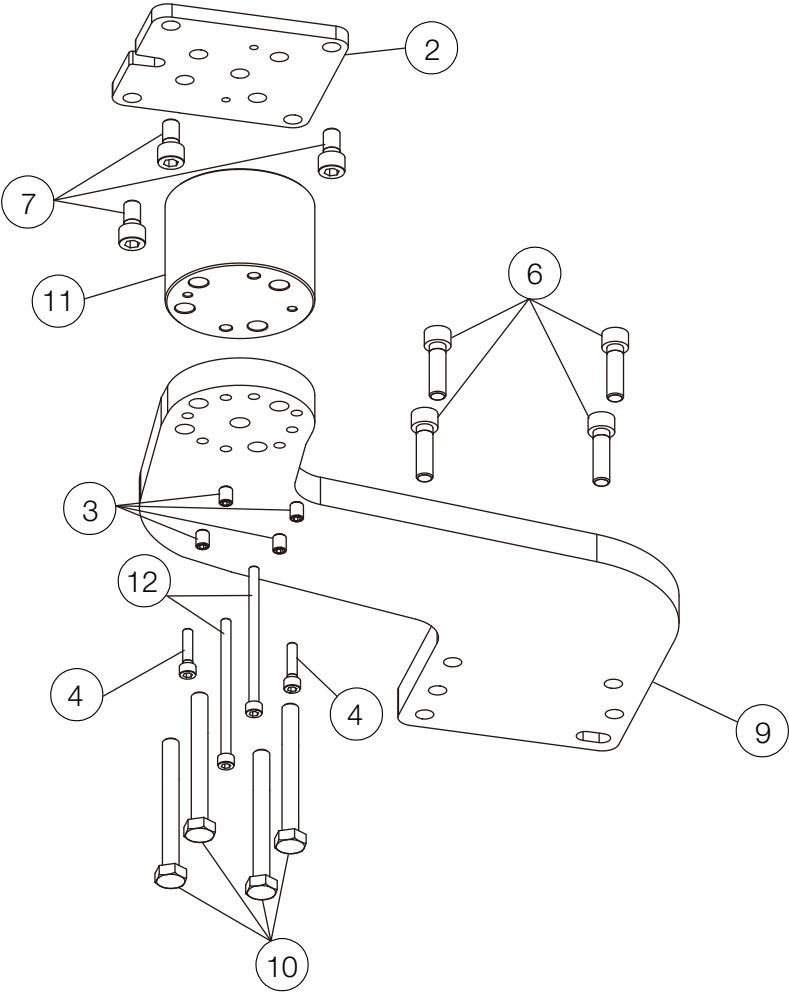


NO.	PARTS NO.	DESCRIPTION	QTY	APPLICABLE SERIAL NO.	NOTE
1	1A0HA9BV	MOUNTING BRACKET (AU-HV3902)	1		
2	1A0HAAAV	PMU BASE PLATE 2	1		
3	ZA761OYU	CAP BOLT M6X25 SUS	2		
4	ZA771PRU	HEX SOCKET SET SCREW(FLAT) M8X10 SUS	4		
5	ZSA01Q1U	FLAT HEAD SOCKET CAP SCREW M10X35 SUS	1		
6	ZA761Q5Y	HEX SOCKET HEAD SCREW M10X55 CHROME	4		
7	ZA761QVU	HEX SOCKET BOLT M10X18 SUS	3		
8	ZA761Q2G	HEX SOCKET HEAD SCREW M10X40 BLACK	4		
9	1A0HC7AV	HOSE COVER	1		
10	ZA114NNU	TRUSS M5X6 SUS	4		
11	AAFB95C0	HOSE COVER	1		
12	ZA887NUU	PAN HEAD SEMS SCREW 2P M5X16 SUS	4		
13	ZB511QAY	SPRING WASHER M10 CHROME	4		
14	1P04BVA0	PMU MOUNT ASSEMBLY FOR Q5000 / Q5500 / Q3300	1		

PMU BRACKET FOR PRO II (AU-HV3901)



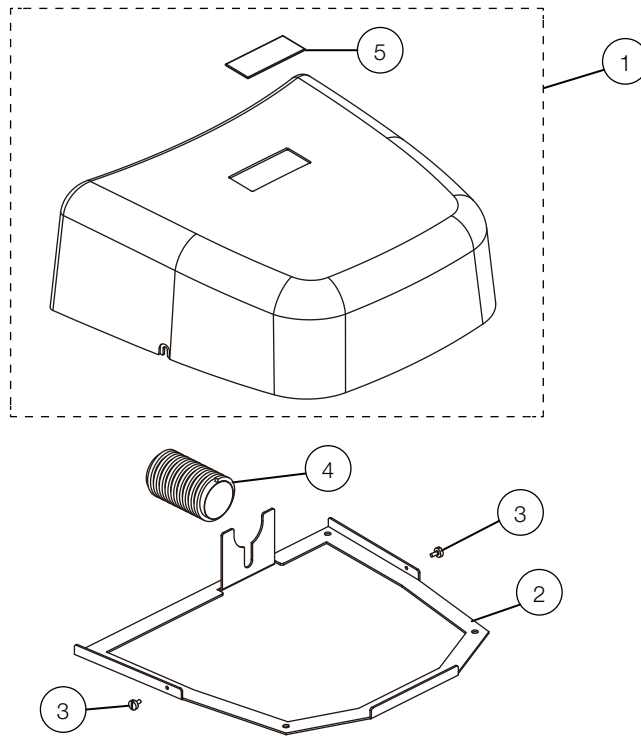
PMU CHAIR BRACKET FOR X-CALIBUR V / PRO III (AU-HV3901N)



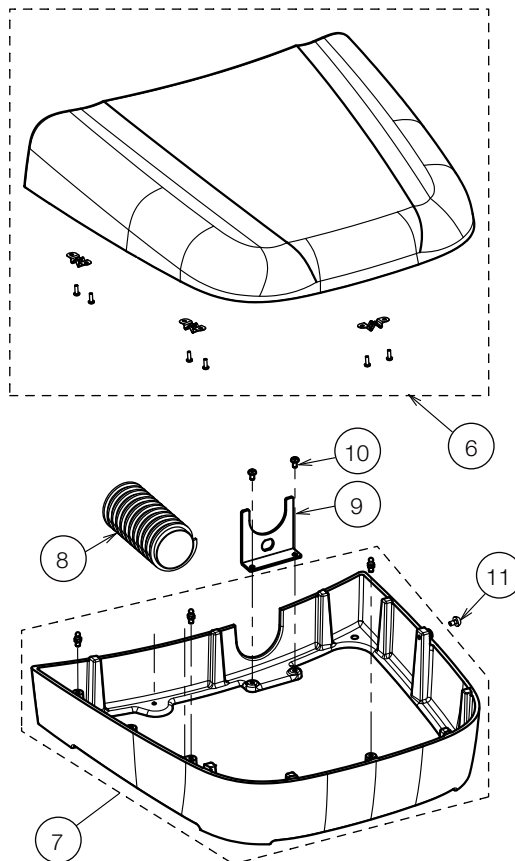
NO.	PARTS NO.	DESCRIPTION	QTY	APPLICABLE SERIAL NO.	NOTE
1	1A0HJ9CV	MOUNTING BRACKET (AU-HV3901)	1	-	
2	1A0HAAAV	PMU BASE PLATE 2	1		
3	ZA771PRU	HEX SOCKET SET SCREW(FLAT) M8X10 SUS	4		
4	ZA761OYU	CAP BOLT M6X25 SUS	2		
5	ZA761Q5Y	HEX SOCKET HEAD SCREW M10X55 CHROME	4		
6	ZA761Q1Y	HEX SOCKET HEAD SCREW M10X35 CHROME	4		
7	ZA761QVU	HEX SOCKET BOLT M10X18 SUS	3		
8	1P04BUA0	PMU MOUNT ASSEMBLY	1		
9	1A0HJ9CV	MOUNTING BRACKET (AU-HV3901N)	1	-	
10	ZA80AQ+Y	HEX SCREW M10X120 CHROME	4		
11	1A0TA3A0	PMU BASE SPACER	1		FOR PRO III
12	1E07RUA0	HEX SOCKET HEAD SCREW M6X95 SUS	2		FOR PRO III

JUNCTION BOX FOR Q5000/Q5500/Q3300

AU-HV3950

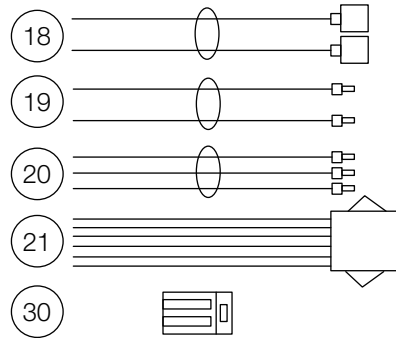
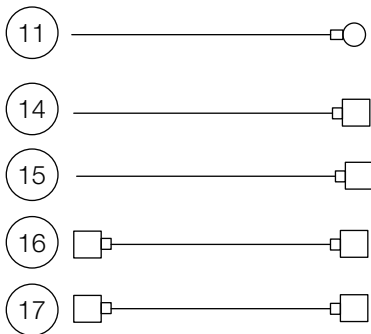
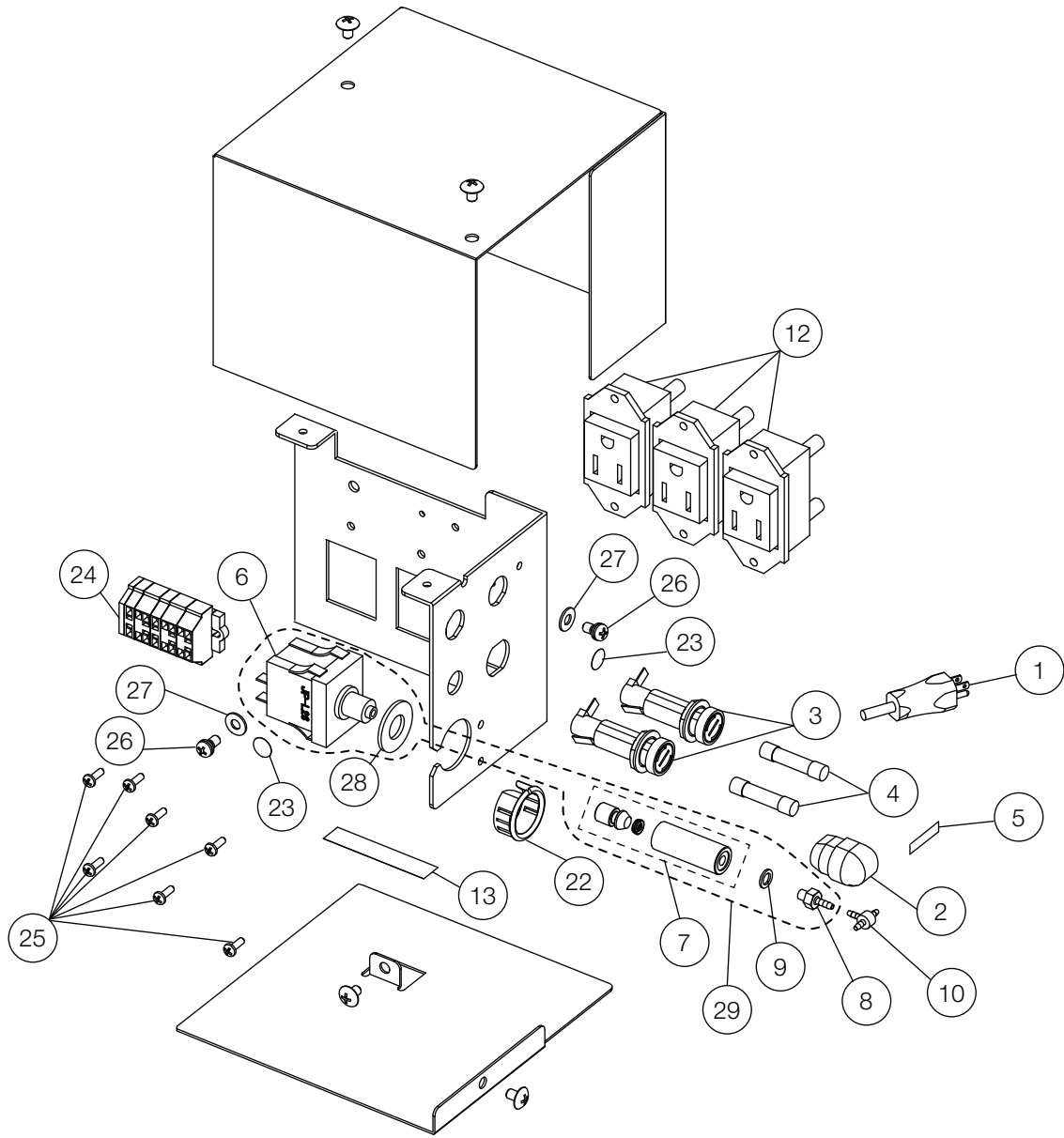


AU-HV3950Q



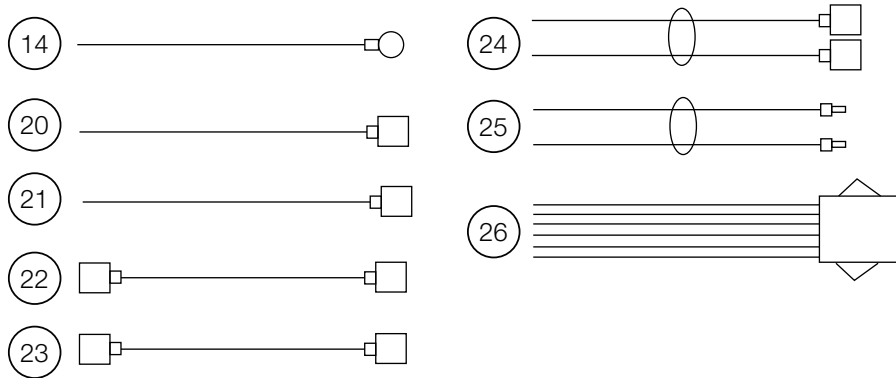
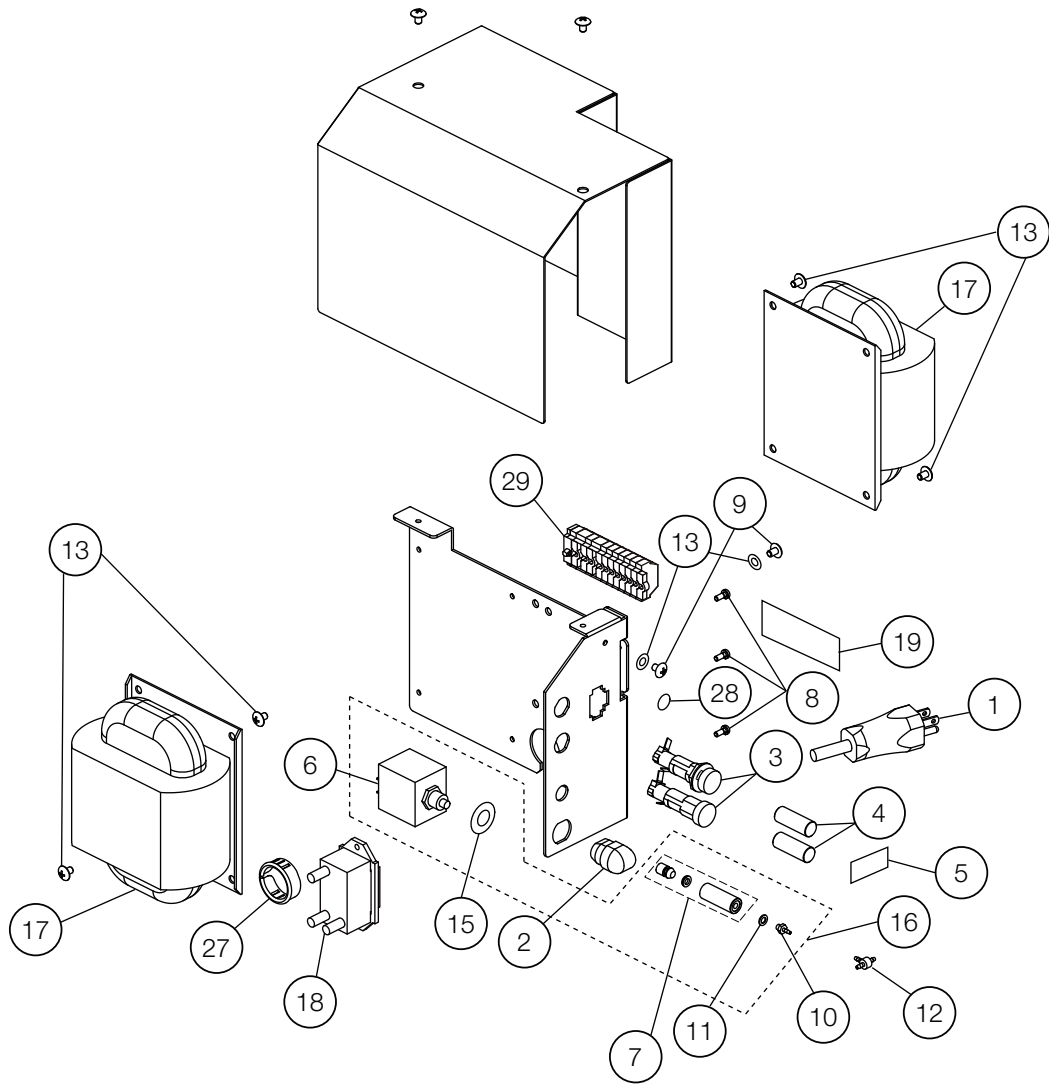
NO.	PARTS NO.	DESCRIPTION	QTY	APPLICABLE SERIAL NO.	NOTE
1	1P045BA0	J-BOX COVER W/LOGO	1		
2	1A0GN8AV	JUNCTION FRAME	1		
3	AEFY91A0	STRAIGHT SLOT KNURLED HEAD SCREW M5X10	2		
4	X-41350	UMBILICAL HOSE Φ 50MM	0.8m		
5	1A0HC9A0	LOGO LABEL	1		
6	1P0728A0	COVER WITH PIN CATCHES FOR JUNCTION BOX	1		
7	1P073GA0	FRAME WITH PINS FOR JUNCTION BOX	1		
8	X-41350	UMBILICAL HOSE (30M/LOT)	0.6m		
9	1A0V58A0	BRACKET FOR HOSE	1		
10	ZA887NRY	PAN HEAD SEMS SCREW 2P M5X10 CHROME	2		
11	ZA114NRY	TRUSS M5X10 CHROME	1		

POWER SUPPLY BOX FOR DR. TABLE ACCESSORIES (AU-HV3808)



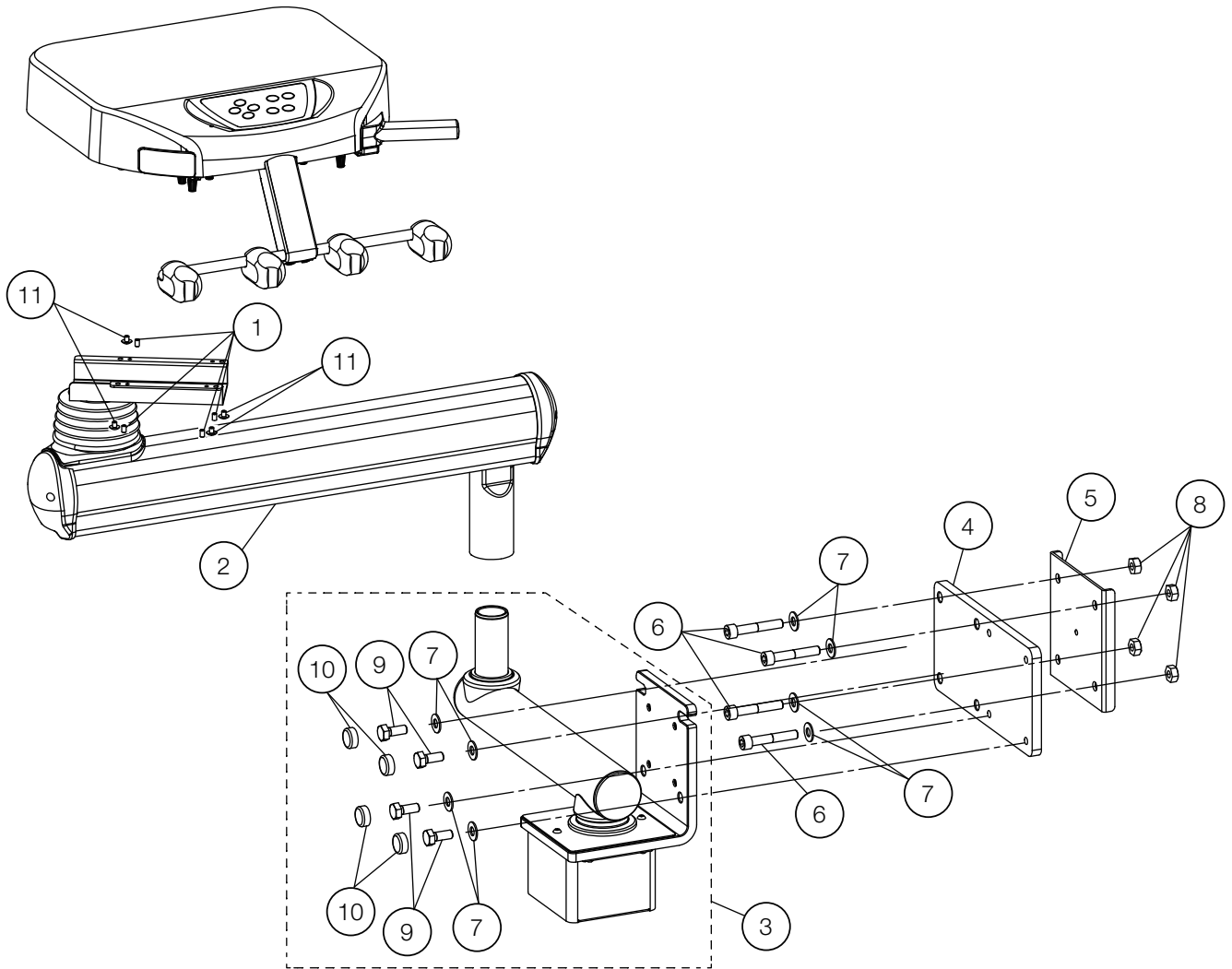
NO.	PARTS NO.	DESCRIPTION	QTY	APPLICABLE SERIAL NO.	NOTE
1	1E00CNB0	POWER CABLE (UL/CSA)	1		
2	AFNA70A0	CORD BUSH (SR-11-2)	1		
3	AEFR92A0	FUSE HOLDER MF-530	2		
4	AFFT64A0	FUSE 6A 250V UL CSA	2		
5	1A0HEPA0	FUSE LABEL	1		
6	1A0H4TB0	AIR SWITCH (JP-L26B AK-144)	1	VG16C0031	
7	1P06J7A0	AIR SWITCH ASSEMBLY	1	VU19A0030	
8	AFFS04A0	1/16 INX10-32 BARB (PLATED)	1		USA P-N: P1052
9	AFFU48A0	WASHER 10-32 (SEAL)	1		USA P-N: P1055
10	AFFW91A0	1/16 IN BARB TEE PLATED	1		USA P-N: P1875
11	ANFT83A0	EARTH WIRE (J-BOX)	1		
12	AFNA12A0	OUTLET (WHITE)	3		
13	1A0HENA0	CAUTION LABEL FOR POWER OUTLET	1		
14	1A0HCVB0	TRUNK LINE L FOR FUSE HOLDER	1	-	
15	1A0HCWB0	TRUNK LINE N FOR FUSE HOLDER	1	-	
16	1A0HCXB0	TRUNK LINE L FOR FUSE HOLDER - POWER SWITCH	1	-	
17	1A0HCYA0	TRUNK LINE N FOR FUSE HOLDER - POWER SWITCH	1		
18	1A0HCZA0	TRUNK LINE FOR POWER SWITCH	1		
19	1A0HD0B0	TRUNK LINE FOR OUTLET	1	-	
20	1A0MGZA0	OUTLET LINE W/ E	2		
21	1A0HD1A0	TRUNK LINE FOR POWER LINE (SECONDARY)	1		
22	AEFR78A0	SNAP BUSHING OCB 875	1		
23	AARA00A0	EARTH MARK	2		
24	1P04YDA0	CAGE CLAMP ASSEMBLY	1		
25	ZA115JPU	BINDING HEAD SCREW M3X8 SUS	7		
26	ZA88JLNM	PAN HEAD SEMS SCREW M4X6 BSNI	2		
27	ZB552LAY	EXTERNAL TOOTH LOCK WASHER M4	2		
28	ZB551QAY	INTERNAL TOOTH LOCK WASHER M10	1		
29	1P04QA0	MAIN AIR SWITCH ASSEMBLY	1		
30	1E04HWA0	CONNECTOR (WF-2/WAGO)	2		

OLD STYLE POWER SUPPLY BOX FOR DR. TABLE ACCESSORIES (AU-HV3807)



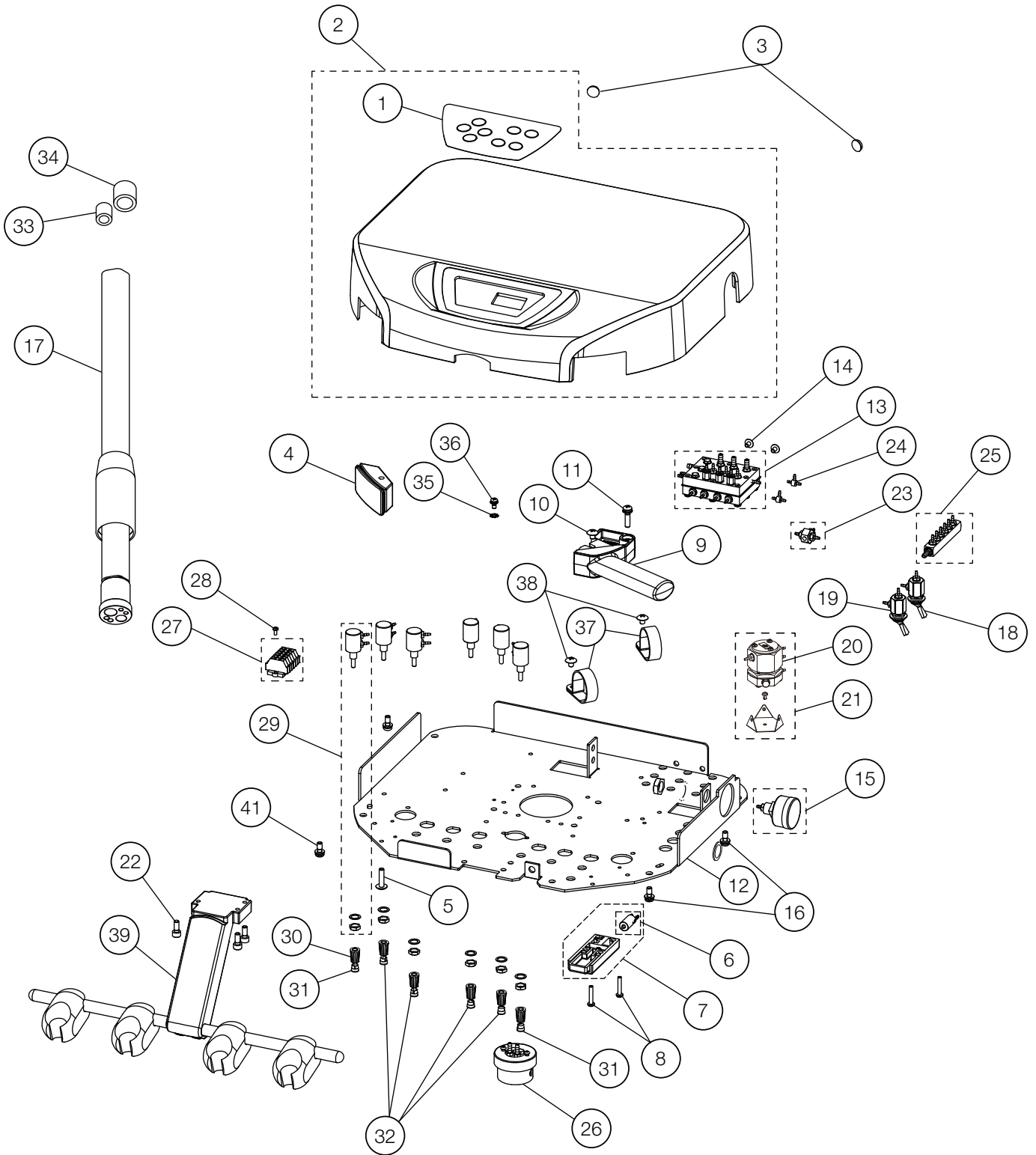
NO.	PARTS NO.	DESCRIPTION	QTY	APPLICABLE SERIAL NO.	NOTE
1	1E00CNB0	POWER CABLE (UL/CSA)	1		
2	AFNA70A0	CORD BUSH (SR-11-2)	1		
3	AEFR92A0	FUSE HOLDER MF-530	2		
4	AFFT64A0	FUSE 6A 250V UL CSA	2		
5	1A0HEPA0	FUSE LABEL	1		
6	1A0H4TB0	AIR SWITCH (JP-L26B AK-144)	1	VG16C0031	
7	1P06J7A0	AIR SWITCH ASSEMBLY	1	VU19A0030	
8	ZA115JPU	BINDING HEAD SCREW M3X8 SUS	3		
9	ZA88JLNM	PAN HEAD SEMS SCREW M4X6 BSNI	2		
10	AFFS04A0	1/16 INX10-32 BARB (PLATED)	1		USA P-N: P1052
11	AFFU48A0	WASHER 10-32 (SEAL)	1		USA P-N: P1055
12	AFFW91A0	1/16 IN BARB TEE PLATED	1		USA P-N: P1875
13	ZB552LAY	EXTERNAL TOOTH LOCK WASHER M4	2		
14	ANFT83A0	EARTH WIRE (J-BOX)	1		
15	ZB551QAY	INTERNAL TOOTH LOCK WASHER M10	1		
16	1P04AQA0	MAIN AIR SWITCH ASSEMBLY	1		
17	1A06HKA0	TRANSFORMER NK-020A	2		
18	AFNA12A0	OUTLET (WHITE)	1		
19	1A0HENA0	CAUTION LABEL FOR POWER OUTLET	1		
20	1A0HCVB0	TRUNK LINE L FOR FUSE HOLDER	1	-	
21	1A0HCWB0	TRUNK LINE N FOR FUSE HOLDER	1	-	
22	1A0HCXB0	TRUNK LINE L FOR FUSE HOLDER - POWER SWITCH	1	-	
23	1A0HCYA0	TRUNK LINE N FOR FUSE HOLDER - POWER SWITCH	1		
24	1A0HCZA0	TRUNK LINE FOR POWER SWITCH	1		
25	1A0HD0B0	TRUNK LINE FOR OUTLET	1	-	
26	1A0HD1A0	TRUNK LINE FOR POWER LINE (SECONDARY)	1		
27	XX-38724035	SNAP BUSHING (OCB 1000)	1		
28	AARA00A0	EARTH MARK	1		
29	1P04ARA0	CAGE CLAMP ASSEMBLY	1		

12-1. SIDE DELIVERY



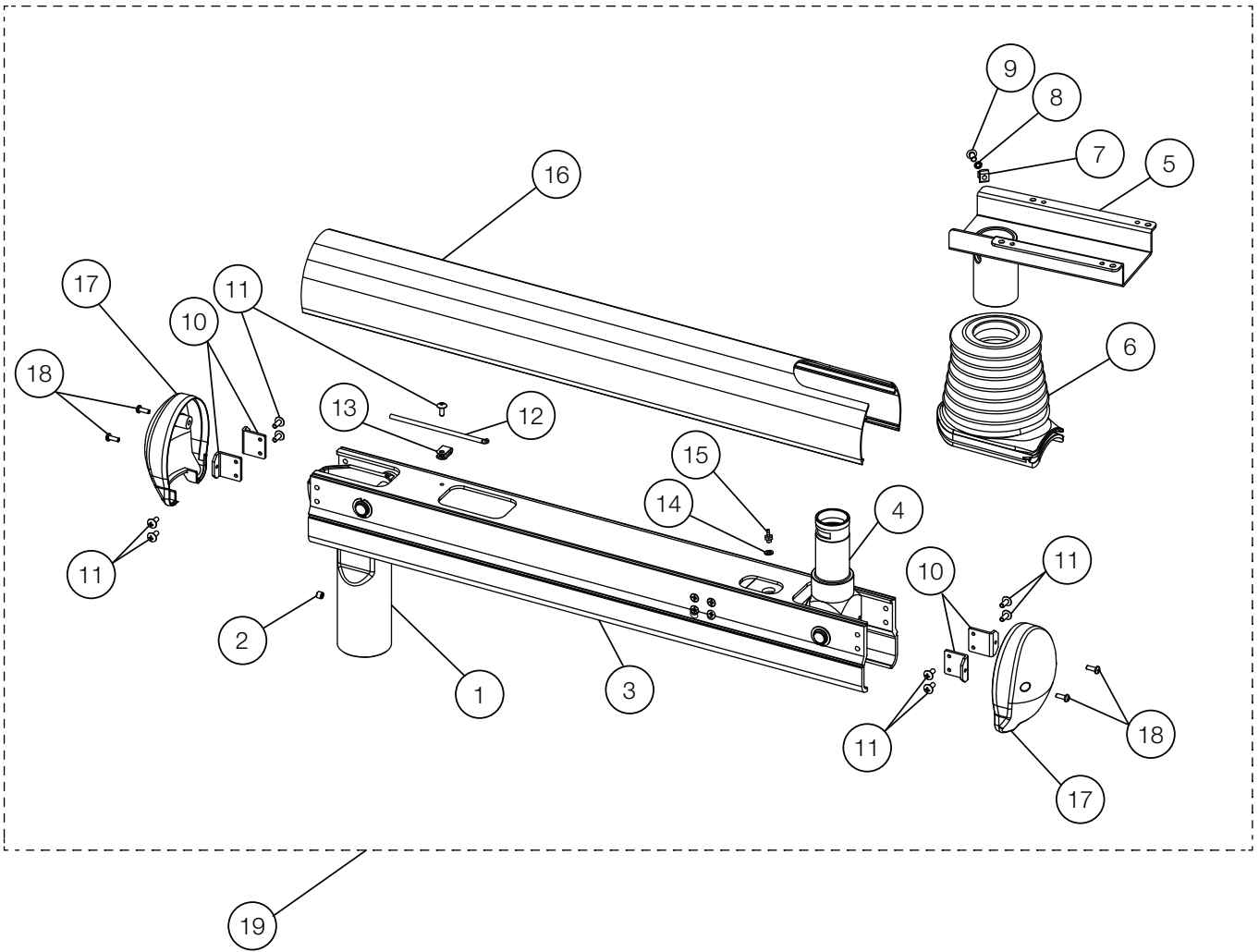
NO.	ID	PARTS NO.	DESCRIPTION	QTY	APPLICABLE SERIAL NO.	NOTE
1	F23	- ZA774NPU	HEX SOCKET SET SCREW(CUP POINT) M5X8 SUS	4		
2	F22	- 1P06HQA0	BALANCE ARM ASSEMBLY	1		
3	F22	- 1P059FA0	MOUNTING BRACKET ASSEMBLY	1		
4	F22	- 1A0NA3BV	MOUNTING PLATE	1		
5	F22	- 1A0NA2A0	REINFORCE PLATE	1		
6	F23	- ZA761Q6U	HEX SOCKET HEAD CAP M8X12 SUS	4		
7	F23	- ZB562QAU	WASHER M10X22X1.6 SUS	8		
8	F23	- ZA812QAU	NUT M10 SUS	4		
9	F23	- ZA80AQYU	HEX HEAD BOLT M10X25 SUS	4		
10	F23	- DENR03BA	BOLT CAP	4		
11	F23	- ZA114NPU	TRUSS M5X8 SUS	4		

DOCTOR TABLE



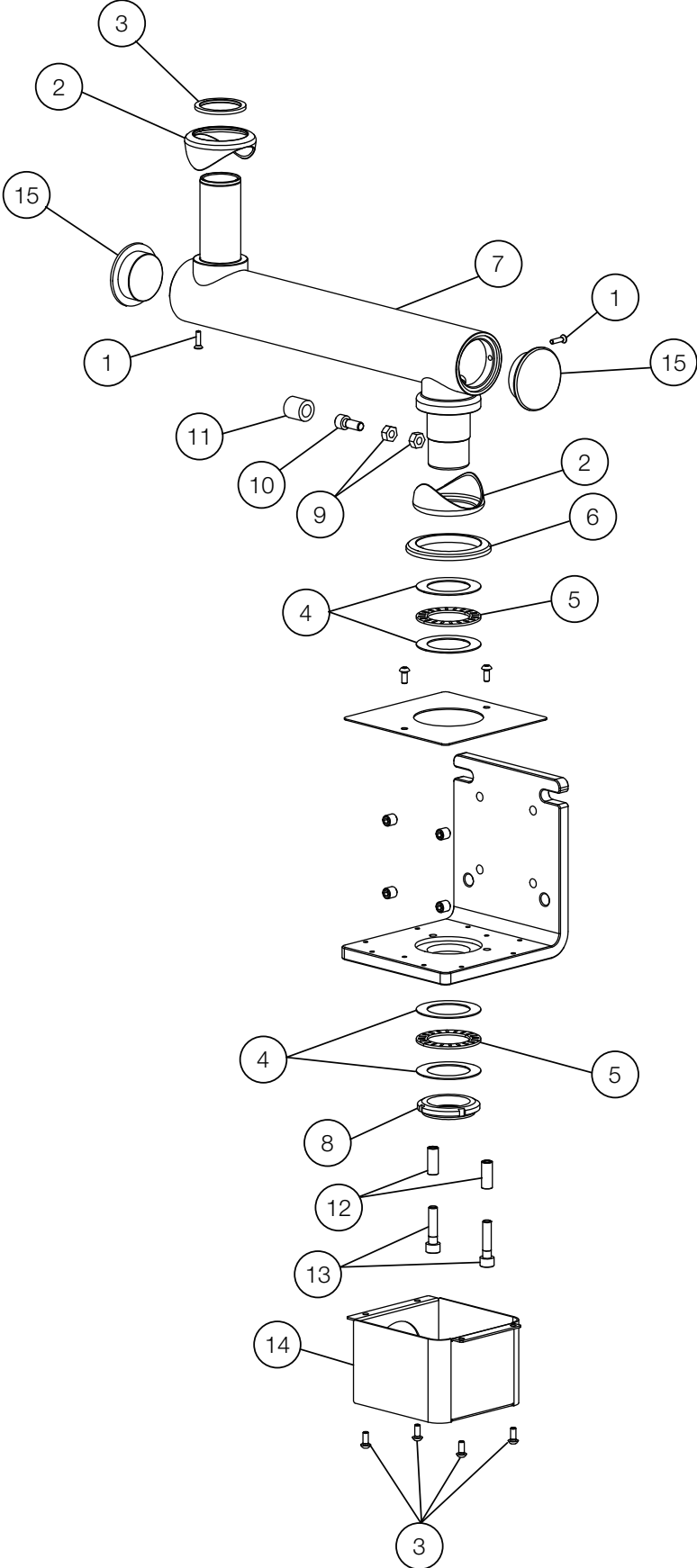
NO.	PARTS NO.	DESCRIPTION	QTY	APPLICABLE SERIAL NO.	NOTE
1	1A0GNHA0	DOCTOR MEMBRANE SWITCH	1		
2	1P0458A0	TABLE TOP WITH MEMBRANE SWITCH	1		
3	FJBA04A0	RUBBER CUSHION	2	VS18J0064	
4	1A0N9YA0	RUBBER COVER	1		
5	ZA114NWU	TRUSS M5X20 SUS	1		
6	1P04AUA0	MICRO PILOT VALVE	1		
7	1P045AA0	AIR BRAKE ASSEMBLY	1		
8	ZA111LWU	PAN HEAD SCREW M4X20 SUS	2		
9	1A0GNBAV	TABLE HANDLE	1		
10	ZA114NNU	TRUSS M5X6 SUS	1		
11	ZA887NXY	PAN HEAD SEMS SCREW 2P M5X22 CHROME	1		
12	1A0NACAV	TABLE CHASSIS	1		
13	1P053SA0	AUTO SELECT VALVE ASSEMBLY FOR 3 HP TUBINGS (EXCEPT FOR SYRINGE)	1		
	1P04DYA0	AUTO SELECT VALVE ASSEMBLY FOR 4 HP TUBINGS (EXCEPT FOR SYRINGE)			
14	ZA114LNU	TRUSS M4X6 SUS	2		
15	1P04AXA0	PRESSURE GAUGE ASSEMBLY	1		
16	ZA88JNSU	PAN HEAD SCREW M5X10 SUS	4		
17	AFFS02A0	HANDPIECE TUBING STRAIGHT 7FT W	3		USA P-N: D432T
18	1P06HRA0	TOGGLE VALVE ASSEMBLY (MAIN SWITCH)	1		
19	1P06HSA0	TOGGLE VALVE ASSEMBLY (FLUSHOUT)	2		
20	1P07FZA0	PULL BACK VALVE	1		
21	1P07FYA0	PULL BACK VALVE WITH BRACKET AND RIVET	1		
22	ZA761NSU	HEX SOCKET HEAD SCREW M5X12 SUS	5		
23	1P053VA0	SHUTTLE VALVE ASSEMBLY	1		
24	AFFW91A0	1/16 IN BARB TEE PLATED	2		USA P-N: P1875
25	1P04AVA0	MANIFOLD W/O BOWL	1		
26	1E04R2A0	OIL MIST SEPARATOR	1		
27	1P057FA0	CAGE CLAMP ASSEMBLY	1		
28	ZA111JNU	PAN HEAD SCREW M3X6 SUS	1		
29	1P04AYA0	NEEDLE VALVE ASSEMBLY	6		
30	FJLA14A0	NEEDLE VALVE KNOB	6		
31	FJLA16A0	CAP FOR KNOB (YELLOW)	2		
32	FJLA15A0	CAP FOR KNOB (BLUE)	4		
33	AFFS15B0	1/8 IN TUBING COLLAR	3		USA P-N: P1061
34	AFFS14B0	1/4 IN TUBING COLLAR	3		USA P-N: P1062
35	ZB552LAU	EXTERNAL TOOTH WASHER M4 SUS	1		
36	ZA88JLPU	PAN HEAD SCREW M4X8 SUS	1		
37	DEBR42A0	NYLON CLAMP 3344 1-1/4	2		
38	ZA114NNU	TRUSS M5X6 SUS	2		
39	1P057GA0	HP HOLDER ASSEMBLY	1		

BALANCE ARM



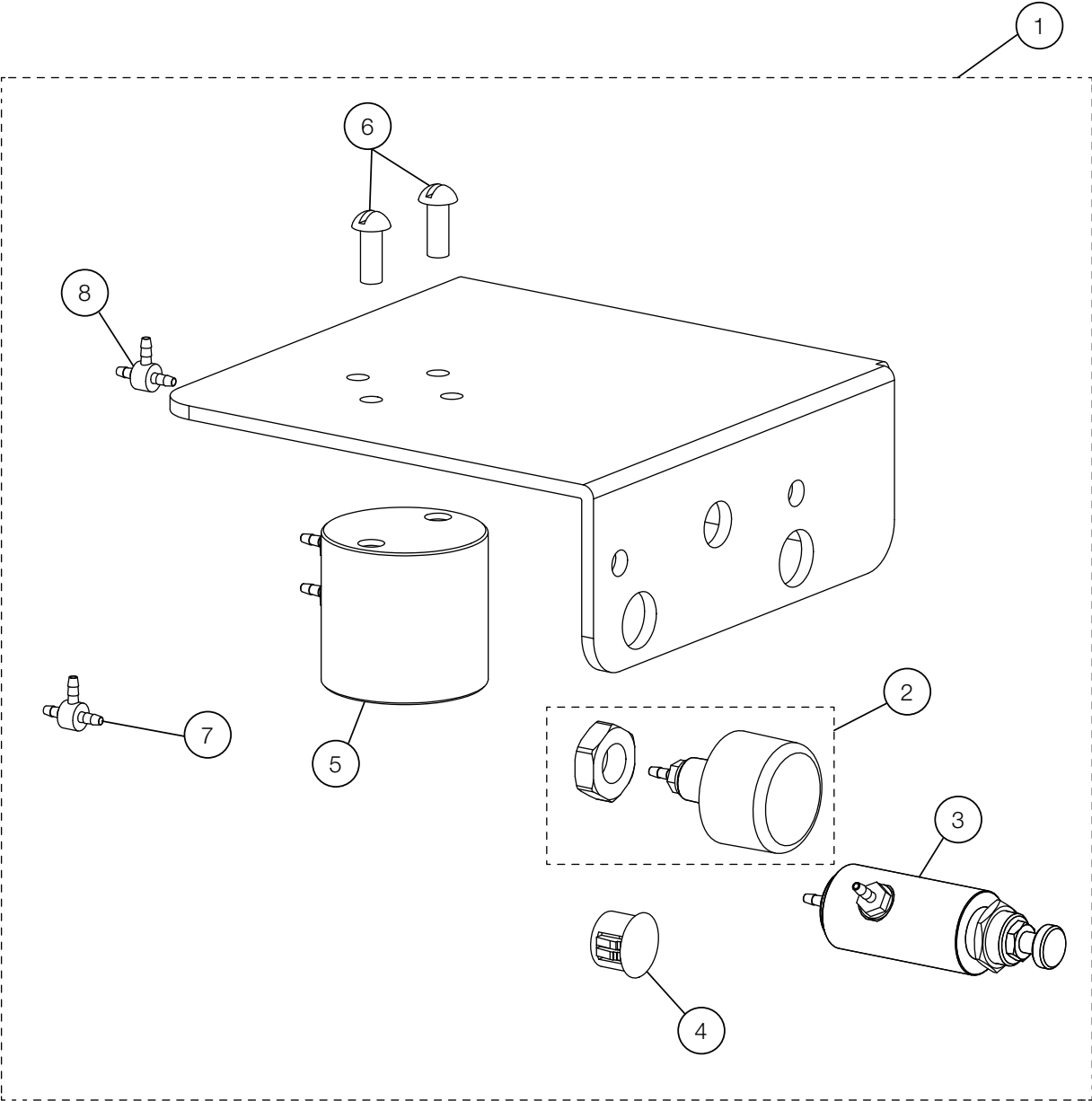
NO.	PARTS NO.	DESCRIPTION	QTY	APPLICABLE SERIAL NO.	NOTE
1	AAFB96C0	SUPPORT JOINT	1	VW20C0014	
2	ZA774OLU	HEX SOCKET SET SCREW (CUP POINT) M6X5 SUS	1		
3	1A0NA0AV	BALANCE ARM FRAME	1		
4	1A0NAAAV	SUPPORT JOINT FRONT	1		
5	1A0NABBV	TABLE BRACKET SIDE	1	VW18I0015	
6	1A0N9XA0	BELLOWS COVER	2		
7	FATA05A0	STOPPER FOR TABLE ROTATION	1		
8	ZB551NAU	WASHER	1		
9	ZSA11NRC	HEX BUTTON HEAD SCREW M6X5 SUS	1		
10	AAFT87A0	BRACKET FOR ARM END CAP	4		
11	ZA114LRU	TRUSS M4X10 SUS	9		
12	CANF43B0	ADJUSTING BAR FOR SPRING	1		
13	APNA19A0	NYLON CLAMP NK-2N	1		
14	AFFU48A0	WASHER 10-32 (SEAL)	1		USA P-N: P1055
15	AFFS04A0	1/16 INX10-32 BARB (PLATED)	1		USA P-N: P1052
16	1A0N9ZAV	PIPING COVER	1		
17	AAFF04C0	END CAP	2		
18	ZA111LRU	PAN HEAD SCREW M4X10 SUS	4		
19	1P057HA0	BALANCE ARM ASSEMBLY	1		

MOUNTING BRACKET



NO.	PARTS NO.	DESCRIPTION	QTY	APPLICABLE SERIAL NO.	NOTE
1	ZA114LSU	TRUSS M4X12 SUS	2		
2	1A0KE7B0	CAP FOR FIRST ARM	2	VW19A0001	
3	AAFT81B0	WASHER FOR ROTATION SHAFT	1	VG16F0001	
4	1E06BNA0	THRUST WASHER AS1108	4		
5	1E06BPA0	THRUST BEARING AXK1108	2		
6	1A0HAEA0	PMU CAP 2	1		
7	1A0NA5BV	FIRST ARM	1		
8	AESA04A0	U NUT FU08SS	1		
9	ZA812PAY	NUT M8	2		
10	ZA761PWU	HEX SOCKET HEAD SCREW M8X20 SUS	1		
11	1A0E68B0	STOPPER RUBBER	1		
12	1E06BMA0	SPACER M8X25 SUS	2		
13	ZA761P1G	HEX SOCKET HEAD SCREW M8X35 SUS	2		
14	1A0NA6AV	MOUNTING BRACKET COVER	1		
15	1A0HB7AV	ARM END CAP	2		

WATER BOTTLE BRACKET



NO.	PARTS NO.	DESCRIPTION	QTY	APPLICABLE SERIAL NO.	NOTE
1	1P057JA0	WATER BOTTLE BRACKET ASSEMBLY	1		
2	1G06Z5A0	PRESSURE GAUGE W3055	1		USA P-N: C1840T
3	AFFS16A0	MINI AIR REGULATOR	1		USA P-N: C1835
4	FEOA24A0	HOLE PLUG DP-500W	1		
5	1G06Z3A0	BOTTLE HEAD 3055	1		USA P-N: RC18041BEL
6	AFFS19A0	10-32 1/2 SCREW SUS	2		USA P-N: RF-2010
7	AFFW91A0	1/16 IN BARB TEE PLATED	2		USA P-N: P1875