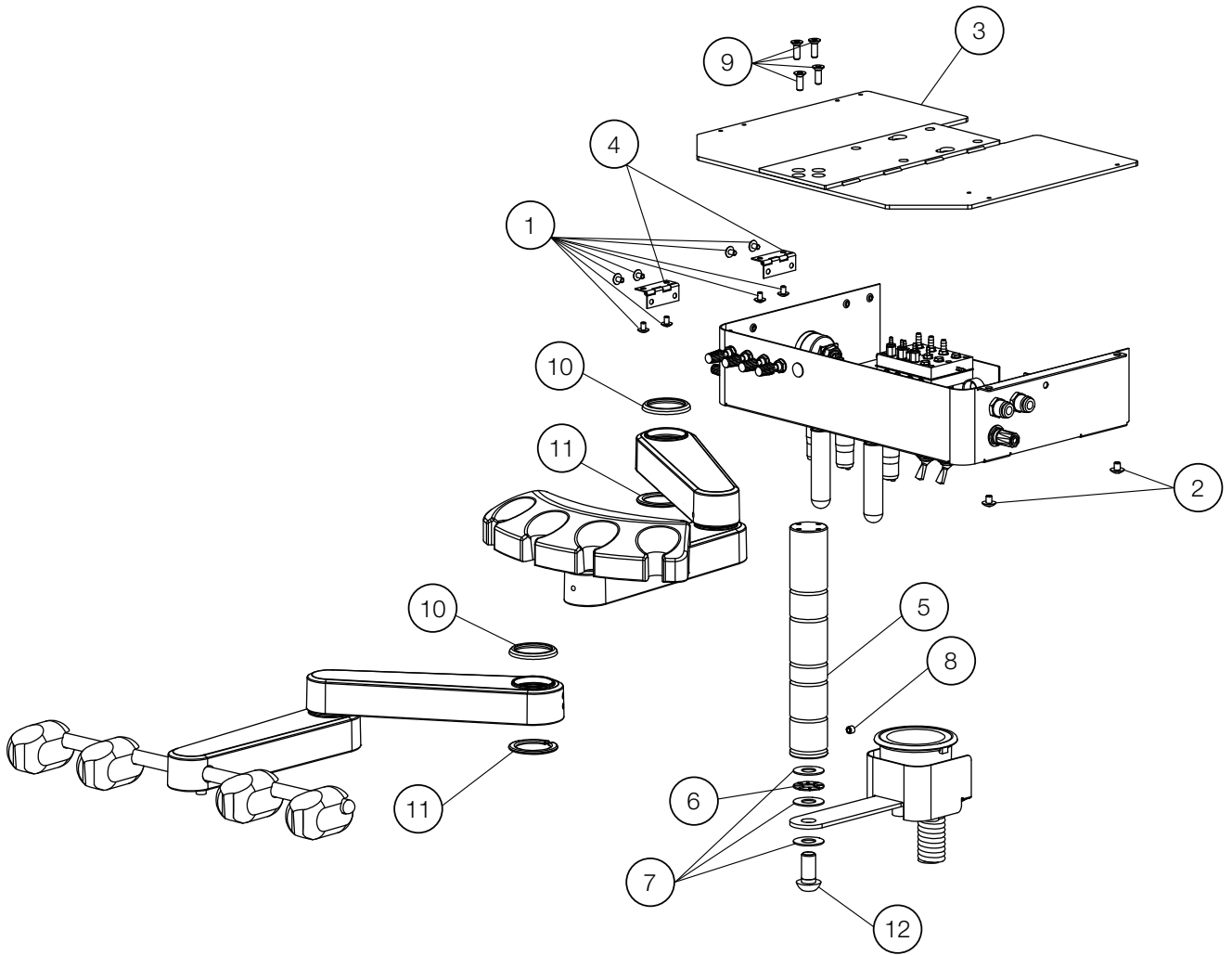
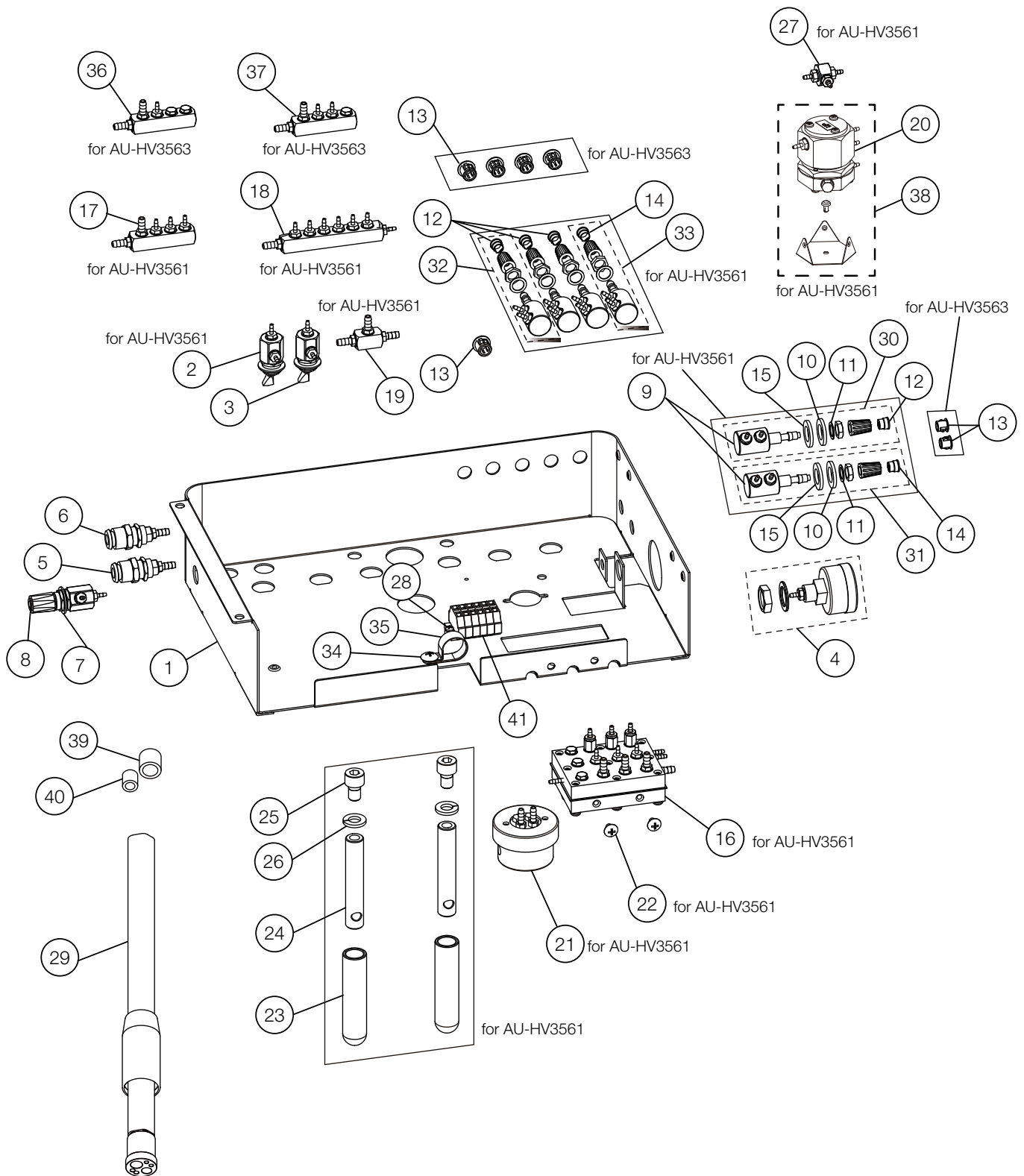


# REAR DELIVERY



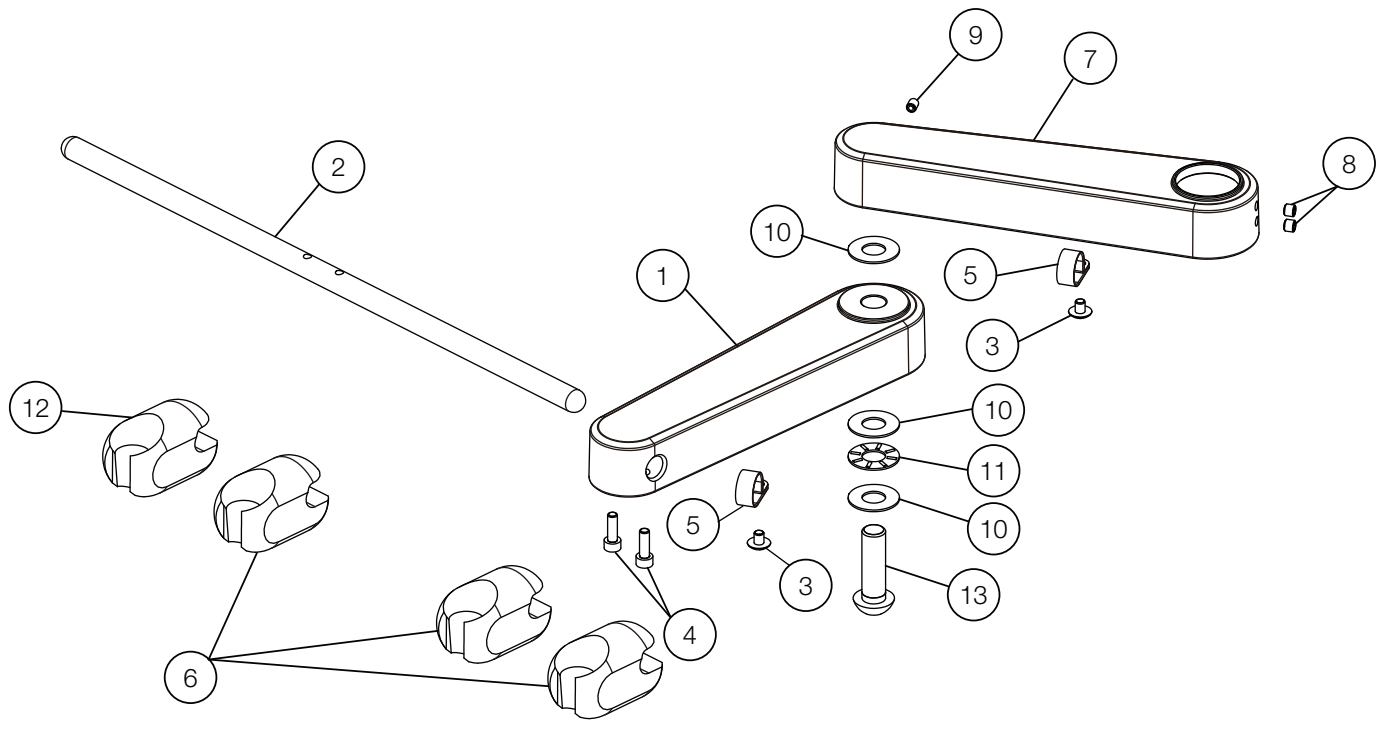
NO.	PARTS NO.	DESCRIPTION	QTY	APPLICABLE SERIAL NO.	NOTE
1	ZA114LNU	TRUSS M4X6 SUS	8		
2	ZA114NNU	TRUSS M5X6 SUS	2		
3	1A0J2UBV	MOUNTING PLATE	1	VW17C0037	
4	AFFS98A0	FLAT HINGE TH-TM-86 SUS	2		
5	1A0J2VA0	ARM SHAFT	1		
6	1E00E5A0	THRUST BEARING (AXK1101)	1		
7	AERN11A0	THRUST WASHER (AS1101)	3		
8	ZA774OLU	HEX SOCKET SET SCREW (CUP POINT) M6X5 SUS	1		
9	ZA112N#Y	COUNTERSUNK HEAD SCREW M5X15 CHROME	4		
10	1A0J6SA0	ARM CAP	2		
11	1A0J30A0	LOCK RING	2		
12	ZSA11RYU	SET SCREW M12X25 SUS	1		

# DOCTOR TABLE

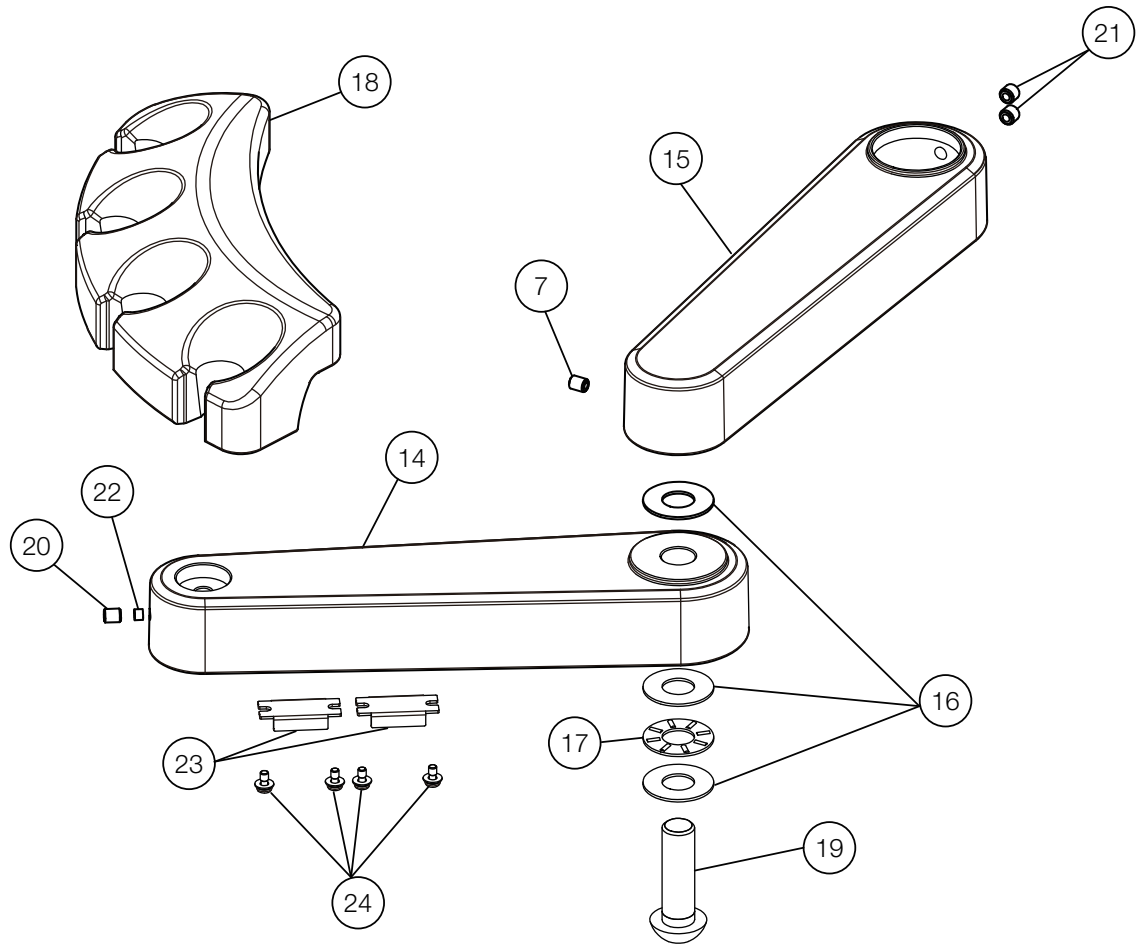


NO.	PARTS NO.	DESCRIPTION	QTY	APPLICABLE SERIAL NO.	NOTE
1	1A0J2TBV	TABLE CHASSIS	1		
2	1P06GMA0	TOGGLE VALVE (MOMENTARY TYPE)	1		
3	1P06GNA0	TOGGLE VALVE (ALTERNATE TYPE)	1		
4	1P04AXA0	PRESSURE GAUGE ASSEMBLY	1		
5	AFFS27A0	H2O QUICK DISCONNECT 1/4 IN YELLOW	1		USA P-N: P1075YEL
6	AFFS26A0	H2O QUICK DISCONNECT 1/4 IN BLUE	1		USA P-N: P1075BLU
7	FALC54A0	FLAT WASHER (WATER ADJUSTMENT)	1		
8	1P04B2A0	NEEDLE VALVE ASSEMBLY	1		USA P-N: V1511G
9	1P053RA0	SMALL NEEDLE VALVE	6		
10	FALC50A0	WASHER	6		
11	FALC49A0	NUT	6		
12	FJLA15A0	CAP FOR KNOB (BLUE)	4		
13	1E059UA0	HOLE PLUG CP30HP3	7		
14	FJLA16A0	CAP FOR KNOB (YELLOW)	2		
15	1E03K7A0	WASHER M10X18X2 SUS	4		
16	1P053SA0	AUTO SELECT VALVE ASSEMBLY FOR 3 HP TUBINGS (EXCEPT FOR SYRINGE)	1		
	1P04DYA0	AUTO SELECT VALVE ASSEMBLY FOR 4 HP TUBINGS (EXCEPT FOR SYRINGE)			
17	1P053HA0	MANIFOLD 4P (AU-HV3561)	1		
18	1P04AWA0	MANIFOLD 8P W/ BOWL TYPE	1		
19	1P053FA0	T-JOINT 1/4X3	1		
20	1P07FZA0	PULL BACK VALVE	1		
21	1E04R2A0	OIL MIST SEPARATOR	1		
22	ZA114LNU	TRUSS M4X6 SUS	2		
23	G-00500	HANDLE (WHITE)	2		
24	1A0KN5A0	STOP BAR	2		
25	ZA761PSU	HEX SOCKET HEAD SCREW M8X12 SUS	2		
26	ZB511PAU	SPRING WASHER M8 SUS	2		
27	1P053VA0	SHUTTLE VALVE ASSEMBLY	1		
28	ZA111JNU	PAN HEAD SCREW M3X6 SUS	1		
29	AFFS02A0	HANDPIECE TUBING STRAIGHT 7FT W	3		USA P-N: D432T
30	1P053XA0	NEEDLE VALVE W/ WASHERS FOR WATER	1		
31	1P053YA0	NEEDLE VALVE W/ WASHERS FOR AIR	1		
32	1P053ZA0	NEEDLE VALVE FOR WATER	3		
33	1P0540A0	NEEDLE VALVE FOR AIR	1		
34	ZA114NNU	TRUSS M5X6 SUS	1		
35	Q-31130	NYLON CLAMP (3330 5/8)	1		
36	1P053KA0	MANIFOLD 4P FOR WATER (AU-HV3563)	1		
37	1P053JA0	MANIFOLD 4P FOR AIR (AU-HV3563)	1		
38	1P07FYA0	PULL BACK VALVE WITH BRACKET AND RIVET	1		
39	AFFS14B0	1/4 IN TUBING COLLAR	6		USA P-N: P1062
40	AFFS15B0	1/8 IN TUBING COLLAR	6		USA P-N: P1061
41	1P057FA0	CAGE CLAMP ASSEMBLY	1		

# DOCTOR ARM

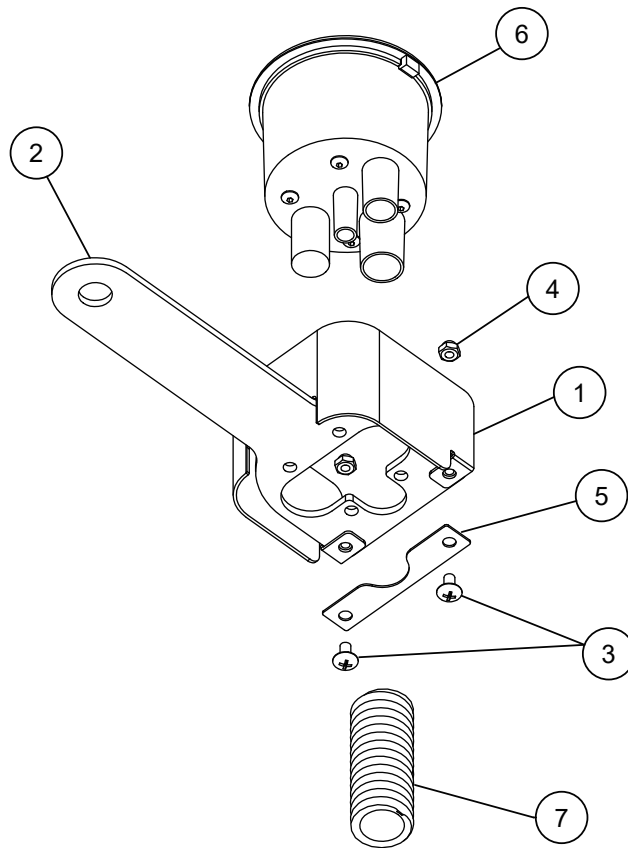


# ASSISTANT ARM



NO.	PARTS NO.	DESCRIPTION	QTY	APPLICABLE SERIAL NO.	NOTE
1	1A0J2YBV	DOCTOR ARM	1		
2	1A0J34A0	HOLDER BAR	1		
3	ZA114NNU	TRUSS M5X6 SUS	2		
4	ZA761N#U	HEX SOCKET HEAD CAP BOLT M5 X15 SUS	2		
5	Q-31130	NYLON CLAMP (3330 5/8)	2		
6	AFFX36B0	HANDPIECE HOLDER	3	VW17H0130	USA P-N: D4579
7	1P053GA0	FIRST ARM W/BUSH	1		
8	ZA774OLU	HEX SOCKET SET SCREW (CUP POINT) M6X5 SUS	2		
9	ZA774NNU	HEX SOCKET SET SCREW (CUP POINT) M5X6 SUS	1		
10	AERN11A0	THRUST WASHER (AS1101)	3		
11	1E00E5A0	THRUST BEARING (AXK1101)	1		
12	AFFX37B0	SYRINGE HOLDER	1	VW17H0130	USA P-N: D4578
13	ZSA11R2U	HEX SOCKET HEAD CAP BOLT M12X40 SUS	1		
14	1A0J2ZBV	ASSISTANT ARM	1	VW17F0104	
15	1P053GA0	FIRST ARM W/BUSH	1		
16	AERN11A0	THRUST WASHER (AS1101)	3		
17	1E00E5A0	THRUST BEARING (AXK1101)	1		
18	FASA85D0	ASSISTANT HOLDER	1		
19	ZSA11R2U	HEX SOCKET HEAD CAP BOLT M12X40 SUS	1		
20	ZA774NNU	HEX SOCKET SET SCREW (CUP POINT) M5X6 SUS	2		
21	ZA774OLU	HEX SOCKET SET SCREW (CUP POINT) M6X5 SUS	2		
22	1E02E1A0	ROUND BELT PHI4 (ORANGE)	0.01m		
23	FJCA14B0	MAGNET CATCH	2		
24	ZA88JJNY	PAN HEAD SEMS SCREW 3P M3X6 CHROME	4		

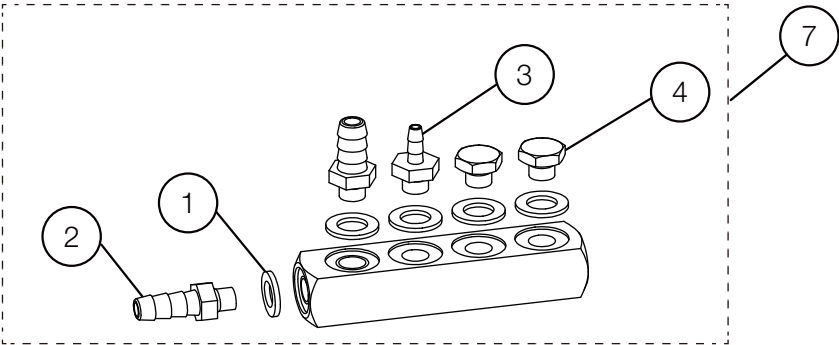
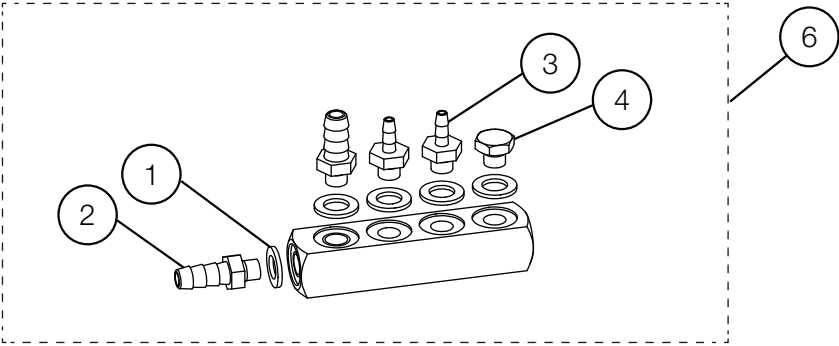
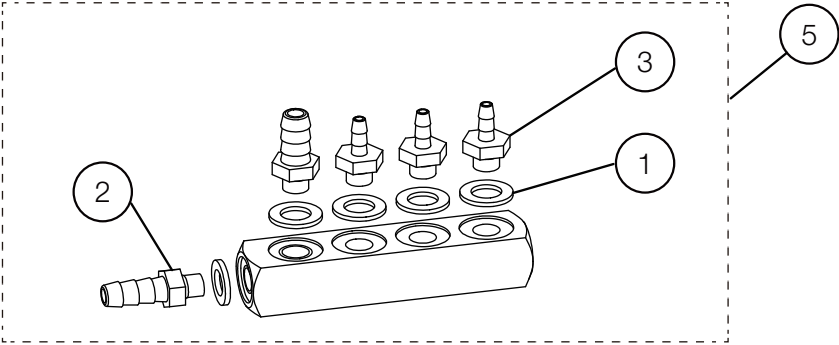
VACUUM



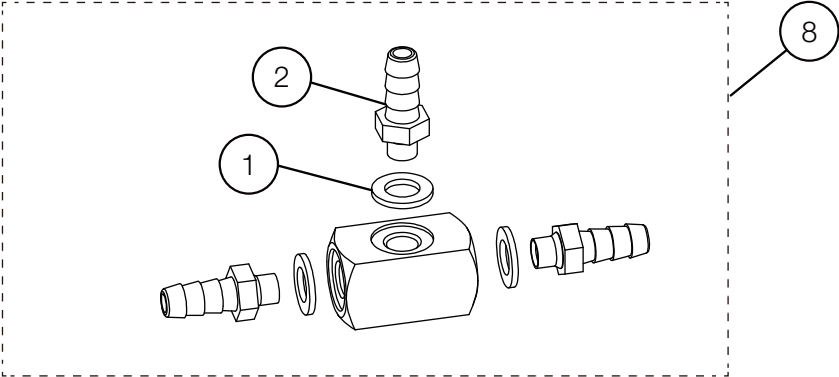
NO.	PARTS NO.	DESCRIPTION	QTY	APPLICABLE SERIAL NO.	NOTE
1	1A0JF3AV	PLATE VC COVER	1		
2	1A0J33BV	VC PLATE	1	VW17C0037	
3	ZA114LPU	TRUSS M4X8 SUS	2		
4	ZA831LAU	NUT M4 SUS	2		
5	1A0K96AV	VC HOSE CLIP	1		
6	1E05A0B0	VACUUM CANISTER (BOTTOM PORT GRAY)	1	VW18D0009	USA P-N: S1385
7	AFFS39A0	VACUUM HOSE 5/8 SPIROLOCK	3.5m		USA P-N: T1746



MANIFOLD 4P

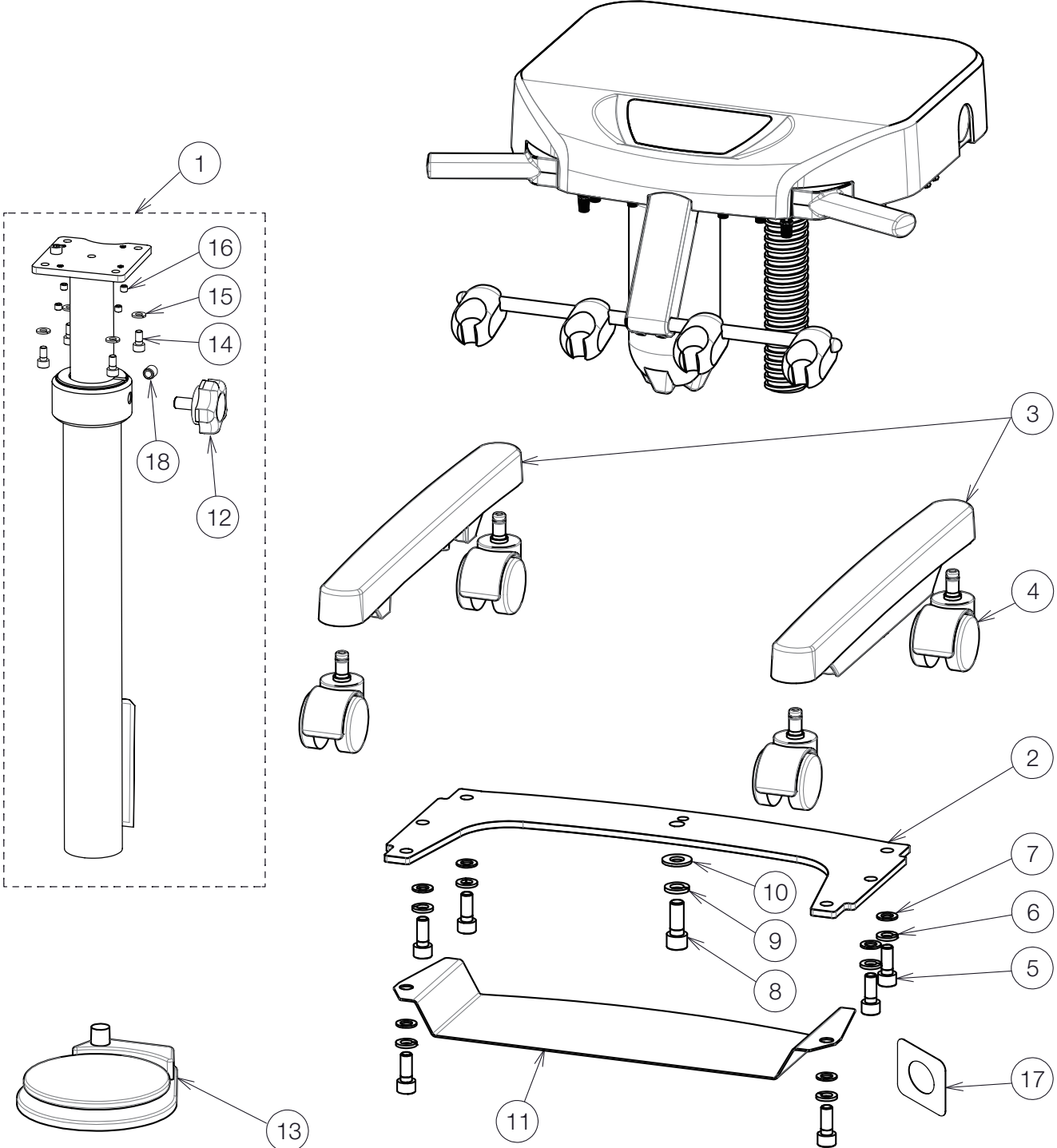


T-JOINT



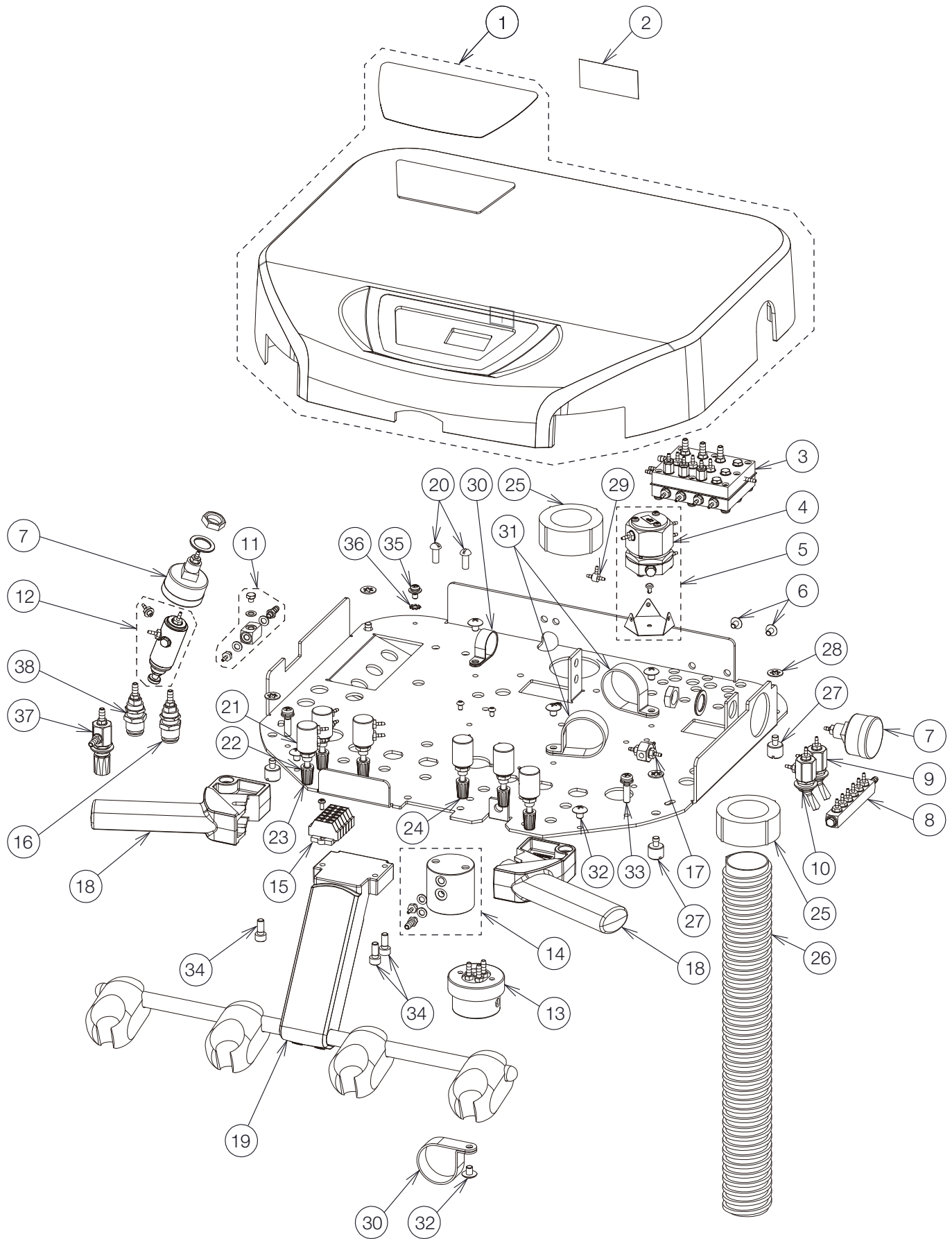
NO.	ID	PARTS NO.	DESCRIPTION	QTY	APPLICABLE SERIAL NO.	NOTE
1	F24	- AFFU48A0	WASHER 10-32(SEAL)	-		USA P-N: P1055
2	F24	- AFFS05A0	1/8 INX10-32 BARB (PLATED)	-		USA P-N: P1053
3	F24	- AFFS04A0	1/16 INX10-32 BARB (PLATED)	-		USA P-N: P1052
4	F24	- AFFU49A0	BRASS HEX PLUG 10-32	-		USA P-N: P1054
5	F22	- 1P053HA0	MANIFOLD 4P FOR AIR (AU-HV3561)	1		
6	F22	- 1P053JA0	MANIFOLD 4P FOR AIR (AU-HV3563)	1		
7	F22	- 1P053KA0	MANIFOLD 4P FOR WATER (AU-HV3563)	1		
8	F22	- 1P053FA0	T-JOINT 1/8X3	1		

CART BASE



NO.	ID	PARTS NO.	DESCRIPTION	QTY	APPLICABLE SERIAL NO.	NOTE
1	F22	- 1P07FWA0	CART POST ASSEMBLY	1		
2	F22	- 1A0Y1ZA0	BASE PLATE FOR CART	1		
3	F22	- 1A0Y20A0	BASE LEG FOR CART	2		
4	F23	- AEFV44B0	CASTER (GREY)	4		
5	F23	- ZA761QYY	HEX SOCKET HEAD SCREW M10X25 CHROME	6		
6	F23	- ZB511QAY	SPRING WASHER M10 CHROME	6		
7	F23	- 1E00BKA0	WASHER M10X22X1 CHROME	6		
8	F23	- ZA761RZY	HEX SOCKET HEAD SCREW M12X30 CHROME	1		
9	F23	- ZB511RAY	SPRING WASHER M12 CHROME	1		
10	F23	- 1E015HA0	WASHER M12X20X1.6 CHROME	1		
11	F22	- 1A0Y25A0	PLATE FOR FOOT CONTROLLER	1		
12	F22	- 1P07FXA0	FITTING KNOB WITH HEX BOLT M10X30 SUS	1		
13	F24	- 1E04R1B0	WET/DRY FOOT CONTROL	1		USA P-N: F1210
14	F22	- ZA761OSU	HEX SOCKET HEAD SCREW M6X12 SUS	4		
15	F23	- ZB511OAU	SPRING WASHER M6 SUS	4		
16	F23	- ZA774OLU	HEX SOCKET SET SCREW (CUP POINT) M6X5 SUS	4		
17	F22	- 1A0Y1YA0	FIXING PLATE FOR HOSE	2		
18	F23	- ZA774QRU	HEX SOCKET SET SCREW(CUP POINT) M10X10 SUS	1		

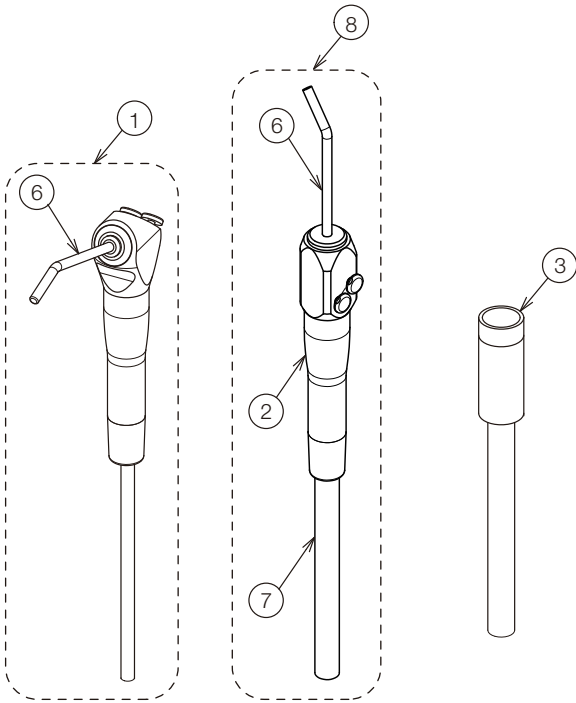
DOCTOR TABLE



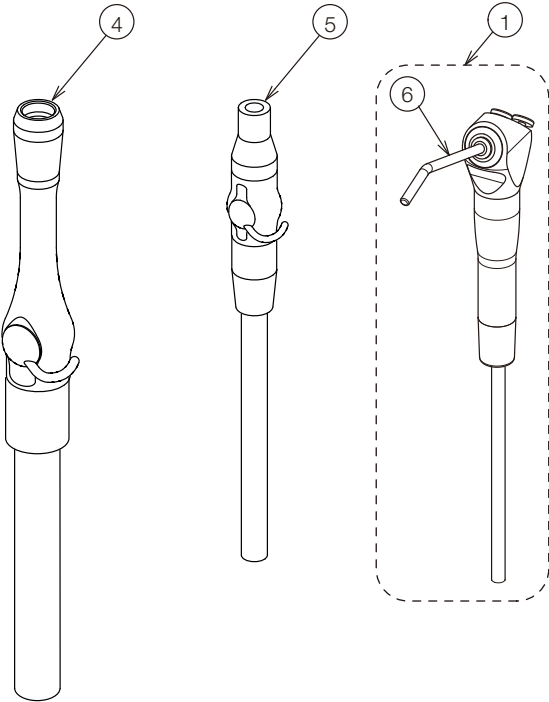
NO.	ID	PARTS NO.	DESCRIPTION	QTY	APPLICABLE SERIAL NO.	NOTE
1	F22	- 1P07FUA0	DR. TABLE COVER FOR CART	1		
2	F22	- 1A0YF7B0	PROHIBITED LABEL	1		
3	F22	- 1P053SA0	AUTO SELECT VALVE ASSEMBLY FOR 3 HP TUBINGS (EXCEPT FOR SYRINGE)	1		REFER TO P.10-11 FOR COMPONENT PARTS
	F22	- 1P04DYA0	AUTO SELECT VALVE ASSEMBLY FOR 4 HP TUBINGS (EXCEPT FOR SYRINGE)			
4	F22	- 1P07FZA0	PULL BACK VALVE	1		
5	F22	- 1P07FYA0	PULL BACK VALVE WITH BRACKET AND RIVET	1		
6	F23	- ZA114LNU	TRUSS M4X6 SUS	2		
7	F22	- 1P04AXA0	PRESSURE GAUGE ASSEMBLY	2		
8	F22	- 1P04AVA0	MANIFOLD W/O BOWL	1		REFER TO P.12-13 FOR COMPONENT PARTS
9	F22	- 1P06GNA0	TOGGLE VALVE ASSEMBLY (MAIN SWITCH)	1		
10	F22	- 1P06GMA0	TOGGLE VALVE ASSEMBLY (FLUSHOUT, BOWL FLUSH, CUPFILLED)	1		
11	F22	- 1P07FVA0	T-JOINT WITH 1/8 BF, 1/4 BF, PLUG	1		
12	F22	- 1P07GCA0	MINI-AIR REGULATOR WITH 1/8 BARB AND WASHER	1		
13	F22	- 1E04R2A0	OIL-MIST SEPARATOR	1		
14	F24	- AFFW92A0	WATER BOTTLE HEAD	1		
15	F22	- 1P057FA0	CAGE CLAMP ASSEMBLY	1		
16	F22	- AFFS27A0	H2O QUICK DISCONNECT 1/4 IN YELLOW	1		USA P-N: P1075YEL
17	F22	- 1P06GPA0	SHUTTLE VALVE ASSEMBLY	1		
18	F22	- 1A0GNBAV	TABLE HANDLE	2		
19	F22	- 1P04B0A0	HP HOLDER ASSEMBLY	1		REFER TO P.8-9 FOR COMPONENT PARTS
20	F23	- AFFS19A0	10-32 1/2 SCREW SUS	2		USA P-N: RF-2010
21	F22	- 1P04AYA0	NEEDLE VALVE ASSEMBLY	6		
22	F23	- FJLA14A0	NEEDLE VALVE KNOB	6		
23	F23	- FJLA16A0	CAP FOR KNOB (YELLOW)	2		
24	F23	- FJLA15A0	CAP FOR KNOB (BLUE)	4		
25	F23	- FAME17A0	CLAMP FOR UMBILICAL HOSE	2		
26	F23	- DESR37A0	UMBILICAL HOSE	2.3M		
27	F22	- 1A0RF6B0	KNURLED SCREW M5X7	4		
28	F22	- 1E071CA0	PLASTIC WASHER M6/M5	4		
29	F23	- AFFW91A0	1/16 IN BARB TEE PLATED	1		USA P-N: P1875
30	F23	- X-50540	NYLON CLAMP 3/4	2		
31	F23	- DEBR42A0	NYLON CLAMP 1-1/4	2		
32	F23	- ZA114NNU	TRUSS M5X6 SUS	6		
33	F23	- ZA887NXY	PAN HEAD SEMS SCREW 2P M5X22 CHROME	2		
34	F23	- ZA761NSU	HEX SOCKET HEAD SCREW M5X12 SUS	3		
35	F23	- ZA88JLPU	PAN HEAD SCREW M4X8 SUS	1		
36	F23	- ZB552LAU	EXTERNAL TOOTH WASHER M4 SUS	1		
37	F24	- 1P04B2A0	NEEDLE VALVE ASSEMBLY	1		USA P-N: V1511G
38	F24	- AFFS26A0	H2O QUICK DISCONNECT 1/4 IN BLUE	1		USA P-N: P1075BLU

HANDPIECE

DOCTOR



ASSISTANT

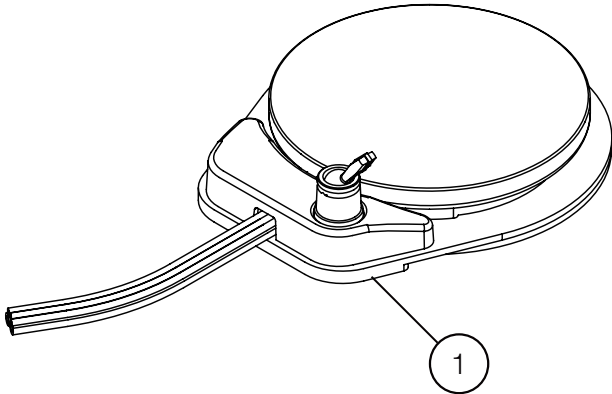


NO.	ID	PARTS NO.	DESCRIPTION	QTY	APPLICABLE SERIAL NO.	NOTE
1	F23	DEQR05A0	QUICK CLEAN SYRINGE FOR TRADITIONAL DELIVERY WITH 7 FT GRAY TUBING AND REPAIR KIT	-		USA P-N: D3439
2	F23	1E03YRA0	QUICK CLEAN SYRINGE FOR CONTINENTAL DELIVERY WITH 7 FT GRAY TUBING AND REPAIR KIT	-		USA P-N: D3459
3	F24	AFFS02A0	HANDPIECE TUBING STRAIGHT 7FT W	-		USA P-N: D432T
4	F24	1E095SA0	VACUUM HANDPIECE ASSY (DCI TYPE)	-		USA P-N: S-1132
5	F24	1E095TA0	SALIVA EJECTOR HANDPIECE ASSY (DCI TYPE)	-		USA P-N: S-1230
6	F23	RDIA04A0	SYRINGE TIP (DCI TYPE)	-		
7	F23	1P07WFA0	COVER HOSE WITH SPACER AND SLEEVE	-		
8	F23	1P06KDA0	QUICK CLEAN SYRINGE FOR CONTINENTAL DELIVERY WITH 7 FT GRAY TUBING, COVER HOSE AND REPAIR KIT)	-		

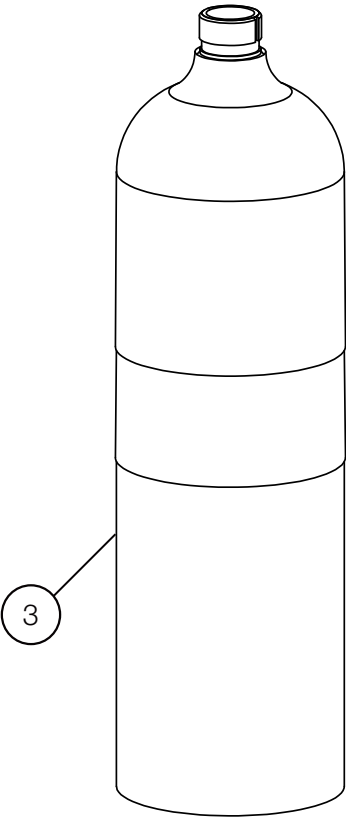


ACCESSORY

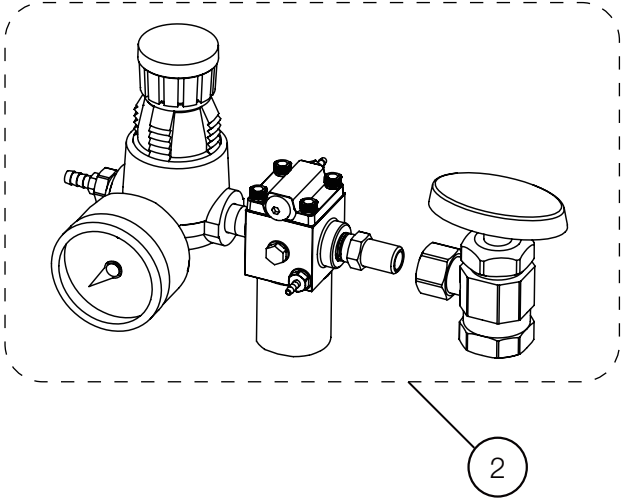
FOOT CONTROLLER



WATER BOTTLE (2L)

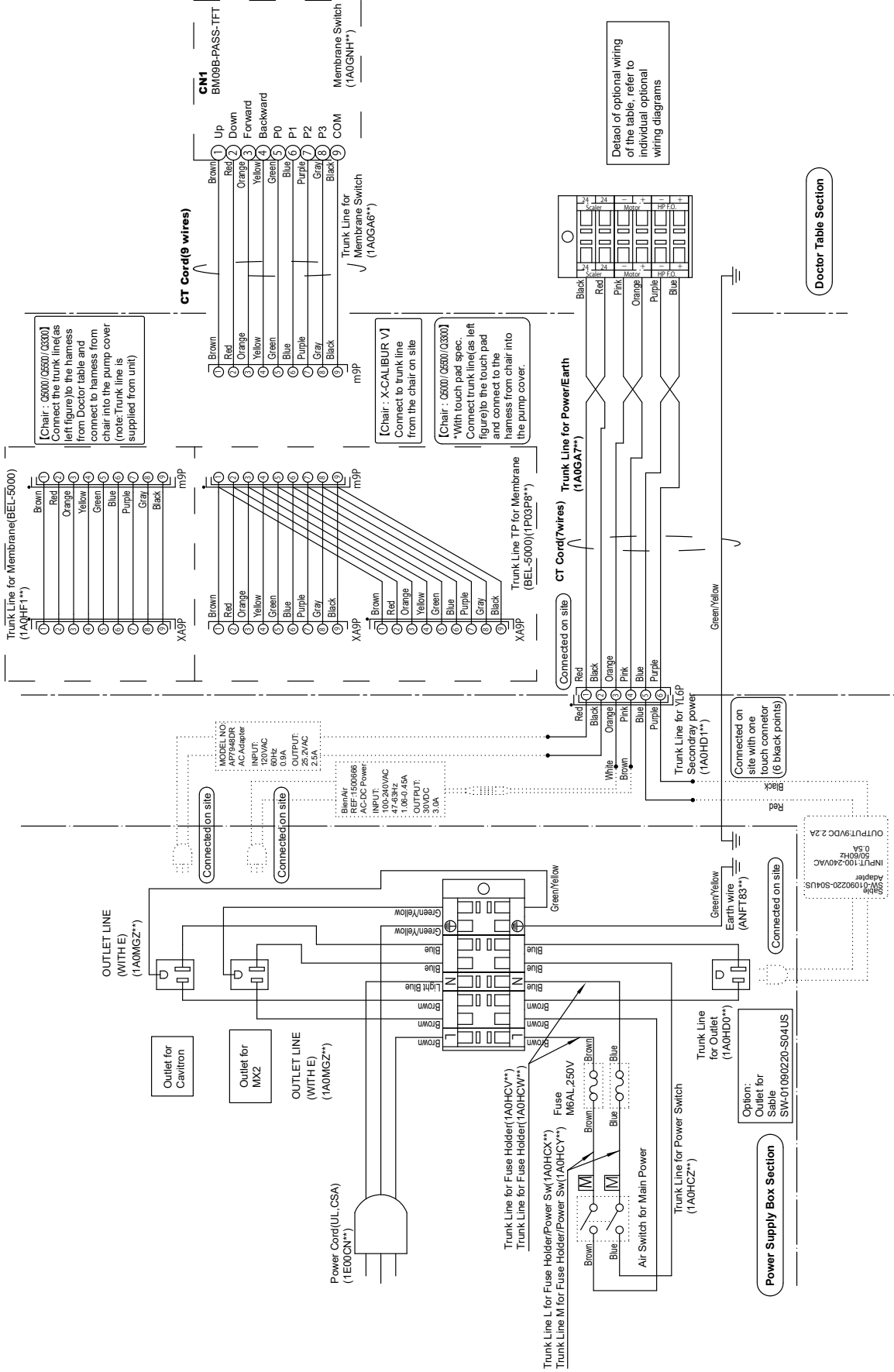


AIR UTILITY PACKAGE

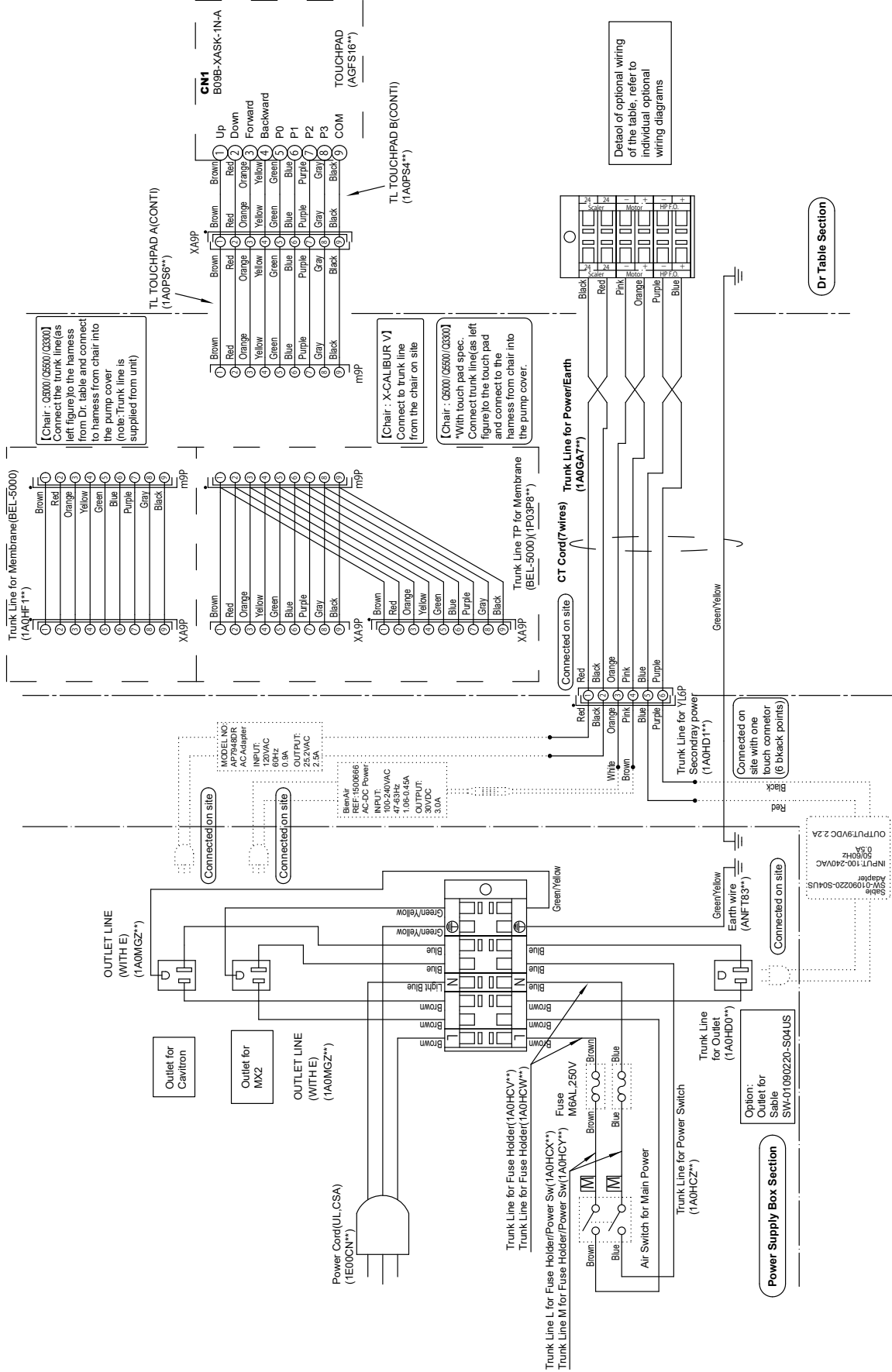


NO.	ID	PARTS NO.	DESCRIPTION	QTY	APPLICABLE SERIAL NO.	NOTE
1	F23	- 1E04R1B0	FOOT CONTROLLER	1		USA P-N: F1210
2	F23	- 1E04R4D0	AIR UTILITY PACKAGE	1		USA P-N: 99V1955
3	F23	- AFFS21B0	WATER BOTTLE 2L	1		USA P-N: D8164

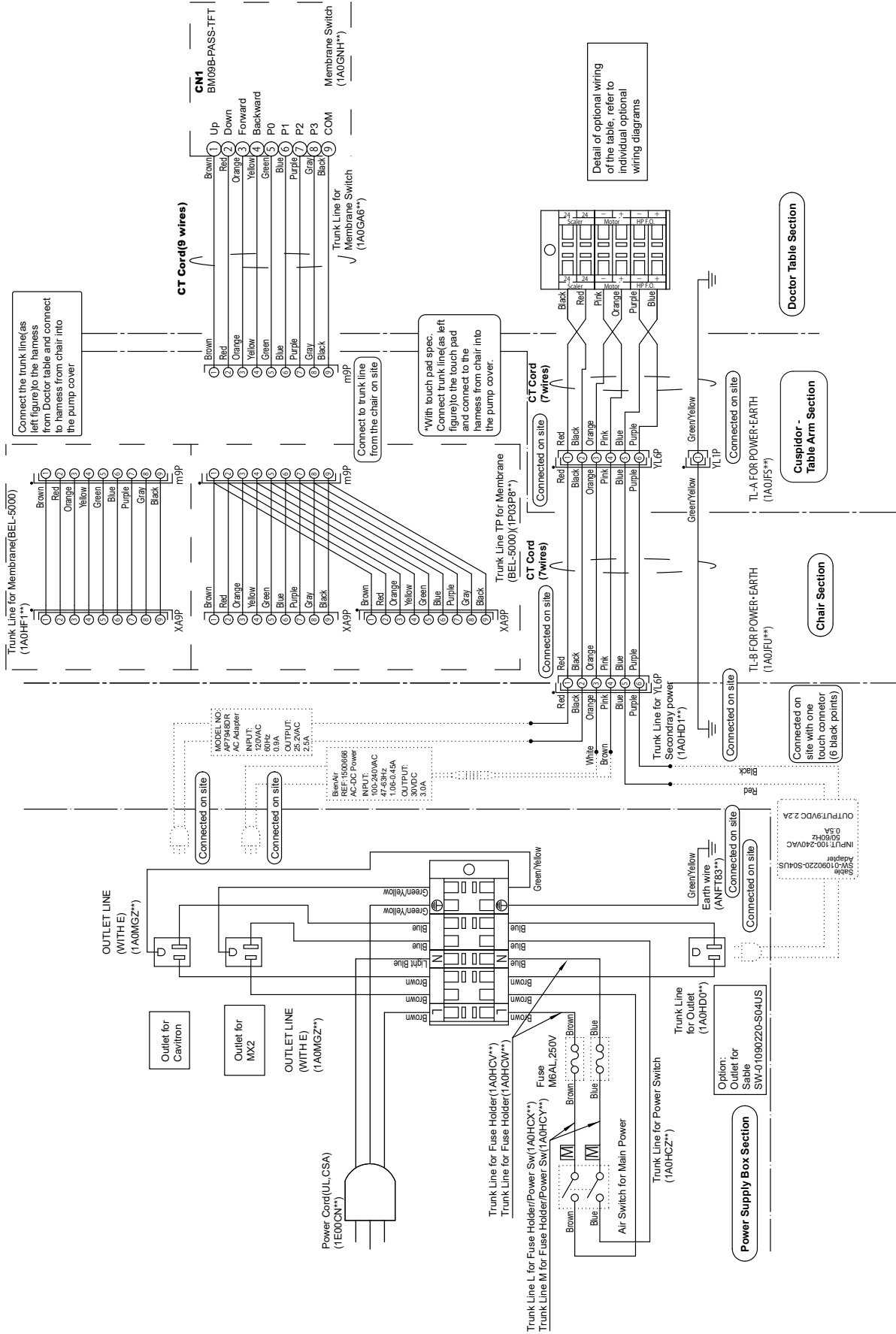
# AU-HV3808 SWING MOUNTED DELIVERY SYSTEM WITH X-CALIBUR V / Q5000 / Q5500 / Q3300



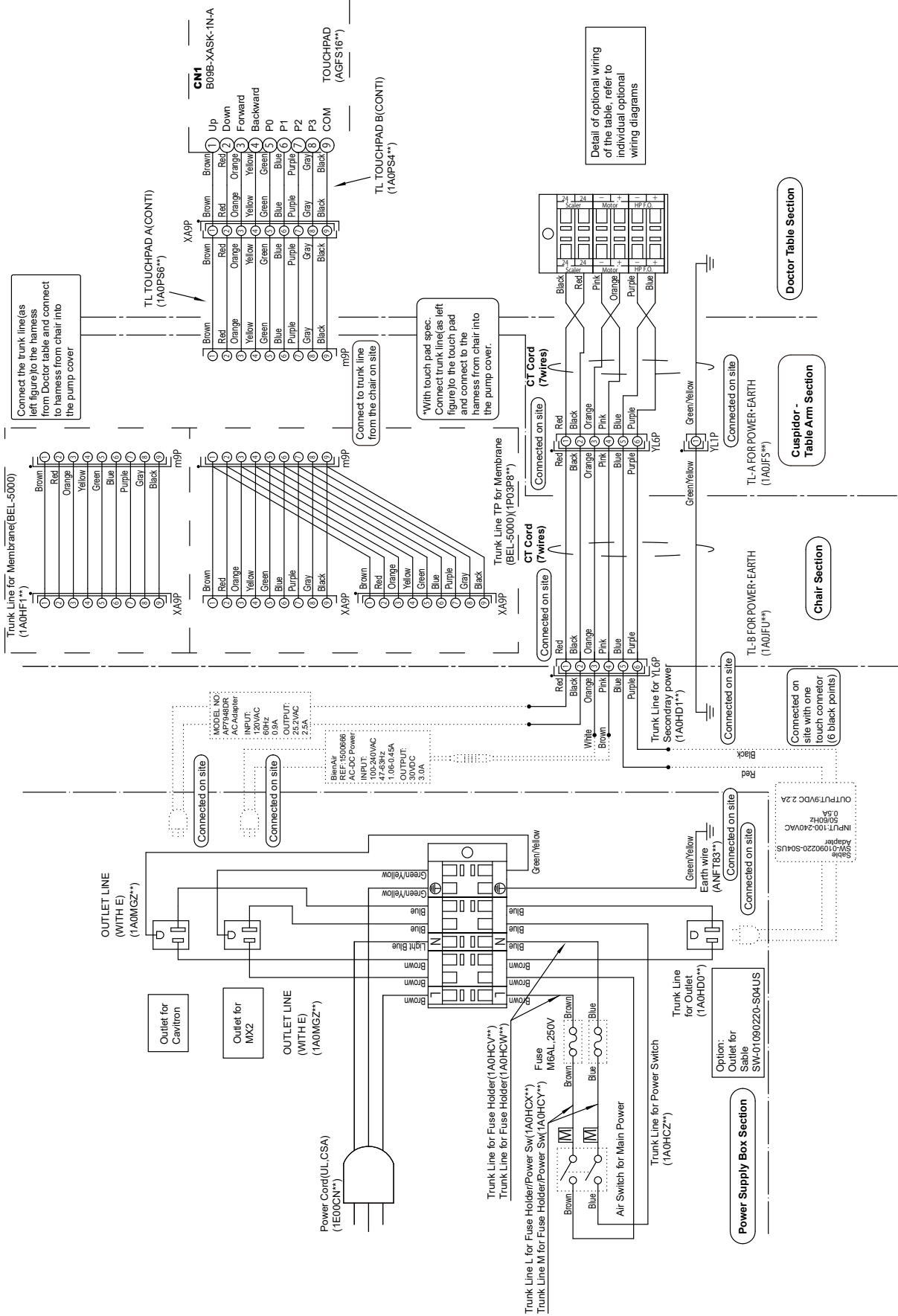
# AU-HV3808 SWING MOUNTED DELIVERY SYSTEM WITH CONTINENTAL TYPE X-CALIBUR V / Q5000 / Q5500 / Q3300



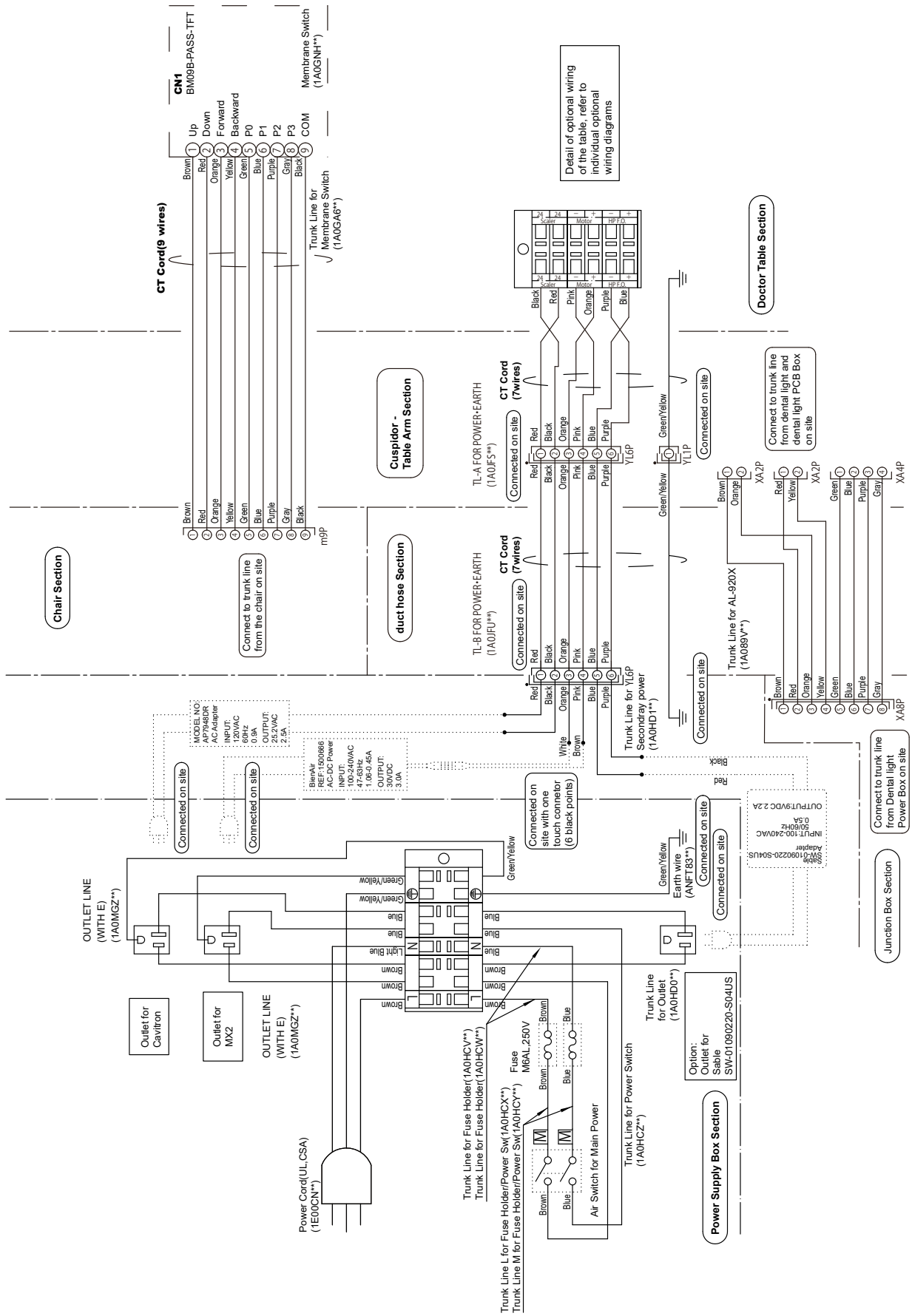
# AU-HV3808 PMU MOUNTED DELIVERY SYSTEM WITH Q5000 / Q5500 / Q3300



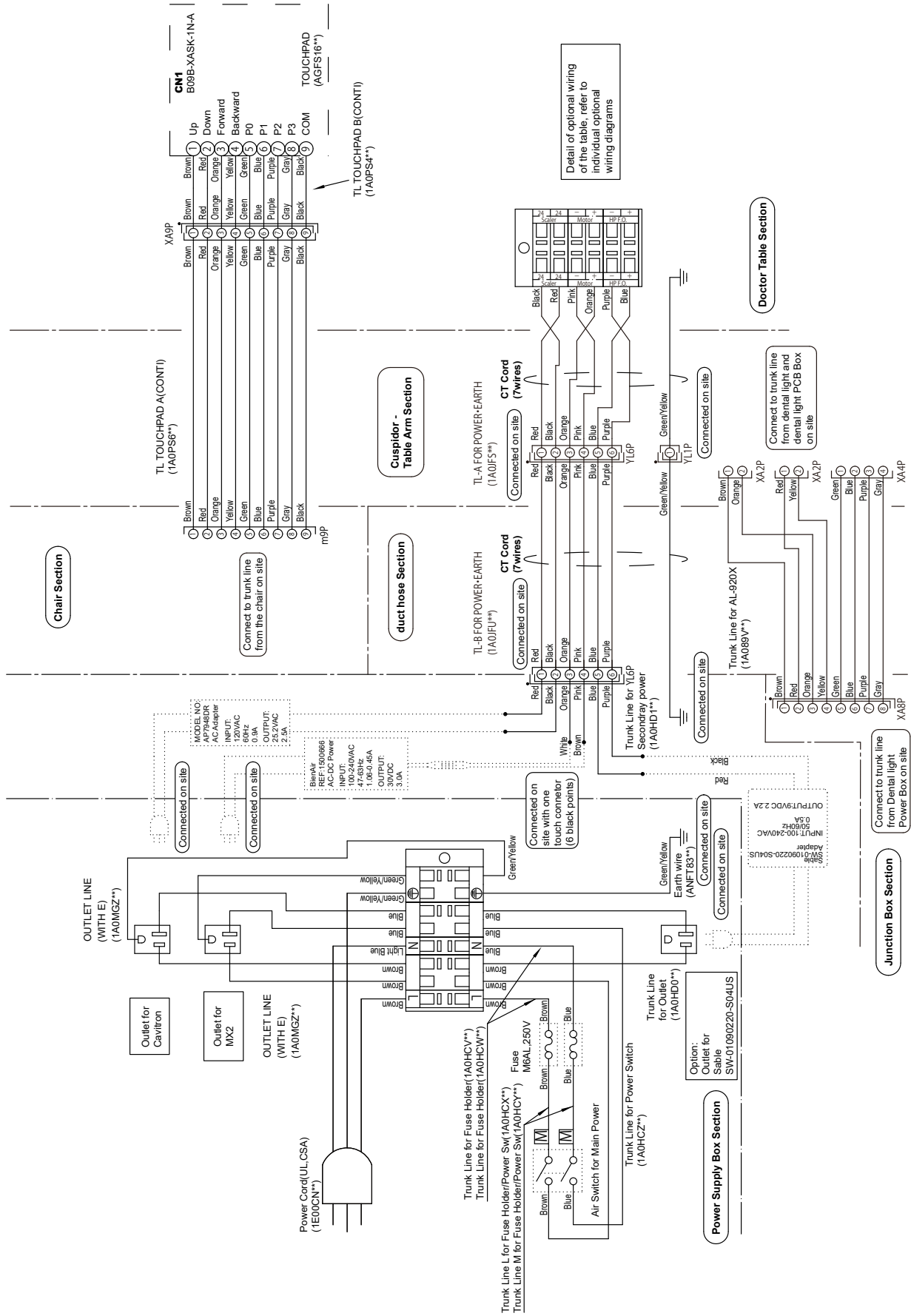
# AU-HV3808 PMU MOUNTED DELIVERY SYSTEM WITH CONTINENTAL TYPE Q5000 / Q5500 / Q3300



# AU-HV3808 PMU MOUNTED DELIVERY SYSTEM WITH X-CALIBUR V

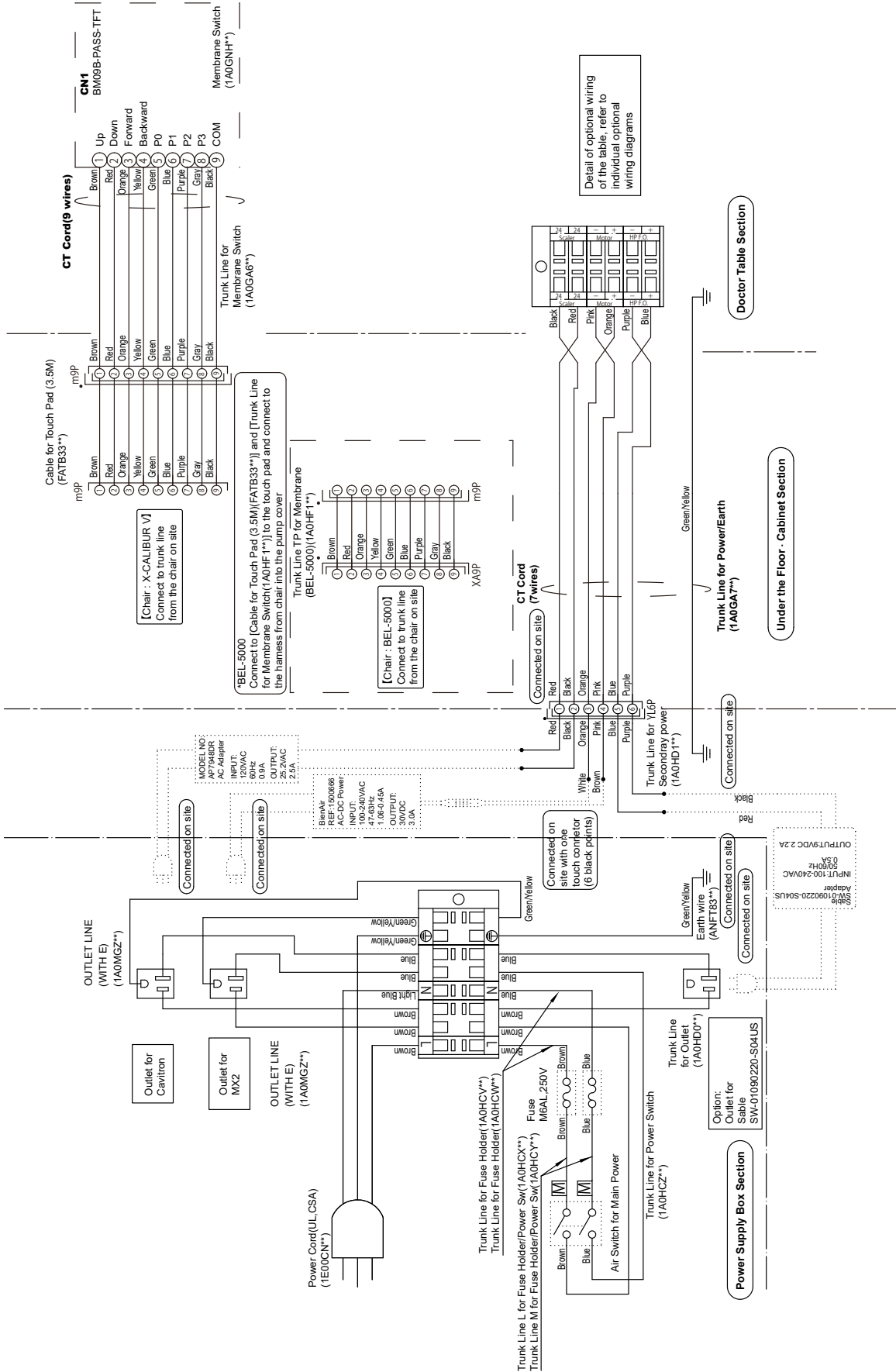


# AU-HV3808 PMU MOUNTED DELIVERY SYSTEM WITH CONTINENTAL TYPE X-CALIBUR V



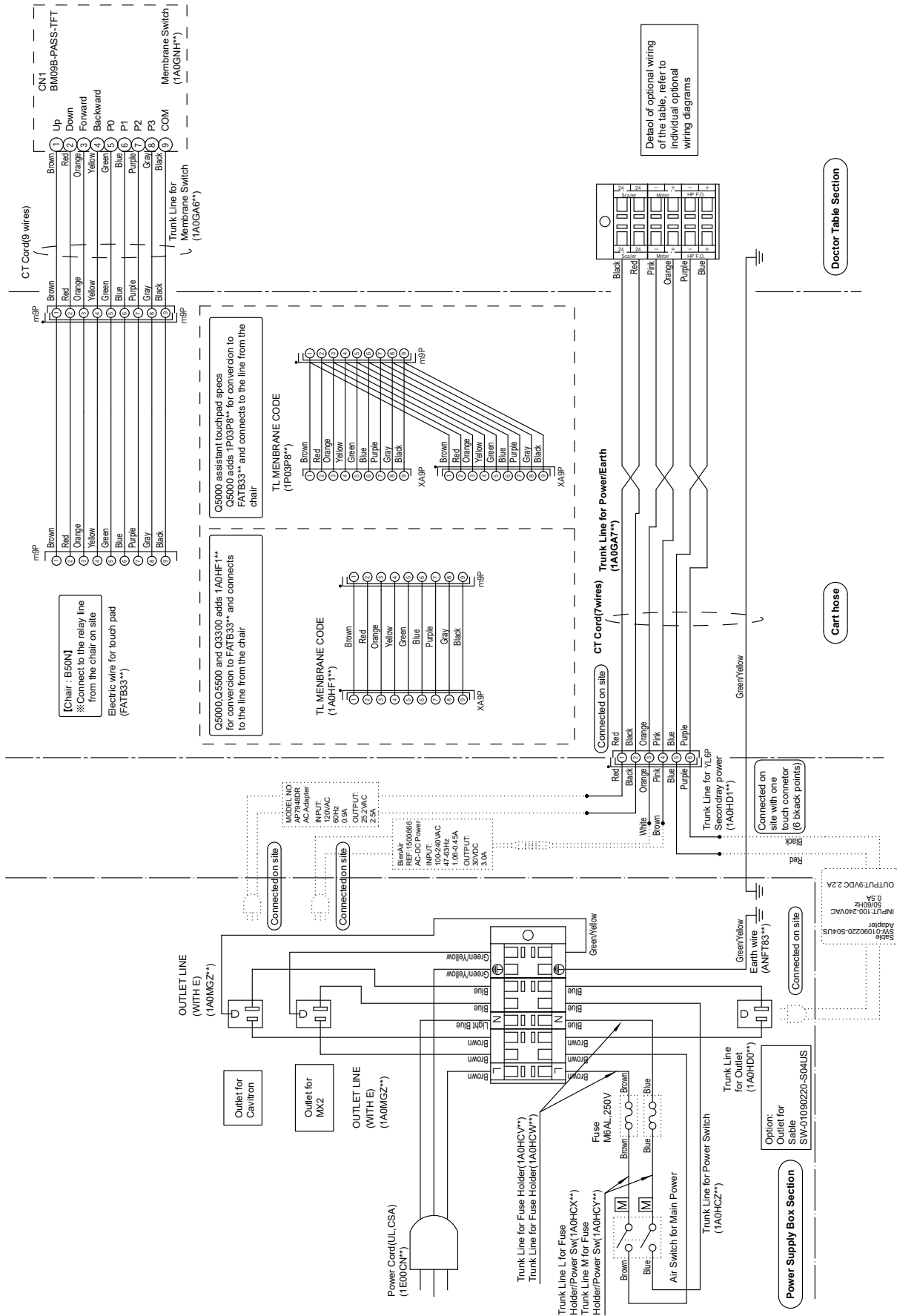


AU-HV3808 SIDE DELIVERY SYSTEM WITH X-CALIBUR V / Q5000 / Q5500 / Q3300

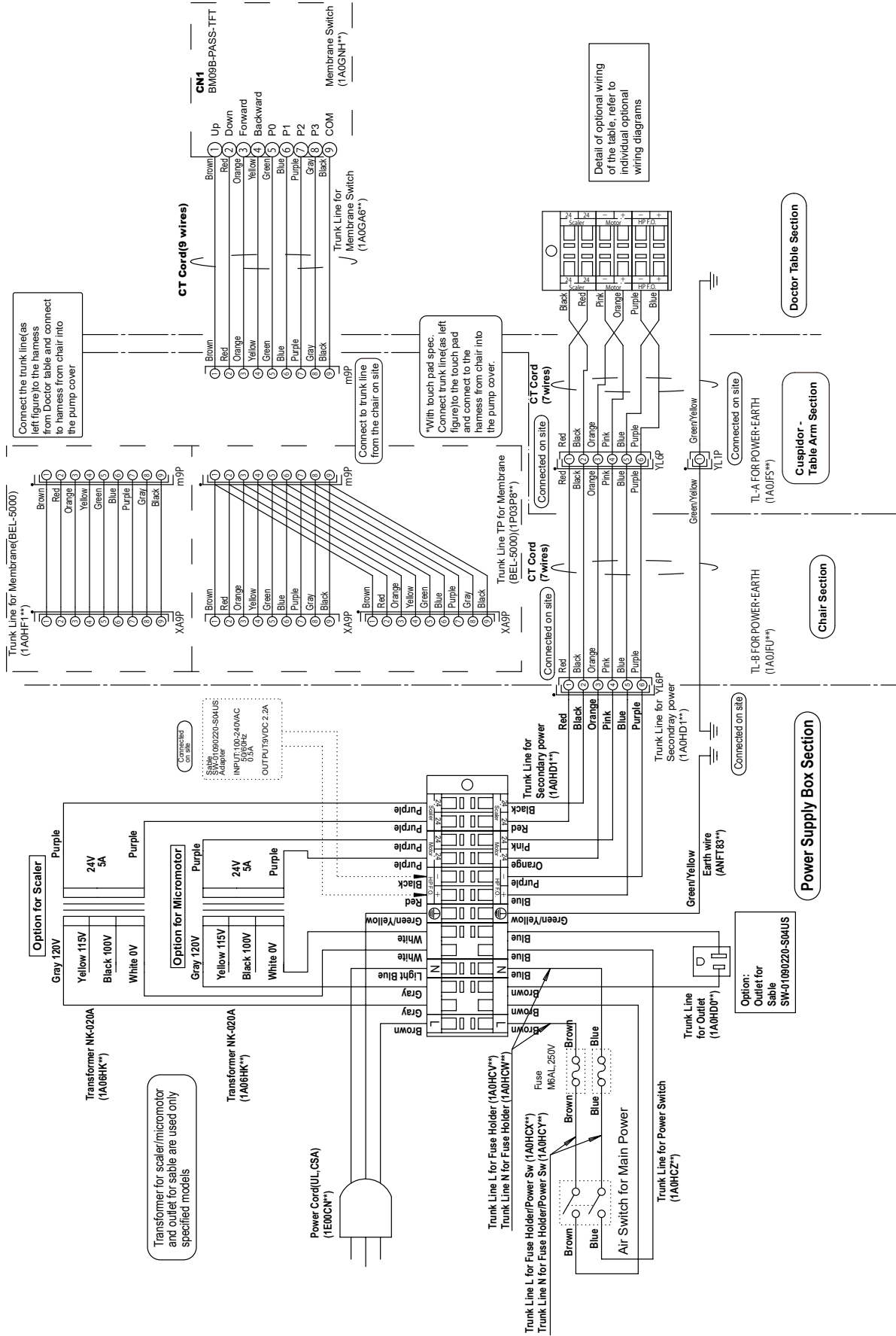




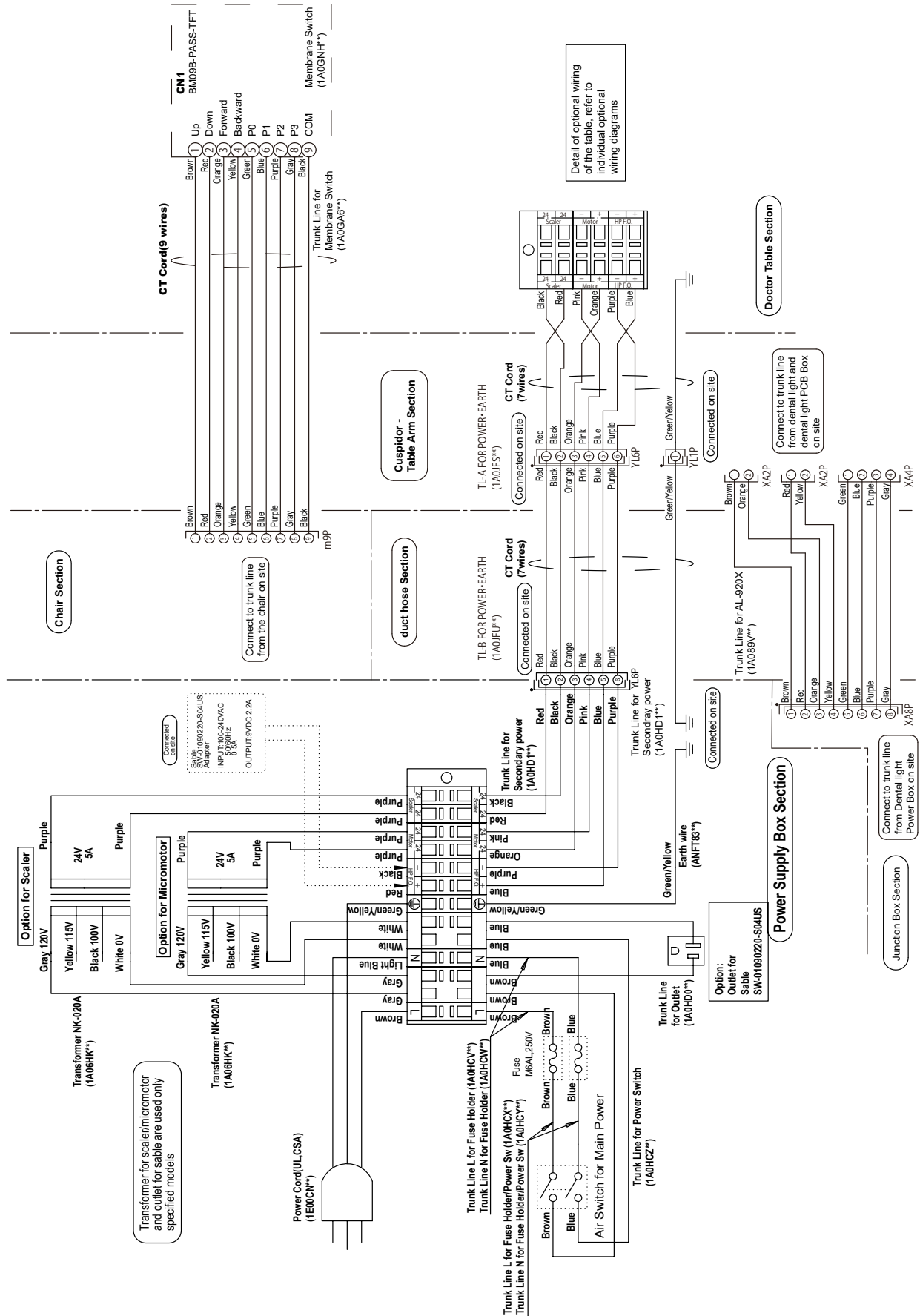
# AU-HV3808 CART DELIVERY SYSTEM WITH X-CALIBUR V / Q5000 / Q5500 / Q3300



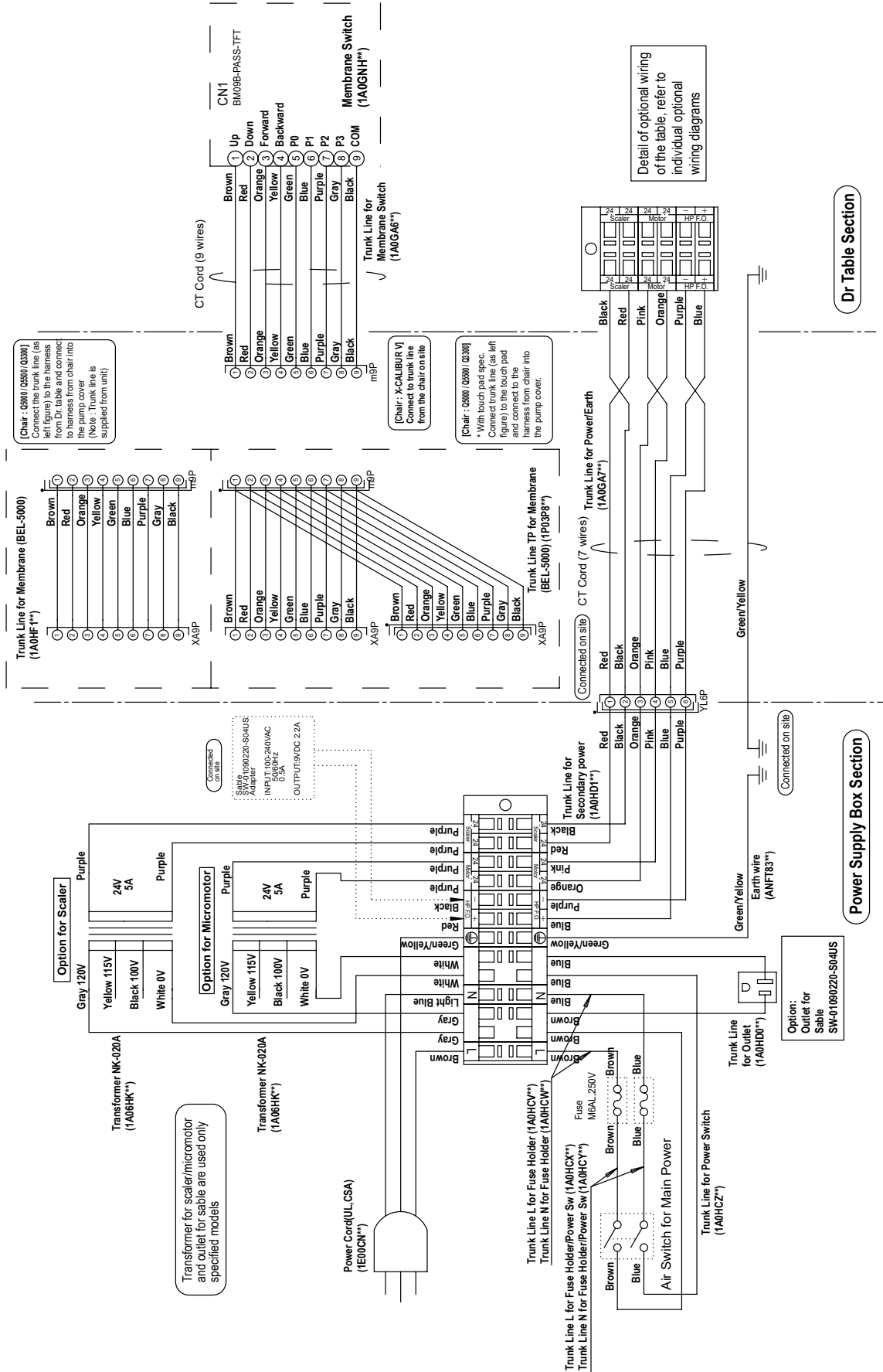
AU-HV3801~3807 PMU MOUNTED DELIVERY SYSTEM WITH Q5000



AU-HV3801~3807 PMU MOUNTED DELIVERY SYSTEM WITH X-CALIBUR V



# AU-HV3801~3807 MICROMOTOR





## REVISION RECORD

DATE		CONTENT
3-Jun-21	1E05G3HE	Publish
1-Feb-23	1E05G3JE	Add AU-HV3401W, 3950Q, Handpiece, Monitor bracket, Wiring diagram, and regularly update
26-Jun-23	1E05G3KE	Add CART spec. and regularly update
25-Sep-24	1E05G3LE	Add Accessory





Importer in U.S.A.

**BELMONT EQUIPMENT,  
Division of Takara Belmont USA, Inc.**

101 Belmont Drive, Somerset, New Jersey 08873 U.S.A.

TEL.: (732) 469-5000 / (800) 223-1192

FAX.: (732) 356-1035

Importer in Canada

**TAKARA COMPANY, CANADA, LTD.**

2455 Meadowvale Blvd. Mississauga, Ontario L5N 5S2, Canada

TEL : (905) 816-8965

[www.belmont.ca](http://www.belmont.ca)

**BELMONT MANUFACTURING CO., LTD.  
(Manufacturer)**



Lot I-2, Long Duc Industrial Park, Long Duc Ward,

Long Thanh District, Dong Nai Province, Vietnam

TEL.: +84-2513-201-100 / FAX.: +84-2513-201-096