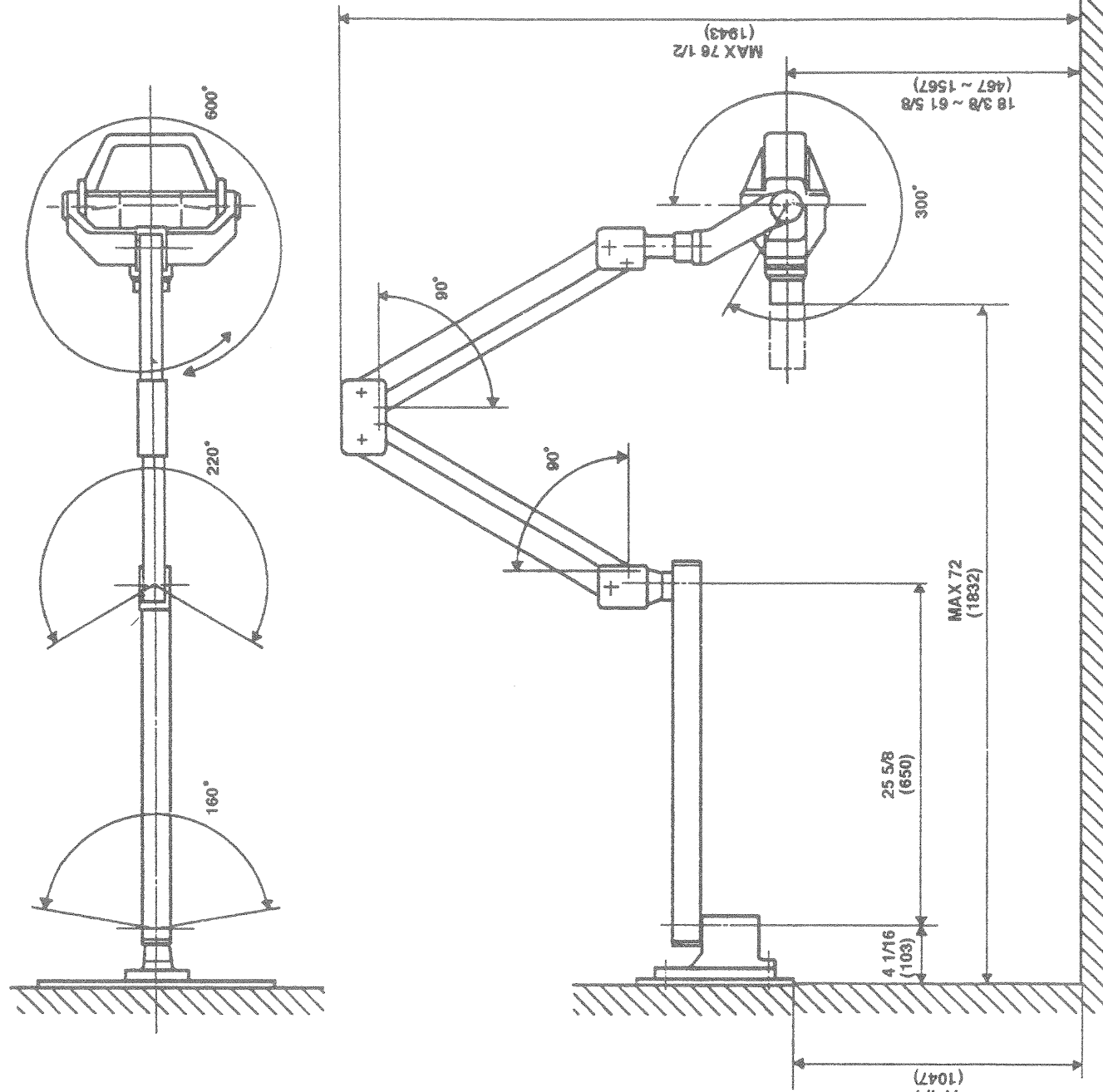
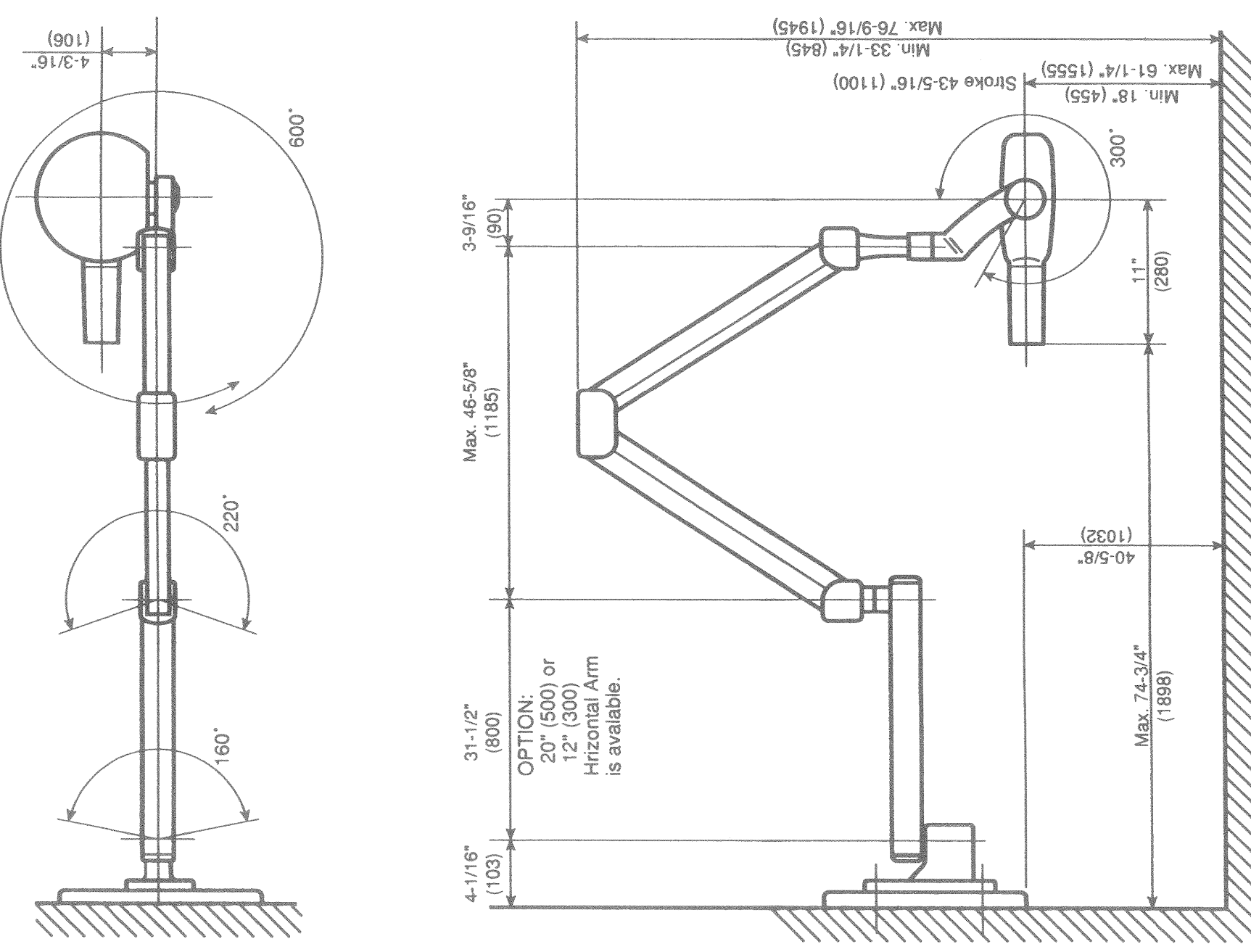


PHYSICAL DIMENSIONS
Model: 071A () = mm



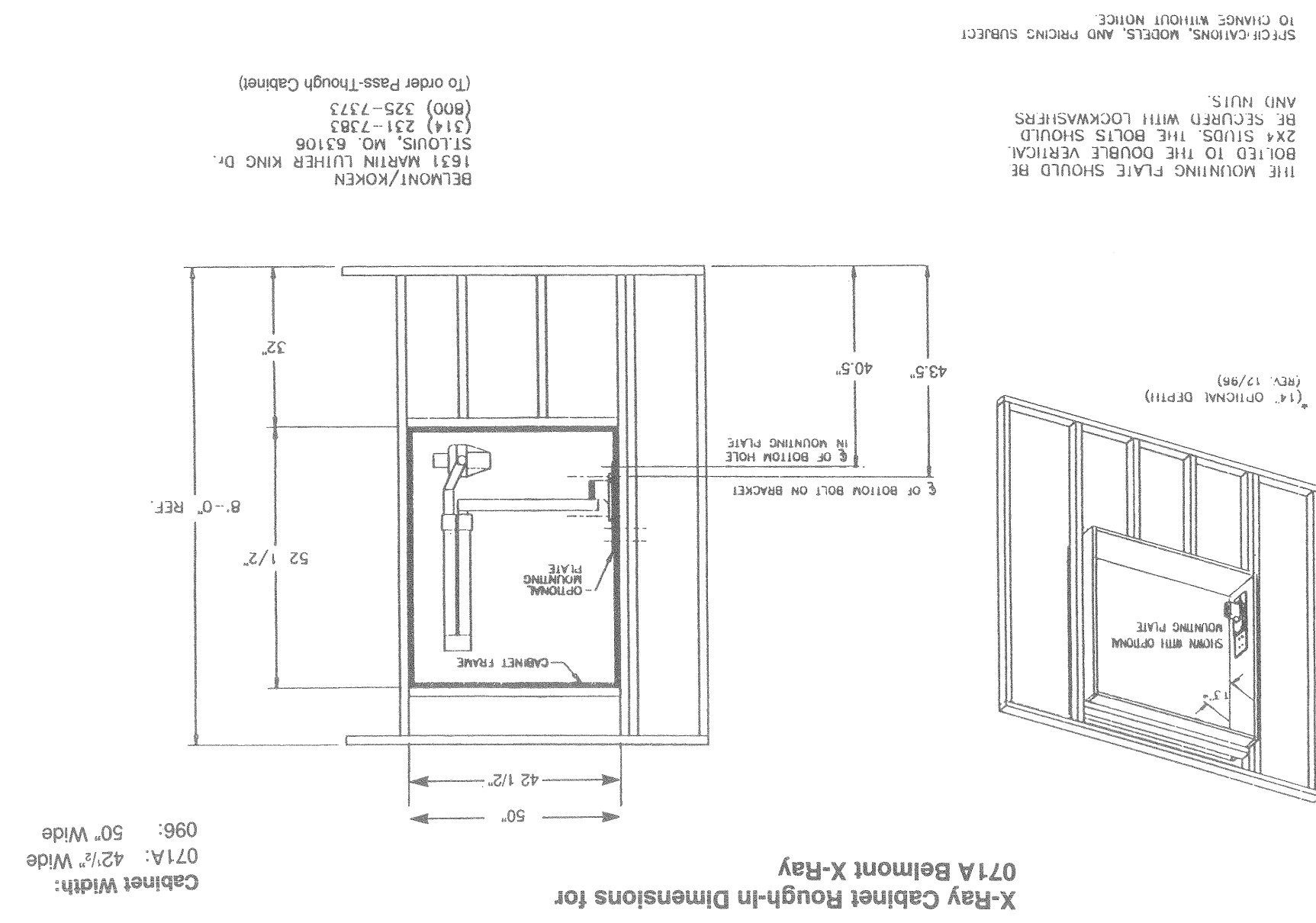
Note: Wall mount plate height of 41 1/4" is for standard wall installation.

PHYSICAL DIMENSIONS
Model: 096 () = mm



Standard Wall Mount Installation

Standard Wall Mount Installation



Standard Wall Mount Installation