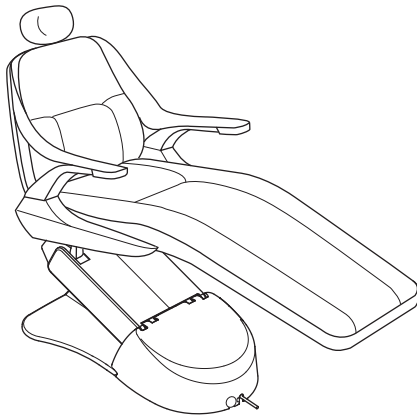


X-CALIBUR Series

BEL-20+ CHAIR

(Plus)



Operating Instructions

IMPORTANT

This manual provides operating instructions for the BEL-20+ Chair.

The instructions contained in this booklet should be thoroughly read and understood before operating the chair.

After the installation has been completed, keep this manual in a safe place and refer to it for future maintenance.

 **Belmont**[®]

1E0078A0

Table of Contents

1. Overview and major components -----	1
2. Dimentions and Specifications -----	2
3. Operation -----	2
4. Care and Maintenance -----	6


Intended Use of the Product

This product is intended for the exclusive use for diagnoses, treatments and relative procedures of dentistry, and must be operated or handled by the qualified dentists or by dental staffs under the supervision of the dentist. Such dentists or dental staffs should instruct and/or assist the patients to approach to and leave from the product. Patients should not be allowed to operate or handle the product unless he/she is so instructed.

Environmental Requirements

Operating	Ambient Temperature	41°F ~ 104°F (5°C ~ 40°C)
	Humidity	30% ~ 75%
	Atmospherical Pressure	8.7psi ~ 15.4psi (600hpa ~ 1060hpa)
Storage	Ambient Temperature	14°F ~ 122°F (-10°C ~ 50°C)
	Humidity	10% ~ 80%
	Atmospherical Pressure	8.7psi ~ 15.4psi (600hpa ~ 1060hpa)

Classification

- Protection against electric shock : Class I Equipment, Type B Applied Parts  (Headrest, Backrese and Seat cushions)
- Protection against water ingress : Chair (IPX0), Foot control (IPX1)
- Equipment not suitable for use in the presence of a flammable anesthetic mixture with air or with oxygen or nitrous oxide.
- Mode of operation : Non-continouous operation. ON time :3min. OFF time : 15 min.

CAUTION

- This chair is intended to be used for dental examination and treatment. Do not use this for any other purpose than examination or treatment.
- Only a trained and qualified personnel should operate this chair.
- Follow all the safety precautions and instructions to protect patients and operators.
- During treatment keep small children, except for a patient, away from the treatment area.
- Always keep an eye on the patient so he/she shall not touch the equipment.
- Keep patient's and operator's hands, fingers or parts of the body away from moving parts of the equipment.
- In the case of defect, put a proper label on it. Call a technician of our authorized dealer.
- This product may be affected by sources that generate excessive electromagnetic waves.
- Do not install this equipment close to such devices such as elevators or communication equipment, including cellular telephones.
- Electrosurgical knives may cause the chair to temporarily malfunction. If an electrosurgical knife is to be used, turn off the main switch of the chair after the patient has been positioned.
- Take extreme care with patients that have a pacemaker. Prior to operation of the chair, ask patient to verify whether they have a pacemaker. When operating chair, be certain patient displays no indication of discomfort. Cease chair operation immediately and turn off main power switch if patient shows any sign of being affected by chair operation.
- Do not position this equipment so that it is difficult to access the main power supply outlet that the power plug of this chair is connected to.

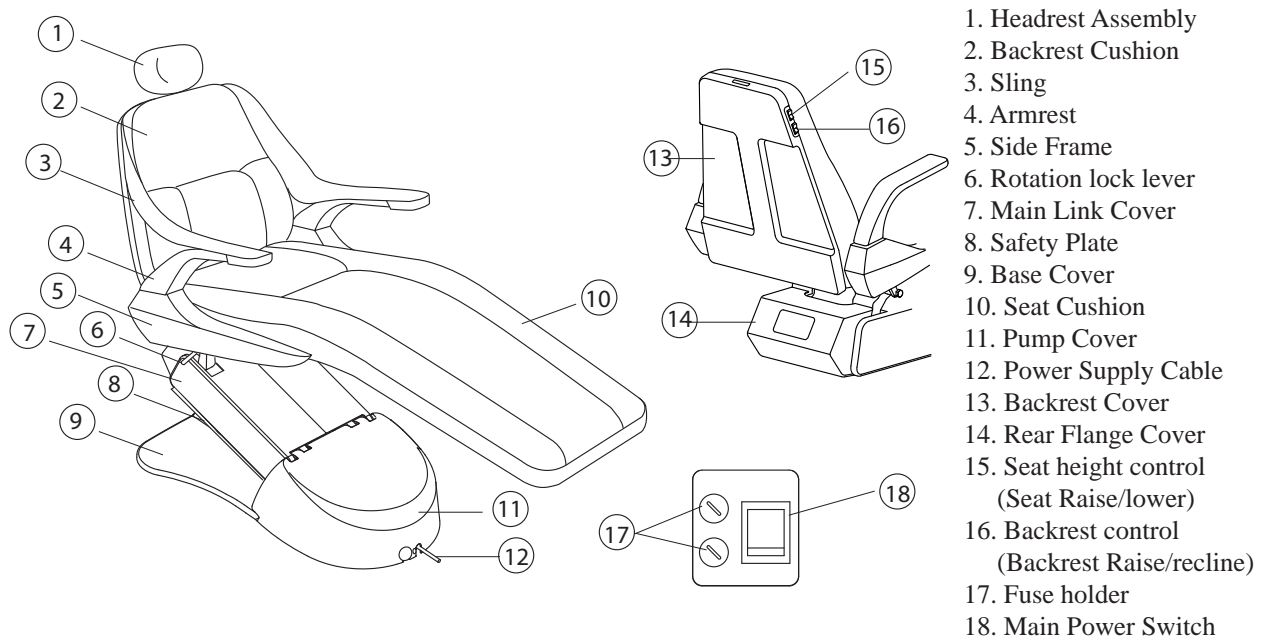
⚠ CAUTION

The followings are prohibited.

- To modify this equipment.
- To use the equipment under any failure condition.
- To use the equipment without doing the daily and periodical check-up.
- To wipe the plastic covers with any disinfectant or detergent that contains organic solvent.
- To let a person on the chair who weighs over 300 lbs.
- To let two or more person on the chair.

1. OVERVIEW , MAJOR COMPONENTS AND SYMBOLS

1-1. Overview and major components



1-2. Symbols



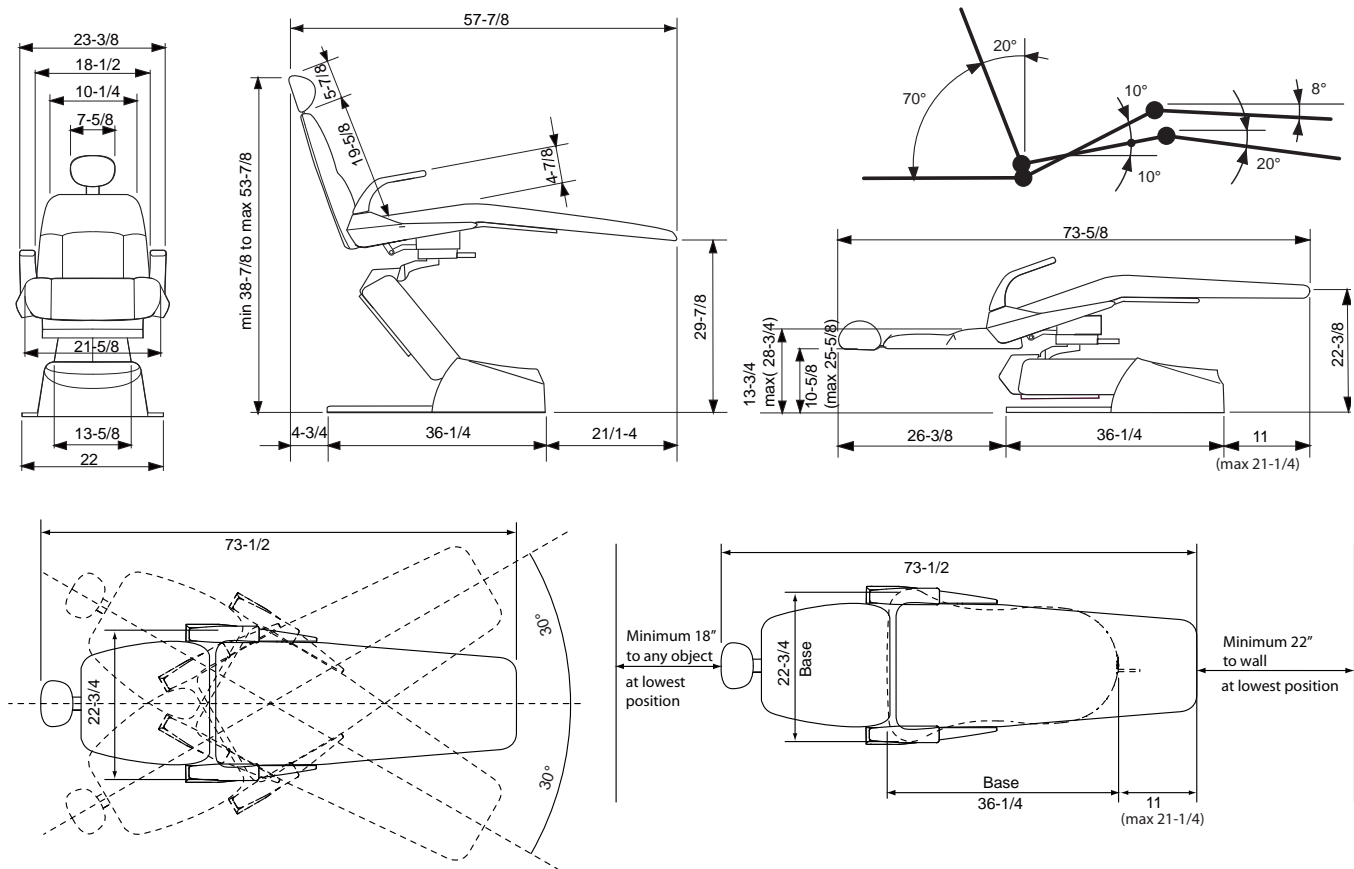
Applied part complying with the specified requirements of IEC60601-1:2005 to provide protection against electrical shock, particularly regarding allowable patient leakage current and patient auxiliary current.



Caution, warning or note

2. DIMENSIONS AND SPECIFICATIONS

2-1 Dimensions (Inches)



2-2 Specifications

Seat Initial Height	-----	13-3/4" (350 mm)
Head rest bar Initial height	-----	10-5/8" (270 mm)
Seat Lifting Stroke	-----	15" (380mm)
Backrest Movement	-----	0 to 70° (above horizontal)
Tilting Mechanism	-----	Backrest Synchronized Tilting (10 to 20°)
Seat Rotation	-----	30° Left / 30° Right of the center line
Auto Movements	-----	1 pre-set and auto return
Electrical Requirement	-----	AC120V/60Hz, 3.7A
Fuse for power supply	-----	10A/125V (Current rating : 750A at 250VAC) Fast-blow
Fuse for relays	-----	0.5A/125V (Current rating : 35A at 250VAC) Fast-blow
Mode of Control	-----	Foot switch and backrest control
Maximum Patient Load	-----	300 lbs (135 kg)
Weight	-----	333 lbs (150 kg)

3. OPERATIONS

3-1 Main Power Switch

- 1) Plug chair into 120V AC outlet

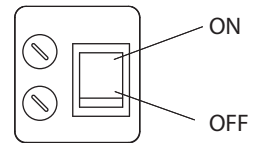
⚠ CAUTION

To avoid the risk of electric shock, this equipment must only be connected to a supply mains with protective earth. Grounding reliability can only be achieved when the equipment is connected to an equivalent receptacle marked HOSPITAL ONLY or HOSPITAL GRADE.

- 2) Turn on the main power switch located on the left side of the pump cover. A green lamp will illuminate.

⚠ CAUTION

Operate the Main Power Switch by hand only. Turn off the main switch after daily operation. Do not touch any switch with a wet hand, as it might cause electric shock.



⚠ NOTE

Do not touch a switch on the foot control when Main Switch is turned on.

Fig.3-1 Main Switch

3-2 Controls

⚠ CAUTION

Before use

- Check connection of switches and make sure that the device functions properly.
- Make sure that grounding wire is connected.
- Make sure that cables are properly and perfectly connected.
- Be careful when you use the equipment combined with another, as it may lead to inadequate decision or danger.

Patient Entry

- Do not operate the chair until patient is fully seated. Patient head, back and feet must be in full contact with seat cushions. Patient hands must be placed on top of forward facing armrests or on their lap. All patients are at risk of potential injury if these precautions are not followed.
- Do not allow patient to sit on the headrest, armrest, backrest or the end of seat. Do not give too much load on the chair cushions. Failure to do so might lead to malfunction or an accident, such as fall from the chair or break of the device.

During use

- Do not use the chair longer than required for examination or treatment.
- Always watch the patient and the equipment to make sure nothing is wrong.
- If anything wrong is observed with the equipment or the patient, take a proper action, such as stopping the use of equipment as well as keeping the patient in safe.
- Keep an eye on the patient not to touch the equipment.
- In the case separation from any electrical pole is necessary, pull off the power plug from the power supply outlet.
- Do not touch the patient and the fuse holder simultaneously.

After use

- Turn off the switch and pull off the power supply plug.
- Clean the equipment and get it ready for use.

1) Seat Height Adjustments

- a. Raise the seat by pressing foot, backrest or touchpad control (optional) indicated “Seat Raise”.
- b. Lower the seat by pressing foot, backrest or touchpad control (optional) indicated “Seat Lower”.

1) Seat Height Adjustments

- a. Raise the seat by pressing foot, backrest or touchpad control (optional) indicated “Seat Raise”.
- b. Lower the seat by pressing foot, backrest or touchpad control (optional) indicated “Seat Lower”.

2) Backrest Adjustments

- a. Raise the seat by pressing foot, backrest or touchpad control indicated “Backrest Raise”.
- b. Lower the seat by pressing foot, backrest or touchpad control indicated “Backrest Recline”.

3) Programming a Seat Position

One pre-set chair position can be stored in memory for repetitive use as follows:

- a. Set backrest angle and seat height at desired position using foot, backrest or touch pad controls (optional).
- b. Hold program button or switch labeled (P) until buzzer sounds (approximately 5 seconds), then release.

Chair position has been stored in the chair memory.

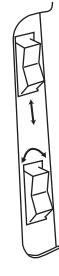
4) Auto Return

Chair can be returned to the patient entry/exit position by momentarily pressing the button or switch labeled (A) on the foot, backrest or touchpad controls (options). The motion starts when the switch is released.

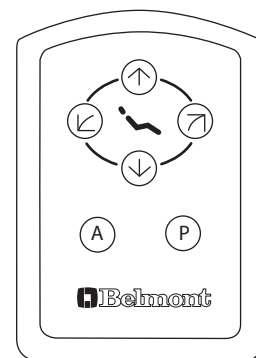
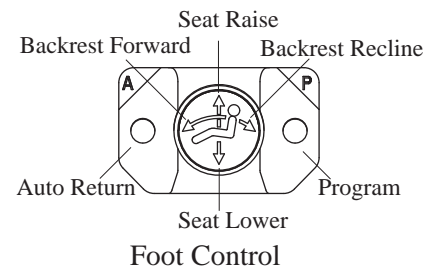
3-3 Seat Rotation, Armrest Rotation, Cancellation, Headrest adjustment

1) Armrest Rotation

Either armrest can be rotated outward by grasping lower back portion of armrest, pulling upward and turning.



Seat height and Backrest Control on backrest



Touchpad (Optional)

⚠ CAUTION

Do not lean on an armrest nor sit on an armrest. It could damage an armrest or could cause an injury.

2) Chair Rotation

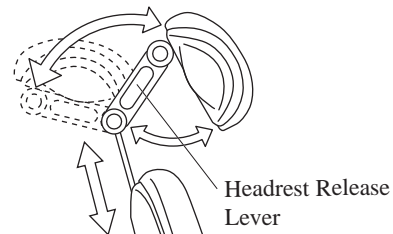
To rotate the chair, release lock lever on right side of the chair, by pushing downward. Pull lever to lock.

3) Cancellation

- a. Safety plate is provided below base link cover to stop motion of chair when object is accidentally caught underneath.
- b. Automatic motion activated either by automatic return switch or preset switch, can be cancelled at any time by depressing any control switches.

4) Headrest Adjustment

- a. Press down or pull up the headrest for height adjustment.
- b. Grab the headrest release lever on headrest mechanism.

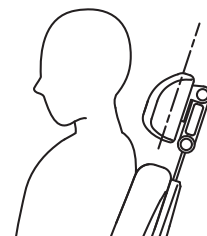


CAUTION

Take care not to pinch the fingers with the headrest mechanism.

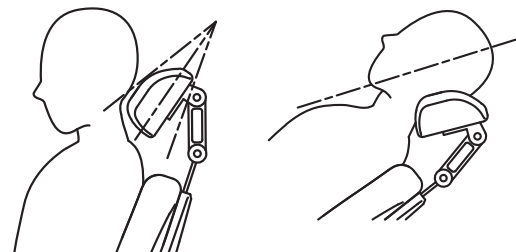
3-4 Positioning of Headrest

1. Seat patient upright and all of the way back on the chair.
2. Position the bottom of the headrest cushion so it is even with the occipital of the patient's head.



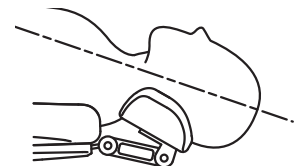
Viewing the lower arch

1. Using the latch release button (white), pivot the headrest cushion halfway toward the patient's head.
2. Have the patient lean back on the headrest.
3. Using the chair controls, place the patient in the desired operating position.



Viewing the upper arch

1. Lower the backrest and raise the base of the chair.
2. Slide the headrest in.
3. Support the patients head/headrest cushion while pressing latch release button.
4. Tilt the headrest cushion until the desired upper arch position is obtained.



4. CARE AND MAINTENANCE

4-1 Cleaning and disinfection

CAUTION

Do not spray liquids directly onto chair surfaces.
In order to prevent damage to electrical components and systems, do not apply excess cleaning solution onto chair surfaces.

Routine Care

Clean plastic and upholstery surfaces regularly using a mild soap and water solution.

When cleaning, use a dampened cloth only, as excess cleaning solution can flow into the chair and cause permanent damage to electrical components.

Barrier Technique

Use of disposable barrier products should be the first choice for the protection of dental equipment. Disinfectants leave behind a surface residue that accumulates over time and eventually damages equipment and upholstery surfaces.

Chemical Disinfection

If a chemical disinfectant is to be used on chair or upholstery surfaces, contact the manufacturer of the disinfectant prior to use.

Obtain verification from the disinfectant manufacturer that their product will not damage the chair or upholstery surfaces.

Unacceptable Disinfectants

The following chemicals may damage equipment and upholstery:

- * Alcohol based solutions
- * Bleach
- * Phenol / Alcohol combinations
- * Foam spray products
- * Benzalconium chloride solutions

Use with Caution

- * Water based phenolic disinfectants, following manufacturer's exact instructions for use.

NOTE

Warranty does not cover damage to equipment and upholstery caused by disinfectant solutions.

4-2 Storage and working lifetime

4-2-1 Storage

1. Keep the equipment away from water.
2. Keep in a circumstances safe from influence by temperature, humidity, wind, sun light, air containig salts and minerals.
3. Care about stability such as inclination, vibration and impact, including handling and transportation.
4. Do not keep the equipment in a place where chemicals are or where gas is emitted.

4-2-2 Lifetime

Provided that the recommended and authorized care and maintenance are correctly performed, the working lifetime of this equipment is 10 years from the date of initial shipment from the manufacturer.

4-3 Daily Check-up of functions by the end user

The end-user is responsible for daily check-up of the equipment. In the case end user does not do this, it is allowed that you outsource it to a technician authorized by us.

In order to assure safety use of this equipment, please carry out the following check-up in a frequency as indicated below.

No.	Item (Frequency)	How to check and diagnose	Influence of not doing check-up	Actions when any incom- pliance is found
1	Safety functions (Daily. Before opening office)	During pre-set movement or auto-return movement, press any key for chair operation and the chair should automatically stop.	Injury caused by move- ment of the chair during treatment or pinching with chair and other equipment or furniture.	Call to a technician of our authorized dealer.
2	Function of each switch (Daily. Before opening office)	Each switch for chair operation should work correctly.	Defect of movement may cause an accident.	Call to a technician of our authorized dealer.
3	Wiping off water (Daily. Before closing office)	Make sure that no water is left that were spilt during treatment.	Water will caus rust	Wipe off water with a soft and dry cloth.
4	Stain removal of external parts (Daily. Before closing office)	Visually make sure that no dust, chemical or other material is left on the chair.	Such chemicals will cause discoloration, dete- rioration and break of the plastics.	Thoroughly clean the chair following the cleaning instruction in this book, regardless the result of this check-up. For tough stains, use mild detergent solvency.
5	Main power switch (Daily. Before closing office)	Make sure that the main power switch is off	Accident or defect of the equipment	In the case the main power cannot be turned off, Call to a technician of our authorized dealer.
6	Moving parts (Weekly)	Make sure that the chair does not make any abnormal noise during automatic movement	Accident or defect of the equipment	Call to a technician of our authorized dealer.
7	Oil leakage (Weekly)	Make sure that there is no hy- draulic oil on the floor or chair base leaking from the cylinder.	Defect of the equipment	Call to a technician of our authorized dealer.
8	Power supply cable (Monthly)	Power supply cable should not be abnormally bent, pinched or damaged, and the plug should be firmly inserted to the power outlet and not covered with dust.	Accident or defect of the equipment	Clean and rearrange the cable. For replacement, call to a technician of our authorized dealer.

4-4 Guideline for Periodical Check-up

- Some parts and components of the products are degraded or deteriorated depending on the frequency of use, so yearly check-up and maintenance, as well as replacement of consumable parts, are required.
- For check-up and repair, call a technician of our authorized dealer.

Parts and components that require periodical check-up

No.	Parts Description	Standard Lifetime
1	Headrest Mechanism	2 years
2	Electric wiring of moving parts	2 years
3	Switthes for operating equipment	2 years
4	Transformer	3 years
5	Control PCBs	3 years
6	Hydraulic cylinder and related parts	5 years

Consumables

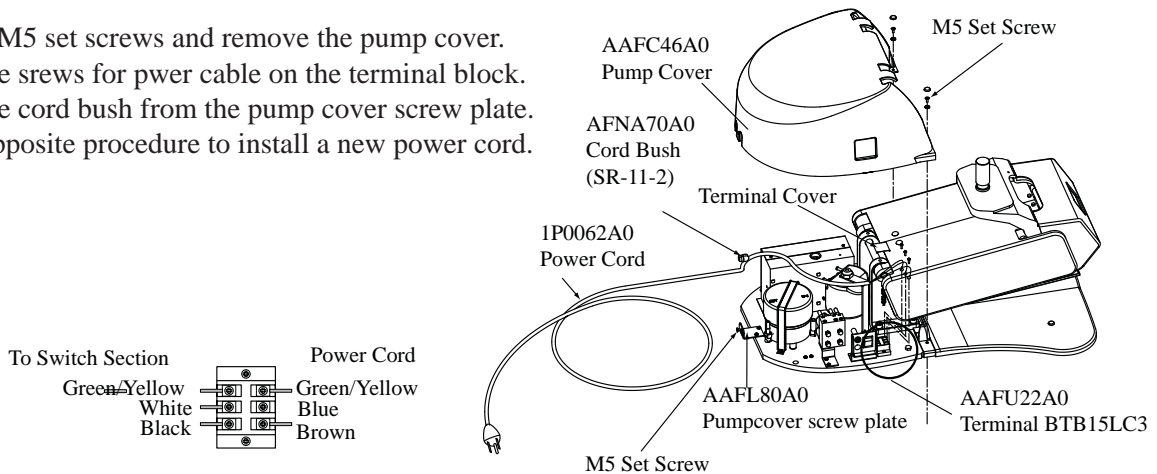
No.	Parts Description
1	Power supply cord
2	Cusions and upholsteries

4-5 Replacement of consumables

Replacement must be done by an professional technician(s) of our company or a company authorized by us.

1. Power supply cord

- 1) Remove 3 M5 set screws and remove the pump cover.
- 2) Remove the screws for pwer cable on the terminal block.
- 3) Remove the cord bush from the pump cover screw plate.
- 4) Take the opposite procedure to install a new power cord.



2. Cushions and upholsteries

See the installation manual enclosed with this manual. The procedure is described in 4-2 Installation.

4-5 Disposal

- This is not an infecious device, but prior to disposal make sure that no parts of the device is infected.
- Follow the federal, state and local regulations for disposal.

NOTE

This equipment should be installed by a professional technician(s) of our company or a company authorized by us. Follow the installation manual enclosed with this manual for details of installation.

Company or person authorized to install this equipment

Name :

Address :



BELMONT EQUIPMENT, Division of Takara Belmont USA, Inc.

101 Belmont Drive Somerset, New Jersey 08873 U.S.A. TEL.:(732) 469-5000 / (800) 223-1192 Fax.:(732)526-6322 / (800) 280-7504

TAKARA CO, CANADA LTD.

2076 S. Sheridan Way, Mississauga, Ont., L5J2M4, Can. TEL.:(905) 822-2755 Fax.:(905)822-6203

TAKARA BELMONT CORPORATION (Manufacturer)

1-1, 2-Chome, Higashi-shinsaibashi, Chu-ku, Osaka 542-0083, Japan TEL.: 81-6-6213-5945 Fax.:81-6-6212-3680