

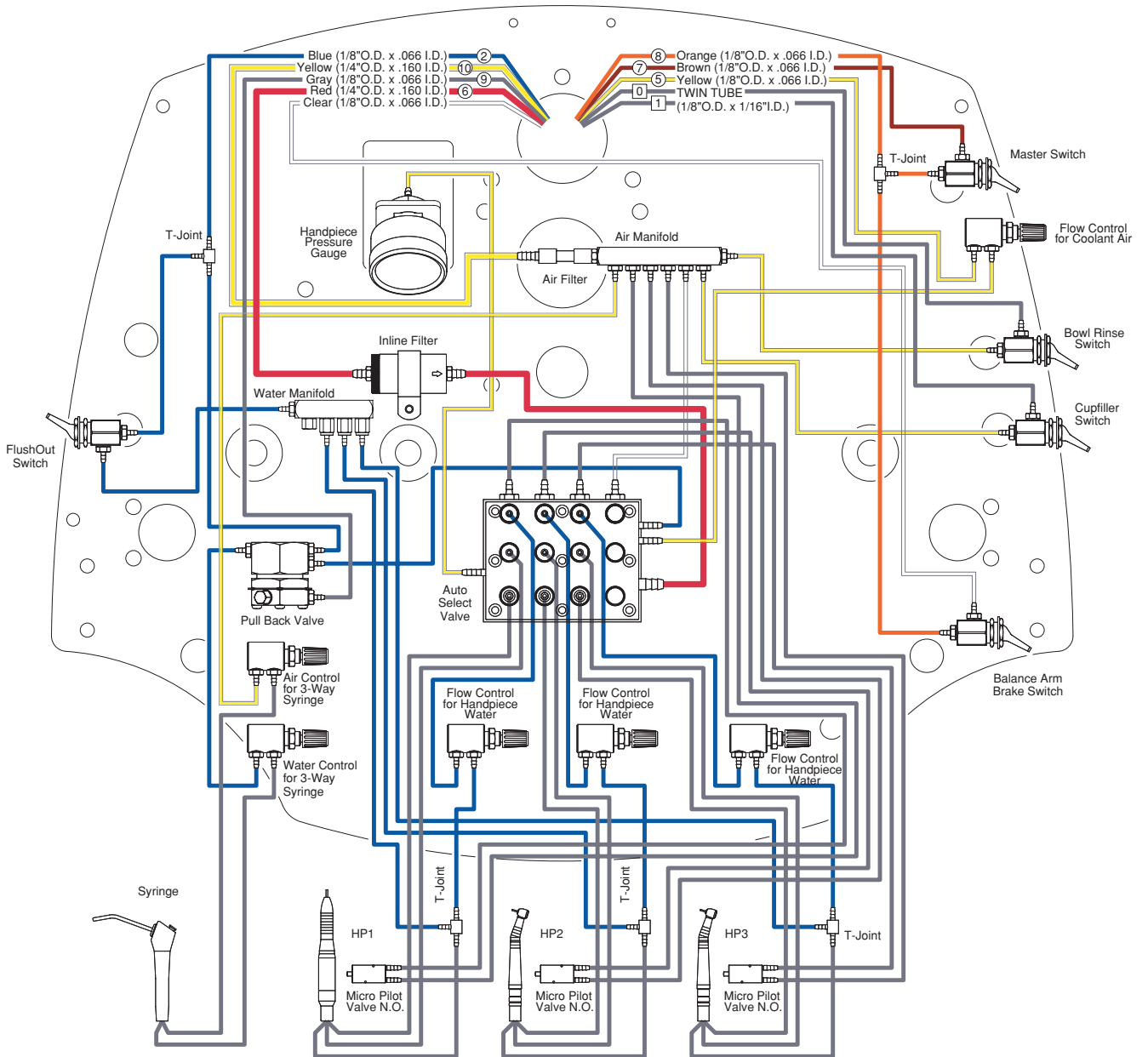


Flow Diagram

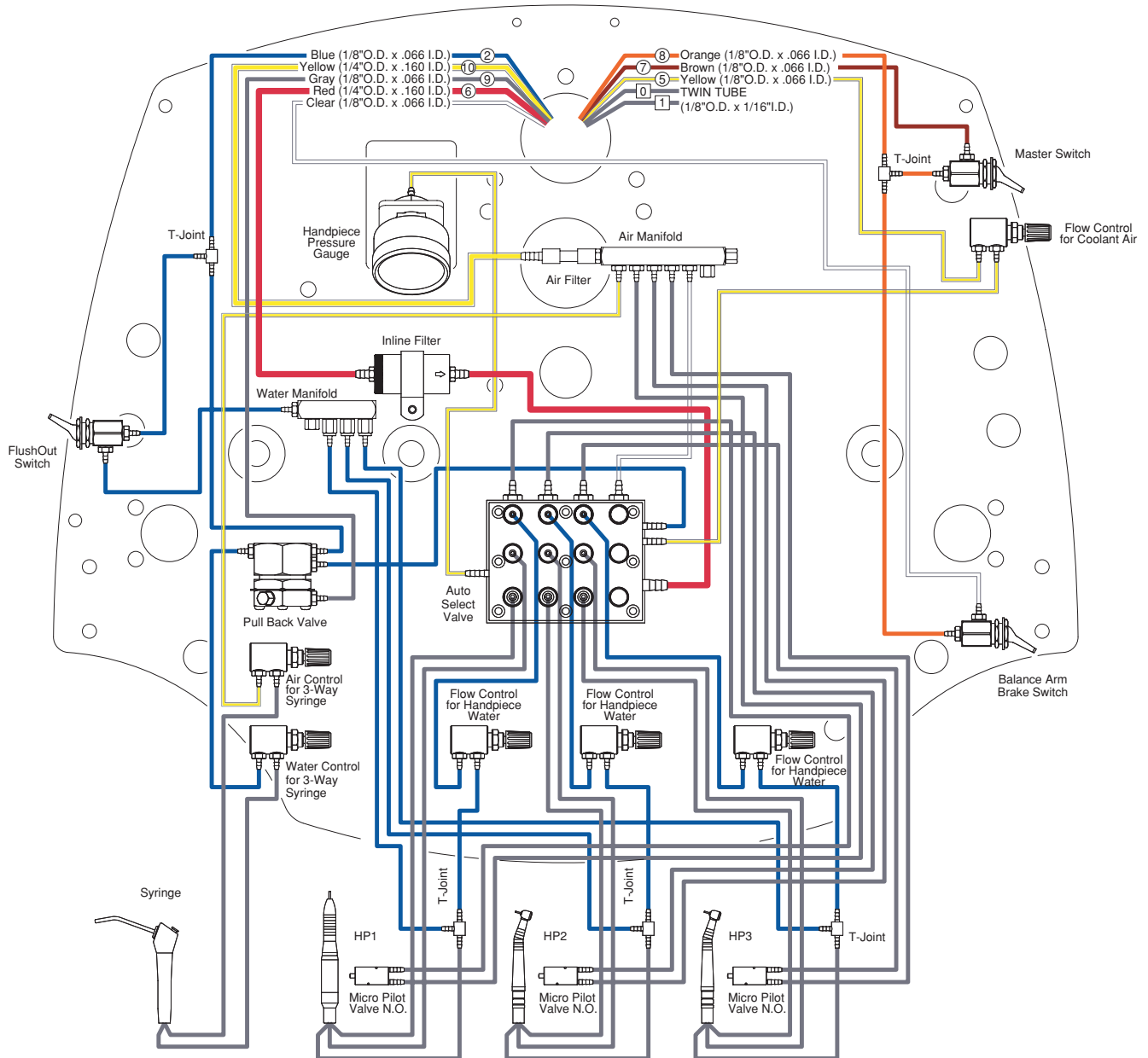


TABLE OF CONTENTS		
No.		Page
1	Flow Diagram for Doctor Table (BDS-2500/2505)	3
2	Flow Diagram for Doctor Table (BDS-2510/2515)	4
3	Flow Diagram for Doctor Table (BDS-2555)	5
4	Flow Diagram for Doctor Table (BDS-2570/2575)	6
5	Flow Diagram for Doctor Table (BDS-2580)	7
6	Flow Diagram for PMU (BDS-2500)	8
7	Flow Diagram for PMU (BDS-2505)	9
8	Flow Diagram for PMU (BDS-2510)	10
9	Flow Diagram for PMU (BDS-2515)	11
10	Flow Diagram for PMU (BDS-2520)	12
11	Flow Diagram for PMU (BDS-2525)	13
12	Flow Diagram for PMU (BDS-2580)	14
13	Flow Diagram for Swing Pole (BDS-2570/2575)	15
14	Flow Diagram for Water System (BDS-2555)	16

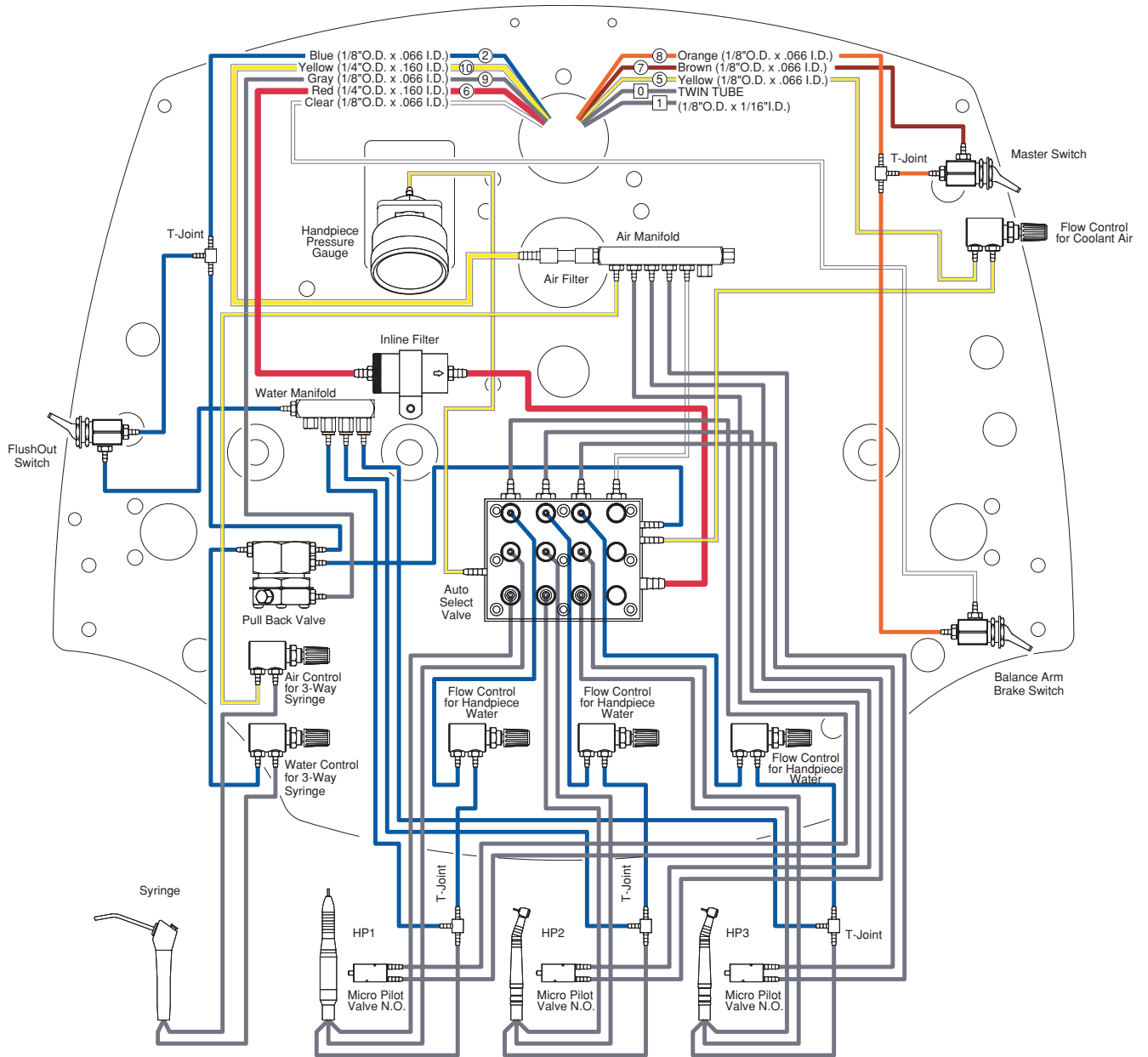
1. Flow Diagram for Doctor Table (BDS-2500/2505)



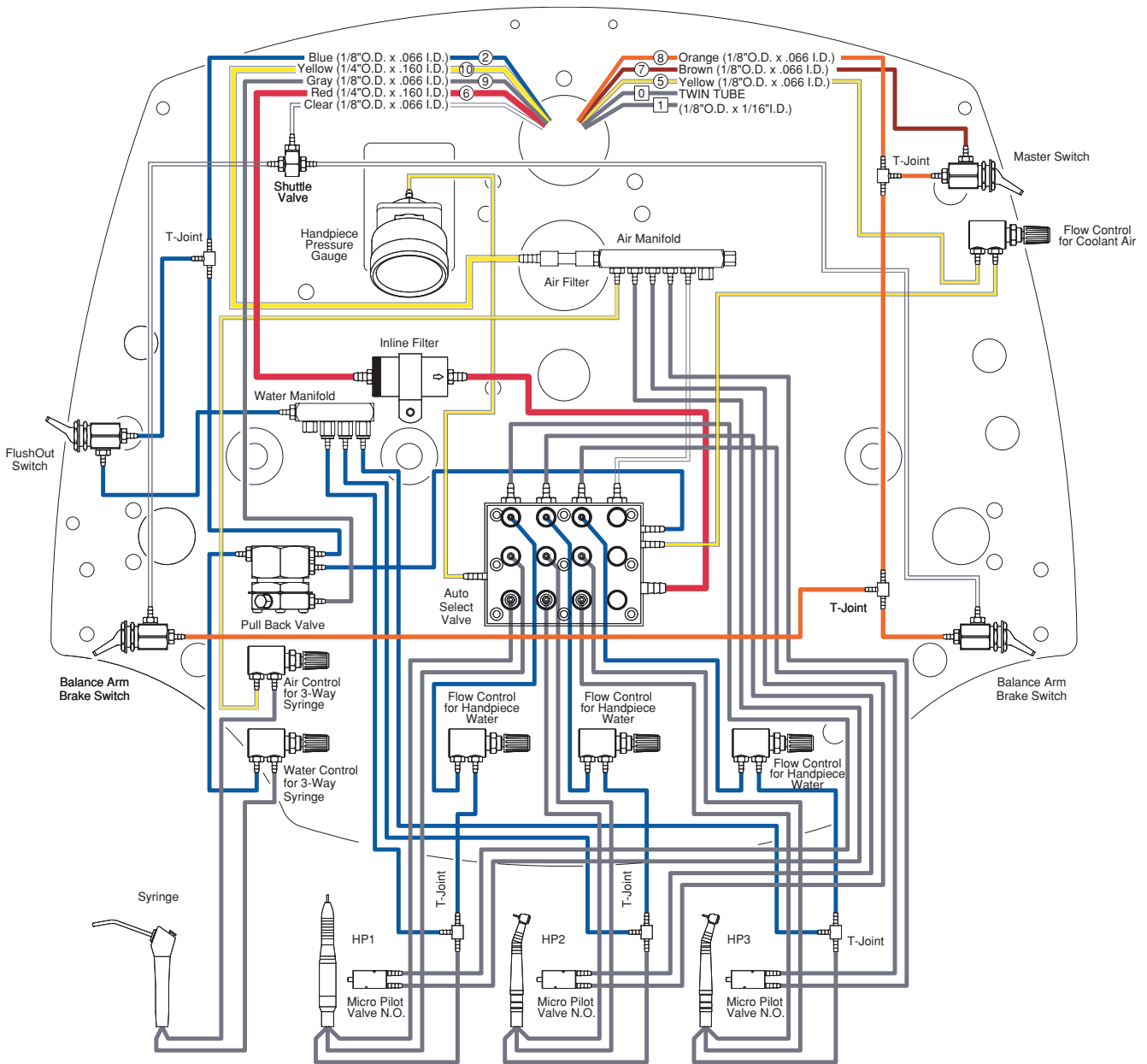
2. Flow Diagram for Doctor Table (BDS-2510/2515)



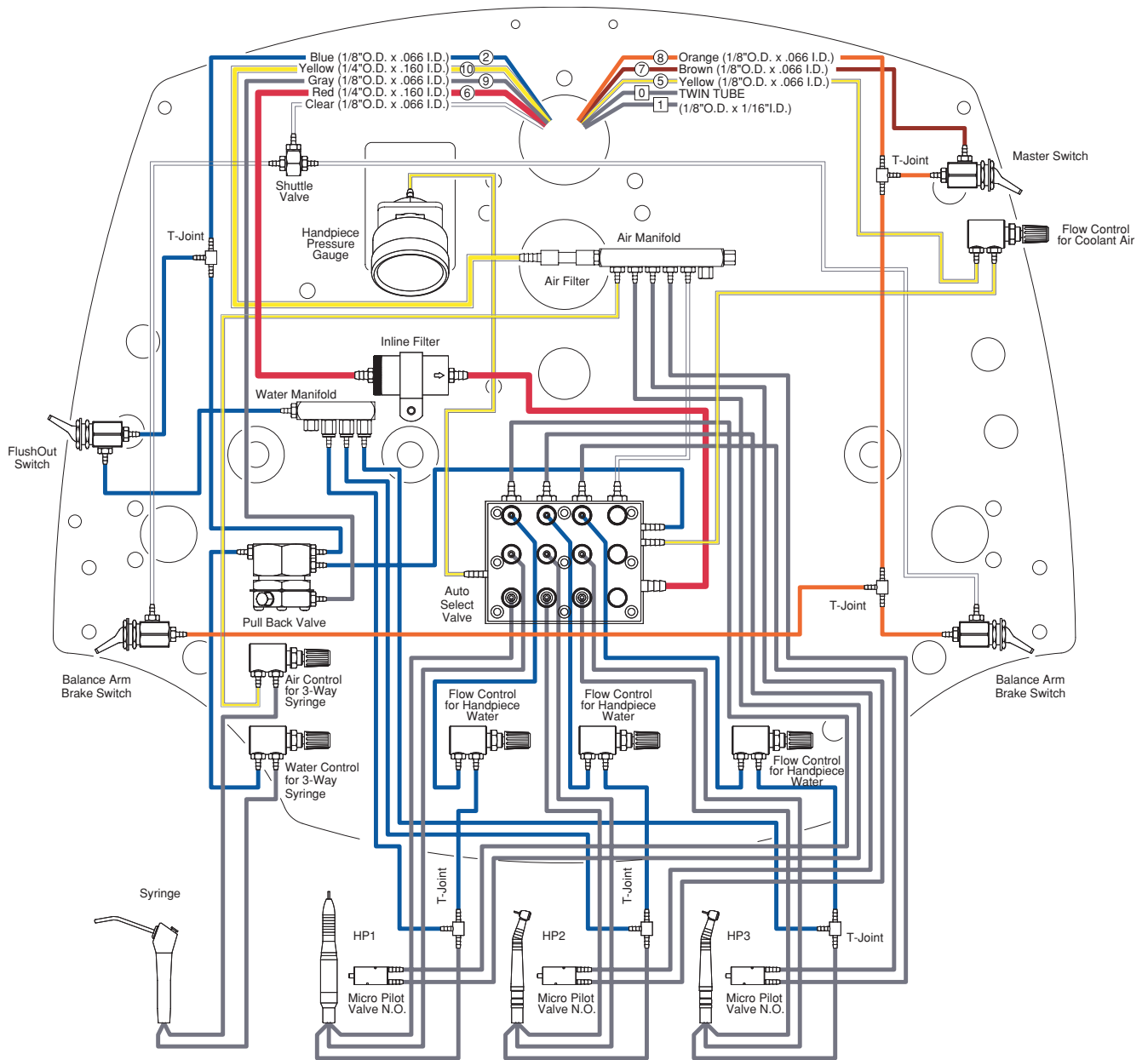
3. Flow Diagram for Doctor Table (BDS-2555)



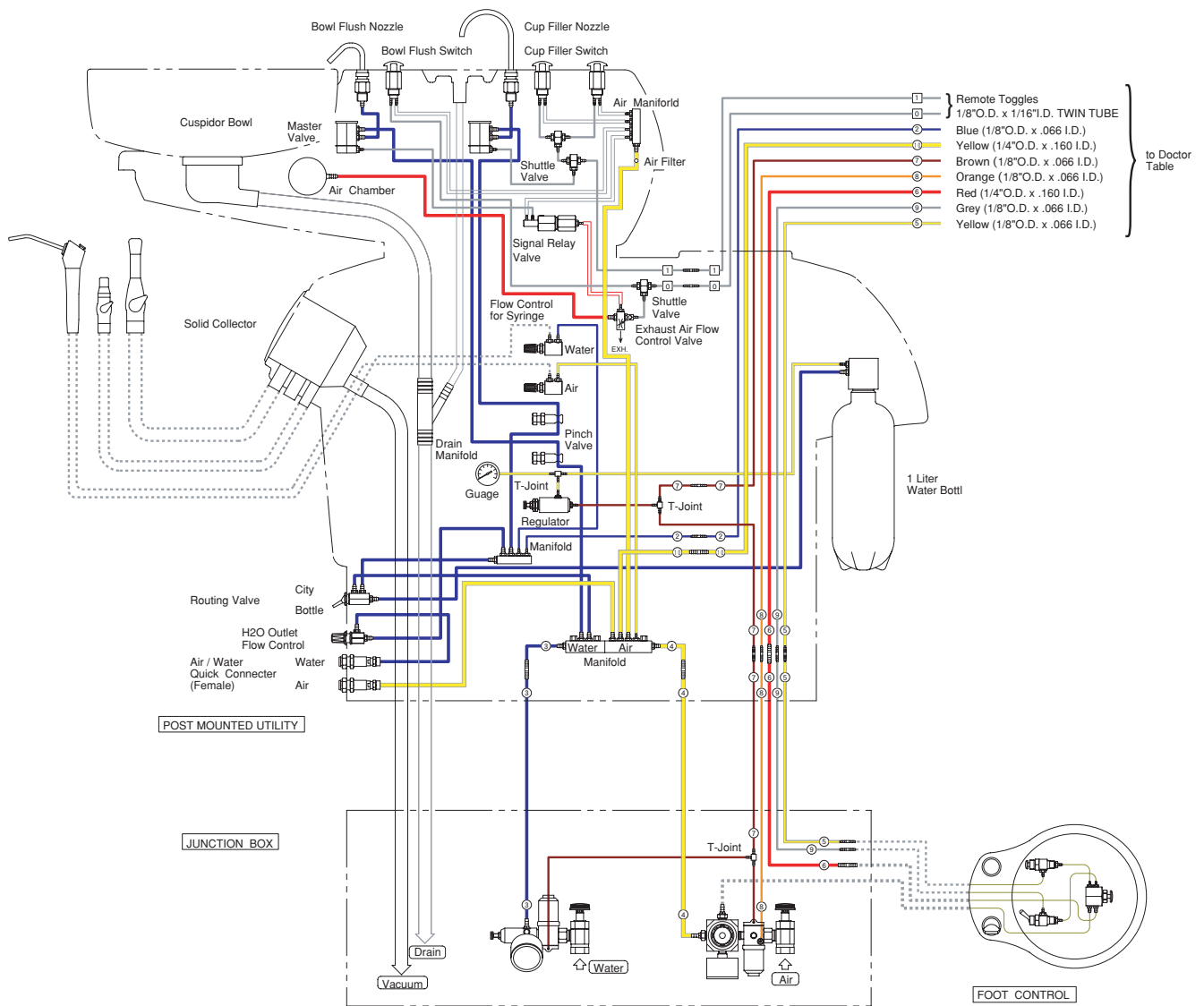
4. Flow Diagram for Doctor Table (BDS-2570/2575)



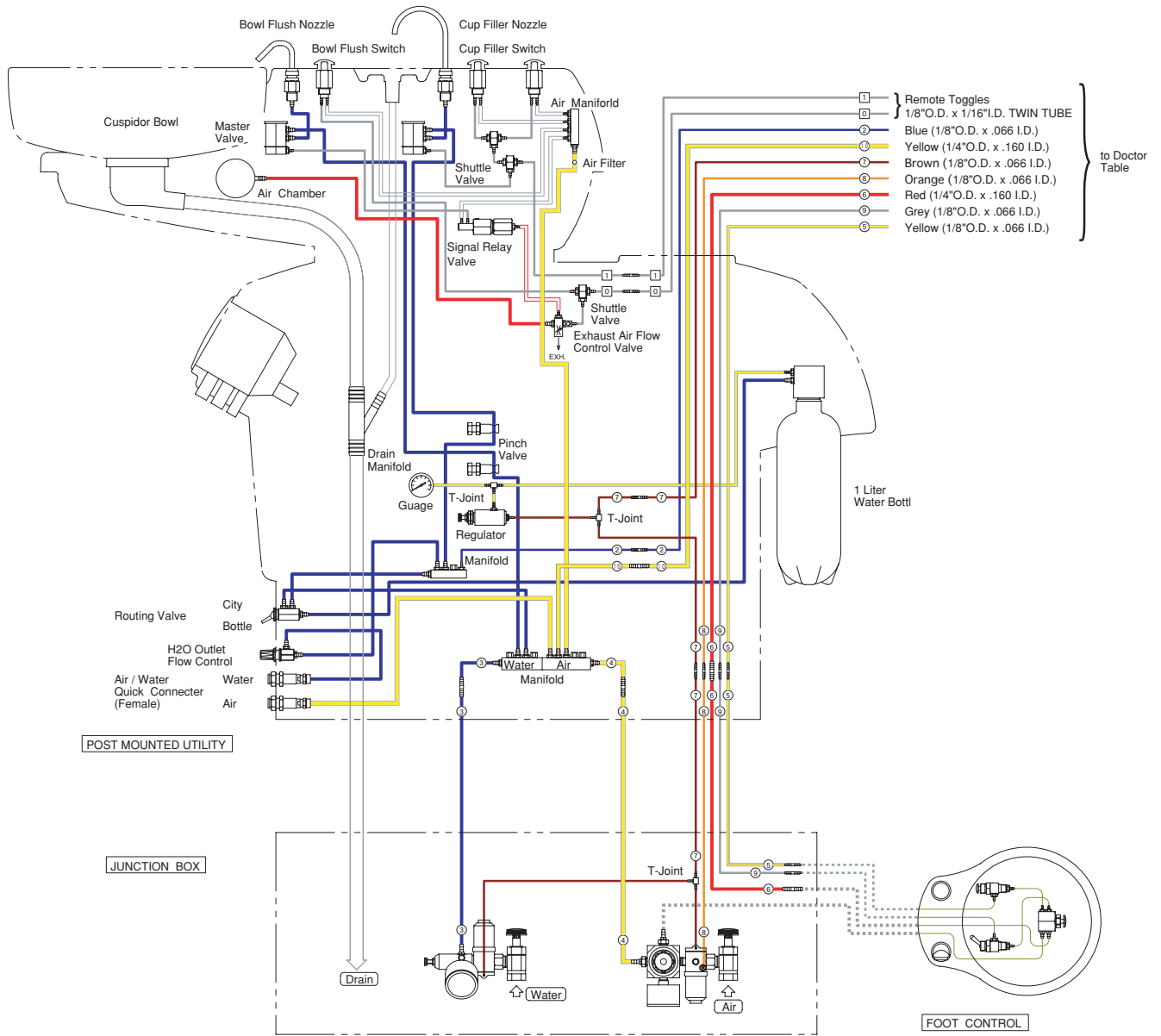
5. Flow Diagram for Doctor Table (BDS-2580)



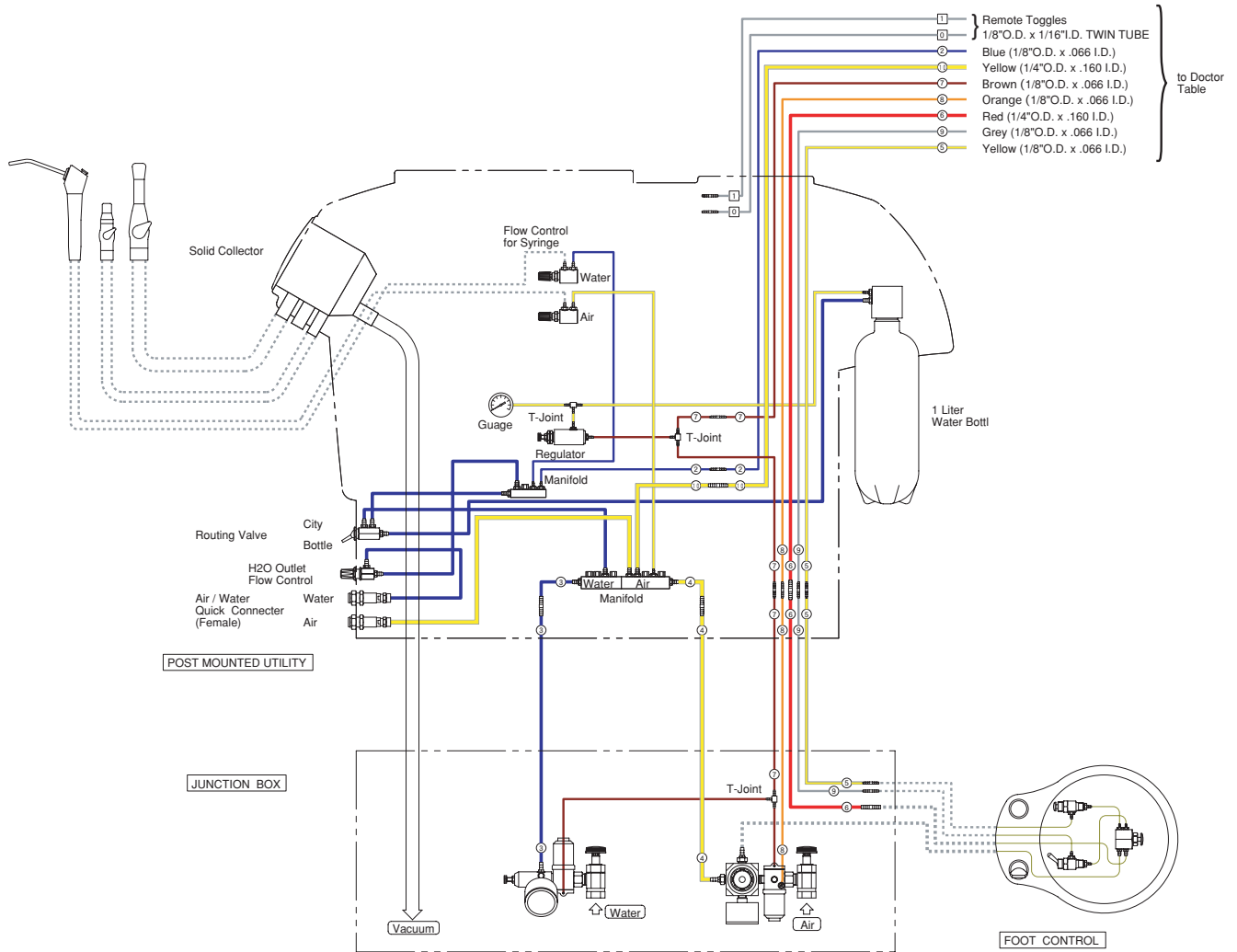
6. Flow Diagram for PMU (BDS-2500)



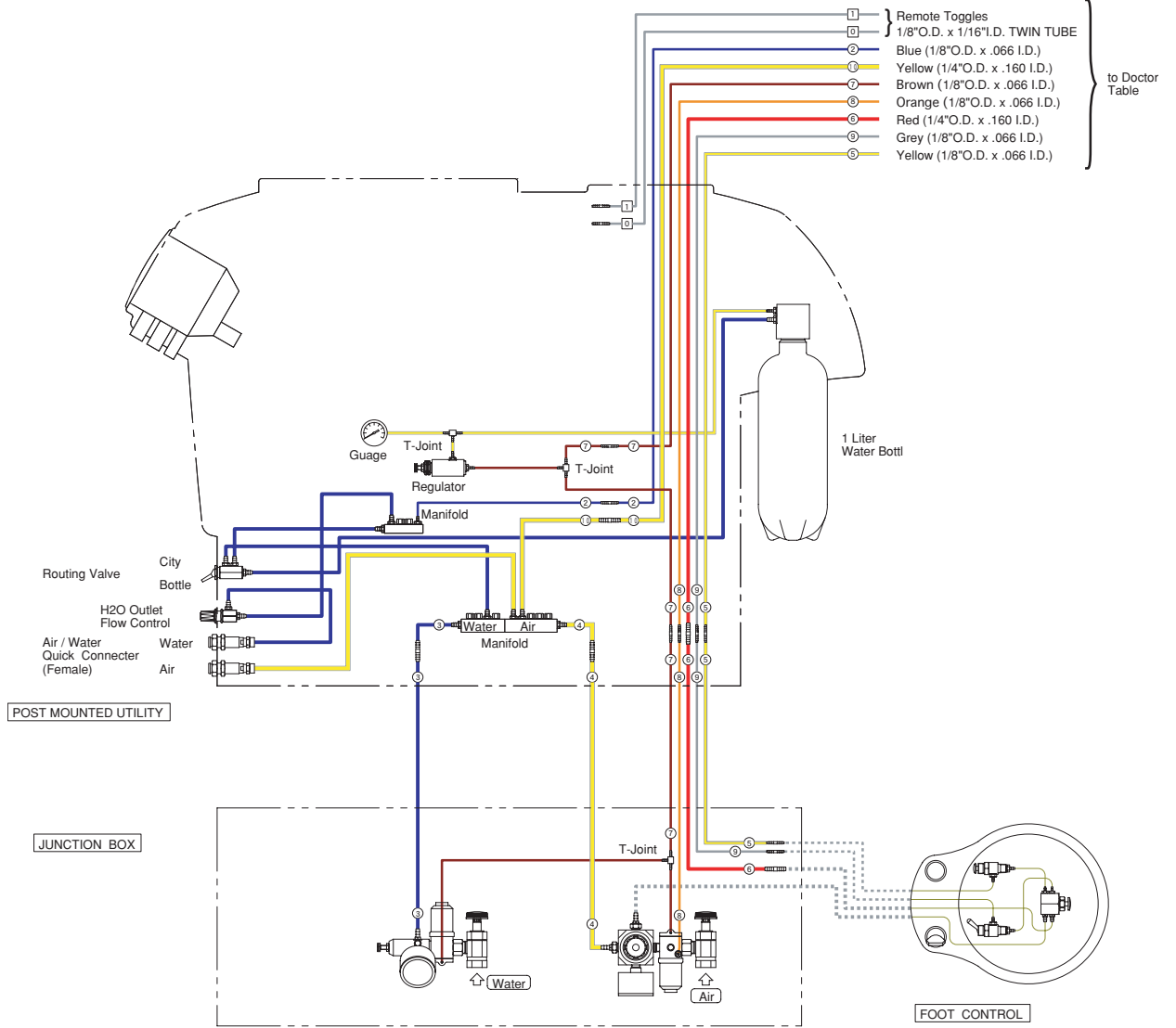
7. Flow Diagram for PMU (BDS-2505)



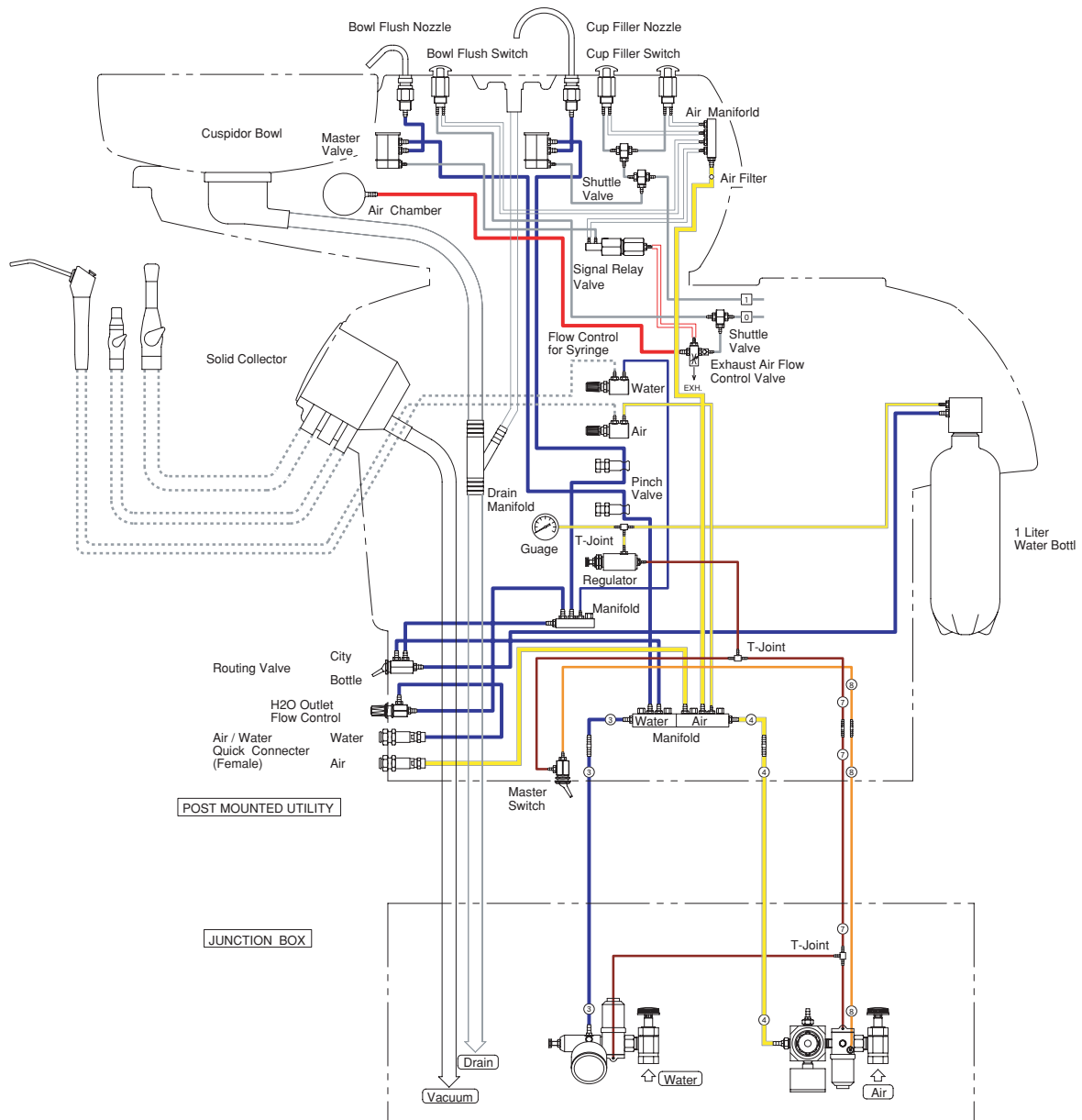
8. Flow Diagram for PMU (BDS-2510)



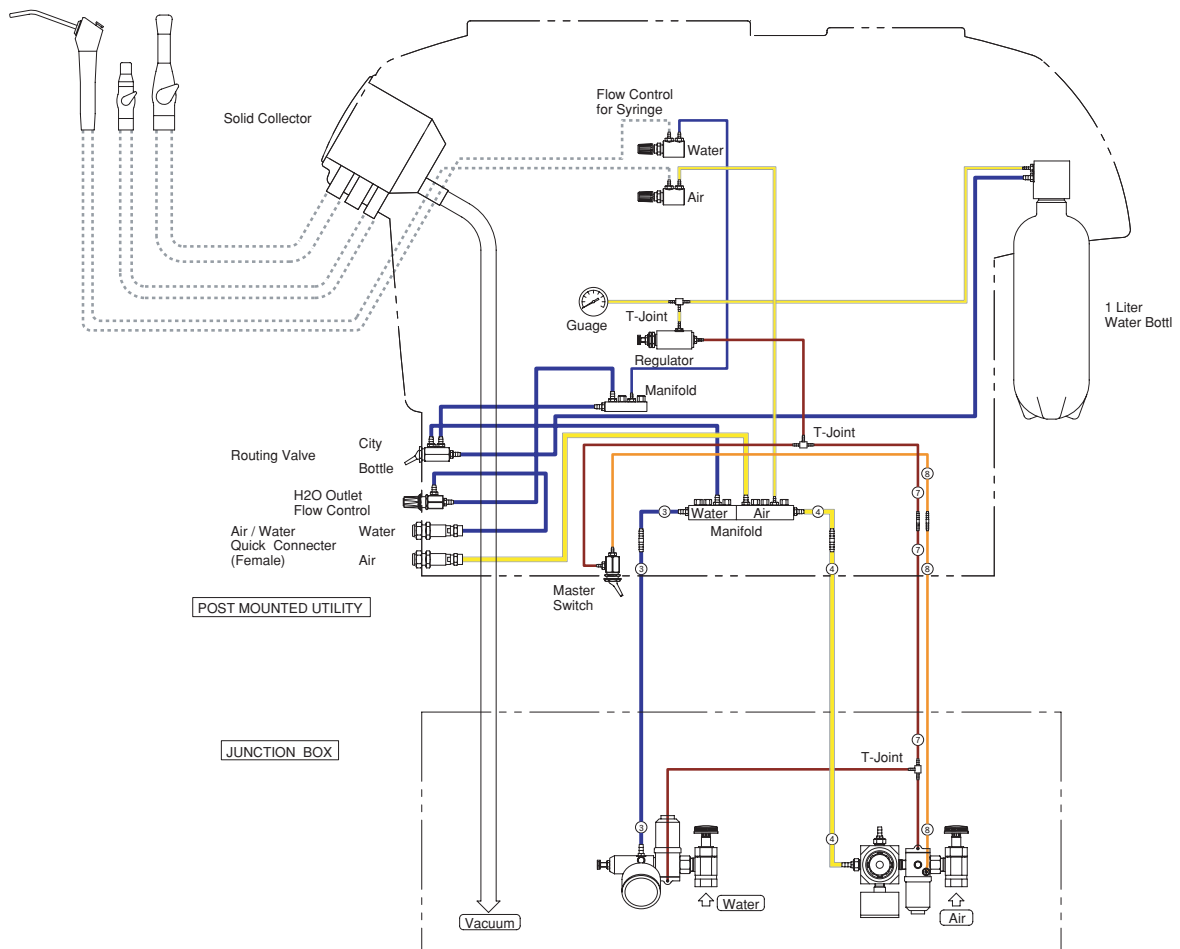
9. Flow Diagram for PMU (BDS-2515)



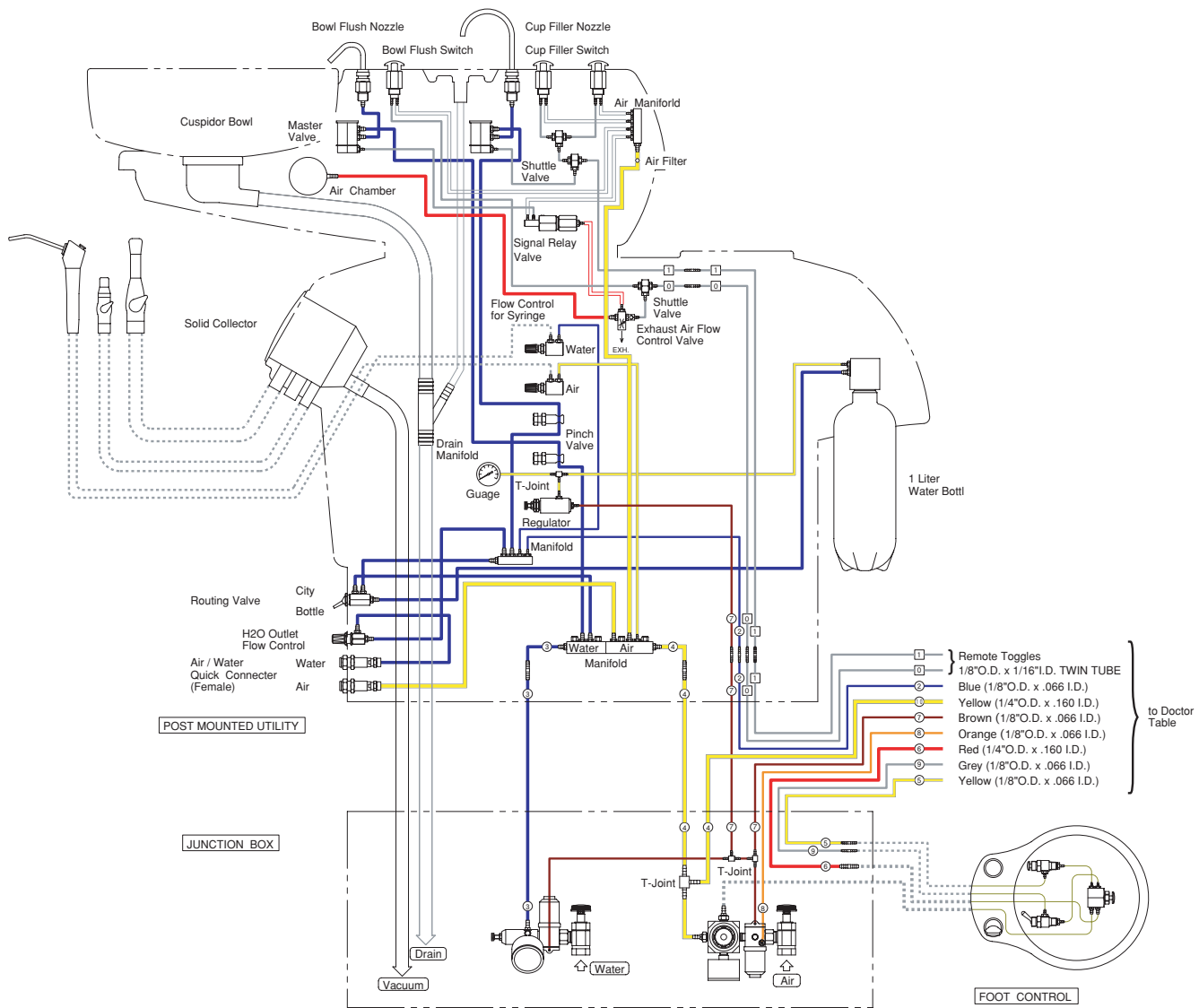
10. Flow Diagram for PMU (BDS-2520)



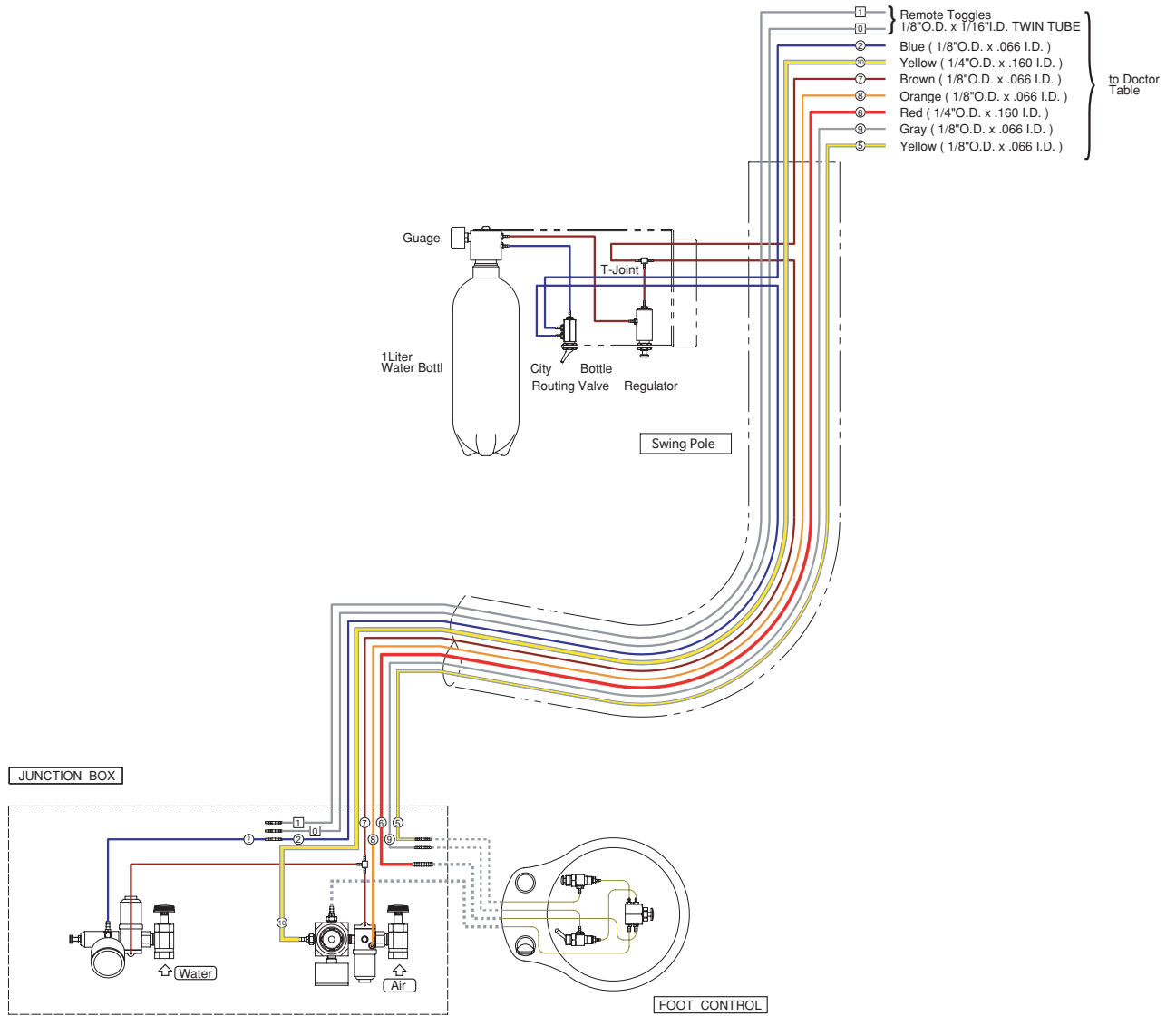
11. Flow Diagram for PMU (BDS-2525)



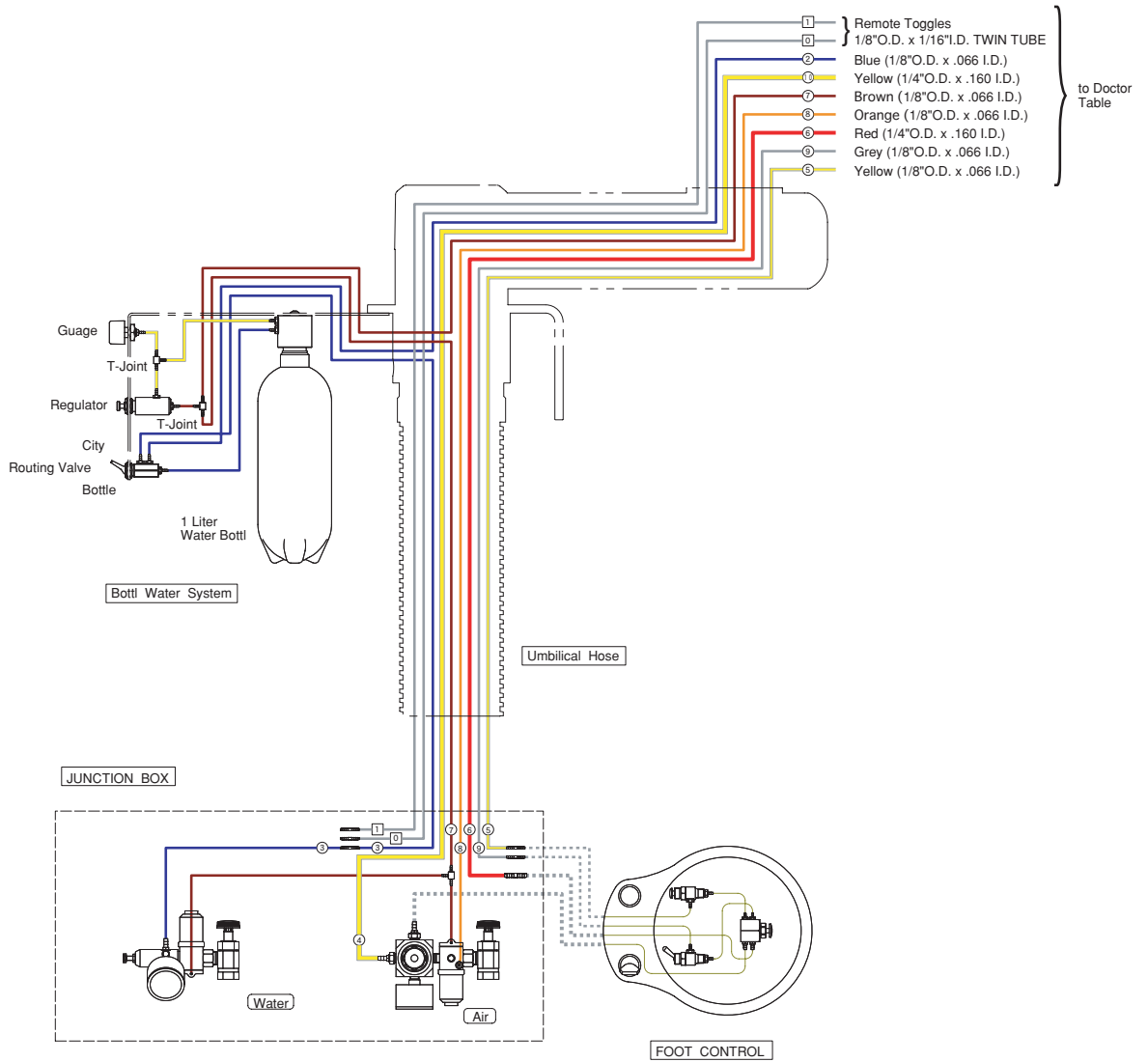
12. Flow Diagram for PMU (BDS-2580)



13. Flow Diagram for Swing Pole (BDS-2570/2575)



14. Flow Diagram for Water System (BDS-2555)



Memo



BELMONT EQUIPMENT CORPORATION

101 Belmont Drive, Somerset, N.J. 08873, U.S.A.

Tel. : (732)469-5000, Toll Free (800) 223-1192

Telefax : (732)469-9430