

## *PARTS BOOK*

# *BDU Series Delivery Systems*

BDU500, BDU510 (Traditional OTP Models)

BDU570, BDU575 (Dr. Swing Mounted Delivery Models)

BDU600, BDU610 (Hygiene OTP Models)

BDU670, BDU675 (Hygiene Swing Mounted Models)

BDU500, BDU510 (Traditional OTP Models)  
BDU600, BDU610 (Hygiene OTP Models)

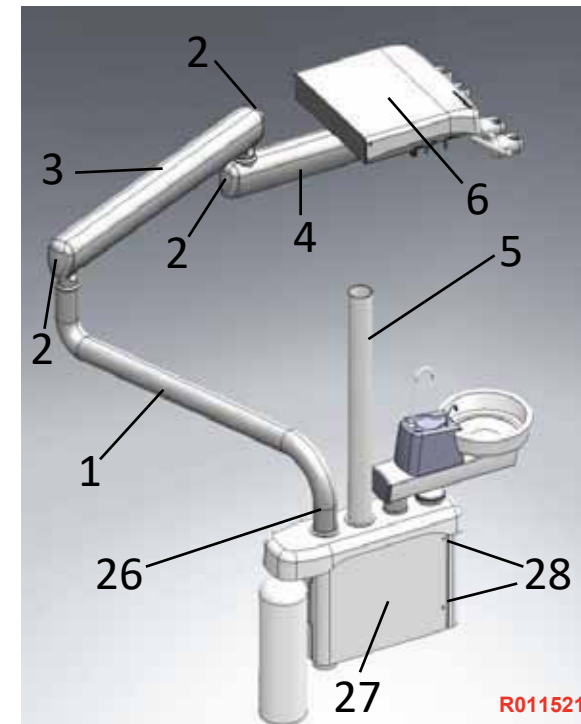
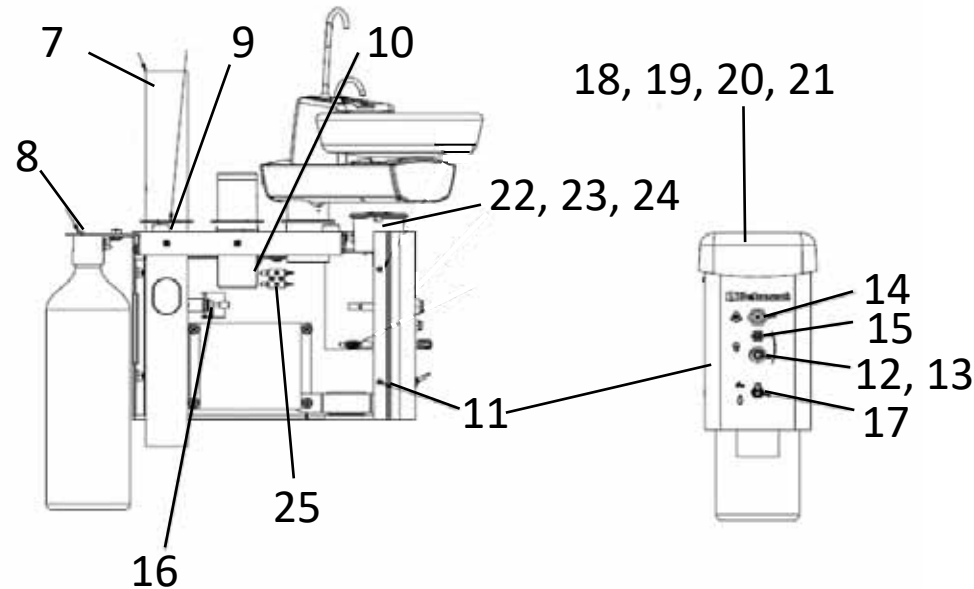


Cuspidor/PMU Section

18	D25196	Dr PMU Cover without Cuspidor
19	D25118	Dr PMU Cover With Cuspidor
20	D25552	Hygiene PMU Cover without cuspidor
21	D25160	Hygiene PMU Cover With Cuspidor
22	D13261	Vacuum Canister W/ Lid & Screen
23	D5888	Vacuum Canister Lid W/ O-ring (PN 2240)
24	D5889	Vacuum Canister Screen
25	D3025	Syringe Flow Control Block
26	D52309	Pivot Washer For Curved Rigid Arm
27	D25203	Cover, PMU Access Panel, Metal
28	D13076	Screw, BH Socket, 8-32 x 3/8", S.S.

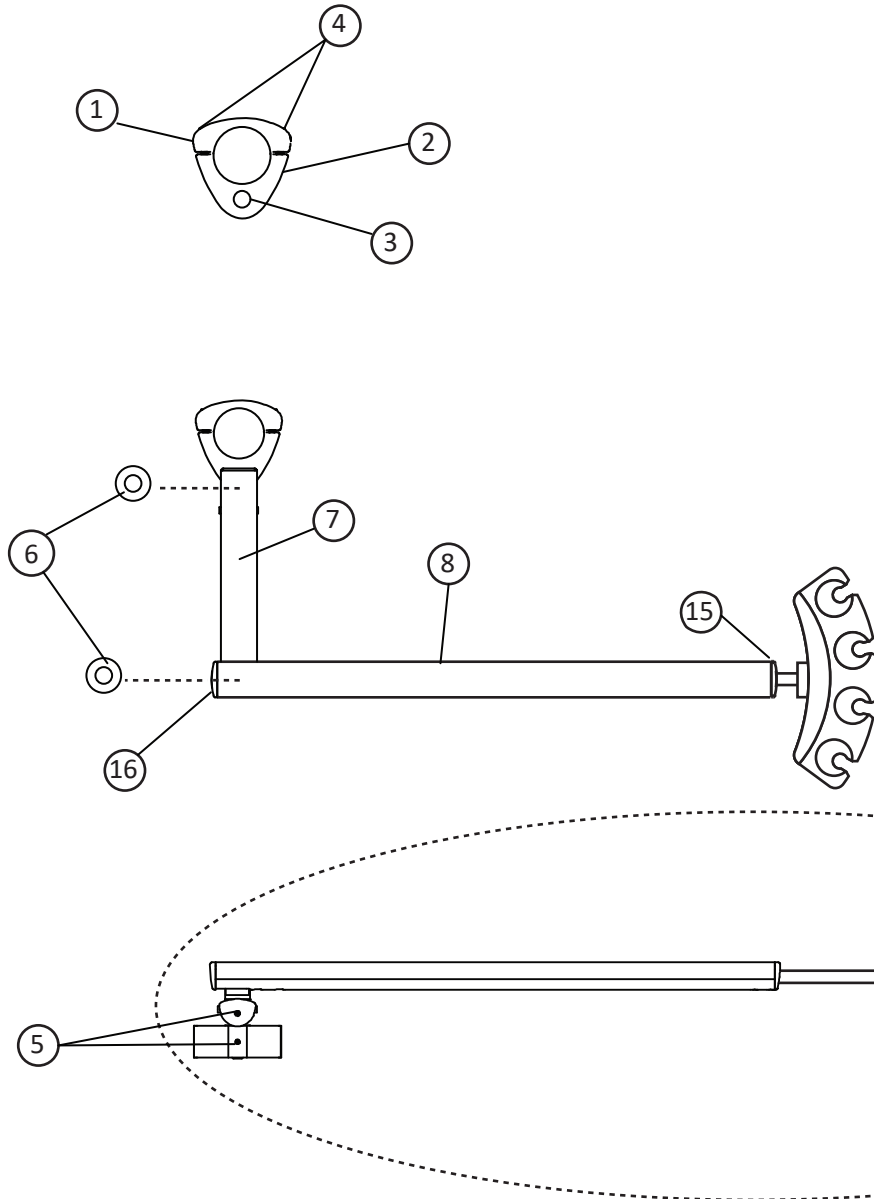
Parts not Shown in Image	
D8493	Chair Adapter
D20184	Light Post/Cuspidor/Unit Hole Plug
<b>D53131</b>	Cuspidor Bowl Screen w/ Gray Cap
D2023	Telescoping Arm
FASA85D0	Assistant Instrument Holder, Gray
DS0011	HVE With Tubing (BDU-500, 510, 520)
D4041	SE With Tubing

1	D20053	Curve Rigid Arm
2	D28388	End Caps
2-4	D52990W	Flex Arm & Rigid Arm Assy.
4	D2068	Rigid Arm Assy w/out end caps
5	DS0012-36IN	36" Light Post (Option)
6	D4490B	DR Unit Head Assy (no arm)
6	D4490BH	Hygiene Unit head Assy (no arm)
7	<b>D25740</b>	PMU Post Assy. w/ Crush Bushing
8	D25580	Water System Manifold Assy
9	D19916	Dress Ring Washer
10	D24757	Light Pole Hub
11	D25202	PMU Wrap Around Cover
12	D7033	Flow Control needle valve, without knob
13	D12159	Knob for flow Control
14	D0010	3/8" Female Poly QD
15	D0011	1/4" Female Poly QD
16	D7224	Regulator
17	D7001	Routing Valve



BDU500  
BDU510

# Telescoping Assistant Arm Assembly



1	D52110W	Clamp, Mounting
2	D52111W	Clamp, Pin Mounting
3	D52115	Bushing, Oilite
4	D13044	Screws, 1/4-20 x 1" Soc Cap, SUS (2pcs)
5	D59023	Setscrews, 10-32 x 3/16" Soc , Cup point, 18-8 SS (2pcs)
6	D9779	Washer, Delrin, .990" OD x .510" ID x .031" Thk.) (2pcs)
7	D52936W	Primary Link Arm (White)
8	D52935W	Telescoping Arm, (White) w/ Sliding rod
9	D25553	Washer, Nylon (.472" OD x .252" ID x .062" Thk.)
10	D5436	Telescoping Arm Assy., Less FASA85D0 (Items 1-10; 12-14)
11	FASA85D0	Assistant Instrument Holder, Crescent Shaped, Gray
12	D25212	Tip, Assistant Telescoping Arm, Plastic, BDU
13	D13060	Screw, Socket Set, OP, 10-32 x 1/4" STL (2pcs Req'd.)
14	D13065	Screw, Socket Set, 5/16-18 x 1/2" NYL.
15	D52937W	End Cap With Hole, Telescoping Arm
16	D52938W	End Cap, No Hole, Telescoping Arm

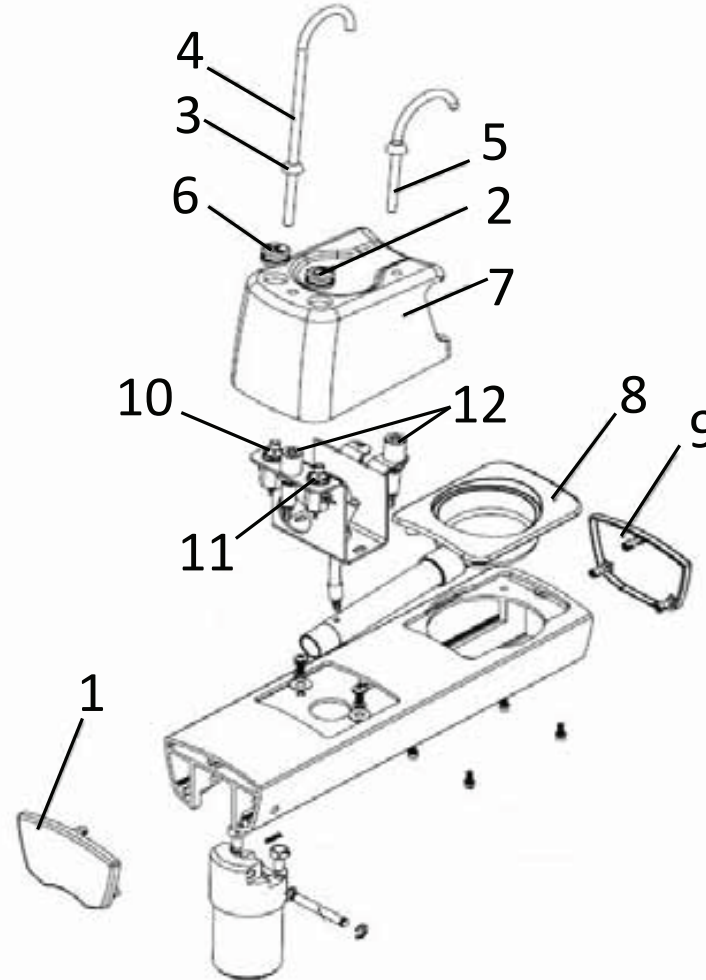
BDU500 (Traditional OTP Dr/Asst Model)

BDU600 (Hygiene OTP Model)

## Cuspidor, Upper Section



1	D2056	Rear Endcap Assy, Cuspidor
2	D250981	Button, Bowl Rinse
3	D252211a	Grommet, Cuspidor spout
4	D252221	Spout, Cupfill
5	D252211	Spout, Bowl Rinse
6	D25099	Button, Cup Fill
7	D25217	Tower, Cuspidor
8	D2009	Drain Assy, Cuspidor
9	D2055	Front Endcap Assy, Cuspidor
10	D7821	Push Button Cartridge Valve, Momentary 2-way NC, Cup Fill
11	D7823	Push Button Cartridge Valve, Momentary 3-way NC, Bowl Rinse
12	D25220	Spout Valve



Items Not Shown	
D53131	Cuspidor Bowl Screen W-Cap
D25797	Cuspidor Bowl Assy W-Seals
D2246	Bowl Seal O-Rings
D7191	Water Relay, Retracting, with 1/8" Barbs
	Bowl Rinse Relay Assy. (w/ Bleed Valve):
	D7191 Relay Valve
	D0867 Cross Connector
	D24832 Needle Flow Valve

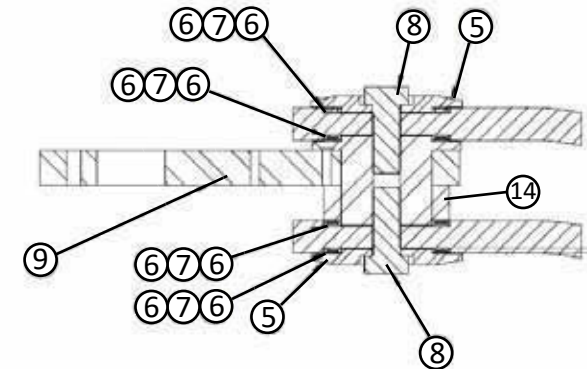
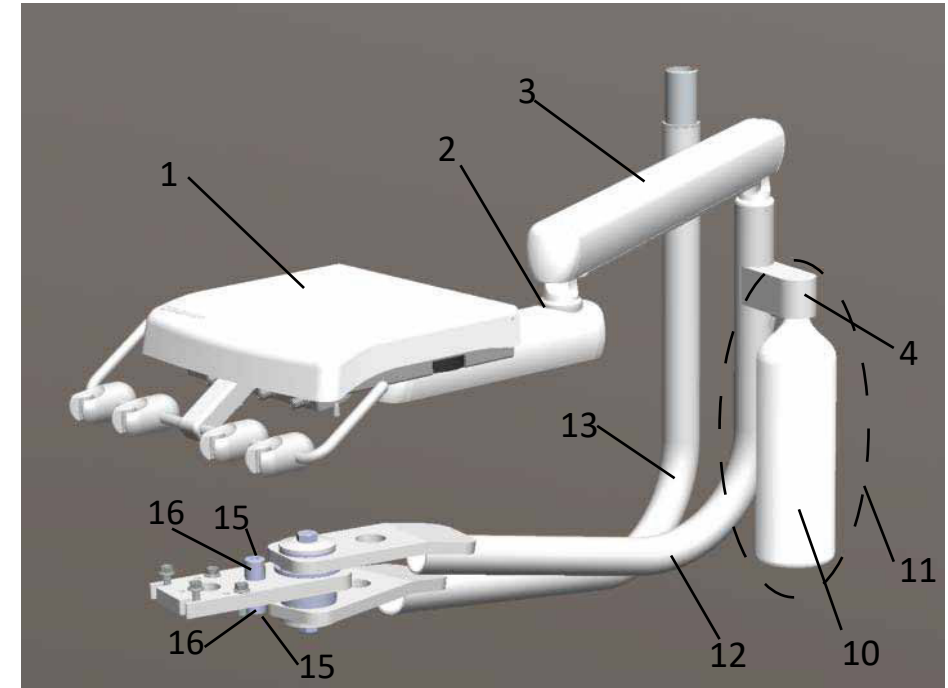
BDU570, BDU575 (Dr. Swing Mounted Models)  
 BDU670, BDU675 (Hygiene Swing Mounted Models)

## Swing Mounted Delivery



1	D4490B	DR Unit Head Assy (no arm)
	D4490BH	Hygiene Unit head Assy (no arm) -Not shown
2	D2068	Rigid Arm Assy w/out end caps
3	D2067	Balance Arm Assy w/out end caps
4	D25580	Water Bottle Manifold Assy
5	D24699	Axle Washer
6	D24755	Washer, 2.75 OD X 2.00 ID
7	D24728	Needle Bearing
8	D25155	5/8-18 x 1" Long SST Bolt
9	D24679	Axle Plate
10	D8638	1 Liter Water Bottle Only
11	D25502	Bracket Assembly for Water System, BDU Swing Mounted Units (Includes tubing, switches & 1 liter bottle)
12	D20172	Unit Swing Arm
13	D30130	Light Swing Arm
14	D24689	Spacer For Lower Light Swing Arm, 2.75" OD x 2.0" ID x .75" Thick
15	D13044	1/4-20 x 1" Soc. Cap Screw

16	D24778	Rotation Stop (Plastic)
	DS0012	30" Light Post & Bushing -not shown
	D8941	Water Bottle QD-not shown
	D25204	Mounting Adapter, X-Cal Series chairs-not shown

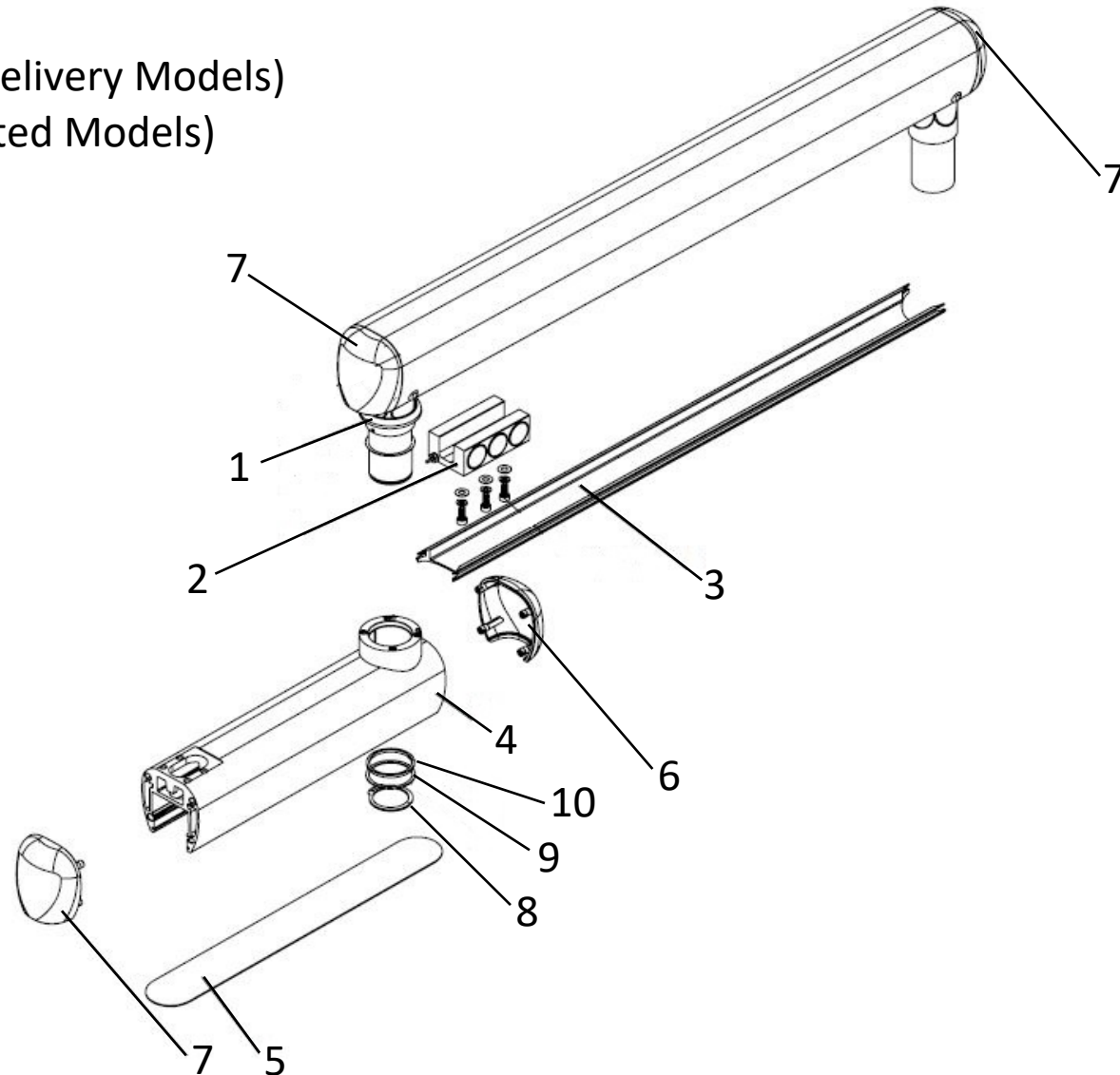


## Balance Arm Assembly



- BDU500, BDU510 (Traditional OTP Models)  
 BDU600, BDU610 (Hygiene OTP Models)  
 BDU570, BDU575 (Dr. Swing Mounted Delivery Models)  
 BDU670, BDU675 (Hygiene Swing Mounted Models)

1-10	<b>D52990W</b>	Flex Arm Assy, Complete
1	D20026	Dress Ring, 2 inch
2	D2004	Brake Block Assy
3	D20023	Dress Panel, Flex arm
4	D2068	Rigid Arm Assy w/out End Caps
5	D25389	Dress Panel, Rigid Arm
6	D28388	End Cap
7	D25678	EndCap for Front of Rigid Arm
8	D25394	Snap Ring
9	D2.0105	Thrust Washer
10	D25392	Spacer





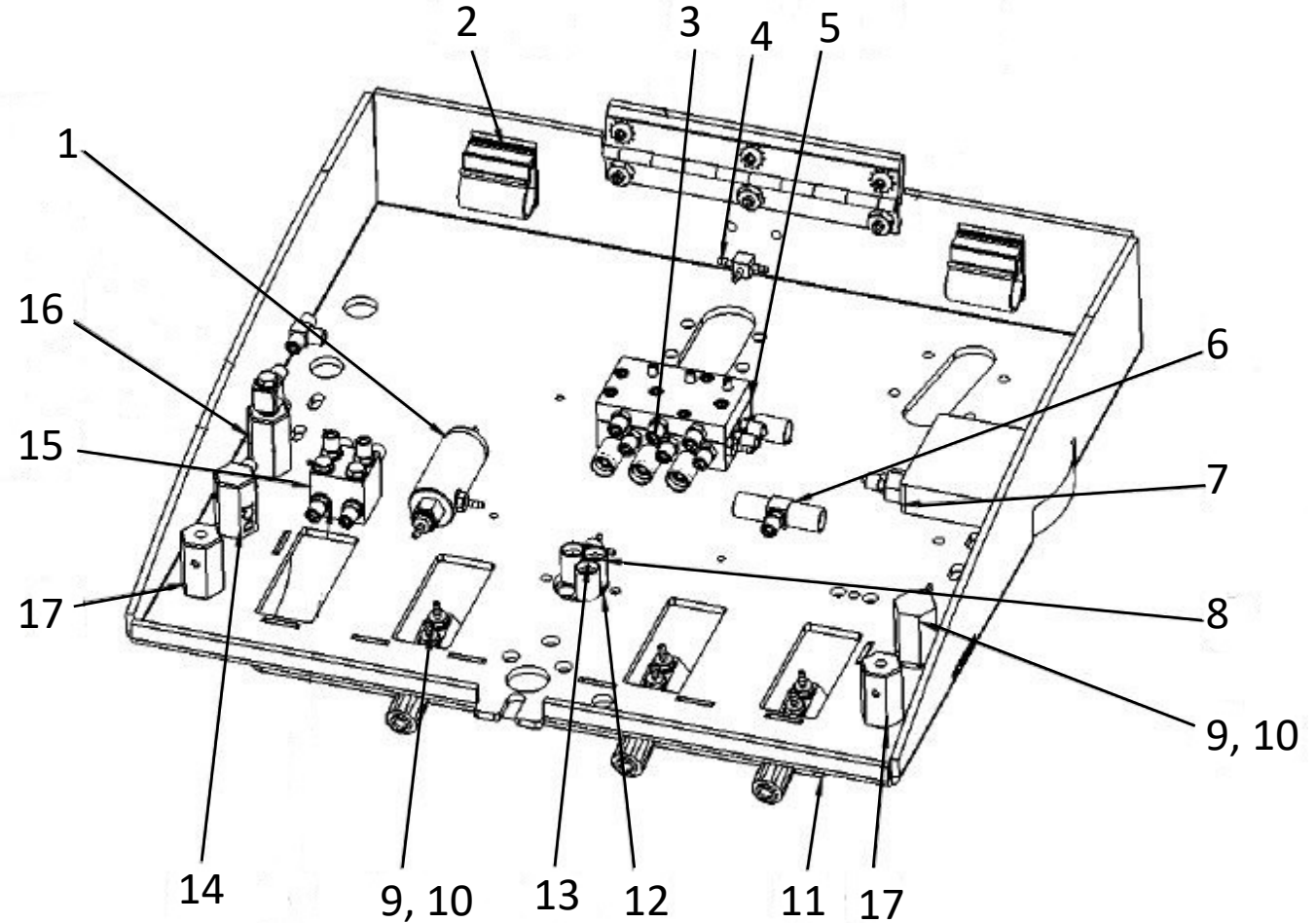
# Doctor's Delivery Control Head



BDU500, BDU510 (Traditional Dr. Delivery Models)

BDU570, BDU575 (Dr. Swing Mounted Delivery Models)

1	D7068	Water Relay, Non-Retracting
2	D9043	¾" Adhesive Clamp, Gray, Pkg of 5
3	D0074	1/16" Barbs & Washer, Pkg of 10
4	D0951	1/16" Tee
5	D4421	Tri-Block
6	D0076	Barbed Nipple 1/8" W/ 10-32 Ports, Pkg of 5
7	D7270	Gauge Rect. w/ Fittings
8	D0952	1/16" Cross
9	D7054	Side Port Needle Valve, W/out Knob
10	D7069	Knob, Gray
11	D25560	Chassis
12	D7321	HP Muffler & Oil Collector
13	D0070	¼" Tubing Clamp Sleeve
14	D7154	Side Ported 3-way Toggle Valve, Gray
15	D25166	Syringe Block Assy
16	D7153	3 Way Valve Assy with Swivel
17	D7157	Side Ported, Mom, 2-way Exhausting, Gray Toggle
	D7443	Kit for Remote Cuspidor Cup fill & Bowl Rinse Includes: D7158 2W, NC MOM. Toggle Valve for Cupfill D7159 3W, MOM. Toggle Valve for Bowl Rinse D7090 Shuttle Valve, 1/16" Barbs



# Hygiene Control Head



BDU600, BDU610 (Hygiene OTP Models)

BDU670, BDU675 (Hygiene Swing Mounted Models)

1	D25560	Chassis
2	D4566	Syringe Holder
3	D4561	HP Holder
4	D25191	Snout
5	D14600	Set Screw, Snout
6	D25190	Holder Bar
7	D7054	Side Ported Needle Valve, W/out knob
8	D7069	Gray Knob
9	D7270	Rectangular Gauge
10	D11092	1/8" Barbed Nipple w/ 10-32 Ports
11	D5870	Vacuum Canister
12	D25522	Tri-Block w/ one side blocked
13	D9043	3/4" Adhesive Clamp, Gray, Pkg of 5
14	D7068	Water Relay, Non-Retracting
15	D7153	3-Way Toggle Valve W/ Swivel
16	D7154	3-way Toggle Valve, Gray
17	D7321	Oil Collector
18	D0952	1/16" Tee Connector
19	D25166	Syringe Block Assy
20	D7157	Side Ported, 2-Way Exhausting, Mom NO Valve

