

D-Series Dental Cabinetry System

Installation Manual

Model: D-1

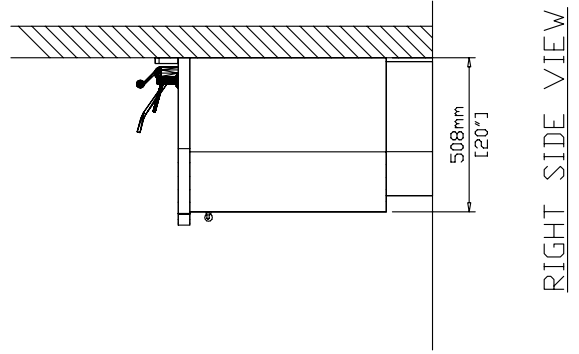
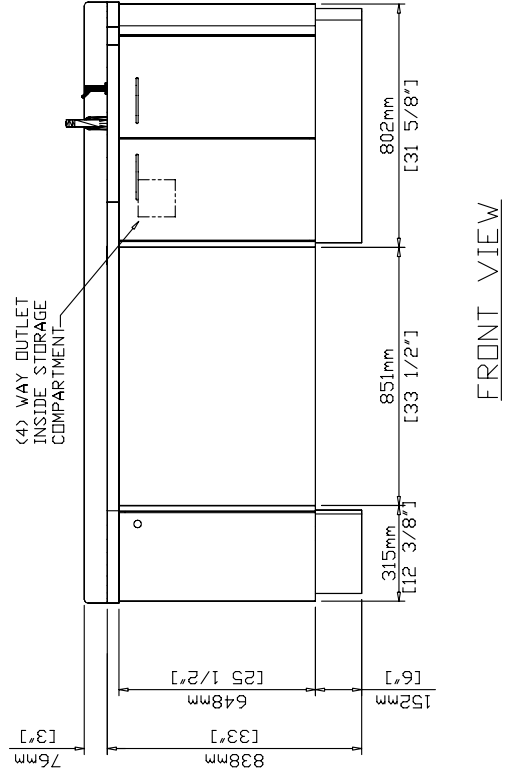
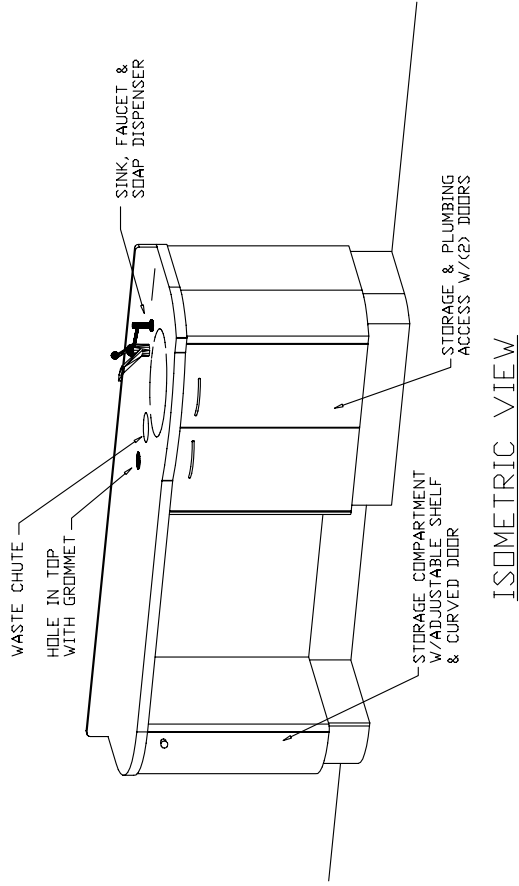
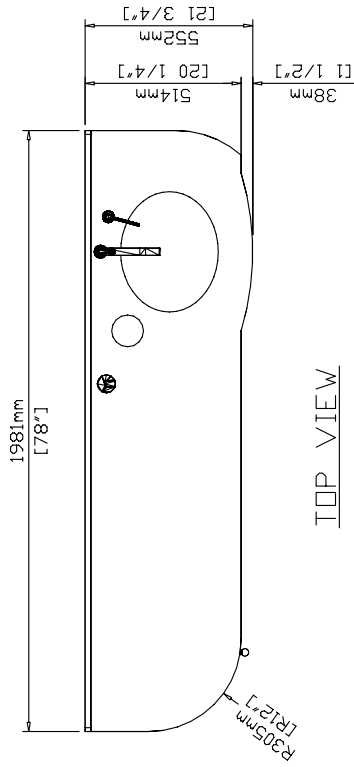


 **Belmont**[®]

1631 Dr. Martin Luther King Drive
St. Louis, MO 63106
(314) 231-7383 1-800-325-7373
Fax (314) 621-2296
www.belmontequip.com

Model: D-1 Dimensions

Description: D-1 DOCTOR'S CONSOLE



Adjustment Instructions for Concealed Hinges and Drawers

3-Dimension Adjustment for Snap-On Hinge

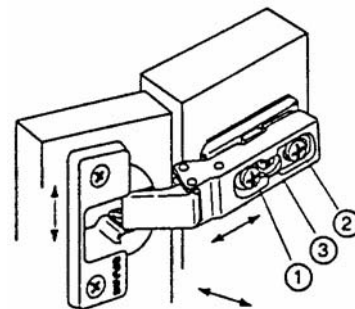
Note: Remove Cover Cap

Allows for three-way adjustments in the hinge arm.
The side adjustment is a micro adjustment. The depth and height adjustment is held by a grid system.

Use #2 POZIdrive screwdriver to adjust screws.

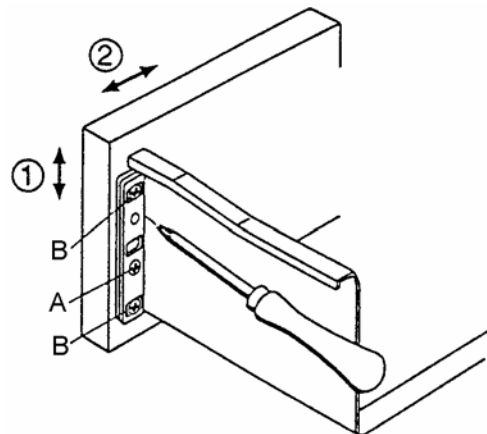
- 1 – Side adjustment
- 2 – Depth adjustment
- 3 – Height adjustment

Release Latch

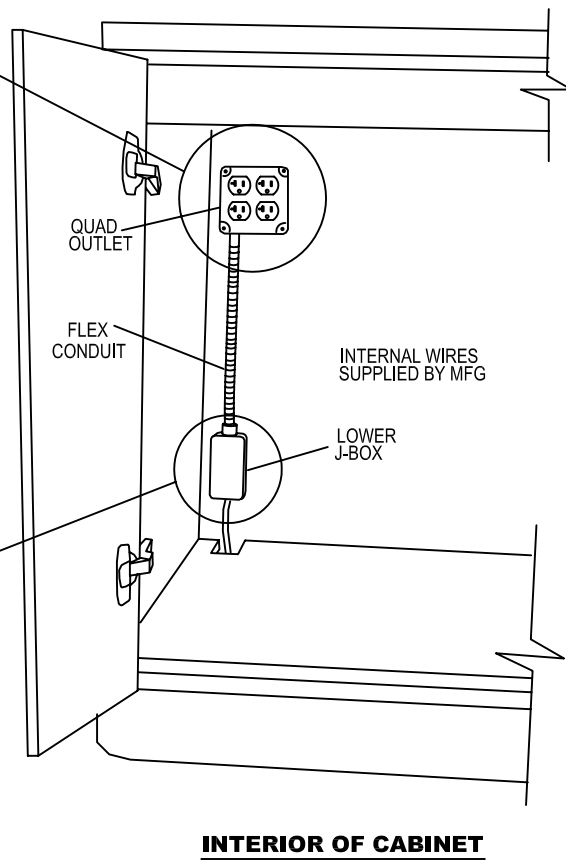
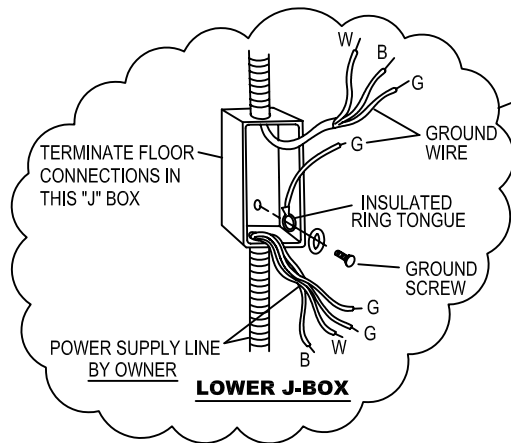
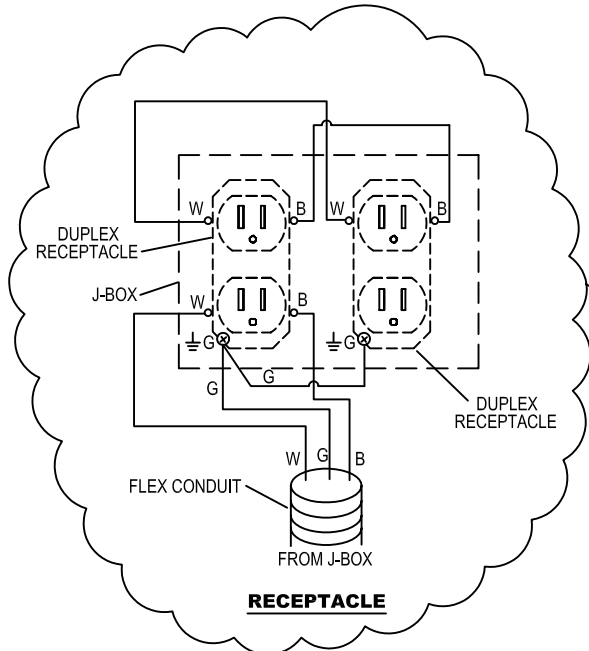


Adjustment for Drawer

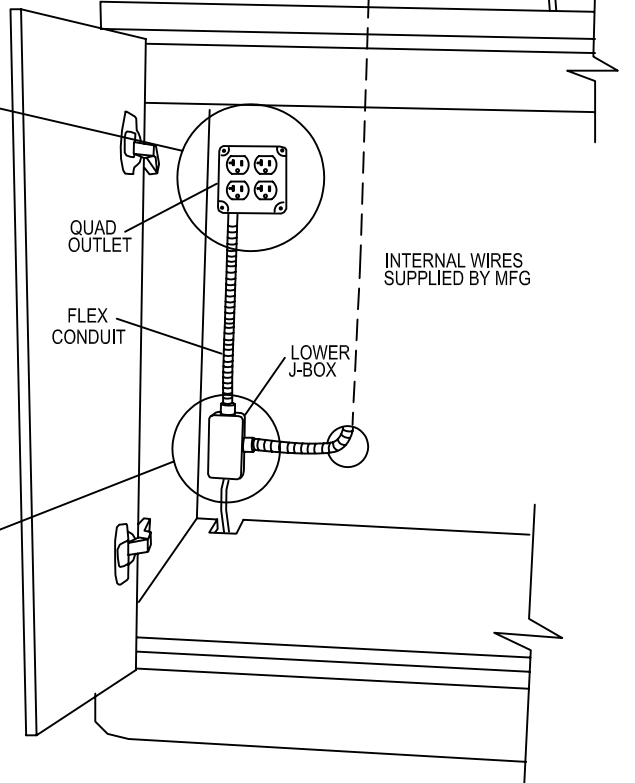
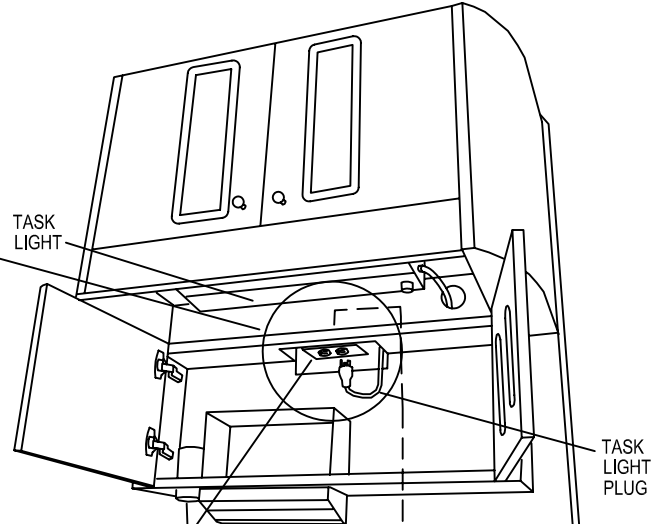
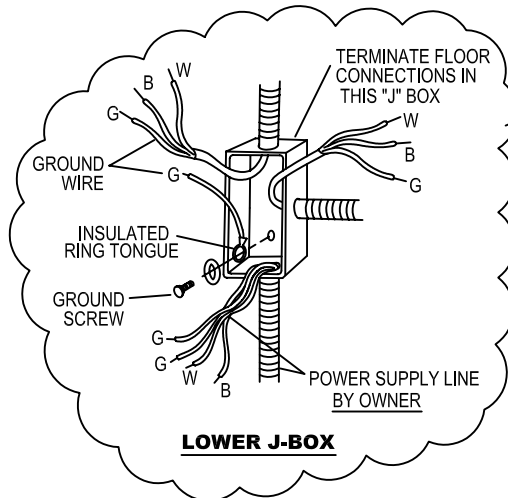
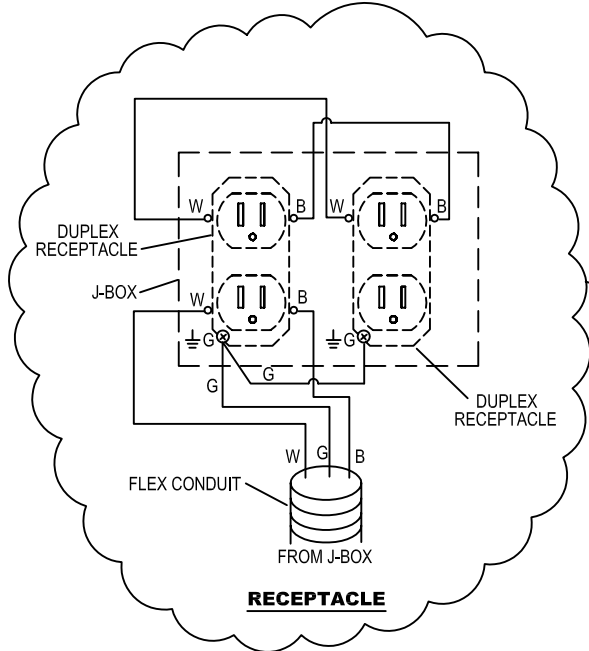
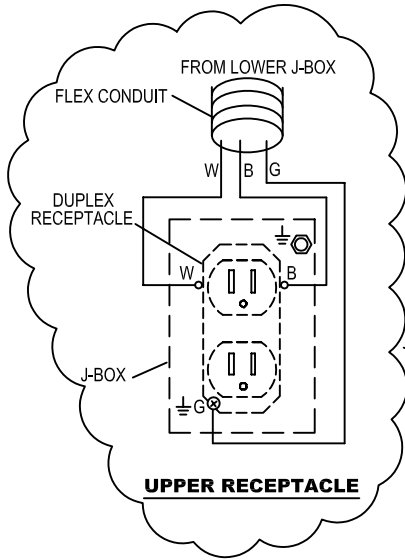
- 1 – Height adjustment: Loosen screws **B** slightly. Adjust screw **A** (adjustment +/- 2mm). Tighten screws **B**.
- 2 - Side adjustment: Loosen screws **B** slightly. Adjust front to required position (adjustment range +/- 1.5mm). Tighten screws **B**.

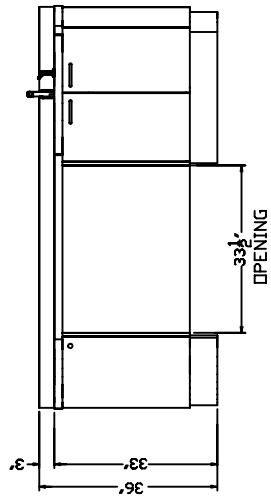
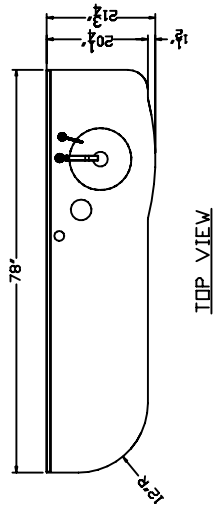
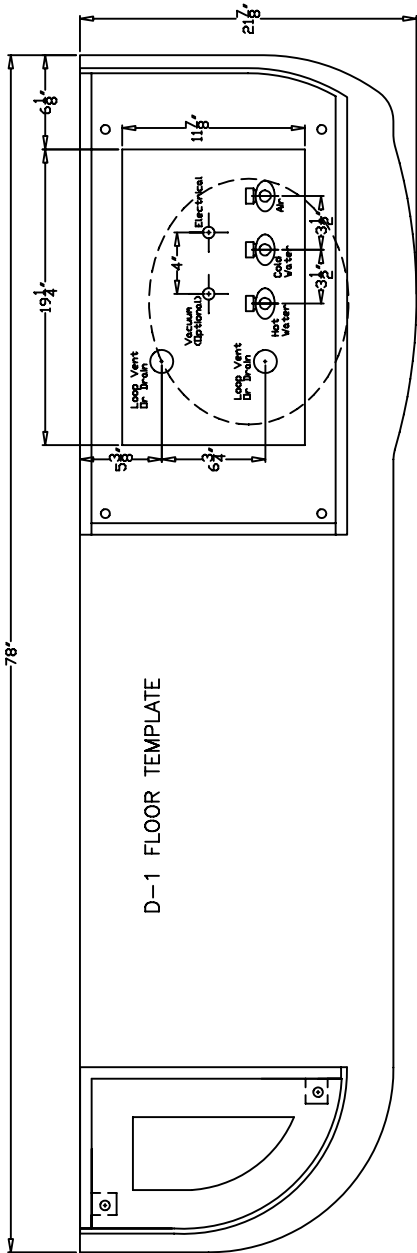


D-1 & D-3 ELECTRICAL HOOKUP

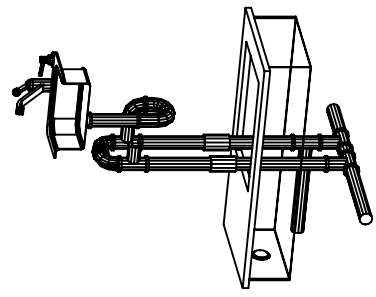
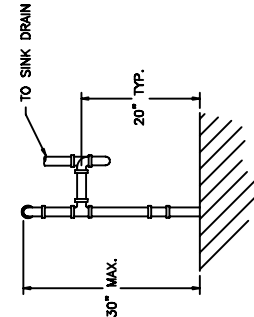
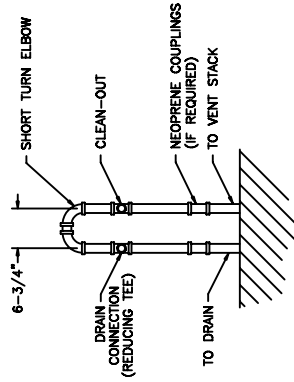
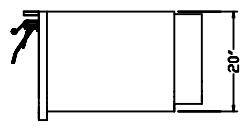


D-1 OR D-3 WITH D-2 ELECTRICAL HOOKUP





RIGHT SIDE VIEW



KOKEN MANUFACTURING ASSUMES NO RESPONSIBILITY FOR MEASUREMENTS OR DIMENSIONS OF THE CABINET OR FOR THE LOCATION OF ELECTRICAL SOURCES OR CORRECT AMPERAGE REQUIRED. PLUMBING ARE MEASUREMENTS ON THIS DRAWING ARE FOR INFORMATION ONLY. LOCAL CODE REGULATIONS SHOULD BE CHECKED WITH THE ARCHITECT OR PROPER CONTRACTOR BEFORE WORK IS STARTED.

PLUMBING NOTES
 1-1/2" DR. DRAIN SHOWN. SIZE MAY VARY ACCORDING TO LOCAL CODE.
 IT IS THE RESPONSIBILITY OF THE INSTALLER TO CONFIRM THAT THE INSTALLATION MEETS ALL LOCAL CODES FOR DRAINAGE, VENTING, ETC.

REV.	DATE	DESCRIPTION	BY
		KOKEN MANUFACTURING CO., INC. ST. LOUIS, MISSOURI	
		TITLE	
		D-1 FLOOR TEMPLATE	
		DRAWN BY	
		L. Linschme	
		SCALE	1=1
		DATE	5/27/2003
		DRAWING NO.	P11343

NOTE: PLAN AND ELEVATION VIEWS ARE FOR REFERENCE ONLY. SEE INSTALLATION MANUAL FOR DETAILED INFORMATION.

D-1 WALL TEMPLATE FOR REAR PLUMBING

