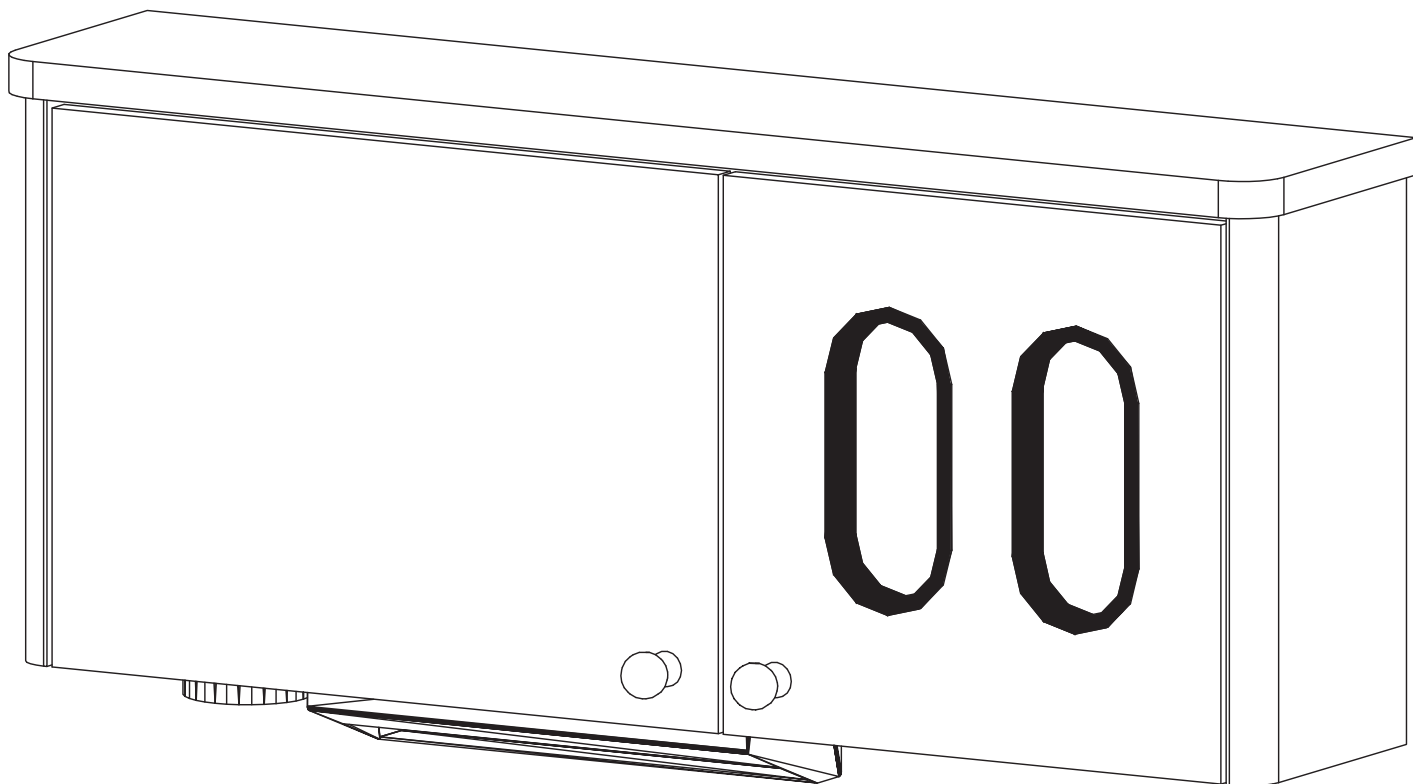


D-Series Dental Cabinetry System

Installation Manual

Model: D-2L



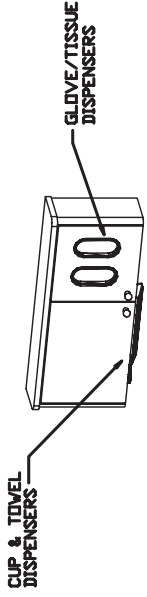
Version: 04272010



1631 Dr. Martin Luther King Drive
St. Louis, MO 63106
(314) 231-7383 (888) 833-3682
Fax (314) 621-2296
www.belmontequip.com

Model: D-2L Details

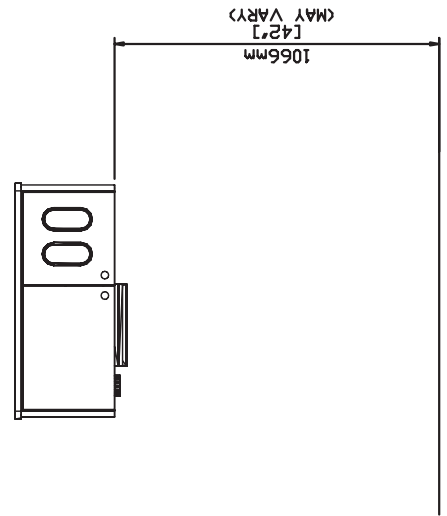
Description: D-2L LOWER WALL MOUNT STORAGE UNIT



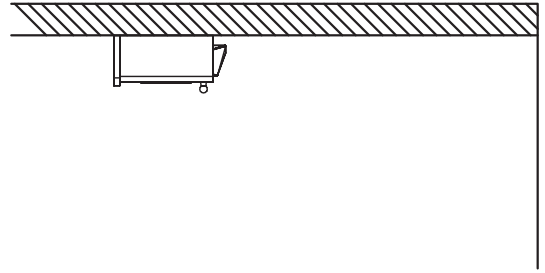
ISOMETRIC VIEW



TOP VIEW



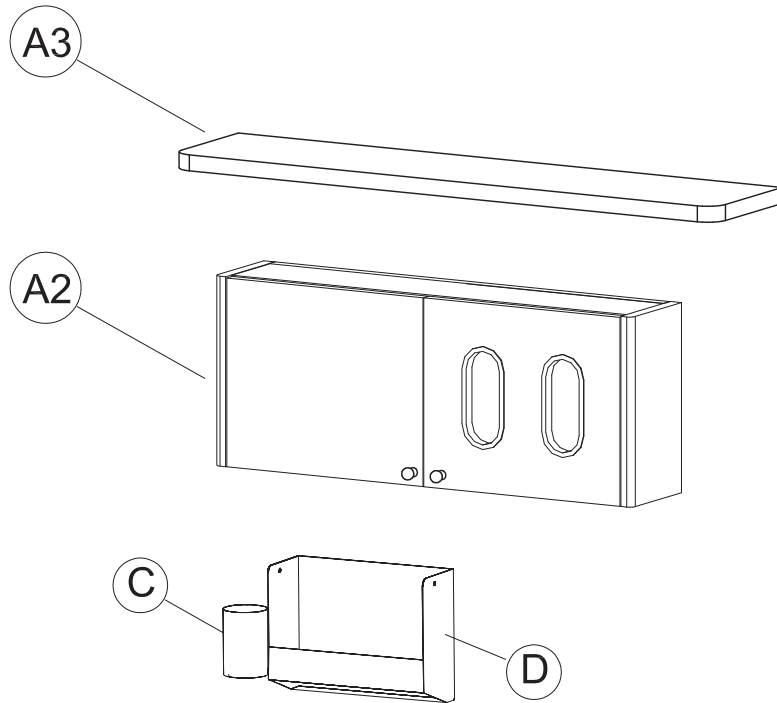
FRONT VIEW



RIGHT SIDE VIEW

D-2L Assembly Instructions

Component Identification



Component Identification

- (A2) D-2L Wall Mount Storage Cabinet (Lower)
- (A3) D-2L Top
- (C) Cup Dispenser
- (D) Towel Dispenser

D-2L Assembly Instructions

Step 1

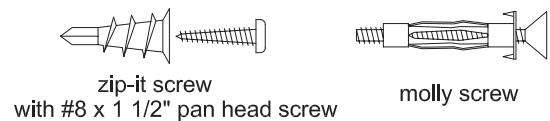
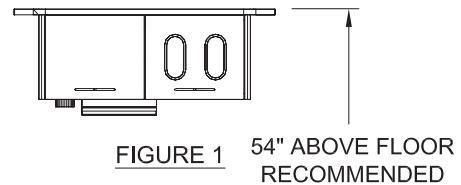
Locate where the cabinet is to be mounted on the wall. 54" from the floor to the top of the cabinet is the suggested location. See [Figure 1](#)

Open the doors and at the inside corners drill a 3/16" dia. hole through the back panel (this will be the wall mounting screw locations).

Important!

Before drilling the holes for the wall mounting you will need to decide how best to fasten it to the wall depending on the walls construction. Its recommended that you fasten into structural members where possible such as wood or metal studs. You may screw directly into studs with the appropriate screw type.

Mounting the cabinet to drywall only you may use the manufacturer recommended fasteners: (four zip-it screws with #8 x 1 1/2" pan head screws or four molly screws).



Step 2

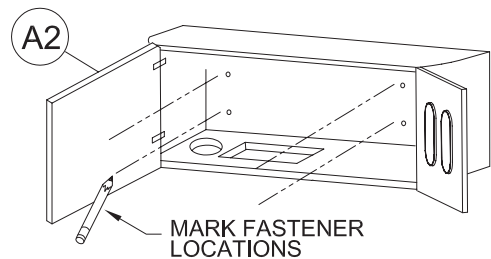
Hold cabinet (with an assistants help) up to the wall at the location to be mounted making sure it is level. Mark the wall through the (4) holes previously drilled.

If screwing directly into a structural member you may do so now by drilling small pilot holes for the appropriate screws. **Skip to Step 3.**

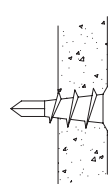
If you will be using zip-it or molly screws you will need to drill appropriate sized holes for the type of fastener at the locations marked.

Zip it screws: Drive the zip-it screws into hole locations until the top is flush with the drywall. See [Figure 2B](#).

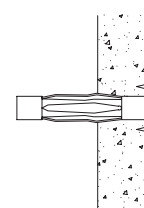
Molly screws: Drill 3/8" holes into the drywall at desired locations and insert the molly inserts into the holes until the top is flush with the drywall. See [Figure 2C](#). Fully thread the molly screws into the molly inserts to compress & secure them to the drywall then remove the screws. See [Figure 2D](#).



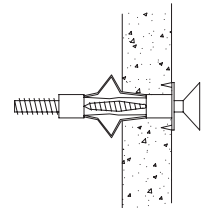
[FIGURE 2A](#)



[FIGURE 2B](#)



[FIGURE 2C](#)



[FIGURE 2D](#)

D-2L Assembly Instructions

Step 3

Place the cabinet into location and drive fasteners through the holes and into the zip-it or molly inserts already mounted into wall or directly into the structural member if present. Figure 3A

If using the molly screws make sure you tighten the screws sufficiently for the molly inserts to properly grip drywall. Figure 3B

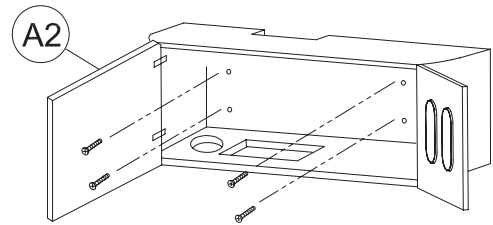


Figure 3A

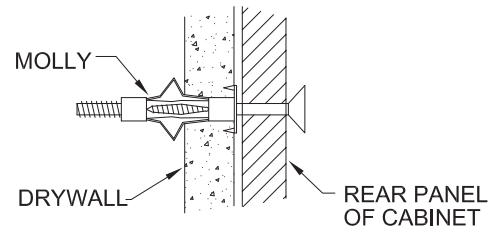


Figure 3B

Step 4

Using the provided silicone apply silicone to the top of the cabinet. Place the Cambria top onto the top of the cabinet and press down to properly seat the top. Figure 4

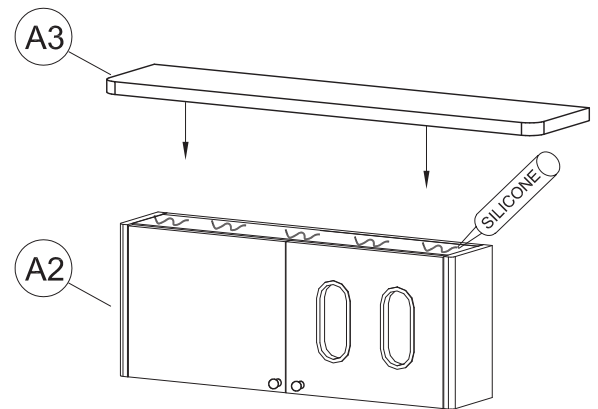


Figure 4

Step 5

Open the left door and insert the cup dispenser (C) through the hole and the towel dispenser (D) through the rectangular cutout. Figure 5

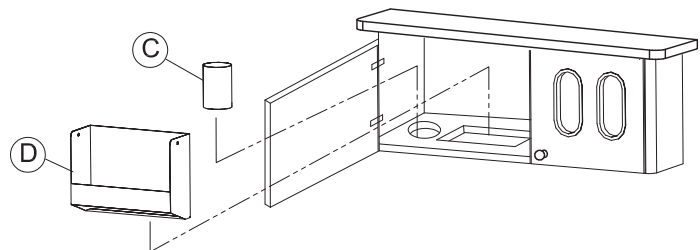


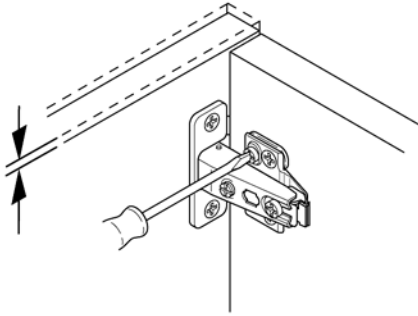
Figure 5

Installation Complete

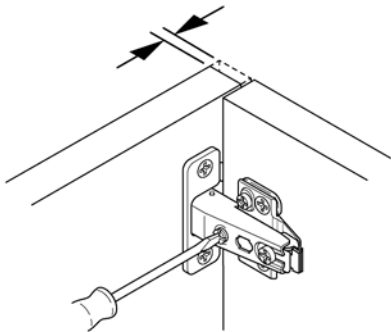
Adjustment Instructions for Concealed Hinges and Drawers

Hinge Adjustment For Standard Doors

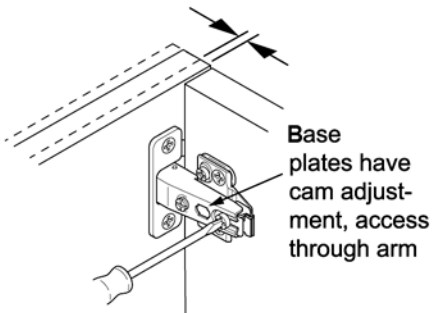
Height



Side



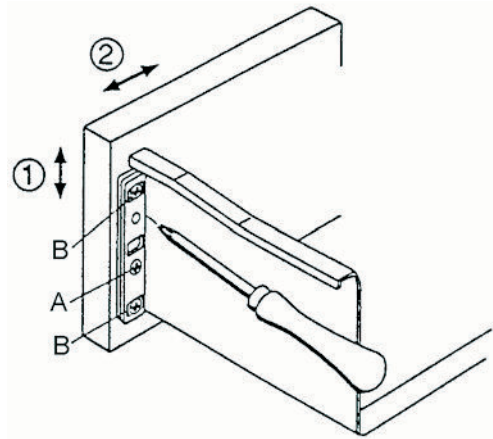
Depth



Adjustment for Drawer

1 – Height adjustment: Loosen screws **B** slightly. Adjust screw **A** (adjustment +/- 2mm). Tighten screws **B**

2 - Side adjustment: Loosen screws **B** slightly. Adjust front to required position (adjustment range +/- 1.5mm). Tighten screws **B**



Surface Cleaning

Ortho-Sys. ECO-Sys, D-Series, & E-Series

Belmont Recommends:

- *Countertop Magic*® for Laminate and Solid Surface Work Surfaces
- *Stone Clean and Polish Magic*® for Cambria Quartz Work Surfaces
- *Cabinet and Wood Magic*® for Laminate and Melamine Surfaces
- *Stainless Steel Magic*® for Stainless Steel Surfaces

Products available at Lowes®, Home Depot®, or @ www.magicamerican.com

Laminate/Melamine Surfaces

Clean surfaces with a damp cloth or sponge with a mild soap.

Stains may be removed with most non-abrasive household cleaners such as Formula 409®, Fantastik®, Glass Plus®, or Windex with Ammonia D®.

For tough stains, use a paste of baking soda and water and apply with a soft bristled brush. Although baking soda is a low abrasive, excessive scrubbing or exerting too much force may damage the decorative surface.

Many commercially available products contain substances that may damage or discolor the decorative surface. **Do not** use abrasive cleaners such as toilet bowl cleaners, hydrogen peroxide, oven cleaners, drain cleaners, metal cleaners and polishes, chlorine bleach, coffee pot cleaners, hard water stain removers, fruit and berry juice, tub and tile cleaners, or equivalent.

LG HI-MACS® Solid Surface Tops

Clean surfaces with a damp cloth or sponge with a mild soap.

Stains can easily be removed using a domestic all-purpose cleaner or for tough stains use a bleaching agent (**do not leave in contact with the work surface for more than five minutes**) and rinse with clean water.

Avoid using cleaning agents that contain acids, such as methyl chloride or acetone. Should one of these products accidentally come into contact with the material, as a precautionary measure, rinse the surface with soapy water to prevent any discoloring taking place.

For additional care/maintenance, visit: www.lghausys.com

Cambria® Quartz Work Surfaces

Clean surfaces with a damp cloth or sponge with a mild soap.

Do not use abrasive, strong alkaline, acid, free radicals, or oxidized cleaners (whether high, neutral or low pH). **Do not** use products such as bleach, oven cleaners, Comet®, Soft Scrub®, SOS®, products with pumice, batteries, paint removers, furniture strippers, or tarnish/silver cleaners. **Do not** use abrasive or harsh scrub pads. **Do not** apply sealers, penetrants or topical treatments, as such products will wear off and cause the gloss to appear dull or inconsistent.

For additional care/maintenance, visit: www.cambriausa.com