

# D-Series Dental Cabinetry System

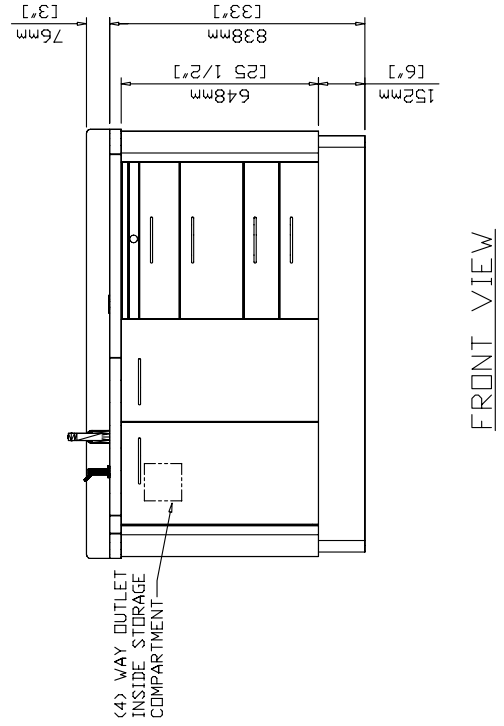
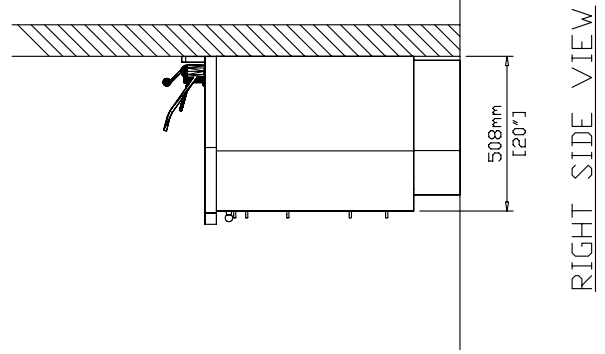
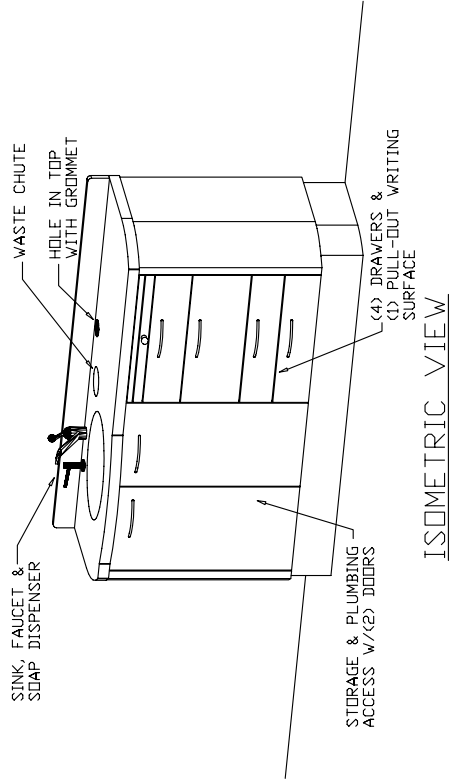
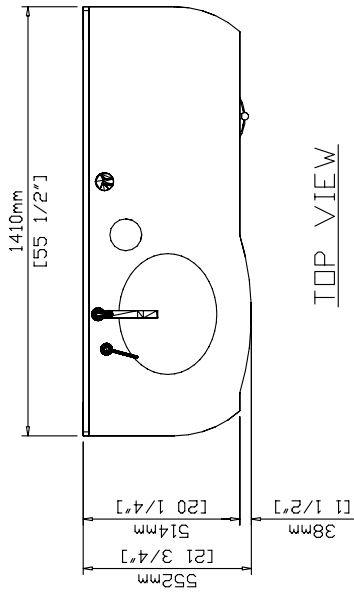
## Installation Manual

Model: D-3



1631 Dr. Martin Luther King Drive  
St. Louis, MO 63106  
(314) 231-7383 1-800-325-7373  
Fax (314) 621-2296  
[www.belmontequip.com](http://www.belmontequip.com)

Description: D-3 ASSISTANT'S CONSOLE



Model: D-3 Dimensions

## Adjustment Instructions for Concealed Hinges and Drawers

### 3-Dimension Adjustment for Snap-On Hinge

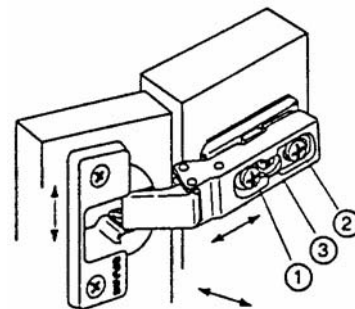
Note: Remove Cover Cap

Allows for three-way adjustments in the hinge arm.  
The side adjustment is a micro adjustment. The depth and height adjustment is held by a grid system.

Use #2 POZIdrive screwdriver to adjust screws.

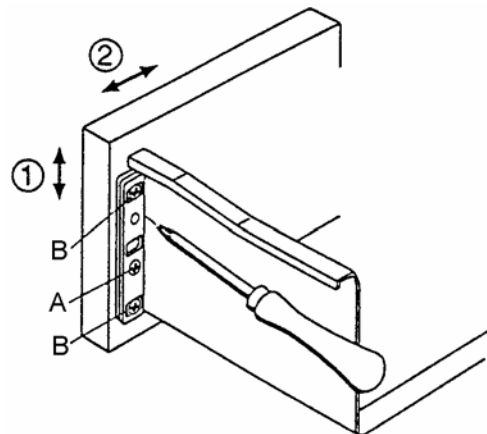
- 1 – Side adjustment
- 2 – Depth adjustment
- 3 – Height adjustment

### Release Latch

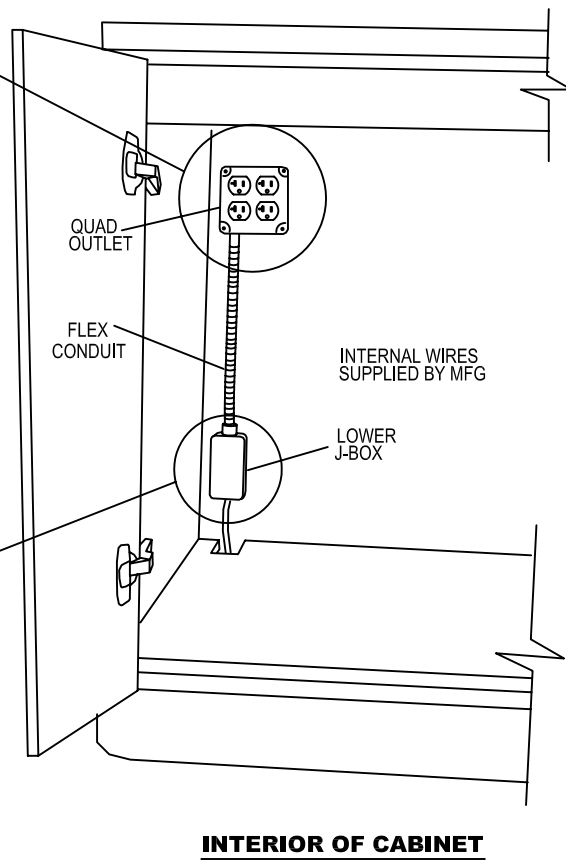
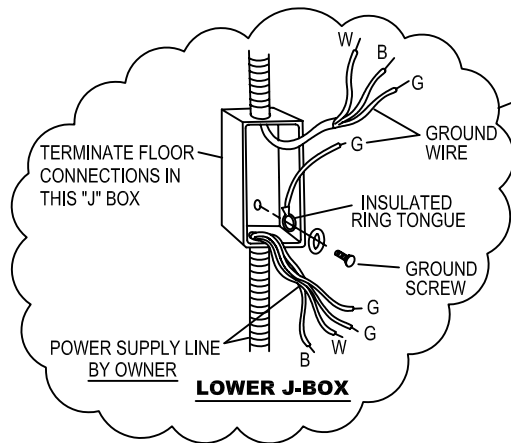
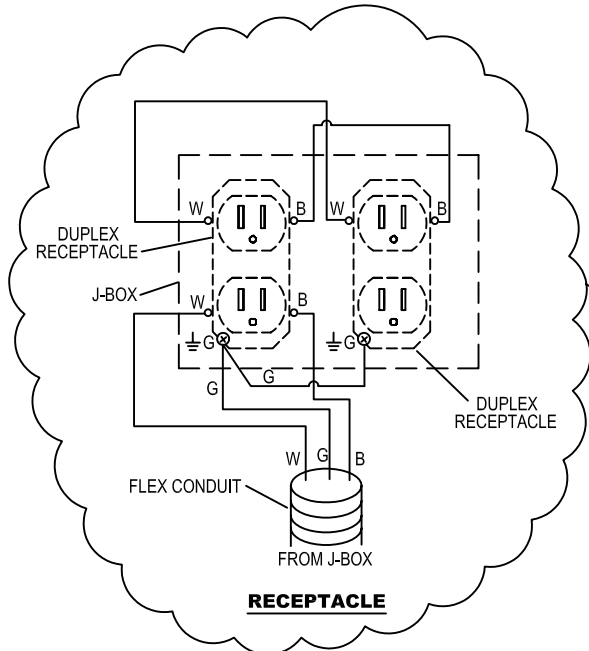


### Adjustment for Drawer

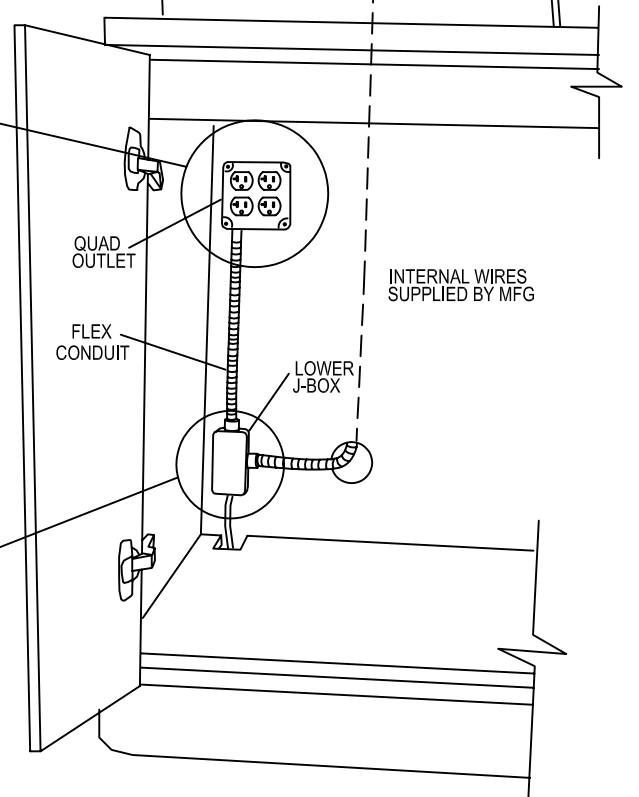
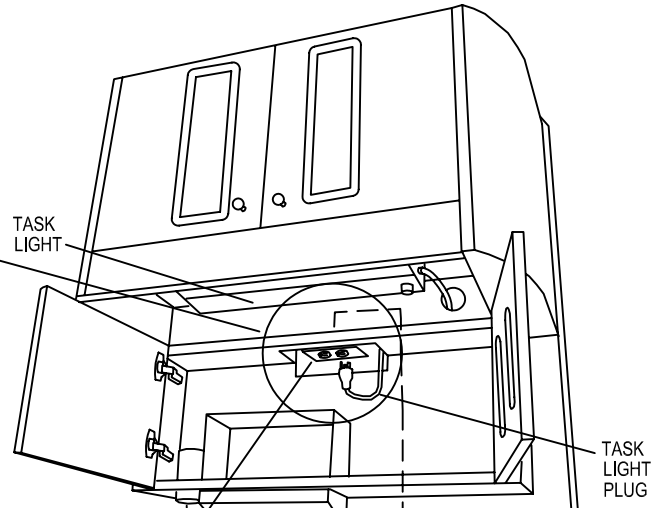
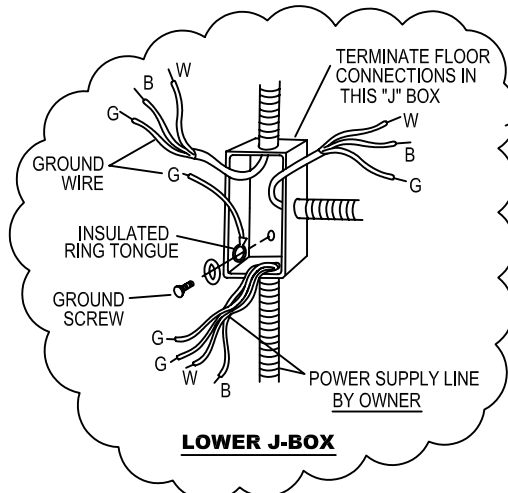
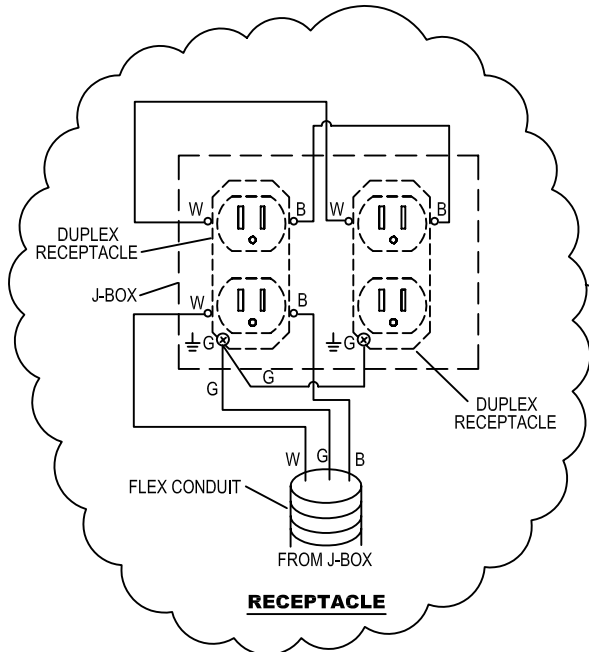
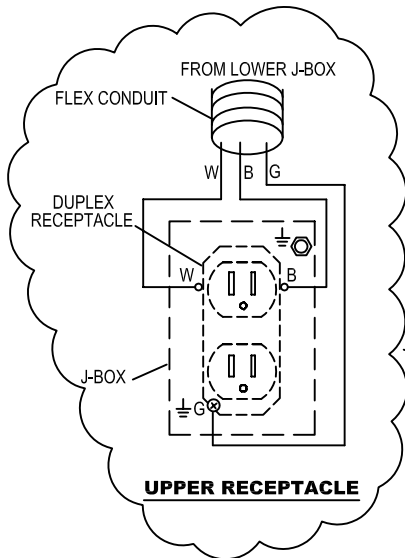
- 1 – Height adjustment: Loosen screws **B** slightly. Adjust screw **A** (adjustment +/- 2mm). Tighten screws **B**.
- 2 - Side adjustment: Loosen screws **B** slightly. Adjust front to required position (adjustment range +/- 1.5mm). Tighten screws **B**.



## D-1 & D-3 ELECTRICAL HOOKUP

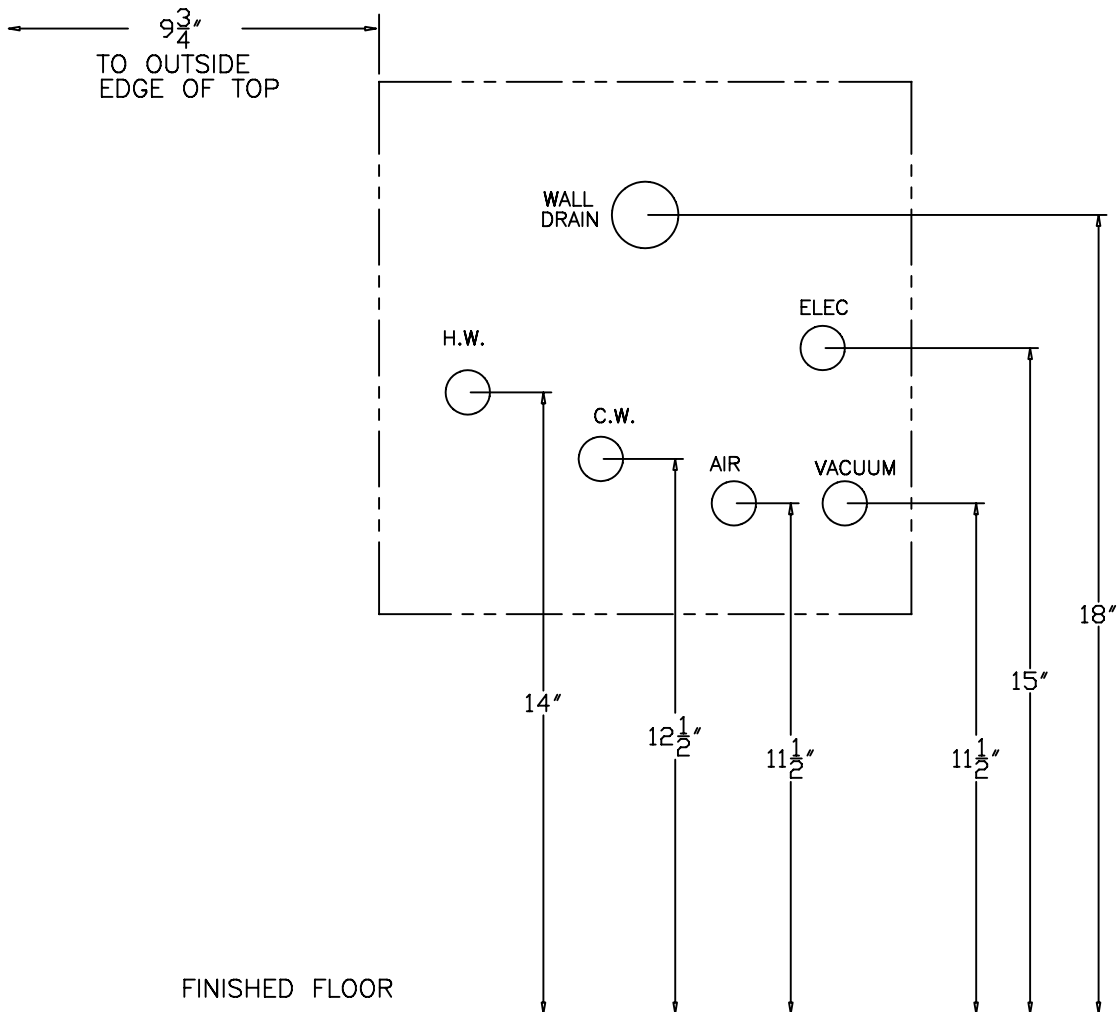
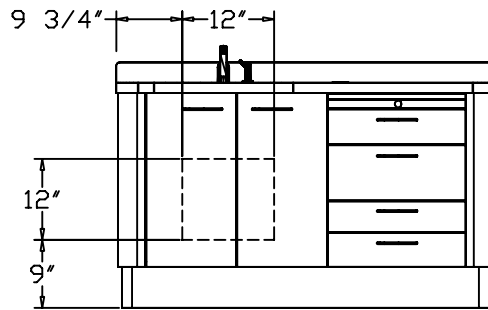


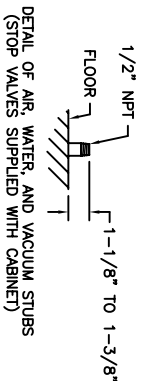
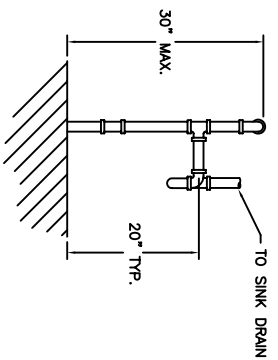
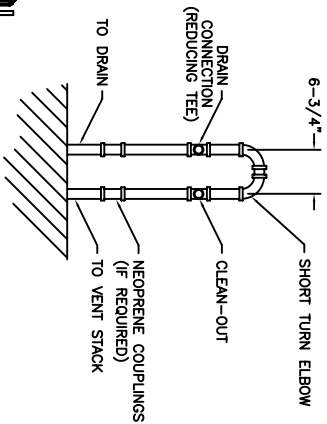
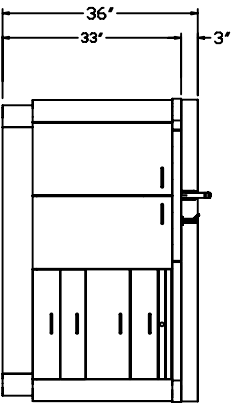
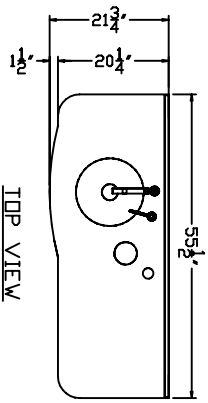
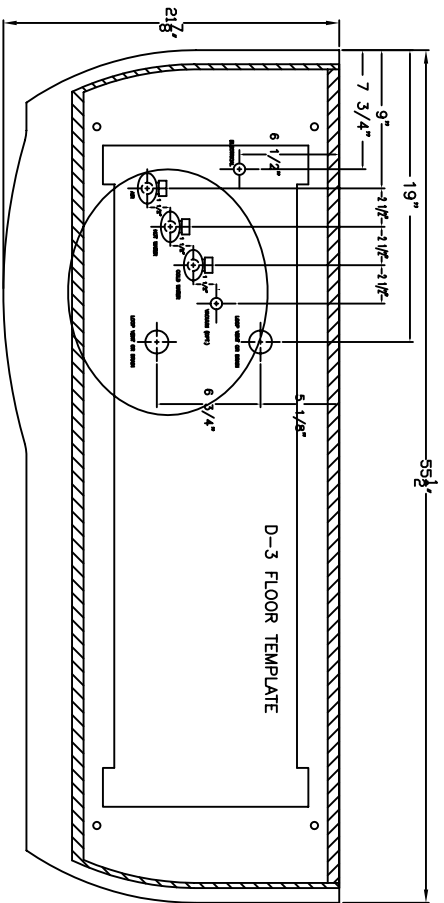
# D-1 OR D-3 WITH D-2 ELECTRICAL HOOKUP



**INTERIOR OF CABINET**

# D-3 WALL TEMPLATE FOR REAR PLUMBING





FRONT VIEW

RIGHT SIDE VIEW

TOP VIEW

NOTE: PLAN AND ELEVATION VIEWS ARE FOR REFERENCE ONLY. SEE INSTALLATION MANUAL FOR DETAILED INFORMATION.

**PLUMBING NOTES**  
 1-1/2" DRAIN SHOWN. SIZE MAY VARY ACCORDING TO LOCAL CODE.  
 IT IS THE RESPONSIBILITY OF THE INSTALLER TO CONFIRM THAT THE INSTALLATION MEETS LOCAL CODE WITH REGARD TO MATERIALS, VENTING, ETC.

KOGEN MANUFACTURING ASSUMES NO RESPONSIBILITY FOR MEASUREMENTS SUBMITTED TO THEM BY OTHERS. ALL ELECTRICAL SOURCES OR CORRECT MEASUREMENTS ON THIS DRAWING ARE THE RESPONSIBILITY OF THE LOCAL CODE REGULATORS. SHOULD BE CHECKED WITH THE ARCHITECT OR PROPER CONTRACTOR BEFORE WORK IS STARTED.

REV.	DATE	DESCRIPTION	BY
		<b>KOGEN MANUFACTURING CO., INC.</b> ST. LOUIS, MISSOURI	
MATERIAL:		TITLE:	
FINISH:		<b>D-3 FLOOR TEMPLATE</b>	
DRAWN:	L. Lichfield	SCALE:	1=1
CHK'D:		DATE:	5/27/2003
DRAWING NO.			P11344

