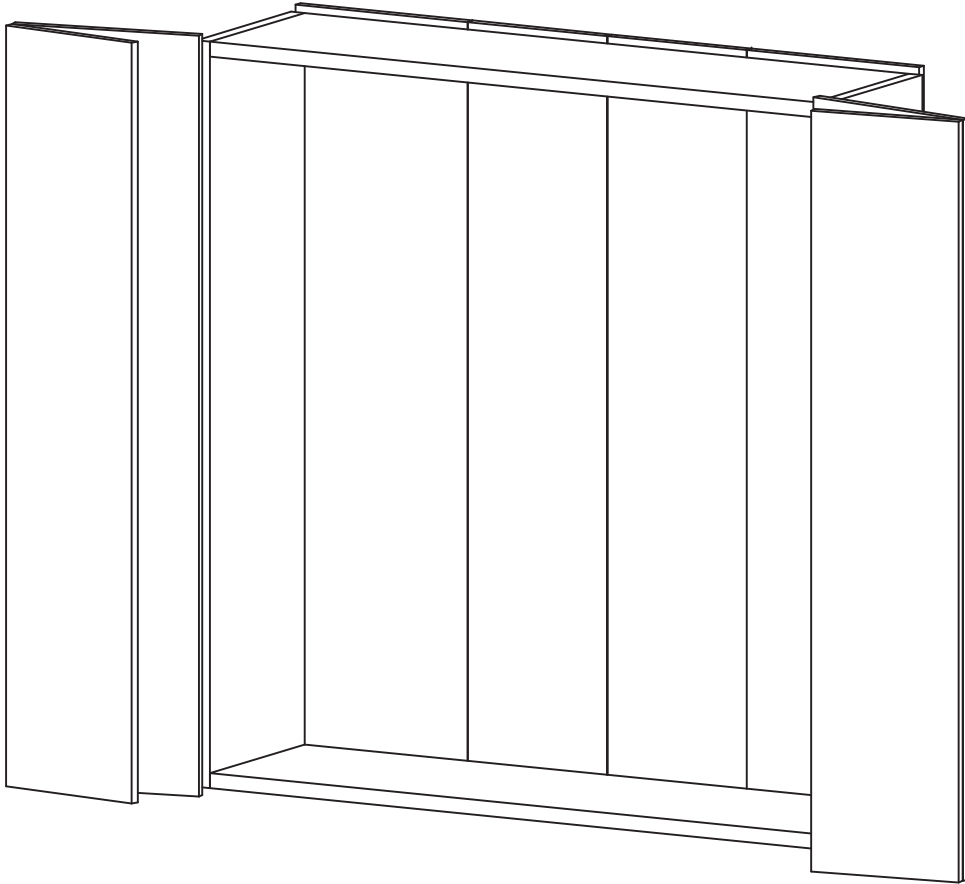


# D-Series Dental Cabinetry System

Installation Manual

Model: D-42/D-50

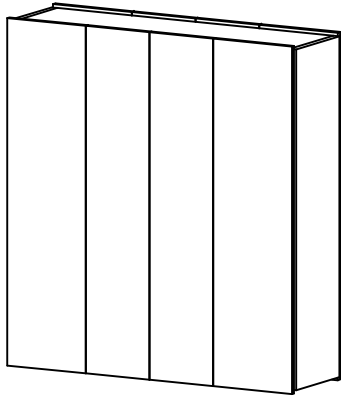


Version: 09012016

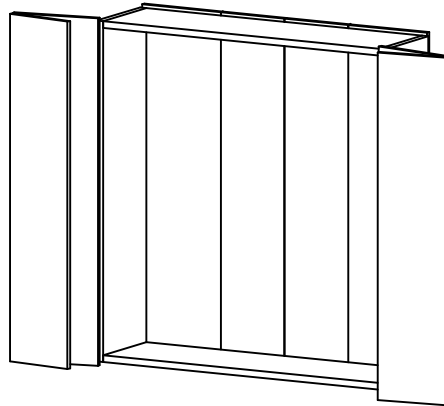


1631 Dr. Martin Luther King Drive  
St. Louis, MO 63106  
(314) 231-7383 1-800-325-7373  
Fax (314) 621-2296  
[www.belmontequip.com](http://www.belmontequip.com)

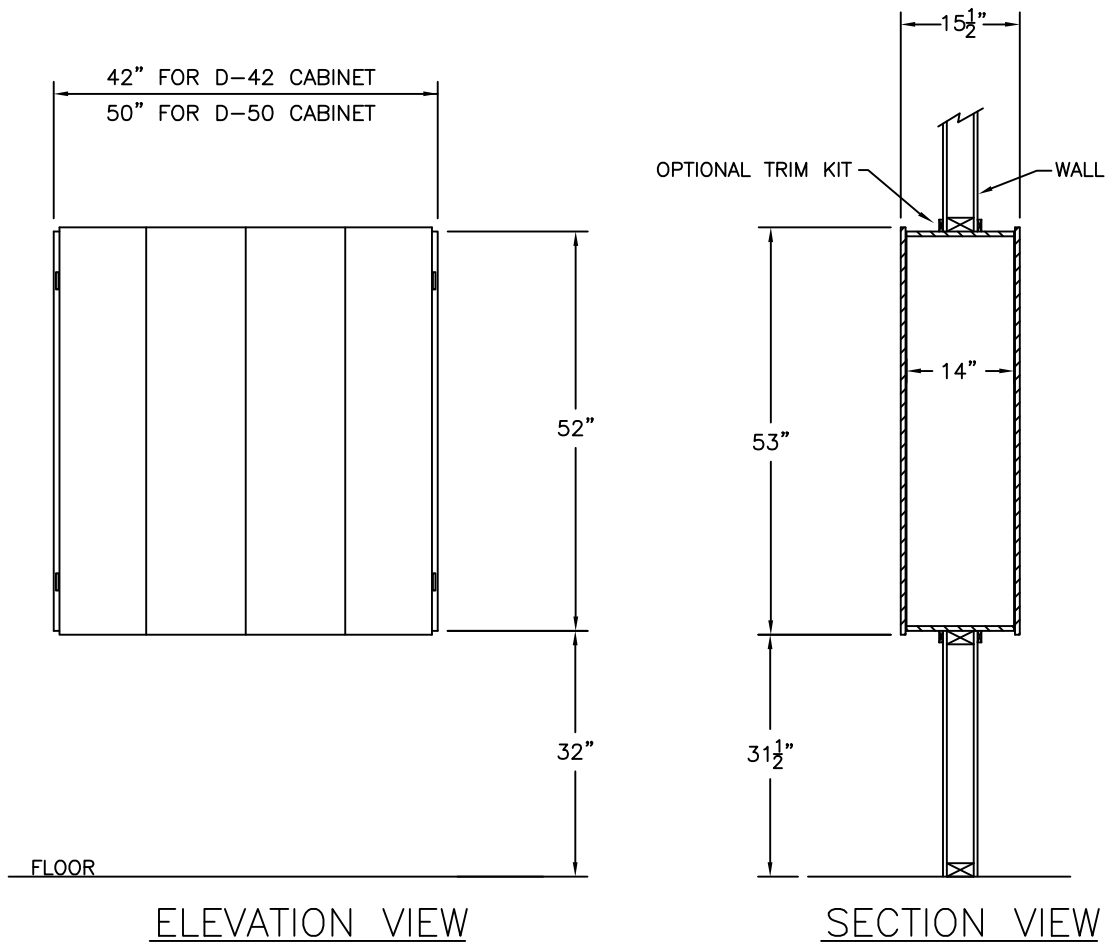
DIMENSIONS FOR D-42 & D-50 PASS-THRU CABINETS



ISOMETRIC VIEW  
DOORS CLOSED

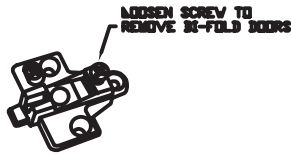


ISOMETRIC VIEW  
DOORS OPEN



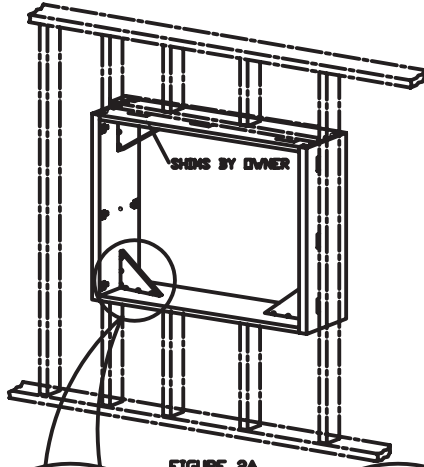
# D-42 & D-50 X-RAY PASS THROUGH CABINET

## INSTALLATION INSTRUCTIONS

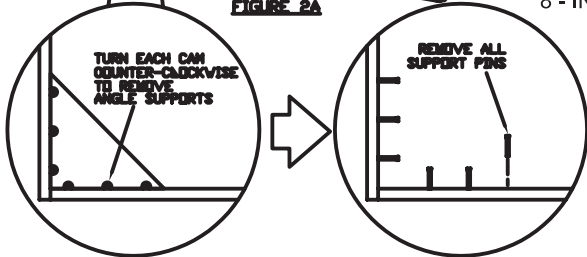


**HINGE BASE PLATE**  
**FIGURE 1**

- 1 - REMOVE PACKING MATERIALS FROM THE X-RAY PASS THROUGH CABINET AND LOOSEN SCREW ON HINGE BASE PLATE TO REMOVE ALL BI-FOLD DOORS (SEE FIGURE 1).
- 2 - PLACE THE D-42/D-50 CABINET INTO THE ROUGH CUT OUT OPENING IN WALL. (SEE ROUGH-IN DIMENSIONS FOR PASS THRU X-RAY CABINET) SHIMMING ANY OPEN GAPS AT THIS TIME. IMPORTANT: BE SURE THE CABINET IS LEVEL AND SQUARE (SEE FIGURE 2A). TURNING A SCREWDRIVER COUNTER-CLOCKWISE, REMOVE ALL (4) ANGLE SUPPORTS (SEE FIGURE 2B). ANGLE SUPPORTS CAN BE DISCARDED ONCE REMOVED. NEXT, REMOVE ALL SUPPORT PINS (SEE FIGURE 2C).
- 3 - DRILL 3/16" DIA HOLES THRU THE FRAME AND SECURE TO WALL STUDS USING (APPROX 12) #8 x 2 1/2" FH SCREWS WITH PLASTIC CAP AND LINKS (SEE FIGURE 3). NOTE: USE SOME SUPPORT PIN HOLES TO SECURE CABINET.
- 4 - ATTACH X-RAY MOUNTING BRACKET ON SIDE OF FRAME (SEE MOUNTING BRACKET HOLE PATTERN AND X-RAY MOUNTING INSTALLATION).
- 5 - ATTACH TRIM KIT (OPTION #90-850) AROUND FRAME USING LIQUID NAILS.
- 6 - RE-INSTALL BI-FOLD DOORS BY SLIDING DOOR CONCEALED HINGES ONTO HINGE BASE PLATE.
- 7 - ADJUST THE CONCEALED HINGE AND BI-FOLD HINGE TO ACHIEVE PROPER DOOR ALIGNMENT (SEE FIGURE 7A, 7B, AND 7C).
- 8 - INSTALLATION COMPLETE

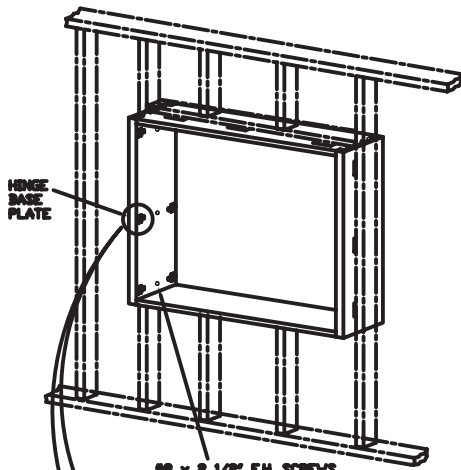


**FIGURE 2A**

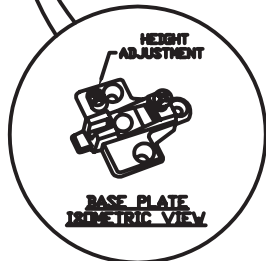


**FIGURE 2B**

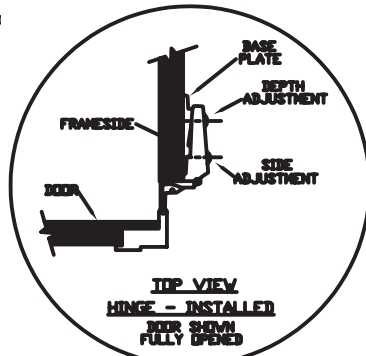
**FIGURE 2C**



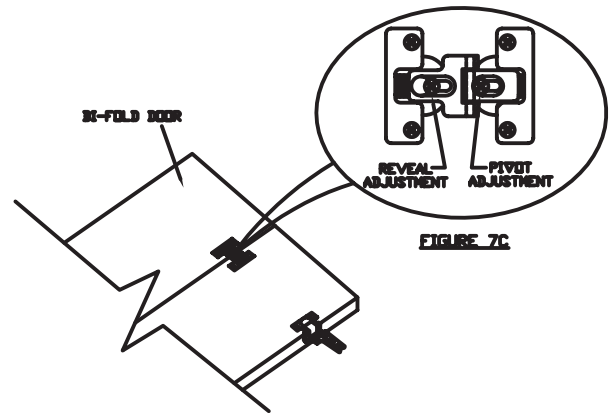
**FIGURE 3**



**FIGURE 7A**



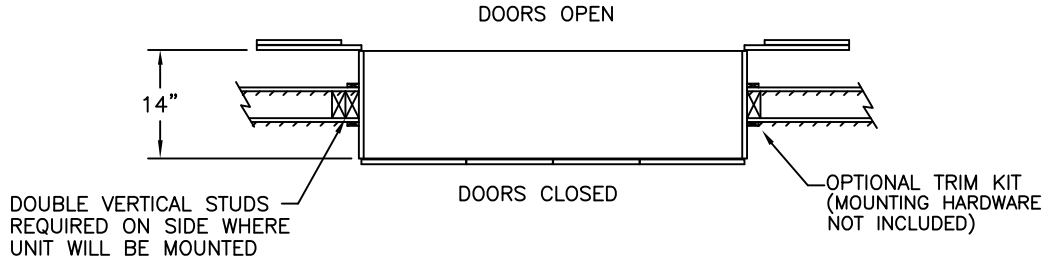
**FIGURE 7B**



**FIGURE 7C**

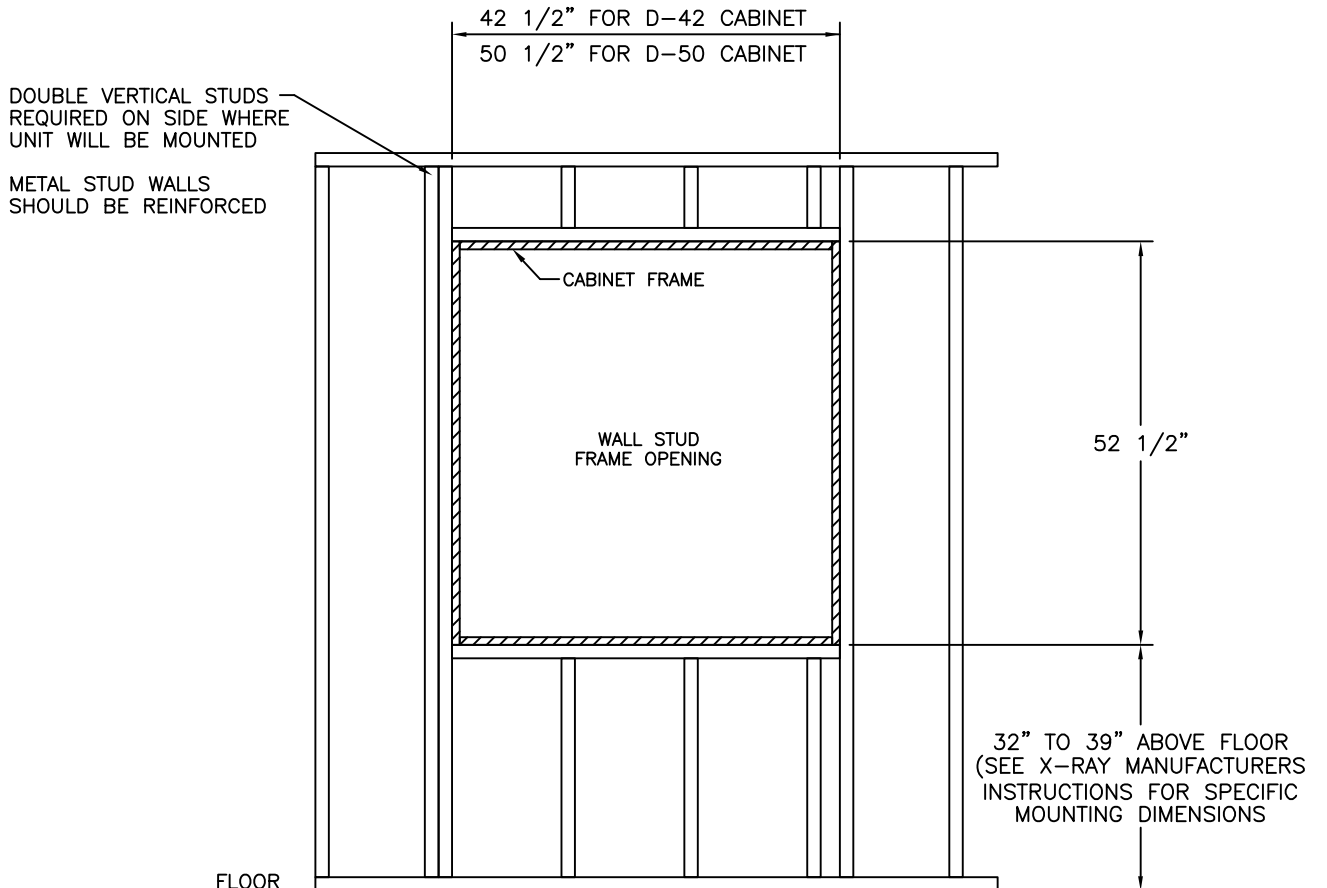
# INSTALLATION DIMENSIONS FOR D-42 & D-50 PASS-THRU CABINETS

RECOMMENDED FRAMING ROUGH-IN DIMENSIONS SHOWN.  
PLEASE MAKE HEIGHT ADJUSTMENTS FROM FLOOR IF ANY CABINETRY OR  
EQUIPMENT IS LOCATED IN FRONT OF D-42/D-50 CABINET (THAT MAY  
INTERFERE WITH THE D-42/D-50 DOORS OPENING).



NOTE: METAL STUD WALLS  
SHOULD BE REINFORCED

PLAN VIEW



ELEVATION VIEW

# Surface Cleaning

Ortho-Sys. ECO-Sys, D-Series, & E-Series

## Belmont Recommends:

- *Countertop Magic*® for Laminate and Solid Surface Work Surfaces
- *Stone Clean and Polish Magic*® for Cambria Quartz Work Surfaces
- *Cabinet and Wood Magic*® for Laminate and Melamine Surfaces
- *Stainless Steel Magic*® for Stainless Steel Surfaces

Products available at Lowes®, Home Depot®, or @ [www.magicamerican.com](http://www.magicamerican.com)

## Laminate/Melamine Surfaces

Clean surfaces with a damp cloth or sponge with a mild soap.

Stains may be removed with most non-abrasive household cleaners such as Formula 409®, Fantastik®, Glass Plus®, or Windex with Ammonia D®.

For tough stains, use a paste of baking soda and water and apply with a soft bristled brush. Although baking soda is a low abrasive, excessive scrubbing or exerting too much force may damage the decorative surface.

Many commercially available products contain substances that may damage or discolor the decorative surface. **Do not** use abrasive cleaners such as toilet bowl cleaners, hydrogen peroxide, oven cleaners, drain cleaners, metal cleaners and polishes, chlorine bleach, coffee pot cleaners, hard water stain removers, fruit and berry juice, tub and tile cleaners, or equivalent.

## LG HI-MACS® Solid Surface Tops

Clean surfaces with a damp cloth or sponge with a mild soap.

Stains can easily be removed using a domestic all-purpose cleaner or for tough stains use a bleaching agent (**do not leave in contact with the work surface for more than five minutes**) and rinse with clean water.

Avoid using cleaning agents that contain acids, such as methyl chloride or acetone. Should one of these products accidentally come into contact with the material, as a precautionary measure, rinse the surface with soapy water to prevent any discoloring taking place.

For additional care/maintenance, visit: [www.lghausys.com](http://www.lghausys.com)

## Cambria® Quartz Work Surfaces

Clean surfaces with a damp cloth or sponge with a mild soap.

**Do not** use abrasive, strong alkaline, acid, free radicals, or oxidized cleaners (whether high, neutral or low pH). **Do not** use products such as bleach, oven cleaners, Comet®, Soft Scrub®, SOS®, products with pumice, batteries, paint removers, furniture strippers, or tarnish/silver cleaners. **Do not** use abrasive or harsh scrub pads. **Do not** apply sealers, penetrants or topical treatments, as such products will wear off and cause the gloss to appear dull or inconsistent.

For additional care/maintenance, visit: [www.cambriausa.com](http://www.cambriausa.com)