

EVOGUE  
PARTS LIST



# TABLE OF CONTENTS

	PAGE
1. DOCTOR TABLE SECTION, TRADITIONAL CHAIR MOUNTED DELIVERY STYLE (AU-HV3070DX)(AU-HV3000D/3010D)	
1-1 . DOCTOR TABLE -----	6
1-2 . HOLDER -----	8
1-3 . AUTO SELECT VALVE -----	10
1-4 . AIR MANIFOLD 8P -----	12
1-5 . AIR MANIFOLD -----	12
2. DOCTOR TABLE SECTION, CONTINENTAL CHAIR MOUNTED DELIVERY STYLE (AU-HV3080DX)(AU-HV3020D)	
2-1 . COVER PARTS -----	14
2-2 . ROD ARM PARTS -----	16
2-3 . TABLE ASSY. -----	16
2-4 . TABLE INTERNAL PARTS -----	18
2-5 . ROD STRUCTURE PARTS -----	20
2-6 . CONTROL PARTS -----	22
2-7 . ROD COMPONENT -----	24
2-8 . ROD ADDITIONAL HP -----	26
2-9 . SUB TRAY PARTS -----	28
2-10 . TABLE INTERNAL PARTS -----	30
3. BALANCE ARM	
3-1 . BALANCE ARM FOR TRADITIONAL CHAIR MOUNTED DELIVERY STYLE -----	32
3-2 . BALANCE ARM FOR CONTINENTAL CHAIR MOUNTED DELIVERY STYLE-----	34
4. SWING ARMS FOR Q5000/Q5500/Q3300	
4-1 . DR. SWING ARM & LIGHT SWING ARM ASSY. (AU-HV3370SQ) -----	36
4-2 . DR. SWING ARM (AU-HV3375SQ) -----	38
4-3 . LIGHT SWING ARM (AU-HV3330SQ) -----	40
4-4 . MONITOR SWING ARM (AU-HV3390MS) -----	42
5. SWING ARMS FOR X-CALIBUR V	
5-1 . DR. SWING ARM & LIGHT SWING ARM ASSY. (AU-HV3270SX) -----	44
5-2 . DR. SWING ARM (AU-HV3275SX) -----	46

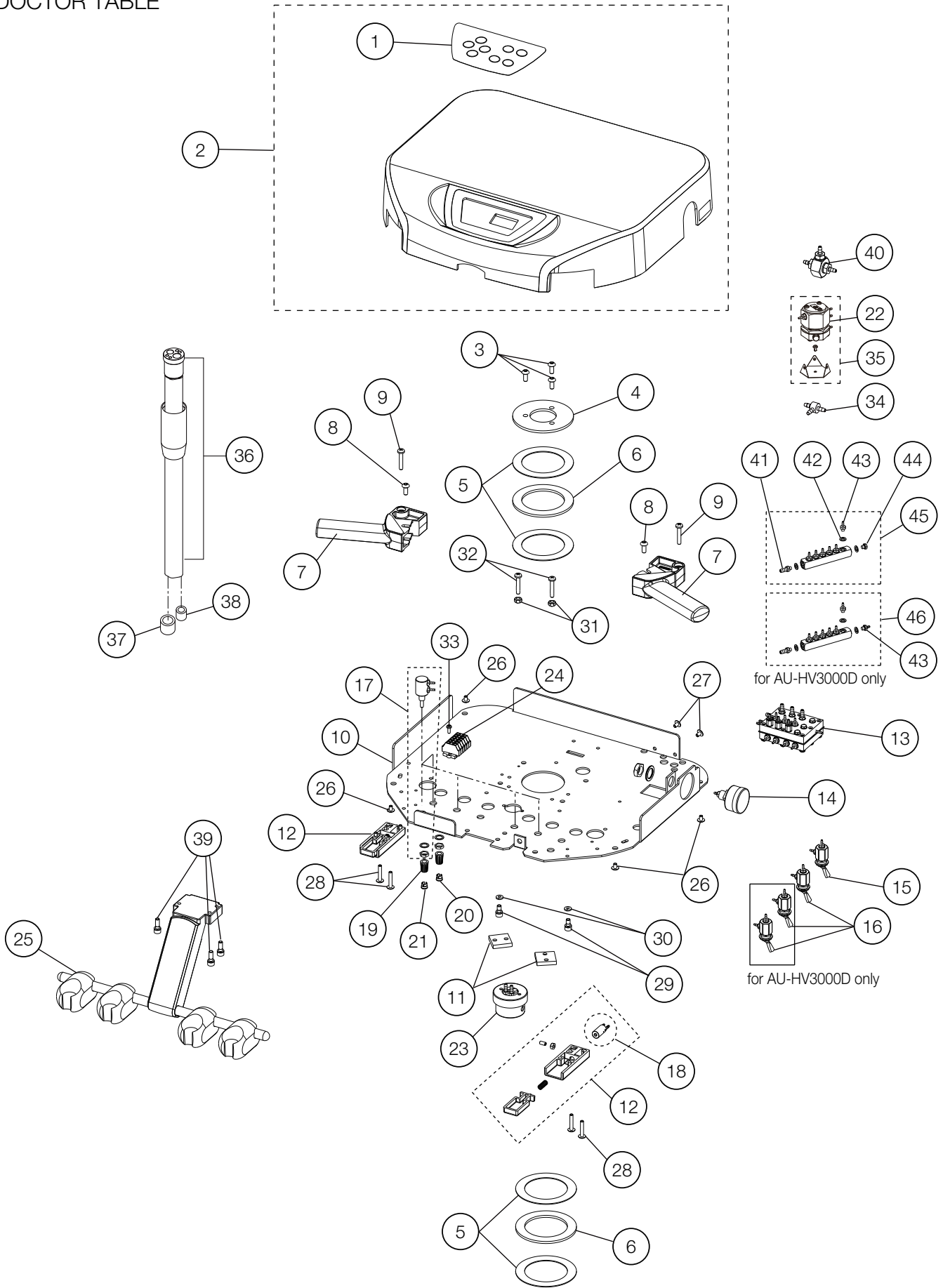
# TABLE OF CONTENTS

	PAGE
5-3 . LIGHT SWING ARM (AU-HV3230SX) -----	48
5-4 . MONITOR SWING ARM (AU-HV3290MSX) -----	50
5-5 . MONITOR SWING ARM W/O BRACKET (AU-HV3289MSX) -----	50
6. ASSISTANT INSTRUMENT VAC PAC, SWING TYPE	
6-1 . VAC PACS (AU-HV3410/3400/3401W) -----	52
7. PMU	
7-1 . PMU ASSY. 1 -----	54
7-2 . PMU ASSY. 2 -----	56
7-3 . PMU BOWL ASSY. -----	58
7-4 . FRONT COVER -----	60
7-5 . PMU ASSISTANT -----	62
8. CURVED LIGHT POST ASSY. AND MONITOR BRACKET FOR PMU	
8-1 . LIGHT POST ASSY. (AU-HV3908) -----	64
8-2 . MONITOR BRACKET -----	66
9. PMU CHAIR MOUNTING BRACKET	
9-1 . PMU CHAIR BRACKET FOR Q5000/Q5500/Q3300 (AU-HV3902) -----	68
9-2 . PMU CHAIR BRACKET FOR PRO II (AU-HV3901) -----	70
9-3 . PMU CHAIR BRACKET FOR X-CALIBUR V / PRO III (AU-HV3901N) -----	70
10. JUNCTION BOX FOR Q5000/Q5500/Q3300 (AU-HV3950/3950Q)-----	72
11. AIR ACTIVATED POWER SUPPLY BOX FOR MOTOR/SCALER/F.O.	
11-1 . POWER SUPPLY BOX FOR DR. TABLE ACCESSORIES (AU-HV3808)-----	74
11-2 . OLD STYLE POWER SUPPLY BOX FOR DR. TABLE ACCESSORIES (AU-HV3807) -----	76
12. CABINET MOUNTED SIDE DELIVERY (AU-HV3055D)	
12-1 . SIDE DELIVERY -----	78
12-2 . DOCTOR TABLE -----	80
12-3 . BALANCE ARM -----	82
12-4 MOUNTING BRACKET -----	84
12-5 WATER BOTTLE BRACKET -----	86

# TABLE OF CONTENTS

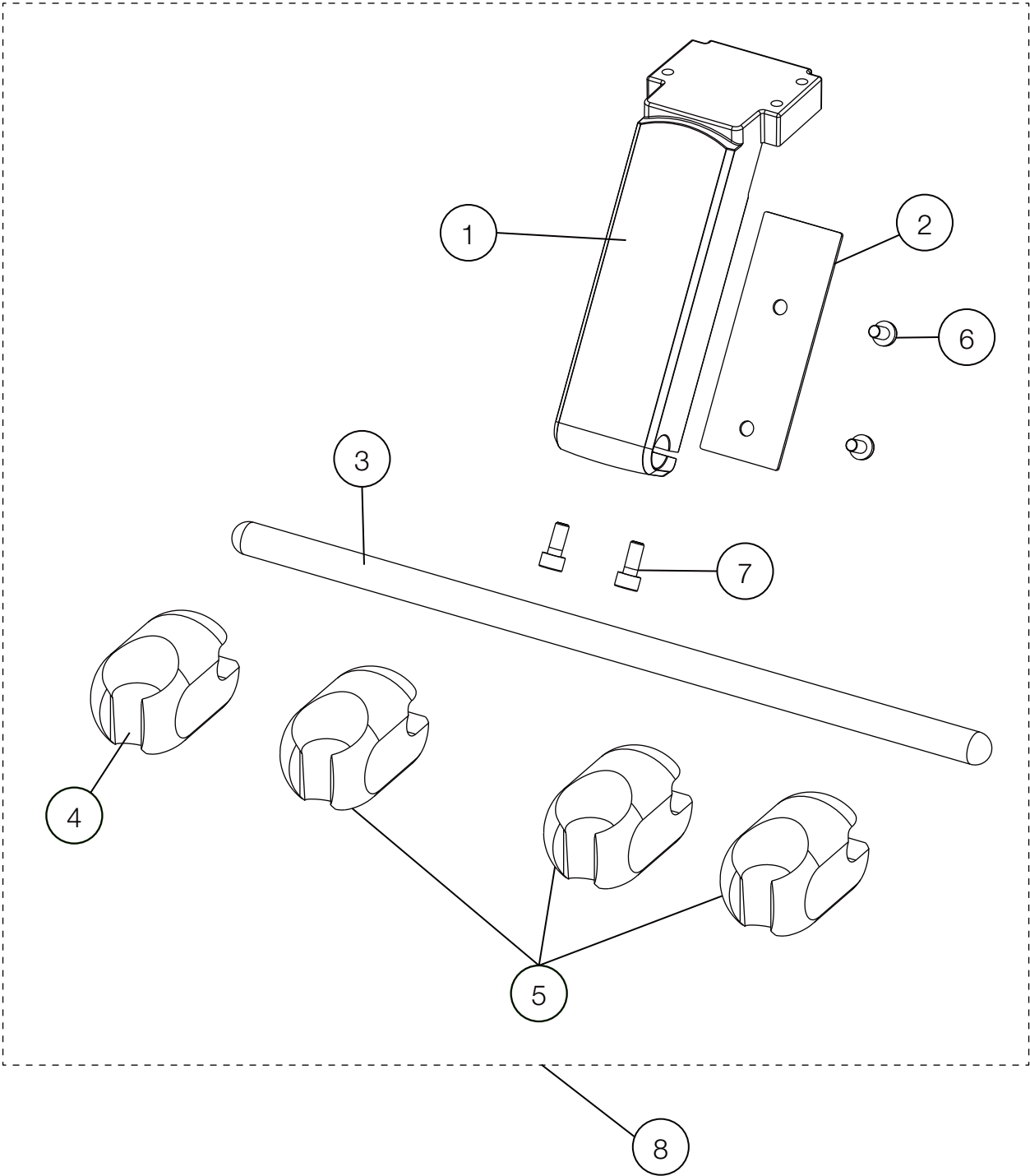
	PAGE
13. CABINET MOUNTED REAR DELIVERY(AU-HV3561/3563)	
13-1 . REAR DELIVERY -----	88
13-2 . DOCTOR TABLE -----	90
13-3 . DOCTOR ARM -----	92
13-4 ASSISTANT ARM -----	92
13-5 VACUUM -----	94
13-6 . MANIFOLD 4P -----	96
13-7 . T-JOINT -----	96
14. CART(AU-HV3600)	
15-1 . CART BASE -----	98
15-2 . DOCTOR TABLE -----	100
15. HANDPIECE -----	102
16. ACCESSORY -----	104
 WIRING DIAGRAM    *Q5500: Quolis Chair (Model Q5500), Q3300: Evogue Chair (Model Q3300), Q5000: Quolis 5000 Chair (Model Q5000)	
1 . AU-HV3808 SWING MOUNTED DELIVERY SYSTEM WITH X-CALIBUR V / Q5000 / Q5500 / Q3300 -----	106
2 . AU-HV3808 SWING MOUNTED DELIVERY SYSTEM WITH CONTINENTAL TYPE X-CALIBUR V / Q5000 / Q5500 / Q3300 -----	107
3 . AU-HV3808 PMU MOUNTED DELIVERY SYSTEM WITH Q5000 / Q5500 / Q3300 -----	108
4 . AU-HV3808 PMU MOUNTED DELIVERY SYSTEM WITH CONTINENTAL TYPE Q5000 / Q5500 / Q3300 -----	109
5 . AU-HV3808 PMU MOUNTED DELIVERY SYSTEM WITH X-CALIBUR V -----	110
6 . AU-HV3808 PMU MOUNTED DELIVERY SYSTEM WITH CONTINENTAL TYPE X-CALIBUR V -----	111
7 . AU-HV3808 SIDE DELIVERY SYSTEM WITH X-CALIBUR V / Q5000 / Q5500 / Q3300 -----	112
8 . AU-HV3808 REAR DELIVERY SYSTEM WITH X-CALIBUR V / Q5000 / Q5500 / Q3300 -----	113
9 . AU-HV3808 CART DELIVERY SYSTEM WITH X-CALIBUR V / Q5000 / Q5500 / Q3300 -----	114
10 . AU-HV3801~3807 PMU MOUNTED DELIVERY SYSTEM WITH Q5000 -----	115
11 . AU-HV3801~3807 PMU MOUNTED DELIVERY SYSTEM WITH X-CALIBUR V -----	116
12 . AU-HV3801~3807 MICROMOTOR -----	117

# DOCTOR TABLE



NO.	PARTS NO.	DESCRIPTION	QTY	APPLICABLE SERIAL NO.	NOTE
1	1A0GNHA0	MEMBRANE SWITCH	1		
2	1P0458A0	TABLE TOP W/MEMBRANE SWITCH	1		
3	ZSA11NSU	HEX BUTTON HEAD SCREW M5X12 SUS	3		
4	AAFT80A0	TABLE FIXING WASHER	1		
5	AFFR96A0	THRUST WASHER (AS-1111)	4		
6	AFFR95A0	THRUST BEARING (AXK1111)	2		
7	1A0GNBAV	TABLE HANDLE	2		
8	ZA114NNU	TRUSS M5X6 SUS	2		
9	ZA887NXY	PAN HEAD SEMS SCREW 2P M5X22 CHROME	2		
10	1A0GN4AV	V TABLE CHASSIS	1		
11	AAFT74A0	TABLE ROTATION BRAKE	2		
12	1P045AA0	AIR BRAKE ASSEMBLY	2		
13	1P053SA0	AUTO SELECT VALVE ASSEMBLY FOR 3 HP TUBINGS (EXCEPT FOR SYRINGE)	1		
	1P04DYA0	AUTO SELECT VALVE ASSEMBLY FOR 4 HP TUBINGS (EXCEPT FOR SYRINGE)			
14	1P04AXA0	PRESSURE GAUGE ASSEMBLY	1		
15	1P06GNA0	TOGGLE VALVE ASSEMBLY (MAIN SWITCH)	1		
16	1P06GMA0	TOGGLE VALVE ASSEMBLY (FLUSHOUT, BOWL FLUSH, CUPFILLER)	1,3		
17	1P04AYA0	NEEDLE VALVE ASSEMBLY (WATER)	5		
18	1P04AUA0	PILOT VALVE ASSEMBLY (AIR BRAKE)	1		
19	FJLA14A0	NEEDLE VALVE KNOB	6		
20	FJLA15A0	CAP FOR KNOB (BLUE)	4		
21	FJLA16A0	CAP FOR KNOB (YELLOW)	2		
22	1P07FZA0	PULL BACK VALVE	1		
23	1E04R2A0	OIL-MIST SEPARATOR	1		
24	1P057FA0	CAGE CLAMP ASSEMBLY	1		
25	1P04B0A0	HP HOLDER ASSEMBLY	1		
26	ZA114NNU	TRUSS M5X6 SUS	4		
27	ZA114LNU	TRUSS M4X6 SUS	2		
28	ZA111LWU	PAN HEAD SCREW M4X20 SUS	4		
29	ZA761NLG	HEX SOCKET HEAD SCREW M5x5 BLACK	2		
30	ZB511NAU	SPRING WASHER M5	2		
31	ZA812NAY	NUT M5 CHROME	2		
32	ZA887NXY	PAN HEAD SEMS SCREW 2P M5X22 CHROME	2		
33	ZA111JNU	PAN HEAD SCREW M3X6 SUS	1		
34	AFFW91A0	1/16 IN BARB TEE PLATED	3		USA P-N: P1875
35	1P07FYA0	PULL BACK VALVE WITH BRACKET AND RIVET	1		
36	AFFS02A0	HANDPIECE TUBING STRAIGHT 7FT W	3		USA P-N: D432T
37	AFFS14B0	1/4 IN TUBING COLLAR	3		USA P-N: P1062
38	AFFS15B0	1/8 IN TUBING COLLAR	6		USA P-N: P1061
39	ZA761NSU	HEX SOCKET HEAD SCREW M5X12 SUS	3		
40	1P06GPA0	SHUTTLE VALVE ASSEMBLY	1		
41	AFFS05A0	1/8 INX10-32 BARB (PLATED)	1		USA P-N: P1053
42	AFFU48A0	WASHER 10-32(SEAL)	8		USA P-N: P1055
43	AFFS04A0	1/16 INX10-32 BARB (PLATED)	6		USA P-N: P1052
44	AFFU49A0	BRASS HEX PLUG 10-32	1		USA P-N: P1054
45	1P04AVA0	MANIFOLD W/O BOWL	1		
46	1P04AWA0	MANIFOLD W/BOWL	1		

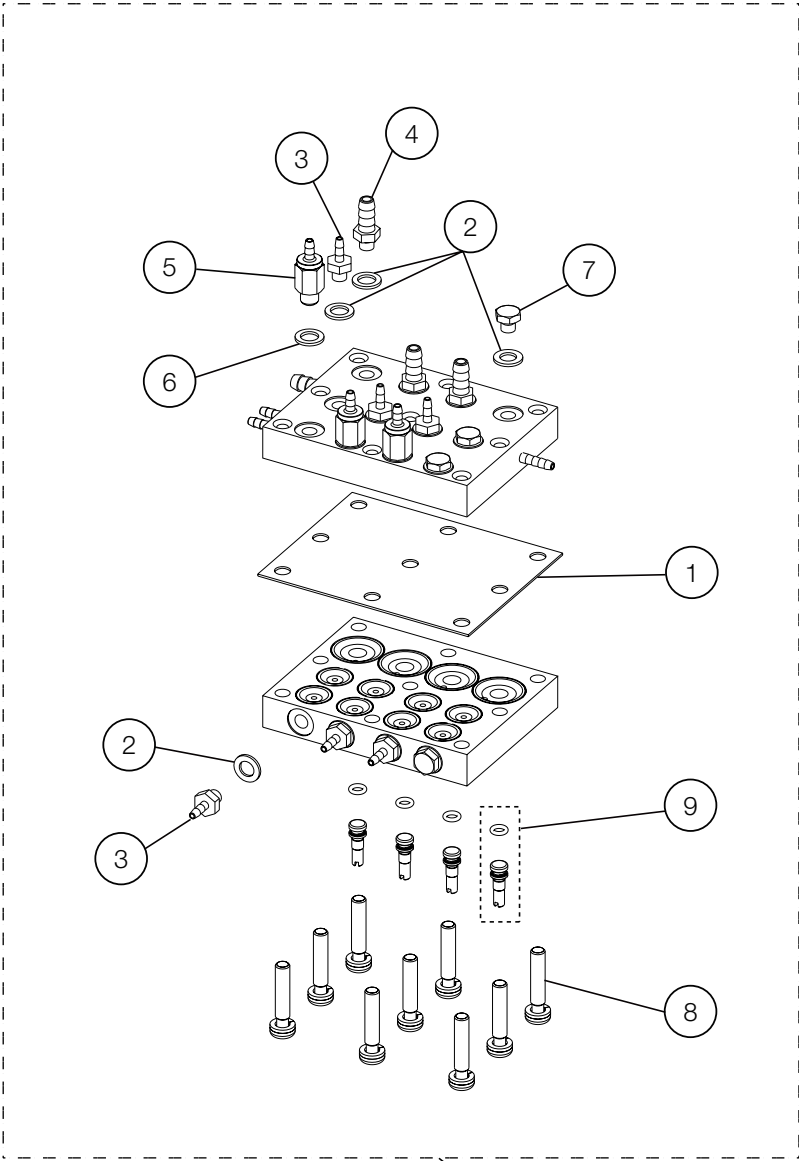
HOLDER





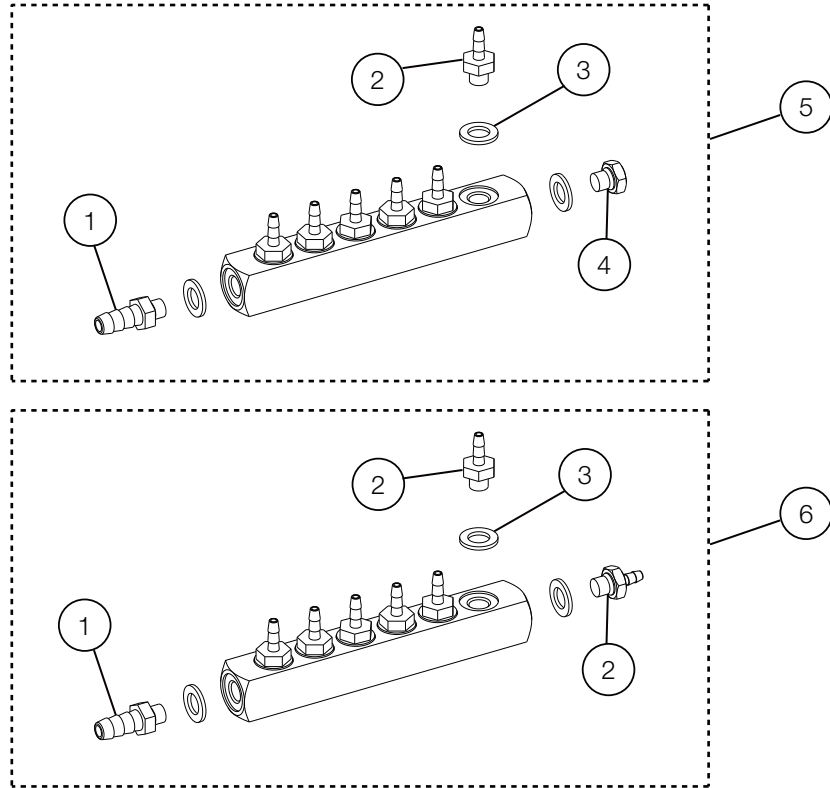
NO.	PARTS NO.	DESCRIPTION	QTY	APPLICABLE SERIAL NO.	NOTE
1	1A0GNEBV	HOLDER BRACKET	1		
2	1A0GN3AV	HOLDER BRACKET COVER	1		
3	1A0GTNA0	HOLDER BAR	1		
4	AFFX37B0	SYRINGE HOLDER	1	VW17H0130	USA P-N: D4579
5	AFFX36B0	HANDPIECE HOLDER	3	VW17H0130	USA P-N: D4578
6	ZA114NNU	TRUSS M5X6 SUS	2		
7	ZA761NSU	HEX SOCKET HEAD SCREW M5X12 SUS	2		
8	1P04B0A0	HP HOLDER ASSEMBLY	1		

AUTO SELECT VALVE

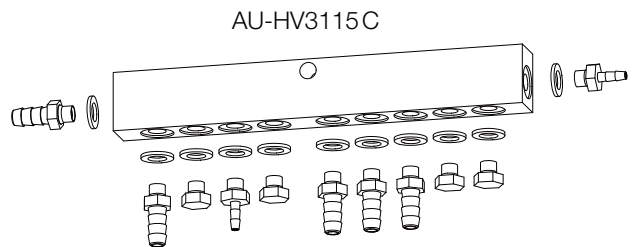
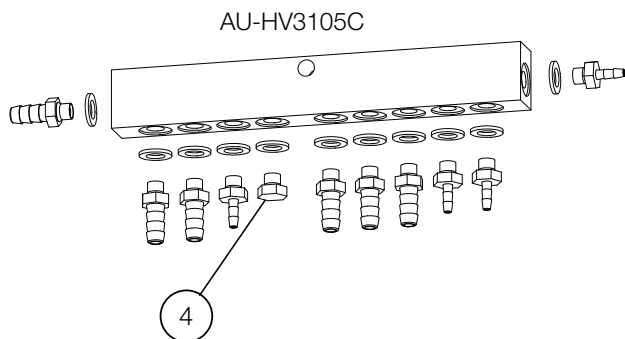
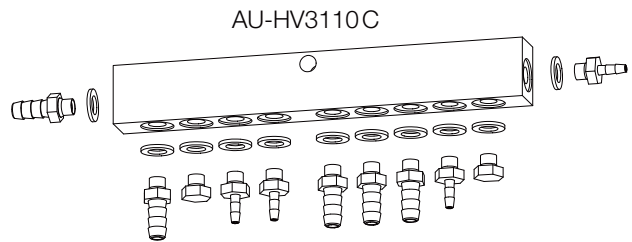
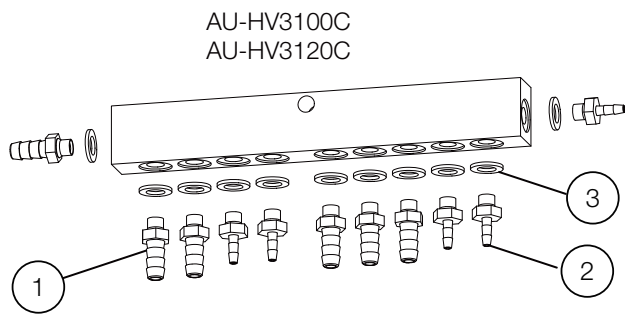


NO.	PARTS NO.	DESCRIPTION	QTY	APPLICABLE SERIAL NO.	NOTE
1	FATA08E0	AUTO-SELECT VALVE DIAPHRAGM (BG)	1	VW150001	
2	AFFU48A0	WASHER 10-32(SEAL)	13		USA P-N: P1055
3	AFFS04A0	1/16 INX10-32 BARB (PLATED)	7		USA P-N: P1052
4	AFFS05A0	1/8 INX10-32 BARB (PLATED)	3		USA P-N: P1053
5	FGMA56D0	CHECK VALVE TYPE-1 M5	3		
6	FALC13A0	JOINT SEAL	3		
7	AFFU49A0	BRASS HEX PLUG 10-32	3		USA P-N: P1054
8	ZA111LWU	PAN HEAD SCREW M4X20 SUS	9		
9	1P06HZA0	DRIVE AIR ADJUSTMENT SCREW	4		
10	1P053SA0	AUTO SELECT VALVE ASSEMBLY FOR 3 HP TUBINGS (EXCEPT FOR SYRINGE)	1		FOR TRADITIONAL DELIVERY
	1P04DYA0	AUTO SELECT VALVE ASSEMBLY FOR 4 HP TUBINGS (EXCEPT FOR SYRINGE)			
	1P07H7A0	AUTO SELECT VALVE ASSEMBLY FOR 3 HP TUBINGS (EXCEPT FOR SYRINGE)			FOR CONTINENTAL DELIVERY
	1P07H8A0	AUTO SELECT VALVE ASSEMBLY FOR 4 HP TUBINGS (EXCEPT FOR SYRINGE)			

AIR MANIFOLD 8P

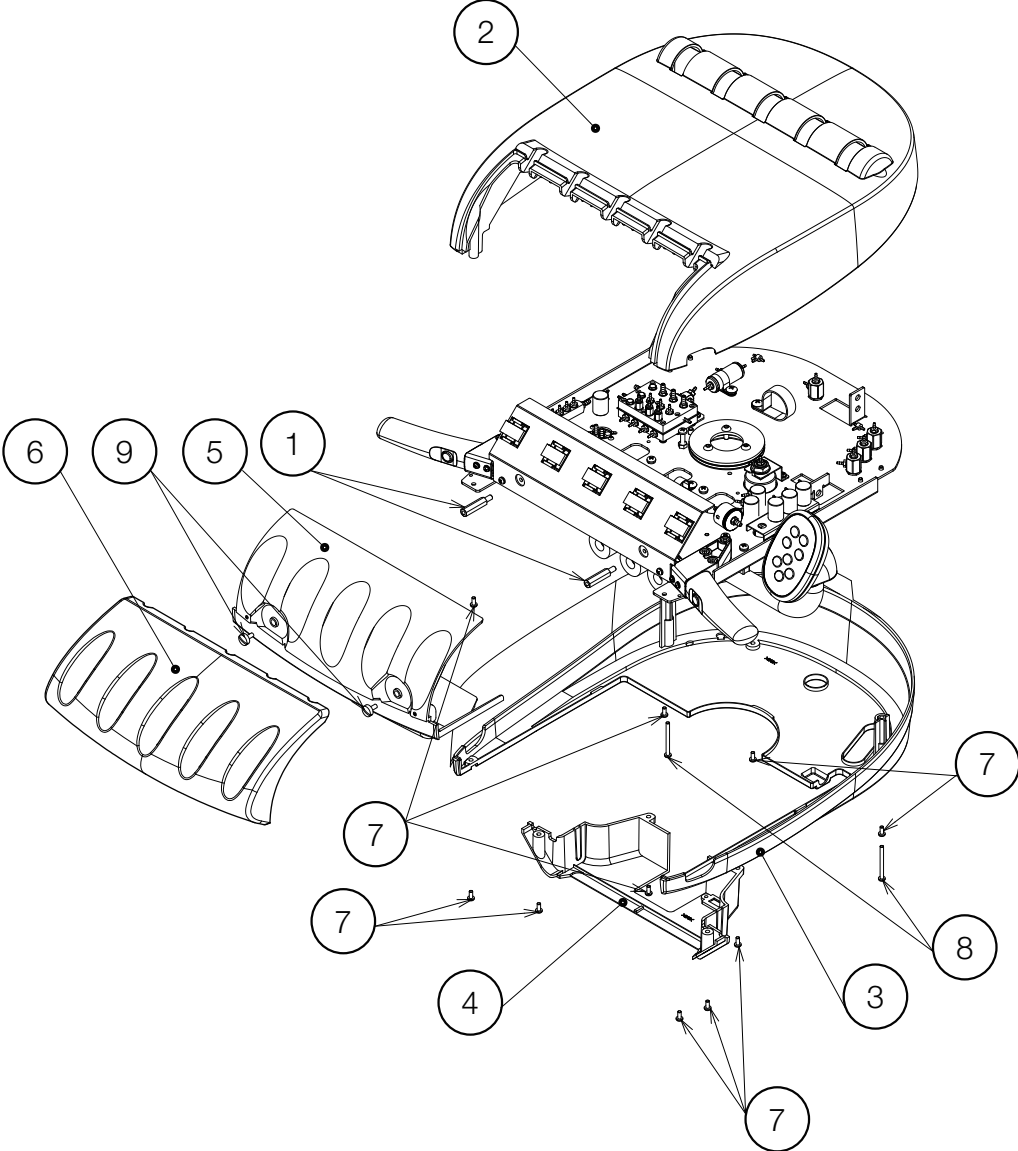


AIR MANIFOLD



NO.	PARTS NO.	DESCRIPTION	QTY	APPLICABLE SERIAL NO.	NOTE
1	AFFS05A0	1/8 INX10-32 BARB (PLATED)	-		USA P-N: P1053
2	AFFS04A0	1/16 INX10-32 BARB (PLATED)	-		USA P-N: P1052
3	AFFU48A0	WASHER 10-32 (SEAL)	-		USA P-N: P1055
4	AFFU49A0	BRASS HEX PLUG 10-32	-		USA P-N: P1054
5	1P04AVA0	MANIFOLD W/O BOWL	1		
6	1P04AWA0	MANIFOLD W/ BOWL	1		

COVER PARTS



NO.	PARTS NO.	DESCRIPTION	QTY	APPLICABLE SERIAL NO.	NOTE
1	1E06CUA0	HEX SPACER BSB-530E	2		
2	1A0MYTB0	ROD TABLE COVER(T) E	1		
3	1A0MYPA0	ROD TABLE COVER(U)	1		
4	1A0MYQA0	ROD HOSE COVER(R)	1		
5	1A0MYRA0	ROD HOSE COVER(F)	1		
6	1A0MYSC0	ROD HP REST	1	VW21C0162	
7	ZA111LPU	PAN HEAD SCREW M4x8 SUS	10		
8	ZA111L2Y	PAN HEAD SCREW M4x40 CHROME	2		
9	AEFY91A0	STRAIGHT SLOT KNURLED HEAD SCREW M5X10	2		

ROD ARM PARTS

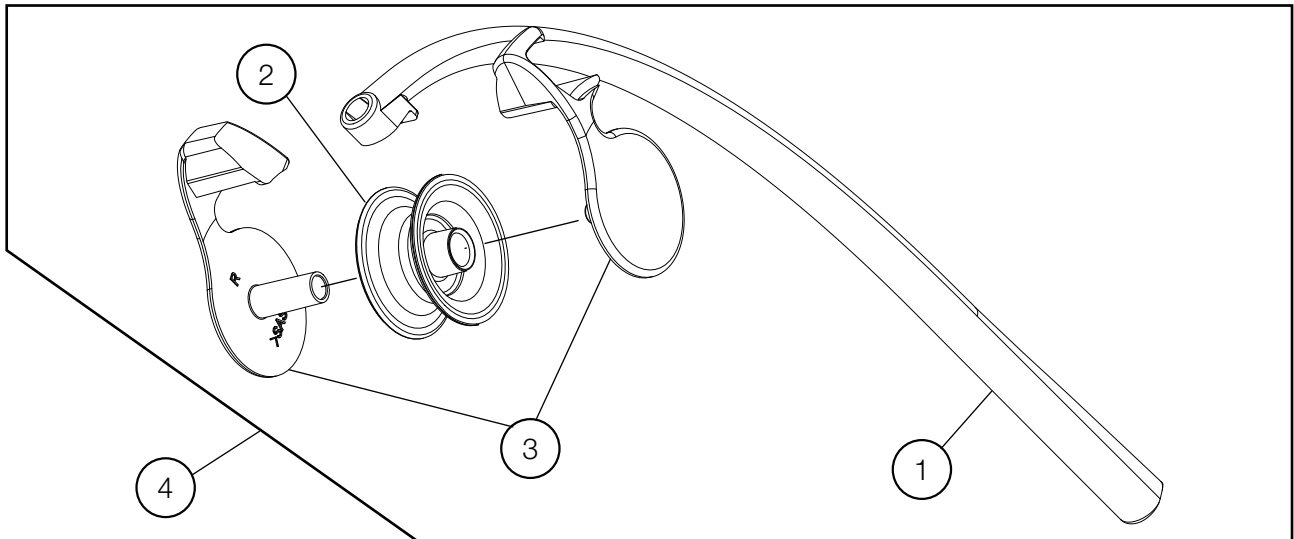
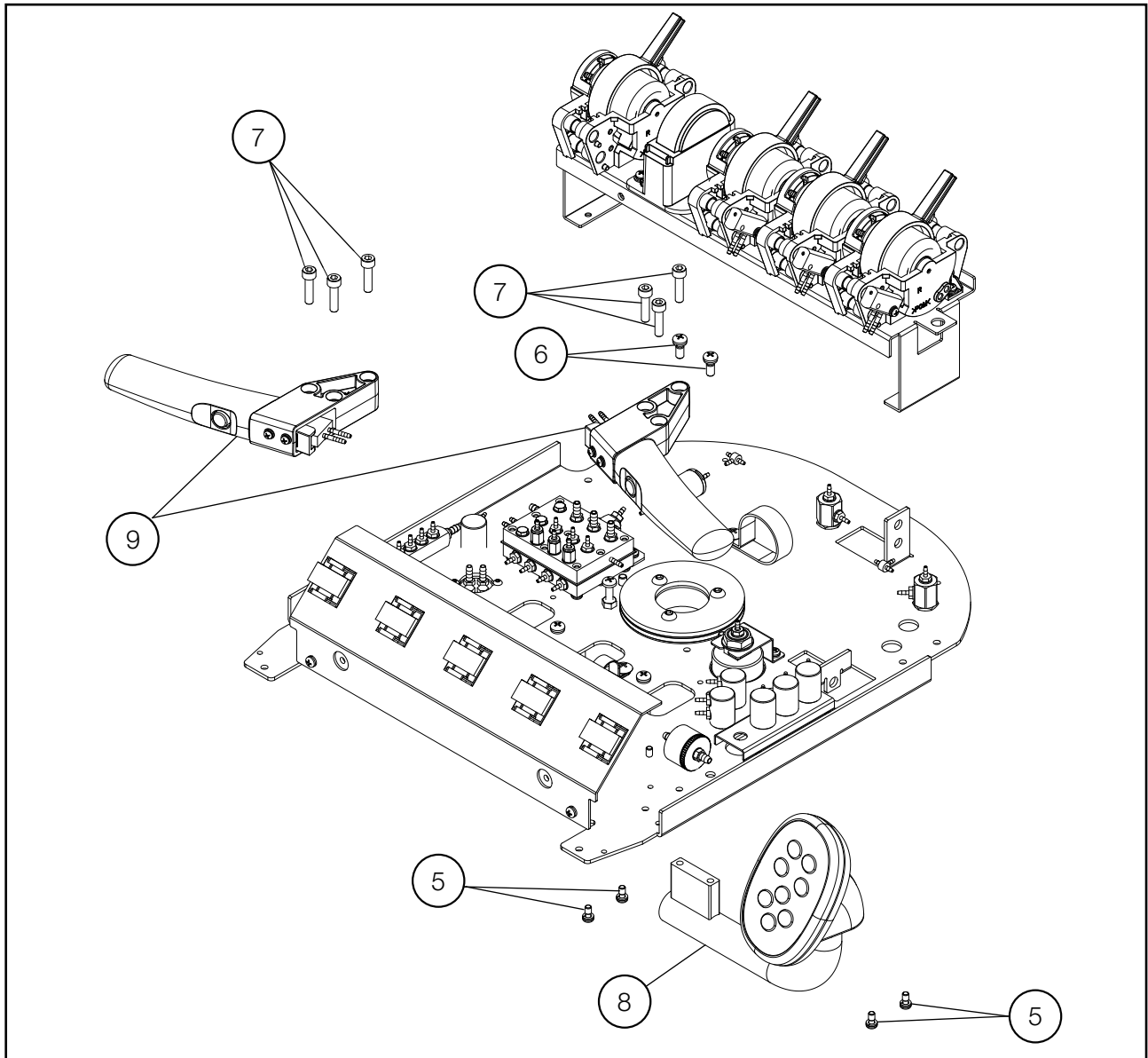


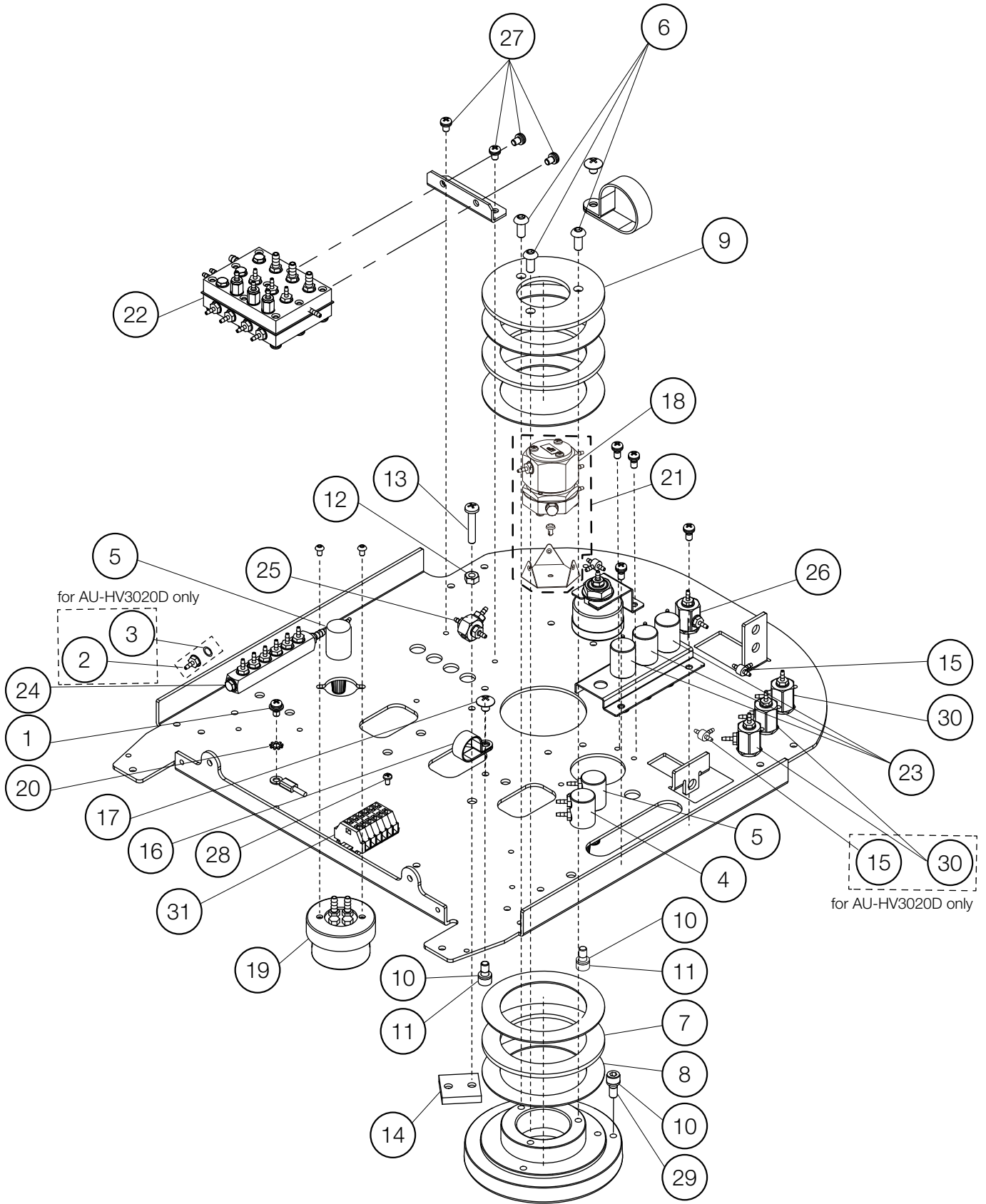
TABLE ASSY.





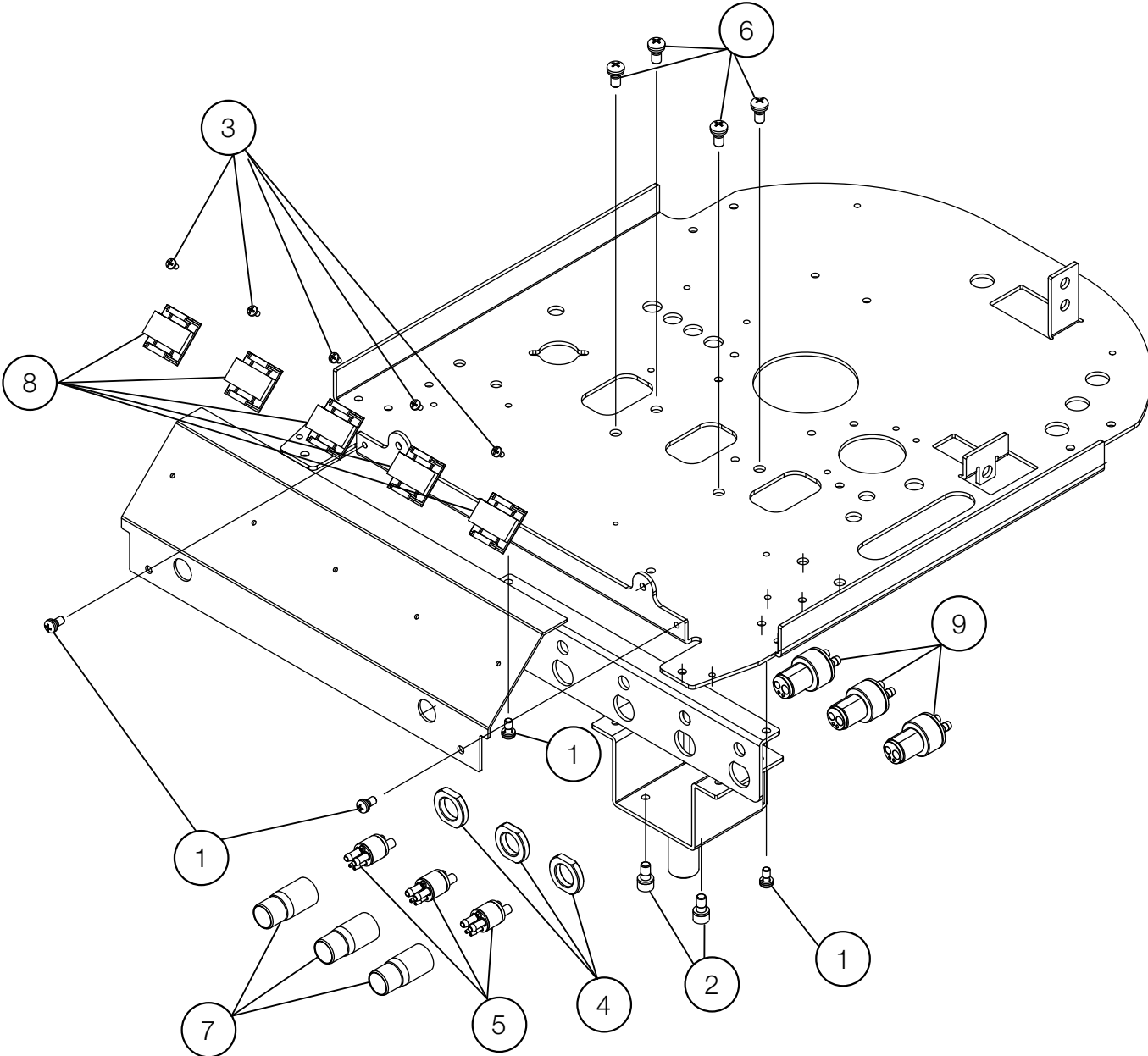
NO.	PARTS NO.	DESCRIPTION	QTY	APPLICABLE SERIAL NO.	NOTE
1	1A0MYXA0	ROD ARM	1		
2	1A0MYXB0	ROD ROLLER	1	VW19D0081	
3	1G0739A0	ROD ROLLER BRACKET SET (L/R)	1		
4	1P05K8A0	ROD ARM PART	1		
5	ZA887LPU	PAN SEMS SCREW 2P M4x8 SUS	4		
6	ZA887NSY	PAN SEMS SCREW 2P M5X12 CHROME	2		
7	ZA761NWX	SOCKET HEAD SCREW M5x20 BLACK	6		
8	1P05KAA0	CONTROL PART ASSEMBLY	1		
9	1P05KBA0	ROD HANDLE PART	2		

# TABLE INTERNAL PARTS



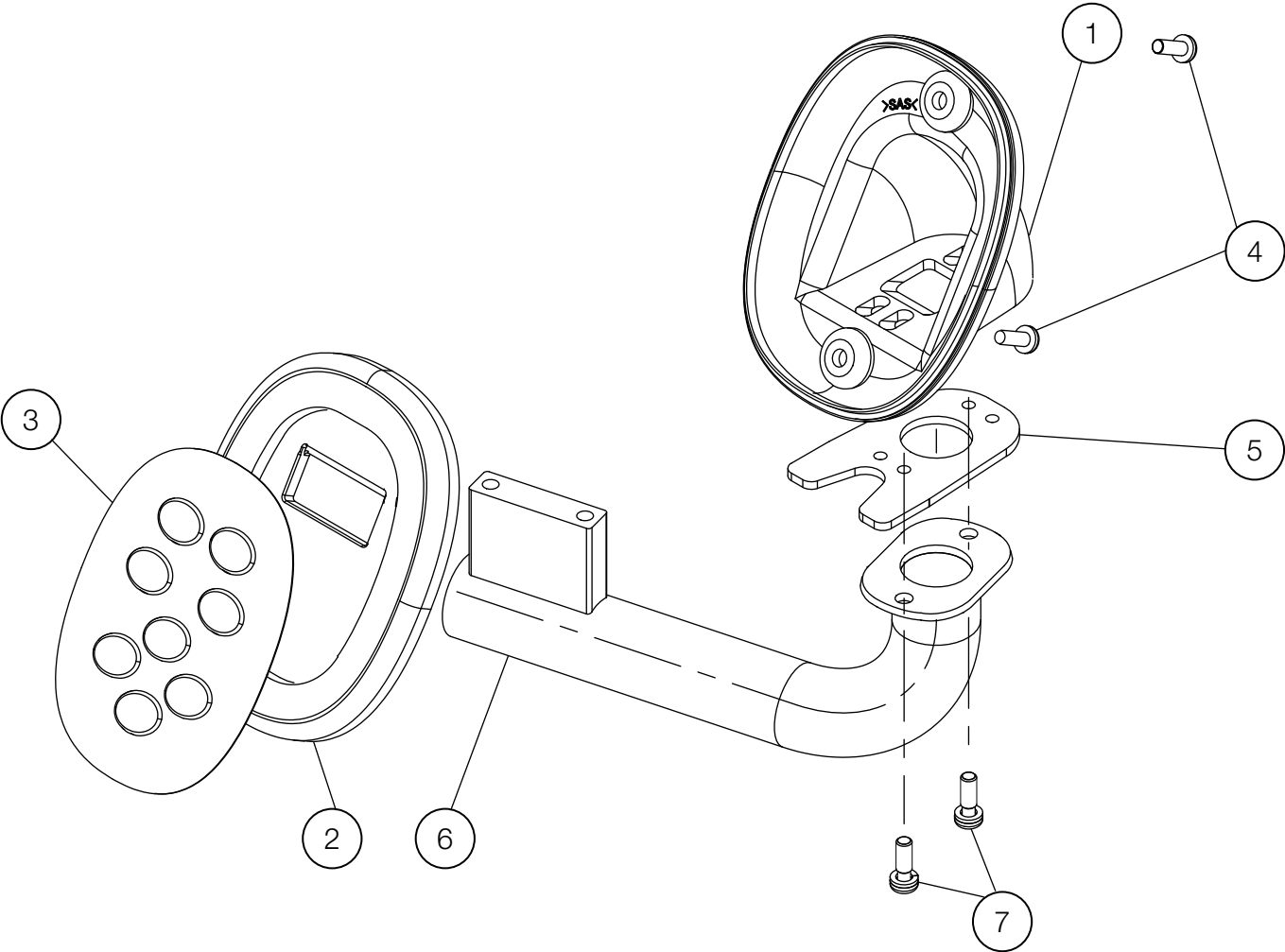
NO.	PARTS NO.	DESCRIPTION	QTY	APPLICABLE SERIAL NO.	NOTE
1	ZA88JLPU	PAN SEMS SCREW 3P M4X8 SUS	1		
2	AFFS04A0	1/16 INX10-32 BARB (PLATED)	1		USA P-N: P1052
3	AFFU48A0	WASHER 10-32 (SEAL)	1		USA P-N: P1055
4	1P053ZA0	NEEDLE VALVE FOR WATER	1		
5	1P0540A0	NEEDLE VALVE FOR AIR	2		
6	ZSA11NSU	HEX BUTTON HEAD SCREW M5X12 SUS	3		
7	AFFR95A0	THRUST BEARING (AXK1111)	2		
8	AFFR96A0	THRUST WASHER (AS-1111)	4		
9	AAFT80A0	TABLE FIXING WASHER	1		
10	ZB511NAU	SPRING WASHER $\phi$ 5 SUS	3		
11	ZA761NLG	HEX SOCKET HEAD SCREW M5x5 BLACK	2		
12	ZA812NAY	NUT M5 CHROME	1		
13	ZA887NXY	PAN HEAD SEMS SCREW 2P M5X22 CHROME	1		
14	AAFT74A0	TABLE ROTATING BRAKE	1		
15	AFFW91A0	1/16 IN BARB TEE PLATED	2		USA P-N: P1875
16	Q-31130	NYLON CLAMP(3330 5/8)	1		
17	ZA114NRU	TRUSS M5X10 SUS	1		
18	1P07FZA0	PULL BACK VALVE	1		
19	1E04R2A0	OIL MIST SEPARATOR	1		
20	ZB552LAU	EXTERNAL TOOTH WASHER M4 SUS	1		
21	1P07FYA0	PULL BACK VALVE WITH BRACKET AND RIVET	1		
22	1P07H7A0	AUTO SELECT VALVE ASSEMBLY FOR 3 HP TUBINGS (EXCEPT FOR SYRINGE)	1		FOR CONTINENTAL DELIVERY
	1P07H8A0	AUTO SELECT VALVE ASSEMBLY FOR 4 HP TUBINGS (EXCEPT FOR SYRINGE)			
23	1P07HLA0	NEEDLE VALVE ASSEMBLY WITH 1.8 BF FOR WATER	3		
24	1P04AVA0	MANIFOLD W/O BOWL	1		
	1P04AWA0	MANIFOLD W/BOWL			
25	1P06GPA0	SHUTTLE VALVE ASSEMBLY	1		
26	1P06HRA0	3V VALVE SWITCH (A)	1		
27	ZA887LPU	PAN SEMS SCREW 2P M4X8 SUS	4		
28	ZA111JNU	PAN HEAD SCREW M3X6 SUS	1		
29	ZA761NPG	HEX SOCKET HEAD SCREW M5X8 BLACK	1		
30	1P06HSA0	3V VALVE SWITCH (M)	1		
31	1P057FA0	CAGE CLAMP ASSEMBLY	1		

ROD STRUCTURE PARTS



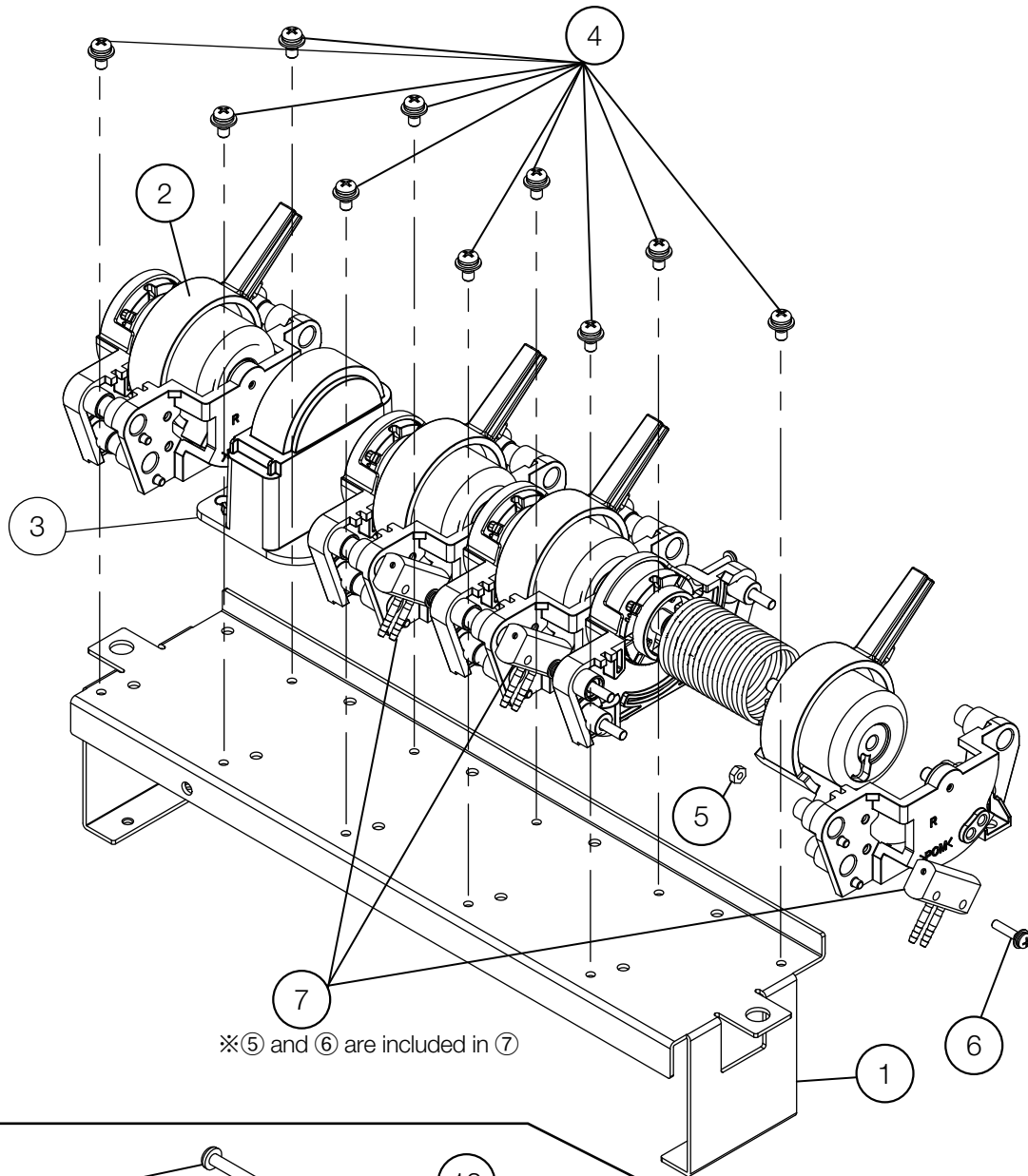
NO.	PARTS NO.	DESCRIPTION	QTY	APPLICABLE SERIAL NO.	NOTE
1	ZA887LPU	PAN SEMS SCREW 2P M4X8 SUS	4		
2	ZA761NLG	HEX SOCKET HEAD SCERW M5x5 BLACK	2		
3	ZA111GLU	PAN SCREW M3X5 SUS	5		
4	1A0K0ECO	CONNECTOR NUT	3		FOR DETACHABLE HOSE
5	1P05KDA0	HP TUBE CONNECT ASSEMBLY	3		FOR DETACHABLE HOSE
6	ZA887NPY	PAN SEMS SCREW 2P M5X8 CHROME	4		
7	1A0LP0A0	4-HOLE HP NUT	3		FOR DETACHABLE HOSE
8	1E06CSA0	ADJUSTABLE CABLE CLIP ARC.68-S6-14	5		
9	1P05KCA0	HP HOSE CONNECT ASSEMBLY	3		FOR DETACHABLE HOSE

CONTROL PARTS

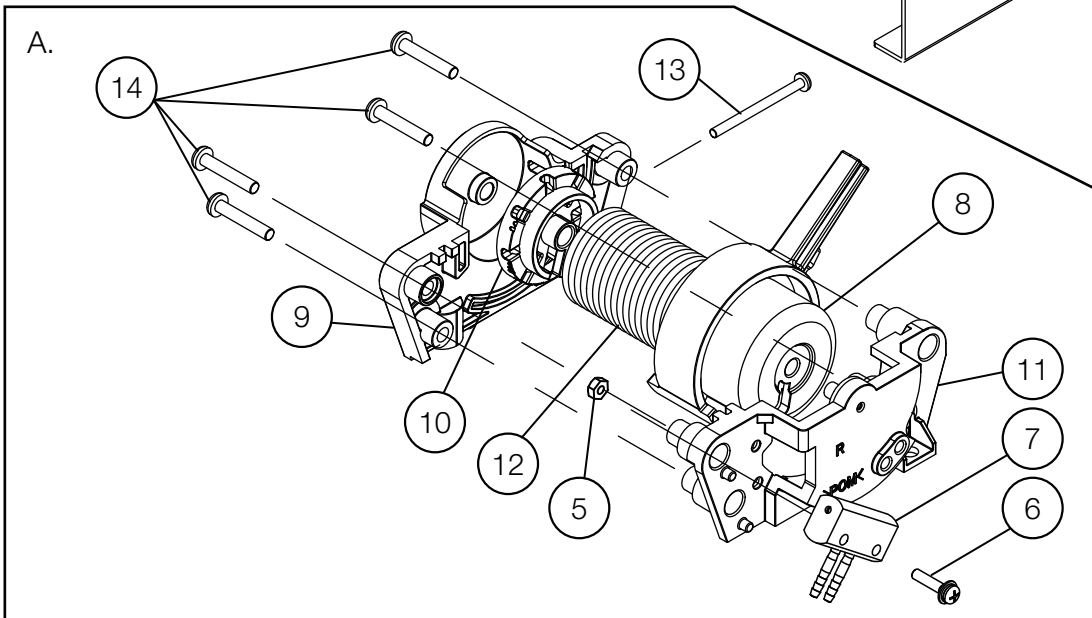


NO.	PARTS NO.	DESCRIPTION	QTY	APPLICABLE SERIAL NO.	NOTE
1	1A0MYWA0	ROD SW COVER	1		
2	AAFE98D0	TOUCH PAD	1		
3	AGFS16A0	TOUCH PAD SWITCH	1		
4	1A033FA0	PAN HEAD SCREW M4X10 CHROME N-80	2		
5	1A0MZHA0	BRACKET FOR CONTROL PAD	1		
6	1A0MZ7A0	CONTROL PAD ARM	1		
7	ZA887LSU	PAN HEAD SEMS SCREW 2P M4X12 SUS	2		

# ROD COMPONENT



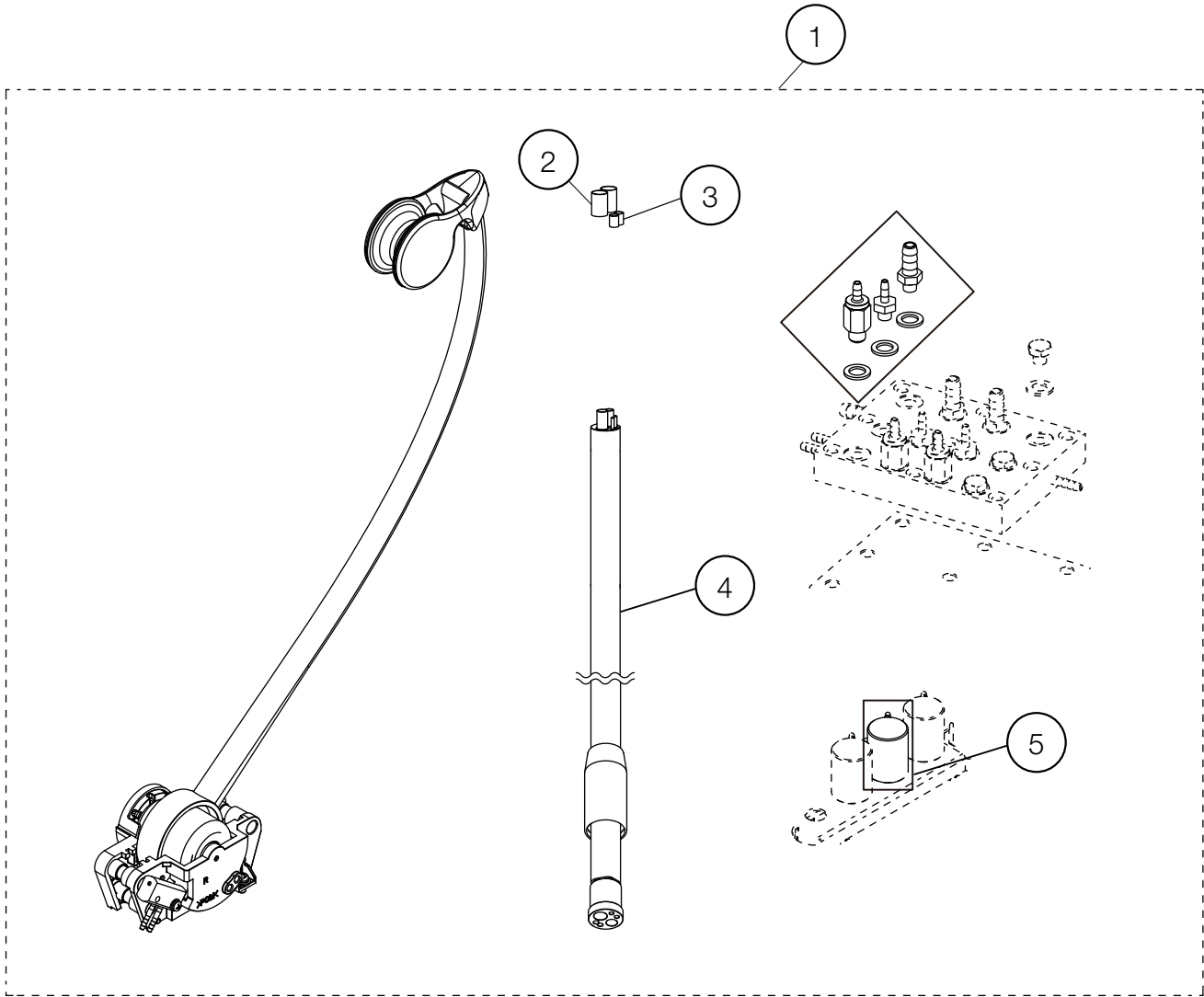
※⑤ and ⑥ are included in ⑦





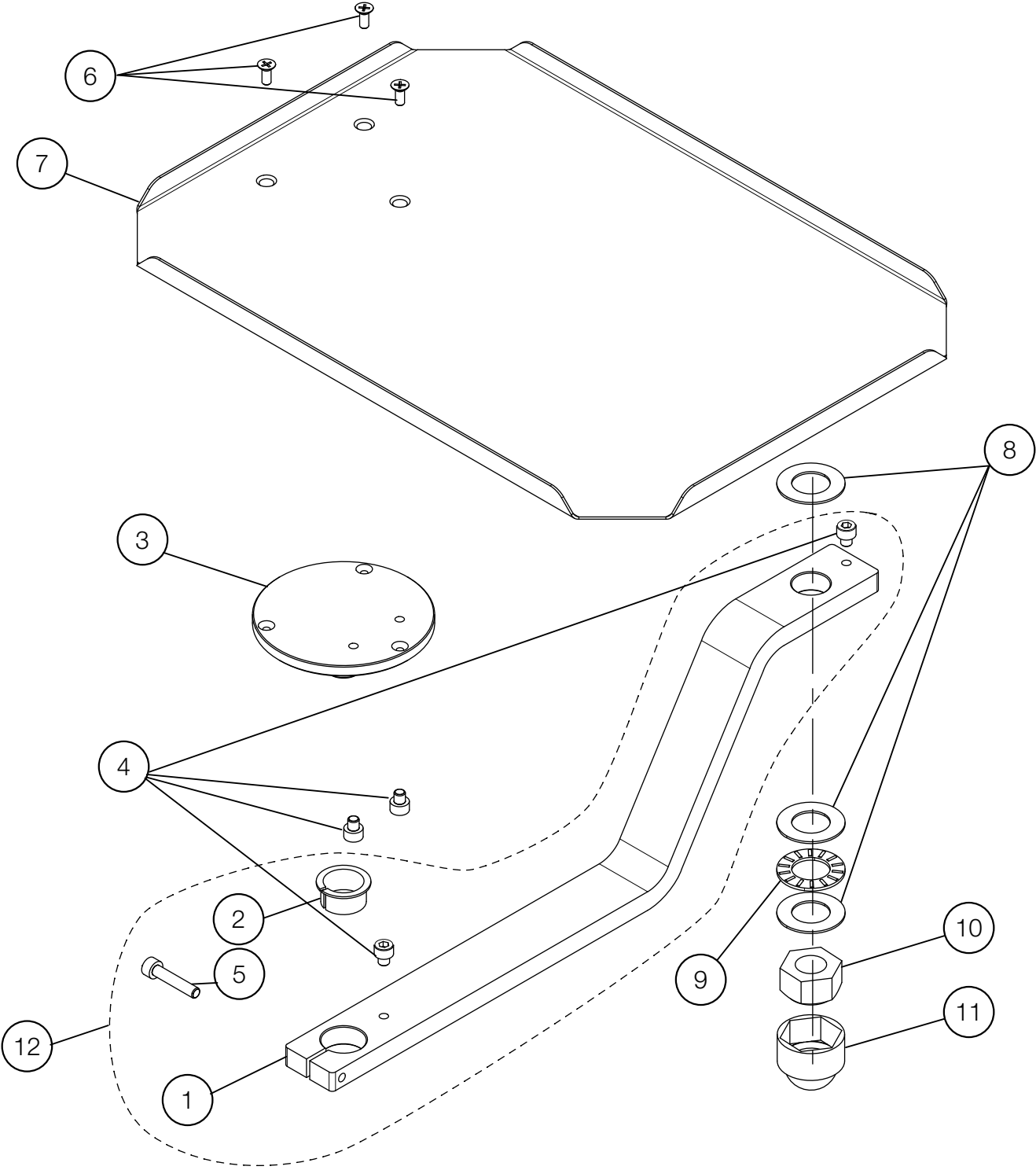
NO.	PARTS NO.	DESCRIPTION	QTY	APPLICABLE SERIAL NO.	LEAD TIME	NOTE
1	1A0TS3B0	BRACKET FOR ROD COMPONENT	1	AU20C0002	C	
2	1P05KEA0	ROD ROTATING PARTS ASSEMBLY	4		C	
3	1A0MYVA0	ROD BLANK COVER	1		C	
4	ZA88JLPU	PAN SEMS SCREW 3P M4X8 SUS	10		A	
5	ZA812JAU	NUT M3 SUS	3		A	
6	ZA88JJTY	PAN SEMS SCREW 3P M3X14 CHROME	3		A	
7	1P05KFA0	ROD PILOT VALVE(A)	3	VW18K0036	C	
8	1A0MZ4C0	ROD ROTATION AXIS	1		C	
9	1A0MYZA0	ROD AXIS BRACKET L	1		C	
10	1A0MZ1A0	ADJUST BLOCK	1		C	
11	1A0MZ0C0	ROD AXIS BRACKET R	1		C	
12	1A0MZ6A0	ROD SPRING	1		C	
13	ZA111J1U	PAN SCREW M3X35 SUS	1		A	
14	AFFX60A0	PAN SCREW P TYPE M4X20 CHROME	4		A	
A	1P07EKA0	ROD ROTATING PARTS ASSEMBLY WITH PILOT VALVE(A)	1		C	

ROD ADDITIONAL HP



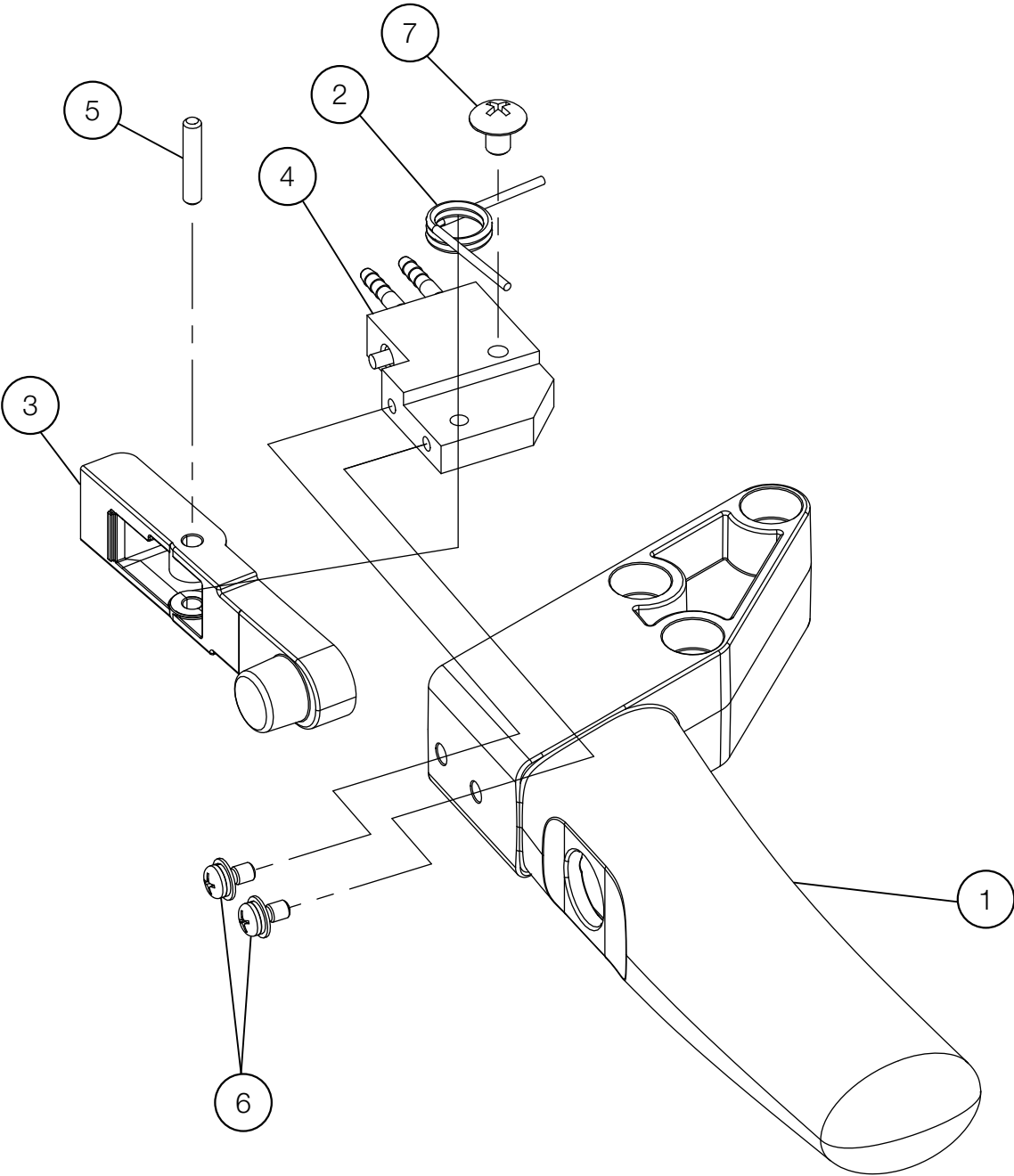
NO.	PARTS NO.	DESCRIPTION	QTY	APPLICABLE SERIAL NO.	NOTE
1	1P07HGA0	ROD ADDITIONAL HP	1		FOR ROD ADDITIONAL HP (DETACHABLE HOSE SPEC.): 1P05J3A0
2	FJMA79A0	SLEEVE 3.8 CLEAR	2		FOR ROD ADDITIONAL HP (DETACHABLE HOSE SPEC.): USA P-N: P1062
3	1E03YJA0	SLEEVE 2.7X3.3	2		FOR ROD ADDITIONAL HP (DETACHABLE HOSE SPEC.): USA P-N: P1061
4	1E05GVA0	HP HOSE	1		
5	1P07HLA0	NEEDLE VALVE ASSEMBLY WITH 1.8 BF FOR WATER	1		FOR ROD ADDITIONAL HP (DETACHABLE HOSE SPEC.): 1P06K1A0

SUB TRAY PARTS



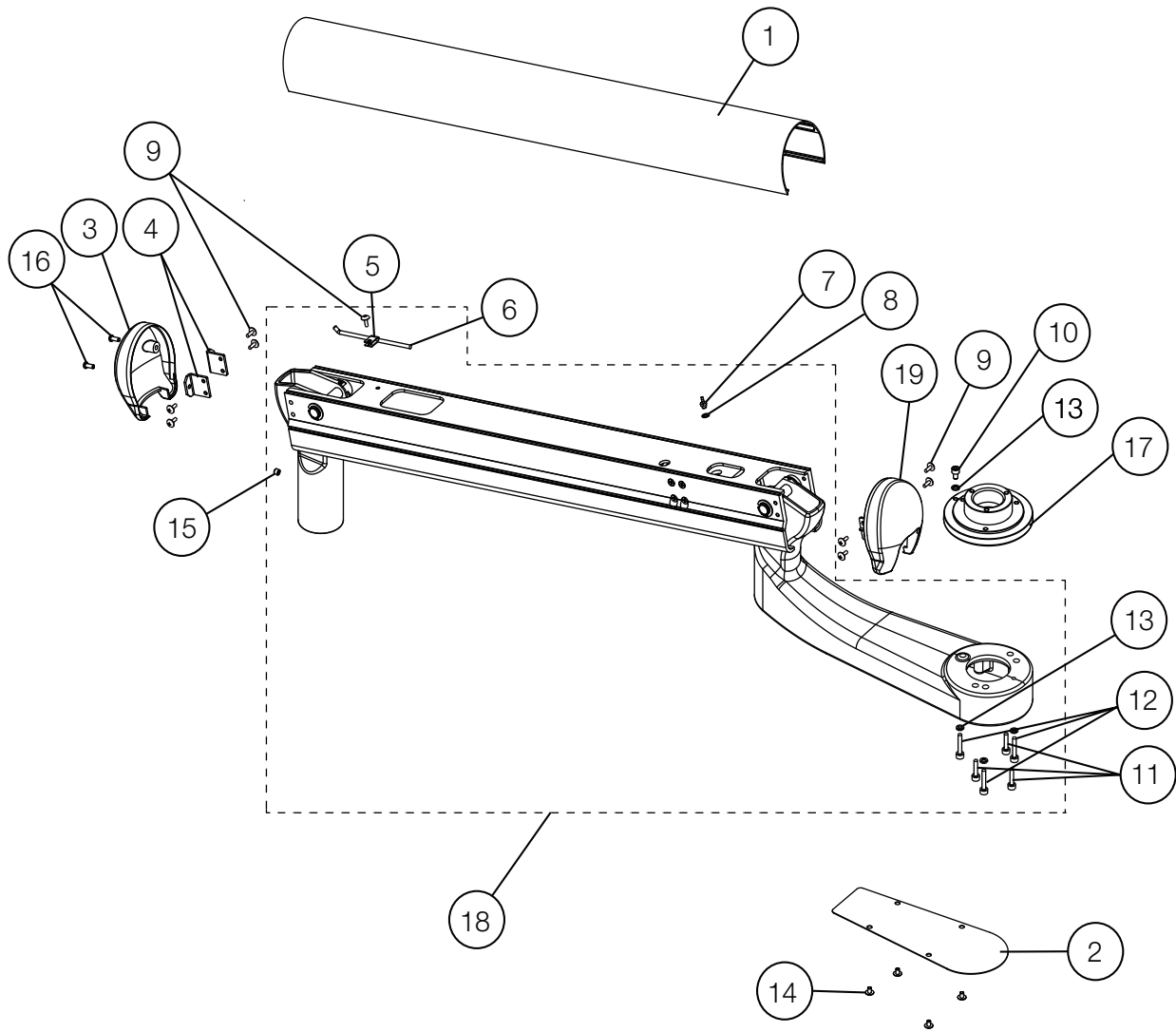
NO.	PARTS NO.	DESCRIPTION	QTY	APPLICABLE SERIAL NO.	NOTE
1	1A0MZBCV	TRAY ARM	1	VW19G0007	
2	1A03A0A0	BRAKE RING	1		
3	1A0MZAA0	TRAY FLANGED SHAFT	1		
4	ZA761NLG	HEX SOCKET HEAD SCREW M5x5 BLACK	4		
5	ZA761NYU	SOCKET HEAD SCREW M5X25 SUS	1		
6	ZA112LRU	FLAT HEAD SCREW M4X10	3		
7	1A0QPPAV	USA SUB TRAY	1		
8	1E02E4A0	THRUST WASHER AS-1103	3		
9	1E02E6A0	NEEDLE BEARING AXK-1103	1		
10	FJCA19A0	U NUT M16XP2	1		
11	1E06NPA0	NUT CAP M16	1		
12	1P05KGA0	TRAY ARM ASSEMBLY	1		

TABLE INTERNAL PARTS



NO.	PARTS NO.	DESCRIPTION	QTY	APPLICABLE SERIAL NO.	NOTE
1	1A0MZ5A0	ROD HANDLE	1		
2	1A0MZDA0	SPRING FOR LEVER	1		
3	1A0MZ2A0	AIR BRAKE LEVER	1		
4	1P05KLA0	ROD BRAKE VALVE	1		
5	1A0MZKA0	SHAFT FOR LEVER	1		
6	ZA88JJNY	PAN HEAD SEMS SCREW 3P M3X6 CHROME	2		
7	ZA114LNU	TRUSS M4X6 SUS	1		

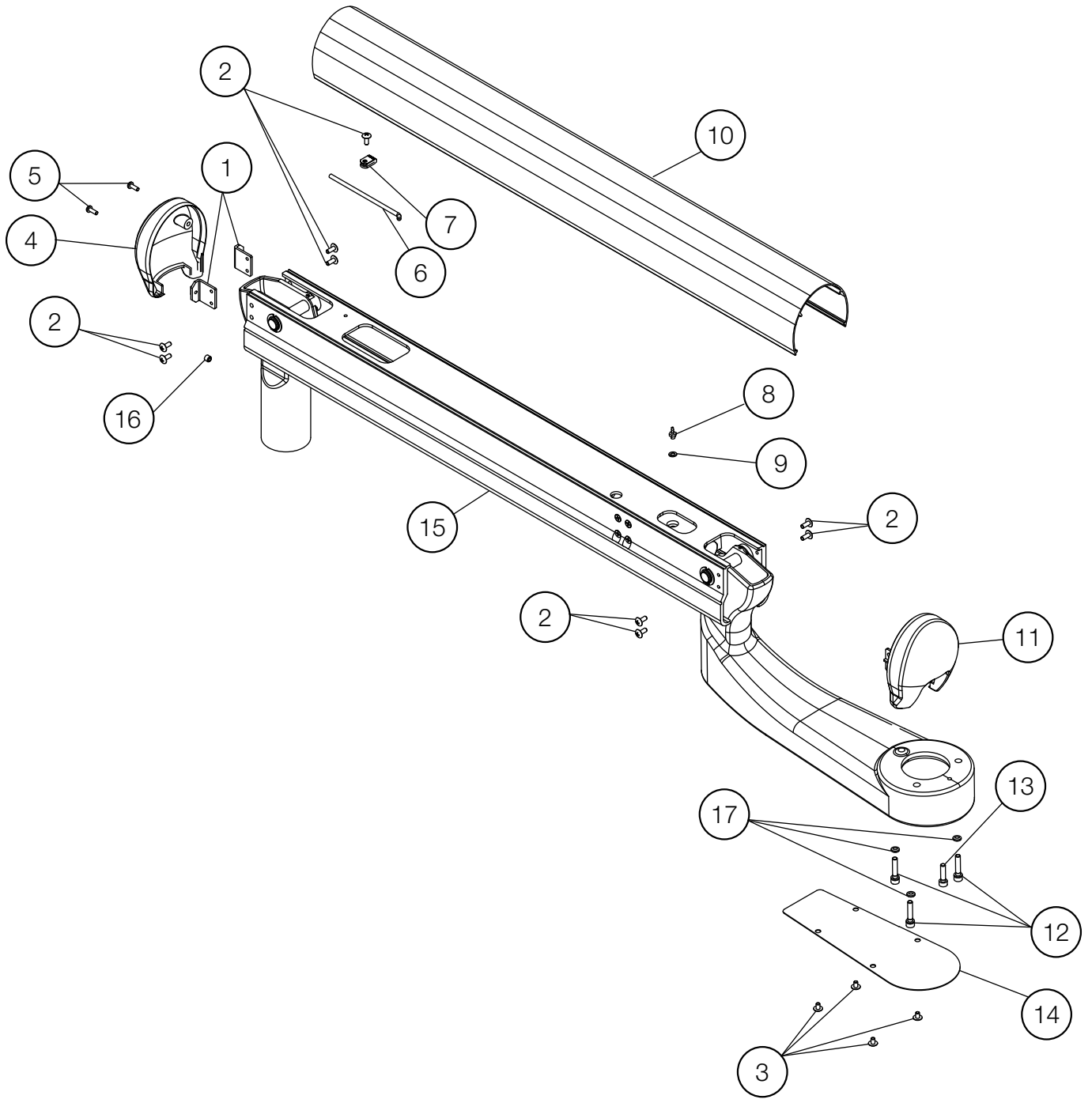
BALANCE ARM FOR TRADITIONAL CHAIR MOUNTED DELIVERY STYLE





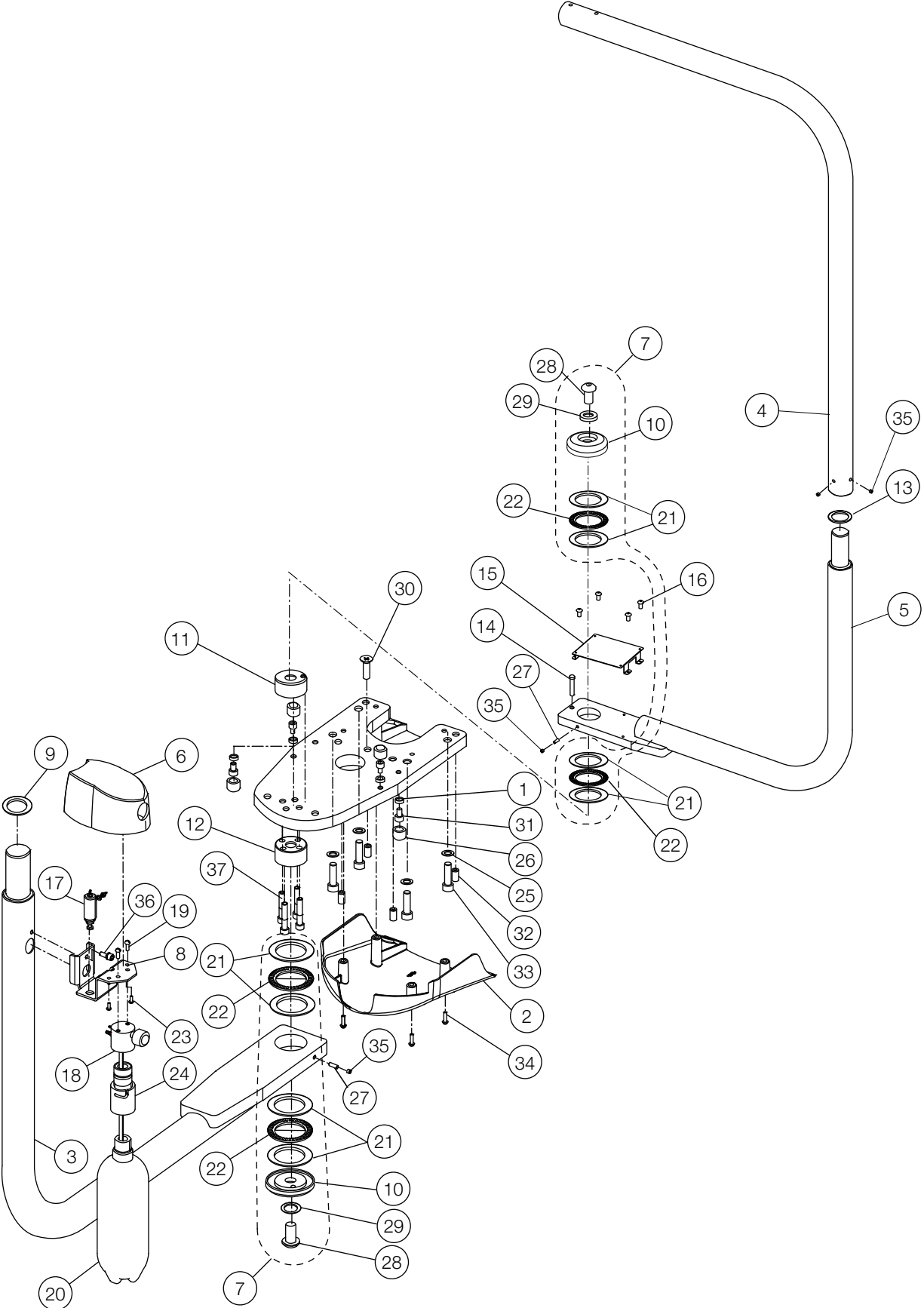
NO.	PARTS NO.	DESCRIPTION	QTY	APPLICABLE SERIAL NO.	NOTE
1	AAFK84AV	BALANCE ARM FRAME COVER	1		
2	AAFK85AV	TABLE BRACKET BOTTOM COVER	1		
3	AAFF04C0	END CAP	1		
4	AAFT87A0	BRACKET FOR ARM END CAP	2		
5	APNA19A0	NYLON CLAMP NK-2N	1		
6	CANF43B0	ADJUSTING BAR FOR SPRING	1		
7	AFFS04A0	1/16 INX10-32 BARB (PLATED)	1		USA P-N: P1052
8	AFFU48A0	WASHER 10-32 (SEAL)	1		USA P-N: P1055
9	ZA114LRU	TRUSS M4X10 SUS	11		
10	ZA761NPG	HEX SOCKET HEAD SCREW M5X8 BLACK	1		
11	ZA761NWG	SOCKET HEAD SCREW M5x20 BLACK	3		
12	ZA761NYG	SOCKET HEAD SCREW M5X25 BLACK	3		
13	ZB511NAU	SPRING WASHER M5	4		
14	ZA114LNU	TRUSS M4X6 SUS	4		
15	ZA774OLU	HEX SOCKET SET SCREW (CUP POINT) M6X5 SUS	2		
16	ZA111LRY	PAN HEAD SCREW M4X10 CHROME	2		
17	1A0GNGB0	TABLE ROTATION SHAFT	1		
18	1P0459A0	BALANCE ARM ASSEMBLY	1		
19	AAFF05C0	END CAP (REAR)	1		

BALANCE ARM FOR CONTINENTAL CHAIR MOUNTED DELIVERY SYSTEM



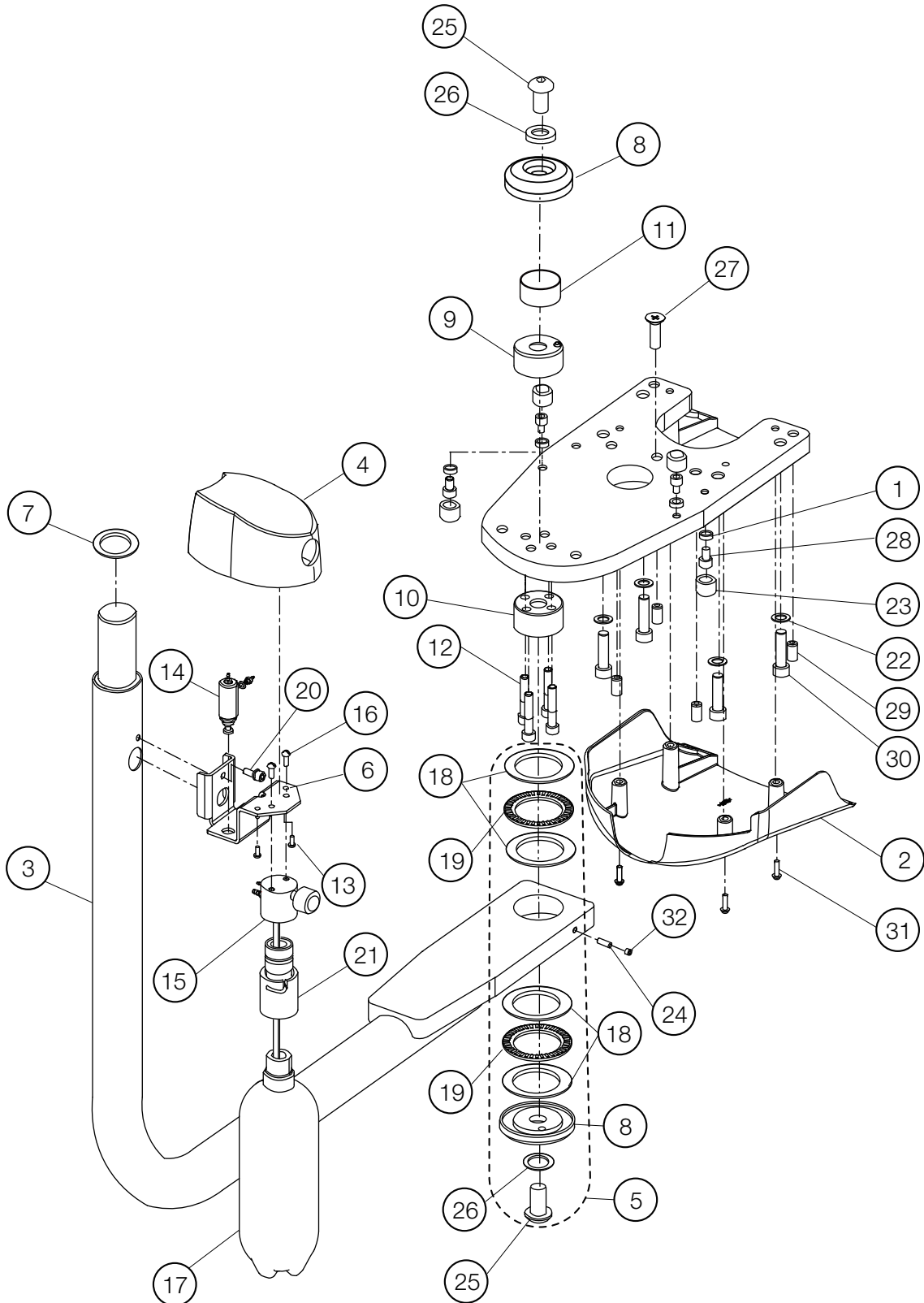
NO.	PARTS NO.	DESCRIPTION	QTY	APPLICABLE SERIAL NO.	NOTE
1	AAFT87A0	BRACKET FOR ARM END CAP	2		
2	ZA114LRU	TRUSS HEAD SCREW M4X10 SUS	9		
3	ZA114LNU	TRUSS M4X6 SUS	4		
4	AAFF04C0	END CAP	1		
5	ZA111LRY	PAN HEAD SCREW M4X10 CHROME	2		
6	CANF43B0	ADJUSTING BAR FOR SPRING	1		
7	APNA19A0	NYLON CLAMP NK-2N	1		
8	AFFS04A0	1/16 INX10-32 BARB (PLATED)	1		USA P-N: P1052
9	AFFU48A0	WASHER 10-32 (SEAL)	1		USA P-N: P1055
10	AAFK84A0	COVER FOR PIPING	1		
11	AAFF05C0	END CAP (REAR)	1		
12	ZA761NYG	SOCKET HEAD SCREW M5X25 BLACK	3		
13	ZA761NWG	SOCKET HEAD SCREW M5X20 BLACK	1		
14	AAFK85A0	BOTTOM COVER FOR TABLE BRACKET	1		
15	1P05GKA0	ROD BALANCE ARM	1		
16	ZA774OLU	HEX SOCKET SET SCREW (CUP POINT) M6X5 SUS	1		
17	ZB511NAU	SPRING WASHER $\phi$ 5 SUS	3		

DR. SWING ARM & LIGHT SWING ARM ASSY (AU-HV3370SQ)



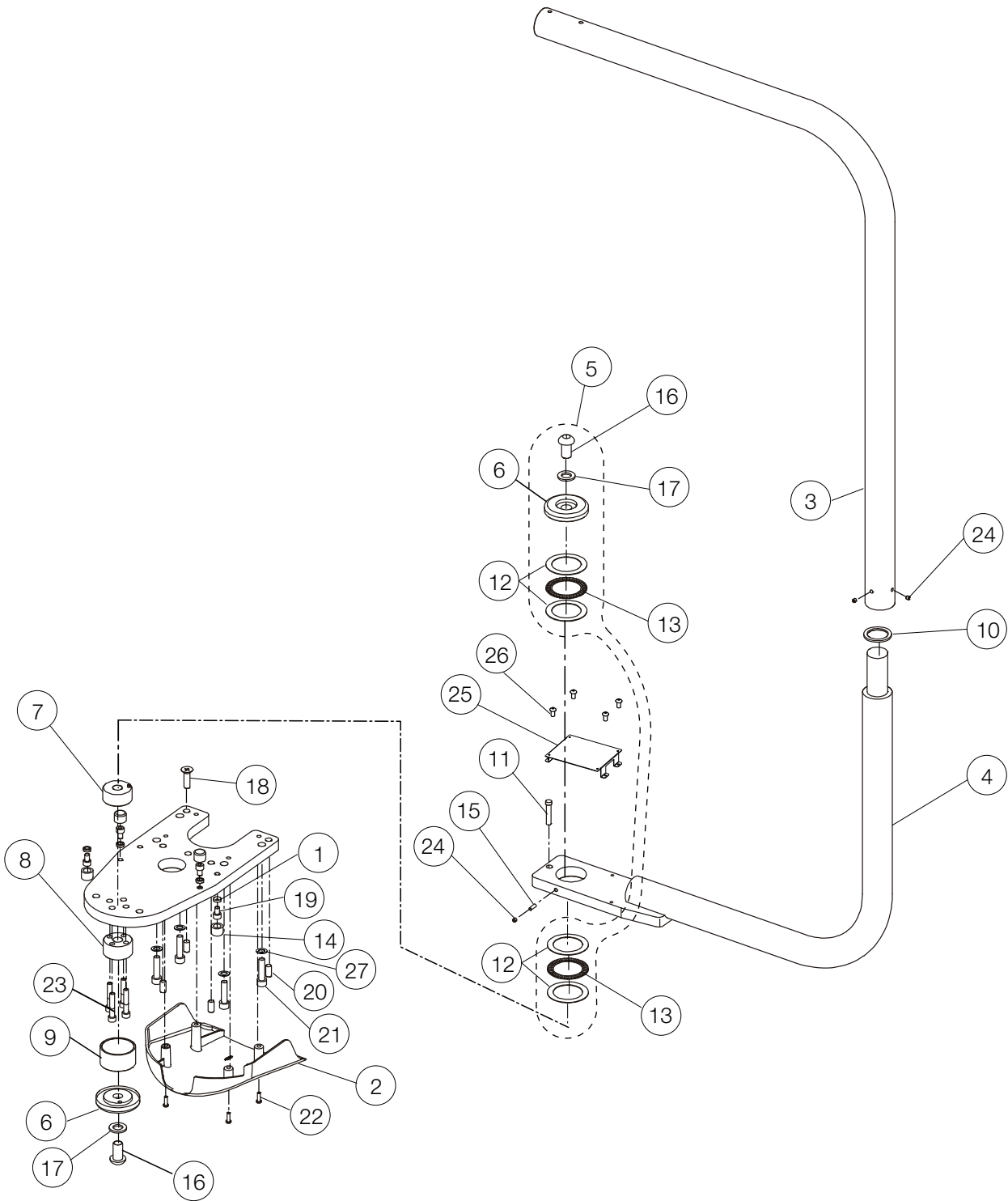
NO.	PARTS NO.	DESCRIPTION	QTY	APPLICABLE SERIAL NO.	NOTE
1	AAET81A0	SPACER FOR ARM STOPPER	4		
2	AAFB95C0	HOSE COVER	1		
3	1A0HHGAV	DOCTOR SWING ARM (EVOGUE)	1		
4	1P048MA0	L-SHAPED LIGHT POLE ASSEMBLY	1		
5	1A0HCPAV	LIGHT SWING ARM	1		
6	AAFF06C0	WATER BOTTLE COVER	1		
7	1P074JA0	ROTATION WASHER ASSY	-		
8	AAFK86A0	BRACKET FOR WATER BOTTLE (SA)	1		
9	AAFT81B0	WASHER FOR ROTATION SHAFT	1	VG16F0001	
10	AAFT92A0	SWING ARM ROTATION WASHER	2		
11	1P04ANA0	UPPER SHAFT ASSEMBLY	1		
12	1P04APA0	LOWER SHAFT ASSEMBLY	1		
13	AAFU04B0	LIGHT POLE ROTATION WASHER	1	VG16E0021	
14	AAFU05A0	ROTATION STOPPER	1		
15	1A0H3KAV	BRACKET FOR DENTAL LIGHT PCB	1		
16	ZA114LNU	TRUSS M4X6 SUS	4		
17	1P04ALA0	MINI-AIR REGULATOR W/ BARB AND WASHER	1		
18	AFFS17A0	WATER BOTTLE HEAD W/ PRESSURE 1/8" NPTF GAUGE PORT	1		USA P-N: RC18041DBEL
19	AFFS19A0	10-32 1/2 SCREW SUS	2		USA P-N: RF-2010
20	AFFS21B0	WATER BOTTLE 2L	1	-	USA P-N: D8164
21	AFFS40A0	THRUST WASHER (AS-1110)	8		
22	AFFS41A0	THRUST BEARING (AXK-1111)	4		
23	FJHA34A0	PAN HEAD SCREW M4X16 CHROME	2		
24	AFFV15A0	QUICK COUPLER KIT	1	-	USA P-N: D8941
25	ZB511QAY	SPRING WASHER M10 CHROME	4		
26	DAMS68AA	RUBBER RING FOR ARM STOPPER	4		
27	FAAA30A0	BRAKE SHOE	2		
28	ZSA11TZU	BUTTON CAP SCREW M16X30 SUS	2		
29	ZB562TAU	WASHER 16X32X2 SUS	2		
30	ZSA01Q1U	FLAT HEAD SOCKET CAP SCREW M10X35 SUS	1		
31	ZA761PSG	HEX SOCKET BOLT M8X12 BLACK	4		
32	ZA771QWU	SET SCREW M10X20	4		
33	ZA761Q2G	HEX SOCKET HEAD SCREW M10X40 BLACK	4		
34	ZA887NUU	PAN HEAD SEMS SCREW 2P M5X16 SUS	4		
35	ZA774OLU	HEX SOCKET SET SCREW (CUP POINT) M6X5 SUS	4		
36	ZA761O#U	HEX SOCKET BOLT M6X15 SUS	1		
37	ZA762P3G	HEX SOCKET BOLT M8X45	4		

DR. SWING ARM (AU-HV3375SQ)



NO.	PARTS NO.	DESCRIPTION	QTY	APPLICABLE SERIAL NO.	NOTE
1	AAET81A0	SPACER FOR ARM STOPPER	4		
2	AAFB95C0	HOSE COVER	1		
3	1A0HHGAV	DOCTOR SWING ARM (EVOGUE)	1		
4	AAFF06C0	WATER BOTTLE COVER	1		
5	1P074JA0	ROTATION WASHER ASSY	-		
6	AAFK86A0	WATER BOTTLE BRACKET (SA)	1		
7	AAFT81B0	WASHER FOR ROTATION SHAFT	1	VG16F0001	
8	AAFT92A0	SWING ARM ROTATION WASHER	2		
9	1P04ANA0	UPPER SHAFT ASSEMBLY	1		
10	1P04APA0	LOWER SHAFT ASSEMBLY	1		
11	AAFU03A0	COVER FOR ARMLESS UNIT	1		
12	ZA762P3G	CAP SCREW M8X45 (FULLY THREADED) BLACK	4		
13	FJHA34A0	PAN HEAD SCREW M4X16 CHROME	2		
14	1P04ALA0	MINI-AIR REGULATOR W/ BARB AND WASHER	1		
15	AFFS17A0	WATER BOTTLE HEAD W/ PRESSURE 1/8" NPTF GAUGE PORT	1		USA P-N: RC18041DBEL
16	AFFS19A0	10-32 1/2 SCREW SUS	2		USA P-N: RF-2010
17	AFFS21B0	WATER BOTTLE 2L	1	-	USA P-N: D8164
18	AFFS40A0	THRUST WASHER (AS-1110)	4		
19	AFFS41A0	THRUST BEARING (AXK-1110)	2		
20	ZA761O#U	HEX SOCKET BOLT M6X15 SUS	1		
21	AFFV15A0	QUICK COUPLER KIT	1	-	USA P-N: D8941
22	ZB511QAY	SPRING WASHER M10 CHROME	4		
23	DAMS68AA	RUBBER RING FOR ARM STOPPER	4		
24	FAAA30A0	BRAKE SHOE	1		
25	ZSA11TZU	BUTTON CAP SCREW M16X30 SUS	2		
26	ZB562TAU	FLAT WASHER 16X32X2 SUS	2		
27	ZSA01Q1U	FLAT HEAD SOCKET CAP SCREW M10X35 SUS	1		
28	ZA761PSG	HEX SOCKET BOLT M8X12 BLACK	4		
29	ZA771QWU	SET SCREW M10X20	4		
30	ZA761Q2G	HEX SOCKET HEAD SCREW M10X40 BLACK	4		
31	ZA887NUU	PAN HEAD SEMS SCREW 2P M5X16 SUS	4		
32	ZA774OLU	HEX SOCKET SET SCREW (CUP POINT) M6X5 SUS	1		

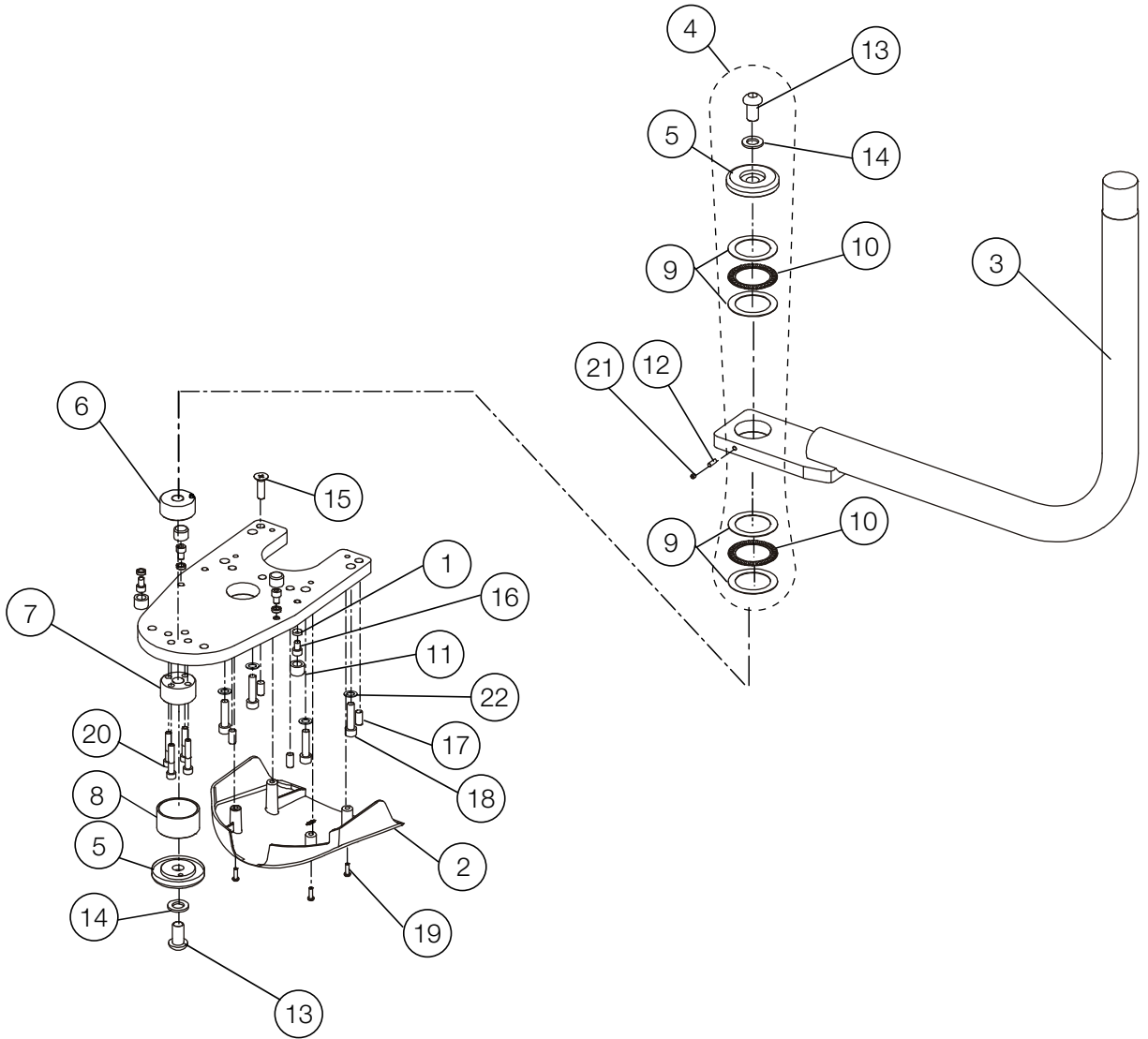
LIGHT SWING ARM (AU-HV3330SQ)





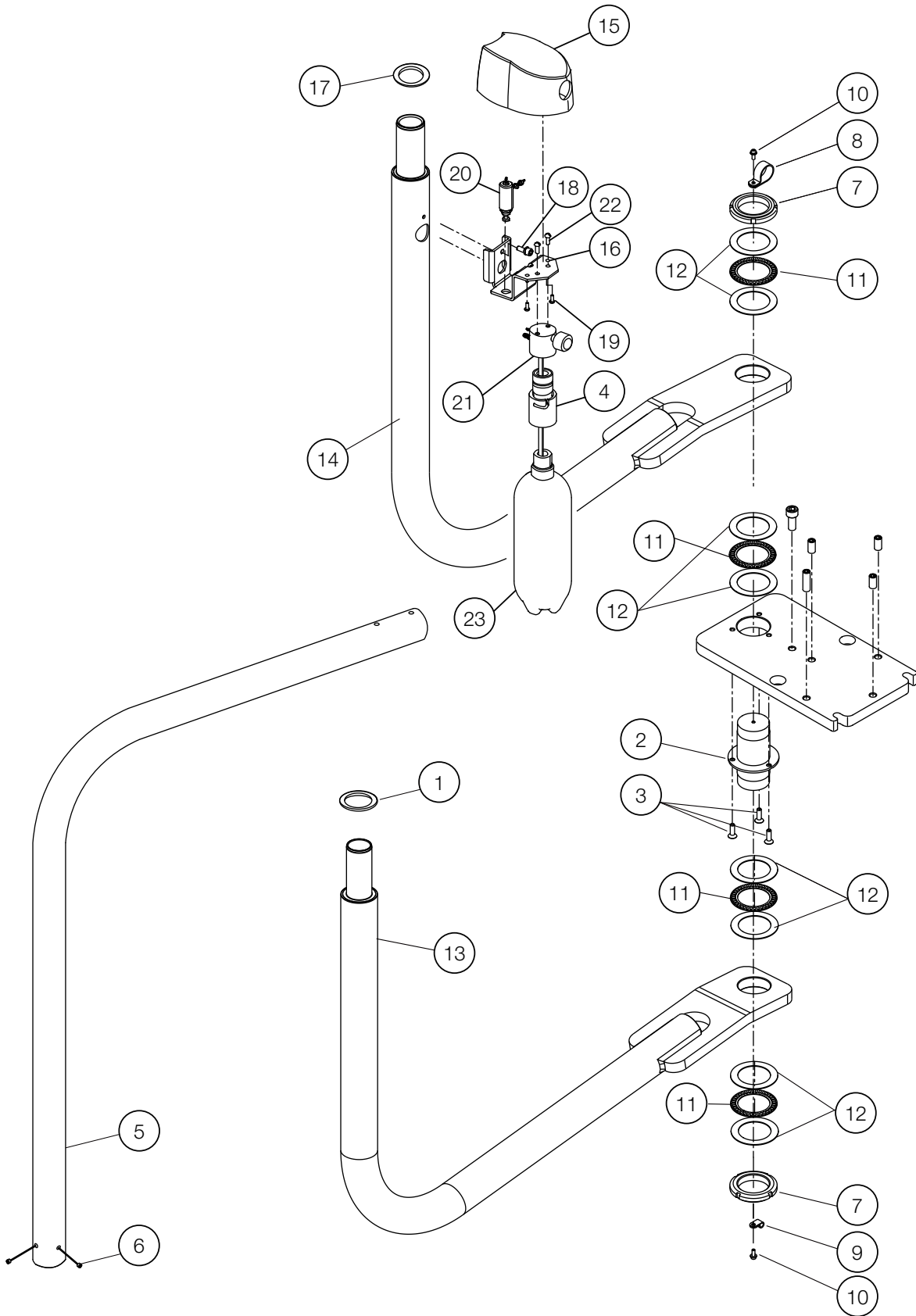
NO.	PARTS NO.	DESCRIPTION	QTY	APPLICABLE SERIAL NO.	NOTE
1	AAET81A0	SPACER FOR ARM STOPPER	4		
2	AAFB95C0	HOSE COVER	1		
3	1P048MA0	L-SHAPED LIGHT POLE ASSEMBLY	1		
4	1A0HCPAV	LIGHT SWING ARM	1		
5	1P074JA0	ROTATION WASHER ASSY	-		
6	AAFT92AV	SWING ARM ROTATION WASHER	2		
7	1P04ANA0	UPPER SHAFT ASSEMBLY	1		
8	1P04APA0	LOWER SHAFT ASSEMBLY	1		
9	AAFU03A0	COVER FOR ARMLESS UNIT	1		
10	AAFU04B0	LIGHT POLE ROTATION WASHER	1	VG16E0021	
11	AAFU05A0	ROTATION STOPPER	1		
12	AFFS40A0	THRUST WASHER (AS-1110)	4		
13	AFFS41A0	THRUST BEARING (AXK-1110)	2		
14	DAMS68AA	RUBBER RING FOR ARM STOPPER	4		
15	FAAA30A0	BRAKE SHOE	1		
16	ZSA11TZU	BUTTON CAP SCREW M16X30 SUS	2		
17	ZB562TAU	FLAT WASHER 16X32X2 SUS	2		
18	ZSA01Q1U	FLAT HEAD SOCKET CAP SCREW M10X35 SUS	1		
19	ZA761PSG	HEX SOCKET BOLT M8X12 BLACK	4		
20	ZA774QWU	CAP POINT SET SCREW M10X20 SUS	4		
21	ZA761Q2G	HEX SOCKET HEAD SCREW M10X40 BLACK	4		
22	ZA887NUU	PAN HEAD SEMS SCREW 2P M5X16 SUS	4		
23	ZA762P3G	CAP SCREW M8X45 (FULLY THREADED) BLACK	4		
24	ZA774OLU	HEX SOCKET SET SCREW (CUP POINT) M6X5 SUS	3		
25	1A0H3KAV	BRACKET FOR DENTAL LIGHT PCB	1		
26	ZA114LNU	TRUSS M4X6 SUS	4		
27	ZB511QAY	SPRING WASHER M10 CHROME	4		

MONITOR SWING ARM (AU-HV3390MS)



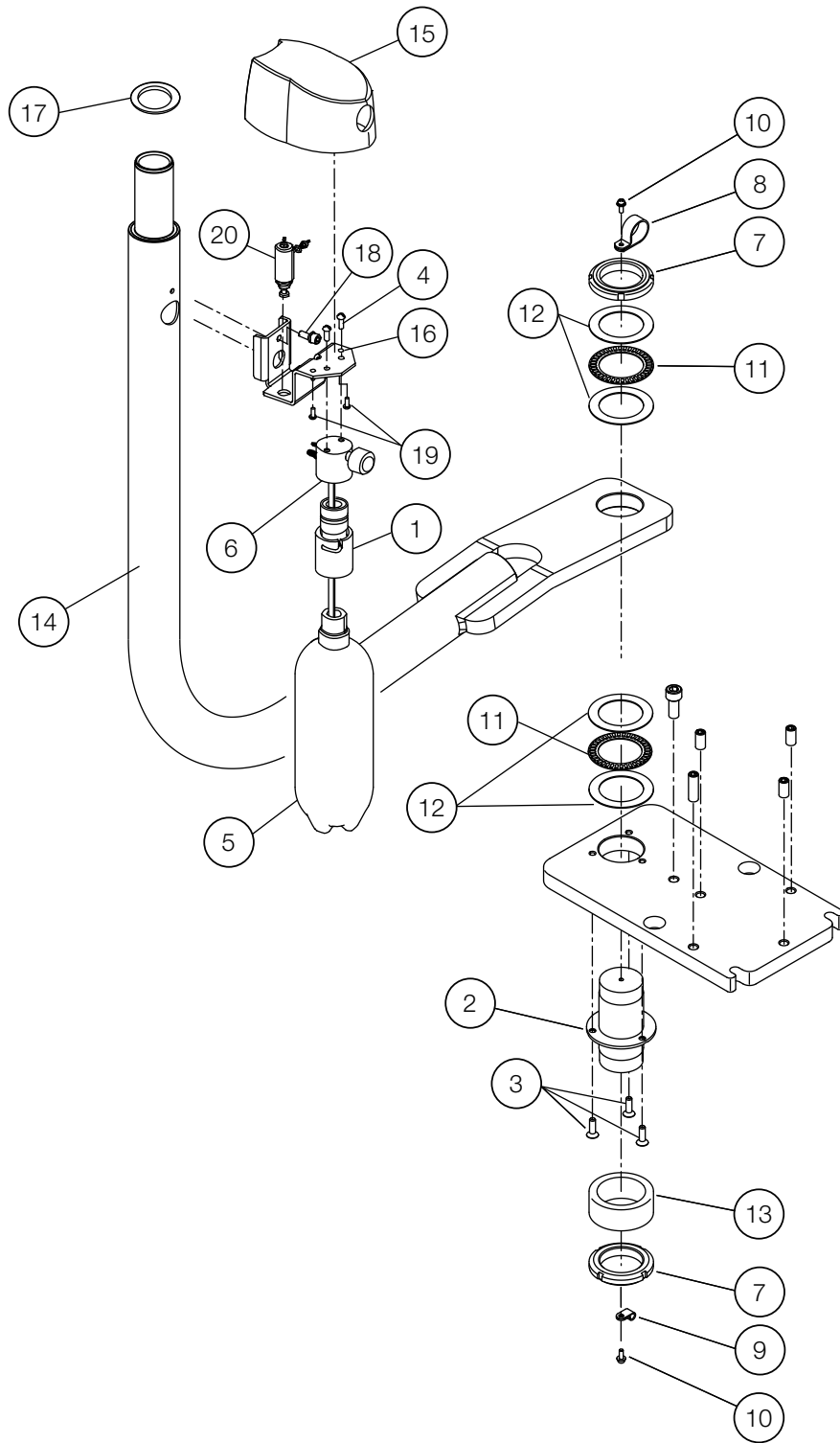
NO.	PARTS NO.	DESCRIPTION	QTY	APPLICABLE SERIAL NO.	NOTE
1	AAET81A0	SPACER FOR ARM STOPPER	4		
2	AAFB95C0	HOSE COVER	1		
3	1A0HHFAV	MONITOR SWING ARM (EVOGUE)	1		
4	1P074JA0	ROTATION WASHER ASSY	-		
5	AAFT92AV	SWING ARM ROTATION WASHER	2		
6	1P04ANA0	UPPER SHAFT ASSEMBLY	1		
7	1P04APA0	LOWER SHAFT ASSEMBLY	1		
8	AAFU03A0	COVER FOR ARMLESS UNIT	1		
9	AFFS40A0	THRUST WASHER (AS-1110)	4		
10	AFFS41A0	THRUST BEARING (AXK-1111)	2		
11	DAMS68AA	RUBBER RING FOR ARM STOPPER	4		
12	FAAA30A0	BRAKE SHOE	1		
13	ZSA11TZU	BUTTON CAP SCREW M16X30 SUS	2		
14	ZB562TAU	FLAT WASHER 16X32X2 SUS	2		
15	ZSA01Q1U	FLAT HEAD SOCKET CAP SCREW M10X35 SUS	1		
16	ZA761PSG	HEX SOCKET BOLT M8X12 BLACK	4		
17	ZA774QWU	CAP POINT SET SCREW M10X20 SUS	4		
18	ZA761Q2G	HEX SOCKET HEAD SCREW M10X40 BLACK	4		
19	ZA887NUU	PAN HEAD SEMS SCREW 2P M5X16 SUS	4		
20	ZA762P3G	CAP SCREW M8X45 (FULLY THREADED) BLACK	4		
21	ZA774OLU	HEX SOCKET SET SCREW (CUP POINT) M6X5 SUS	1		
22	ZB511QAY	SPRING WASHER M10 CHROME	4		

DR. SWING ARM & LIGHT SWING ARM ASSY (AU-HV3270SX)



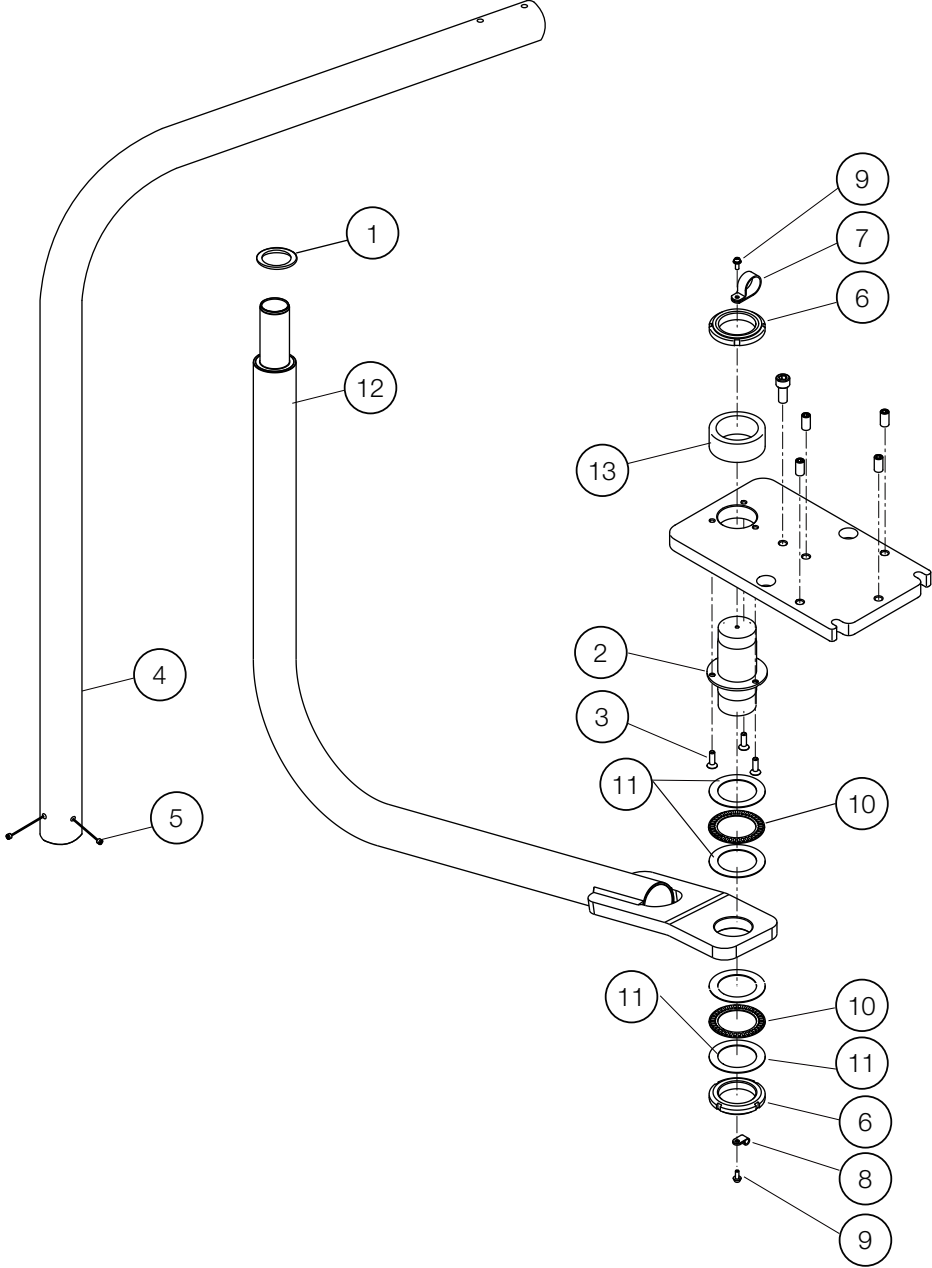
NO.	PARTS NO.	DESCRIPTION	QTY	APPLICABLE SERIAL NO.	NOTE
1	AAFU04B0	LIGHT POLE ROTATION WASHER	1	VG16E0021	
2	FATA89B0	ROTATION SHAFT	1		
3	ZSA01OWU	FLAT HEAD HEX SOCKET BOLT M6X20	3		
4	AFFV15A0	QUICK COUPLER KIT	1	-	USA P-N: D8941
5	1P048MA0	L-SHAPED LIGHT POLE ASSEMBLY	1		
6	ZA774OLU	HEX SOCKET SET SCREW (CUP POINT) M6X5 SUS	2		
7	FJTA26A0	FINE U-NUT (FU09SS)	2		
8	FJRA53A0	NYLON CLAMP SL-14N	1		
9	FJMA68A0	NYLON CLAMP (3304)	1		
10	ZA88JLRU	PAN HEAD SCREW M4X10 SUS	2		
11	FJNA55A0	NEEDLE BEARING	4		
12	FJNA56A0	THRUST WASHER (AS1109)	8		
13	1A0GV8BV	SWING MOUNT ARM ASSEMBLY FOR LIGHT	1	VG18K0020	
14	1A0GV9AV	DOCTOR SWING ARM FOR X-CALIBUR V	1	VG18K0012	
15	AAFF06C0	WATER BOTTLE COVER	1		
16	AAFK86A0	BRACKET FOR WATER BOTTLE (SA)	1		
17	AAFT81B0	WASHER FOR ROTATION SHAFT	1	VG16F0001	
18	ZA761O#U	HEX SOCKET BOLT M6X15 SUS	1		
19	FJHA34A0	PAN HEAD SCREW M4X16 CHROME	2		
20	1P04ALA0	MINI-AIR REGULATOR W/ BARB AND WASHER	1		
21	AFFS17A0	WATER BOTTLE HEAD W/ PRESSURE 1/8" NPTF GAUGE PORT	1		USA P-N: RC18041DBEL
22	AFFS19A0	10-32 1/2 SCREW SUS	2		USA P-N: RF-2010
23	AFFS21B0	WATER BOTTLE 2L	1	-	USA P-N: D8164

DR. SWING ARM (AU-HV3275SX)



NO.	PARTS NO.	DESCRIPTION	QTY	APPLICABLE SERIAL NO.	NOTE
1	AFFV15A0	QUICK COUPLER KIT	1	-	USA P-N: D8941
2	FATA89B0	ROTATION SHAFT	1		
3	ZSA01OWU	FLAT HEAD HEX SOCKET BOLT M6X 20	3		
4	AFFS19A0	10-32 1/2 SCREW SUS	2		USA P-N: RF-2010
5	AFFS21B0	WATER BOTTLE 2L	1	-	USA P-N: D8164
6	AFFS17A0	WATER BOTTLE HEAD W/ PRESSURE 1/8" NPTF GAUGE PORT	1		USA P-N: RC18041DBEL
7	FJTA26A0	FINE U-NUT (FU09SS)	2		
8	FJRA53A0	NYLON CLAMP SL-14N	1		
9	FJMA68A0	NYLON CLAMP (3304)	1		
10	ZA88JLRU	PAN HEAD SCREW M4X10 SUS	2		
11	FJNA55A0	NEEDLE BEARING	2		
12	FJNA56A0	THRUST WASHER (AS1109)	4		
13	FATB13BV	SPACER FOR ROTATION POLE	1		
14	1A0GV9AV	DOCTOR SWING ARM FOR X-CALIBUR V	1	VG18K0012	
15	AFF06C0	WATER BOTTLE COVER	1		
16	AAF86A0	BRACKET FOR WATER BOTTLE (SA)	1		
17	AAFT81B0	WASHER FOR ROTATION SHAFT	1	VG16F0001	
18	ZA7610#U	HEX SOCKET BOLT M6X15 SUS	1		
19	FJHA34A0	PAN HEAD SCREW M4X16 CHROME	2		
20	1P04ALA0	MINI-AIR REGULATOR W/ BARB AND WASHER	1		

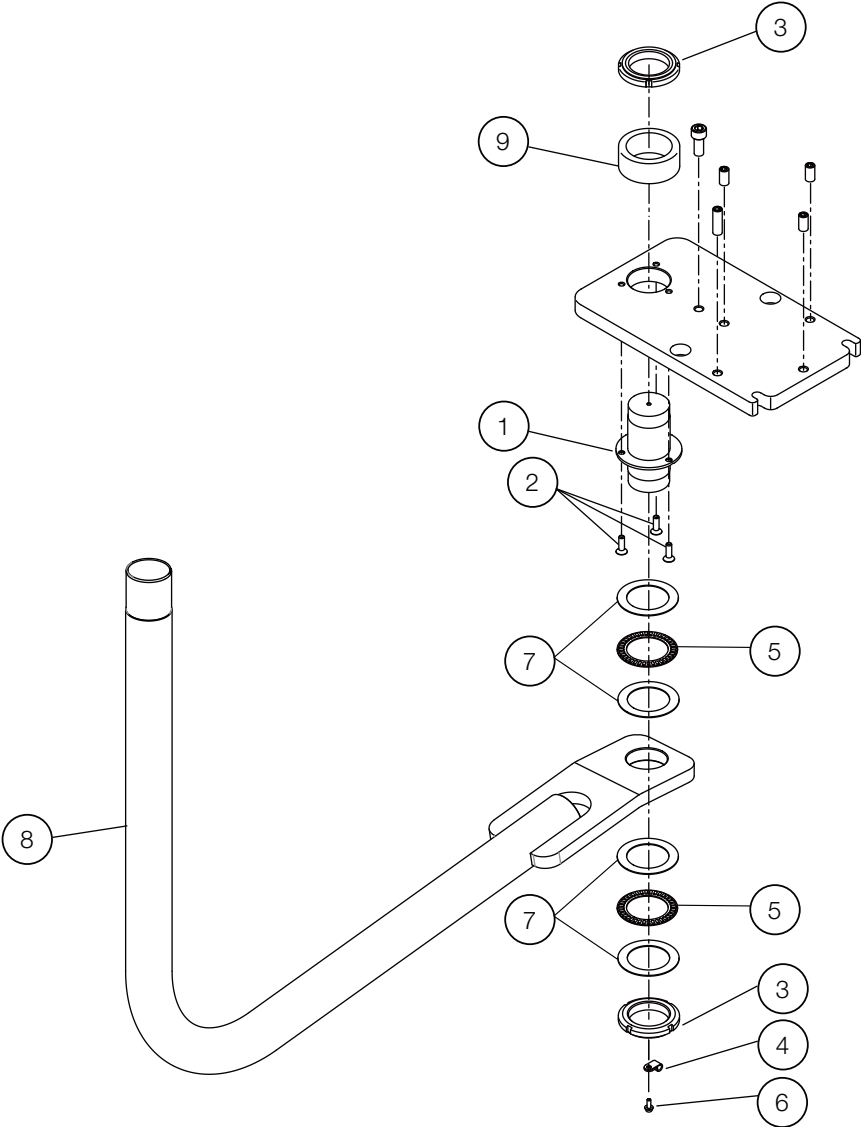
LIGHT SWING ARM (AU-HV3230SX)



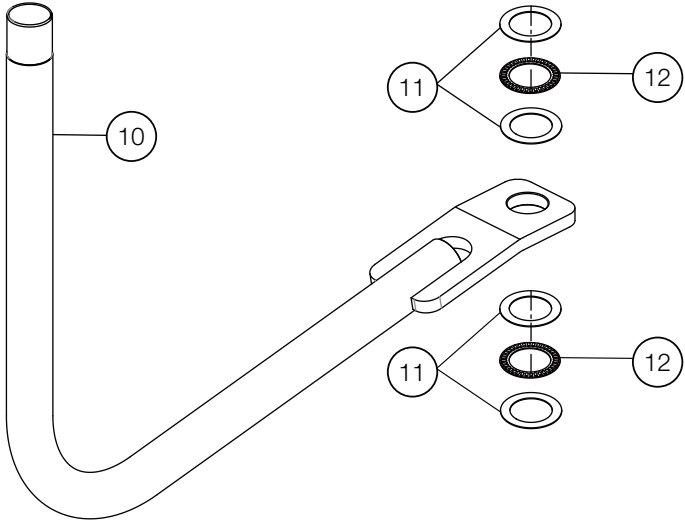


NO.	PARTS NO.	DESCRIPTION	QTY	APPLICABLE SERIAL NO.	NOTE
1	AAFU04B0	LIGHT POLE ROTATION WASHER	1	VG16E0021	
2	FATA89B0	ROTATION SHAFT	1		
3	ZSA01OWU	FLAT HEAD HEX SOCKET BOLT M6X20	3		
4	1P048MA0	L-SHAPED LIGHT POLE ASSEMBLY	1		
5	ZA774OLU	HEX SOCKET SET SCREW (CUP POINT) M6X5 SUS	2		
6	FJTA26A0	FINE U-NUT (FU09SS)	2		
7	FJRA53A0	NYLON CLAMP SL-14N	1		
8	FJMA68A0	NYLON CLAMP (3304)	1		
9	ZA88JLRU	PAN HEAD SCREW M4X10 SUS	2		
10	FJNA55A0	NEEDLE BEARING	2		
11	FJNA56A0	THRUST WASHER (AS1109)	4		
12	1A0GV8BV	SWING MOUNT ARM ASSEMBLY FOR LIGHT	1	VG18K0020	
13	FATB13BV	SPACER FOR ROTATION POLE	1		

MONITOR SWING ARM (AU-HV3290MSX)

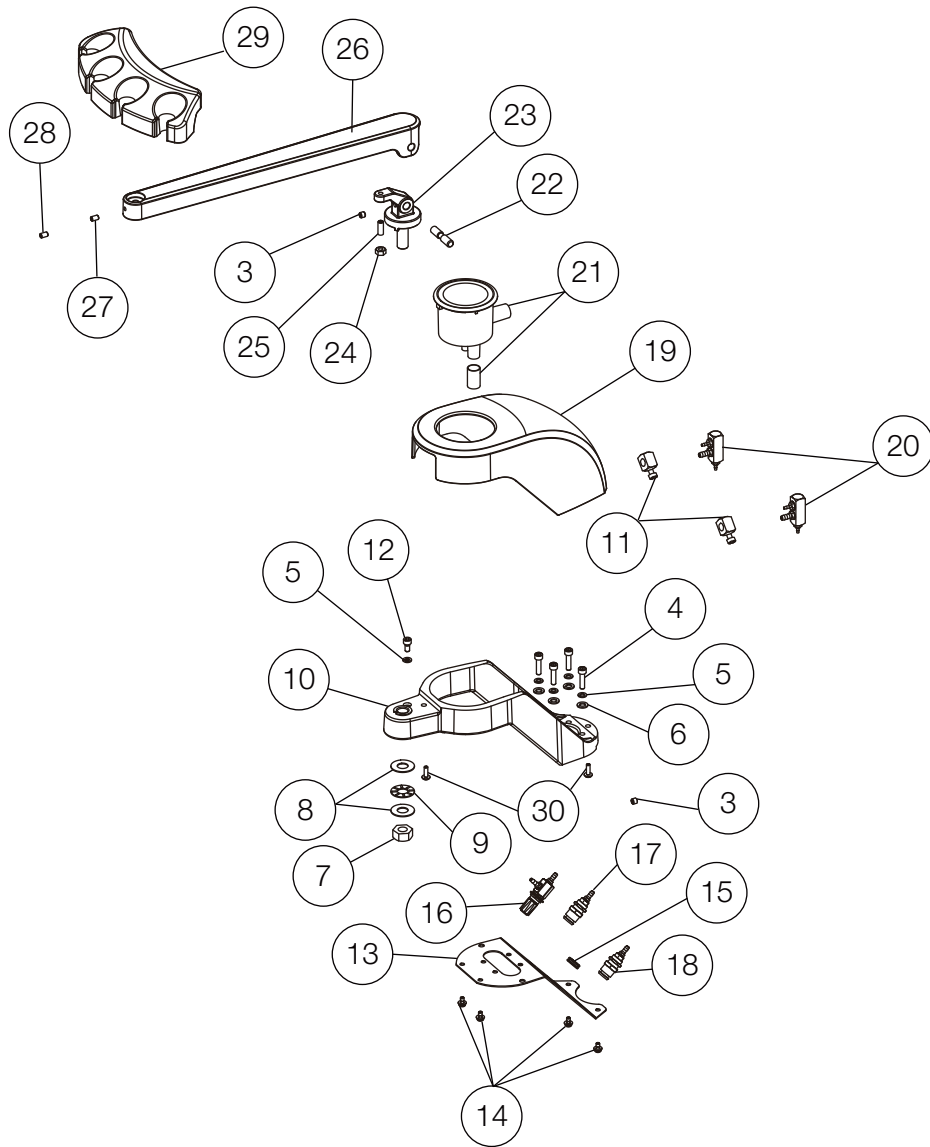


MONITOR SWING ARM W/O BRACKET (AU-HV3289MSX)



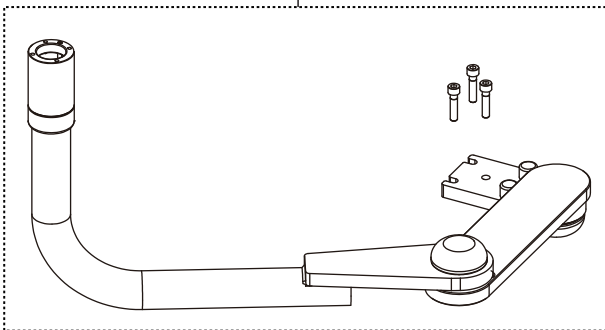
NO.	PARTS NO.	DESCRIPTION	QTY	APPLICABLE SERIAL NO.	NOTE
1	FATA89B0	ROTATION SHAFT	1		
2	ZSA01OWU	FLAT HEAD HEX SOCKET BOLT M6X20 SUS	3		
3	FJTA26A0	FINE U-NUT (FU09SS)	2		
4	FJMA28A0	NYLON CLAMP SL-14N	1		
5	FJNA55A0	NEEDLE BEARING	2		
6	ZA88JLRU	PAN HEAD SEMS SCREW 3P M4X10 SUS	1		
7	FJNA56A0	THRUST WASHER (AS1109)	4		
8	1A0GYAAV	MONITOR SWING ARM FOR X-CALIBUR V	1		
9	FATB13BV	SPACER FOR ROTATION POLE	1		
10	1A0GYAAV	MONITOR SWING ARM FOR X-CALIBUR V	1		
11	FJNA56A0	THRUST WASHER (AS1109)	4		
12	FJNA55A0	NEEDLE BEARING	2		

VAC PACS (AU-HV3410/3400/3401W)

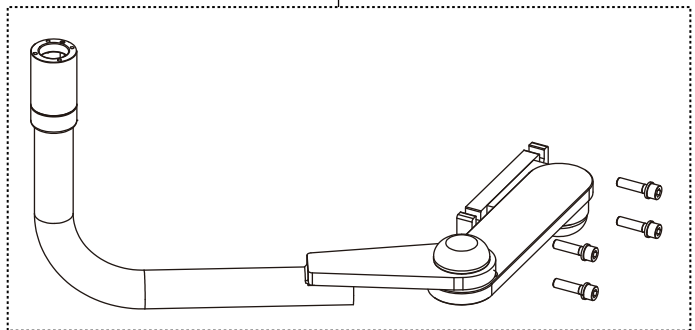


1

2



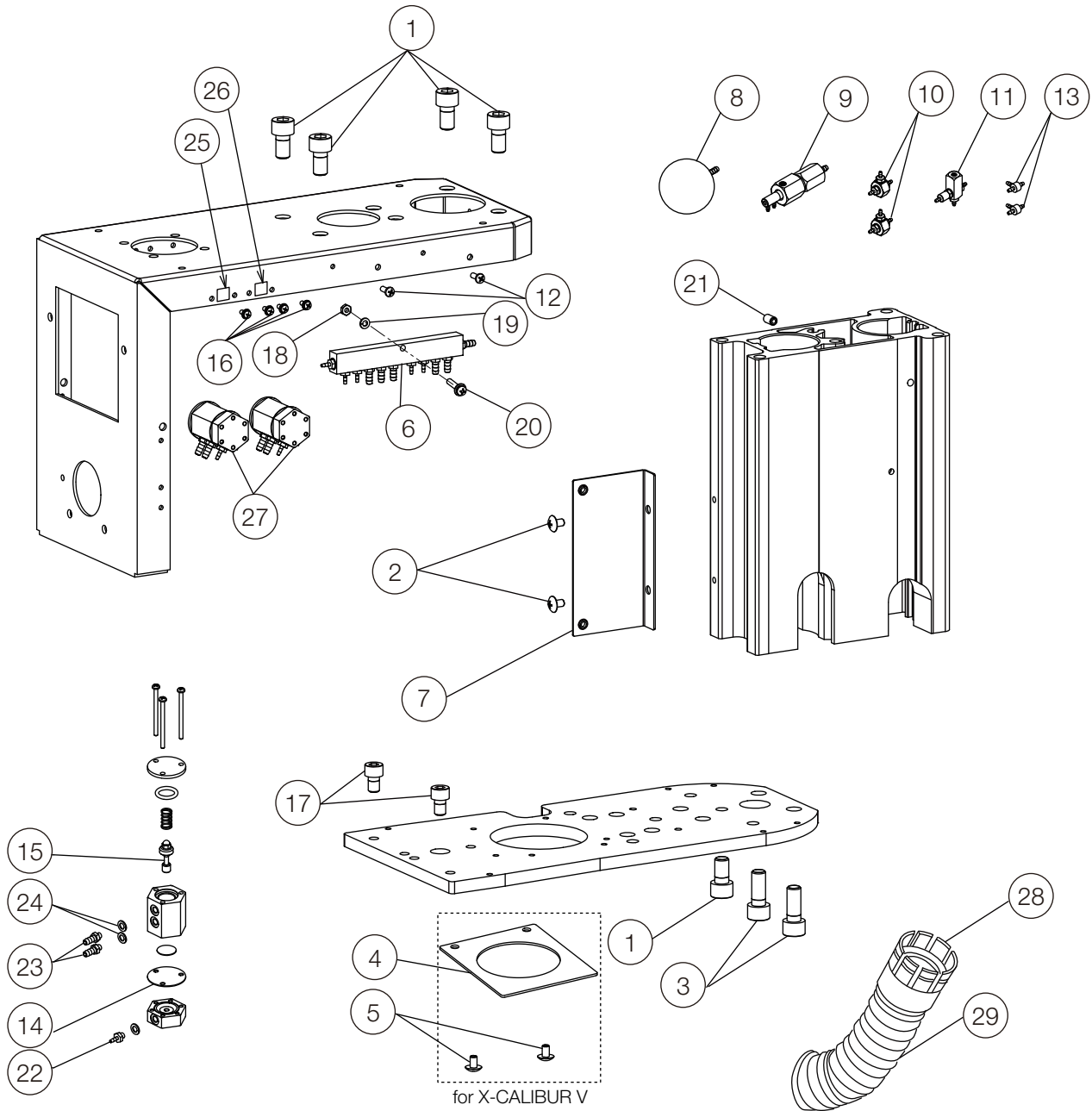
for X-CALIBUR V



for Q5000/Q5500/Q3300

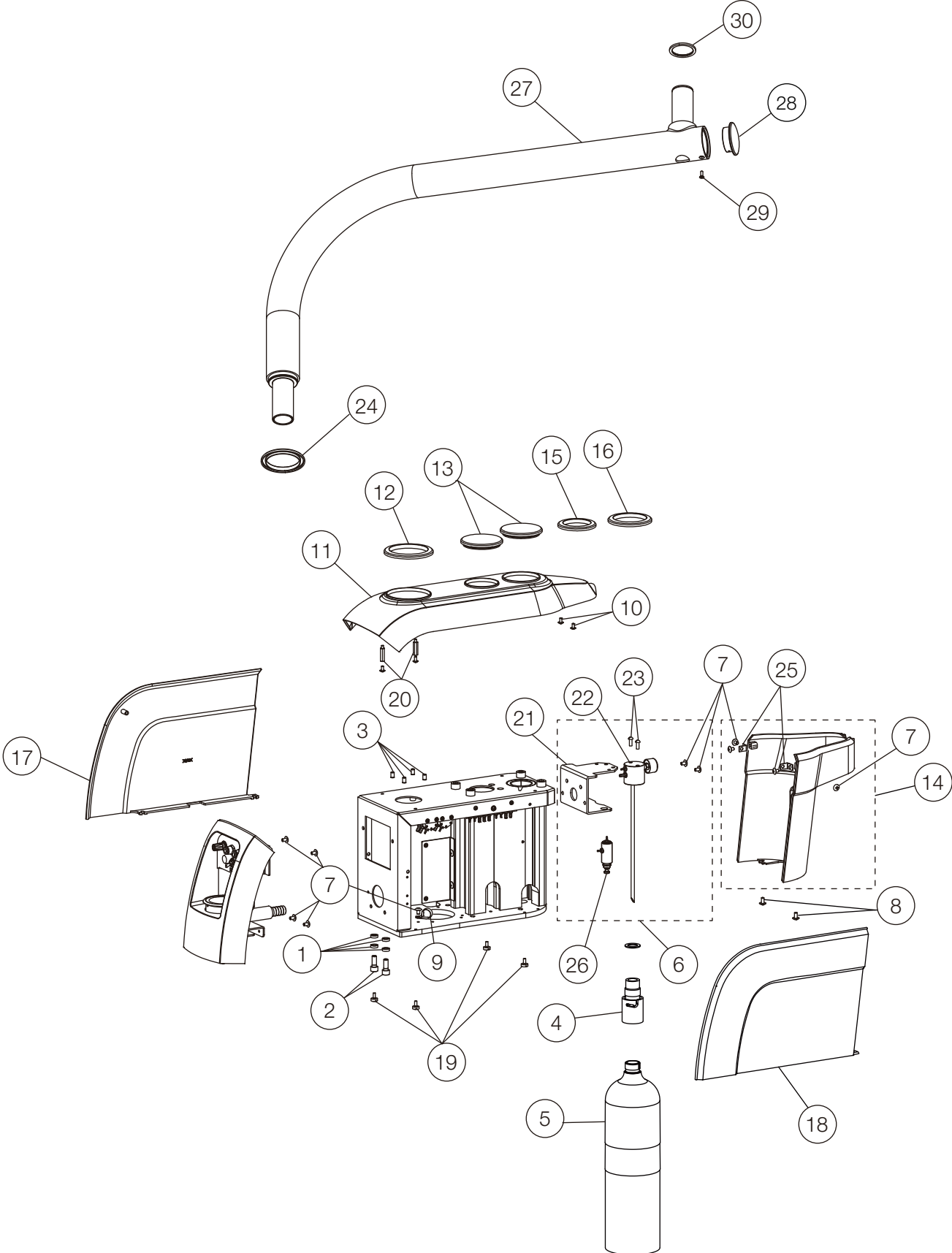
NO.	PARTS NO.	DESCRIPTION	QTY	APPLICABLE SERIAL NO.	NOTE
1	1P06HDA0	VAC PAC ARM ASSEMBLY FOR X-CALIBUR V (CN80)	1		
	1P079GA0	VAC PAC ARM ASSEMBLY FOR X-CALIBUR V (RAL9003)			
2	1P06HCA0	VAC PAC ARM ASSEMBLY FOR Q5000/Q5500/Q3300	1		
3	ZA774OLU	HEX SOCKET SET SCREW (CUP POINT) M6X5 SUS	2		
4	ZA761NYU	SOCKET HEAD SCREW M5X25 SUS	4		
5	ZB511NAU	SPRING WASHER M5 SUS	5		
6	ZB562NAU	WASHER M5 SUS	4		
7	1E015JA0	U-NUT M12 (P1.25) CHROME	1		
8	AERN11A0	THRUST WASHER (AS1101)	2		
9	1E00E5A0	THRUST BEARING (AXK1101)	1		
10	1P04B1A0	VAC PAC BODY ASSEMBLY (CN80)	1		
	1P079HA0	VAC PAC BODY ASSEMBLY (RAL9003)			
11	AFFS22A0	PINCH VALVE	2		USA P-N: D7022
12	ZA761NRU	HEX SOCKET BOLT M5X10 SUS	1		
13	AAFF12BV	VAC PAC BODY BOTTOM FRAME (CN80)	1		
	1A0XP7AV	VAC PAC BODY BOTTOM FRAME (RAL9003)			
14	ZA88JLPU	PAN HEAD SCREW 3P M4X8 SUS	4		
15	AFFS50A0	GROMMET (C30NG79EUL)	1		
16	1P04B2A0	NEEDLE VALVE ASSEMBLY	1		USA P-N: V1511G
17	AFFS26A0	H2O QUICK DISCONNECT 1/4 IN BLUE	1		USA P-N: P1075BLU
18	AFFS27A0	H2O QUICK DISCONNECT 1/4 IN YELLOW	1		USA P-N: P1075YEL
19	1P0587A0	VAC PAC COVER (CN80)	1		
	1P079NA0	VAC PAC COVER (RAL9003)			
20	1P04B3A0	1/4 - 1/4 - 1/8 MANIFOLD	2		
21	AFFS25B0	SOLID COLLECTOR (SIDE)	1	VS18D0005	USA P-N: S1386
22	1A0GTCA0	LIFTING SHAFT FOR VAC PAC SECOND ARM	1		
23	1A0GNDAV	ROTATING SHAFT FOR VAC PAC SECOND ARM (CN80)	1		
	1A0XP7AV	ROTATING SHAFT FOR VAC PAC SECOND ARM (RAL9003)			
24	ZA812OAU	NUT M6 SUS	1		
25	ZA774OVU	CAP POINT SET SCREW M6X18 SUS	1		
26	1A0GNFAV	VAC PAC SECOND ARM (ADC) (CN80)	1		
	1A0XP8AV	VAC PAC SECOND ARM (ADC) (RAL9003)			
27	1E02E1A0	ROUND BELT PHI4 (ORANGE)	0.01m		
28	ZA774NNU	HEX SOCKET SET SCREW (CUP POINT) M5X6 SUS	1		
29	FASA85D0	ASSISTANT HOLDER	1	VS17D0023	
30	ZA887LUY	PAN HEAD SCREW 2P M4X16 CHROME	2		

PMU ASSY 1



NO.	PARTS NO.	DESCRIPTION	QTY	APPLICABLE SERIAL NO.	NOTE
1	ZA761QVU	HEX SOCKET BOLT M10X18 SUS	5		
2	ZA114NPU	TRUSS M5X8 SUS	2		
3	ZA761QYU	HEX SOCKET HEAD SCREW M10X25 SUS	2		
4	1A0H9PBV	BRACKET FOR DUCTING HOSE	1	-	
5	ZA114NNU	TRUSS M5X6 SUS	2		
6	1P04BZA0	PMU MANIFOLD 1	1		
7	1A0H9QB0	BRACKET FOR LIGHT BOARD	1		
8	FAMD80A0	CHAMBER	1		
9	1P04MCA0	VIBRATION ABSORBER ASSEMBLY	1		
10	1P04M9A0	SHUTTLE VALVE ASSEMBLY	2		
11	1P04M8A0	FLOW CONTROL VALVE ASSEMBLY	1		
12	ZA111LRU	PAN HEAD SCREW M4X10 SUS	2		
13	AFFW91A0	1/16 IN BARB TEE PLATED	2		USA P-N: P1875
14	FALI30F0	DIAPHRAGM (OD:28)	2		
15	1P0487A0	SPOOL ASSEMBLY	1		
16	ZA88JJPU	PAN HEAD SEMS SCREW P=3 M3X8 SUS	4		
17	ZA761PSU	HEX SOCKET HEAD SCREW M8X12 SUS	2		
18	ZA812LAU	NUT M4 SUS	1		
19	ZB511LAU	SPRING WASHER	1		
20	ZA88JLWU	PAN HEAD SEMS SCREW P=3 M4X20 SUS	1		
21	ZA774ORU	SET SCREW M6X10 SUS	1		
22	AFFS04A0	1/16 INX10-32 BARB (PLATED)	1		USA P-N: P1052
23	AFFS05A0	1/8 INX10-32 BARB (PLATED)	2		USA P-N: P1053
24	AFFU48A0	WASHER 10-32 (SEAL)	3		USA P-N: P1055
25	FALC86A0	LABEL FOR BOWL FLUSH	1		
26	FALC85A0	LABEL FOR CUPFILLER	1		
27	1P04MAA0	SMALL MASTER VALVE ASSEMBLY	2		
28	FGNA30A0	UMBILICAL HOSE CLAMP	1		
29	X-41350	UMBILICAL HOSE Ø50MM	1		

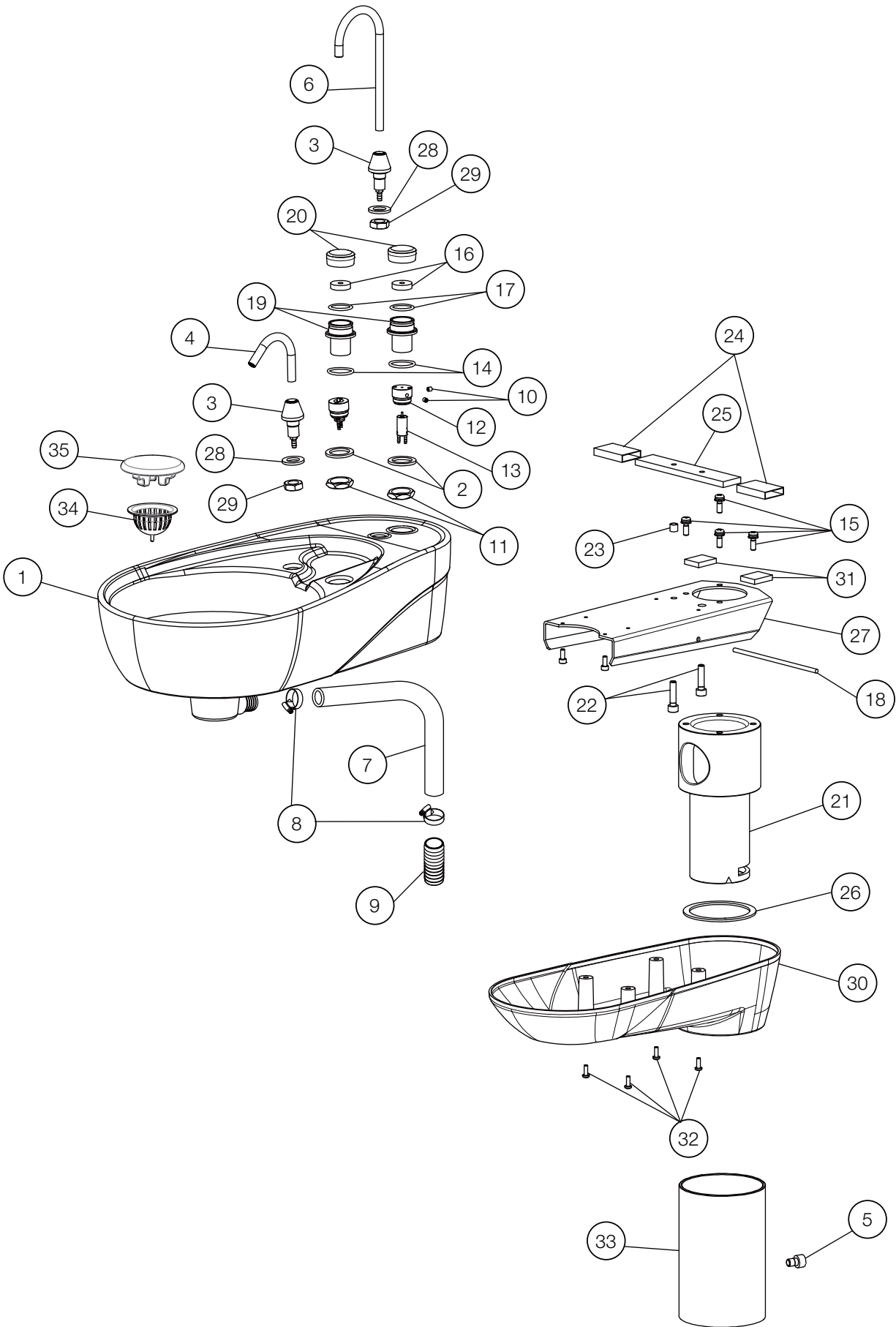
PMU ASSY 2





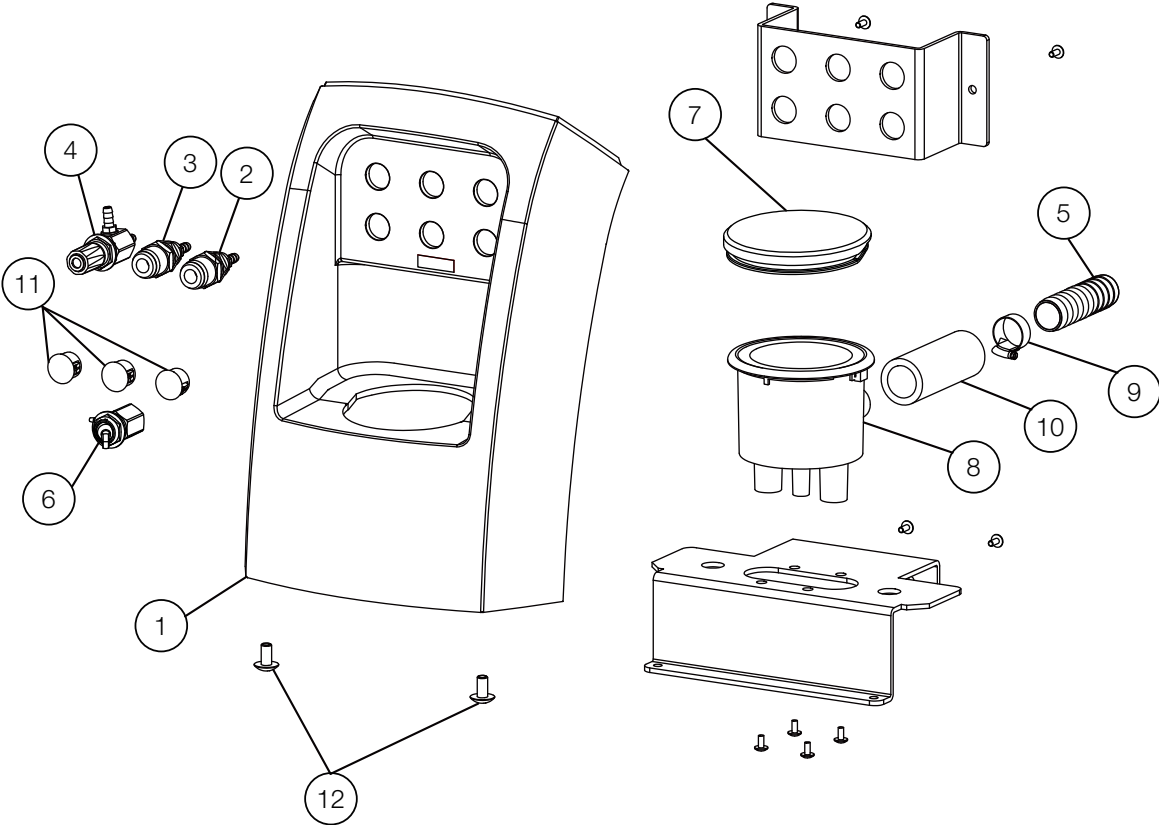
NO.	PARTS NO.	DESCRIPTION	QTY	APPLICABLE SERIAL NO.	NOTE
1	AAET81A0	SPACER FOR ARM STOPPER	4		
2	ZA761PWU	HEX SOCKET HEAD SCREW M8X20 SUS	2		
3	ZA761OSU	CAP BOLT M6X12 SUS	4		
4	AFFV15A0	QUICK COUPLER KIT	1	-	USA P-N: D8941
5	AFFS21B0	WATER BOTTLE 2L	1	-	USA P-N: D8164
6	1P04MDA0	WATER BOTTLE FIXING BRACKET ASSEMBLY	1		
7	ZA114NPU	TRUSS M5X8 SUS	9		
8	ZA114NRU	TRUSS M5X10 SUS	2		
9	Q-31130	NYLON CLAMP (3330 5/8)	1		
10	ZA114LPU	TRUSS M4X8 SUS	4		
11	1A0H9SA0	PMU TOP COVER	1		
12	1A0HAF0	PMU CAP 3	1		
13	1A0HAGA0	PMU CAP 4	2		
14	1P04MGA0	REAR COVER ASSEMBLY	1		
15	1A0HADA0	PMU CAP 1	1		
16	1A0HAEA0	PMU CAP 2	2		
17	1A0H9TA0	PMU RIGHT COVER	1		
18	1A0H9UA0	PMU LEFT COVER	1		
19	AEFY91A0	STRAIGHT SLOT KNURLED HEAD SCREW M5X10	4		
20	1A0GVEA0	M4 SPACER 24MM	2		
21	1A0H9LAV	BRACKET FOR WATER BOTTLE	1		
22	AFFS17A0	WATER BOTTLE HEAD W/ PRESSURE 1/8" NPTF GAUGE PORT	1		USA P-N: RC18041DBEL
23	AFFS19A0	10-32 1/2 SCREW SUS	2		USA P-N: RF-2010
24	1A0HAHA0	PMU CAP 5	1		COVER FOR W/O SPITTOON SPEC.
25	1A0HASB0	BRACKET FOR SIDE COVER	2		
26	1P04ALA0	MINI-AIR REGULATOR W/ BARB AND WASHER	1		
27	1A0HB6AV	FIRST ARM	1		
28	1A0HB7AV	ARM END CAP	1		
29	ZA112LSU	FLAT HEAD SCREW M4X12 SUS	1		
30	AAFT81B0	WASHER FOR ROTATION SHAFT	1	VG16F0001	

PMU BOWL ASSY.



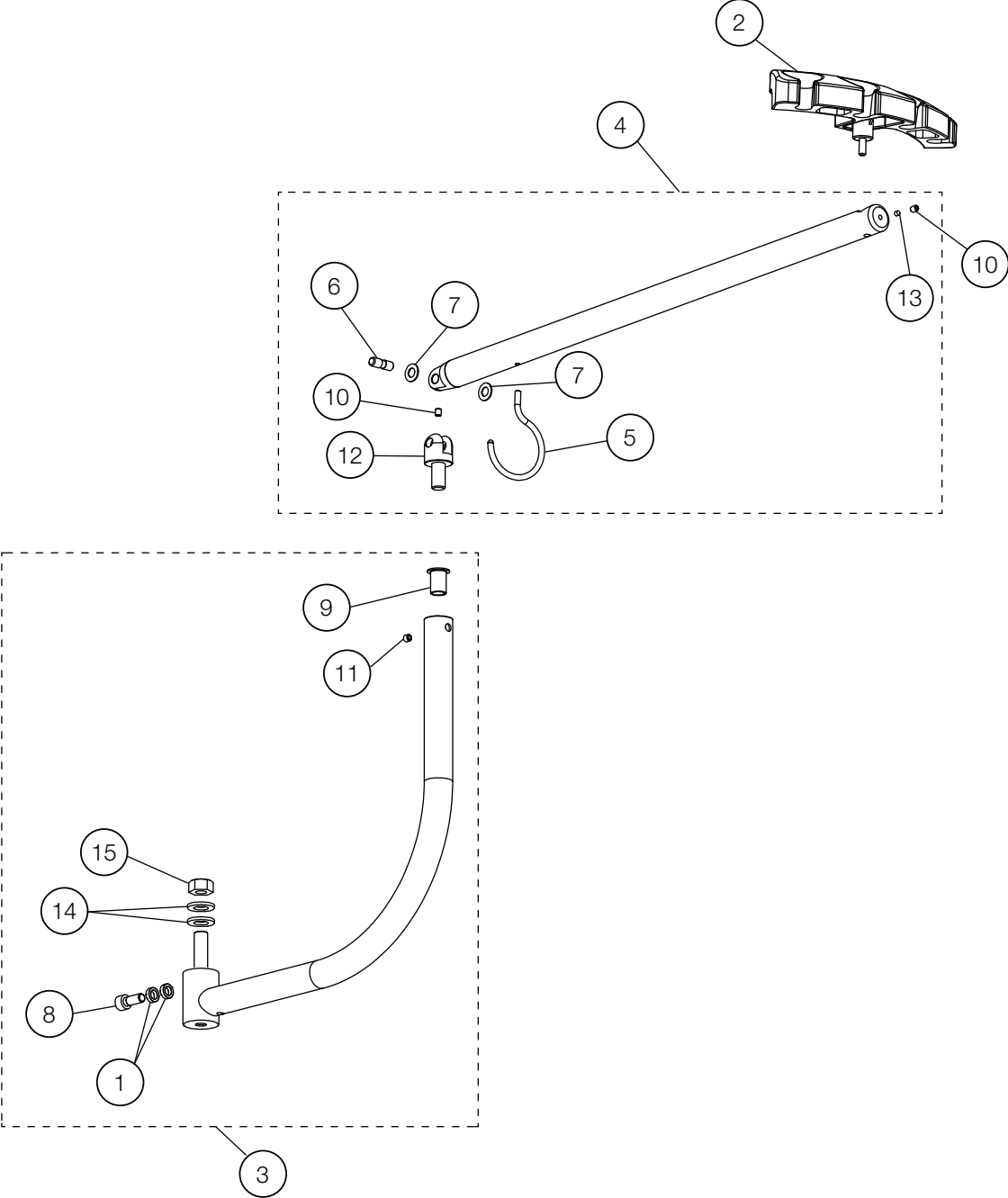
NO.	PARTS NO.	DESCRIPTION	QTY	APPLICABLE SERIAL NO.	NOTE
1	1P04C4A0	BOWL ASSEMBLY	1		
2	1A0J7KA0	WASHER 28X20.2X2.3	2		
3	1P04C2A0	NOZZLE BASE ASSEMBLY	2		
4	1A03WCA0	BOWL FLUSH NOZZLE	1		
5	ZA761OPU	CAP SCREW M6X8 SUS	1		
6	1A03WGA0	CUPFILLER NOZZLE	1		
7	DETR03B0	DRAIN HOSE GRAY (ID:19)	0.4m	-	
8	FJDA06A0	ABA BAND (ID:15-24)	2		
9	1A0HHMA0	DRAIN CONNECTOR	1		
10	ZA774LJU	HEX SOCKET SET SCREW(CUP POINT) M4X4 SUS	2		
11	DAOR93B0	VACUUM SOCKET NUT	2		
12	1A0HA3A0	VALVE BASE	2		
13	1P04C3A0	PILOT VALVE CUP	2		
14	F-10210	O-RING P-22	2		
15	ZA88JN#U	PAN HEAD SEMS SCREW P=3 M5X15 SUS	4		
16	1A03X2A0	SWITCH CUSHION	2		
17	AEER02A0	O-RING 1.9X19.8X23.6	2		
18	1A040TA0	DRAIN SUPPORT BAR	1		
19	1A0HA4A0	SWITCH BASE	2		
20	1A0HA2A0	SWITCH	2		
21	FATA24B0	BOWL ROTATION SHAFT	1		
22	ZA761OYU	CAP BOLT M6X25 SUS	2		
23	AEFS09A0	C-SHAPED SPACER 6X7L	1		
24	DENR15A0	VINYL TUBE BLACK 20X21	0.12m		
25	1A0HHKA0	BOWL FIXING PLATE	1		
26	FACA39A0	ROTATION WASHER	1		
27	1A0HHLA0	BRACKET FOR BOWL	1		
28	ZB561RAY	WASHER 12X22X2.3 CHROME	2		
29	1A03WAA0	NOZZLE BASE NUT	2		
30	1A03XBB0	BOWL BOTTOM COVER	1		
31	1E01JSA0	NORSEAL V716	0.05m		
32	ZA111LRU	PAN HEAD SCREW M4X10 SUS	4		
33	1P04MFA0	BOWL POST ASSEMBLY	1		
34	1A025DB0	DRAIN STRAINER	1		
35	FALC62B0	DRAIN CAP	1		

FRONT COVER



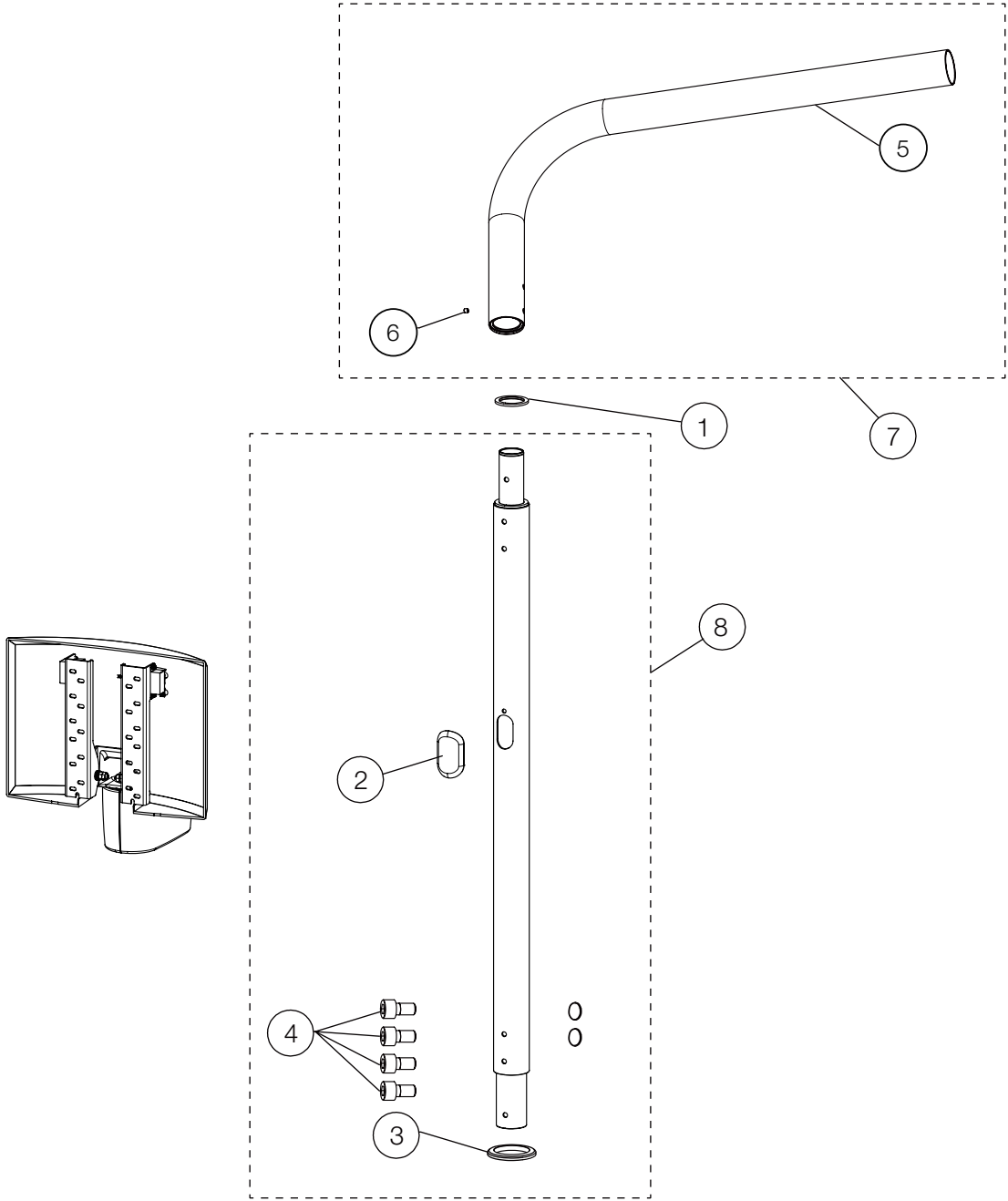
NO.	PARTS NO.	DESCRIPTION	QTY	APPLICABLE SERIAL NO.	NOTE
1	1P04CJA0	PMU FRONT COVER W/LABEL	1		
2	AFFS26A0	H2O QUICK DISCONNECT 1/4 IN BLUE	1		USA P-N: P1075BLU
3	AFFS27A0	H2O QUICK DISCONNECT 1/4 IN YELLOW	1		USA P-N: P1075YEL
4	1P04B2A0	NEEDLE VALVE ASSEMBLY	1		USA P-N: V1511G
5	AFFS39A0	VACUUM HOSE 5/8 SPIROLOCK	0.06m		USA P-N: T1746
6	1P06GNA0	MOMENTARY TOGGLE VALVE ASSEMBLY	1		
7	1A0HAJA0	PMU CAP FRONT	1		
8	AFFS25B0	SOLID COLLECTOR (SIDE)	1	VS18D0005	USA P-N: S1386
9	FJDA06A0	ABA BAND (ID:15-24)	1		
10	AADR14A0	VACUUM HOSE JOINT	1		
11	FEOA24A0	HOLE PLUG DP-500W	3		
12	ZA114NPU	TRUSS M5X8 SUS	2		

PMU ASSISTANT



NO.	PARTS NO.	DESCRIPTION	QTY	APPLICABLE SERIAL NO.	NOTE
1	AAET81A0	SPACER FOR ARM STOPPER	2		
2	FASA85D0	ASSISTANT HOLDER	1		
3	1P04C0A0	ASSISTANT FIRST ARM ASSEMBLY	1		
4	1P04C1A0	ASSISTANT SECOND ARM ASSEMBLY	1		
5	1A0HHBA0	HOSE HOOK	1		
6	FACA48A0	ASSISTANT ARM PIN	1		
7	FJCA12A0	NYLON WASHER 8X16X1	2		
8	ZA761PWU	HEX SOCKET HEAD SCREW M8X20 SUS	1		
9	FJCA10B0	BUSH K5F1220-20	1		
10	ZA774NNU	HEX SOCKET SET SCREW (CUP POINT) M5X6 SUS	2		
11	ZA774OLU	HEX SOCKET SET SCREW (CUP POINT) M6X5 SUS	1		
12	1A0JK4AV	ASSISTANT 2ND SHAFT	1		
13	1E02E1A0	ROUND BELT PHI4 (ORANGE)	0.01m		
14	ZB561RAY	WASHER 12X22X2.3 CHROME	2		
15	1E015JA0	U-NUT M12 (P1.25) CHROME	1		

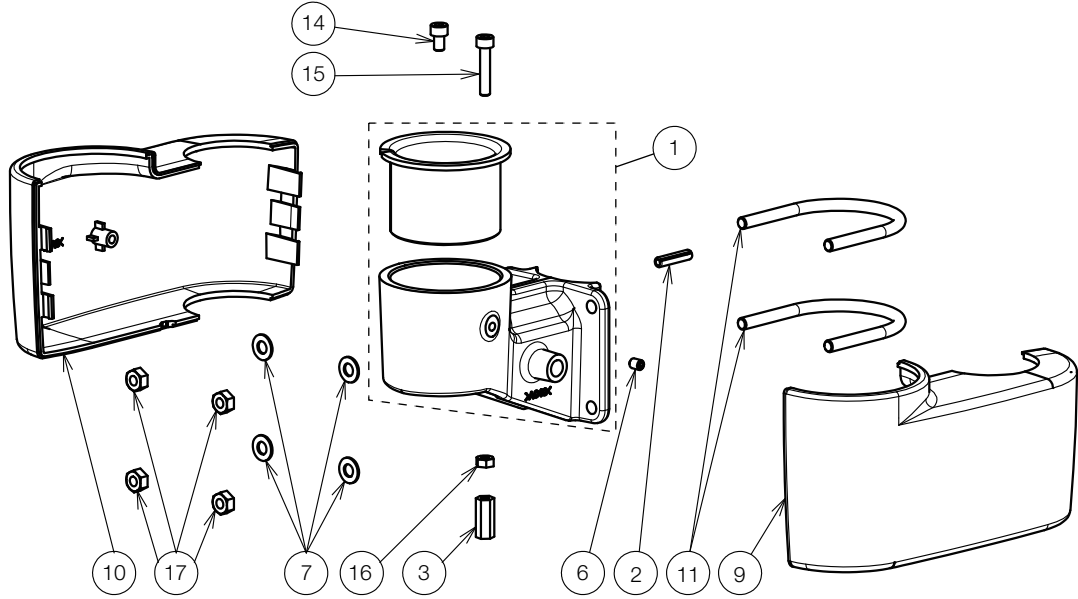
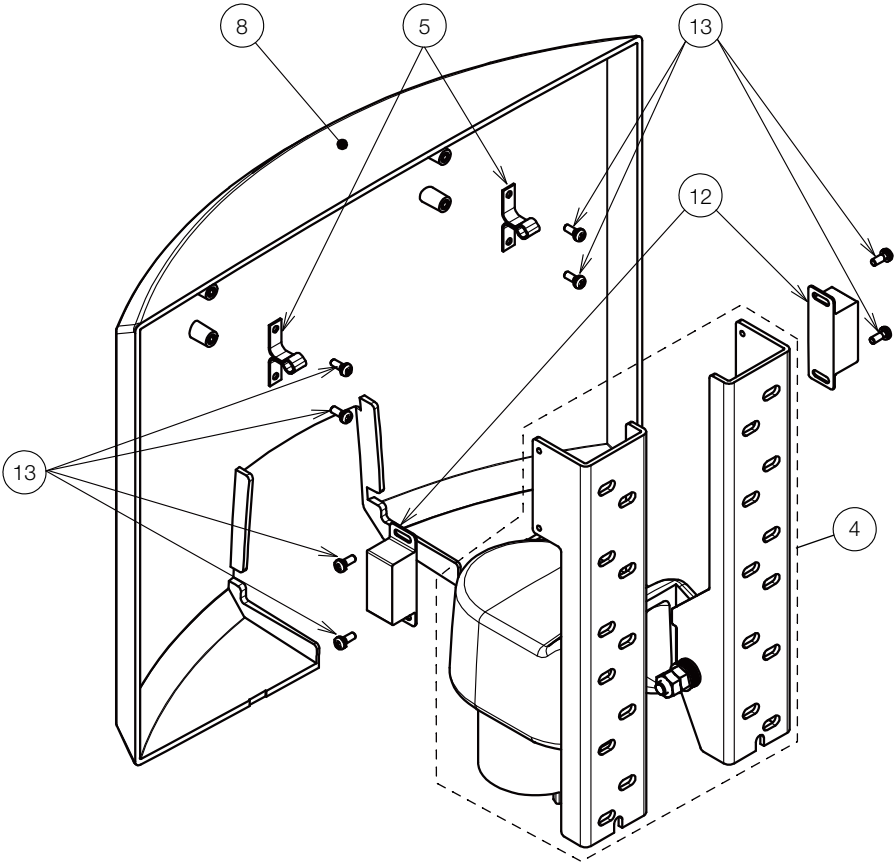
LIGHT POST ASSY.





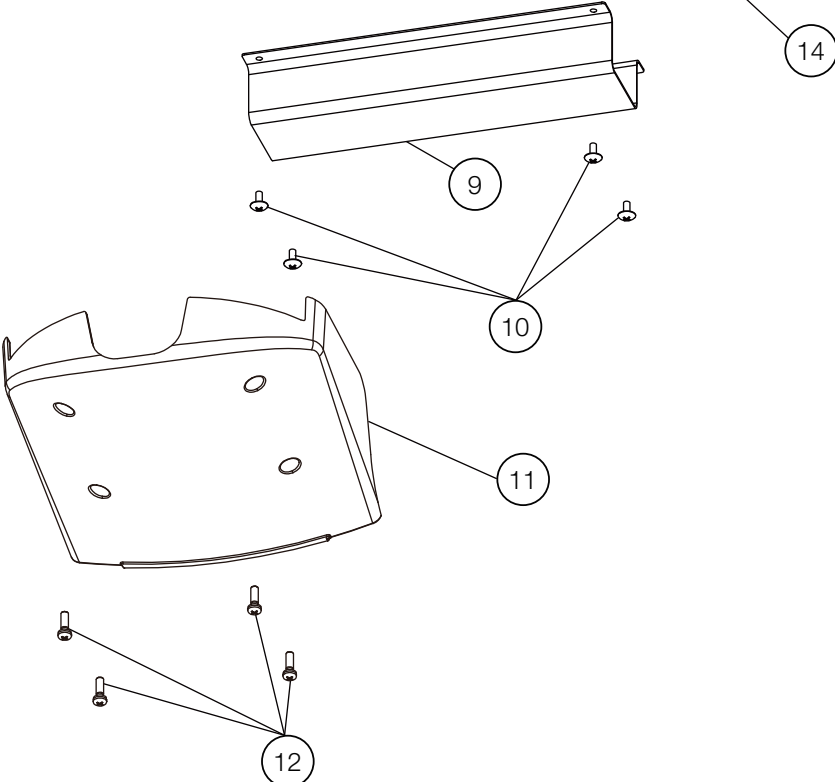
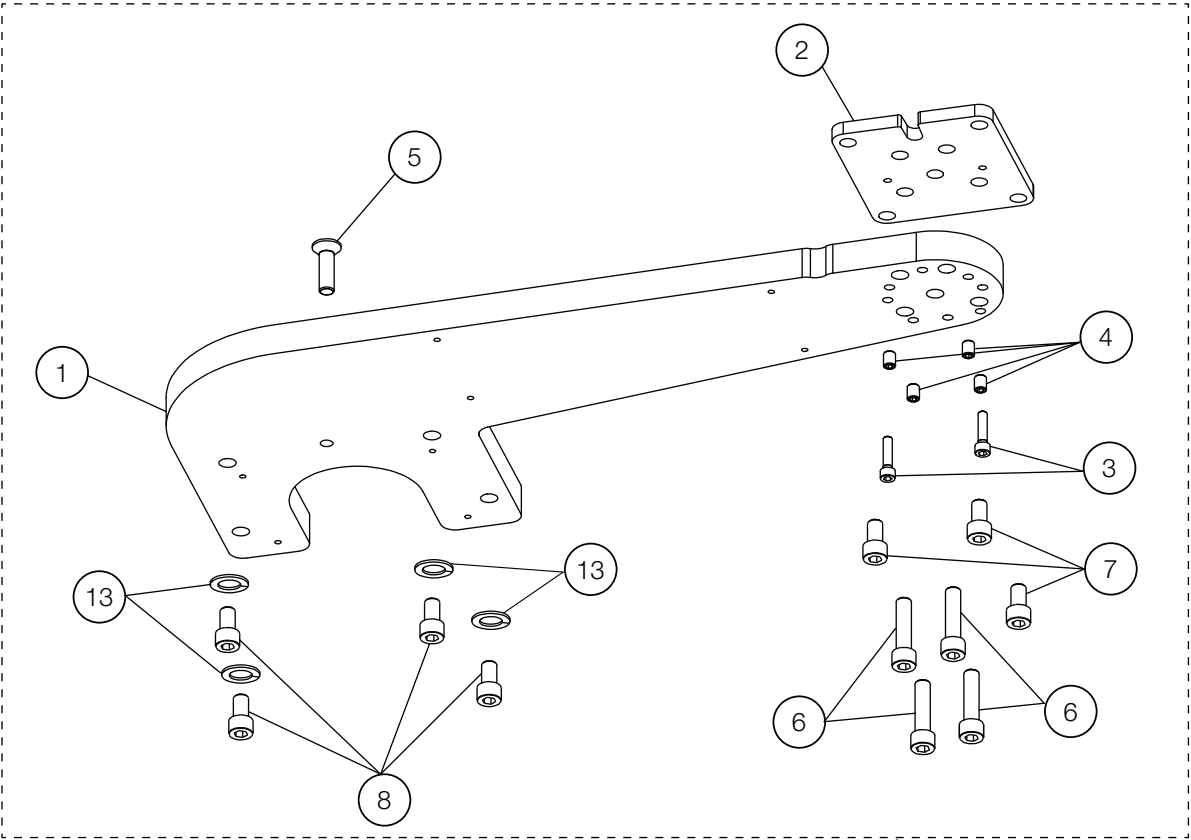
NO.	PARTS NO.	DESCRIPTION	QTY	APPLICABLE SERIAL NO.	NOTE
1	AAFU04B0	ROTATION WASHER	1		
2	FACC50A0	CAP FOR W/O MONITOR TYPE	1		
3	1A0HADA0	PMU CAP 1	1		
4	1E03ECA0	HEX SOCKET BOLT M6X15 SUS	4		
5	1P04BXA0	L SHAPED POLE ASSEMBLY	1		
6	ZA774OLU	HEX SOCKET SET SCREW (CUP POINT) M6X5 SUS	1		
7	1P04BXA0	L SHAPED POLE W/SCREW	1		
8	1P059BA0	LIGHT POST ASSEMBLY	1		

MONITOR BRACKET



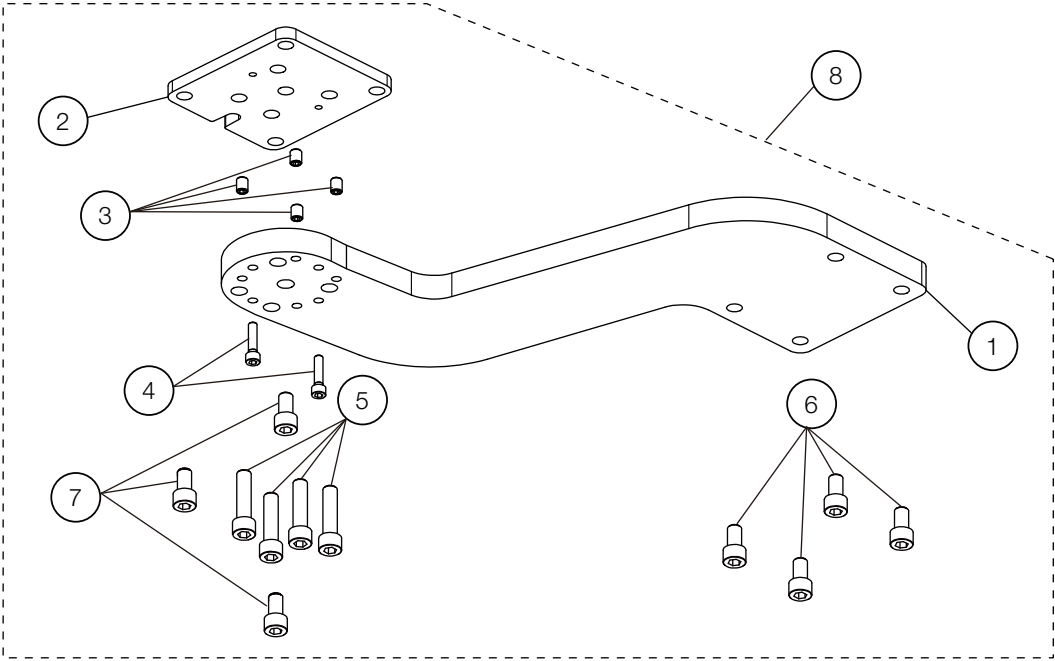
NO.	PARTS NO.	DESCRIPTION	QTY	APPLICABLE SERIAL NO.	NOTE
1	1P05UEA0	MONITOR BRACKET ASSY	1		
2	ZG081NXG	ROLL PIN M5x22 BLACK	1		
3	1E079TA0	HEX SPACER	1		
4	1P05UCA0	ROTATION BRACKET ASSY	1		
5	1E00E3A0	CLIP FOR BRACKET	2		
6	ZA771NNU	HEX SOCKET HEAD SCREW (FLAT) M5x6 SUS	1		
7	ZB562OAY	WASHER M6x13x1.0 CHROME	10		
8	1A0X4UA0	COVER FOR MONITOR	1		
9	1A0X4TA0	LEFT COVER FOR MONITOR ARM BRACKET	1		
10	1A0X4SA0	RIGHT COVER FOR MONITOR ARM BRACKET	1		
11	1A0PJ7B0	POLE BAND	2		
12	1E00E3A0	CLIP FOR BRACKET	2		
13	ZA887JPY	PAN HEAD SEMS SCREW 2P M3x8 CHROME	8		
14	ZA761NPG	SOCKET HEAD SCREW M5x8 BLACK	1		
15	ZA761NYY	SOCKET HEAD SCREW M5x25 CHROME	1		
16	ZA812NAY	NUT M5 CHROME	1		
17	ZA812OAY	NUT M6 CHROME	8		

PMU CHAIR BRACKET FOR Q5000/Q5500/Q3300 (AU-HV3902)

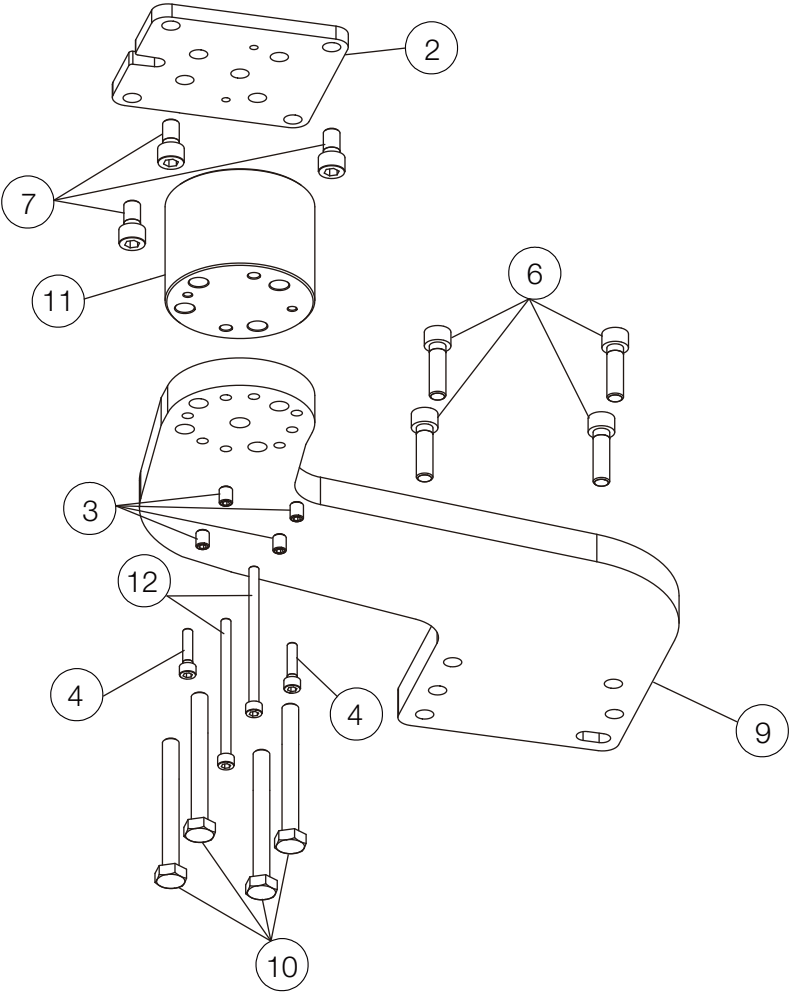


NO.	PARTS NO.	DESCRIPTION	QTY	APPLICABLE SERIAL NO.	NOTE
1	1A0HA9BV	MOUNTING BRACKET (AU-HV3902)	1		
2	1A0HAAAV	PMU BASE PLATE 2	1		
3	ZA761OYU	CAP BOLT M6X25 SUS	2		
4	ZA771PRU	HEX SOCKET SET SCREW(FLAT) M8X10 SUS	4		
5	ZSA01Q1U	FLAT HEAD SOCKET CAP SCREW M10X35 SUS	1		
6	ZA761Q5Y	HEX SOCKET HEAD SCREW M10X55 CHROME	4		
7	ZA761QVU	HEX SOCKET BOLT M10X18 SUS	3		
8	ZA761Q2G	HEX SOCKET HEAD SCREW M10X40 BLACK	4		
9	1A0HC7AV	HOSE COVER	1		
10	ZA114NNU	TRUSS M5X6 SUS	4		
11	AAFB95C0	HOSE COVER	1		
12	ZA887NUU	PAN HEAD SEMS SCREW 2P M5X16 SUS	4		
13	ZB511QAY	SPRING WASHER M10 CHROME	4		
14	1P04BVA0	PMU MOUNT ASSEMBLY FOR Q5000 / Q5500 / Q3300	1		

PMU BRACKET FOR PRO II (AU-HV3901)



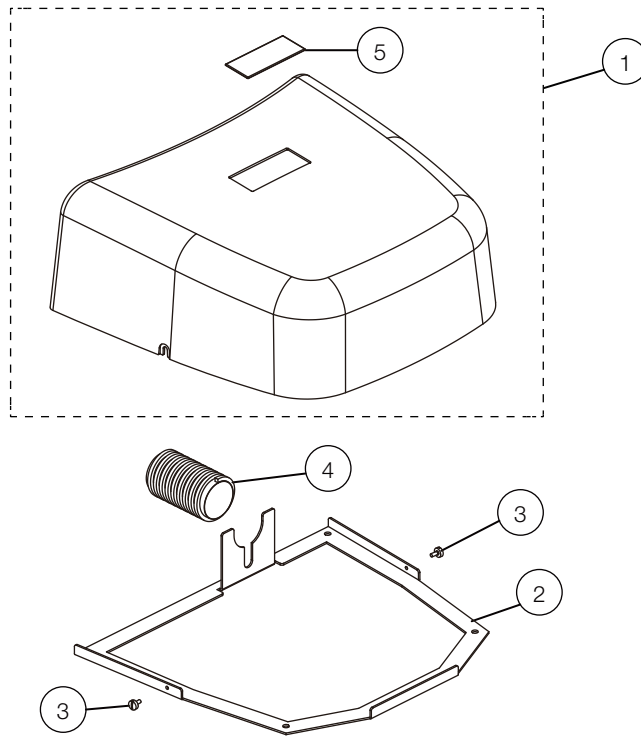
PMU CHAIR BRACKET FOR X-CALIBUR V / PRO III (AU-HV3901N)



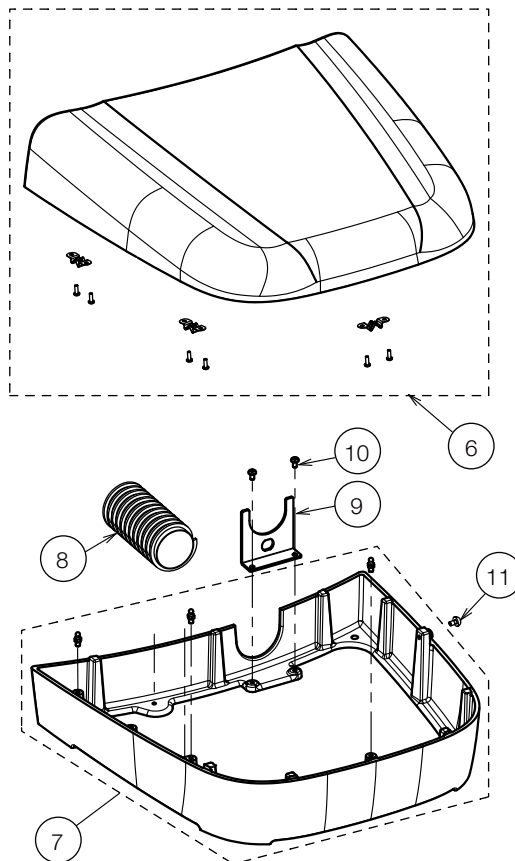
NO.	PARTS NO.	DESCRIPTION	QTY	APPLICABLE SERIAL NO.	NOTE
1	1A0HJ9CV	MOUNTING BRACKET (AU-HV3901)	1	-	
2	1A0HAAAV	PMU BASE PLATE 2	1		
3	ZA771PRU	HEX SOCKET SET SCREW(FLAT) M8X10 SUS	4		
4	ZA761OYU	CAP BOLT M6X25 SUS	2		
5	ZA761Q5Y	HEX SOCKET HEAD SCREW M10X55 CHROME	4		
6	ZA761Q1Y	HEX SOCKET HEAD SCREW M10X35 CHROME	4		
7	ZA761QVU	HEX SOCKET BOLT M10X18 SUS	3		
8	1P04BUA0	PMU MOUNT ASSEMBLY	1		
9	1A0HJ9CV	MOUNTING BRACKET (AU-HV3901N)	1	-	
10	ZA80AQ+Y	HEX SCREW M10X120 CHROME	4		
11	1A0TA3A0	PMU BASE SPACER	1		FOR PRO III
12	1E07RUA0	HEX SOCKET HEAD SCREW M6X95 SUS	2		FOR PRO III

JUNCTION BOX FOR Q5000/Q5500/Q3300

AU-HV3950



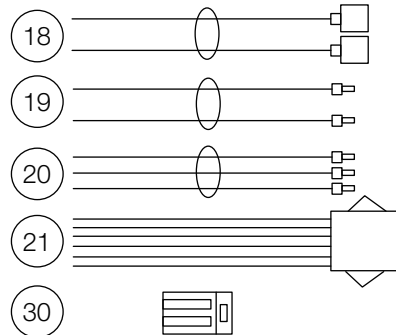
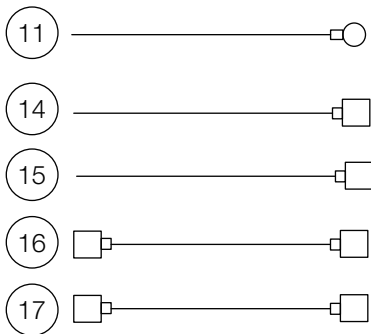
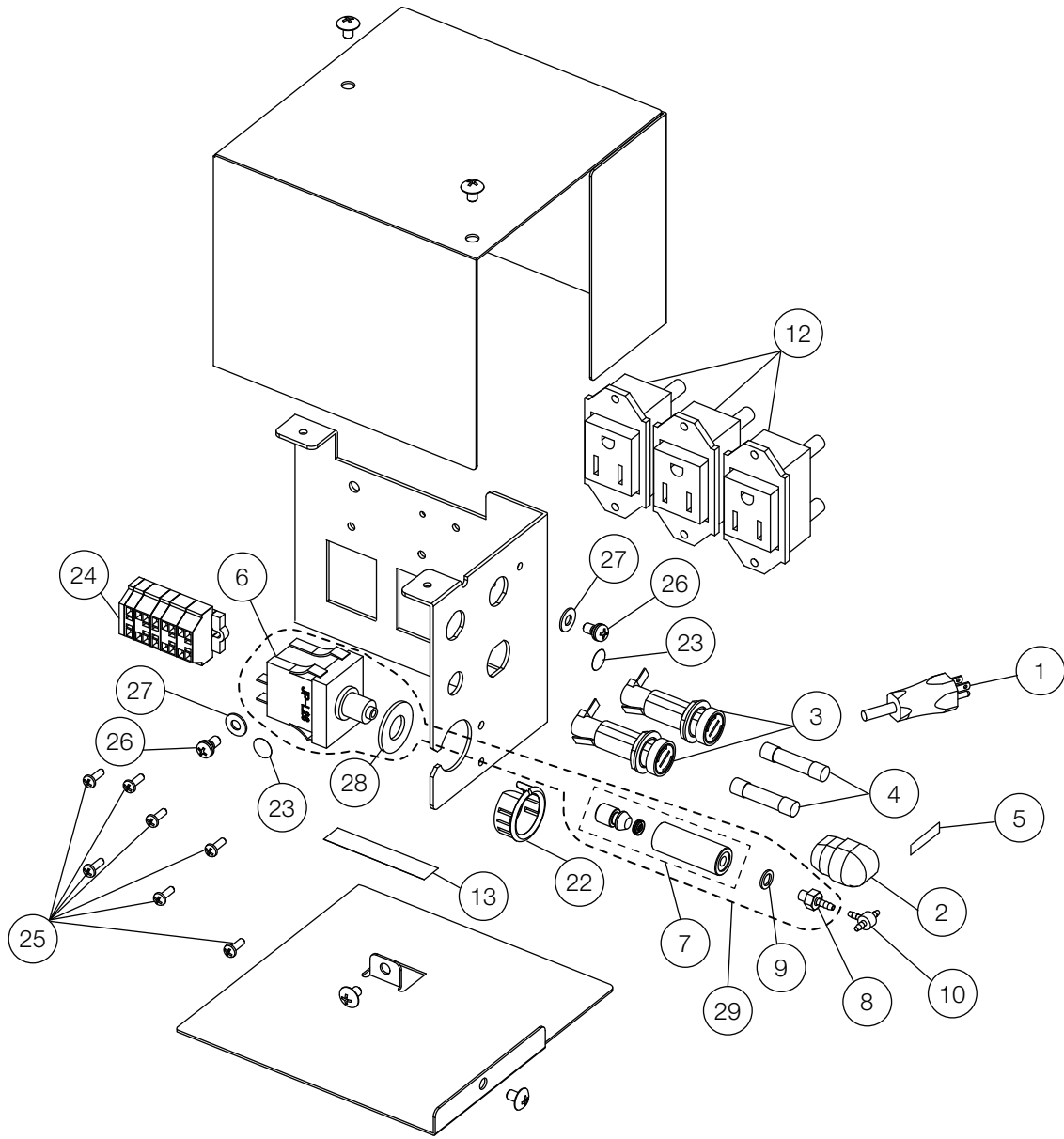
AU-HV3950Q





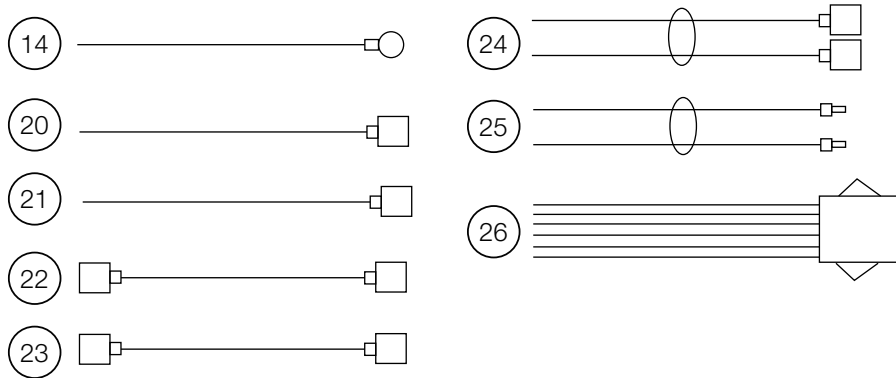
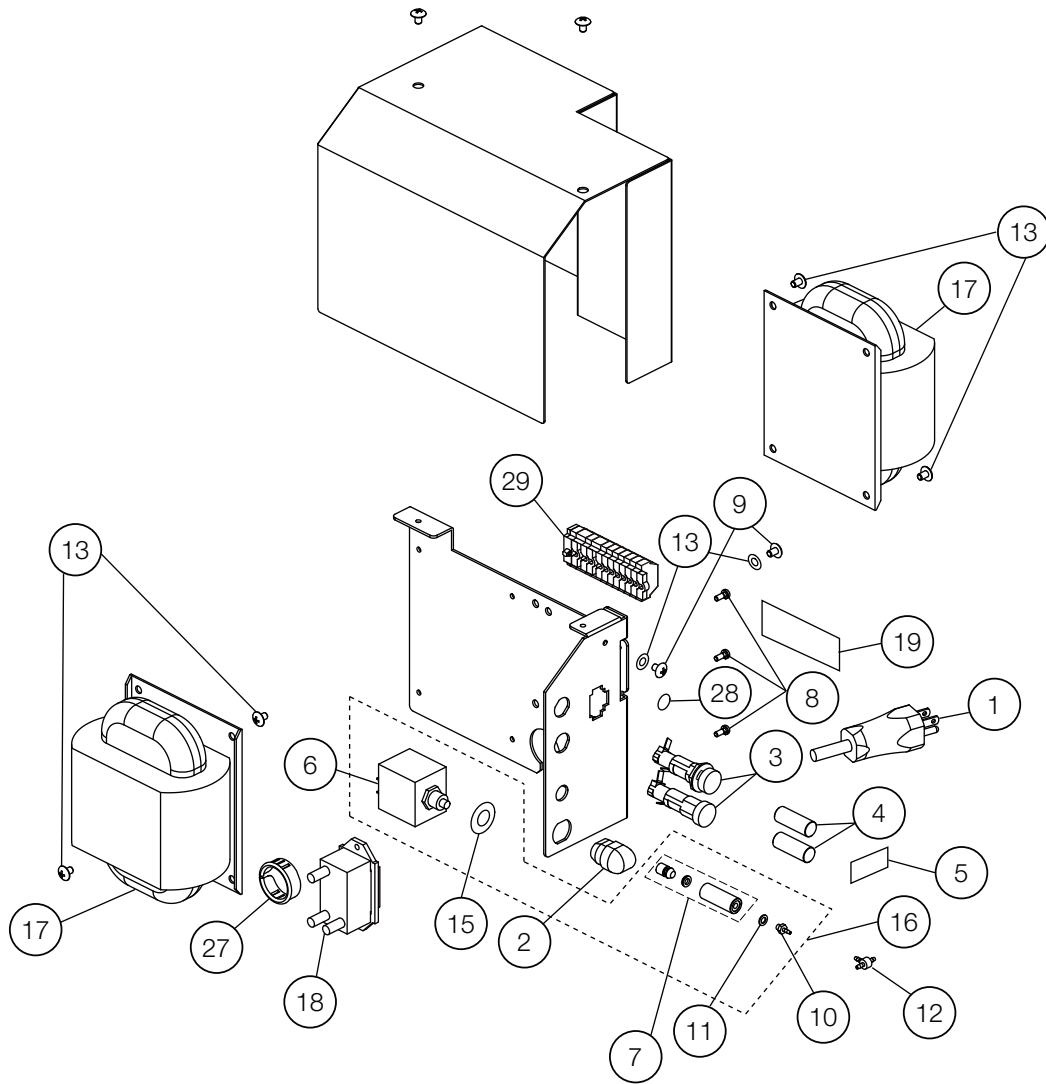
NO.	PARTS NO.	DESCRIPTION	QTY	APPLICABLE SERIAL NO.	NOTE
1	1P045BA0	J-BOX COVER W/LOGO	1		
2	1A0GN8AV	JUNCTION FRAME	1		
3	AEFY91A0	STRAIGHT SLOT KNURLED HEAD SCREW M5X10	2		
4	X-41350	UMBILICAL HOSE $\Phi$ 50MM	0.8m		
5	1A0HC9A0	LOGO LABEL	1		
6	1P0728A0	COVER WITH PIN CATCHES FOR JUNCTION BOX	1		
7	1P073GA0	FRAME WITH PINS FOR JUNCTION BOX	1		
8	X-41350	UMBILICAL HOSE (30M/LOT)	0.6m		
9	1A0V58A0	BRACKET FOR HOSE	1		
10	ZA887NRY	PAN HEAD SEMS SCREW 2P M5X10 CHROME	2		
11	ZA114NRY	TRUSS M5X10 CHROME	1		

POWER SUPPLY BOX FOR DR. TABLE ACCESSORIES (AU-HV3808)



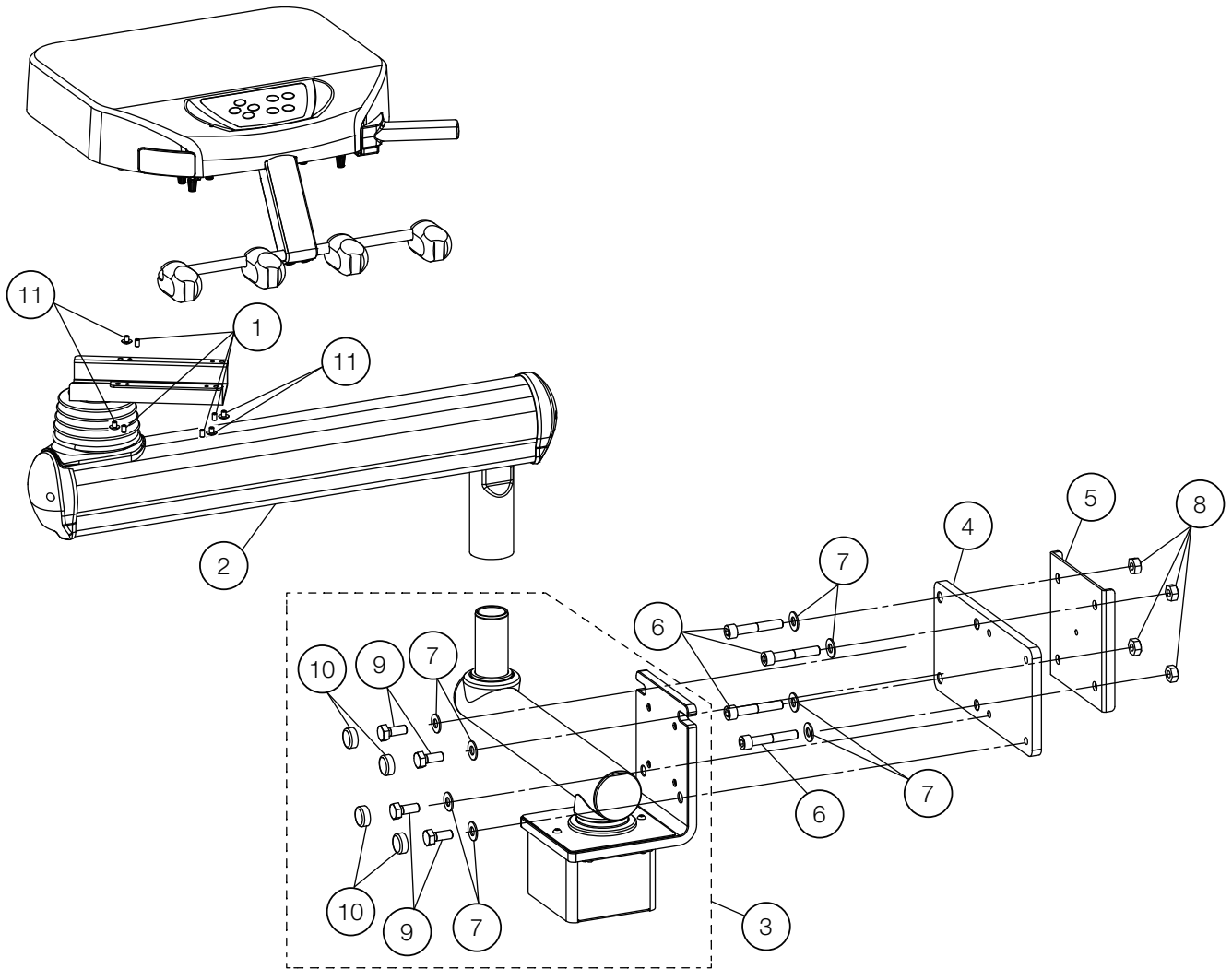
NO.	PARTS NO.	DESCRIPTION	QTY	APPLICABLE SERIAL NO.	NOTE
1	1E00CNB0	POWER CABLE (UL/CSA)	1		
2	AFNA70A0	CORD BUSH (SR-11-2)	1		
3	AEFR92A0	FUSE HOLDER MF-530	2		
4	AFFT64A0	FUSE 6A 250V UL CSA	2		
5	1A0HEPA0	FUSE LABEL	1		
6	1A0H4TB0	AIR SWITCH (JP-L26B AK-144)	1	VG16C0031	
7	1P06J7A0	AIR SWITCH ASSEMBLY	1	VU19A0030	
8	AFFS04A0	1/16 INX10-32 BARB (PLATED)	1		USA P-N: P1052
9	AFFU48A0	WASHER 10-32 (SEAL)	1		USA P-N: P1055
10	AFFW91A0	1/16 IN BARB TEE PLATED	1		USA P-N: P1875
11	ANFT83A0	EARTH WIRE (J-BOX)	1		
12	AFNA12A0	OUTLET (WHITE)	3		
13	1A0HENA0	CAUTION LABEL FOR POWER OUTLET	1		
14	1A0HCVB0	TRUNK LINE L FOR FUSE HOLDER	1	-	
15	1A0HCWB0	TRUNK LINE N FOR FUSE HOLDER	1	-	
16	1A0HCXB0	TRUNK LINE L FOR FUSE HOLDER - POWER SWITCH	1	-	
17	1A0HCYA0	TRUNK LINE N FOR FUSE HOLDER - POWER SWITCH	1		
18	1A0HCZA0	TRUNK LINE FOR POWER SWITCH	1		
19	1A0HD0B0	TRUNK LINE FOR OUTLET	1	-	
20	1A0MGZA0	OUTLET LINE W/ E	2		
21	1A0HD1A0	TRUNK LINE FOR POWER LINE (SECONDARY)	1		
22	AEFR78A0	SNAP BUSHING OCB 875	1		
23	AARA00A0	EARTH MARK	2		
24	1P04YDA0	CAGE CLAMP ASSEMBLY	1		
25	ZA115JPU	BINDING HEAD SCREW M3X8 SUS	7		
26	ZA88JLNM	PAN HEAD SEMS SCREW M4X6 BSNI	2		
27	ZB552LAY	EXTERNAL TOOTH LOCK WASHER M4	2		
28	ZB551QAY	INTERNAL TOOTH LOCK WASHER M10	1		
29	1P04QA0	MAIN AIR SWITCH ASSEMBLY	1		
30	1E04HWA0	CONNECTOR (WF-2/WAGO)	2		

OLD STYLE POWER SUPPLY BOX FOR DR. TABLE ACCESSORIES (AU-HV3807)



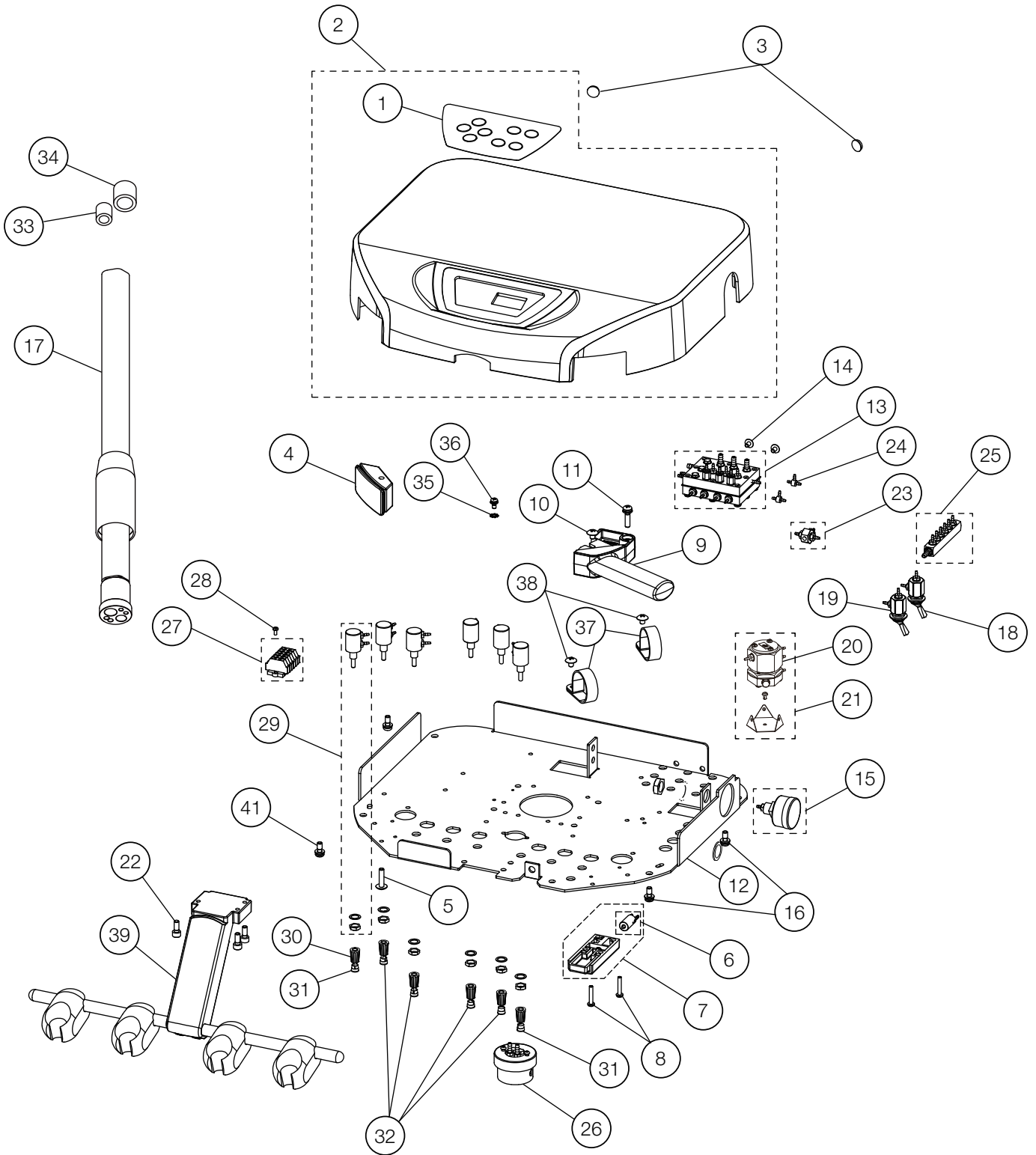
NO.	PARTS NO.	DESCRIPTION	QTY	APPLICABLE SERIAL NO.	NOTE
1	1E00CNB0	POWER CABLE (UL/CSA)	1		
2	AFNA70A0	CORD BUSH (SR-11-2)	1		
3	AEFR92A0	FUSE HOLDER MF-530	2		
4	AFFT64A0	FUSE 6A 250V UL CSA	2		
5	1A0HEPA0	FUSE LABEL	1		
6	1A0H4TB0	AIR SWITCH (JP-L26B AK-144)	1	VG16C0031	
7	1P06J7A0	AIR SWITCH ASSEMBLY	1	VU19A0030	
8	ZA115JPU	BINDING HEAD SCREW M3X8 SUS	3		
9	ZA88JLNM	PAN HEAD SEMS SCREW M4X6 BSNI	2		
10	AFFS04A0	1/16 INX10-32 BARB (PLATED)	1		USA P-N: P1052
11	AFFU48A0	WASHER 10-32 (SEAL)	1		USA P-N: P1055
12	AFFW91A0	1/16 IN BARB TEE PLATED	1		USA P-N: P1875
13	ZB552LAY	EXTERNAL TOOTH LOCK WASHER M4	2		
14	ANFT83A0	EARTH WIRE (J-BOX)	1		
15	ZB551QAY	INTERNAL TOOTH LOCK WASHER M10	1		
16	1P04AQA0	MAIN AIR SWITCH ASSEMBLY	1		
17	1A06HKA0	TRANSFORMER NK-020A	2		
18	AFNA12A0	OUTLET (WHITE)	1		
19	1A0HENA0	CAUTION LABEL FOR POWER OUTLET	1		
20	1A0HCVB0	TRUNK LINE L FOR FUSE HOLDER	1	-	
21	1A0HCWB0	TRUNK LINE N FOR FUSE HOLDER	1	-	
22	1A0HCXB0	TRUNK LINE L FOR FUSE HOLDER - POWER SWITCH	1	-	
23	1A0HCYA0	TRUNK LINE N FOR FUSE HOLDER - POWER SWITCH	1		
24	1A0HCZA0	TRUNK LINE FOR POWER SWITCH	1		
25	1A0HD0B0	TRUNK LINE FOR OUTLET	1	-	
26	1A0HD1A0	TRUNK LINE FOR POWER LINE (SECONDARY)	1		
27	XX-38724035	SNAP BUSHING (OCB 1000)	1		
28	AARA00A0	EARTH MARK	1		
29	1P04ARA0	CAGE CLAMP ASSEMBLY	1		

12-1. SIDE DELIVERY



NO.	ID	PARTS NO.	DESCRIPTION	QTY	APPLICABLE SERIAL NO.	NOTE
1	F23	- ZA774NPU	HEX SOCKET SET SCREW(CUP POINT) M5X8 SUS	4		
2	F22	- 1P06HQA0	BALANCE ARM ASSEMBLY	1		
3	F22	- 1P059FA0	MOUNTING BRACKET ASSEMBLY	1		
4	F22	- 1A0NA3BV	MOUNTING PLATE	1		
5	F22	- 1A0NA2A0	REINFORCE PLATE	1		
6	F23	- ZA761Q6U	HEX SOCKET HEAD CAP M8X12 SUS	4		
7	F23	- ZB562QAU	WASHER M10X22X1.6 SUS	8		
8	F23	- ZA812QAU	NUT M10 SUS	4		
9	F23	- ZA80AQYU	HEX HEAD BOLT M10X25 SUS	4		
10	F23	- DENR03BA	BOLT CAP	4		
11	F23	- ZA114NPU	TRUSS M5X8 SUS	4		

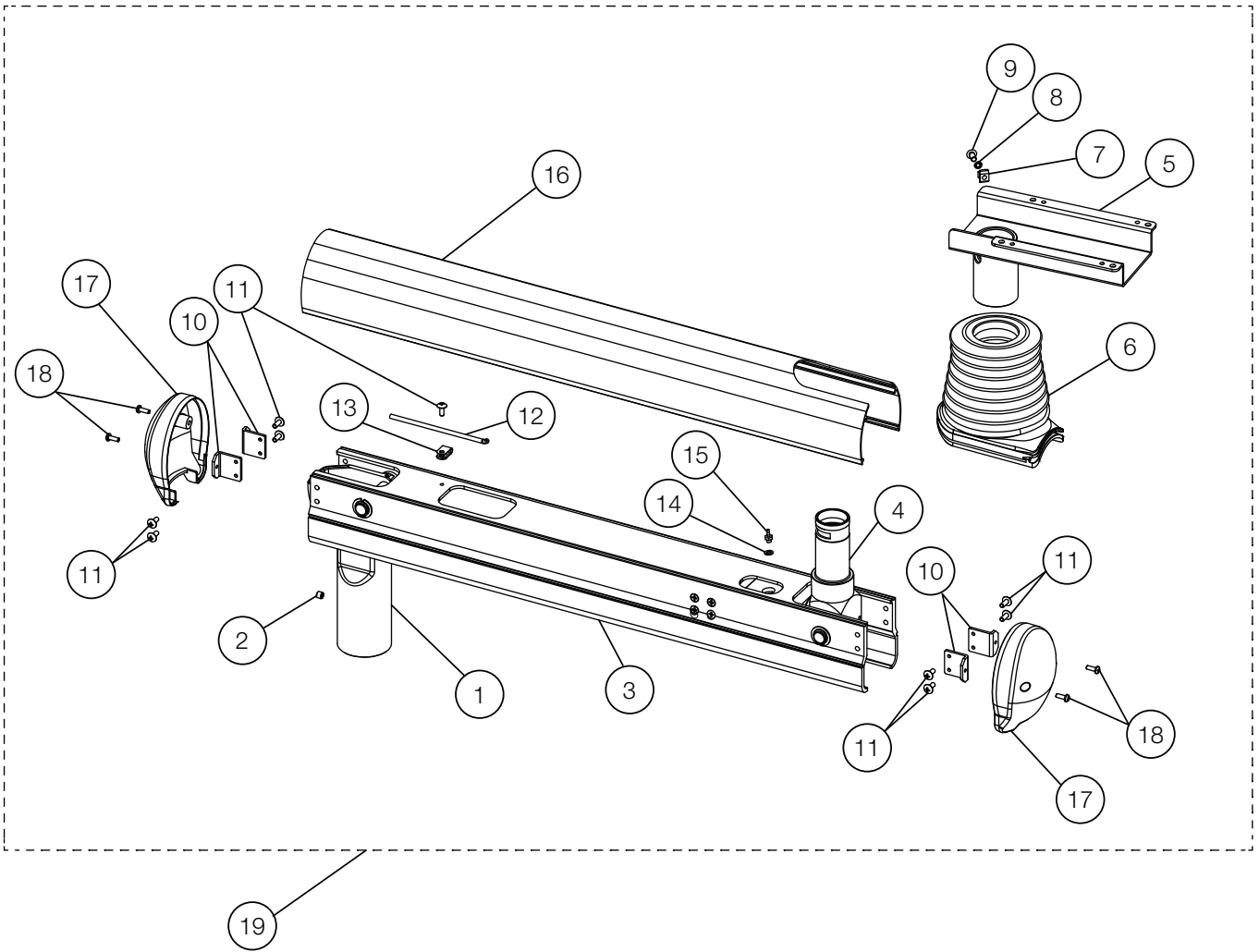
# DOCTOR TABLE





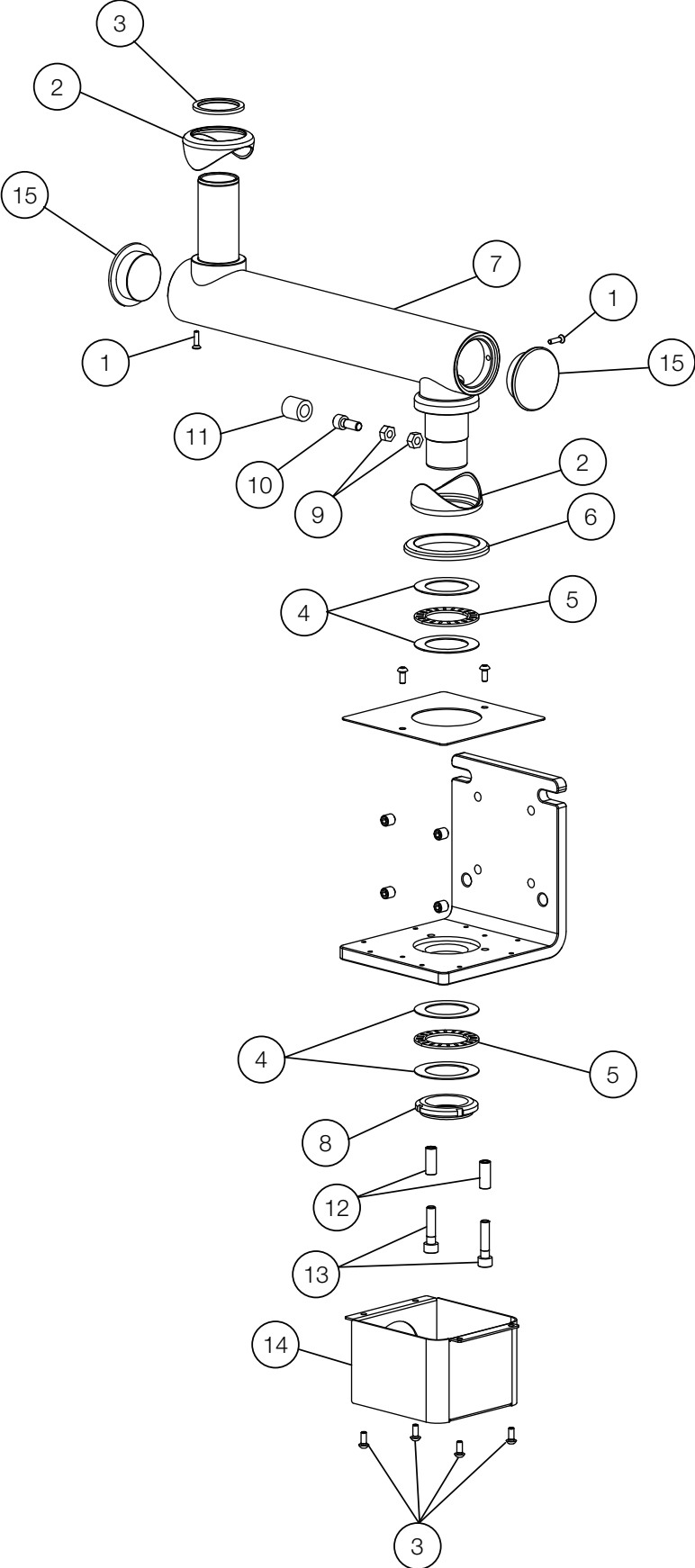
NO.	PARTS NO.	DESCRIPTION	QTY	APPLICABLE SERIAL NO.	NOTE
1	1A0GNHA0	DOCTOR MEMBRANE SWITCH	1		
2	1P0458A0	TABLE TOP WITH MEMBRANE SWITCH	1		
3	FJBA04A0	RUBBER CUSHION	2	VS18J0064	
4	1A0N9YA0	RUBBER COVER	1		
5	ZA114NWU	TRUSS M5X20 SUS	1		
6	1P04AUA0	MICRO PILOT VALVE	1		
7	1P045AA0	AIR BRAKE ASSEMBLY	1		
8	ZA111LWU	PAN HEAD SCREW M4X20 SUS	2		
9	1A0GNBAV	TABLE HANDLE	1		
10	ZA114NNU	TRUSS M5X6 SUS	1		
11	ZA887NXY	PAN HEAD SEMS SCREW 2P M5X22 CHROME	1		
12	1A0NACAV	TABLE CHASSIS	1		
13	1P053SA0	AUTO SELECT VALVE ASSEMBLY FOR 3 HP TUBINGS (EXCEPT FOR SYRINGE)	1		
	1P04DYA0	AUTO SELECT VALVE ASSEMBLY FOR 4 HP TUBINGS (EXCEPT FOR SYRINGE)			
14	ZA114LNU	TRUSS M4X6 SUS	2		
15	1P04AXA0	PRESSURE GAUGE ASSEMBLY	1		
16	ZA88JNSU	PAN HEAD SCREW M5X10 SUS	4		
17	AFFS02A0	HANDPIECE TUBING STRAIGHT 7FT W	3		USA P-N: D432T
18	1P06HRA0	TOGGLE VALVE ASSEMBLY (MAIN SWITCH)	1		
19	1P06HSA0	TOGGLE VALVE ASSEMBLY (FLUSHOUT)	2		
20	1P07FZA0	PULL BACK VALVE	1		
21	1P07FYA0	PULL BACK VALVE WITH BRACKET AND RIVET	1		
22	ZA761NSU	HEX SOCKET HEAD SCREW M5X12 SUS	5		
23	1P053VA0	SHUTTLE VALVE ASSEMBLY	1		
24	AFFW91A0	1/16 IN BARB TEE PLATED	2		USA P-N: P1875
25	1P04AVA0	MANIFOLD W/O BOWL	1		
26	1E04R2A0	OIL MIST SEPARATOR	1		
27	1P057FA0	CAGE CLAMP ASSEMBLY	1		
28	ZA111JNU	PAN HEAD SCREW M3X6 SUS	1		
29	1P04AYA0	NEEDLE VALVE ASSEMBLY	6		
30	FJLA14A0	NEEDLE VALVE KNOB	6		
31	FJLA16A0	CAP FOR KNOB (YELLOW)	2		
32	FJLA15A0	CAP FOR KNOB (BLUE)	4		
33	AFFS15B0	1/8 IN TUBING COLLAR	3		USA P-N: P1061
34	AFFS14B0	1/4 IN TUBING COLLAR	3		USA P-N: P1062
35	ZB552LAU	EXTERNAL TOOTH WASHER M4 SUS	1		
36	ZA88JLPU	PAN HEAD SCREW M4X8 SUS	1		
37	DEBR42A0	NYLON CLAMP 3344 1-1/4	2		
38	ZA114NNU	TRUSS M5X6 SUS	2		
39	1P057GA0	HP HOLDER ASSEMBLY	1		

# BALANCE ARM



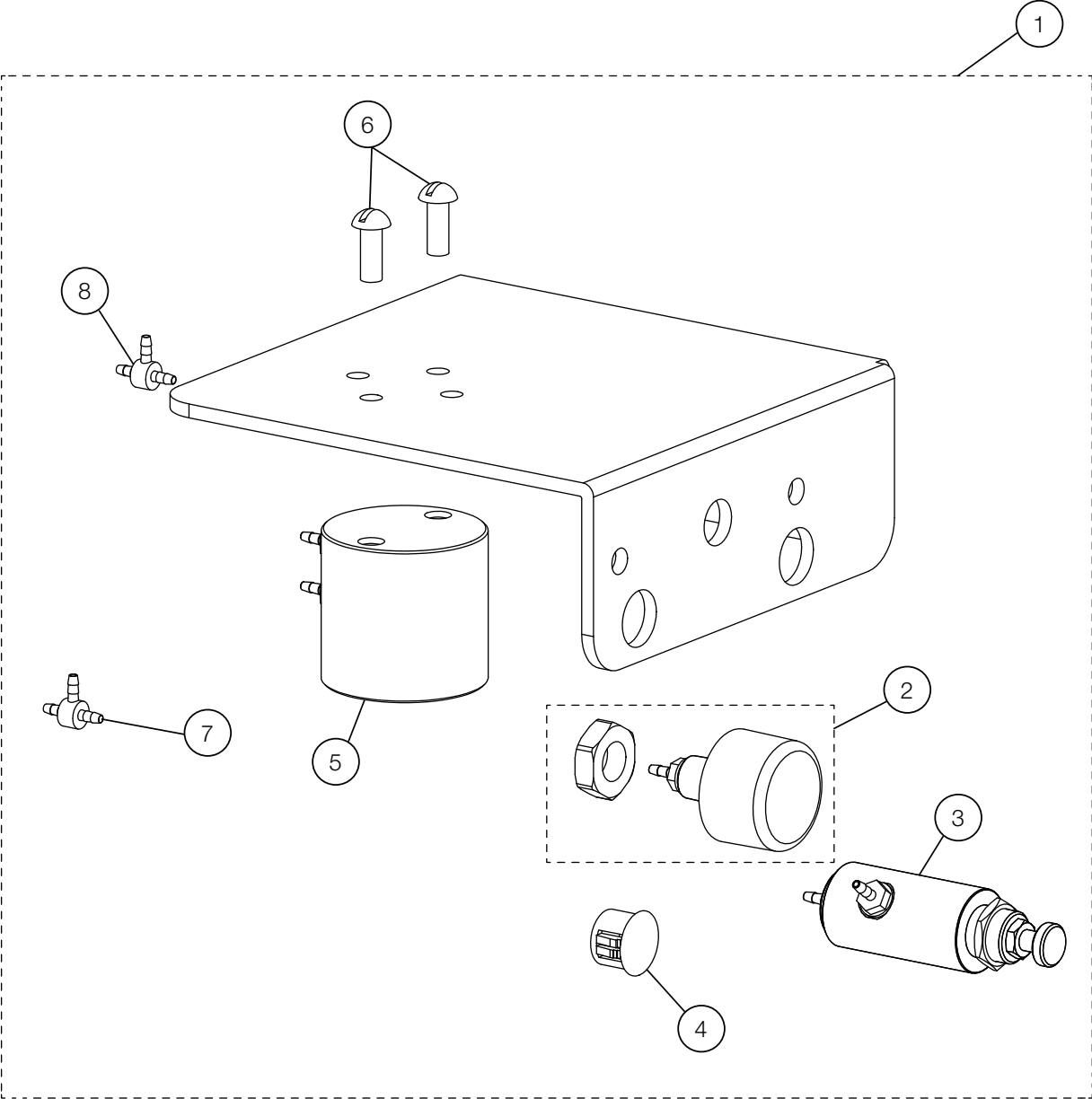
NO.	PARTS NO.	DESCRIPTION	QTY	APPLICABLE SERIAL NO.	NOTE
1	AAFB96C0	SUPPORT JOINT	1	VW20C0014	
2	ZA774OLU	HEX SOCKET SET SCREW (CUP POINT) M6X5 SUS	1		
3	1A0NA0AV	BALANCE ARM FRAME	1		
4	1A0NAAAV	SUPPORT JOINT FRONT	1		
5	1A0NABBV	TABLE BRACKET SIDE	1	VW18I0015	
6	1A0N9XA0	BELLOWS COVER	2		
7	FATA05A0	STOPPER FOR TABLE ROTATION	1		
8	ZB551NAU	WASHER	1		
9	ZSA11NRC	HEX BUTTON HEAD SCREW M6X5 SUS	1		
10	AAFT87A0	BRACKET FOR ARM END CAP	4		
11	ZA114LRU	TRUSS M4X10 SUS	9		
12	CANF43B0	ADJUSTING BAR FOR SPRING	1		
13	APNA19A0	NYLON CLAMP NK-2N	1		
14	AFFU48A0	WASHER 10-32 (SEAL)	1		USA P-N: P1055
15	AFFS04A0	1/16 INX10-32 BARB (PLATED)	1		USA P-N: P1052
16	1A0N9ZAV	PIPING COVER	1		
17	AAFF04C0	END CAP	2		
18	ZA111LRU	PAN HEAD SCREW M4X10 SUS	4		
19	1P057HA0	BALANCE ARM ASSEMBLY	1		

MOUNTING BRACKET



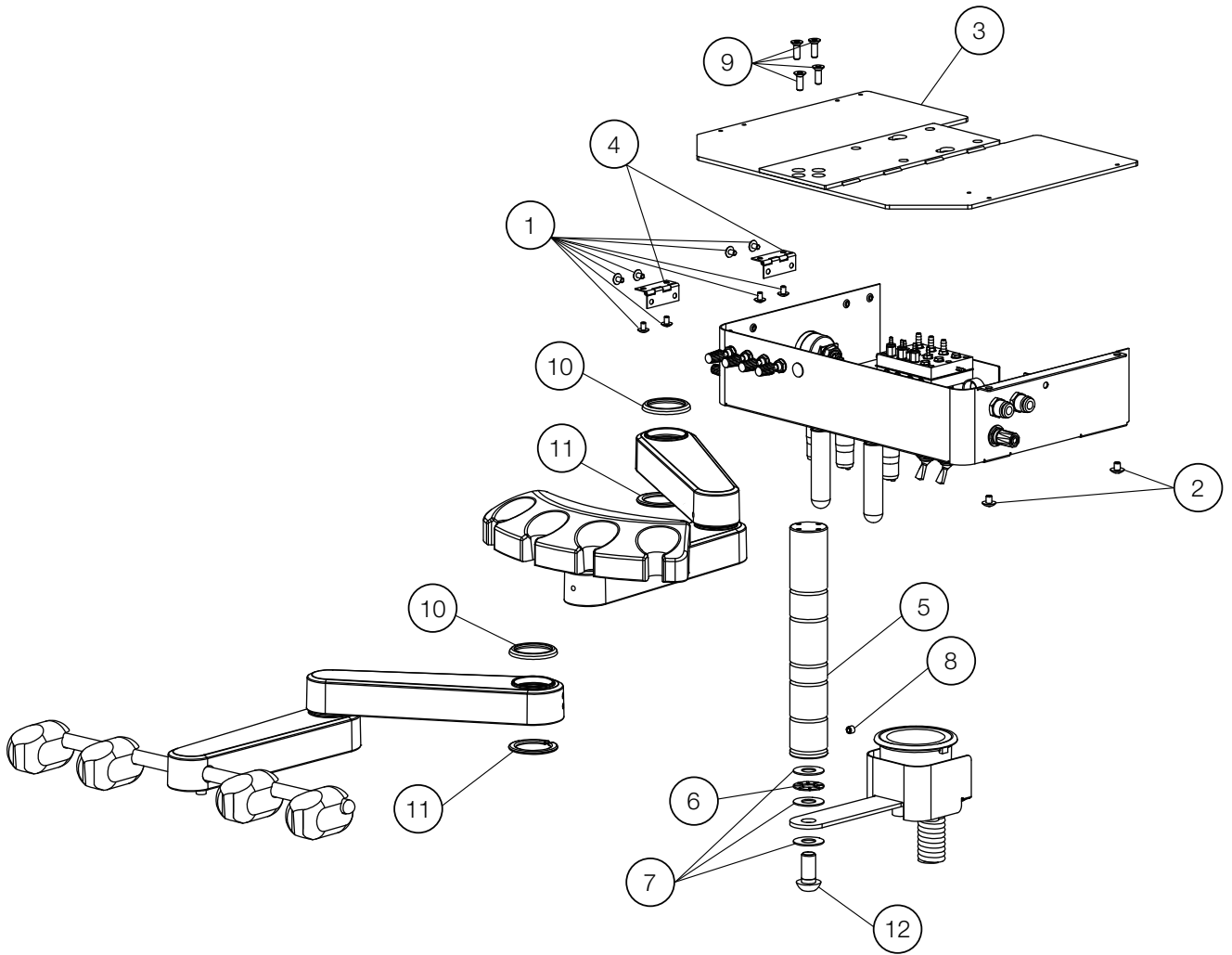
NO.	PARTS NO.	DESCRIPTION	QTY	APPLICABLE SERIAL NO.	NOTE
1	ZA114LSU	TRUSS M4X12 SUS	2		
2	1A0KE7B0	CAP FOR FIRST ARM	2	VW19A0001	
3	AAFT81B0	WASHER FOR ROTATION SHAFT	1	VG16F0001	
4	1E06BNA0	THRUST WASHER AS1108	4		
5	1E06BPA0	THRUST BEARING AXK1108	2		
6	1A0HAEA0	PMU CAP 2	1		
7	1A0NA5BV	FIRST ARM	1		
8	AESA04A0	U NUT FU08SS	1		
9	ZA812PAY	NUT M8	2		
10	ZA761PWU	HEX SOCKET HEAD SCREW M8X20 SUS	1		
11	1A0E68B0	STOPPER RUBBER	1		
12	1E06BMA0	SPACER M8X25 SUS	2		
13	ZA761P1G	HEX SOCKET HEAD SCREW M8X35 SUS	2		
14	1A0NA6AV	MOUNTING BRACKET COVER	1		
15	1A0HB7AV	ARM END CAP	2		

WATER BOTTLE BRACKET



NO.	PARTS NO.	DESCRIPTION	QTY	APPLICABLE SERIAL NO.	NOTE
1	1P057JA0	WATER BOTTLE BRACKET ASSEMBLY	1		
2	1G06Z5A0	PRESSURE GAUGE W3055	1		USA P-N: C1840T
3	AFFS16A0	MINI AIR REGULATOR	1		USA P-N: C1835
4	FEOA24A0	HOLE PLUG DP-500W	1		
5	1G06Z3A0	BOTTLE HEAD 3055	1		USA P-N: RC18041BEL
6	AFFS19A0	10-32 1/2 SCREW SUS	2		USA P-N: RF-2010
7	AFFW91A0	1/16 IN BARB TEE PLATED	2		USA P-N: P1875

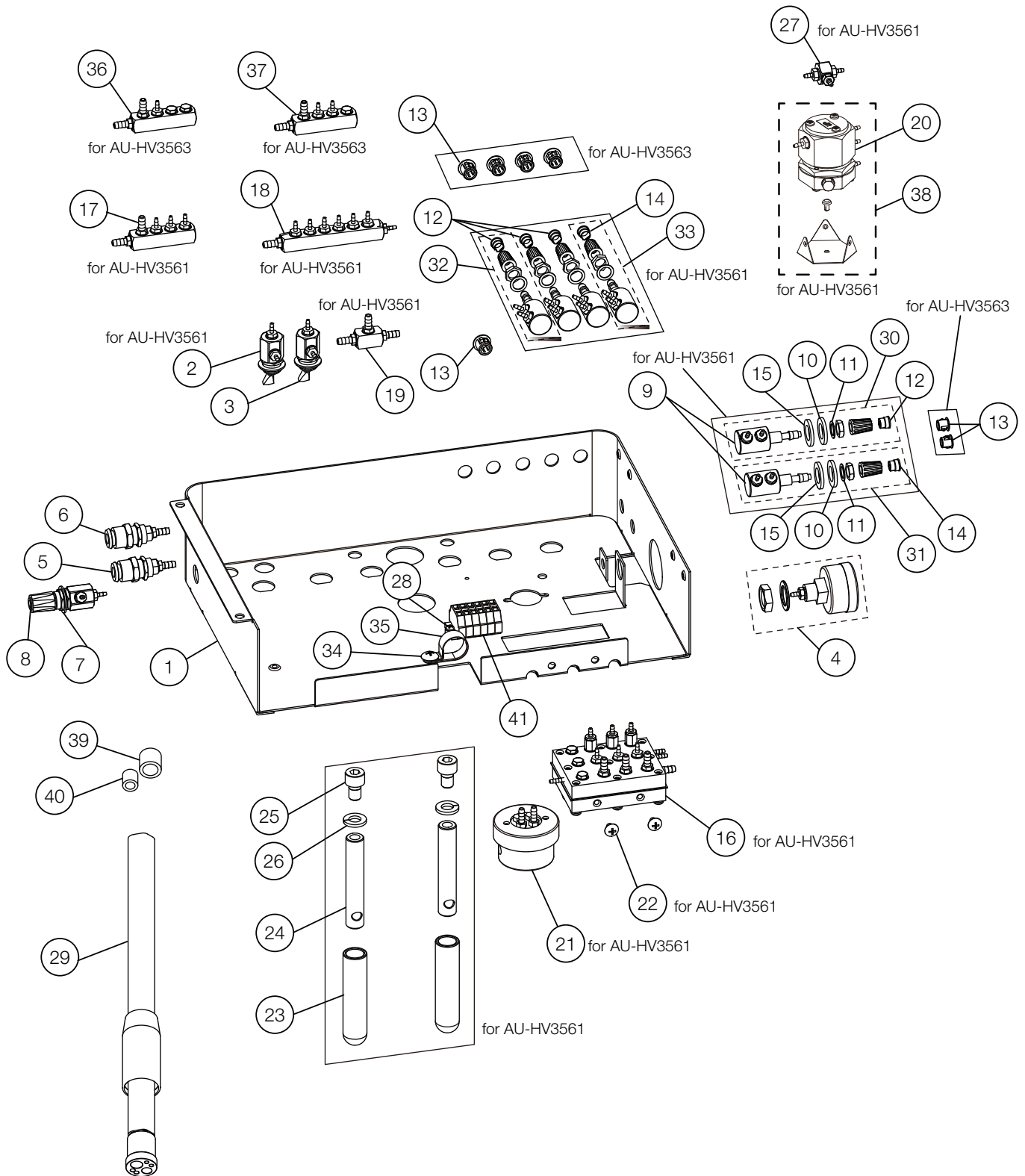
REAR DELIVERY





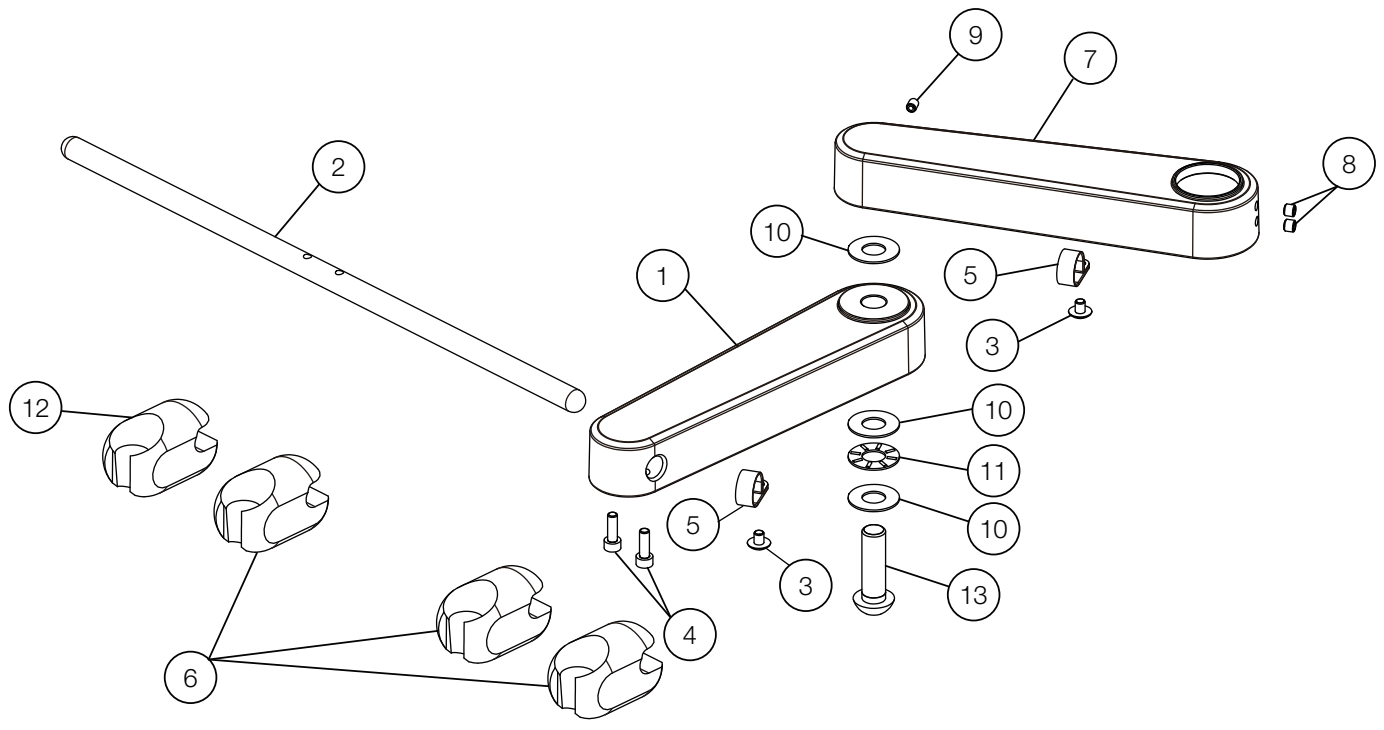
NO.	PARTS NO.	DESCRIPTION	QTY	APPLICABLE SERIAL NO.	NOTE
1	ZA114LNU	TRUSS M4X6 SUS	8		
2	ZA114NNU	TRUSS M5X6 SUS	2		
3	1A0J2UBV	MOUNTING PLATE	1	VW17C0037	
4	AFFS98A0	FLAT HINGE TH-TM-86 SUS	2		
5	1A0J2VA0	ARM SHAFT	1		
6	1E00E5A0	THRUST BEARING (AXK1101)	1		
7	AERN11A0	THRUST WASHER (AS1101)	3		
8	ZA774OLU	HEX SOCKET SET SCREW (CUP POINT) M6X5 SUS	1		
9	ZA112N#Y	COUNTERSUNK HEAD SCREW M5X15 CHROME	4		
10	1A0J6SA0	ARM CAP	2		
11	1A0J30A0	LOCK RING	2		
12	ZSA11RYU	SET SCREW M12X25 SUS	1		

# DOCTOR TABLE

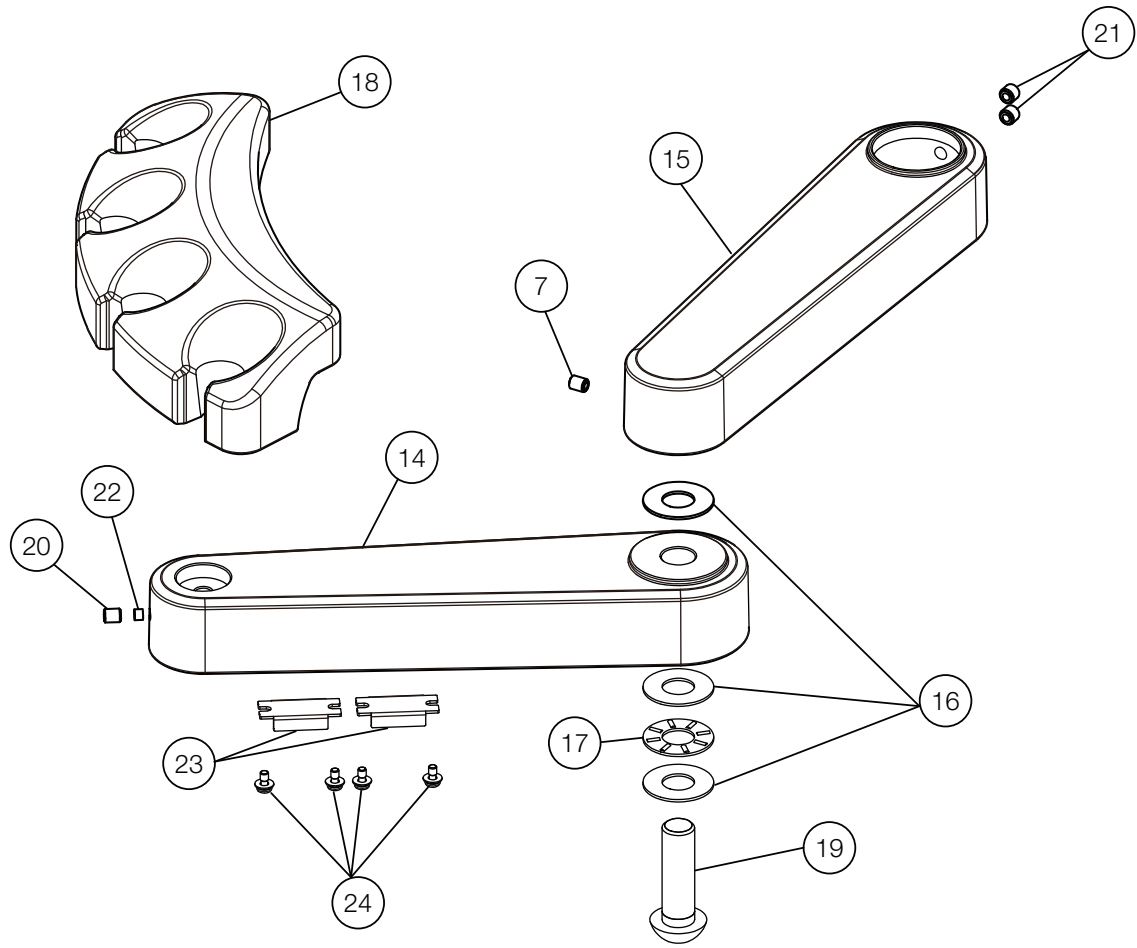


NO.	PARTS NO.	DESCRIPTION	QTY	APPLICABLE SERIAL NO.	NOTE
1	1A0J2TBV	TABLE CHASSIS	1		
2	1P06GMA0	TOGGLE VALVE (MOMENTARY TYPE)	1		
3	1P06GNA0	TOGGLE VALVE (ALTERNATE TYPE)	1		
4	1P04AXA0	PRESSURE GAUGE ASSEMBLY	1		
5	AFFS27A0	H2O QUICK DISCONNECT 1/4 IN YELLOW	1		USA P-N: P1075YEL
6	AFFS26A0	H2O QUICK DISCONNECT 1/4 IN BLUE	1		USA P-N: P1075BLU
7	FALC54A0	FLAT WASHER (WATER ADJUSTMENT)	1		
8	1P04B2A0	NEEDLE VALVE ASSEMBLY	1		USA P-N: V1511G
9	1P053RA0	SMALL NEEDLE VALVE	6		
10	FALC50A0	WASHER	6		
11	FALC49A0	NUT	6		
12	FJLA15A0	CAP FOR KNOB (BLUE)	4		
13	1E059UA0	HOLE PLUG CP30HP3	7		
14	FJLA16A0	CAP FOR KNOB (YELLOW)	2		
15	1E03K7A0	WASHER M10X18X2 SUS	4		
16	1P053SA0	AUTO SELECT VALVE ASSEMBLY FOR 3 HP TUBINGS (EXCEPT FOR SYRINGE)	1		
	1P04DYA0	AUTO SELECT VALVE ASSEMBLY FOR 4 HP TUBINGS (EXCEPT FOR SYRINGE)			
17	1P053HA0	MANIFOLD 4P (AU-HV3561)	1		
18	1P04AWA0	MANIFOLD 8P W/ BOWL TYPE	1		
19	1P053FA0	T-JOINT 1/4X3	1		
20	1P07FZA0	PULL BACK VALVE	1		
21	1E04R2A0	OIL MIST SEPARATOR	1		
22	ZA114LNU	TRUSS M4X6 SUS	2		
23	G-00500	HANDLE (WHITE)	2		
24	1A0KN5A0	STOP BAR	2		
25	ZA761PSU	HEX SOCKET HEAD SCREW M8X12 SUS	2		
26	ZB511PAU	SPRING WASHER M8 SUS	2		
27	1P053VA0	SHUTTLE VALVE ASSEMBLY	1		
28	ZA111JNU	PAN HEAD SCREW M3X6 SUS	1		
29	AFFS02A0	HANDPIECE TUBING STRAIGHT 7FT W	3		USA P-N: D432T
30	1P053XA0	NEEDLE VALVE W/ WASHERS FOR WATER	1		
31	1P053YA0	NEEDLE VALVE W/ WASHERS FOR AIR	1		
32	1P053ZA0	NEEDLE VALVE FOR WATER	3		
33	1P0540A0	NEEDLE VALVE FOR AIR	1		
34	ZA114NNU	TRUSS M5X6 SUS	1		
35	Q-31130	NYLON CLAMP (3330 5/8)	1		
36	1P053KA0	MANIFOLD 4P FOR WATER (AU-HV3563)	1		
37	1P053JA0	MANIFOLD 4P FOR AIR (AU-HV3563)	1		
38	1P07FYA0	PULL BACK VALVE WITH BRACKET AND RIVET	1		
39	AFFS14B0	1/4 IN TUBING COLLAR	6		USA P-N: P1062
40	AFFS15B0	1/8 IN TUBING COLLAR	6		USA P-N: P1061
41	1P057FA0	CAGE CLAMP ASSEMBLY	1		

DOCTOR ARM

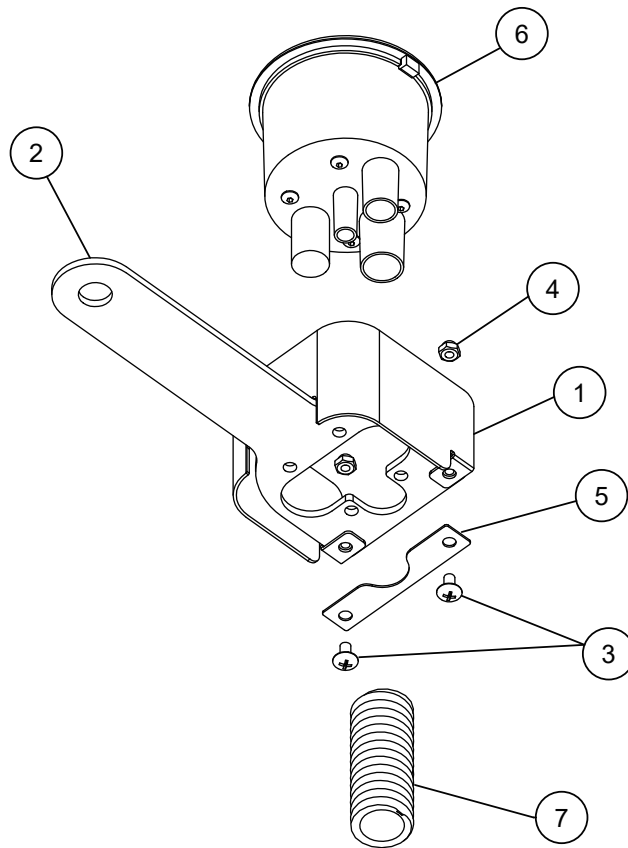


ASSISTANT ARM



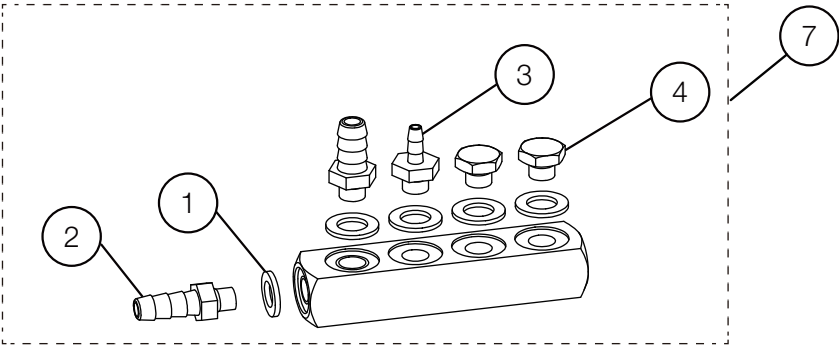
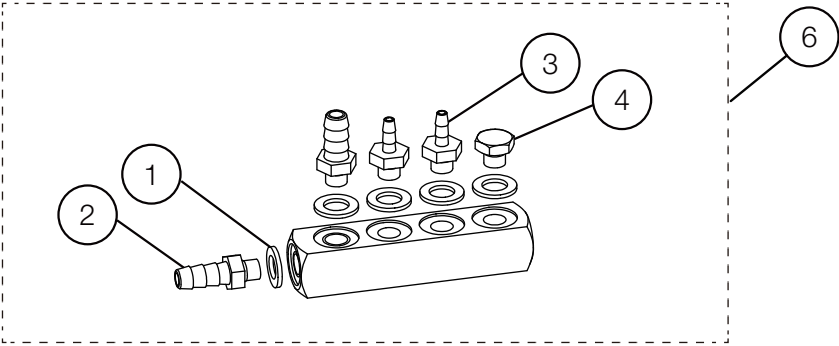
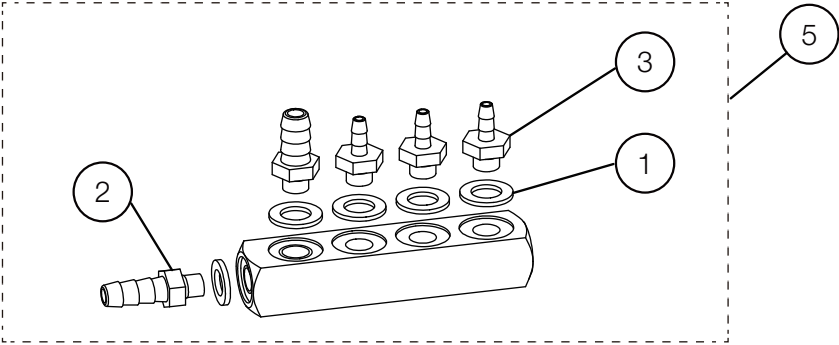
NO.	PARTS NO.	DESCRIPTION	QTY	APPLICABLE SERIAL NO.	NOTE
1	1A0J2YBV	DOCTOR ARM	1		
2	1A0J34A0	HOLDER BAR	1		
3	ZA114NNU	TRUSS M5X6 SUS	2		
4	ZA761N#U	HEX SOCKET HEAD CAP BOLT M5 X15 SUS	2		
5	Q-31130	NYLON CLAMP (3330 5/8)	2		
6	AFFX36B0	HANDPIECE HOLDER	3	VW17H0130	USA P-N: D4579
7	1P053GA0	FIRST ARM W/BUSH	1		
8	ZA774OLU	HEX SOCKET SET SCREW (CUP POINT) M6X5 SUS	2		
9	ZA774NNU	HEX SOCKET SET SCREW (CUP POINT) M5X6 SUS	1		
10	AERN11A0	THRUST WASHER (AS1101)	3		
11	1E00E5A0	THRUST BEARING (AXK1101)	1		
12	AFFX37B0	SYRINGE HOLDER	1	VW17H0130	USA P-N: D4578
13	ZSA11R2U	HEX SOCKET HEAD CAP BOLT M12X40 SUS	1		
14	1A0J2ZBV	ASSISTANT ARM	1	VW17F0104	
15	1P053GA0	FIRST ARM W/BUSH	1		
16	AERN11A0	THRUST WASHER (AS1101)	3		
17	1E00E5A0	THRUST BEARING (AXK1101)	1		
18	FASA85D0	ASSISTANT HOLDER	1		
19	ZSA11R2U	HEX SOCKET HEAD CAP BOLT M12X40 SUS	1		
20	ZA774NNU	HEX SOCKET SET SCREW (CUP POINT) M5X6 SUS	2		
21	ZA774OLU	HEX SOCKET SET SCREW (CUP POINT) M6X5 SUS	2		
22	1E02E1A0	ROUND BELT PHI4 (ORANGE)	0.01m		
23	FJCA14B0	MAGNET CATCH	2		
24	ZA88JJNY	PAN HEAD SEMS SCREW 3P M3X6 CHROME	4		

VACUUM

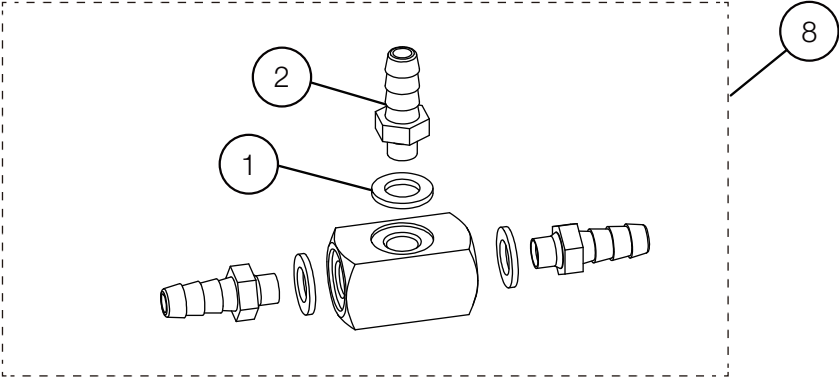


NO.	PARTS NO.	DESCRIPTION	QTY	APPLICABLE SERIAL NO.	NOTE
1	1A0JF3AV	PLATE VC COVER	1		
2	1A0J33BV	VC PLATE	1	VW17C0037	
3	ZA114LPU	TRUSS M4X8 SUS	2		
4	ZA831LAU	NUT M4 SUS	2		
5	1A0K96AV	VC HOSE CLIP	1		
6	1E05A0B0	VACUUM CANISTER (BOTTOM PORT GRAY)	1	VW18D0009	USA P-N: S1385
7	AFFS39A0	VACUUM HOSE 5/8 SPIROLOCK	3.5m		USA P-N: T1746

MANIFOLD 4P



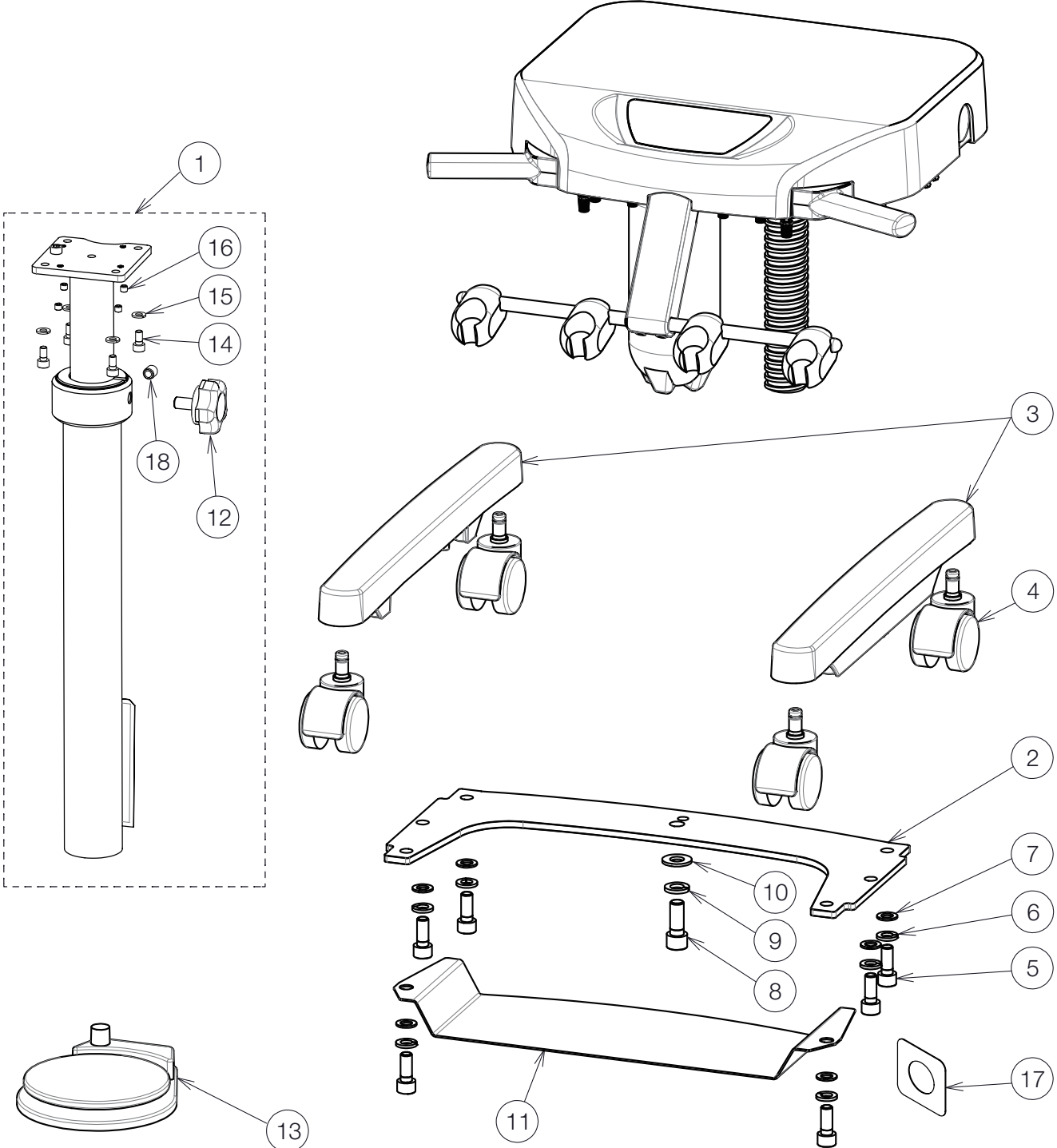
T-JOINT





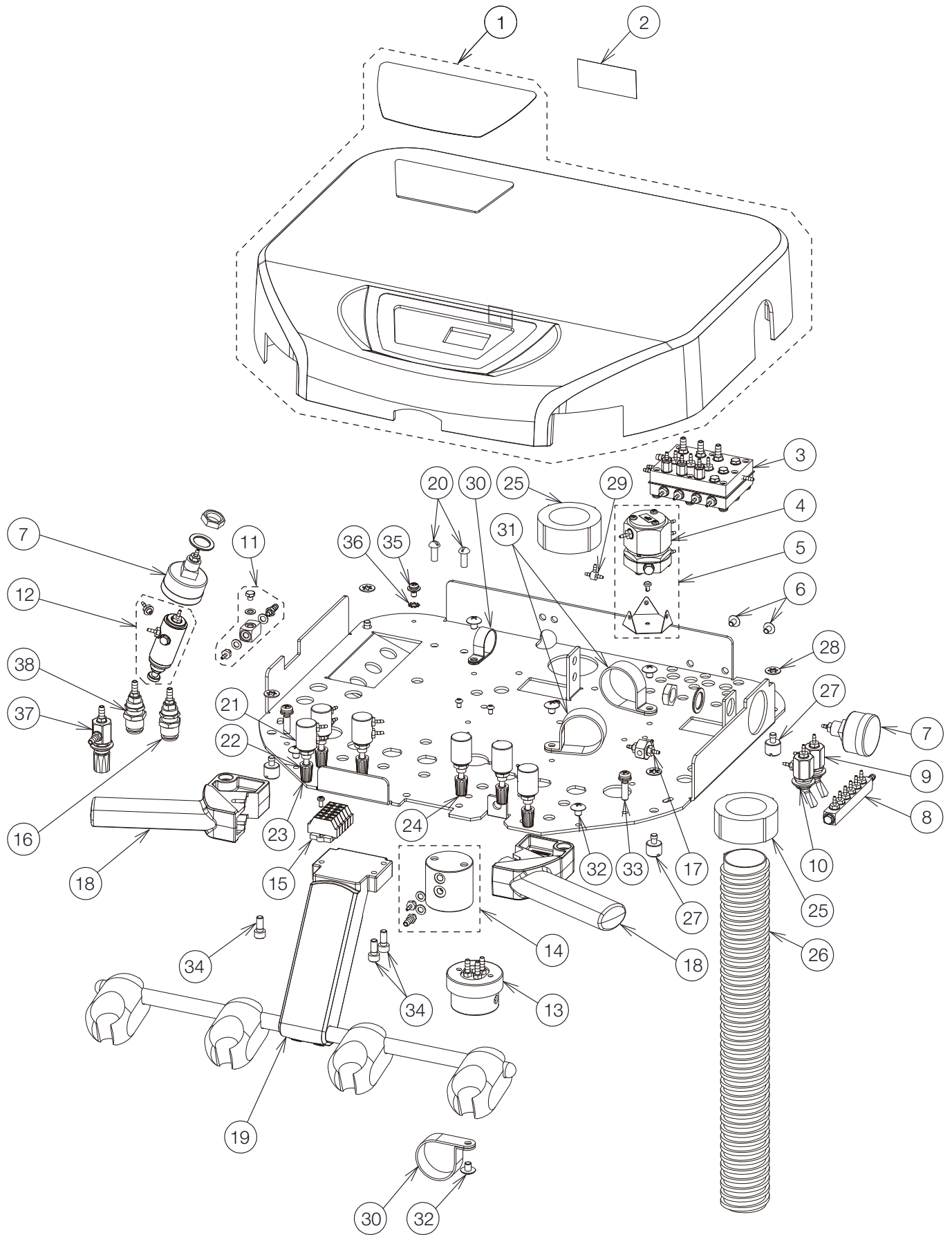
NO.	ID	PARTS NO.	DESCRIPTION	QTY	APPLICABLE SERIAL NO.	NOTE
1	F24	- AFFU48A0	WASHER 10-32(SEAL)	-		USA P-N: P1055
2	F24	- AFFS05A0	1/8 INX10-32 BARB (PLATED)	-		USA P-N: P1053
3	F24	- AFFS04A0	1/16 INX10-32 BARB (PLATED)	-		USA P-N: P1052
4	F24	- AFFU49A0	BRASS HEX PLUG 10-32	-		USA P-N: P1054
5	F22	- 1P053HA0	MANIFOLD 4P FOR AIR (AU-HV3561)	1		
6	F22	- 1P053JA0	MANIFOLD 4P FOR AIR (AU-HV3563)	1		
7	F22	- 1P053KA0	MANIFOLD 4P FOR WATER (AU-HV3563)	1		
8	F22	- 1P053FA0	T-JOINT 1/8X3	1		

CART BASE



NO.	ID	PARTS NO.	DESCRIPTION	QTY	APPLICABLE SERIAL NO.	NOTE
1	F22	- 1P07FWA0	CART POST ASSEMBLY	1		
2	F22	- 1A0Y1ZA0	BASE PLATE FOR CART	1		
3	F22	- 1A0Y20A0	BASE LEG FOR CART	2		
4	F23	- AEFV44B0	CASTER (GREY)	4		
5	F23	- ZA761QYY	HEX SOCKET HEAD SCREW M10X25 CHROME	6		
6	F23	- ZB511QAY	SPRING WASHER M10 CHROME	6		
7	F23	- 1E00BKA0	WASHER M10X22X1 CHROME	6		
8	F23	- ZA761RZY	HEX SOCKET HEAD SCREW M12X30 CHROME	1		
9	F23	- ZB511RAY	SPRING WASHER M12 CHROME	1		
10	F23	- 1E015HA0	WASHER M12X20X1.6 CHROME	1		
11	F22	- 1A0Y25A0	PLATE FOR FOOT CONTROLLER	1		
12	F22	- 1P07FXA0	FITTING KNOB WITH HEX BOLT M10X30 SUS	1		
13	F24	- 1E04R1B0	WET/DRY FOOT CONTROL	1		USA P-N: F1210
14	F22	- ZA761OSU	HEX SOCKET HEAD SCREW M6X12 SUS	4		
15	F23	- ZB511OAU	SPRING WASHER M6 SUS	4		
16	F23	- ZA774OLU	HEX SOCKET SET SCREW (CUP POINT) M6X5 SUS	4		
17	F22	- 1A0Y1YA0	FIXING PLATE FOR HOSE	2		
18	F23	- ZA774QRU	HEX SOCKET SET SCREW(CUP POINT) M10X10 SUS	1		

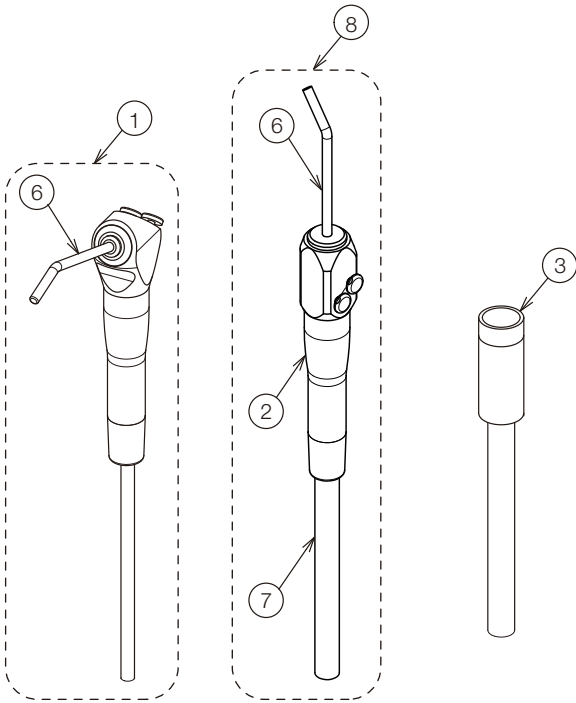
DOCTOR TABLE



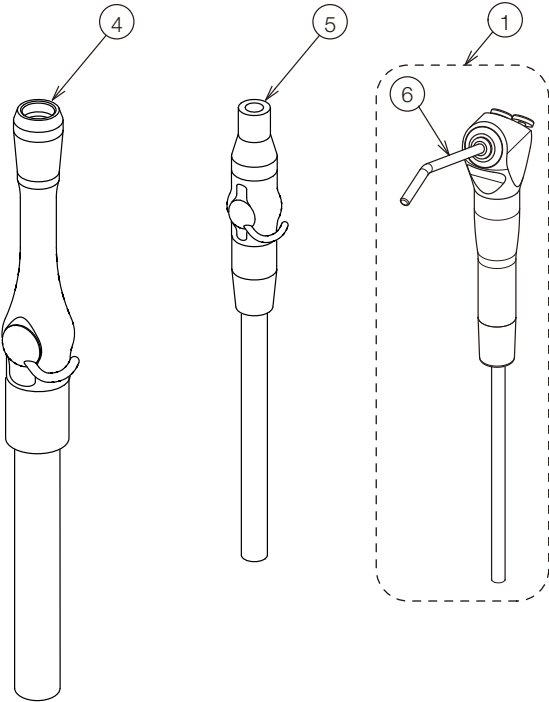
NO.	ID	PARTS NO.	DESCRIPTION	QTY	APPLICABLE SERIAL NO.	NOTE
1	F22	- 1P07FUA0	DR. TABLE COVER FOR CART	1		
2	F22	- 1A0YF7B0	PROHIBITED LABEL	1		
3	F22	- 1P053SA0	AUTO SELECT VALVE ASSEMBLY FOR 3 HP TUBINGS (EXCEPT FOR SYRINGE)	1		REFER TO P.10-11 FOR COMPONENT PARTS
	F22	- 1P04DYA0	AUTO SELECT VALVE ASSEMBLY FOR 4 HP TUBINGS (EXCEPT FOR SYRINGE)			
4	F22	- 1P07FZA0	PULL BACK VALVE	1		
5	F22	- 1P07FYA0	PULL BACK VALVE WITH BRACKET AND RIVET	1		
6	F23	- ZA114LNU	TRUSS M4X6 SUS	2		
7	F22	- 1P04AXA0	PRESSURE GAUGE ASSEMBLY	2		
8	F22	- 1P04AVA0	MANIFOLD W/O BOWL	1		REFER TO P.12-13 FOR COMPONENT PARTS
9	F22	- 1P06GNA0	TOGGLE VALVE ASSEMBLY (MAIN SWITCH)	1		
10	F22	- 1P06GMA0	TOGGLE VALVE ASSEMBLY (FLUSHOUT, BOWL FLUSH, CUPFILLED)	1		
11	F22	- 1P07FVA0	T-JOINT WITH 1/8 BF, 1/4 BF, PLUG	1		
12	F22	- 1P07GCA0	MINI-AIR REGULATOR WITH 1/8 BARB AND WASHER	1		
13	F22	- 1E04R2A0	OIL-MIST SEPARATOR	1		
14	F24	- AFFW92A0	WATER BOTTLE HEAD	1		
15	F22	- 1P057FA0	CAGE CLAMP ASSEMBLY	1		
16	F22	- AFFS27A0	H2O QUICK DISCONNECT 1/4 IN YELLOW	1		USA P-N: P1075YEL
17	F22	- 1P06GPA0	SHUTTLE VALVE ASSEMBLY	1		
18	F22	- 1A0GNBAV	TABLE HANDLE	2		
19	F22	- 1P04B0A0	HP HOLDER ASSEMBLY	1		REFER TO P.8-9 FOR COMPONENT PARTS
20	F23	- AFFS19A0	10-32 1/2 SCREW SUS	2		USA P-N: RF-2010
21	F22	- 1P04AYA0	NEEDLE VALVE ASSEMBLY	6		
22	F23	- FJLA14A0	NEEDLE VALVE KNOB	6		
23	F23	- FJLA16A0	CAP FOR KNOB (YELLOW)	2		
24	F23	- FJLA15A0	CAP FOR KNOB (BLUE)	4		
25	F23	- FAME17A0	CLAMP FOR UMBILICAL HOSE	2		
26	F23	- DESR37A0	UMBILICAL HOSE	2.3M		
27	F22	- 1A0RF6B0	KNURLED SCREW M5X7	4		
28	F22	- 1E071CA0	PLASTIC WASHER M6/M5	4		
29	F23	- AFFW91A0	1/16 IN BARB TEE PLATED	1		USA P-N: P1875
30	F23	- X-50540	NYLON CLAMP 3/4	2		
31	F23	- DEBR42A0	NYLON CLAMP 1-1/4	2		
32	F23	- ZA114NNU	TRUSS M5X6 SUS	6		
33	F23	- ZA887NXY	PAN HEAD SEMS SCREW 2P M5X22 CHROME	2		
34	F23	- ZA761NSU	HEX SOCKET HEAD SCREW M5X12 SUS	3		
35	F23	- ZA88JLPU	PAN HEAD SCREW M4X8 SUS	1		
36	F23	- ZB552LAU	EXTERNAL TOOTH WASHER M4 SUS	1		
37	F24	- 1P04B2A0	NEEDLE VALVE ASSEMBLY	1		USA P-N: V1511G
38	F24	- AFFS26A0	H2O QUICK DISCONNECT 1/4 IN BLUE	1		USA P-N: P1075BLU

HANDPIECE

DOCTOR



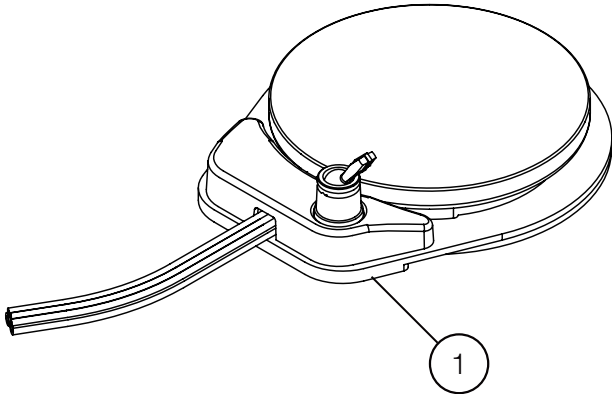
ASSISTANT



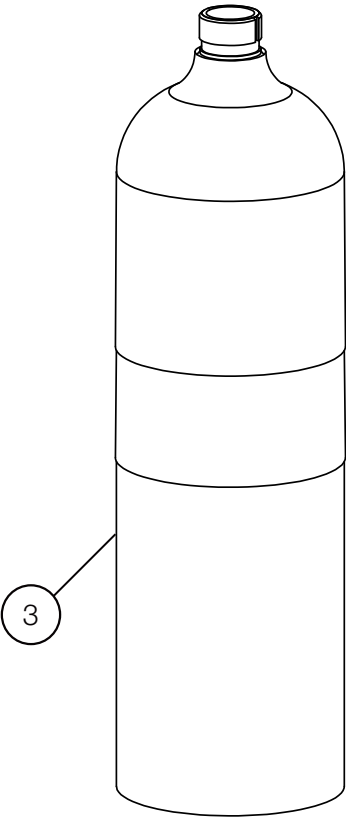
NO.	ID	PARTS NO.	DESCRIPTION	QTY	APPLICABLE SERIAL NO.	NOTE
1	F23	DEQR05A0	QUICK CLEAN SYRINGE FOR TRADITIONAL DELIVERY WITH 7 FT GRAY TUBING AND REPAIR KIT	-		USA P-N: D3439
2	F23	1E03YRA0	QUICK CLEAN SYRINGE FOR CONTINENTAL DELIVERY WITH 7 FT GRAY TUBING AND REPAIR KIT	-		USA P-N: D3459
3	F24	AFFS02A0	HANDPIECE TUBING STRAIGHT 7FT W	-		USA P-N: D432T
4	F24	1E095SA0	VACUUM HANDPIECE ASSY (DCI TYPE)	-		USA P-N: S-1132
5	F24	1E095TA0	SALIVA EJECTOR HANDPIECE ASSY (DCI TYPE)	-		USA P-N: S-1230
6	F23	RDIA04A0	SYRINGE TIP (DCI TYPE)	-		
7	F23	1P07WFA0	COVER HOSE WITH SPACER AND SLEEVE	-		
8	F23	1P06KDA0	QUICK CLEAN SYRINGE FOR CONTINENTAL DELIVERY WITH 7 FT GRAY TUBING, COVER HOSE AND REPAIR KIT)	-		

ACCESSORY

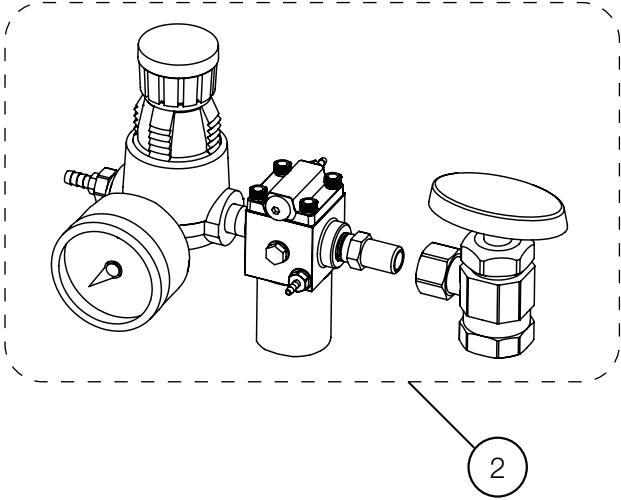
FOOT CONTROLLER



WATER BOTTLE (2L)



AIR UTILITY PACKAGE

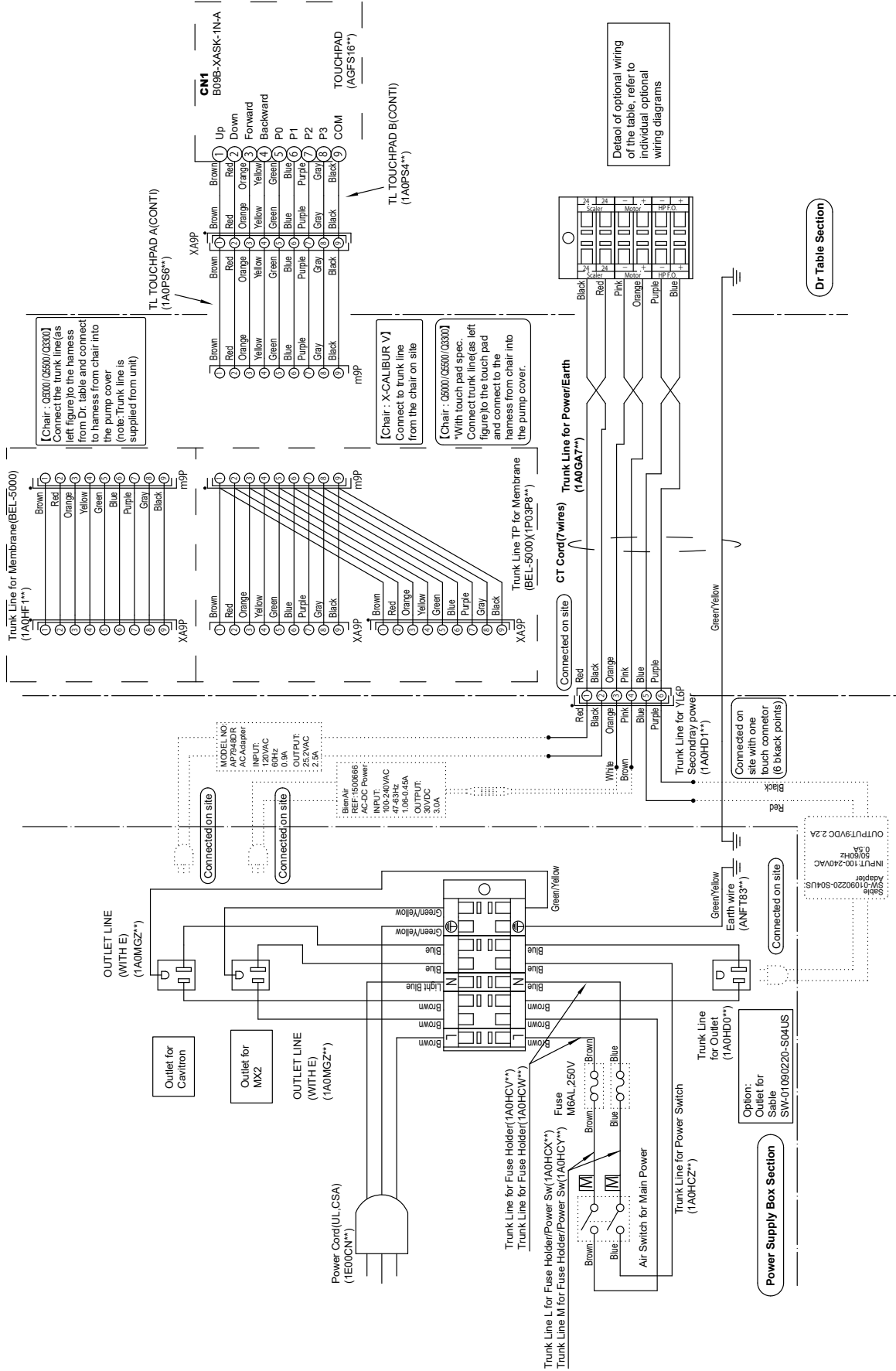




NO.	ID	PARTS NO.	DESCRIPTION	QTY	APPLICABLE SERIAL NO.	NOTE
1	F23	- 1E04R1B0	FOOT CONTROLLER	1		USA P-N: F1210
2	F23	- 1E04R4D0	AIR UTILITY PACKAGE	1		USA P-N: 99V1955
3	F23	- AFFS21B0	WATER BOTTLE 2L	1		USA P-N: D8164

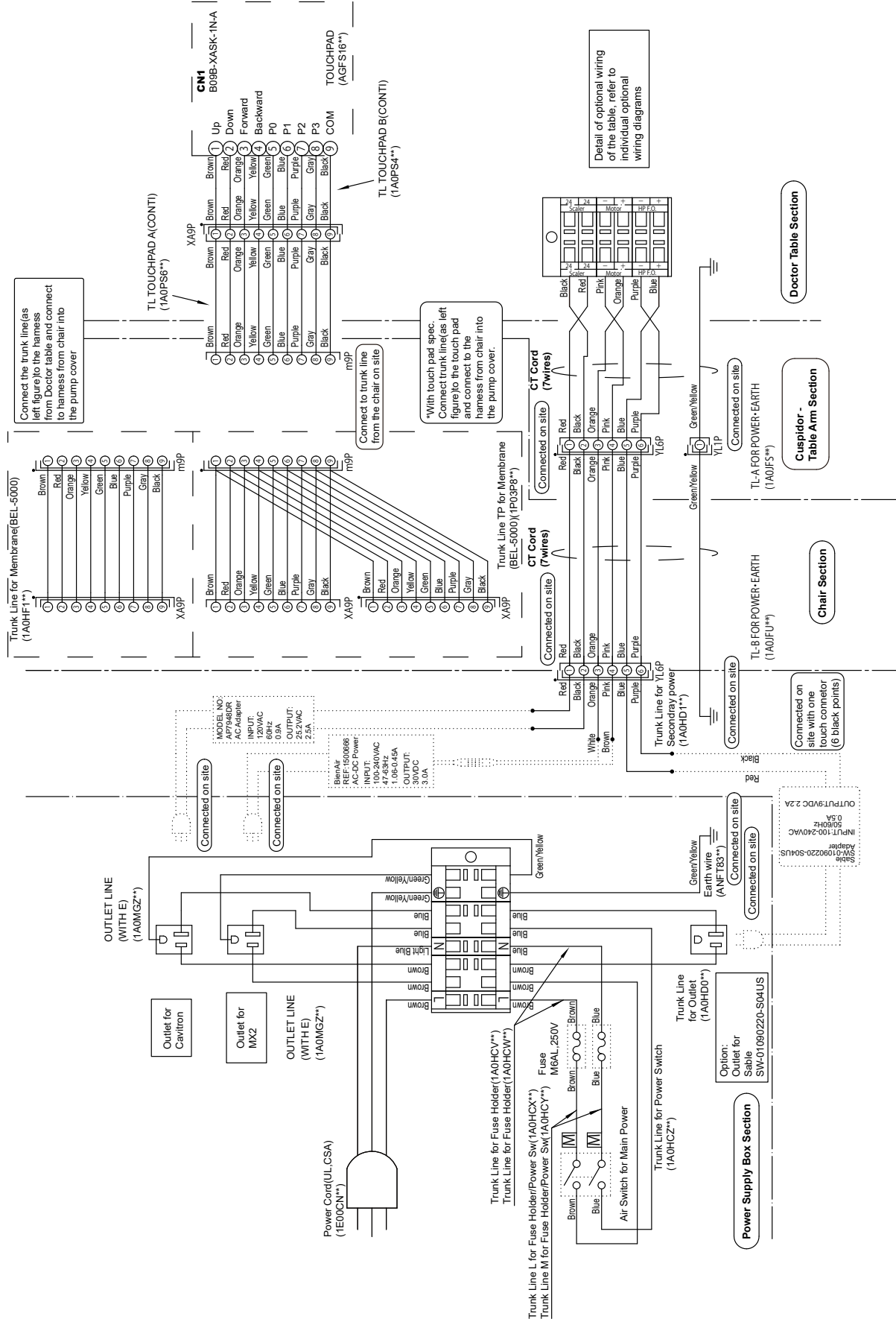


# AU-HV3808 SWING MOUNTED DELIVERY SYSTEM WITH CONTINENTAL TYPE X-CALIBUR V / Q5000 / Q5500 / Q3300

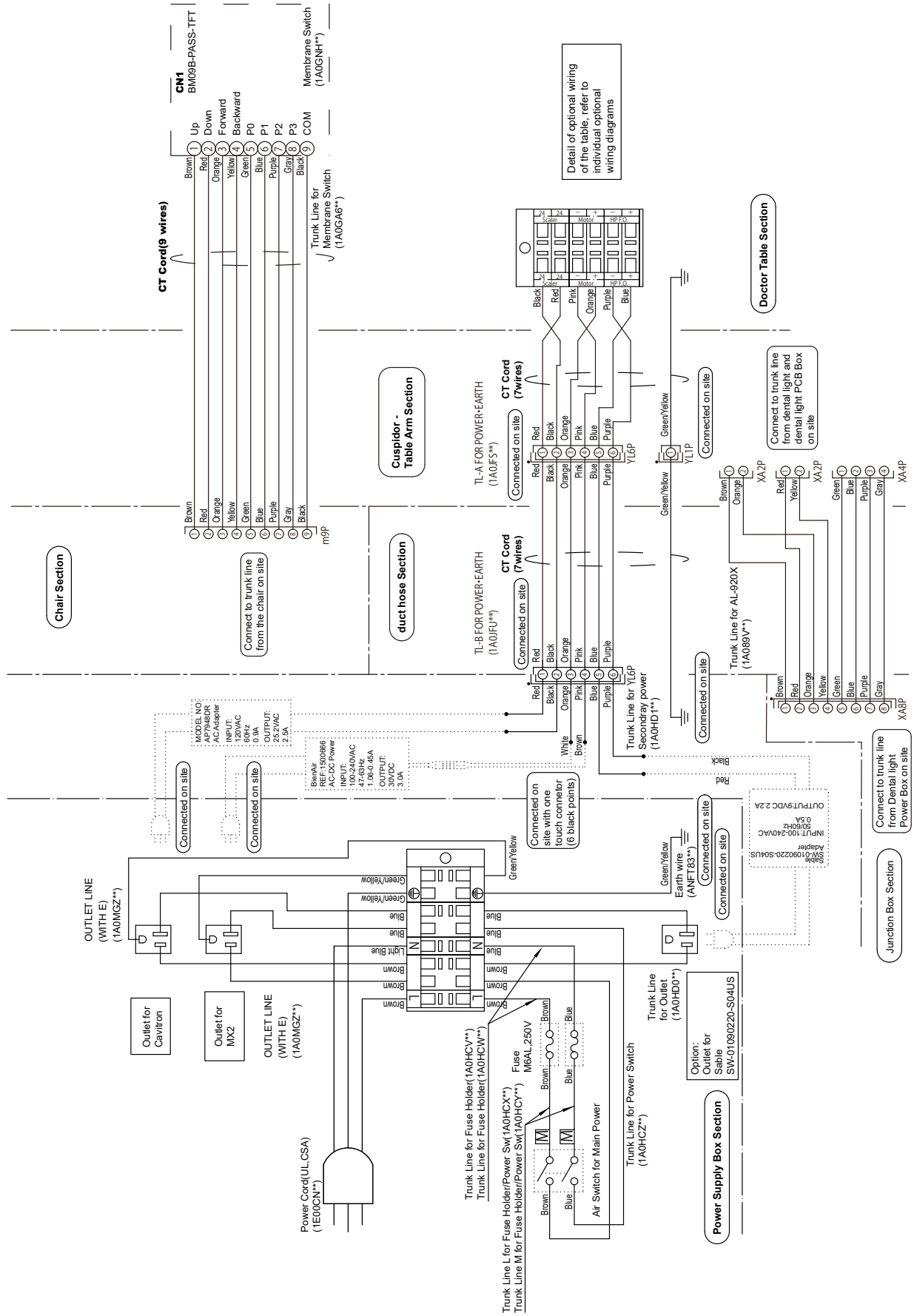




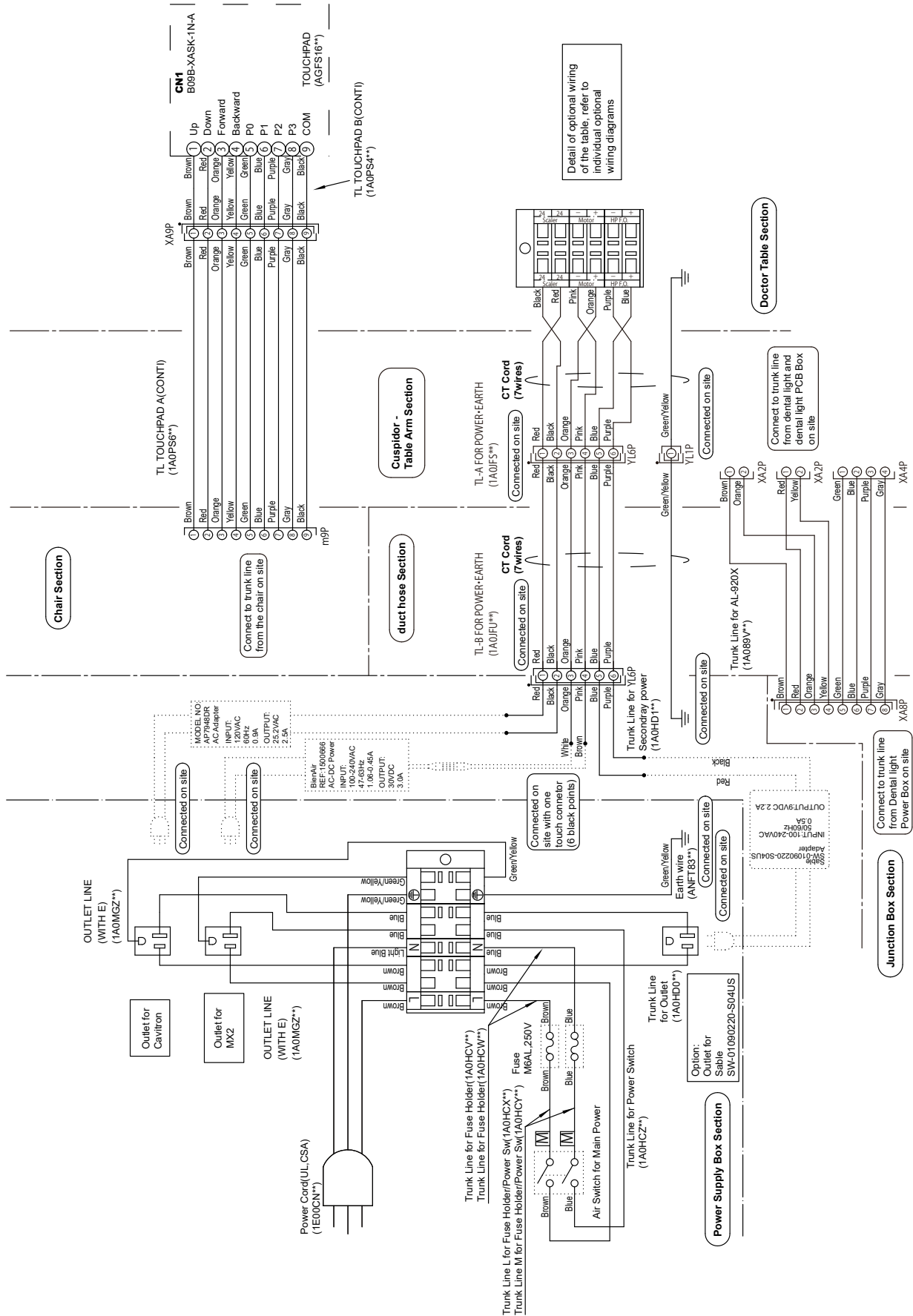
# AU-HV3808 PMU MOUNTED DELIVERY SYSTEM WITH CONTINENTAL TYPE Q5000 / Q5500 / Q3300

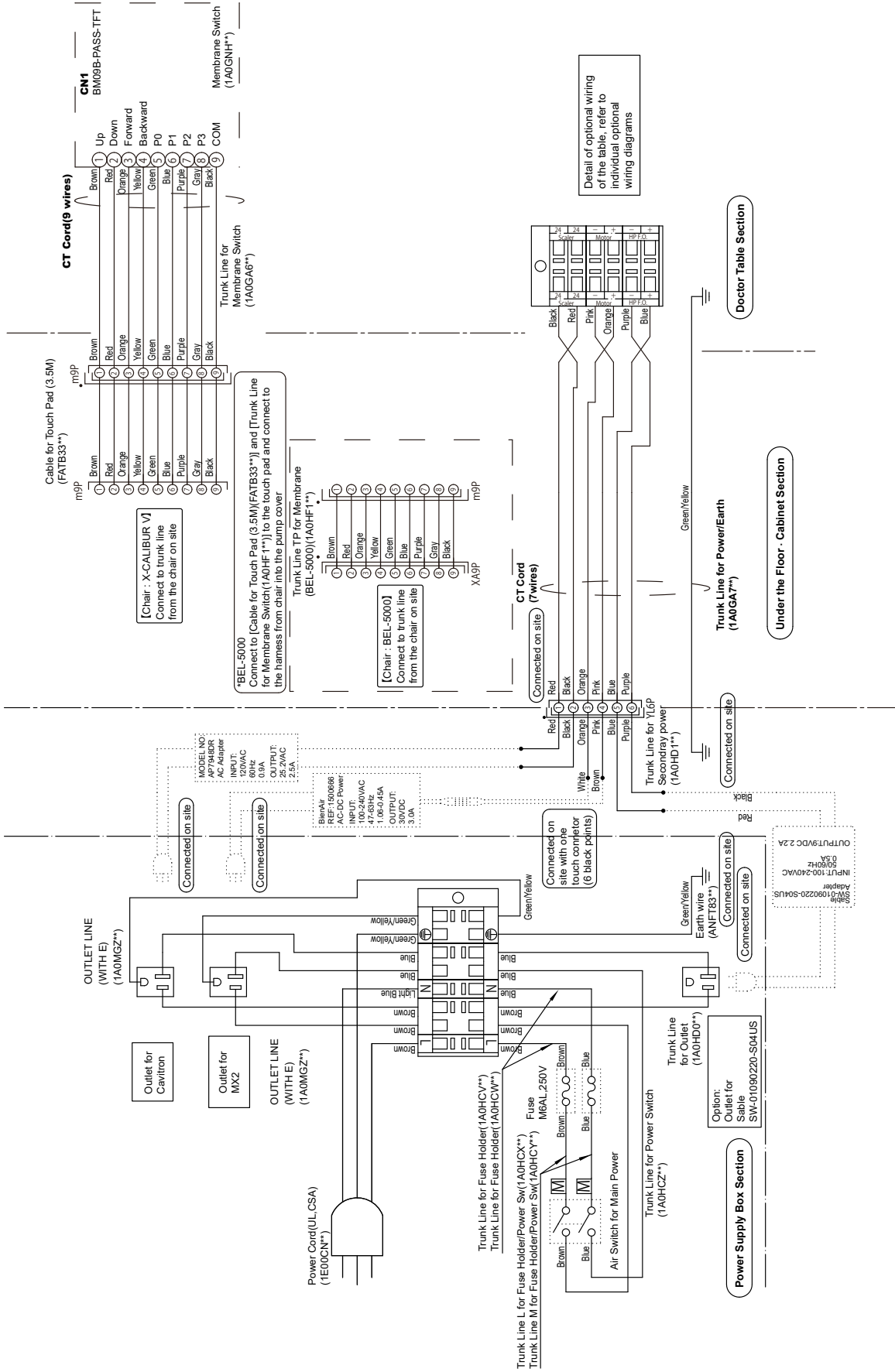


# AU-HV3808 PMU MOUNTED DELIVERY SYSTEM WITH X-CALIBUR V

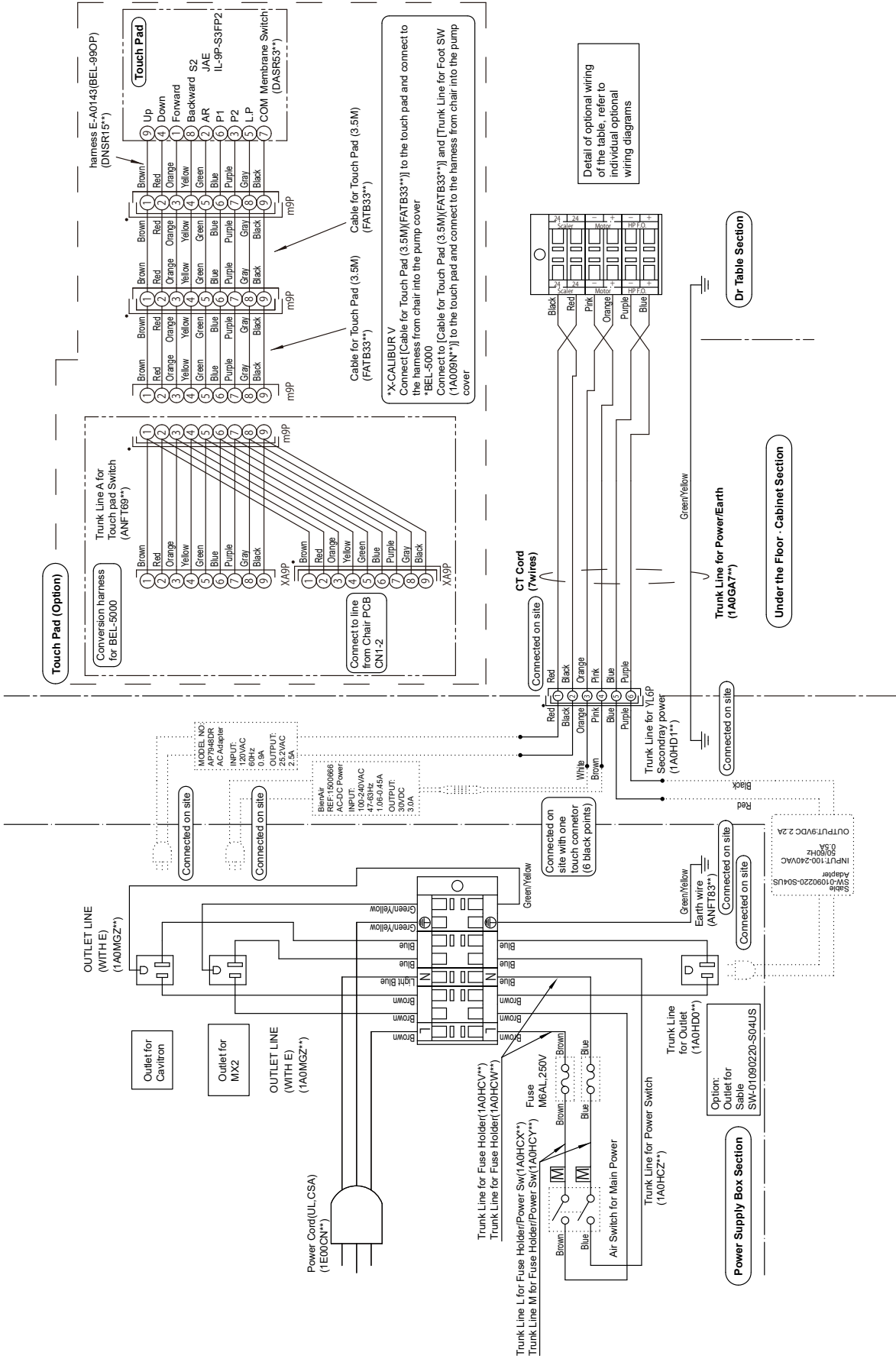


# AU-HV3808 PMU MOUNTED DELIVERY SYSTEM WITH CONTINENTAL TYPE X-CALIBUR V



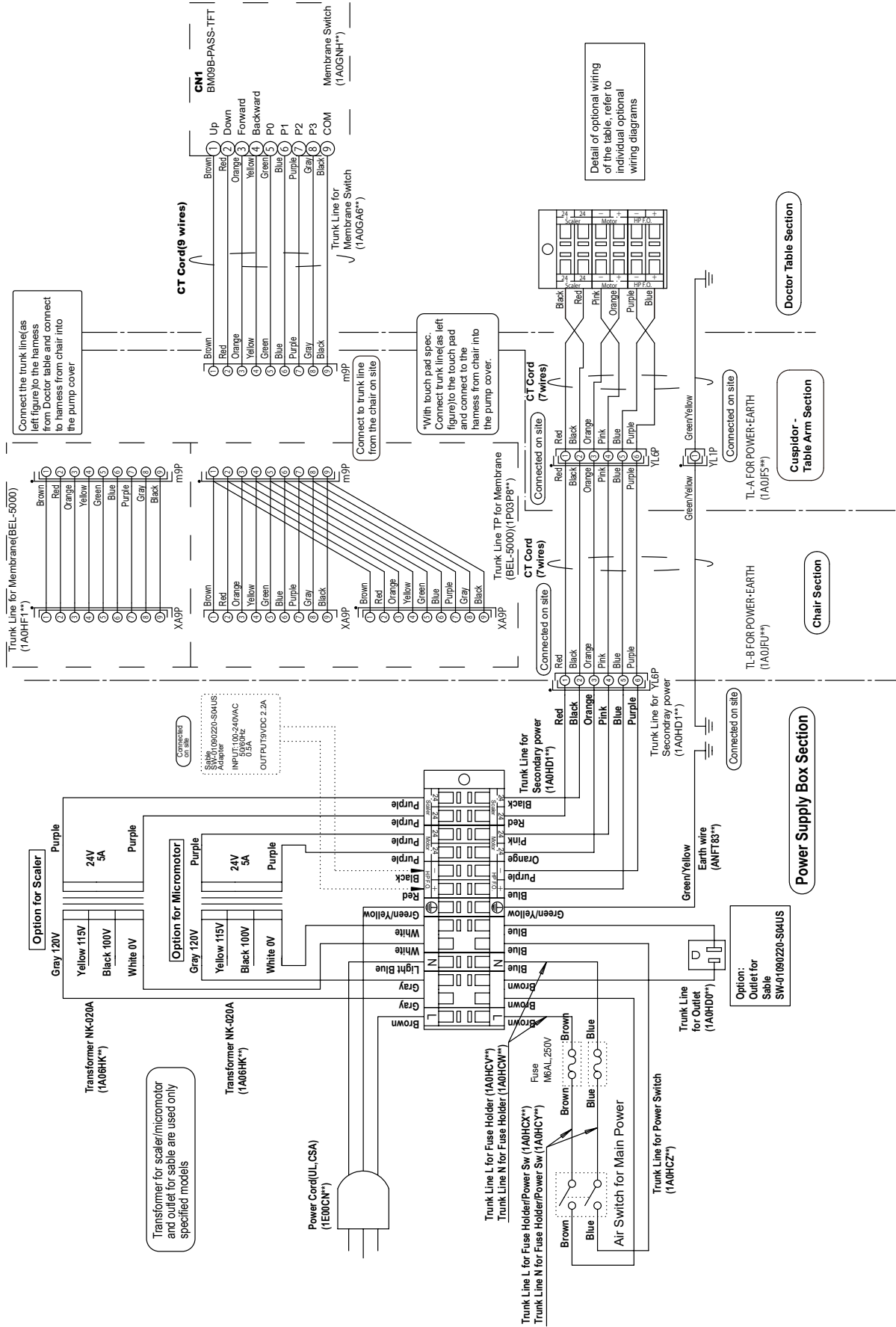




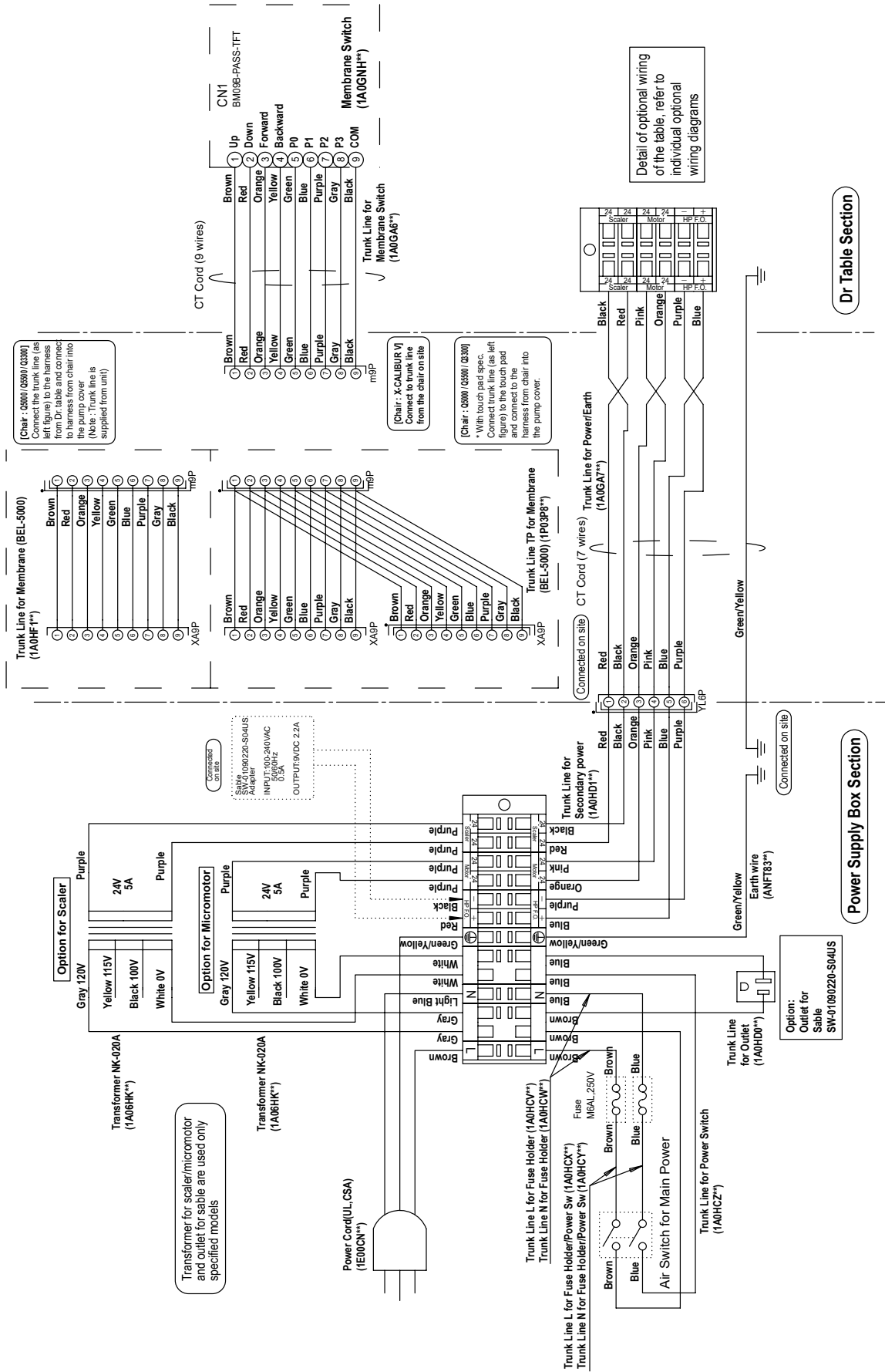




# AU-HV3801~3807 PMU MOUNTED DELIVERY SYSTEM WITH Q5000









## REVISION RECORD

DATE		CONTENT
3-Jun-21	1E05G3HE	Publish
1-Feb-23	1E05G3JE	Add AU-HV3401W, 3950Q, Handpiece, Monitor bracket, Wiring diagram, and regularly update
26-Jun-23	1E05G3KE	Add CART spec. and regularly update
25-Sep-24	1E05G3LE	Add Accessory



Importer in U.S.A.

**BELMONT EQUIPMENT,**

**Division of Takara Belmont USA, Inc.**

101 Belmont Drive, Somerset, New Jersey 08873 U.S.A.

TEL.: (732) 469-5000 / (800) 223-1192

FAX.: (732) 356-1035

Importer in Canada

**TAKARA COMPANY, CANADA, LTD.**

2455 Meadowvale Blvd. Mississauga, Ontario L5N 5S2, Canada

TEL : (905) 816-8965

[www.belmont.ca](http://www.belmont.ca)

**BELMONT MANUFACTURING CO., LTD.**  
**(Manufacturer)**



Lot I-2, Long Duc Industrial Park, Long Duc Ward,

Long Thanh District, Dong Nai Province, Vietnam

TEL.: +84-2513-201-100 / FAX.: +84-2513-201-096