

# **BEL-50+ DENTAL CHAIR**

**Model : B-50**

## **Parts List**

**Ver. 02.2**

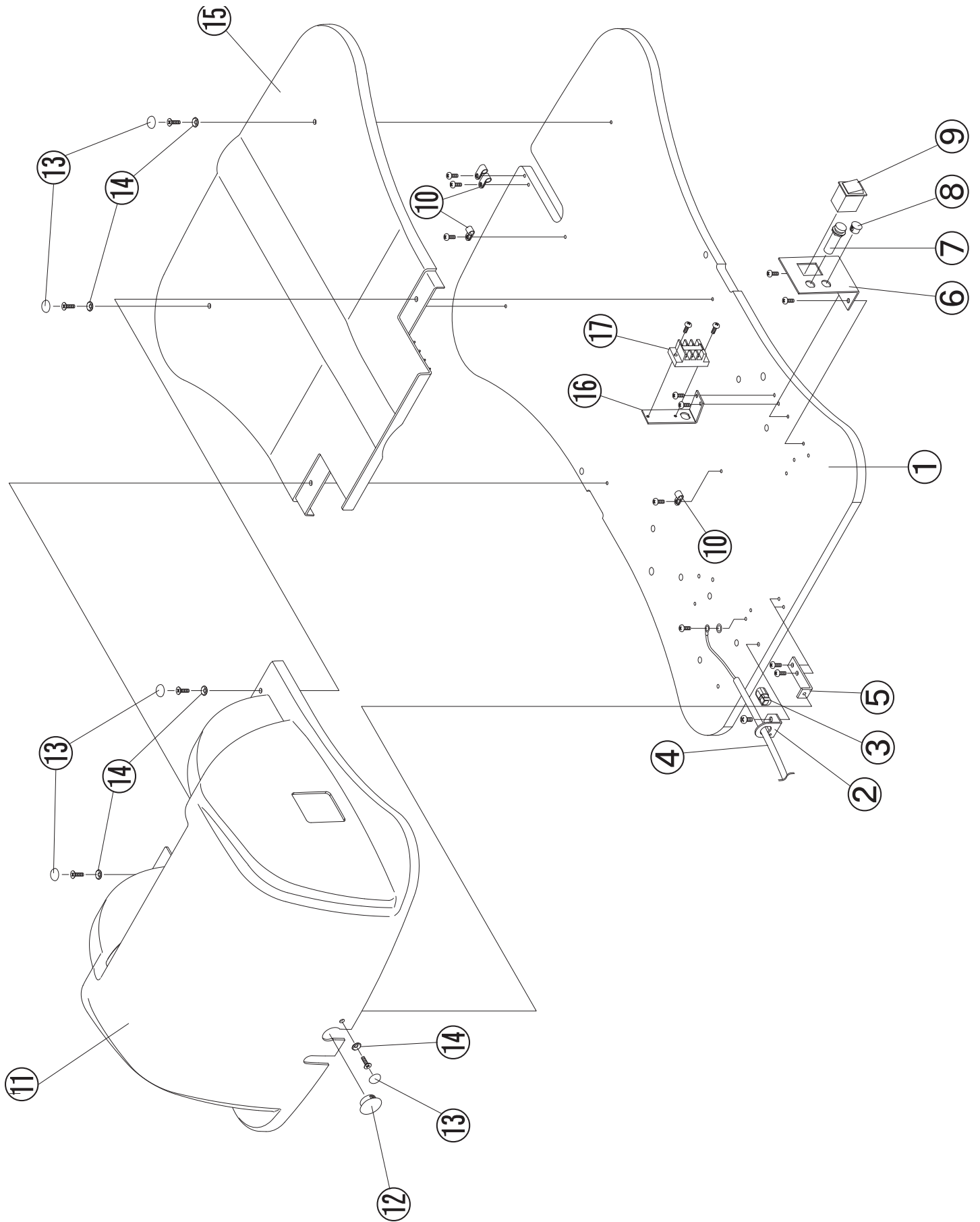
**November 12, 2010**

### **IMPORTANT**

- Not all of the parts indicated in these lists are available by itself. Some of the parts can only be supplied as an assembled unit with other parts.
- Parts design, description and parts numbers are subject to change without notice.
- Not all of the parts are available in stock of Takara Belmont USA Inc. Some of the parts need to be arranged at receipt of your firm purchase order.



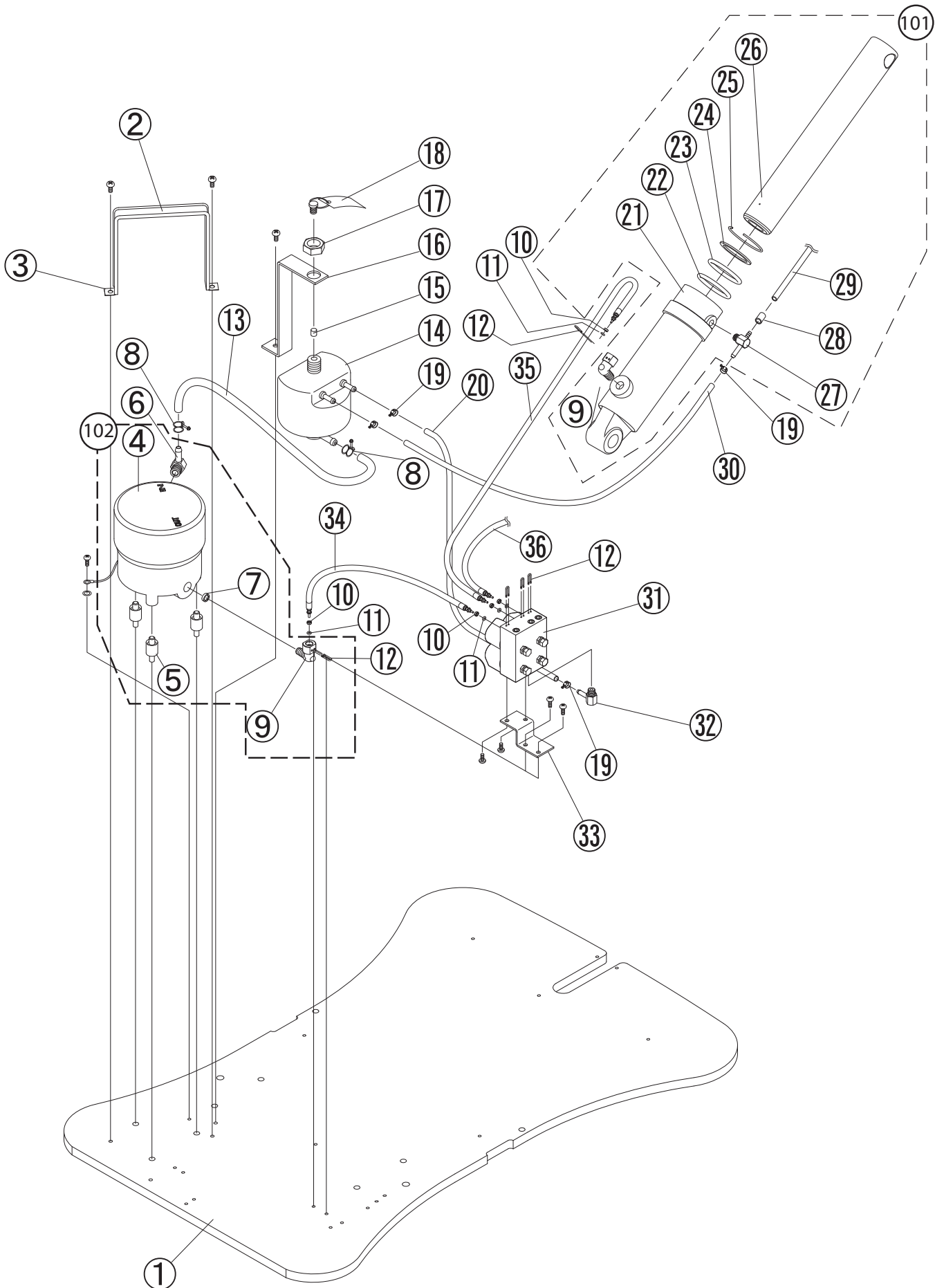
# 1. Base Section -1



## 1. Base Section -1

No.	Part No.	Description	Qty	Remark
1		Base Plate	1	DACA12A0
2		Wire Bracket	1	AAFR16A0
3		Strain Relief	1	AFNA70A0
4		Power Cord	1	1E00CNA0
5		Pump Cover Bracket	1	DACR77A0
6		Switch Bracket	1	DAQJ07A0
7		Fuse 10A (314010)	1	AEFS11A0
		Fuse Holder(MF-530)	1	AEFR92A0
8		Plug	1	AFNA73A0
9	C07DELR10AA	Switch	1	BELA20A0
10		Clamp	4	X-50520
11	B50HBCE63A0	Pump Cover	1	HBCE63B0
12		Hole Plug DP1000	1	AFER24A0
13	B50DEAS15A0	Cap for screw (white)	5	DEAS15A0
14	B50DEAS14A0	Washer (white)	5	DEAS14A0
15	B50HBCE64A0	Base Cover	1	HBCE64B0
16		Terminal Block Plate	1	AAFR19A0
17		Terminal Block	1	AEFU22A0

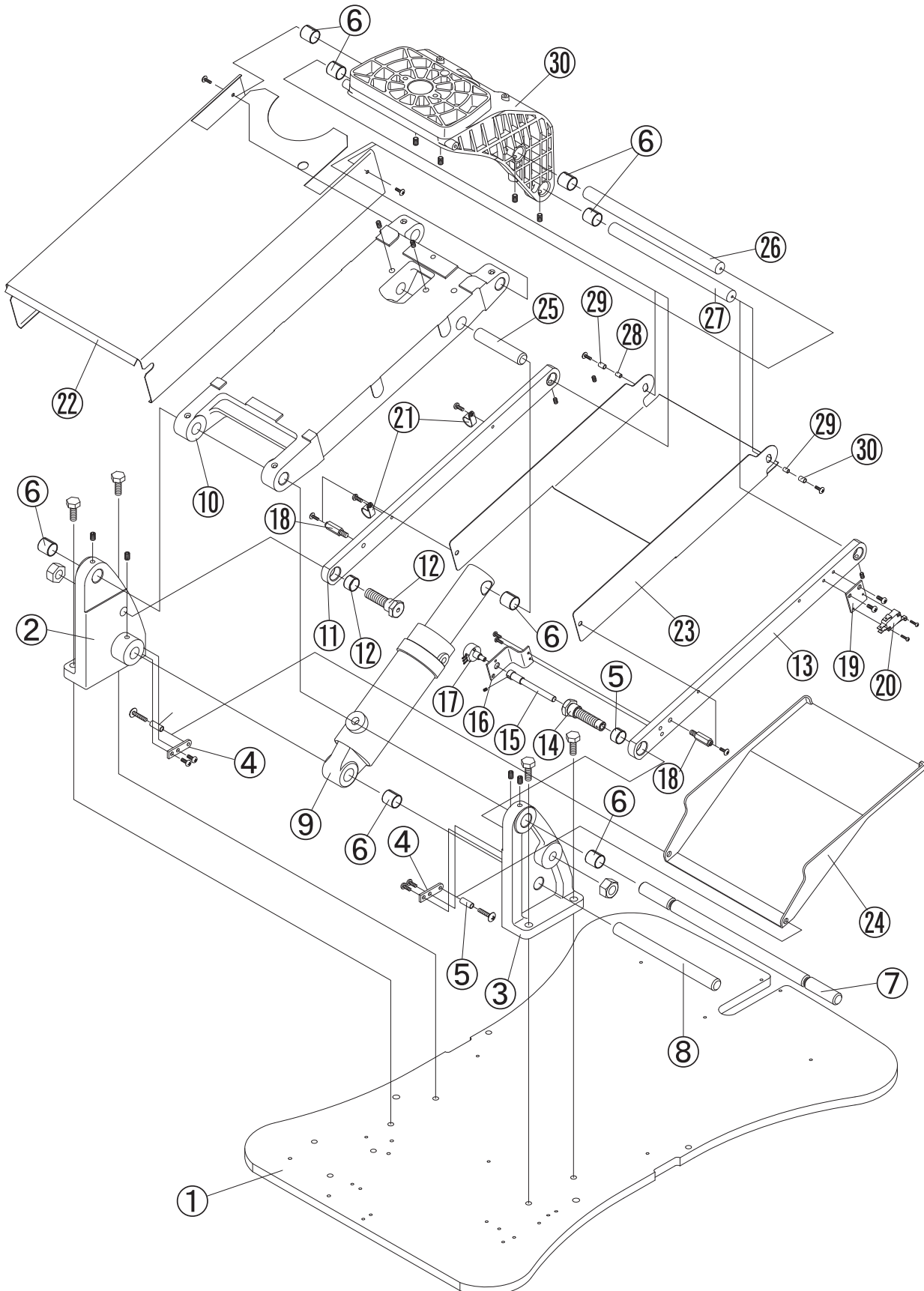
## 2. Base Section -2



## 2. Base Section -2

No.	Part No.	Description	Qty	Remark
1		Base Plate	1	DACA12A0
2		Motor Clamp Belt (rubber)	1	S-30200
3		Motor Clamp (metal)	1	AABN13A0
4		Motor Pump Assembly (115V 5LP)	1	DETS17A0
5		Motor Mount (shock absorber rubber)	3	R-12140
6		L shaped Motor Nipple	1	AANF60B0
7		Strainer	1	F-61330
8		Hose Clamp	2	ABNH95B0
9		Elbow Joint 01	2	SALA06C0
10	B10Q6241	O-Ring Retainer	5	AANF59B0
11	B10F3470	O-ring (P-3)	5	AEND86A0
12	B10Q6237	U shaped Pin	5	ABNL93B0
13		Low Pressure Hose (oil reserver to Motor)	0.34m	AENL15A0
14	B10C3244	Oil Reserver	1	AAFE57A0
15		Oil Filter	1	F-61420
16		Oil Reserver Bracket	1	DACJ52A0
17		Nut	1	AANK19B0
18		Rubber Plug	1	F-61701
19		Wire Clamp	4	ABNH94B0
20		High Pressure Hose 400mm (oil reserver to solenoid valve unit)	0.4m	AENL14A0
21		Base Cylinder	1	1A00ZPA0
22		O-Ring (T-127)	1	AENE20A0
23		O-Ring (P-45)	1	AENE04A0
24		Felt Ring	1	F-34270
25		Felt Ring Retainer	1	F-34810
26		Ram Shaft (44.7 x 308L)	1	ERPJ05A0
27		T-Joint	1	AAES32A0
28		Tube	0.01m	X-55140
29		Low Pressure Hose (UN-1/4 4-6 Black)	1.35m	X-55130
30		Low Pressure Hose (5 x 10 x 1B) 400mm	0.4m	AENL14A0
31		Solenoid Valve Assembly (115V)	1	AGFR27A0
32		L shaped Hose Nipple	1	AANF63B0
33		Solenoid Support Bracket	1	AAER82A0
34		High Pressure Hose (φ3×350L)	1	AENL72B0
35		High Pressure Hose (φ3×520L)	1	AENL74B0
36		High Pressure Hose (φ3×1400L)	1	AEFS03A0
101	B10503720	Base Cylinder ass'y with fittings	1	ASBA15A0
102	B10D6065	Motor pump with harness and fittings	1	1S006DA0
103	B10X8083	Solenoid valve assembly with fittings	1	1S0033A0

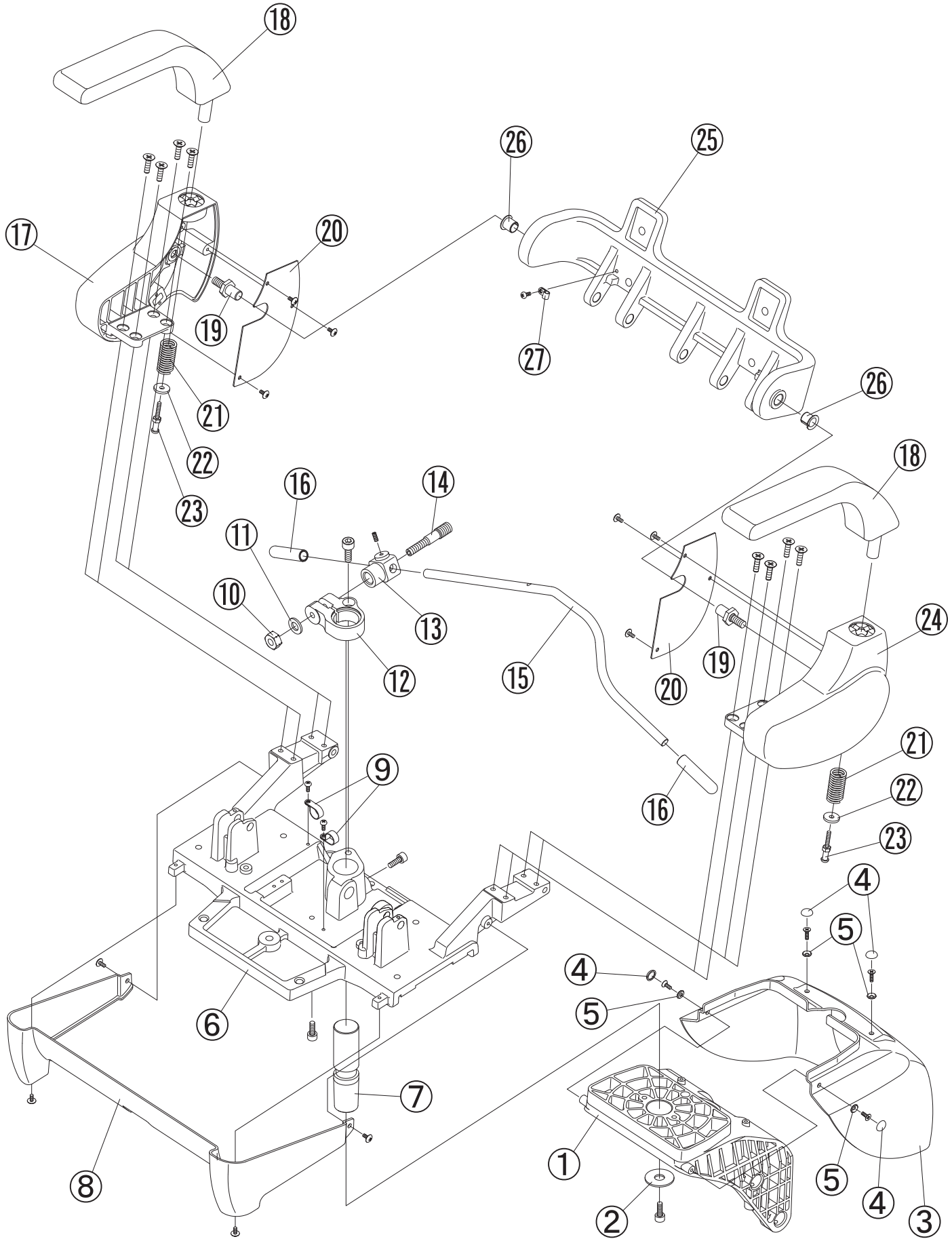
### 3. Base Section -3



### 3. Base Section -3

No.	Part No.	Description	Qty	Remark
1		Base Plate	1	DACA12A0
2		Link Bracket (right)	1	AADE01A0
3		Link Bracket (left)	1	AADE02A0
4		Bracket for Sub-Link Cover	2	DAQR02A0
5		Spacer 6 x 20L	2	DEQR03B0
6		DU Bushing □K5B1812	10	AEAN06C0
7		Carriage Bar	1	DARJ59B0
8		Link Pin A	1	P-34400
9		Base Cylinder	1	DZRR03A0
10		Main Link	1	DARE41A0
11		Sub Link (right)	1	DAQJ02A0
12		Sub Link Pin	1	G-01230
13		Sub Link (left)	1	DAQJ03A0
14		Sub Link Pin	1	DAQR03A0
15		Volume Adjust Knob	1	DAQR04A0
16		Bracket for Volume	1	DAQR05A0
17	G-C0035	Potentiometer(Before Nov 2010 Production)	1	ANDR35A0
17		Potentiometer(In/ater Nov 2010 Production)	1	1A09KNA0
18		Spacer	2	DAQR06B0
19		Switch Plate	1	G-00870
20	B10X6313	Micro Switch	1	DNBR78A0
21		Clamp 3/4	2	X-50540
22	C07DAQ-B02A0	Main Link Cover	1	AADB22A0
23		Sub Link Cover	1	DAQE03A0
24	C07HAR-E07A0	Sub Link Cover (lower)	1	HBBE06B0
25		Cylinder Pin (upper)	1	R-31950
26		Link Pin for Main Link	1	DAQJ05A0
27		Link Pin for Sub Link	1	DAQJ04A0
28		Spacer	2	AEFS06A0
29		Tube		X-70680
30		Flange	1	DACA16B0

# 4. Seat Section -1

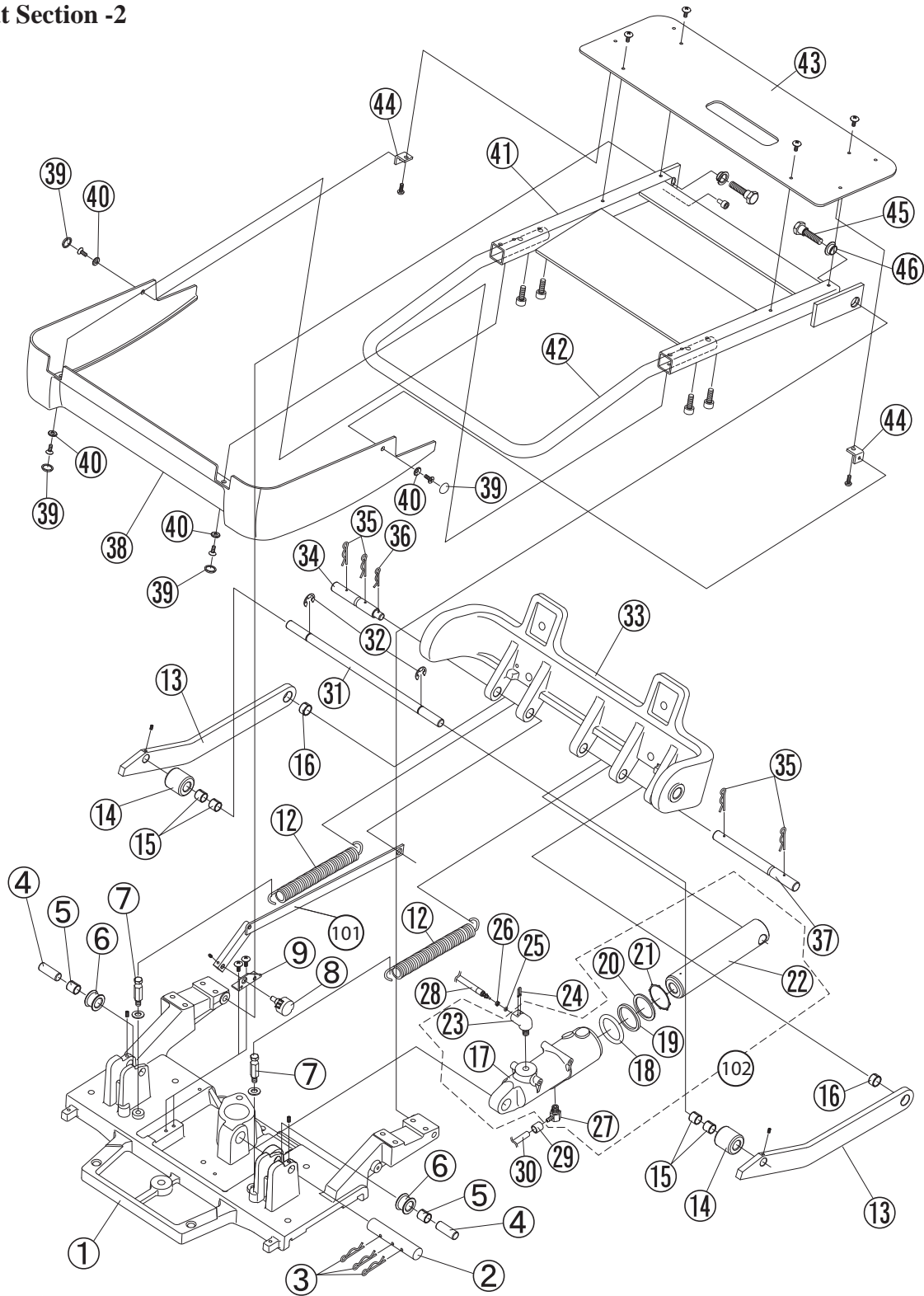




#### 4. Seat Section -1

No.	Part No.	Description	Qty	Remark
1	B50DACA16A0	Flange	1	DACA16B0
2		Washer	1	AAET63A0
3	B50HACE66A0	Flange Cover	1	HACE66A0
4	B50DEAS15A0	Cap for screw (white)	4	DEAS15A0
5	B50DEAS14A0	Washer (white)	4	DEAS14A0
6		Rotating Flange	1	AADA14A0
7	B50DACR82A0	Rotating Shaft	1	DACR82A0
8	B50HACE67A0	Rotating Flange Cover	1	HACE67A0
9	B50Q31130	Clamp 5/8	2	Q-31130
10	B10U2102	Lock-Nut	1	U-21020
11		Washer M12	1	
12	B10E6017	Clamping Body	1	AAFK23A0
13	B50U35392	Lock-Nut	1	U-35390
14	B10F6104	Lock Shaft	1	F-61040
15	B10K3496	Lock Lever	1	DACE44B0
16	B10G0050	Lock Lever Cap	2	G-00500
17	B50DACA13A0	Side Frame (right)	1	DACA13B0
18	B10M3532G	Armrest	2	DARE44A0
19	B50DACR80A0	Rotating Shaft	2	DACR80A0
20		Side Cover (right/left)	1/1	AADJ13B0/ AADJ14B0
21	B10Q3505	Armrest Spring	2	Q-35050
22	B10Q3503	Flat Washer	2	Q-35030
23	AADR06B0	Screw	2	AADR06B0
24	B50DACA14A0	Side Frame (left)	1	DACA14B0
25	B50DACB24A0	Back Support	1	DACB24B0
26	B50AFNB07A0	DU BUSHING DUF1415-22	2	AFNB07C0
27		Clamp	1	X-50520

## 5. Seat Section -2

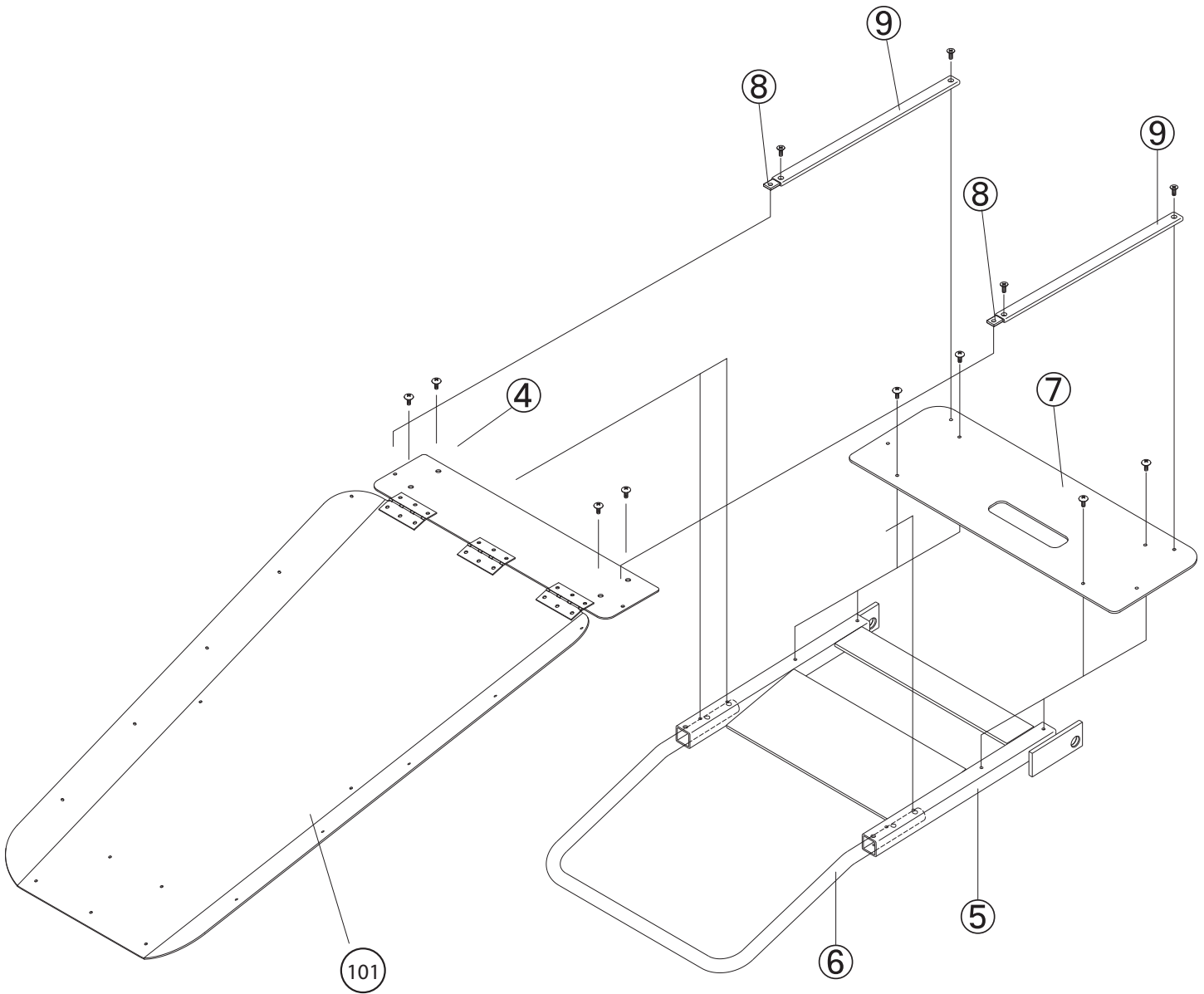


No.	Part No.	Description	Qty	Remark
1		Rotating Flange	1	DACA14B0
2		Reclining Cylinder Pin	1	U-3526
3		Cotter Pin	3	
4		Tilt Roller Pin	2	DACR81A0
5		DU Bushing DUB1215	2	AEES49B0
6		Roller	2	DARR16A0
7		Hook for spring	2	AAET37A0

## 5. Seat Section -2

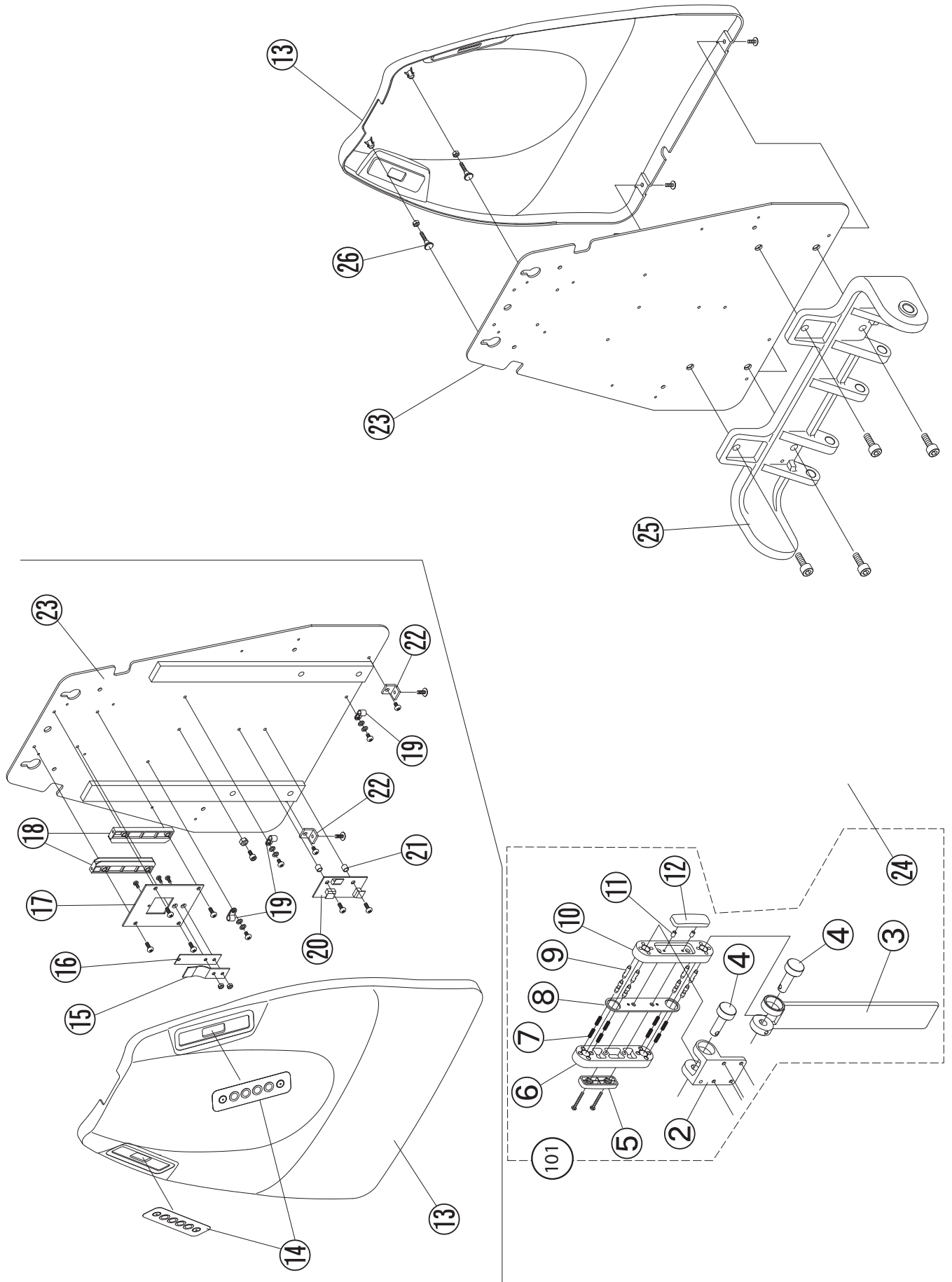
No.	Part No.	Description	Qty	Remark
8	G-0027	Potionmeter Ass'y (Before Nov 2010 Production)	1	ANDR36A0
8		Potionmeter Ass'y (In or after Nov 2010 Production)	1	1A04QSA0
9		Potionmeter Bracket	1	AAFR20A0
10		Link for Volume (small)	1	AAFR02A0
11		Link for Volume (large)	1	AAEJ83A0
12	B10T3962	Reclining Spring	2	G-01300
13		Tilt Bar	2	AADE51B0
14	B50DAB-R26A0	Roller for Tilting	2	DABR26A0
15		DU Bushing DUB1212	4	AEES48B0
16		DU Bushing DUB1408	2	DEMS40AA
17		Reclining Cylinder	1	DAPF04A0
18		O-Ring 5.5 x 34.6 x 45.6	1	AENE25A0
19		Hex-Ring 41.4 x 34.6 x 3.5	1	DEAS42A0
20		Felt Ring	1	ABNJ86A0
21		Felt Ring Retainer	1	AAFR22A0
22		Ram Shaft (34.7 x 171L)	1	ERPJ03A0
23		Elbow (Elbow)	1	SALA05C0
24	B10Q6237	U-Pin	1	ABNL93B0
25	B10F3470	O-Ring	1	AEND86A0
26	B10Q6241	O-Ring Retainer	1	AANF59B0
27		Reclining Cylinder Nipple	1	AAES26A0
28		High Pressure Hose □to Solenoid Valve)	1	U-50350
29		Hose Sleeve	1	X-55140
30		High Pressure Hose (to Cylinder)	1	X-55130
31		Tilt Link Pin	1	DACJ57A0
32		E-Ring	2	
33		Back Support	1	DACB24B0
34		Pin for Reclining (small)	1	DACR79A0
35		Cotter Pin	4	
36		Cotter Pin	1	
37		Pin for Reclining (largel)	1	DACJ55A0
38	B50HA-CE68A0	Tilt Cover	1	HADA14A0
39		Cap for Screw (white)	4	DEAS15A0
40		Washer (white)	4	DEAS14A0

## 6. Seat Top



No.	Part No.	Description	Qty	Remark
1		Seat Cushion	1	
2		Metal Seat (front)	1	DAPB29A0
3		Hinge	3	X-67600
4		Metal Seat (middle)	1	DACE37A0
5		Seat Frame	1	AADB51A0
6		Legrest	1	AADB12A0
7		Seat Support Plate	1	DACE45A0
8		Velcro Plate	2	DACJ56A0
9		Velcro Strip	2	DACJ65A0
101	AXEA02A0	Seat plate ass'y	1	ASEA02A0

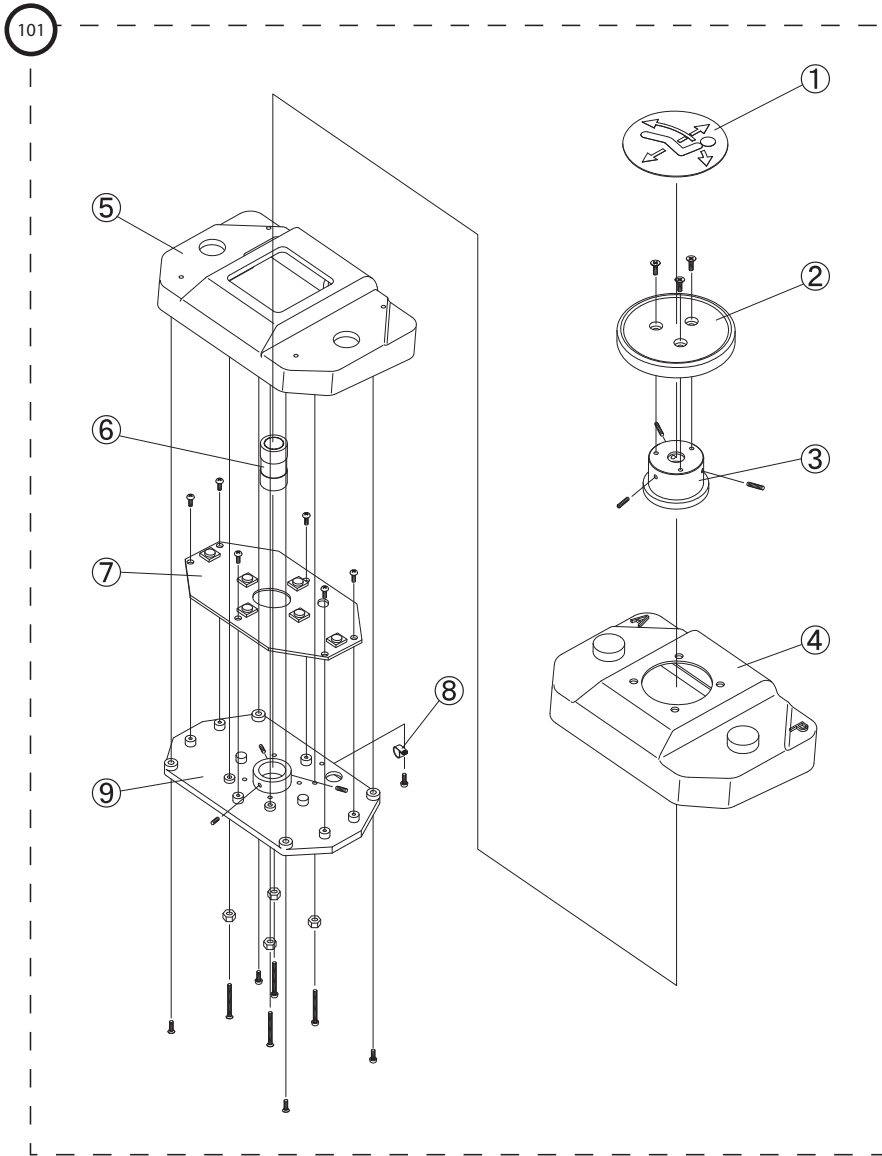
## 7. Headresta and backrest



## 7. Headresta and backrest

No.	Part No.	Description	Qty	Remark
1		Headrest Cushion	1	
2		Headrest Knuckle	1	AADR80B0
3		Headrest Bar	1	AADJ58A0
4		Link Pin	2	AADR82A0
5		Headrest Lever (right)	1	DAOR61B0
6		Headrest Link (right)	1	J-36901
7		Spring	8	F-63590
8		Lock Plate	1	AAET61A0
9		Pin	8	U-37990
10		Headrest Link (left)	1	J-36911
11		Spacer	2	AEFS06A0
12		Headrest Lever (left)	1	DAOR62B0
13	B50HBCE65A0	Backrest Cover	1	HBCE65B0
14	DACJ53A0	Membrane Switch	2	AADJ38B0
15	B10S3739	Spring	1	S-37390
16	B10S3740	Rubbing Block	1	S-37400
17	B10S3738	Spring Plate	1	AAET59A0
18	B10U3534	Headrest Guide	2	U-35340
19		Clamp	3	X-50520
20	B50DNRJ02A0	PCB TR-UNI98TI	1	DNRJ02B0
21		Spacer	2	AEFS09A0
22		Bracket	2	AAER88A0
23		Backrest Frame	1	DACB23A0
24		Backrest Cushion	1	
25		Back Support	1	DACB24B0
26	B50DAQR48A0	Bolt	2	DAQR48B0
101	B10350851W	Headrest Mechanism Ass'y (WHITE)	1	ASEA01A0

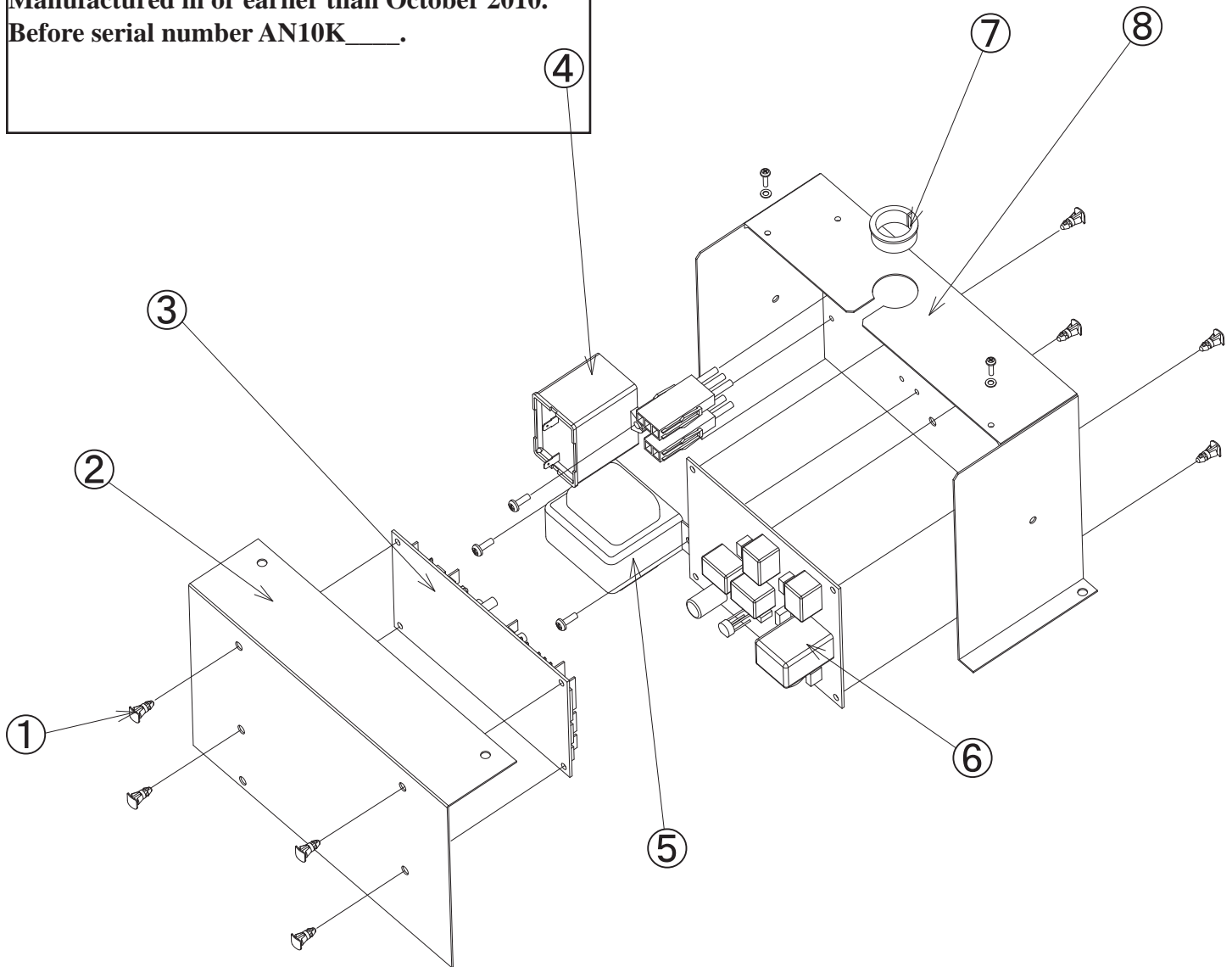
## 8. Foot Switch



No.	Part No.	Description	Qty	Remark
1	B10X7322	Label	1	R-32460
2	B10T3271G	Disk	1	DAOJ76A0
3	B10U3135	Cap	1	U-31350
4	B10K3276G	Rubber Cover	1	DAPE62A0
5	B10K3275	Foot Control Body	1	K-32750
6	B10U3180	Set Screw	1	AAFU87A0
7	B10X7898	Foot Switch P.C. Board	1	AGFR45A0
8		Clamp	1	X-50520
9	B10K3191	Switch Plate	1	K-31910
101	B50AYDR07A0	Foot switch ass'y	1	AYDR07A0

## 9-1. PC boards and transformers

Manufactured in or earlier than October 2010.  
Before serial number AN10K\_\_\_\_.

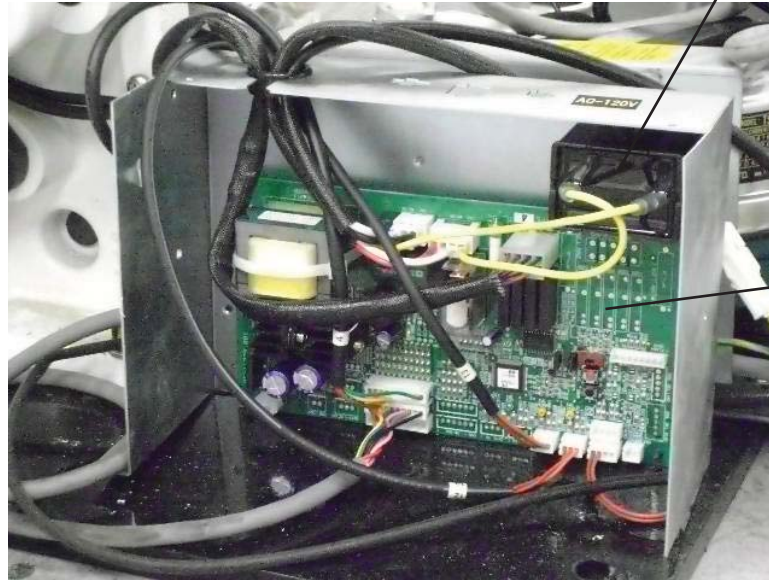


No.	Part No.	Description	Qty	Remark
1		Spacer	8	DELR09AA
2		PCB Case	1	DACE02B0
3		Main P.C. Board	1	DNCJ06A0
4	B10X0052	MF Condenser □45μ 220VAC	1	AATP26A0
5-1	B10X2801	Transformer (115V) TK-115US-2 for chairs manufactured in February 2010 or older. Earlier than s/n AN10B0128.	1	X-28010
5-2		Transformer (120V) TK-120V-2H for chairs manufactured in February 2010 with S/N AN10B0128 or later	1	1G004VA0
6		Relay PC Board	1	AGER31A0
7		Bushing OCB100	1	XX-387240352
8		PCB Case	1	AAFF67A0



## 9-2. PC boards and transformers

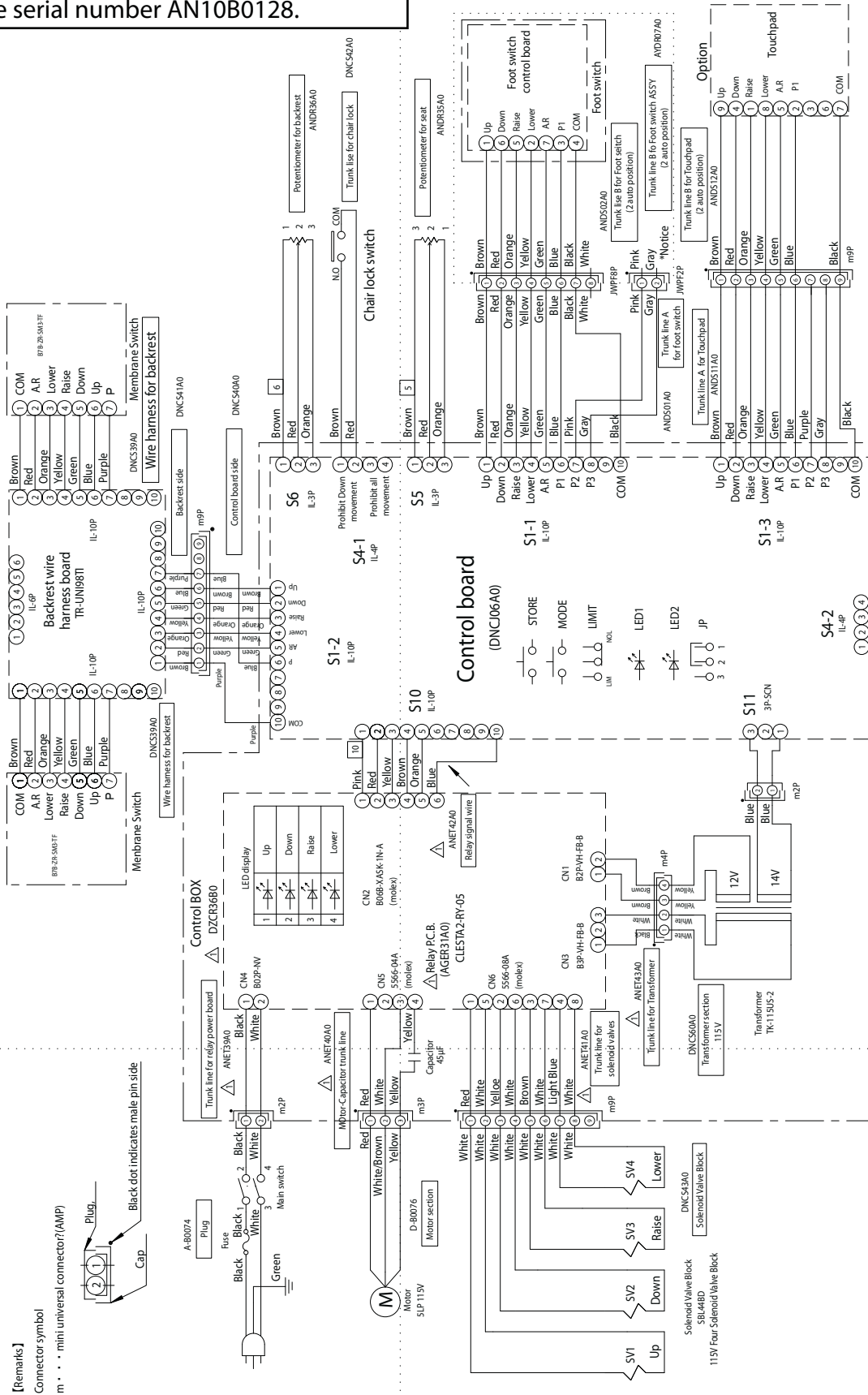
Manufactured in or later than November, 2010  
After serial number AN10K0001.



No.	Part No.	Description	Qty	Remark
1		Main P.C. Board M2PlatformT4	1	1G01GYA0
4	B10X0052	MF Condenser □45μ 220VAC	1	AATP26A0

# 10 - 1. Electric Diagram No.1

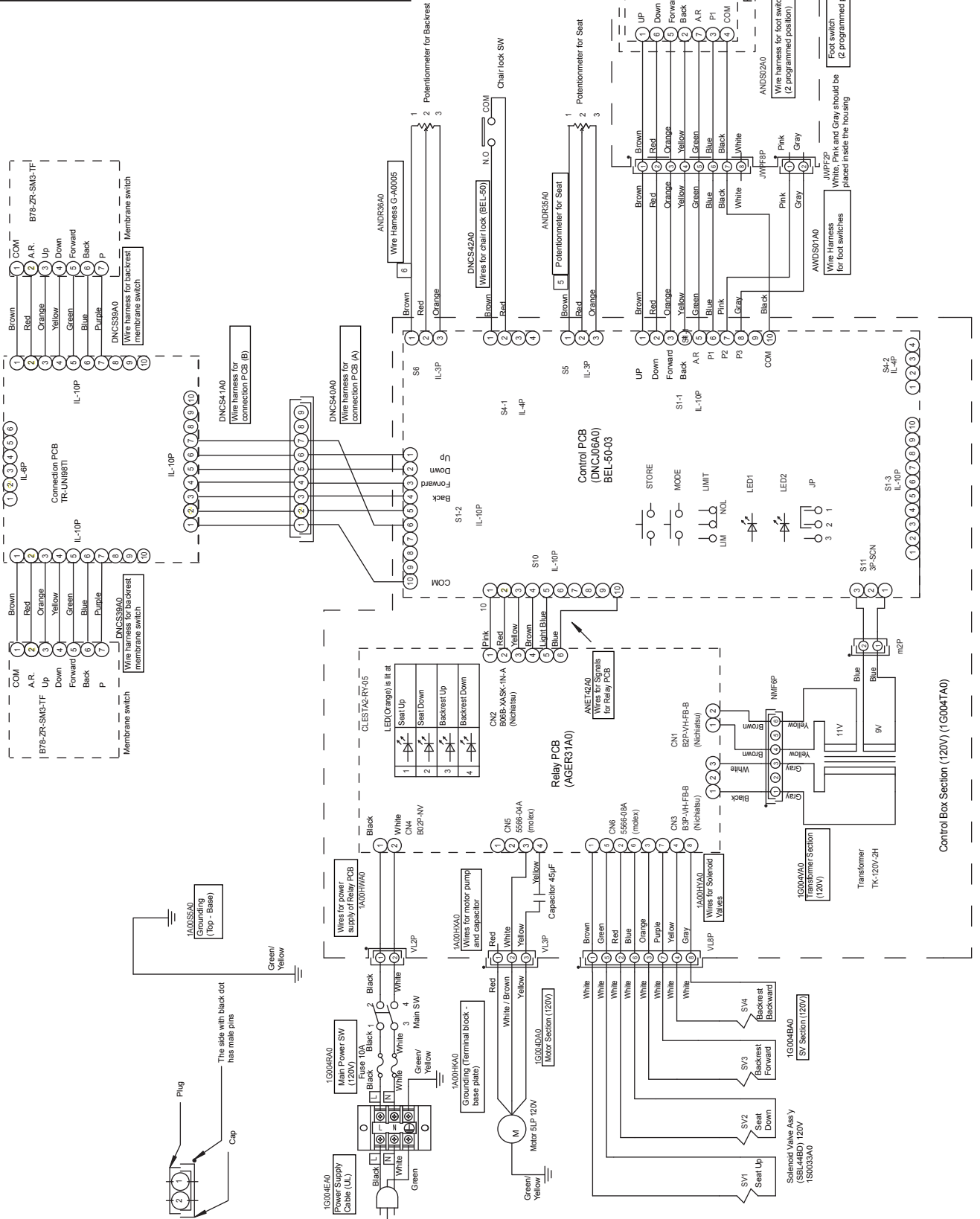
Manufactured in or earlier than Feb 2010.  
Before serial number AN10B0128.



\*Notice) White, Pink and Gray line has been connected in the housing for waterproof

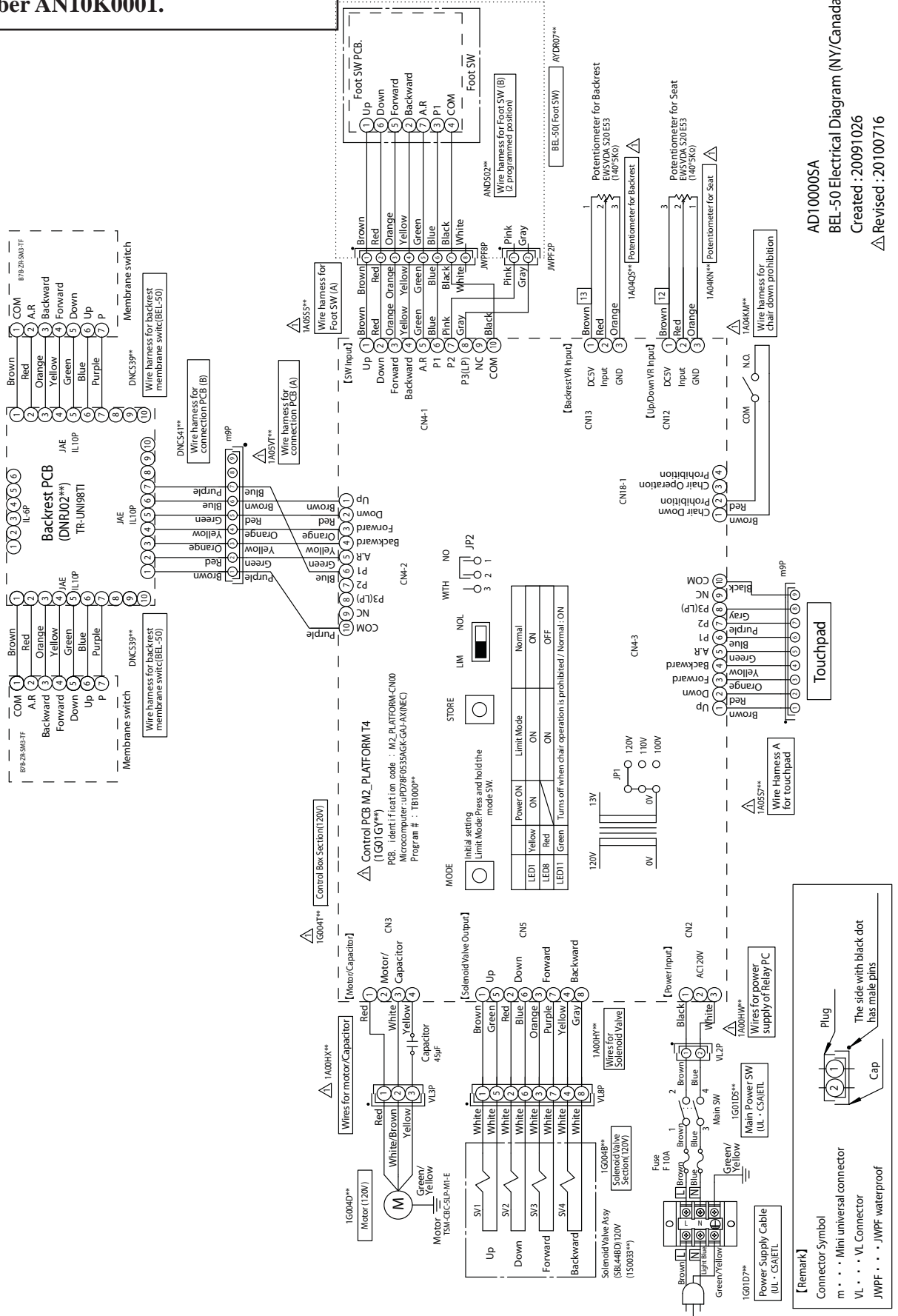
# 10 - 2. Electric Diagram No.2

Manufactured in or later than Feb 2010  
Serial number AN10B0128 and after



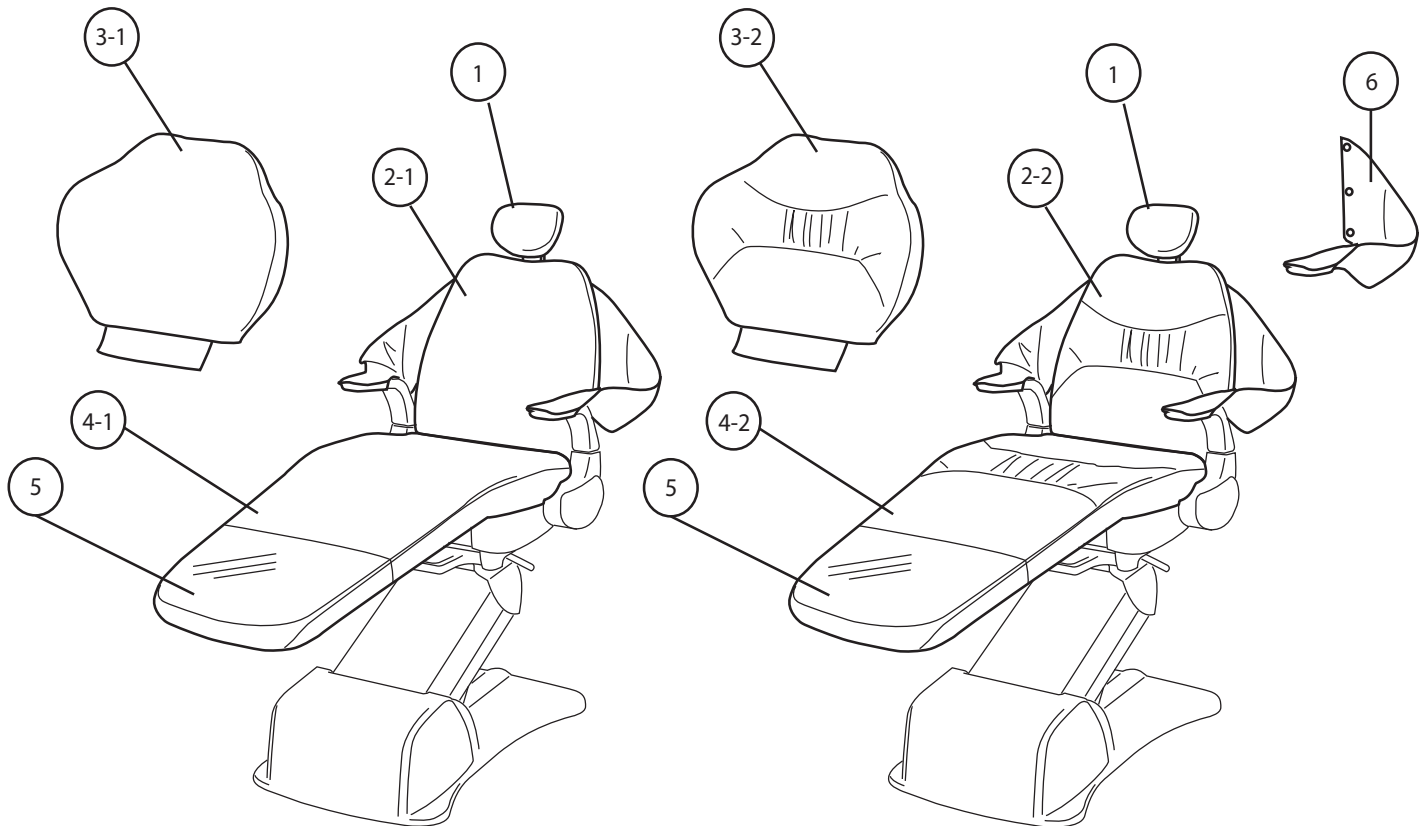
# 10 - 3 Electric Diagram No.3

Manufactured in or later than November, 2010  
 After serial number AN10K0001.



AD100005A  
 BEL-50 Electrical Diagram (NY/Canada)  
 Created : 20091026  
 Δ Revised : 20100716

## 11. Upholstery Section



No.	Part No.	Description	
1	B20HR (+ Color code)	Headrest upholstery for replacement	1
2-1	SWSLBK(+ Color code)	Back rest (Standard, Narrow, with slings) upholstery for replacement	1
2-2	PWSLBK(+ Color code)	Back rest (Plush, Narrow, with slings) upholstery for replacement	1
3-1	SWOSBK (+ Color Code)	Back rest (Standard, Wide, without sling) upholstery for replacement	1
3-2	PWOSBK (+ Color Code)	Back rest (Plush, Wide, without sling) upholstery for replacement	1
4-1	SWST (+ Color code)	Seat upholstery, Standard, for replacement	1
4-2	PWST (+ Color code)	Seat upholstery, plush, for replacement	1
5	B20CVRHP	Legrest protector for replacement	1
6	B99SLG (+ Color code)	Removable slings (pair)	
	SWSL (+ Color code)	Complete upholstery set, Standard, containing narrow backrest with slings	
	PWSL (+ Color code)	Complete upholstery set, plush, containing narrow backrest with slings	
	SWOS (+ Color code)	Complete upholstery set, standard, containing wide backrest without sling	
	PWOS (+ Color code)	Complete upholstery set, plush, containing wide backrest without sling	

# NOTE

Empty rounded rectangular box for notes.

BELMONT EQUIPMENT, Division of Takara Belmont USA, Inc.  
101 Belmont Drive Somerset, New Jersey 08873 U.S.A. TEL.:(732) 469-5000 / (800) 223-1192

