

PROIII 047

INSTALLATION INSTRUCTIONS

Table of Contents

1	Safety Consideration	
1-1	Risk Level Interpretation	3
1-2	Safety Precautions	4
2	Cautions regarding installation	
2-1	Precautions for installation	5
3	Conditions for installation site	
3-1	Capacity of power supply equipment to be used	6
3-2	Strength of the building required for installation	6
4	Installation	
4-1	Dimensions/Environmental Requirements	7
4-1-1	Dimensions	7
4-1-2	Environmental Requirements	7
4-2	Necessary tools and supplied parts	8
4-2-1	Necessary tools	8
4-2-2	Supplied parts	9
4-3	Installation procedures	10
5	Flow Diagram/Wiring Diagram	
5-1	Flow Diagram	14
5-2	Wiring Diagram	15

2019-07 (6th Edition)

REF

1E0796FE

1 Safety Consideration

1-1 Risk Level Interpretation

Precautions before use

Make sure to carefully read the Safety Precautions and Operating Precautions and use the product correctly.

These precautions are intended to ensure the safe use of the product and prevent harm or damage to users or other people. According to the magnitude of harm and damage and the degree of urgency, an incident that may be caused by misuse of the product is classified into one of the following categories: CONTRAINDICATION, WARNING, and CAUTION.

All of these categories are important for safety. Always follow the instructions provided.

We assume no responsibility for any accident due to failure to follow the Safety Precautions even in the event of harm or damage to users or other persons.

In such case, users or other persons who use the product without observing the Safety Precautions is responsible for any harm or damage incurred.

The graphical symbols are explained in detail below.

Once you have fully understood this explanation, read the text.

Classification by degree of harm or damage and urgency

CONTRAINDICATION

Use of the product without regard to this indication will create a hazardous condition that may result in death or serious injury.

WARNING

Improper handling of the product without regard to this indication will create a hazardous condition that may result in death or serious injury.

CAUTION

Improper handling of the product without regard to this indication will create a potentially hazardous condition that may result in moderate or slight injury or property damage.

The following graphical symbols are used to explain your responsibilities for using the product safely:

Graphical symbols for prohibited activity



Generally prohibited activity



Disassembly, repair or modification prohibited

Graphical symbol for mandatory instructions



Mandatory instructions for ordinary users

1-2 Safety Precautions

CONTRAINDICATION

Installing or transferring the product



Precautions regarding installation

Do not install the product near electromagnetic sources such as communication facilities or elevators.

Malfunction of this product may occur in the presence of electromagnetic interference waves.

Installing or transferring the product



WARNING

Precautions for installation

Make sure to place the product on a firm and flat floor.

Placing the equipment on a tilted floor ($\geq 5^\circ$) may cause it to fall.

To avoid the risk of electric shock, this equipment must only be connected to a supply mains with protective earth.

Failure or electric leak may result in electric shock.

Installation



Precautions for operating the chair

Before and during the chair operation, pay close attention to the operation range (seat raising/lowering direction, backrest lowering/raising direction, and legrest traveling direction), and ensure that the chair does not contact any body parts, hands or feet, or objects. Body parts, hands or feet, or objects may become caught in the chair, causing injury or damage to peripheral devices.

CAUTION

Installation



Cautions on Installation Work

Metal or mechanical parts of this product may have sharp edges or corners. Be careful to avoid injury to your hands and fingers during installation work.

2 Cautions regarding installation

2-1 Precautions for installation

1. While carrying the chair, make sure to hold only the designated parts. If not, it may lead to physical injury.
2. Confirm that the fixing bolts are tightened before carrying the chair.
3. Take care not to topple the equipment during transportation.
4. Do not drop, hit, or give a shock to the product.
5. Do not connect a power supply other than the rated voltage.
6. Make sure to connect ground wires.
7. When all the installation procedures have been completed, verify that each function works properly.

3 Conditions for installation site

3-1 Capacity of power supply equipment to be used

1. The power supply specifications of the installation site should be observed. Rated voltage and power supply input for each PRO III 047 are following below.

The minimum capacity of power supply equipment should have 1,500 VA and over.

Rated voltage	AC120V
Power frequency	60Hz
Power supply input	3.8A

2. Be sure to connect grounding.

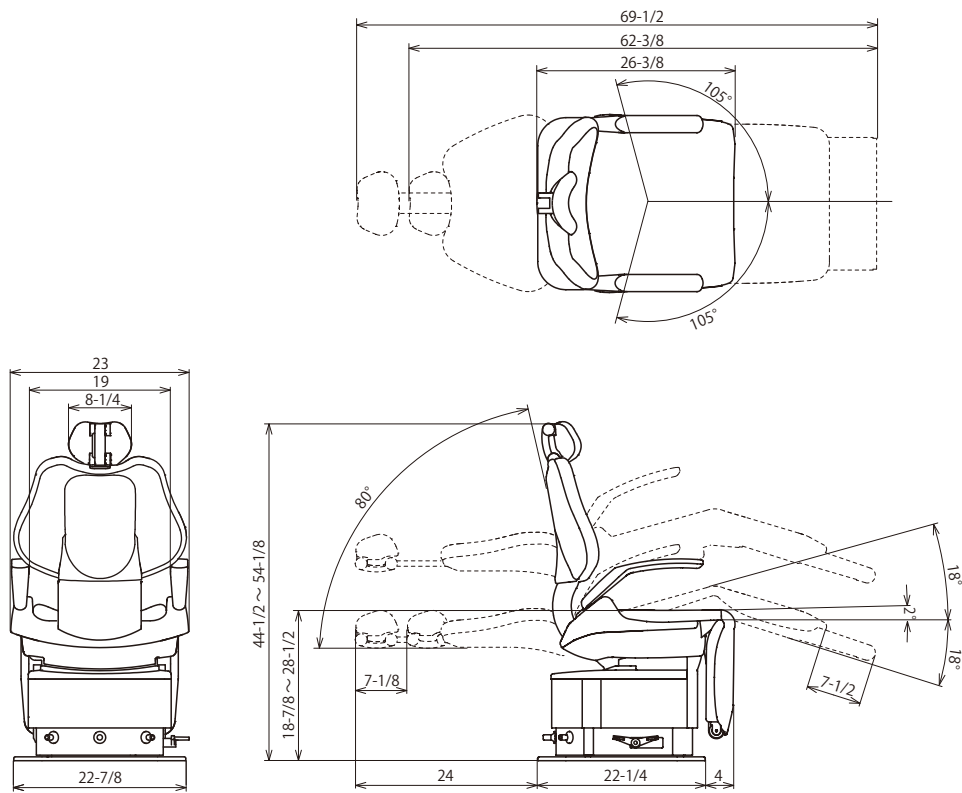
3-2 Strength of the building required for installation

1. The floor strength of the building should be $\geq 4,900 \text{ N/m}^2$.
2. As the floor material of the building, plywood with the thickness of 25 mm as recommended by Takara Belmont, or a composite material that combines plywood with the thickness of 15 mm and particle board with the thickness of 20 mm, should be used. Alternatively, a floor material with the strength greater than the above should be used.

4 Installation

4-1 Dimensions/Environmental Requirements

4-1-1 Dimensions



Unit: inch (Dimensional tolerance: ±10%)

*Dimensions and specifications are subject to change without notice.

4-1-2 Environmental Requirements

Usage environment	Temperature 0°C to 40°C
	Humidity 10% to 95%
	Atmospheric pressure 700 to 1060 hPa
Transportation/storage environment	Temperature -20°C to 70°C
	Humidity 10% to 95%
	Atmospheric pressure 700 to 1060 hPa

4 Installation

4-2 Necessary tools and supplied parts

4-2-1 Necessary tools

The table below shows the necessary tools for the installation of this product.

No.	Tool name	QTY.
1	Phillips screwdriver No. 1-3	1 for each
2	Monkey wrench (Max. opening width: 29 mm)	1
3	6-piece double head open end wrench set (5.5-24 mm)	1
4	8-piece hex key wrench set (1.5-8 mm)	1
5	Level	1

4 Installation

4-2-2 Supplied parts

The table below shows the supplied parts included in the chair.

Chair (unit)

No.	Part name	QTY.
1	Hex head flange screw TP-A, M8 × 30, black	4
2	Countersunk screw, M5 × 10, plated	2
3	Countersunk screw, M5 × 20, plated	2
4	Truss screw M4×6, plated	6
5	Truss screw, M5×8, chrome-plated	4
6	Headrest unit	1
7	Headrest cover	1
8	Backrest cover	1

Chair (cover parts)

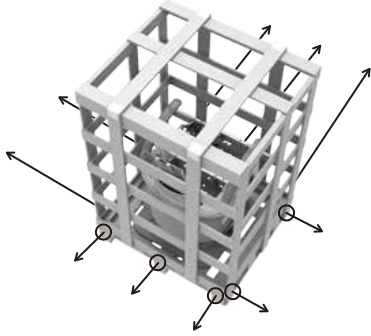
No.	Part name	QTY.
1	Seat	1
2	Backrest	1
3	Headrest	1
4	Roll-up legrest	1
5	Roll-up legrest cover	1

4 Installation

4-3 Installation procedures

1. Unpack the carton of the chair.

Remove TP-A, M4 × 35, plated (10 pieces) for packing.



2. Remove the chair from the skid.

Remove the hex coach bolts, M6 × 50, plated (4 pieces) that fix the base and skid.



3. Place the chair at the approximate location.

By holding the carriage bar, bring up the chair to move it out of the skid.



4. Remove the carriage bar by unscrewing hex bolts, M8 × 95, plated (4 pieces).



5. Remove the fixing bolts.

Remove the hex bolt, M10 × 120, plated (1 piece).

4 Installation

6. Attach the headrest.

(1) Attach the headrest to the headrest unit.

Fix the headrest with the countersunk screws, M5 × 8, plated (3 pieces).



(2) Attach the headrest cover.

Insert the catch of the headrest cover to the headrest.



7. Attach the backrest.

Fix the backrest with truss head screws, M5 × 8, chrome-plated (4 pieces).



8. Attach the backrest cover.

Insert the catch of the backrest cover to the backrest.

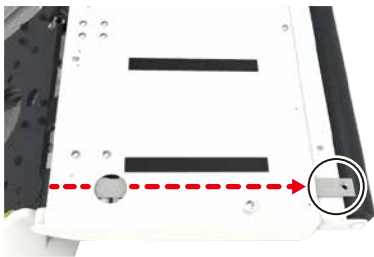


4 Installation

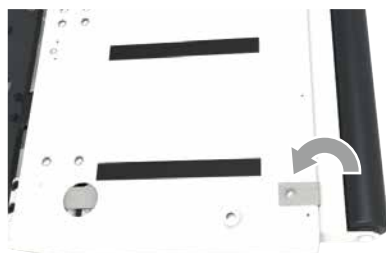


9. Attach the upholstery of roll-up.

- (1) Operate the preset switch (1 or 2) to raise the legrest.
- (2) Insert the belt of upholstery between roller and frame.

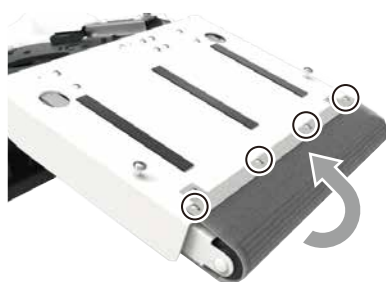


- (3) Pull out the belt of upholstery from frame of legrest.



- (4) Fold and attach the belt of upholstery with truss head screw, M4 × 6, plated (1 piece).

*Attach the opposite side of belt as well in procedure (2) - (4).



- (5) Fix the upholstery with truss head screws, M4 × 6, plated (4 pieces).

4 Installation



(6) Attach the front side of the roll-up cover with a hook-and-loop tape.



(7) Attach the back side of the roll-up cover with a hook-and-loop tape.



10. Attach the seat

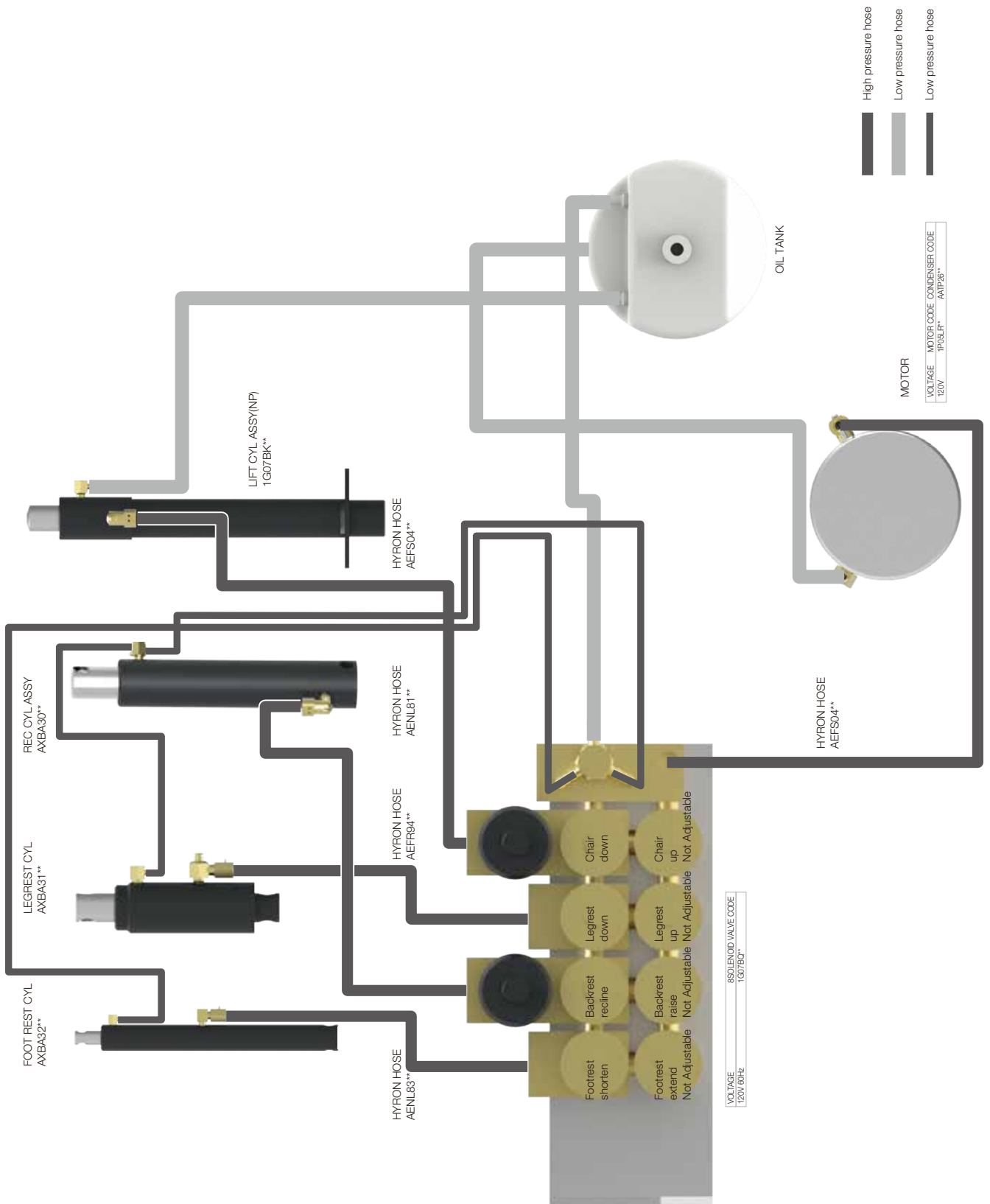


11. Fix the chair to the floor.

Use hex head flange screws, TP-A M8 × 30, black (4 pieces).

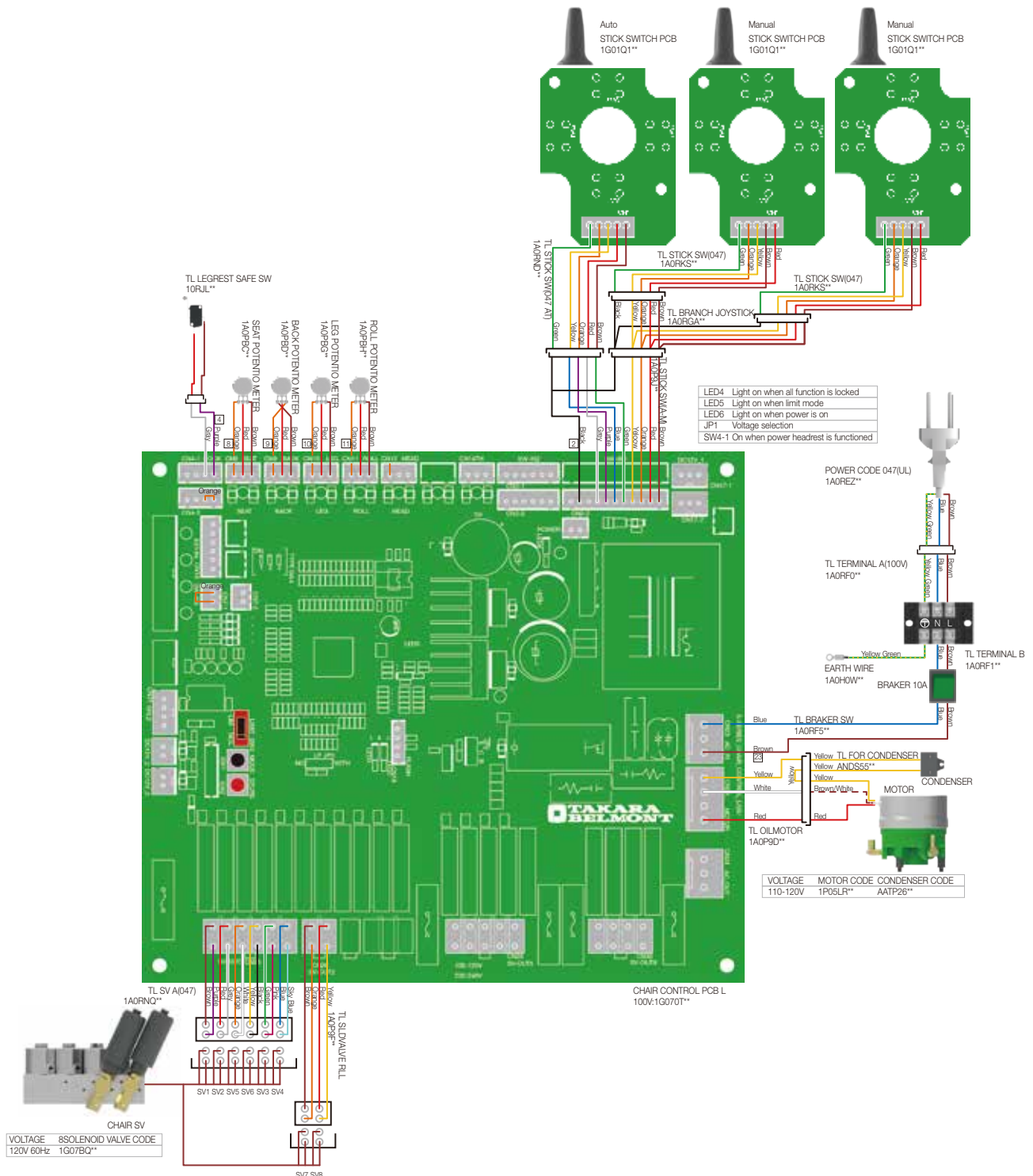
5 Flow Diagram/Wiring Diagram

5-1 Flow Diagram



5 Flow Diagram/Wiring Diagram

5-2 Wiring Diagram





Importer for U.S.A.

BELMONT EQUIPMENT,

Division of Takara Belmont USA, Inc

101 Belmont Drive, Somerset, New Jersey 08873 U.S.A.

TEL : (732) 469-5000 / (800) 223-1192

FAX : (732) 526-6322 / (800) 280-7504

Importer for Canada

TAKARA COMPANY, CANADA, LTD.

2455 Meadowvale Blvd. Mississauga, Ontario L5N 5S2, Canada

TEL : (905) 816-8965

www.belmont.ca

TAKARA BELMONT CORPORATION

2-1-1, Higashishinsaibashi, Chuo-ku, Osaka, 542-0083, Japan

TEL : +81-6-6213-5945

FAX : +81-6-6212-3680

