

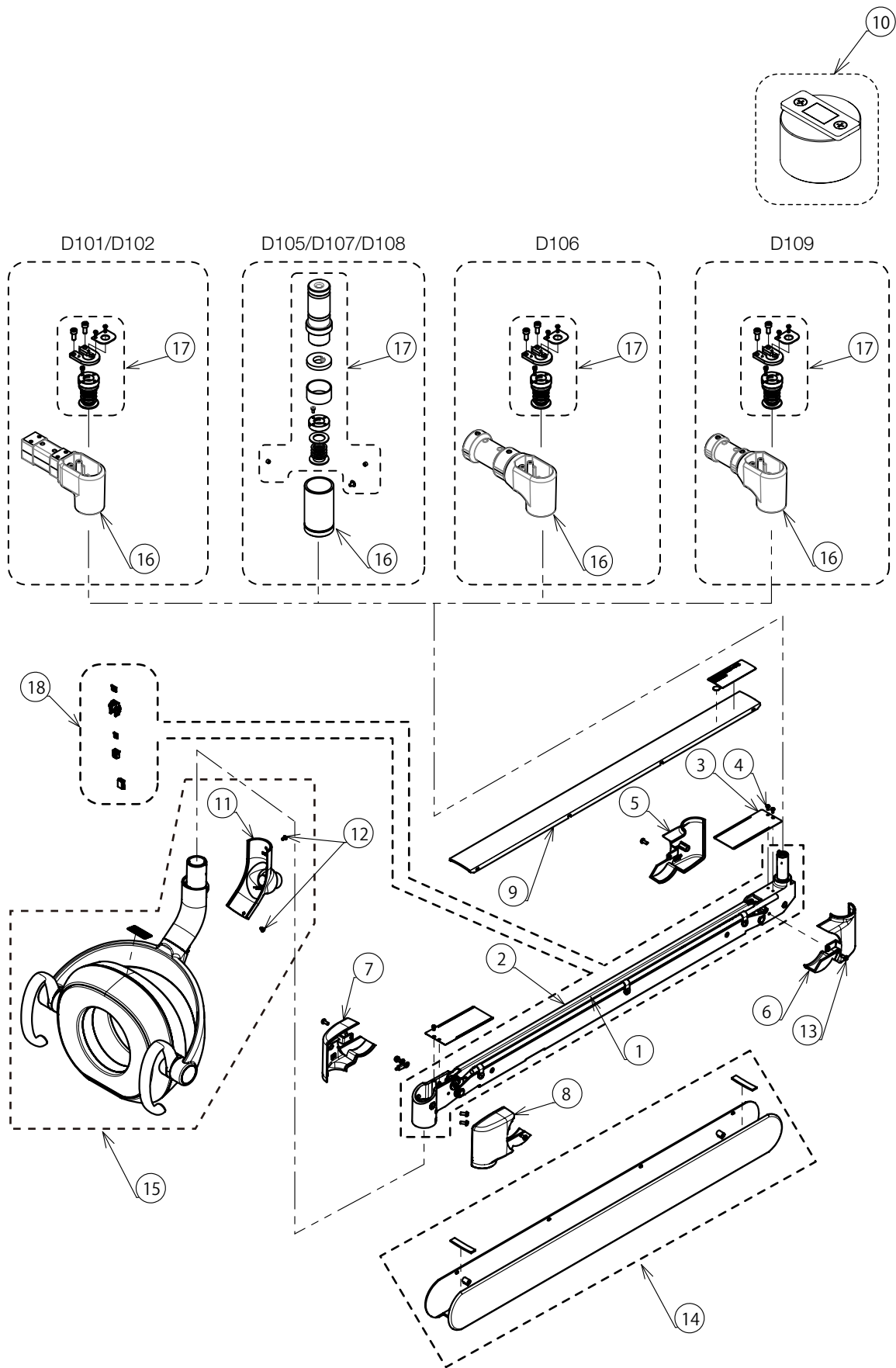
DRAFT

Bel-Nova DENTAL LIGHT PARTS LIST

TABLE OF CONTENTS

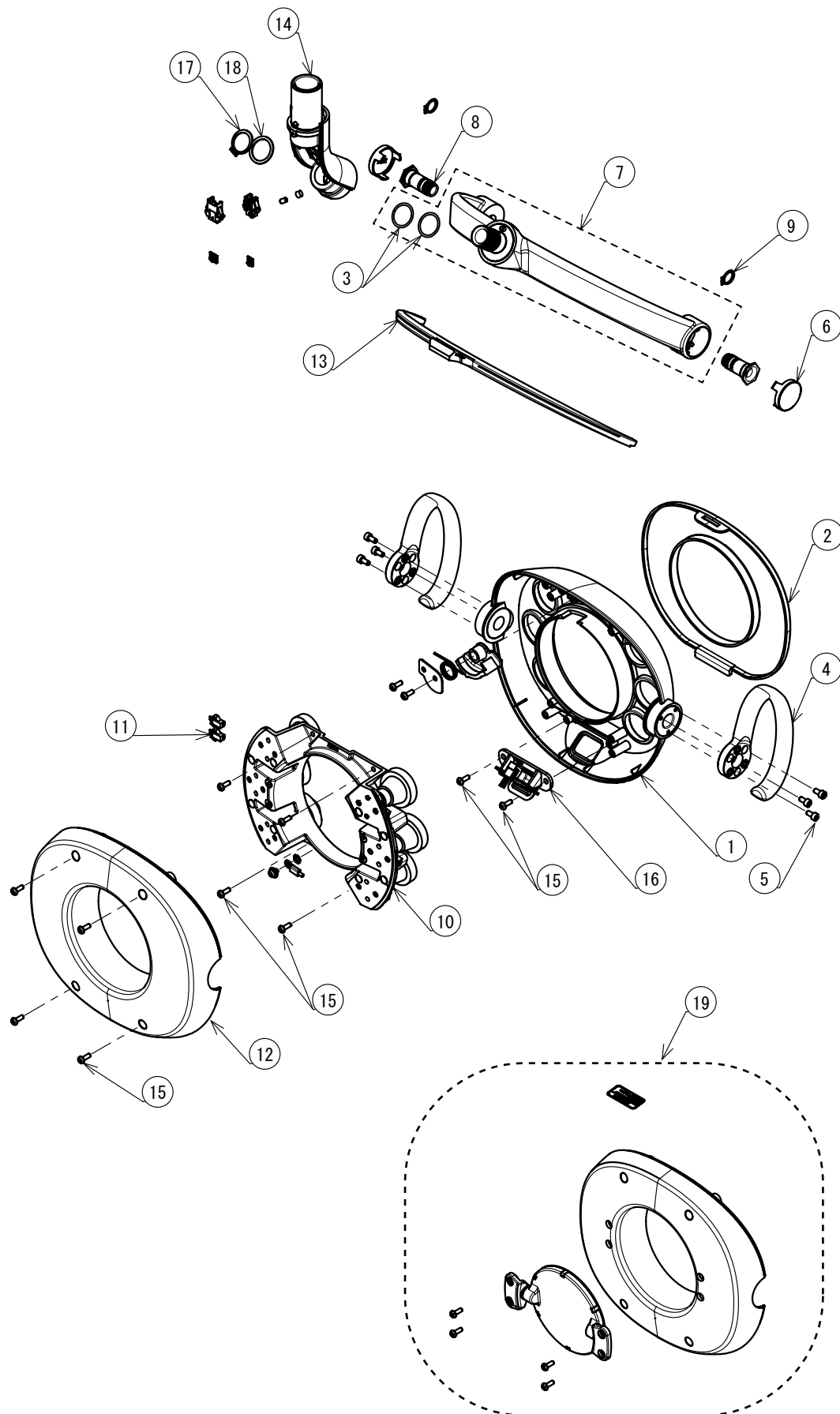
| | PAGE |
|---|------|
| 1 . LIGHT SECTION ----- | 1 |
| 2 . LIGHT HEAD ----- | 3 |
| 3 . YORK ----- | 5 |
| 4 . SENSOR ASSY ----- | 5 |
| 5 . POWER SUPPLY BOX (D101) ----- | 7 |
| 6 . POWER SUPPLY BOX (D102) ----- | 9 |
| 7 . POWER SUPPLY BOX (D105) ----- | 11 |
| 8 . POWER SUPPLY BOX (D106G-EV, D109) ----- | 13 |
| 9 . SWITCH BOX (D106G-EV, D109W-X) ----- | 15 |
| 10 . SWITCH BOX (D109W-XN) ----- | 17 |
| 11 . CEILING POLE (D102) ----- | 19 |
| 12 . TRACK (D105) ----- | 21 |

LIGHT SECTION



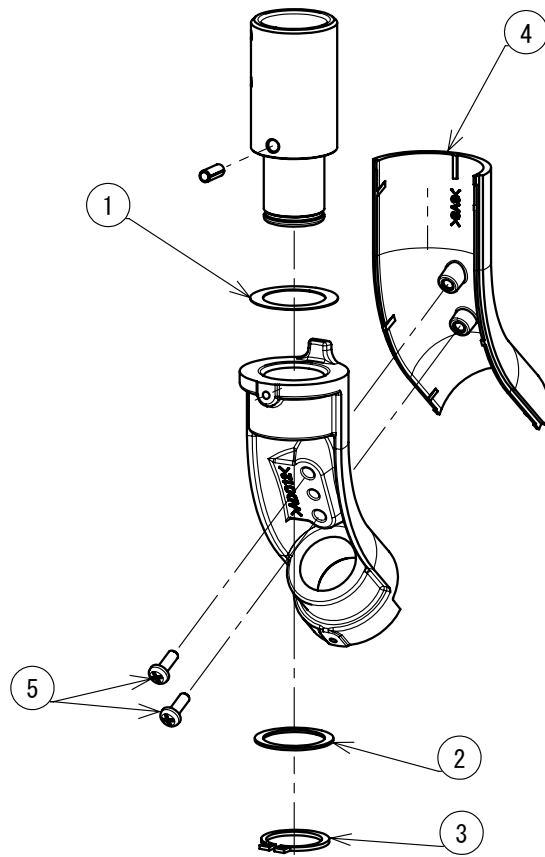
| NO. | ID | PARTS NO. | DESCRIPTION | QTY |
|-----|----------------|-----------|---|-----|
| 1 | G11 - 1A0STWA0 | | CABLE FOR LIGHT IN BALANCE ARM (D101/ D102) | 1 |
| | G11 - 1A0SU0A0 | | CABLE FOR LIGHT IN BALANCE ARM (D105 / D107 / D108) | 1 |
| | G11 - 1A0SUKA0 | | CABLE FOR LIGHT IN BALANCE ARM (D106G-EV / D109) | 1 |
| | G11 - 1A0SUQA0 | | CABLE FOR LIGHT IN BALANCE ARM (D106G-QU) | 1 |
| 2 | G11 - 1G0717A0 | | BALANCE ARM ASSY WITHOUT HARNESS | 1 |
| 3 | G11 - 1A0PLCB0 | | PROTECTION COVER FOR BALANCE ARM | 2 |
| 4 | G11 - ZA111JLY | | PAN HEAD SCREW M3x5 CHROME | 5 |
| 5 | G11 - 1A0PLAA0 | | BRACKET COVER (L) FOR SWING ARM (RAL9003) | 1 |
| | G11 - 1A0STBA0 | | BRACKET COVER (L) FOR SWING ARM (CN80) | 1 |
| 6 | G11 - 1A0PLBA0 | | BRACKET COVER (R) FOR SWING ARM (RAL9003) | 1 |
| | G11 - 1A0STCA0 | | BRACKET COVER (R) FOR SWING ARM (CN80) | 1 |
| 7 | G11 - 1A0PLDA0 | | BRACKET COVER (L) FOR LIGHT (RAL9003) | 1 |
| | G11 - 1A0STDA0 | | BRACKET COVER (L) FOR LIGHT (CN80) | 1 |
| 8 | G11 - 1A0PLEA0 | | BRACKET COVER (R) FOR LIGHT (RAL9003) | 1 |
| | G11 - 1A0STEA0 | | BRACKET COVER (R) FOR LIGHT (CN80) | 1 |
| 9 | G11 - 1A0PL9A0 | | UPPER COVER FOR BALANCE ARM (RAL9003) | 1 |
| | G11 - 1A0STGA0 | | UPPER COVER FOR BALANCE ARM (CN80) | 1 |
| 10 | G11 - 1P05HBA0 | | JIG FOR BALANCE ARM | 1 |
| 11 | G11 - 1G03JAA0 | | REAR COVER FOR YORK (RAL9003) | 1 |
| | G11 - 1G059EA0 | | REAR COVER FOR YORK (CN80) | 1 |
| 12 | G11 - CENB09AR | | FLAT HEAD SCREW M3x6 (RAL9003) | 2 |
| | G11 - CEGN77A0 | | FLAT HEAD SCREW M3x6 (CN80) | 2 |
| 13 | G11 - ZA111LPY | | PAN HEAD SCREW M4x8 CHROME | 6 |
| 14 | G11 - 1P05L9A0 | | LOWER COVER ASSY FOR BALANCE ARM (RAL9003) | 1 |
| | G11 - 1P063XA0 | | LOWER COVER ASSY FOR BALANCE ARM (CN80) | 1 |
| 15 | G11 - 1P05LAA0 | | LIGHT HEAD ASSY (RAL9003) | 1 |
| | G11 - 1P063YA0 | | LIGHT HEAD ASSY (CN80) | 1 |
| 16 | G11 - 1P063ZA0 | | SWIVEL ARM KNUCKLE (D101 RAL9003) | 1 |
| | G11 - 1P0640A0 | | SWIVEL ARM KNUCKLE (D101 / D102 CN80) | 1 |
| | G11 - 1G07WXA0 | | SWIVEL ARM KNUCKLE (D106 CN80) | 1 |
| | G11 - 1G080BA0 | | POLE JOINT (D105 / D107 / D108 CN80) | 1 |
| | G11 - 1G07WWA0 | | SWIVEL ARM KNUCKLE (D109 RAL9003) | 1 |
| 17 | G11 - 1P05LCA0 | | JOINT KIT (D101 / D102 / D106 / D109) | 1 |
| | G11 - 1P0641A0 | | JOINT KIT (D105 / D107 / D108) | 1 |
| 18 | G11 - 1P0642A0 | | BALANCE ARM ASSY WITH HARNESS (D101/ D102) | 1 |
| | G11 - 1P0643A0 | | BALANCE ARM ASSY WITH HARNESS (D105 / D107 / D108) | 1 |
| | G11 - 1P0644A0 | | BALANCE ARM ASSY WITH HARNESS (D106G-EV / D109) | 1 |
| | G11 - 1P0645A0 | | BALANCE ARM ASSY WITH HARNESS (D106G-QU) | 1 |

LIGHT HEAD

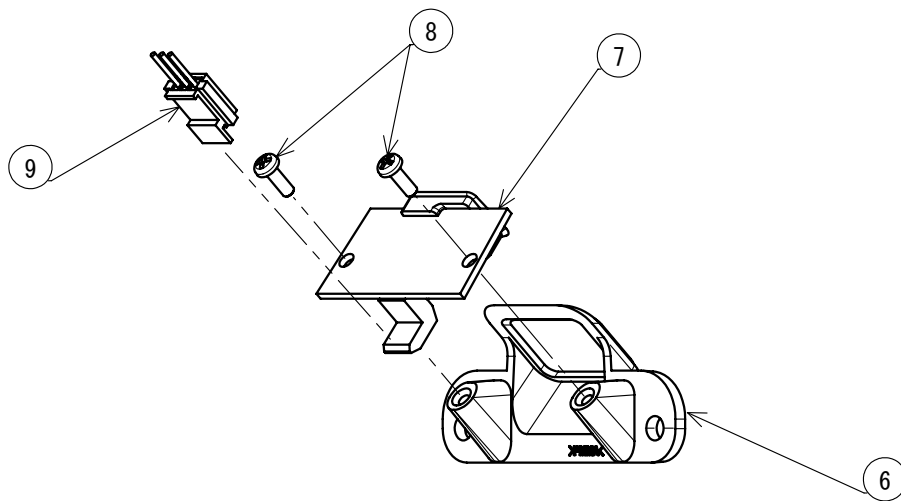


| NO. | ID | PARTS NO. | DESCRIPTION | QTY |
|-----|----------------|-----------|------------------------------------|-----|
| 1 | G11 - 1A0PKPB0 | | FRONT COVER FOR HEAD (RAL9003) | 1 |
| | G11 - 1A0ST8A0 | | FRONT COVER FOR HEAD (CN80) | 1 |
| 2 | G11 - 1A0PKRA0 | | COVER FOR LENS | 1 |
| 3 | G11 - FJMA83A0 | | O-RING | 2 |
| 4 | G11 - 1A07L6B0 | | HANDLE FOR LIGHT | 2 |
| 5 | G11 - ZA761LPU | | HEX SOCKET HEAD SCREW M4x8 SUS | 6 |
| 6 | G11 - 1A0B9FA0 | | CAP FOR YORK | 2 |
| 7 | G11 - 1G071AA0 | | YORK (RAL9003) | 1 |
| | G11 - 1G07X2A0 | | YORK (CN80) | 1 |
| 8 | G11 - 1G03SBA0 | | SHAFT FOR HEAD ROTATE | 2 |
| 9 | G11 - ZG041RAG | | C-RING M12 BLACK | 2 |
| 10 | G11 - 1G06Y9A0 | | LED MODULE ASSY | 1 |
| 11 | G11 - 1A07MAB0 | | WIRE FOR LED MODULE | 1 |
| 12 | G11 - 1A0PKLA0 | | REAR COVER FOR HEAD (RAL9003) | 1 |
| | G11 - 1A0STAA0 | | REAR COVER FOR HEAD (CN80) | 1 |
| 13 | G11 - 1A0PKJA0 | | COVER FOR YORK | 1 |
| 14 | G11 - 1G0725A0 | | YORK FOR BASE (RAL9003) | 1 |
| | G11 - 1G07X1A0 | | YORK FOR BASE (CN80) | 1 |
| 15 | G11 - AFFX58A0 | | PAN HEAD SCREW TYPE-P M4x10 CHROME | 12 |
| 16 | G11 - 1G071BA0 | | SENSOR ASSY | 1 |
| 17 | G11 - ZG041VAG | | C-RING | 1 |
| 18 | G11 - 1A0B9RA0 | | WASHER FOR YORK | 1 |
| 19 | G11 - 1P05U9A0 | | PATIENT MIRROR SET (RAL9003) | 1 |
| | G11 - 1P05XXA0 | | PATIENT MIRROR SET (CN80) | 1 |

14 YORK

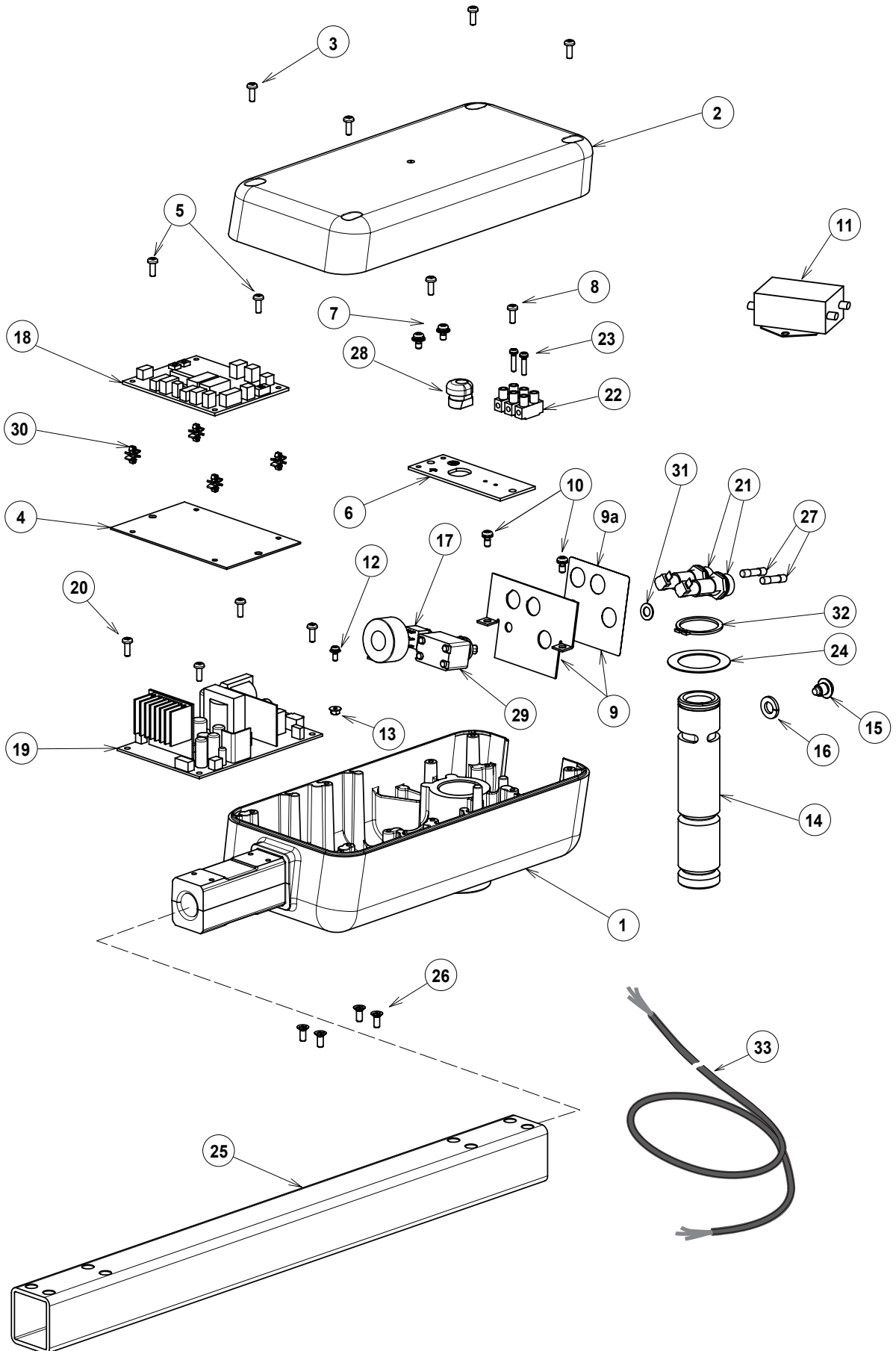


16 SENSOR ASSY



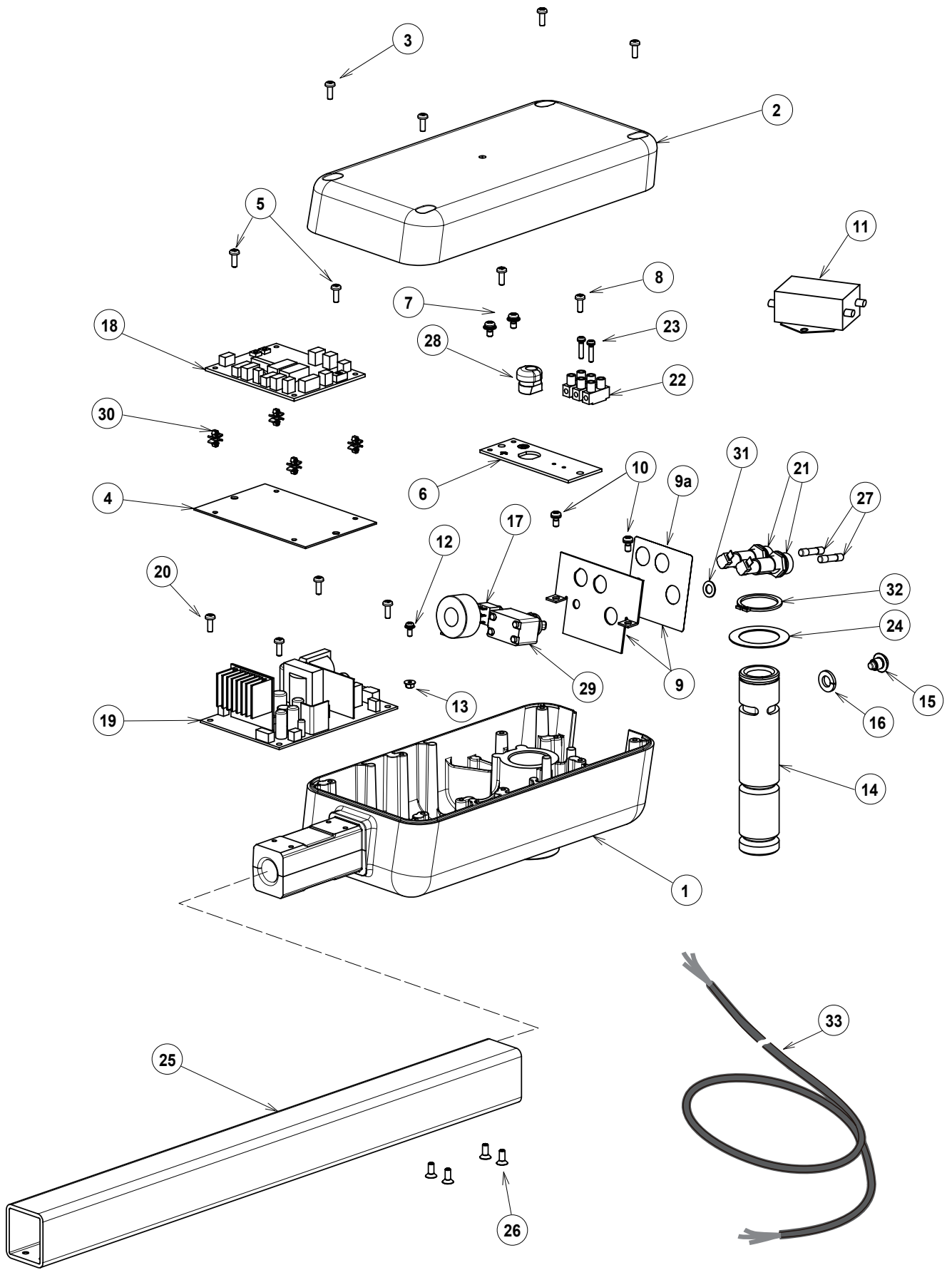
| NO. | ID | PARTS NO. | DESCRIPTION | QTY |
|-----|----------------|-----------|---|-----|
| 1 | G11 - 1E00UUA0 | | WAVE WASHER | 1 |
| 2 | G11 - 1A0B9RA0 | | WASHER FOR YORK | 1 |
| 3 | G11 - ZG041VAG | | C-RING | 1 |
| 4 | G11 - 1A0B9BA0 | | FRONT COVER FOR YORK (RAL9003) | 1 |
| | G11 - 1A0HVKA0 | | FRONT COVER FOR YORK (CN80) | 1 |
| 5 | G11 - AFFX58A0 | | PAN HEAD SCREW TYPE-P M4x10 CHROME | 2 |
| 6 | G11 - 1A0PKNA0 | | COVER FOR SENSOR | 1 |
| 7 | G11 - 1G03GLA0 | | SENSOR PCB | 1 |
| 8 | G11 - CECN46A0 | | PAN HEAD TAPPING SCREW M3x8 FOR PLASTIC | 2 |
| 9 | G11 - 1A0P3SB0 | | WIRE FOR SENSOR | 1 |

POWER SUPPLY BOX (D101)



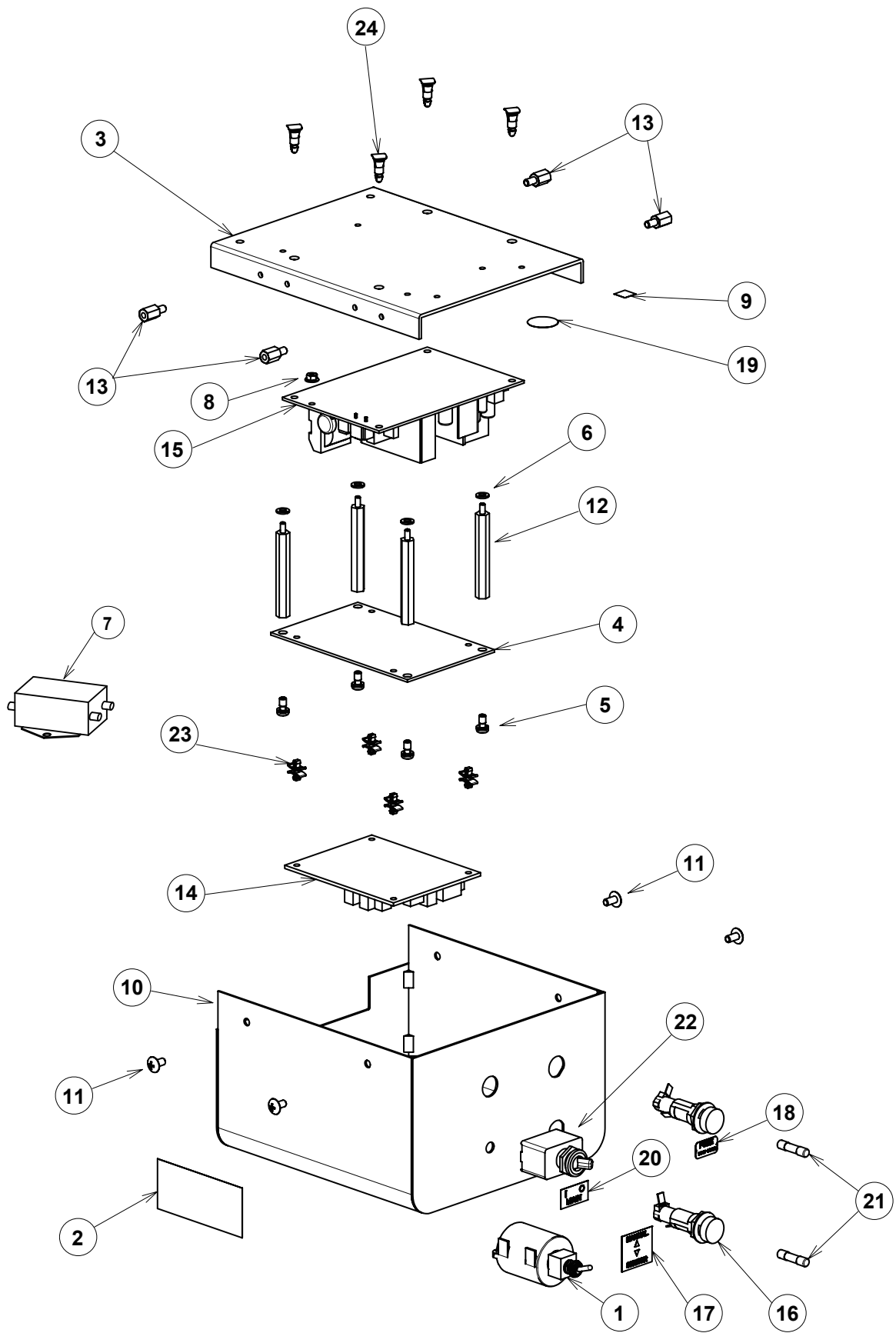
| NO. | ID | PARTS NO. | DESCRIPTION | QTY |
|-----|----------------|-----------|--------------------------------------|-----|
| 1 | G09 - 1A0BFMA0 | | HOUSING (RAL9003) | 1 |
| | G09 - 1A0HVNA0 | | HOUSING (CN80) | |
| 2 | G09 - 1A0BFNA0 | | HOUSING COVER (RAL9003) | 1 |
| | G09 - 1A0HVJA0 | | HOUSING COVER (CN80) | |
| 3 | G09 - ZA111LPY | | PAN HEAD SCREW M4x8 | 4 |
| 4 | G09 - 1A0BFPA0 | | CONTROL PCB FIXING PLATE | 1 |
| 5 | G09 - ZA111LPY | | PAN HEAD SCREW M4x8 | 2 |
| 6 | G09 - 1A0BFQB0 | | ELECTRIC PARTS FIXING PLATE | 1 |
| 7 | G09 - ZA88JLRL | | SEMS SCREW P3 M4x10 | 2 |
| 8 | G09 - ZA111LPY | | PAN HEAD SCREW M4x8 | 2 |
| 9a | G09 - 1A0EPCA0 | | SWITCH SEAL FOR 301 (RAL9003) | 1 |
| | G09 - 1A0HW0A0 | | SWITCH SEAL FOR 301 (CN80) | |
| 9 | G09 - 1P049XA0 | | BACK PLATE W/ SWITCH SEAL (RAL9003) | 1 |
| | G09 - 1P04A7A0 | | BACK PLATE W/ SWITCH SEAL (CN80) | |
| 10 | G09 - ZA111LPY | | PAN HEAD SCREW M4x8 | 2 |
| 11 | G09 - 1A08AHB0 | | NOISE FILTER(WITH WIRE) | 1 |
| 12 | G09 - ZA88JJPY | | SEMS SCREW P3 M3x8 | 1 |
| 13 | G09 - ZA901JAY | | FLANGE NUT | 1 |
| 14 | G09 - 1A07W1B0 | | ROTATION SHAFT | 1 |
| 15 | G09 - 1A07W2A0 | | ROTATION STOPPER BOLT M8 | 1 |
| 16 | G09 - ZB511PAY | | SPRING WASHER M8 | 1 |
| 17 | G09 - 1A0STYA0 | | S/M MODE SWITCH ASSEMBLY WITH WIRE | 1 |
| 18 | G09 - 1G0803A0 | | SENSOR CONTROL PCB (NO COM) | 1 |
| 19 | G09 - 1G06SAA0 | | POWER PCB | 1 |
| 20 | G09 - ZA111LPY | | PAN HEAD SCREW M4x8 | 4 |
| 21 | G09 - AEFR93A0 | | FUSE HOLDER F-400-01A2 | 2 |
| 22 | G09 - CAML90B0 | | TERMINAL BLOCK | 1 |
| 23 | G09 - ZA88JJUY | | SEMS SCREW P3 M3x16 | 2 |
| 24 | G09 - CAND32A0 | | WASHER 43x29x0.8 | 1 |
| 25 | G09 - CAO445CR | | SWIVEL ARM 485MM (4 HOLES) (RAL9003) | 1 |
| | G09 - 1A0HVSA0 | | SWIVEL ARM 485MM (4 HOLES) (CN80) | |
| 26 | G09 - ZA112LRY | | FLAT HEAD SCREW M4x10 | 4 |
| 27 | G09 - CEEN94A0 | | FUSE 250V 0.8A (T) | 2 |
| 28 | G09 - CEGN46A0 | | CORD BUSH | 1 |
| 29 | G09 - CENX56B0 | | MAIN SWITCH | 1 |
| 30 | G09 - CERN39A0 | | DOUBLE LOCKING SPACER | 4 |
| 31 | G09 - ZB561OAM | | WASHER M6x11.5x0.8 | 1 |
| 32 | G09 - CENX94A0 | | C-RING | 1 |
| 33 | G09 - 1A0BMMA0 | | CT CODE 5000MM | 1 |

POWER SUPPLY BOX (D102)



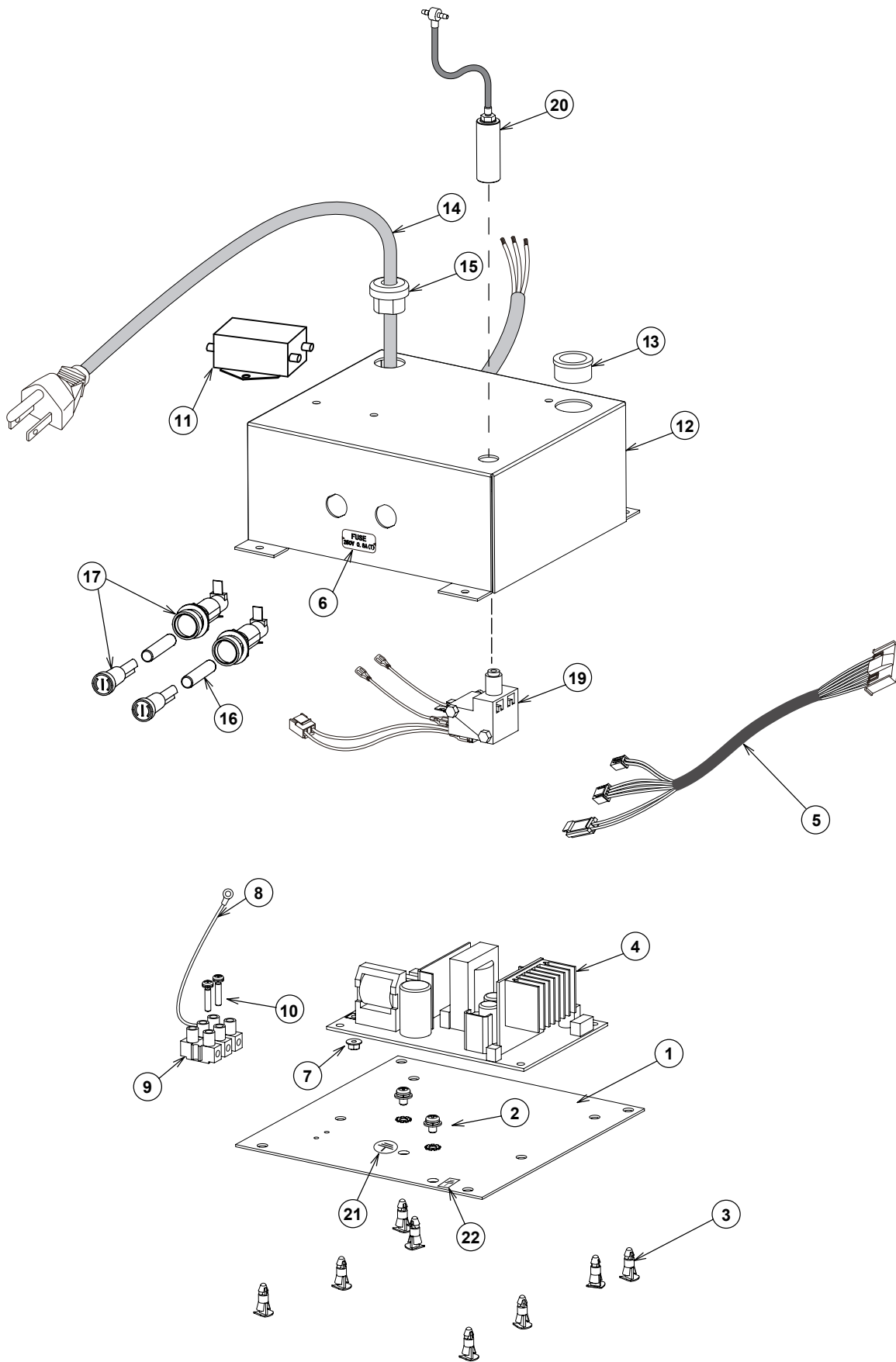
| NO. | ID | PARTS NO. | DESCRIPTION | QTY |
|-----|----------------|-----------|--|-----|
| 1 | G09 - 1A0BFMA0 | | HOUSING (RAL9003) | 1 |
| | G09 - 1A0HVNA0 | | HOUSING (CN80) | |
| 2 | G09 - 1A0BFNA0 | | HOUSING COVER (RAL9003) | 1 |
| | G09 - 1A0HVJA0 | | HOUSING COVER (CN80) | |
| 3 | G09 - ZA111LPY | | PAN HEAD SCREW M4x8 FOR HOUSING COVER | 4 |
| 4 | G09 - 1A0BFPA0 | | CONTROL PCB FIXING PLATE | 1 |
| 5 | G09 - ZA111LPY | | PAN HEAD SCREW M4x8 | 2 |
| 6 | G09 - 1A0BFQB0 | | ELECTRIC PARTS FIXING PLATE | 1 |
| 7 | G09 - ZA88JLRL | | SEMS SCREW P3 M4x10 | 2 |
| 8 | G09 - ZA111LPY | | PAN HEAD SCREW M4x8 | 2 |
| 9a | G09 - 1A0EPDA0 | | SWITCH SEAL FOR 302 (RAL9003) | 1 |
| | G09 - 1A0J2GA0 | | SWITCH SEAL FOR 302 (CN80) | |
| 9 | G09 - 1P049YA0 | | BACK PLATE W/ SWITCH SEAL (RAL9003) | 1 |
| | G09 - 1P04A8A0 | | BACK PLATE W/ SWITCH SEAL (CN80) | |
| 10 | G09 - ZA111LPY | | PAN HEAD SCREW M4x8 | 2 |
| 11 | G09 - 1A08AHB0 | | NOISE FILTER WITH WIRE | 1 |
| 12 | G09 - ZA88JJPY | | SEMS SCREW P3 M3x8 | 1 |
| 13 | G09 - ZA901JAY | | FLANGE NUT | 1 |
| 14 | G09 - 1A07W1B0 | | ROTATION SHAFT | 1 |
| 15 | G09 - 1A07W2A0 | | ROTATION STOPPER BOLT M8 | 1 |
| 16 | G09 - ZB511PAY | | SPRING WASHER M8 FOR ROTATION STOPPER BOLT | 1 |
| 17 | G09 - 1A0STYA0 | | S/M MODE SWITCH ASSEMBLY WITH WIRE | 1 |
| 18 | G09 - 1G0803A0 | | SENSOR CONTROL PCB (NO COM) | 1 |
| 19 | G09 - 1G06SAA0 | | POWER PCB | 1 |
| 20 | G09 - ZA111LPY | | PAN HEAD SCREW M4x8 | 4 |
| 21 | G09 - AEFR93A0 | | FUSE HOLDER F-400-01A2 | 2 |
| 22 | G09 - CAML90B0 | | TERMINAL BLOCK | 1 |
| 23 | G09 - ZA88JJUY | | SEMS SCREW P3 M3x16 | 2 |
| 24 | G09 - CAND32A0 | | WASHER 43x29x0.8 | 1 |
| 25 | G09 - CAO445CR | | SWIVEL ARM 485MM (4 HOLES) (RAL9003) | 1 |
| | G09 - 1A0HVSA0 | | SWIVEL ARM 485MM (4 HOLES) (CN80) | |
| 26 | G09 - ZA112LRY | | FLAT HEAD SCREW M4x10 | 4 |
| 27 | G09 - CEEN94A0 | | FUSE 250V 0.8A (T) | 2 |
| 28 | G09 - CEGN46A0 | | CORD BUSH | 1 |
| 29 | G09 - CENX56B0 | | MAIN SWITCH | 1 |
| 30 | G09 - CERN39A0 | | DOUBLE LOCKING SPACER | 4 |
| 31 | G09 - ZB561OAM | | WASHER M6x11.5x0.8 | 1 |
| 32 | G09 - CENX94A0 | | C-RING STW-29 | 1 |
| 33 | G09 - CADQ71B0 | | POWER CABLE 3200MM (SJT) | 1 |

POWER SUPPLY BOX (D105)



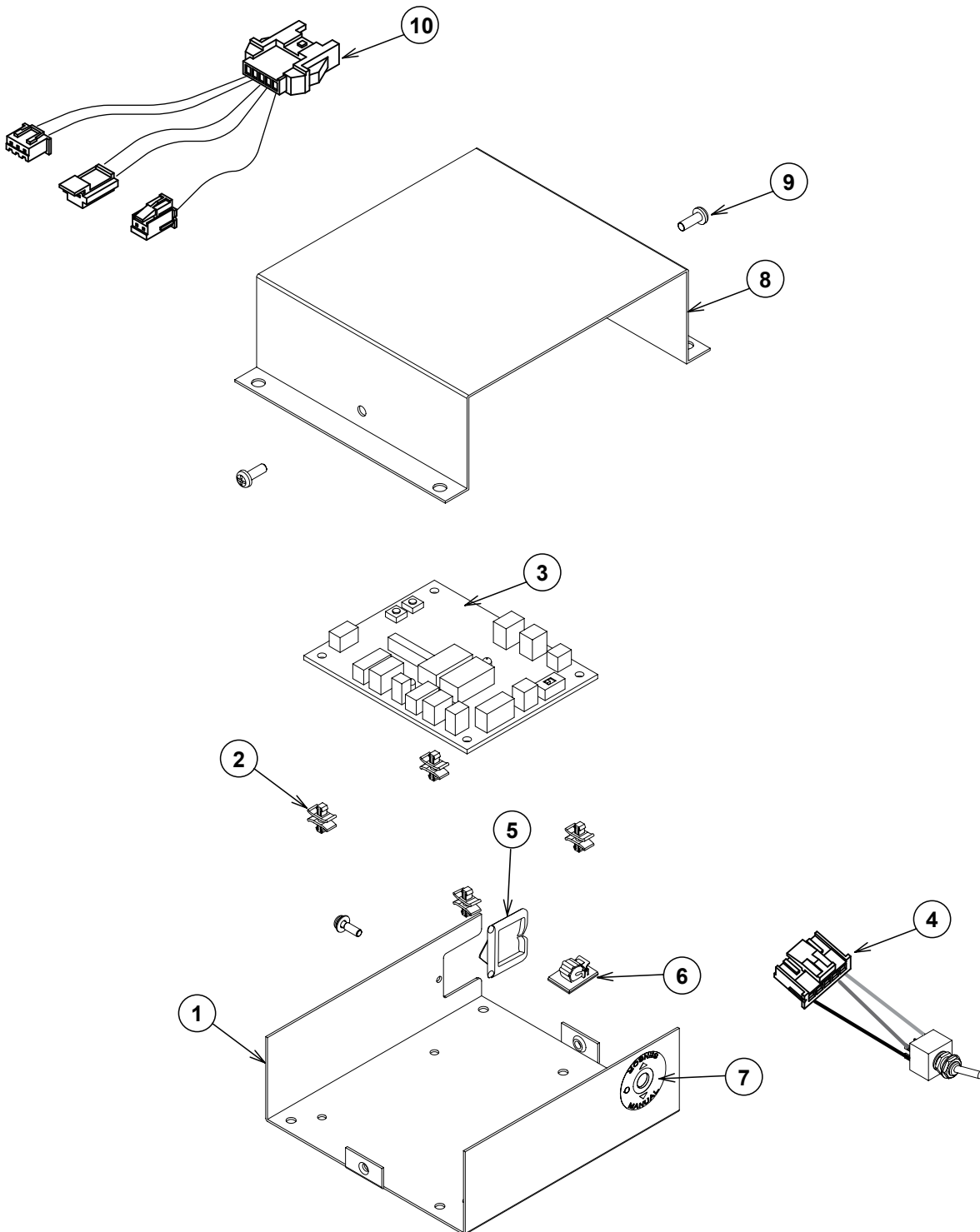
| NO. | ID | PARTS NO. | DESCRIPTION | QTY |
|-----|-------|-----------|---|-----|
| 1 | G09 - | 1A0STYA0 | S/M MODE SWITCH ASSEMBLY (WITH WIRE) | 1 |
| 2 | G09 - | 1A0HQZA0 | CAUTION LABEL (ENGLISH AND FRENCH) | 1 |
| 3 | G09 - | 1A07M5B0 | POWER PCB FIXING PLATE | 1 |
| 4 | G09 - | 1A07PKA0 | SENSOR CONTROL PCB FIXING PLATE | 1 |
| 5 | G09 - | ZA887LPY | PAN HEAD SEMS SCREW M4x8 | 4 |
| 6 | G09 - | ZB511LAY | SPRING WASHER M4 | 1 |
| 7 | G09 - | 1A08AJB0 | NOISE FILTER WITH WIRE | 1 |
| 8 | G09 - | ZA901JAY | FLANGE NUT | 1 |
| 9 | G09 - | 1A07YUA0 | EARTH SEAL | 1 |
| 10 | G09 - | 1A08BAA0 | POWER SUPPLY BOX COVER (AL-905) (RAL9003) | 1 |
| | G09 - | 1A07M8A0 | POWER SUPPLY BOX COVER (AL-905) (CN80) | |
| 11 | G09 - | 1E01HHA0 | TRUSS M4x8 (RAL9003) | 4 |
| | G09 - | 1E02HPA0 | TRUSS SCREW M4x8 (CN80) | |
| 12 | G09 - | 1E02E9A0 | METAL SPACER | 4 |
| 13 | G09 - | 1E04S0A0 | HEX METAL SPACER | 4 |
| 14 | G09 - | 1G0803A0 | SENSOR CONTROL PCB (NO COM) | 1 |
| 15 | G09 - | 1G06SAA0 | POWER PCB | 1 |
| 16 | G09 - | AEFR93A0 | FUSE HOLDER F-400-01A2 | 2 |
| 17 | G09 - | CADR07A0 | SEAL FOR S/M MODE SWITCH | 1 |
| 18 | G09 - | CAEP84A0 | FUSE SEAL 0.8A | 1 |
| 19 | G09 - | CAMT05A0 | EARTH MARK (N-7) | 1 |
| 20 | G09 - | CARO04A0 | SEAL FOR MAIN SWITCH | 1 |
| 21 | G09 - | CEEN94A0 | FUSE 250V 0.8A (T) | 2 |
| 22 | G09 - | CEGN56B0 | MAIN SWITCH | 1 |
| 23 | G09 - | CERN39A0 | DOUBLE LOCKING SPACER | 4 |
| 24 | G09 - | DESR05A0 | SPACER | 4 |

POWER SUPPLY BOX (D106G-EV , D109)



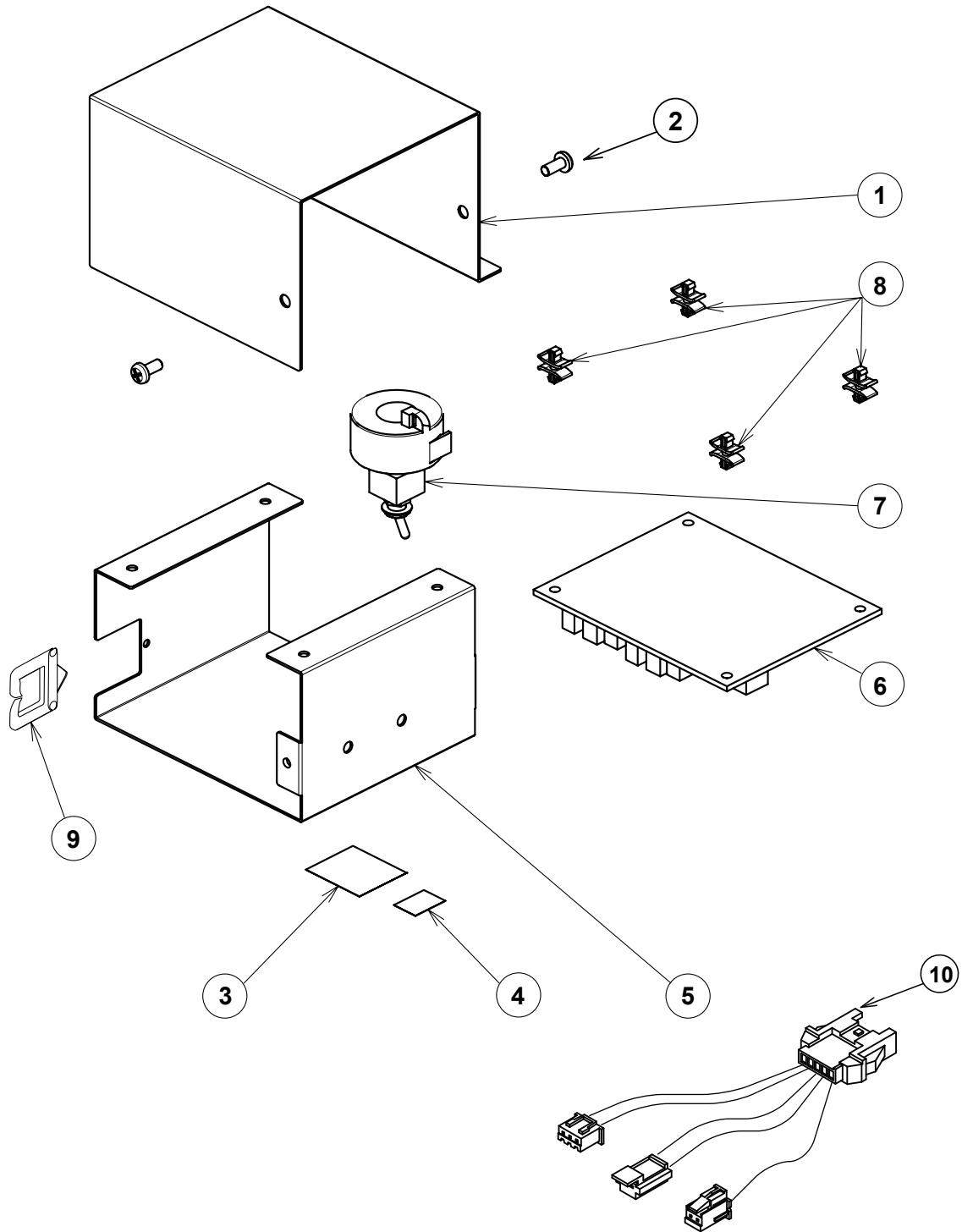
| NO. | ID | PARTS NO. | DESCRIPTION | QTY |
|---------|-------|-----------|--|-----|
| 1 | G09 - | 1A08BWA0 | POWER SUPPLY PCB BOX FIXING PLATE | 1 |
| 2 | G09 - | ZA88JLNM | PAN HEAD SEMS SCREW P3 M4x6 | 2 |
| 3 | G09 - | DESR05A0 | SPACER | 8 |
| 4 | G09 - | 1G06SAA0 | POWER PCB | 1 |
| 5 | G09 - | 1A0SUFA0 | TRUNK LINE FOR POWER PCB(D109) | 1 |
| 6 | G09 - | CAEP84A0 | FUSE SEAL 0.8A | 1 |
| 7 | G09 - | ZA901JAY | FLANGE NUT | 1 |
| 8 | G09 - | CADQ74A0 | EARTH CABLE (701M) | 1 |
| 9 | G09 - | CAML90B0 | TERMINAL BLOCK | 1 |
| 10 | G09 - | ZA887JTY | SEMS SCREW P2 M3x14 | 2 |
| 11 | G09 - | 1A08AJB0 | NOISE FILTER(WITH WIRE) | 1 |
| 12 | G09 - | 1A08BVB0 | POWER SUPPLY BOX COVER (AL-920X) | 1 |
| 13 | G09 - | AFFX96A0 | CODE BUSH | 1 |
| 14 | G09 - | 1A04D6A0 | POWER SUPPLY CODE 1000L | 1 |
| 15 | G09 - | CESN07A0 | RELIEF BUSHING SR-6N3-4 | 1 |
| 16 | G09 - | CEEN94A0 | FUSE 250V 0.8A (T) | 2 |
| 17 | G09 - | AEFR93A0 | FUSE HOLDER F-400-01A2 | 2 |
| 19 | G09 - | 1G02LKA0 | AIR SWITCH BODY ASSY | 1 |
| 20 | G09 - | 1G02MBA0 | AIR SWITCH CYLINDER ASSY WITH TUBING & FITTING | 1 |
| 21 | G09 - | CAMT05A0 | EARTH MARK | 1 |
| 22 | G09 - | 1A07YUA0 | EARTH SEAL | 1 |
| 1 to 22 | G09 - | 1G082UA0 | POWER SUPPLY BOX ASSEMBLY | 1 |

SWITCH BOX (D106G-EV , D109W-X)



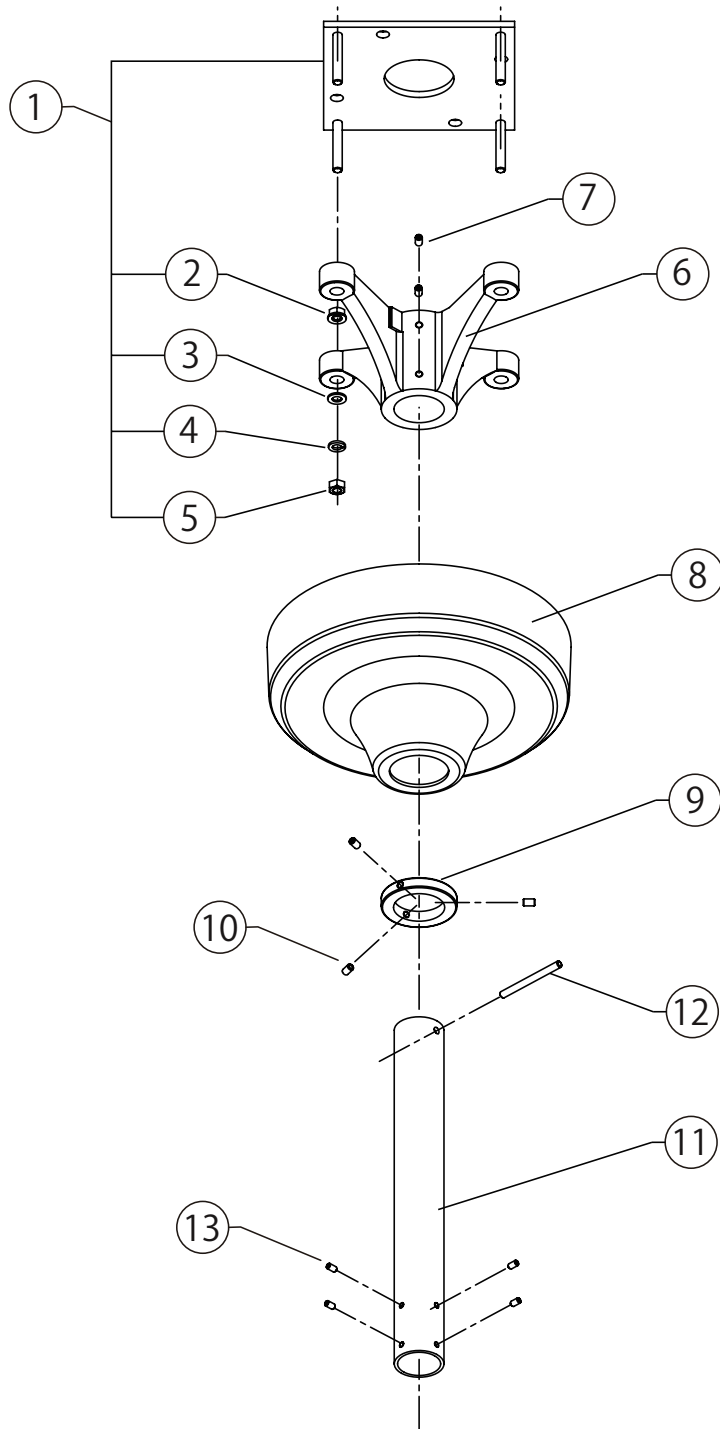
| NO. | ID | PARTS NO. | DESCRIPTION | QTY |
|-----|----------------|-----------|--|-----|
| 1 | G09 - 1A08CTA0 | | SWITCH BOX (RAL9003) | 1 |
| | G09 - 1A0HVMA0 | | SWITCH BOX (CN80) | |
| 2 | G09 - CERN39A0 | | DOUBLE LOCKING SPACER (WLS-04-0) | 4 |
| 3 | G09 - 1G0803A0 | | SENSOR CONTROL PCB (NO COM) | 1 |
| 4 | G09 - 1A0SUJA0 | | S/M MODE SWITCH ASSEMBLY | 1 |
| 5 | G09 - CETN14A0 | | EDGE SADDLE FOR CABLE PROTECTION | 1 |
| 6 | G09 - CETN13A0 | | CLAMP WITH SPONGE | 1 |
| 7 | G09 - 1A0HMYA0 | | SEAL FOR S/M MODE SWITCH | 1 |
| 8 | G09 - CATN46CR | | SWITCH BOX COVER (RAL9003) | 1 |
| | G09 - 1A0HVWA0 | | SWITCH BOX COVER (CN80) | |
| 9 | G09 - 1E00VTA0 | | PAN HEAD SCREW M4x10 (RAL9003) FOR PCB BOX COVER | 2 |
| | G09 - 1A033FA0 | | PAN HEAD SCREW M4x10 (CN80) FOR PCB BOX COVER | |
| 10 | G09 - 1A0SUHA0 | | TRUNK LINE FOR PWM(AL-D109-X) | 1 |

SWITCH BOX (D109W-XN)



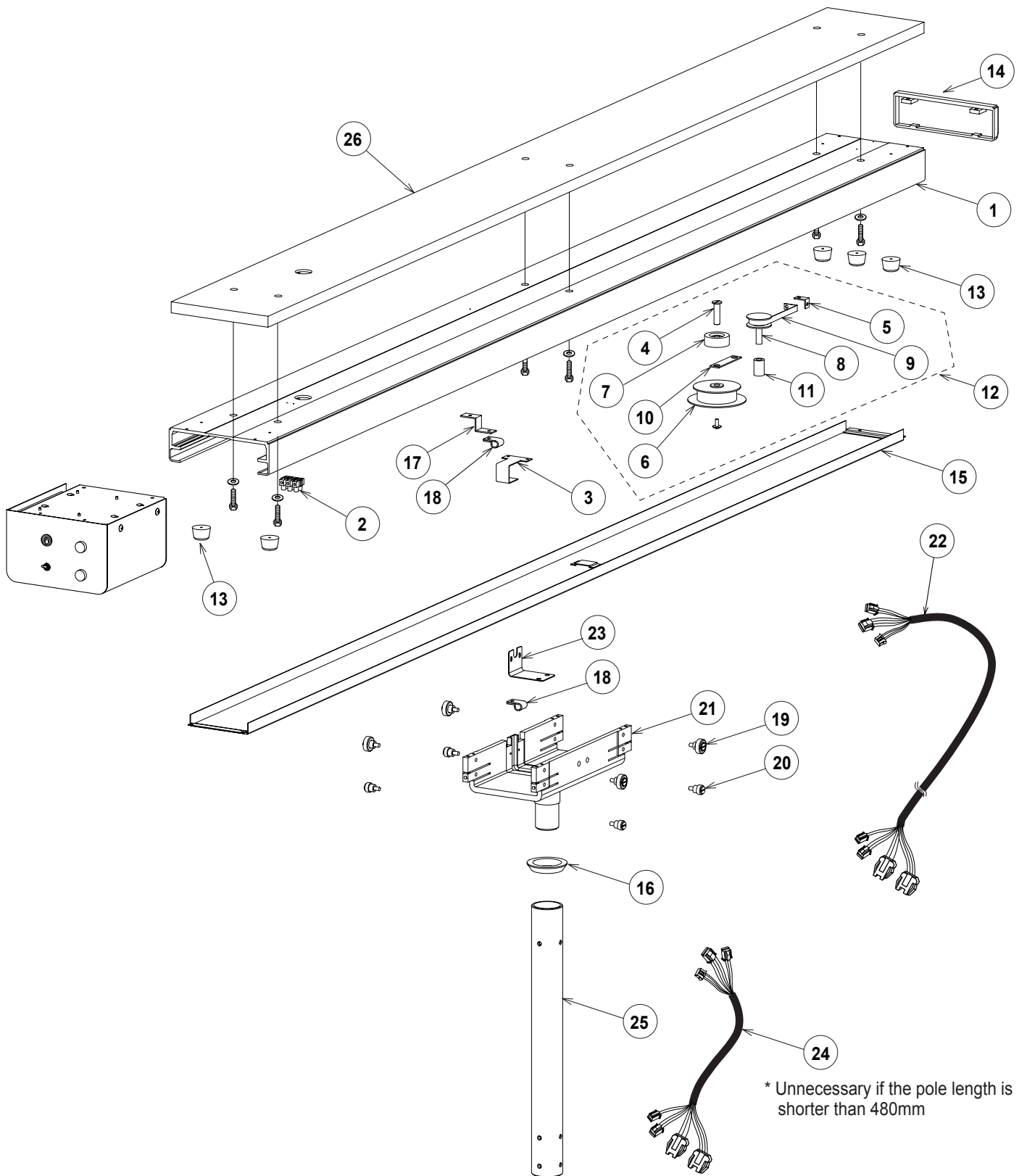
| NO. | ID | PARTS NO. | DESCRIPTION | QTY |
|-----|-------|-----------|----------------------------------|-----|
| 1 | G09 - | 1A0AFRA0 | SWITCH BOX COVER (530XN) | 1 |
| 2 | G09 - | ZA887LPU | PAN HEAD SEMS SCREW P2 M4x8 SUS | 2 |
| 3 | G09 - | CADR07A0 | SEAL FOR S/M MODE SWITCH | 1 |
| 4 | G09 - | U-31860 | LABEL FOR POWER SUPPLY | 1 |
| 5 | G09 - | 1A0B6SA0 | SWITCH BOX (920XN) | 1 |
| 6 | G09 - | 1G0803A0 | SENSOR CONTROL PCB (NO COM) | 1 |
| 7 | G09 - | 1A0SUJA0 | S/M MODE SWITCH ASSEMBLY | 1 |
| 8 | G09 - | CERN39A0 | DOUBLE LOCKING SPACER (WLS-04-0) | 4 |
| 9 | G09 - | CETN14A0 | EDGE SADDLE FOR CABLE PROTECTION | 1 |
| 10 | G09 - | 1A0SUHA0 | TRUNK LINE FOR PWM(AL-D109-X) | 1 |

CEILING POLE (D102)



| NO. | ID | PARTS NO. | DESCRIPTION | QTY |
|-----|-------|-----------|---|-----|
| 1 | G09 - | 1P0211A0 | MOUNTING PLATE WITH NUT (NO.2 - 5) | 1 |
| 2 | G09 - | ZA901PAY | FLANGE NUT (LEVELING NUT) | 4 |
| 3 | G09 - | CENE00B0 | WASHER M8x22x1.63 | 4 |
| 4 | G09 - | ZB511PAY | SPRING WASHER M8 | 4 |
| 5 | G09 - | 1E00ABA0 | U NUT M8 | 4 |
| 6 | G09 - | TCPA01A0 | CEILING FLANGE | 1 |
| 7 | G09 - | ZA774OPU | HEX SOCKET SET SCREW M6x8 (CUP POINT) | 4 |
| 8 | G09 - | 1A0827A0 | CEILING COVER (CN80) | 1 |
| 9 | G09 - | CAMG76A0 | STOPPER RING | 1 |
| 10 | G09 - | CENB35B0 | HEX SOCKET SET SCREW M6x8 (CUP POINT) (RED MEC THREAD LOCK) | 3 |
| 11 | G09 - | 1G02TLA0 | CEILING POLE SET 340MM (CN80) 8FT | 1 |
| | G09 - | 1G02TMA0 | CEILING POLE SET 510MM (CN80) 8.5FT | |
| | G09 - | 1G02TNA0 | CEILING POLE SET 680MM (CN80) 9FT | |
| | G09 - | 1G02TPA0 | CEILING POLE SET 840MM (CN80) 9.5FT | |
| | G09 - | 1G02TQA0 | CEILING POLE SET 1000MM (CN80) 10FT | |
| 12 | G09 - | CAMK40A0 | ROLL PIN 6x70 | 1 |
| 13 | G09 - | ZA772NRY | HEX SOCKET SET SCREW M5x10 (TRUNCATED CONE POINT) | 4 |
| | G09 - | CGRN38B0 | CEILING SCREW SET | |

TRACK (D105)



| NO. | ID | PARTS NO. | DESCRIPTION | QTY |
|-----|-------|-----------|---|-----|
| 1 | G09 - | 1A0824A0 | RAIL (HAMMER TONE COATING CN80) | 1 |
| 2 | G09 - | CAML90B0 | TERMINAL BLOCK | 1 |
| 3 | G09 - | CAMG90A0 | CENTER COVER HOOK (OP/NDL) | 1 |
| 4 | G09 - | CAMG88B0 | DRUM SHAFT | 1 |
| 5 | G09 - | CAMG91A0 | CONSTANT FORCE SPRING PLATE | 1 |
| 6 | G09 - | CAMP70B0 | PULLEY (OP/NDL) DURACON | 1 |
| 7 | G09 - | CAMP71C0 | DRUM A DURACON | 1 |
| 8 | G09 - | CAMP72C0 | DRUM B DURACON | 1 |
| 9 | G09 - | CAMU63A0 | CONSTANT FORCE SPRING | 1 |
| 10 | G09 - | CAMV62A0 | GUIDE (OP/NDL) SPOC | 1 |
| 11 | G09 - | CAQN96B0 | DRUM COLLAR (WHITE POM) | 1 |
| 12 | G09 - | 1G0133A0 | PULLEY ASSY (W/SEAL) | 1 |
| 13 | G09 - | ABNL23A0 | STOPPER | 5 |
| 14 | G09 - | 1G02EEA0 | END COVER ASSY (CN80) | 1 |
| 15 | G09 - | 1G02EFA0 | CENTRE COVER ASSY (CN80) | 1 |
| 16 | G09 - | CAMG95A0 | TROLLEY COLLAR (COUTED) | 1 |
| 17 | G09 - | CAMV63A0 | LEAD WIRE GUIDE (OP/NDL) | 1 |
| 18 | G09 - | CENZ15A0 | NYLON CLAMP NK-4N | 2 |
| 19 | G09 - | CGAN76A0 | ROLLER UPPER (OPNDL) ASSY | 4 |
| 20 | G09 - | CGAN77A0 | ROLLER LOWER (OPNDL) ASSY | 4 |
| 21 | G09 - | 1A0823A0 | TROLLEY (HAMMER TONE COATING, CN80) | 1 |
| 22 | G09 - | 1A087RA0 | TRUNK LINE A (POWER SUPPLY BOX TO YOKE)(AL-905) | 1 |
| 23 | G09 - | CAMP73B0 | LEAD WIRE COVER | 1 |
| 24 | G09 - | 1A087TA0 | TRUNK LINE C (POWER SUPPLY BOX TO YOKE)(AL-905) | 1 |
| 25 | G09 - | 1G02U2A0 | T POLE SET 380MM (CN80) 8FT | 1 |
| | G09 - | 1G02U3A0 | T POLE SET 530MM (CN80) 8.5FT | |
| | G09 - | 1G02U4A0 | T POLE SET 680MM (CN80) 9FT | |
| | G09 - | 1G02U5A0 | T POLE SET 840MM (CN80) 9.5FT | |
| | G09 - | 1G02U6A0 | T POLE SET 1000MM (CN80) 10FT | |
| 26 | G09 - | CAPN00D0 | PALLET (UL TYPE) | 1 |
| | G09 - | 1G009XA0 | PALLET SCREW SET | 1 |
| | G09 - | CGRN39B0 | TRACK SCREW SET | 1 |

NOTE

Bel-Nova PARTS LIST REVISION RECORD

| DATE | | CONTENT |
|------|--|---------|
| | | |
| | | |
| | | |
| | | |



TAKARA BELMONT CORPORATION

2-1-1, Higashishinsaibashi, Chuo-ku, Osaka, 542-0083, Japan

TEL : 81-6-6213-5945

FAX : 81-6-6212-3680

BOOK No.1E07USA0

