



Pro III

Versatile Dental Chair Package

Better patient care
starts with a better patient chair.



PRO III 047
Dental Chair

Evogue Mobile Cart
Delivery System

PHOT-xIIs LCD
Intraoral Imaging System

Scan for other brochures





The chair that supports everyone in the office.

Experience the ultimate in dental comfort and functionality with the Pro III Dental Chair.

Introducing the Pro III Dental Chair—a revolutionary blend of comfort, innovation, and functionality that sets a new standard in dental care. Designed with the practitioner and patient in mind, the Pro III seamlessly combines advanced ergonomics with intuitive features to deliver an unparalleled experience. The Pro III redefines what it means to provide exceptional dental care. It's a chair that supports everyone in the office, ensuring both practitioners and patients alike feel comfortable and confident throughout every appointment.

Be

Pro III
Dental Chair

Folding Legrest and Seat Rotation

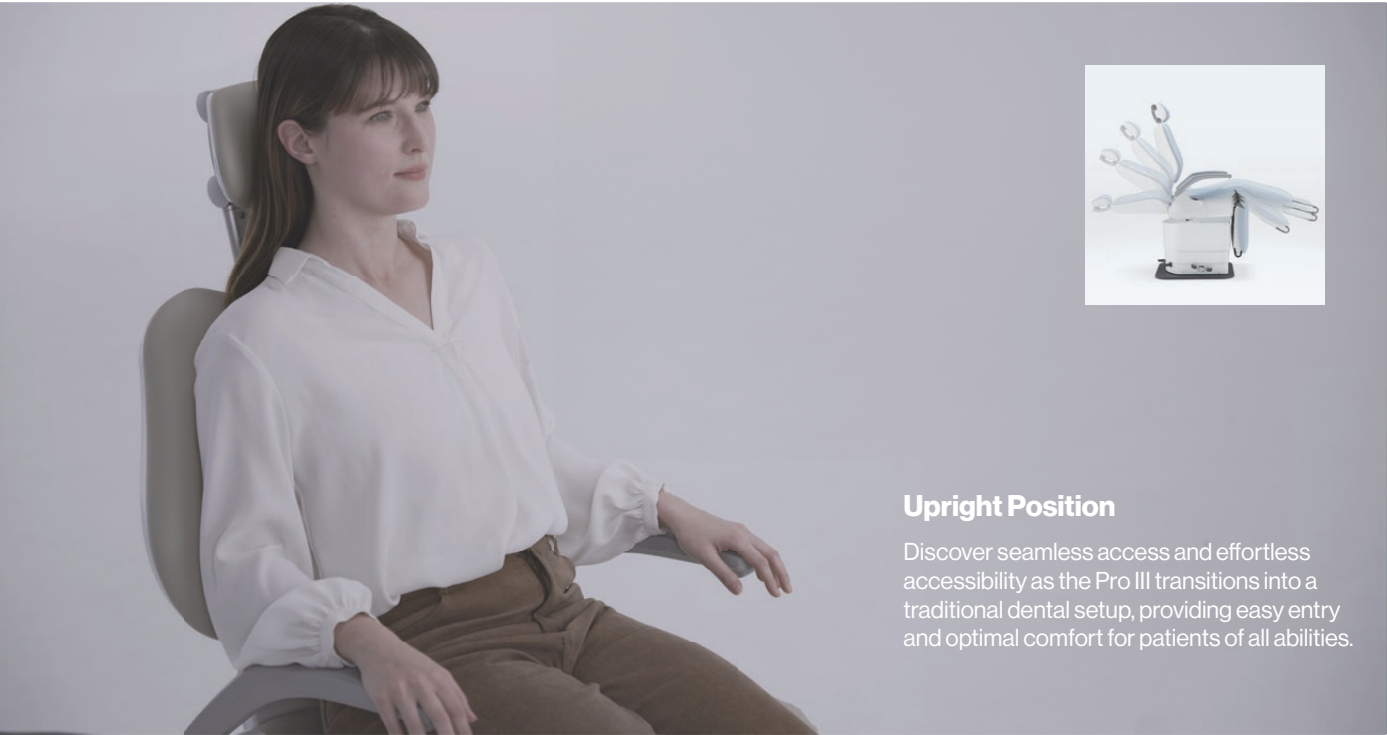
From its easy patient entry and exit to its efficient use of space and transformative versatility, the Pro III enhances every aspect of the dental experience. With features like swing-out armrests, extending legrest, and dual-articulating headrest, it ensures unparalleled comfort and support for patients of all heights and needs. Its aseptic hands-free control and 210-degree seat rotation further optimize operatory efficiency, while its ideal seating position for diagnostics guarantees accurate assessments and treatment outcomes. Elevate your practice with the Pro III Dental Chair and discover the perfect blend of comfort, innovation, and excellence—all in one chair.



Upright Position

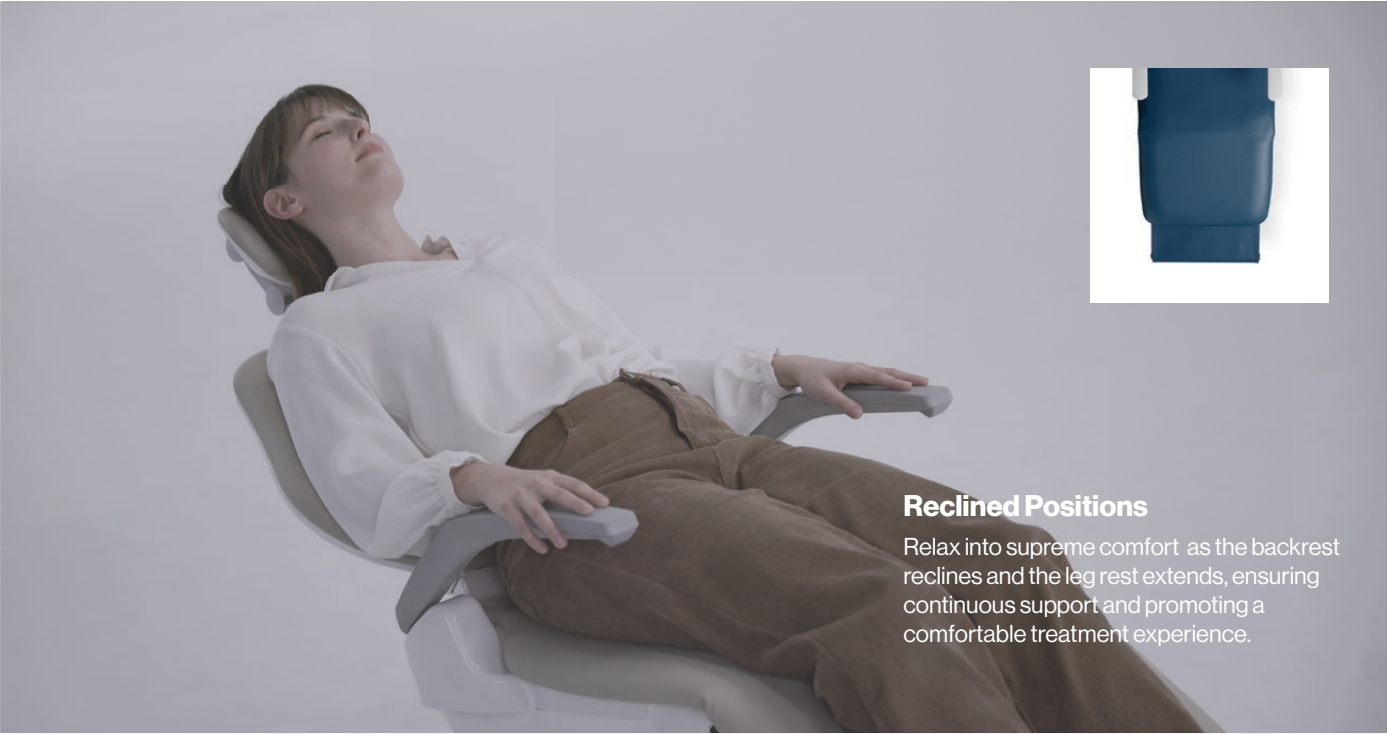


Reclined Position



Upright Position

Discover seamless access and effortless accessibility as the Pro III transitions into a traditional dental setup, providing easy entry and optimal comfort for patients of all abilities.



Reclined Positions

Relax into supreme comfort as the backrest reclines and the leg rest extends, ensuring continuous support and promoting a comfortable treatment experience.



Exceptional capabilities, all around versatility.

Experience unparalleled flexibility and convenience with the Pro III Dental Chair's effortless rotation capabilities. With a 210-degree rotation range, practitioners can effortlessly position the chair for convenient patient entry, relaxed face-to-face consultations, and seamless examinations from multiple angles.

This seamless rotation not only enhances practitioner to patient interactions but also fosters a calming environment conducive to patient comfort and trust. Whether engaging with patients during consultations or performing intricate procedures, the Pro III's rotation feature ensures optimal positioning for every stage of dental care.



**At 6:00 position,
The upright seating position
enables doctors to stand in front
of a seated patient, where doctors
can perform examinations in a
natural, upright position.**

This supports everything from temporomandibular joint disorder exams to denture and invisalign scans.



**At 10:00 position,
Doctors and staff can position the chair
in a more familiar way to create a welcoming
and comfortable environment for patients.**

This position is also ideal for face-to-face consultations to help reduce patient anxiety.

**At 9:00 position,
Doctors can pivot patients into an
ideal position to view diagnostics
and other treatment information.**

This position creates a caring and supportive environment, where patients can invite a friend or family member to join for emotional support.

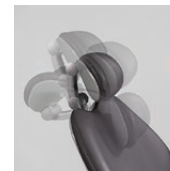




Reassuring Qualities.

Optimized for accessibility, the Pro III dental chair features rotating armrests that enhance the patient care experience. These user-friendly armrests elevate the patient entry and exit experience, facilitating smoother movement and alleviating strain for both patients and dental staff.

Designed for durability and stability, the armrests accommodate patients of all ages and mobility levels. The chair's upright capabilities and rotating armrests ensure a clearer pathway for patients, regardless of their mode of transportation. This reflects Belmont's commitment to inclusivity and exceptional dental care.



Oral Cavity Access.

The dual-articulation mechanism of the Belmont headrest enables precise adjustments, providing optimal neck and head support to enhance patient comfort throughout a variety of dental procedures, especially beneficial for longer treatments. Additionally, it improves dentist access and visibility, improving efficiency and contributing to overall treatment success.

Belmont
CHAIRLOVE

Closer to your patients, Closer to your goals.

Are you prepared to elevate your patient care experience and strengthen connections with your patients?

Experience the Pro III Dental Chair—an embodiment of comfort, efficiency, and patient-centered care. With its innovative design, the Pro III chair brings you closer to your patients and supports your goals, transforming every treatment room into a sanctuary of comfort and excellence.



Imagine a dental chair that not only meets the practical demands of dentistry but also enhances the patient experience at every touchpoint. The Pro III achieves this seamlessly, with features designed to foster deeper connections and improve patient comfort. From effortless patient access to seamless communication, every aspect of the Pro III is crafted to create a personalized and memorable interaction.

As your patients relax into the plush cushions and experience the smooth movement provided by the Pro III, they'll feel valued, understood, and well-cared for. And as a dentist, you'll appreciate the chair's user-friendly design, which enhances your ability to perform procedures efficiently without sacrificing patient comfort.

The Pro III isn't just a chair—it's a symbol of your commitment to excellence and your dedication to delivering the highest standard of care. It stands as a testament to your unwavering pursuit of success and fulfillment in your practice.

With the Pro III, you're investing in more than just equipment; you're fostering deeper connections with your patients and creating a brighter future for your practice. Get ready to elevate your practice with the Pro III Dental Chair—where every patient interaction leaves a lasting impact.



Belmont Quality.



Assured Quality.

Our commitment to superior quality and performance is evident in the manufacturing of our hydraulic cylinders and other vital components in Belmont dental chairs. These cylinders undergo meticulous engineering to deliver smooth, precise movements crucial for patient comfort and effective procedures, meeting the industry's highest standards. Since the 1970s, we have remained committed to producing chairs designs that upholds or exceeds our 100,000-cycle durability test, ensuring long-lasting performance in dental offices worldwide.

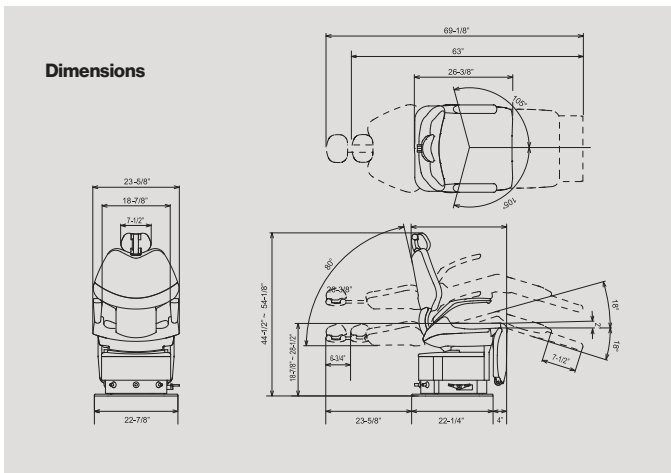
Our hydraulic system operates with fewer components, minimizing the risk of malfunctions and ensuring consistent quality over time. Unlike many in the industry who rely on outsourced parts, we manufacture every component ourselves, guaranteeing the highest precision and quality. From minor fittings to critical elements like the hydraulic cylinder, each piece is crafted in-house, ensuring unmatched quality and reliability. This dedication reinforces Takara Belmont's reputation as a global leader in dental equipment, known for seamlessly blending innovation and tradition in every product.



Customized for your workspace, one stitch at a time.

Discover the unparalleled quality and value of UltraLeather, Allante Free, and Maverick upholsteries — available in various styles to elevate any setting. These options represent the pinnacle of craftsmanship and design in upholstery.

Each line enhances the decor and delivers tangible benefits tailored to meet diverse preferences and demands, ensuring satisfaction across various applications. These materials provide distinctive solutions for upholstery needs.



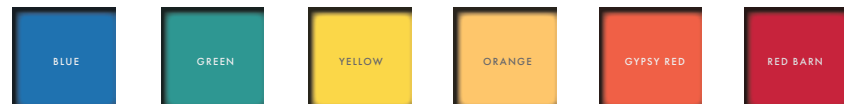
ULTRALEATHER®



STANDARD VINYL ALLANTE FREE®



MAVERICK



UltraLeather combines luxury and resilience, making it perfect for high-traffic settings. Its superior durability ensures long-lasting elegance and performance, maintaining its pristine condition under demanding use.

Allante Free stands out with its eco-friendly, PVC-free design. It offers a sustainable option without sacrificing leather-like finesse and texture. It's ideal for those seeking environmentally conscious materials with luxury.

Maverick offers a robust yet elegant aesthetic, ideal for stylish and utilitarian environments. Its sophisticated look enhances any décor, blending durability with a refined appearance that appeals to modern tastes.

Be

Evogue Mobile Cart **Delivery Systems**

Experience unparalleled versatility and convenience with the EVOGUE Dental Cart.

Discover the EVOGUE Dental Cart, an innovative solution designed to elevate efficiency and flexibility in dental practices. With its mobility and compact footprint, the EVOGUE offers seamless movement and positioning within any treatment room, optimizing space and workflow.

Easy access to essential tools and instruments promotes efficiency, streamlining procedures for dental professionals. This mobile delivery cart creates new opportunities in modern dentistry.





Streamlined Efficiency for Modern Practices

Maximizing Space, Enhancing Workflow.

Dental carts are indispensable assets in treatment rooms, boasting numerous advantages such as cost-effectiveness and versatility. Their compact design and efficient nature help maximize every square foot, making them ideal for clinics with limited space. Beyond space optimization, their streamlined design and mobile capabilities enhance workflow and accessibility, enabling doctors to bring all essential tools within reach.

The EVOGUE Mobile Delivery Cart enhances workflow through its seamless, accessible, and compact design, fostering closer interactions with patients and promoting a more efficient and patient-friendly environment. Its efficient and mobile design enables practitioners to navigate procedures effortlessly while upholding exceptional standards of patient care. The combination of practicality and mobility makes this delivery cart an essential resource for modern dental practices.





Enhanced Efficiency.

Unleash the full potential of your dental practice with the EVOGUE Cart. Designed to enhance functionality and efficiency, this robustly engineered cart is your ultimate solution for a seamless workflow and superior patient care.

The EVOGUE features a sturdy surface for a stainless-steel tray to keep instruments organized, an optional shelf for rheostat controls, durable casters for optimal mobility, and all the essentials to position your practice for success.





Specification



Replacement Doctor Table Cover
With Seat Positioning Control Touchpad Option



Foot Control Storage Shelf
Option



Water bottle



Bien Air MX2 PLUS

Cavitron

Acteon SP Newtron
piezo scaler with LED

Acteon SP Newtron
piezo scaler without LED

Delivery Systems	Traditional Style
Convenient chair control touch pad	<input type="radio"/>
Handpiece holder positions	3+Syringe
Handpiece instruments	<input checked="" type="radio"/>
- 3x Midwest 4 holes turbine hose	(standard spec)
- 1x Air/Water syringe	
Midwest 4-hole turbine hose with fiber optic	<input type="radio"/>
Micro motor	<input type="radio"/>
Cavitron magnetostrictive scaler	<input type="radio"/>
Acteon SP Newtron piezo scaler with LED	<input type="radio"/>
Acteon SP Newtron piezo scaler without LED	<input type="radio"/>
Flushing system	<input checked="" type="radio"/>
Water system (2L bottle)	<input checked="" type="radio"/>
Junction box	<input type="radio"/>
Wet/Dry Foot Control	<input checked="" type="radio"/>
1/4 Water Quick Disconnect with outlet flow control	<input type="radio"/>
1/4 Air Quick Disconnect	<input type="radio"/>

● standard ○ option



**Crystal-Clear Imaging
for the Success of
Your Practice.**



PHOT-xlls LCD
Intraoral Imaging System

Crisp imaging and ease of use
makes the PHOT-xlls with LCD
an integral part of any dental practice.

Intuitive Control, Touchscreen Panel

Experience the user-friendly control and intuitive interface with the PHOT-xlls LCD intraoral x-ray system. The brightly lit user interface and touchscreen panel places advanced imaging technology at your fingertips, providing precise control over exposure settings and image parameters for superior diagnostic results.



Easy-clean,
glass screen

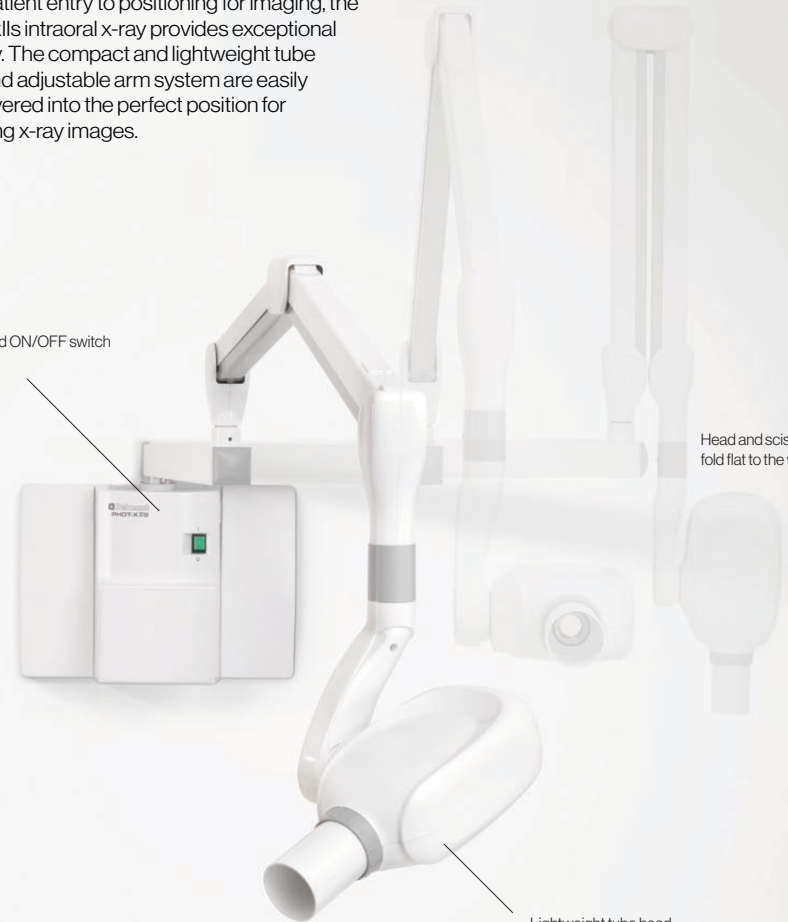
Exposure switch

Easy to Position, Compact Tube Head

From patient entry to positioning for imaging, the PHOT-xlls intraoral x-ray provides exceptional usability. The compact and lightweight tube head and adjustable arm system are easily maneuvered into the perfect position for capturing x-ray images.

Illuminated ON/OFF switch

Head and scissor-arm
fold flat to the wall



Lightweight tube head

User-friendly Operation

1. Position the x-ray tube head.
2. Select imaging parameters.
3. Press the exposure switch.

Settings can be manually adjusted from automatic settings with touchscreen controls.

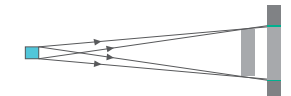
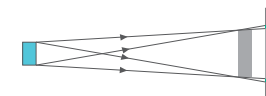


Sharp, Detailed Images

Small 0.4mm focal spot produces the sharpest image possible.

Large focal spot reduced image definition

0.4mm focal spot sharply defined image





Capture crisp, crystal-clear imaging from nearly every angle.

Belmont
CHAIRLOVE

**Designed to Empower
Exceptional Care.**

The PHOT-xlls intraoral x-ray system delivers superb images, convenience, and control. With its compact and lightweight tube head and adjustable arm system, operators can effortlessly position the unit for optimal imaging from any angle. Whether you choose a standard wall mount configuration or cabinet-mounted solutions, this intraoral x-ray adapts seamlessly to your practice needs, delivering unparalleled clarity and detail in diagnostic imaging.

Tube Voltage Selection

PHOT-xlIs with LCD has 2 tube voltage selection settings to optimize diagnostic imaging:

[60 kV] Setting Provides:

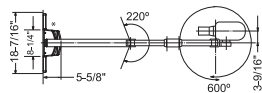
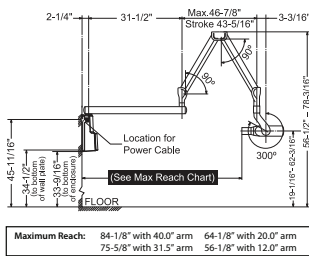
- Balanced contrast for general caries detection.
- Excellent definition and detail for periapical and bone structure imaging.

[70 kV] Setting Provides:

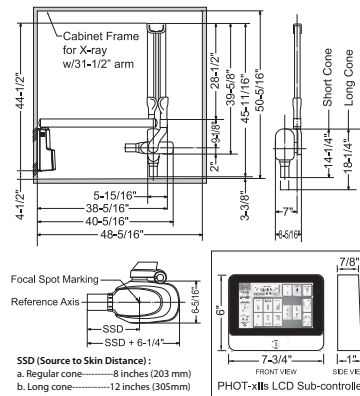
- Imaging for the examination of patients periodontal disease condition.
- Improved pediatric imaging when used in combination with decreased exposure time settings to compensate for patient motion during exposures.

Dimensions:

Wall Mount



Pass-thru mount





Est. 1921

Advancing Dental Care with Quality & Experience

 **Belmont**

Belmont Equipment
Takara Company Canada Ltd.

101 Belmont Drive, Somerset, NJ 08873
2455 Meadowvale Boulevard, Mississauga, Ontario, L5N 5S2

(800) 223-1192 www.belmontequip.com

(800) 268-5351 www.belmont.ca

The specifications and colors are subject to change without notice.