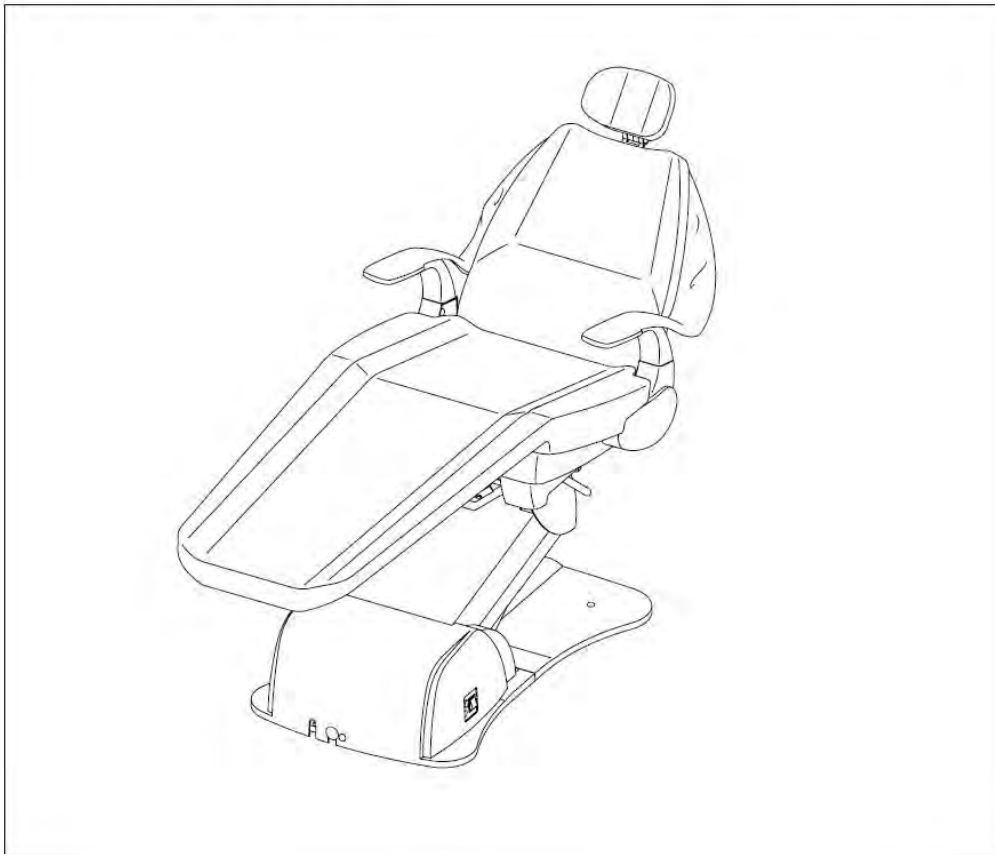


 **TAKARA BELMONT**

# ***X-CALIBUR V***

**DENTAL CHAIR**

**MODEL: B50N/B50V**



## **Replacement Parts**

Revision 10.2.24

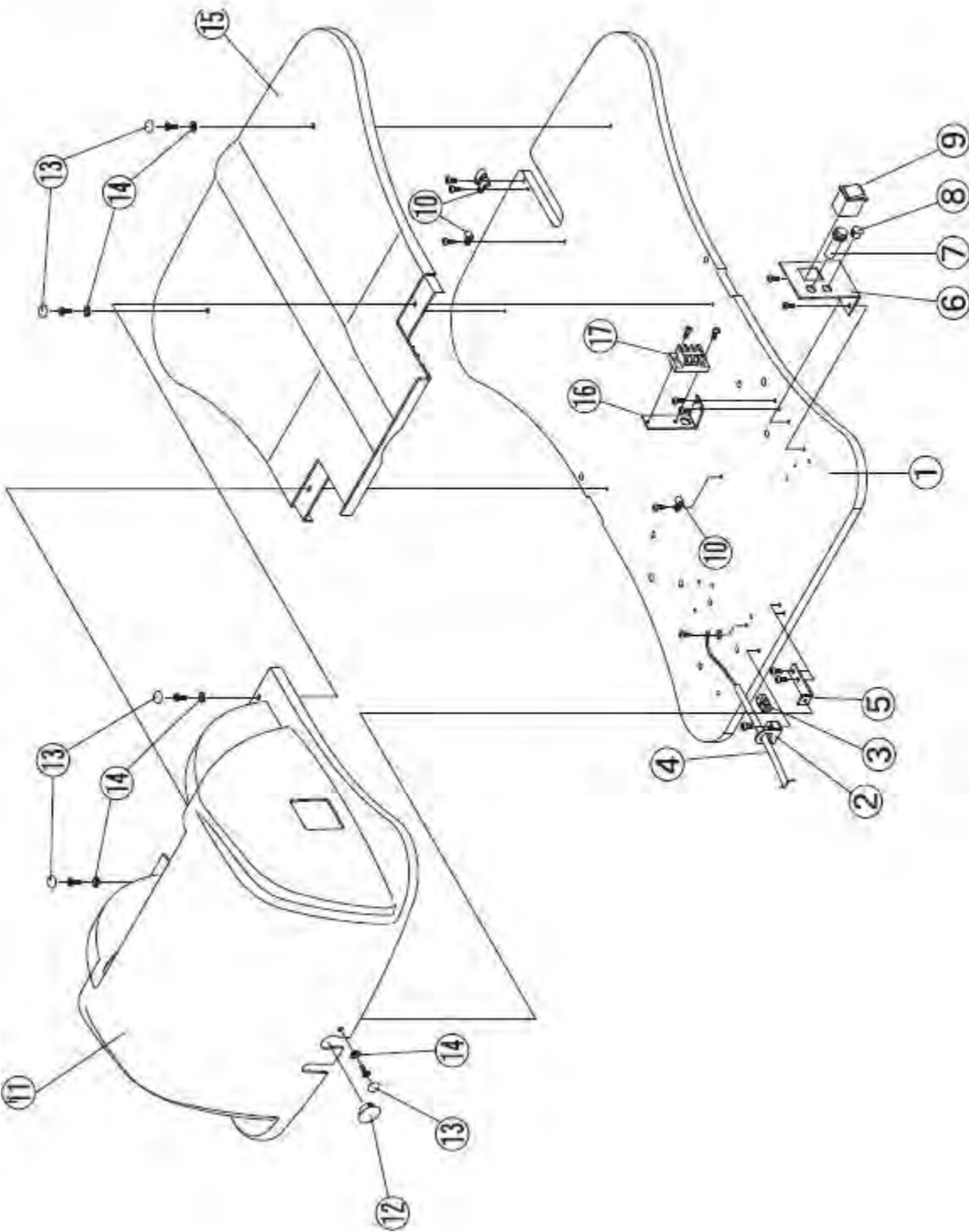
## Table of Contents

3. Base section - 1
4. Base section – 1
5. Base section - 2
6. Base section - 2
7. Base section - 2
8. Base section - 2
9. Base section - 3
10. Base section - 3
11. Base section - 3
12. Base section - 3
13. Seat section - 1
14. Seat section - 1
15. Seat section - 2
16. Seat section - 2
17. Seat section - 2
18. Seat section - 2
19. Seat top - 19
20. B50 seat top
21. B50N seat top
22. Headrest and backrest
23. Headrest and backrest
24. Foot control – 2 position type
25. Foot control – 4 position type
26. Boards and transformers
27. Boards and transformers
28. Boards and transformers
29. Wire harness for brown plug type connections
30. Wire harness for brown plug type connections
31. Wire harness for white plug type connections
32. Wire harness for white plug type connections

Addendum section, additional pictures, product change, details

33. B50 Solenoid Assemblies
34. PC Boards
35. U-Shape bars, flange cover
36. Seat Support plate
37. Foot control/PC boards, Wires
38. Foot control/PC boards, Wires
39. Foot control/PC boards, Wires

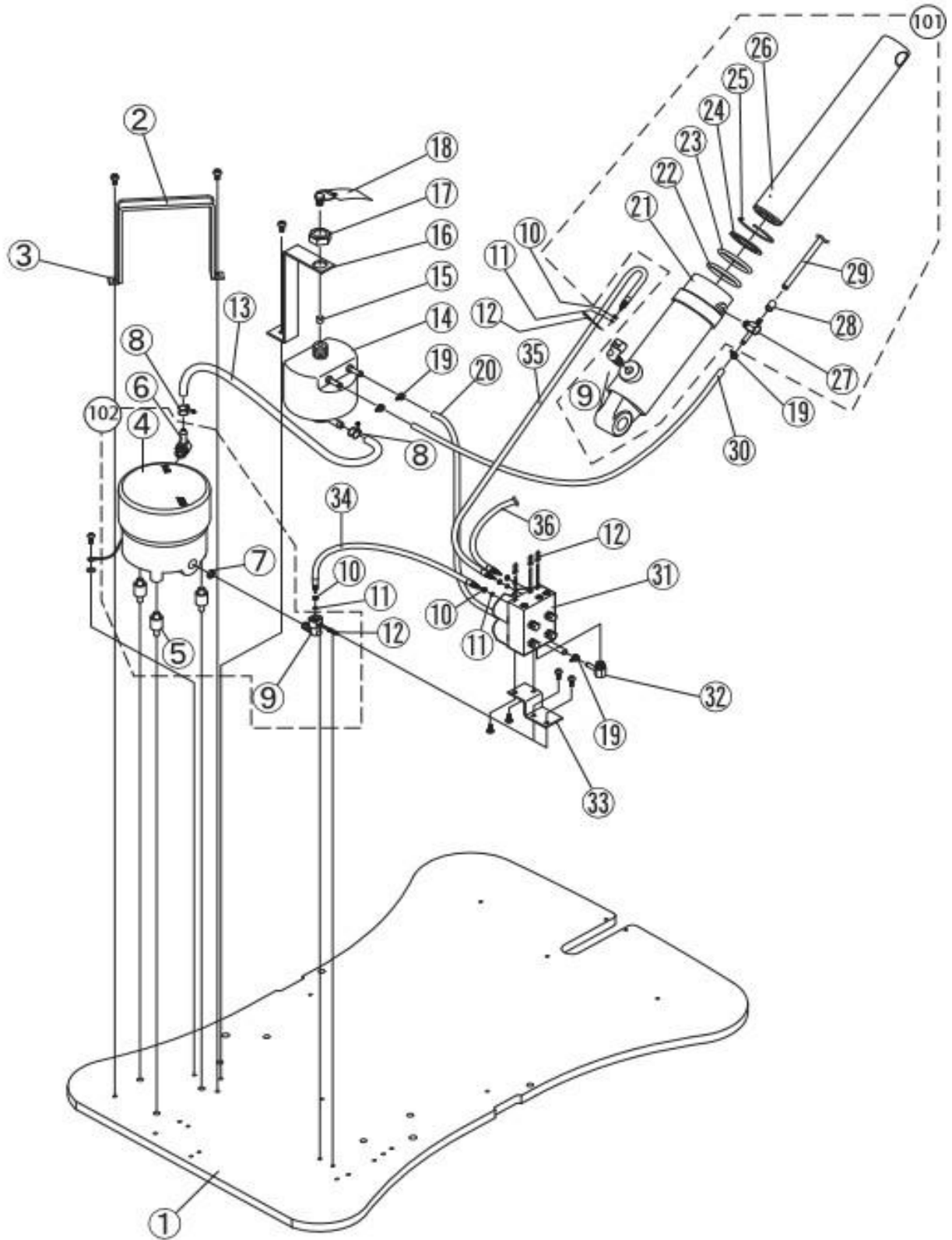
1. Base Section -1



BASE SECTION -1

<i>NO.</i>	<i>PART NUMBER</i>	<i>DESCRIPTION</i>
1	B50DACA12A0	BASE PLATE
2	AAFR16A0	WIRE BRACKET
3	B50AFNA70A0	STRAIN RELIEF
4	1E00CNA0	POWER CORD
5	B50DACR77A0	PUMP COVER BRACKET
6	B50DAQJ07A0	SWITCH BRACKET
7	B50X69860	10A FAST ACTING FUSE
7	B50DEQR01A0	FUSE HOLDER
8	B50AFNA73A0	PLUG
9	B50BELA20A0	SWITCH
10	B10X5052	CLAMP
11	B50HBCE63A0	PUMP COVER
12	AFER24A0	HOLE PLUG
13	B50DEAS15A0	CAP
14	B50DEAS14A0	WASHER
15	B50HBCE64A0	BASE COVER
16	AAFR19A0	TERMINAL BLOCK PLATE
17	AEFU22A0	TERMINAL BLOCK

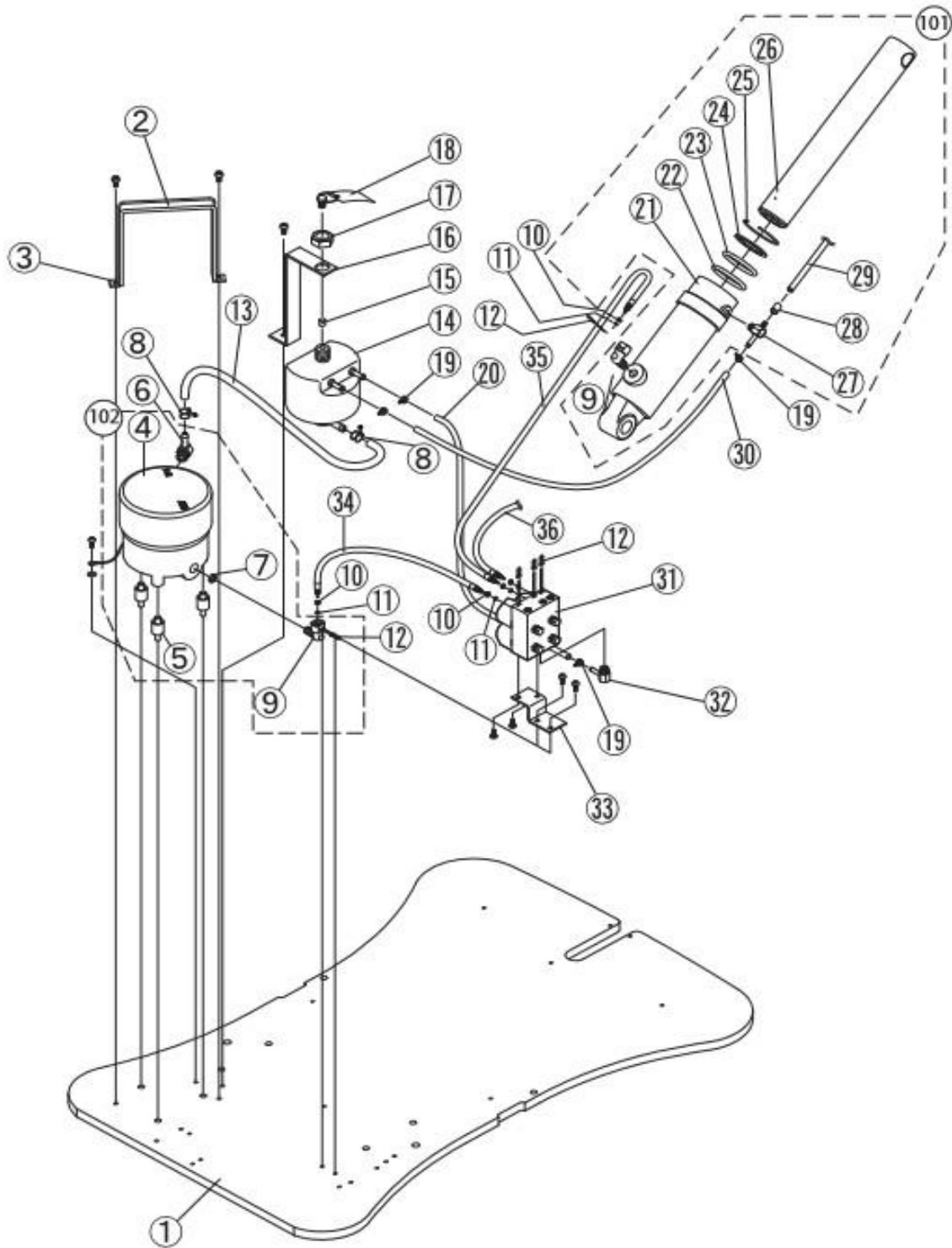
2. Base Section -2



BASE SECTION -2

<i>NO.</i>	<i>PART NUMBER</i>	<i>DESCRIPTION</i>
1	B50DACA12A0	BASE PLATE
2	B50S30200	RUBBER MOTOR CLAMP BELT
3	B50AABN13A0	METAL MOTOR CLAMP
4	B10D6065	MOTOR PUMP ASSY
4	1G01L8A0	MOTOR PUMP ASSY B50N
5	B50R12140	MOTOR MOUNT
6	B50AANF60A0	L SHAPE MOTOR NIPPLE
7	B10F61330	STRAINER
8	B10F2269	HOSE CLAMP
9	B10T1027	ELBOW JOINT
10	B10Q6241	O-RING RETAINER
11	B10F3470	O-RING
12	B10Q6237	U SHAPED PIN
13	B10Q2279	LOW PRESSURE HOSE
14	B10C3244	OIL RESERVOIR
15	B10F6140	OIL FILTER
16	B50DACJ52A0	OIL RESERVOIR BRACKET
17	B50AANK19A0	NUT
18	B10F6170	RUBBER PLUG
19	B10F2268	WIRE CLAMP
20	B10X5557	HOSE 400MM
21	SEE NO. 101	SOLD AS ASSEMBLY ONLY
22	SEE NO. 101	SOLD AS ASSEMBLY ONLY
23	SEE NO. 101	SOLD AS ASSEMBLY ONLY
24	SEE NO. 101	SOLD AS ASSEMBLY ONLY
25	SEE NO. 101	SOLD AS ASSEMBLY ONLY
26	SEE NO. 101	SOLD AS ASSEMBLY ONLY
27	B10Q3585	T-JOINT

2. Base Section -2



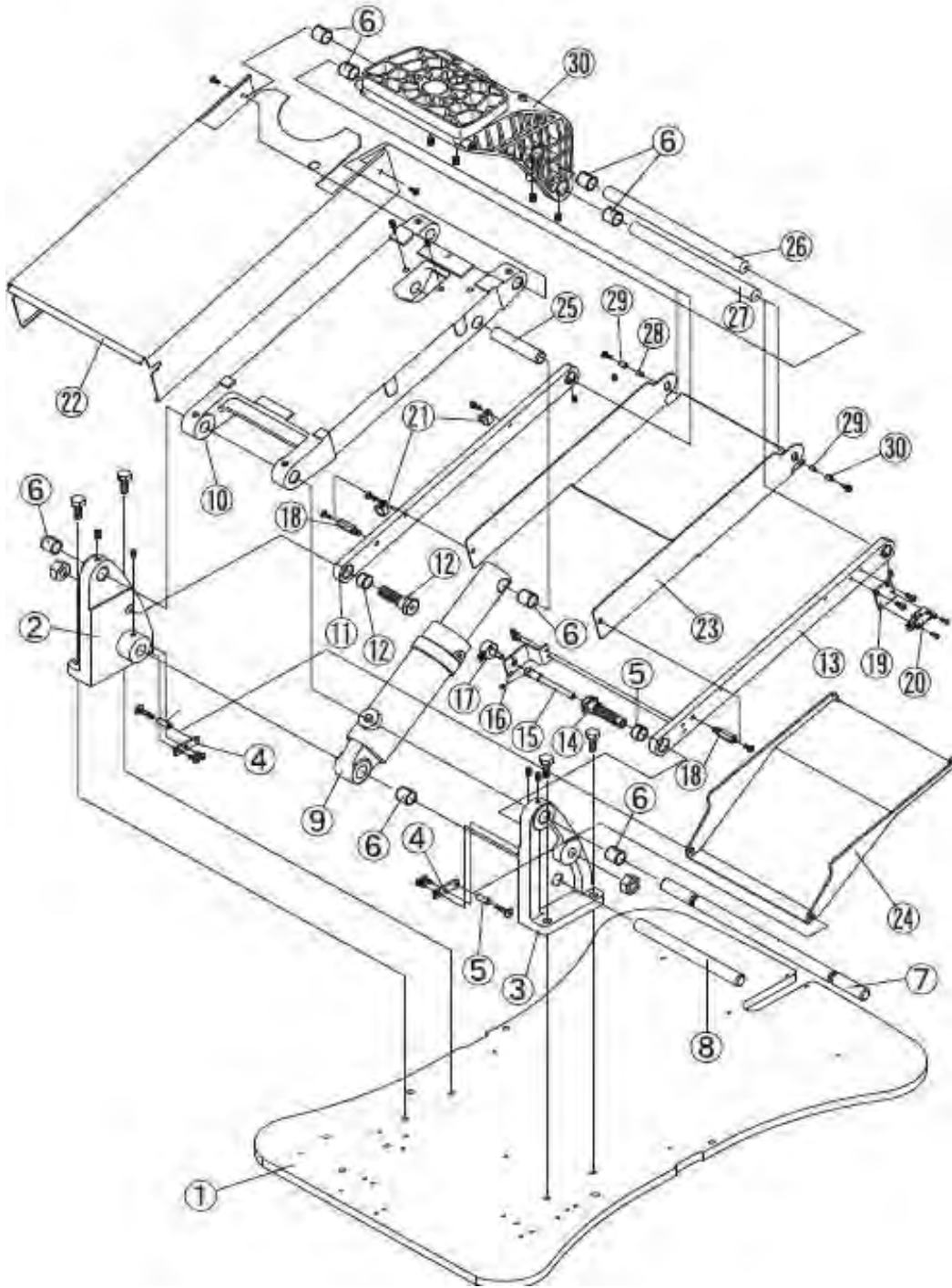
BASE SECTION -2 (CONTINUED)

NO.	PART NUMBER	DESCRIPTION
28	B10X5514	TUBE
29	B10X5513	LOW PRESSURE HOSE
30	B50AENL14A0	LOW PRESSURE HOSE 400MM
31	SEE NO. 103	
32	B10Q2438	L SHAPED HOSE NIPPLE
33	B10G0063	SOLENOID SUPPORT BRACKET
34	C07Q2279	HIGH PRESSURE HOSE 350MM
35	B50AENL74A0	HIGH PRESSURE HOSE 520MM
36	B10U5035	HIGH PRESSURE HOSE 1400MM
101	B10503720	BASE CYLINDER
102	B10D6065	MOTOR PUMP ASSY
103	1X00JNA0	4 WAY CONTROL SOLENOID VALVE ASSY WITH 8 PIN RECTANGULAR CONNECTOR (TILL JULY 2012 PRODUCTION)
103	1G038LA0	4 WAY CONTROL SOLENOID VALVE ASSY WITH 8 PIN RECTANGULAR CONNECTOR (FROM AUGUST 2012 PRODUCTION)

Highlighted parts - Additional information and identification in addendum section of this manual (page 33)



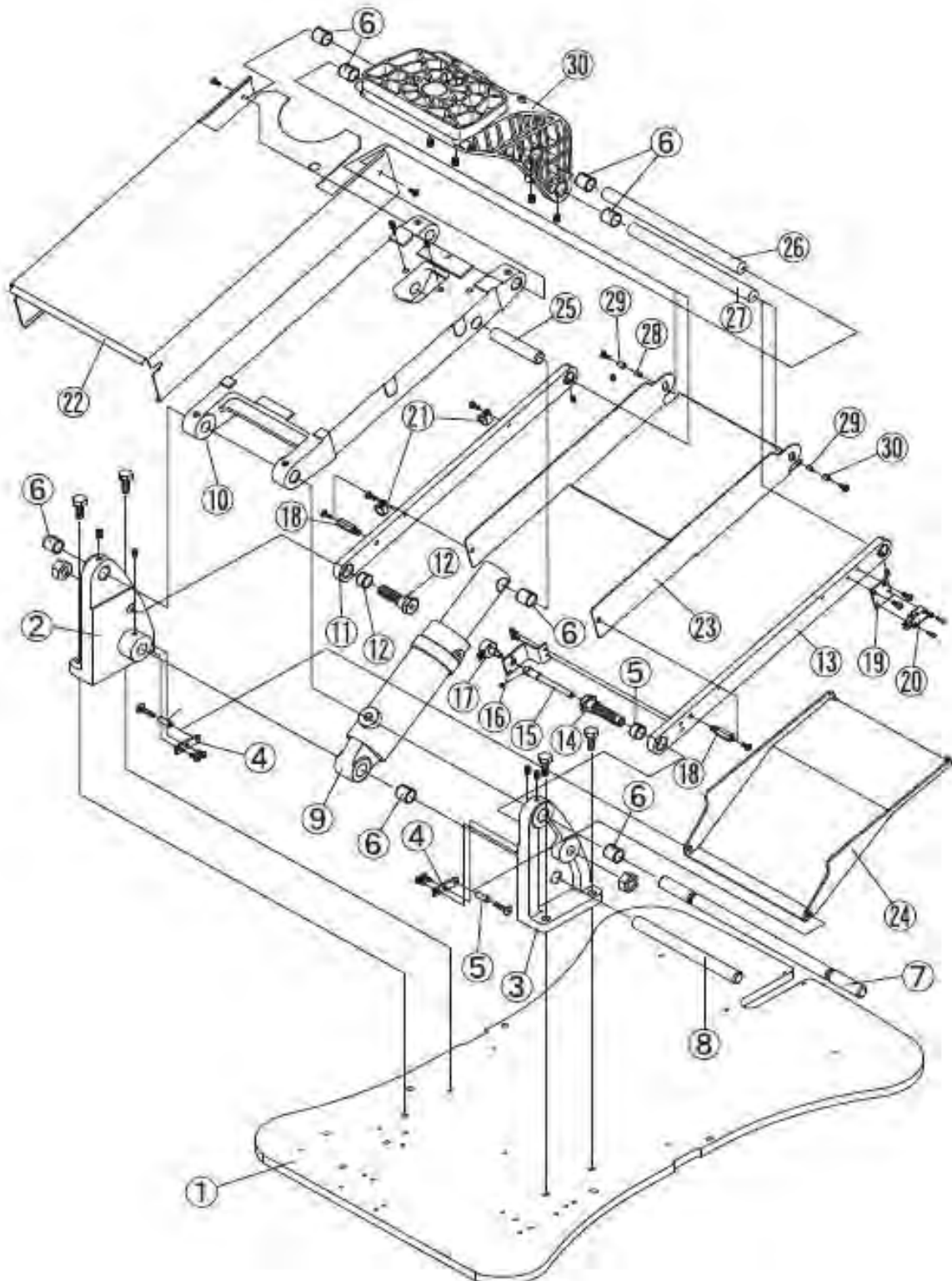
3. Base Section -3



BASE SECTION -3

NO.	PART NUMBER	DESCRIPTION
1	B50DAC12A0	BASE PLATE
2	AADE01A0	LINK BRACKET RIGHT
3	AADE02A0	LINK BRACKET LEFT
4	C07DAQR02A0	BRACKET FOR SUBLINK COVER
5	C07DEQR03A0	SPACER
6	B50AEAN06A0	DU BUSHING DUB1812
7	B50DARJ59A0	CARRIAGE BAR
8	B50P34400	LINK PIN A
9	B10503720	BASE CYLINDER
10	B50DARE41A0	MAIN LINK
11	B50DAQJ02A0	SUB LINK (RIGHT)
12	G-01230	SUB LINK PIN
13	B50DAQJ03A0	SUB LINK (LEFT)
14	B50DAQR03A0	SUB LINK PIN
15	B50DAQR04A0	VOLUME ADJUST KNOB
16	B50DAQR05A0	BRACKET FOR VOLUME
17	GC0035	BASE POTENTIOMETER W/WIRE & CONNECTOR <b><u>BEFORE NOVEMBER 2010</u></b> <b><u>PRODUCTION WITH BROWN CONNECTOR</u></b>
17	1A04KNA0	BASE POTENTIOMETER W/WIRE & CONNECTOR <b><u>IN/AFTER NOVEMBER 2010</u></b> <b><u>PRODUCTION WITH WHITE CONNECTOR</u></b>
18	B50DAQR06A0	SPACER
19	B50G870	SWITCH PLATE
20	B10X6313	MICRO SWITCH
21	C07X5054	CLAMP 3/4
22	B50DAQB02A0	MAIN LINK COVER
23	B50DAQE03A0	SUB LINK COVER

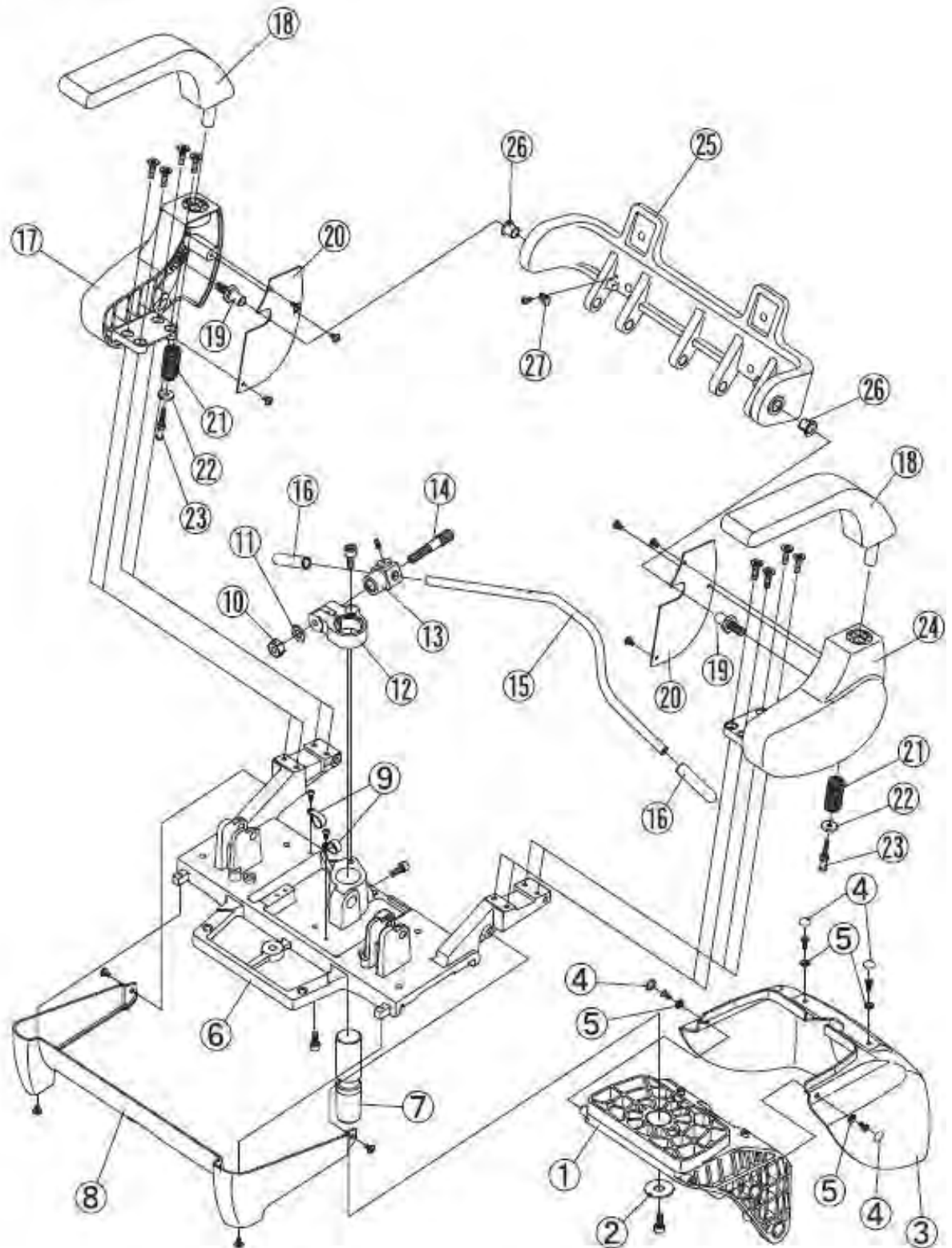
### 3. Base Section -3



BASE SECTION -3 (*CONTINUED*)

<i>NO.</i>	<i>PART NUMBER</i>	<i>DESCRIPTION</i>
24	B50HBBE06A0	SUB LINK COVER (LOWER)
25	B50R31950	CYLINDER PIN (UPPER)
26	B50DAQJ05A0	LINK PIN FOR MAIN LINK
27	B50DAQJ04A0	LINK PIN FOR SUB LINK
28	AEFS06A0	SPACER
29	X-70680	TUBE
30	B50DACA16A0	FLANGE

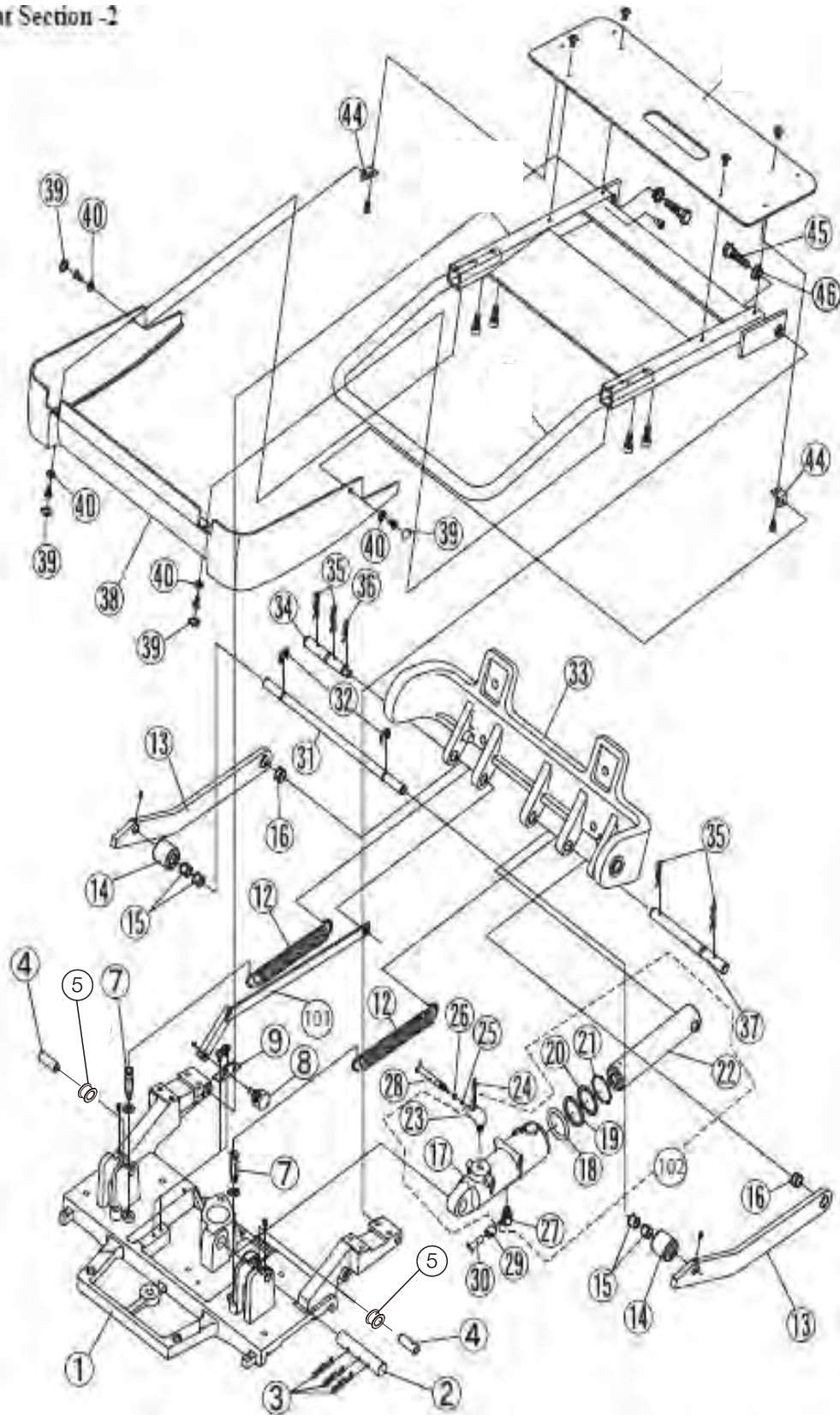
#### 4. Seat Section -1



SEAT SECTION -1

NO.	PART NUMBER	DESCRIPTION
1	B50DACA16A0	FLANGE
2	AAET63A0	WASHER
3	B50HACE66A0	FLANGE COVER (cutout type)
3	1P04DKA0	FLANGE COVER w/center cover f/bracket
4	B50DEAS15A0	CAP
5	B50DEAS14A0	WASHER
6	B50DACA15A0	ROTATING FLANGE
7	B50DACR82A0	ROTATING SHAFT
8	B50HACE67A0	ROTATING FLANGE COVER
9	B50Q31130	CLAMP 5/8
10	B50U21020	LOCK-NUT
11		M12 WASHER
12	B10E6017	CLAMPING BODY
13	B50U35392	LOCK-NUT
14	B10F6104	LOCK SHAFT B10
15	B10K3496	ROTATION LEVER WHITE CHAIR
16	B10G0050	GRIP WHITE
17	B50DACA13A0	SIDE FRAME (RIGHT)
18	B10M3532G	ARMREST W/PIN GREY X-CALIBUR
19	B50DACR80A0	ROTATING SHAFT
20	AADJ13B0	SIDE COVER
20	AADJ14B0	SIDE COVER
21	B10Q3505	ARMREST SPRING ONLY
22	B10Q3503	ARMREST WASHER ONLY
23	B50AADR06A0	ARMREST SCREW
24	B50DACA14A0	SIDE FRAME (LEFT)
25	B50DACB24A0	BACK SUPPORT CASTING, B50
26	B50AFNB07A0	DU BUSHING DUF1415-22
27	B10X5052	CLAMP

5. Seat Section - 2

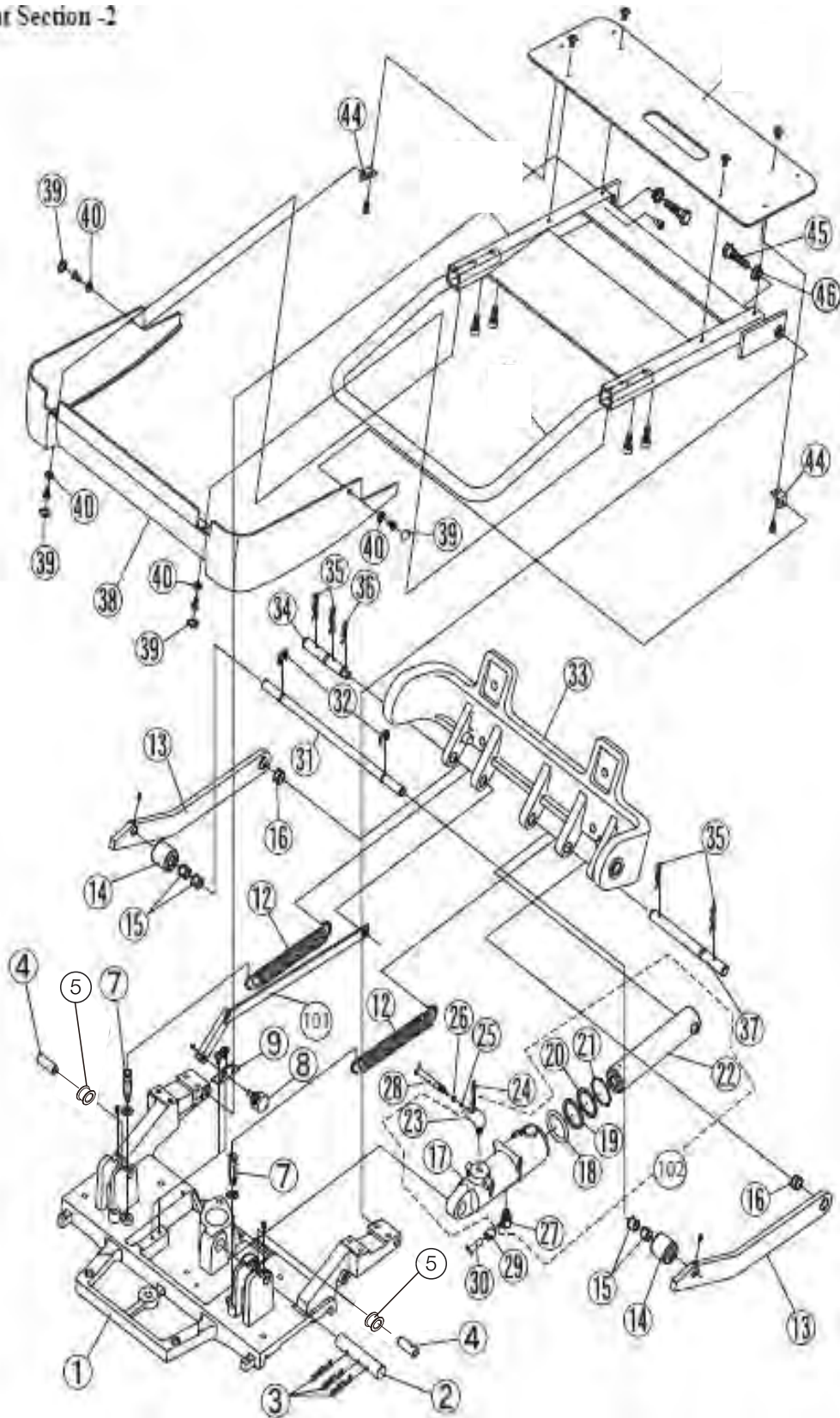


## SEAT SECTION -2

NO.	PART NUMBER	DESCRIPTION
1	B50DACA15A0	ROTATING FLANGE
2	B50U35260	RECLINING CYLINDER PIN
3		COTTER PIN
4	B50DACR81A0	TILT ROLLER PIN
5	AXBA23A0	ROLLER ASSY
7	B50U35240	HOOK FOR SPRING
8	GC0027	RECLINE POTENTIOMETER W/WIRE & CONNECTOR <u>BEFORE NOVEMBER 2010 PRODUCTION WITH BROWN CONNECTOR</u>
8	1A04QSA0	RECLINE POTENTIOMETER W/WIRE & CONNECTOR <u>IN/AFTER NOVEMBER 2010 PRODUCTION WITH WHITE CONNECTOR</u>
9	AAFR20A0	POTENTIOMETER BRACKET
10	SEE NO. 101	LINK SMALL
11	SEE NO. 101	LINK LARGE
12	B10T3692	SPRING F/BACKREST X-CALIBUR
13	B50DACE36A0	TILT BAR
14	B50DABR26A0	ROLLER
15	B50EXBDU121200	DU BUSHING DUB1212
16	B50DEMS40AA	DU BUSHING DUB1408
17	SEE NO. 102	SOLD AS ASSEMBLY ONLY
18	SEE NO. 102	SOLD AS ASSEMBLY ONLY
19	SEE NO. 102	SOLD AS ASSEMBLY ONLY
20	SEE NO. 102	SOLD AS ASSEMBLY ONLY
21	SEE NO. 102	SOLD AS ASSEMBLY ONLY



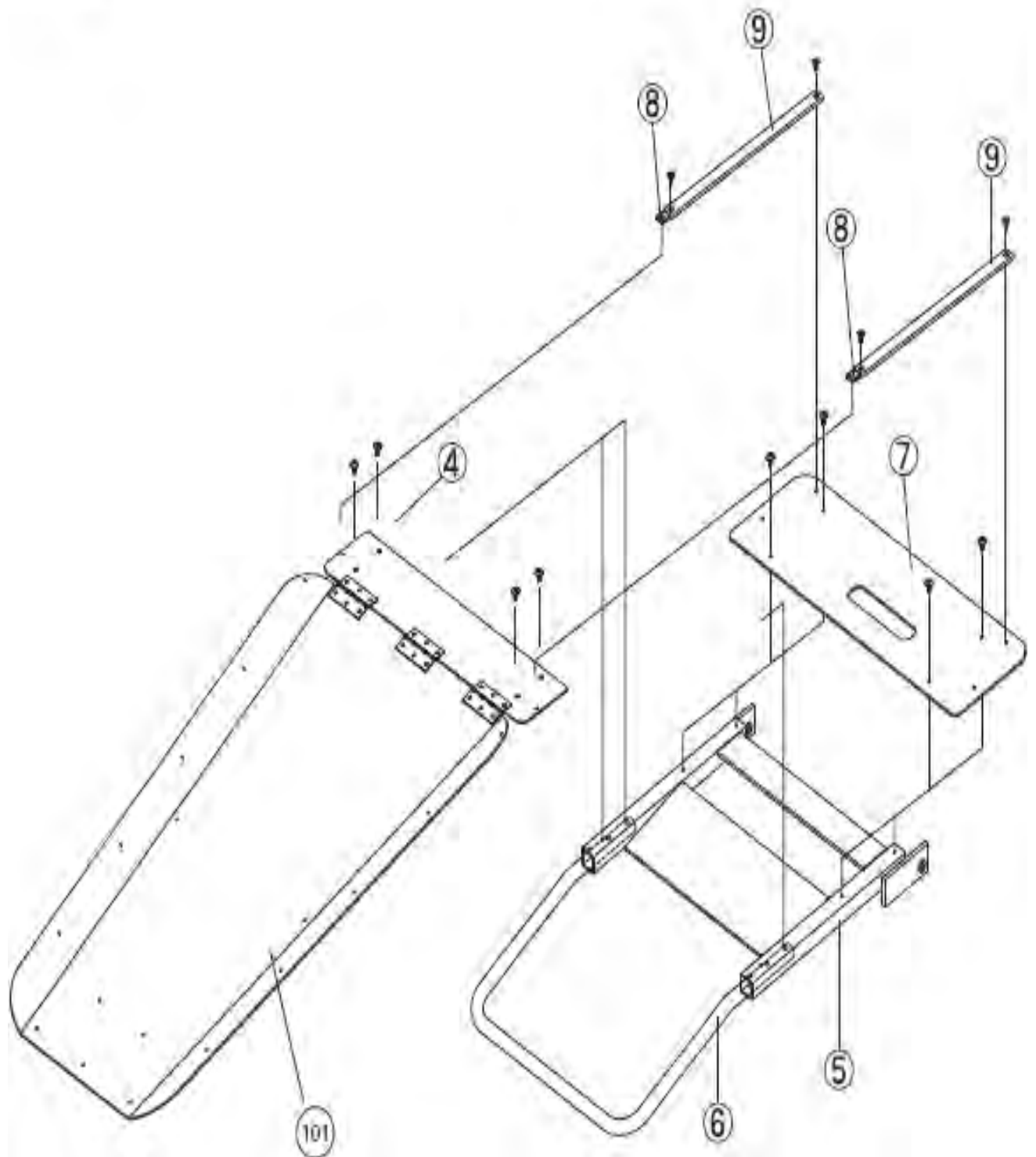
5. Seat Section - 2



SEAT SECTION -2 (CONTINUED)

NO.	PART NUMBER	DESCRIPTION
22	SEE NO. 102	SOLD AS ASSEMBLY ONLY
23	B50SALA05B0	ELBOW (1/8)
24	B10Q6237	U SHAPED PIN
25	B10F3470	O-RING
26	B10Q6241	O-RING RETAINER
27	B50Q33000	ELBOW F/OVERFLOW HOSE
28	B10X5035	HIGH PRESSURE HOSE
29	B50X55140	HOSE SLEEVE
30	B50X55130	HIGH PRESSURE HOSE
31	B50DACJ57A0	E-RING
33	B50DACB24A0	BACK SUPPORT CASTING
34	B50DACR79A0	PIN FOR RECLINING (SMALL)
35		COTTER PIN
36		COTTER PIN
37	B50DACJ55A0	PIN FOR RECLINING (LARGE)
38	B50HACE68A0	TILT COVER
39	B50DEAS15A0	CAP
40	B50DEAS14A0	WASHER
44	AAER88A0	BRACKET
45	B50DACR78A0	BOLT
46	B50AFNB02A0	DU BUSHING DUF1206-20
101	B10503906	RECLINE LINK ASSY
102	B10503721	RECLINE CYLINDER ASSY

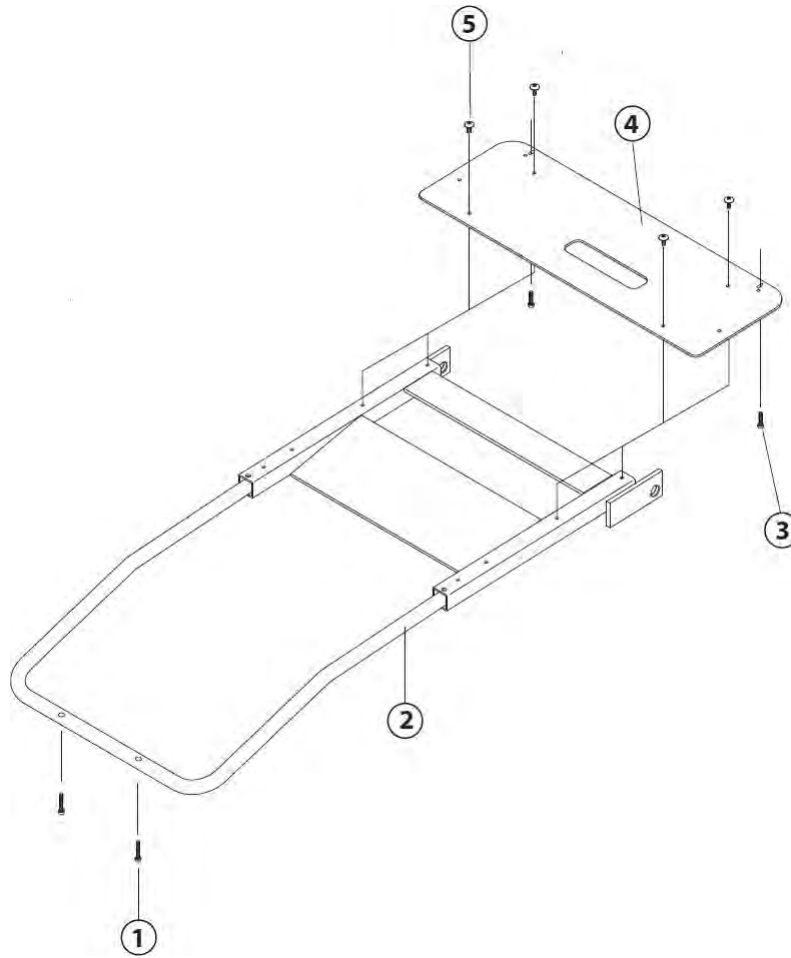
## 6. Seat Top



### B50 SEAT TOP

<i>NO.</i>	<i>PART NUMBER</i>	<i>DESCRIPTION</i>
4	USE NO. 101	SOLD AS ASSEMBLY ONLY
5	B50AADB51A0	SEAT FRAME
6	B50AADB12A0	LEGREST U-SHAPED BAR (B50)
7	B50DACE45A0	SEAT SUPPORT PLATE (B50)
8	B50DACJ56A0	VELCRO MOUNTING PLATE
9	B50DACJ65A0	VELCRO FOR SEAT
101	AXEA02A0	B50 SEAT PLATE ASSEMBLY

Highlighted parts - Additional information and identification in addendum section of this manual (page 35)

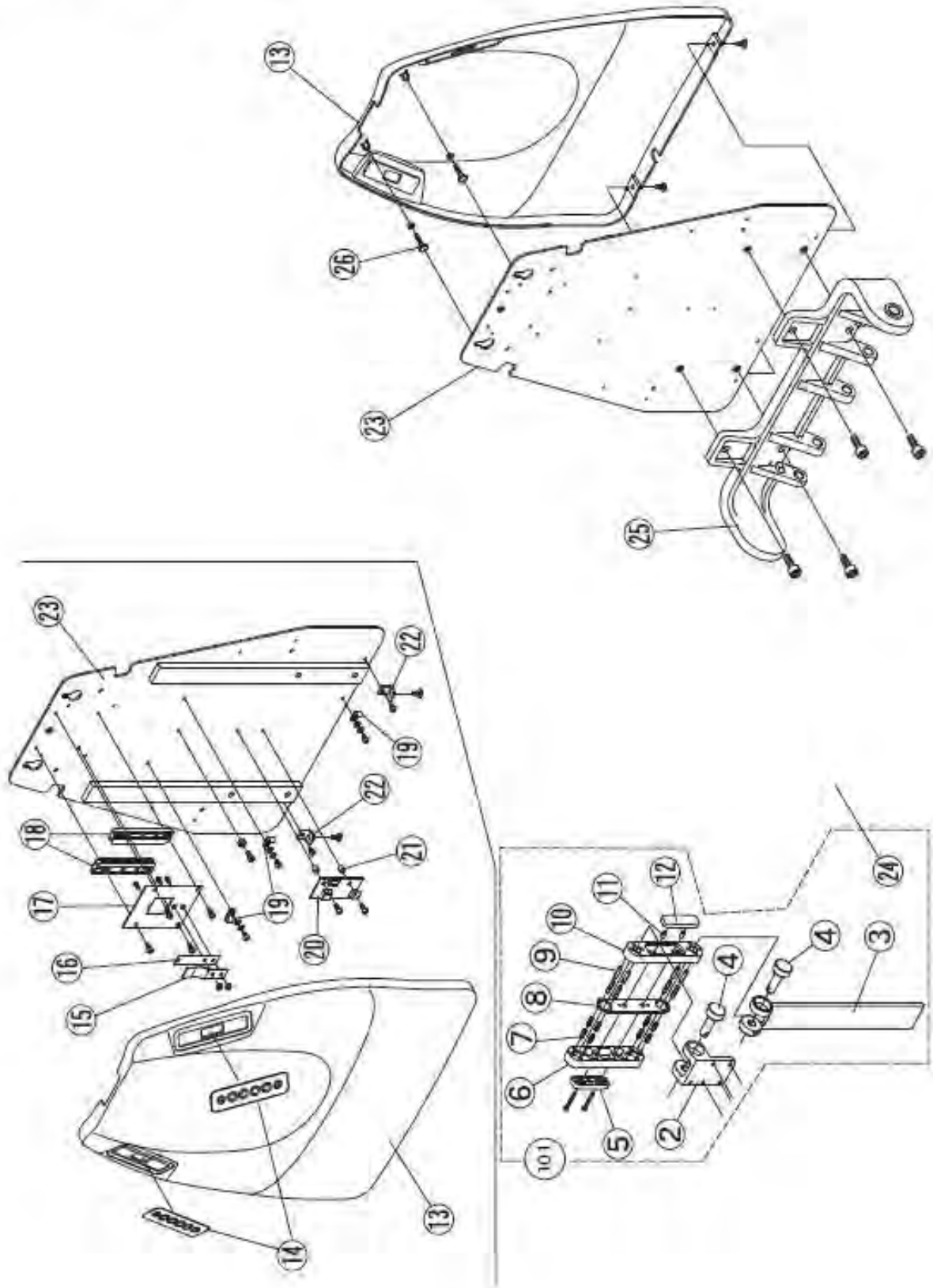


### B50N SEAT TOP

1	MRP025C0150Z	Screw, Round Head, Phillips, ¼-20 x 1-1/2", Zn Pltd.
2	1A0JXUA0	U-SHAPE BAR
3	RT10702	Screw, Round Head, Phillips, ¼-20 x 1", Zn Pltd
4	1A0JXRA0	SEAT PLATE WITH ADDITIONAL HOLES
5		M5X6 PHILLIPS HEAD SCREW

Highlighted parts - Additional information and identification in addendum section of this manual (page 35)

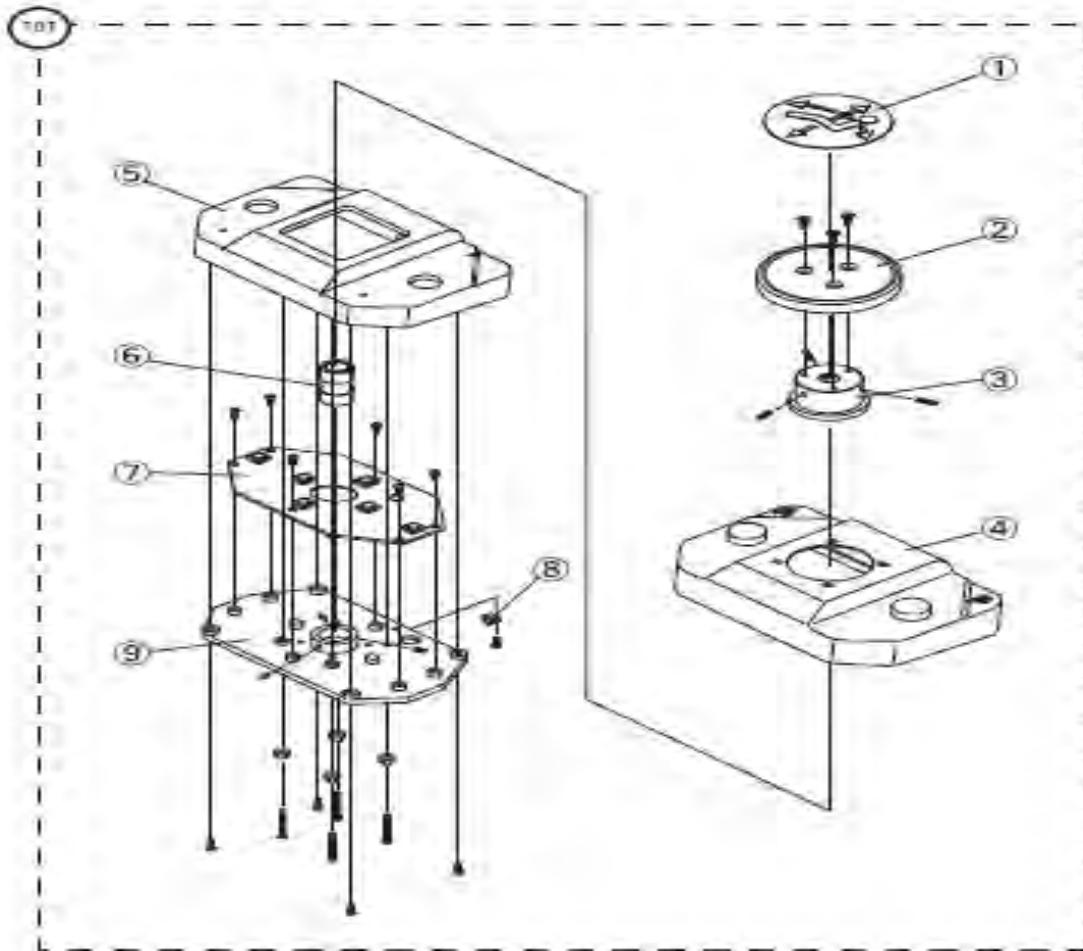
## 7. Headresta and backrest



### HEADREST AND BACKREST

<i>NO.</i>	<i>PART NUMBER</i>	<i>DESCRIPTION</i>
1	USE NO. 101	SOLD AS ASSEMBLY ONLY
2	USE NO. 101	SOLD AS ASSEMBLY ONLY
3	USE NO. 101	SOLD AS ASSEMBLY ONLY
4	USE NO. 101	SOLD AS ASSEMBLY ONLY
5	USE NO. 101	SOLD AS ASSEMBLY ONLY
6	USE NO. 101	SOLD AS ASSEMBLY ONLY
7	USE NO. 101	SOLD AS ASSEMBLY ONLY
8	USE NO. 101	SOLD AS ASSEMBLY ONLY
9	USE NO. 101	SOLD AS ASSEMBLY ONLY
10	USE NO. 101	SOLD AS ASSEMBLY ONLY
11	USE NO. 101	SOLD AS ASSEMBLY ONLY
12	USE NO. 101	SOLD AS ASSEMBLY ONLY
13	B50HBCE65A0	BACKREST COVER
14	B50DACJ53A0	MEMBRANE SWITCH
15	B10S3739	SPRING BAR B10
16	B10S3740	RUBBING BLOCK B10
17	B10S3738	SPRING PLATE F/HR BRACKET B10
18	B10U3534	HEADREST GUIDES PLASTIC
19	B10X5052	CLAMP
20	B50DNRJ02A0	SUB PC BOARD F/WIRE HARNESS
21	AEFS09A0	SPACER
22	AAER88A0	BRACKET
23	B50DACB23A0	BACKREST FRAME
25	B50DACB24A0	BACK SUPPORT CASTING
26	B50DAQR48A0	BACKREST COVER FIXING BOLT
101	B10350851W	HEADREST MECHANISM

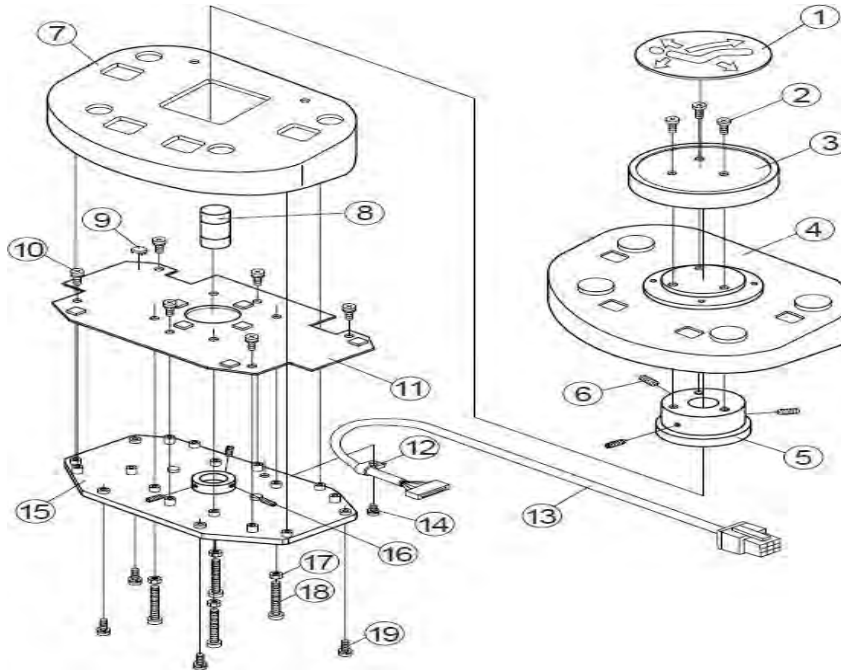
## 8. Foot Switch



FOOT SWITCH 2 POSITION TYPE

NO.	PART NUMBER	DESCRIPTION
1	B10X7322	LABEL
2	B10T3271G	DISK
3	B10U3135	CAP
4	B10K3276G	RUBBER COVER
5	B10K3275	FOOT CONTROL BODY
6	B10U3180	RUBBER SPRING
7	B10X7898	PC BOARD
8	B10X5052	CLAMP
9	B10K3191	SWITCH PLATE



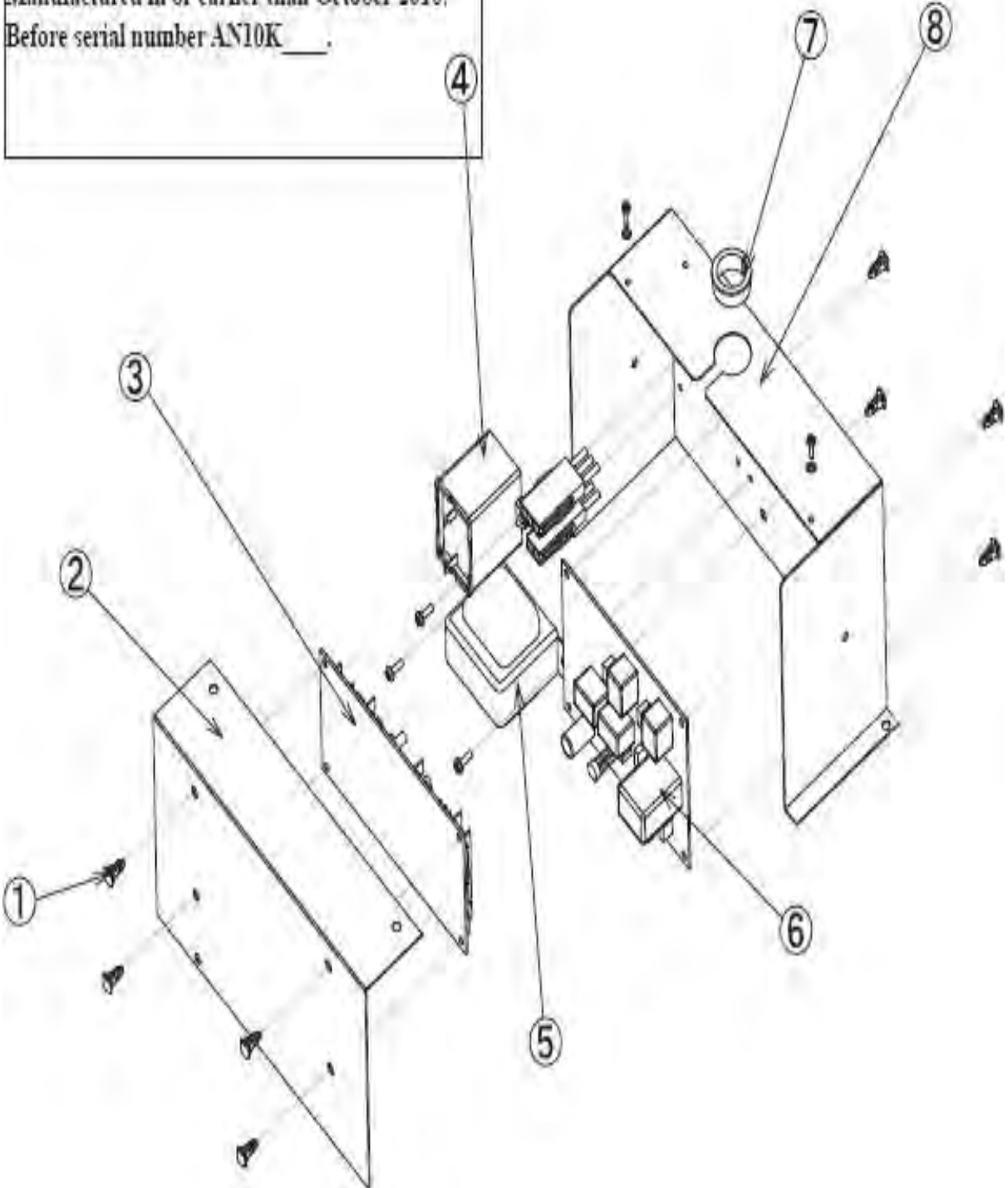


FOOT CONTROL 4 POSITION TYPE

1	C07G0117	LABEL F/FOOT CONTROL
2		SCREW M4X5
3	C07J3276	DISK F/FOOT CONTROL
4	C07M3006	RUBBER COVER
5	C07G0115	CAP F/FOOT CONTROL
6		SET SCREW M4X10
7	C07M3005	FOOT CONTROL BODY
8	C07G0116	ACTUATOR
9	B10X7325	SWITCH
10		SCREW M3X8
11	C07X8124	FOOT CONTROL P.C.BOARD
12	B10X5052	CLAMP
13	C07X8128	FOOT CONTROL WIRE HARNESS
14		SCREW FOR CLAMP
15	C07M3007	SWITCH PLATE ACUTRAC CHAIR
16		SET SCREW M4X5
17		NUT M4
18	B10M35X155	SCREW

9-1. PC boards and transformers

Manufactured in or earlier than October 2010,  
Before serial number AN10K \_\_\_\_.



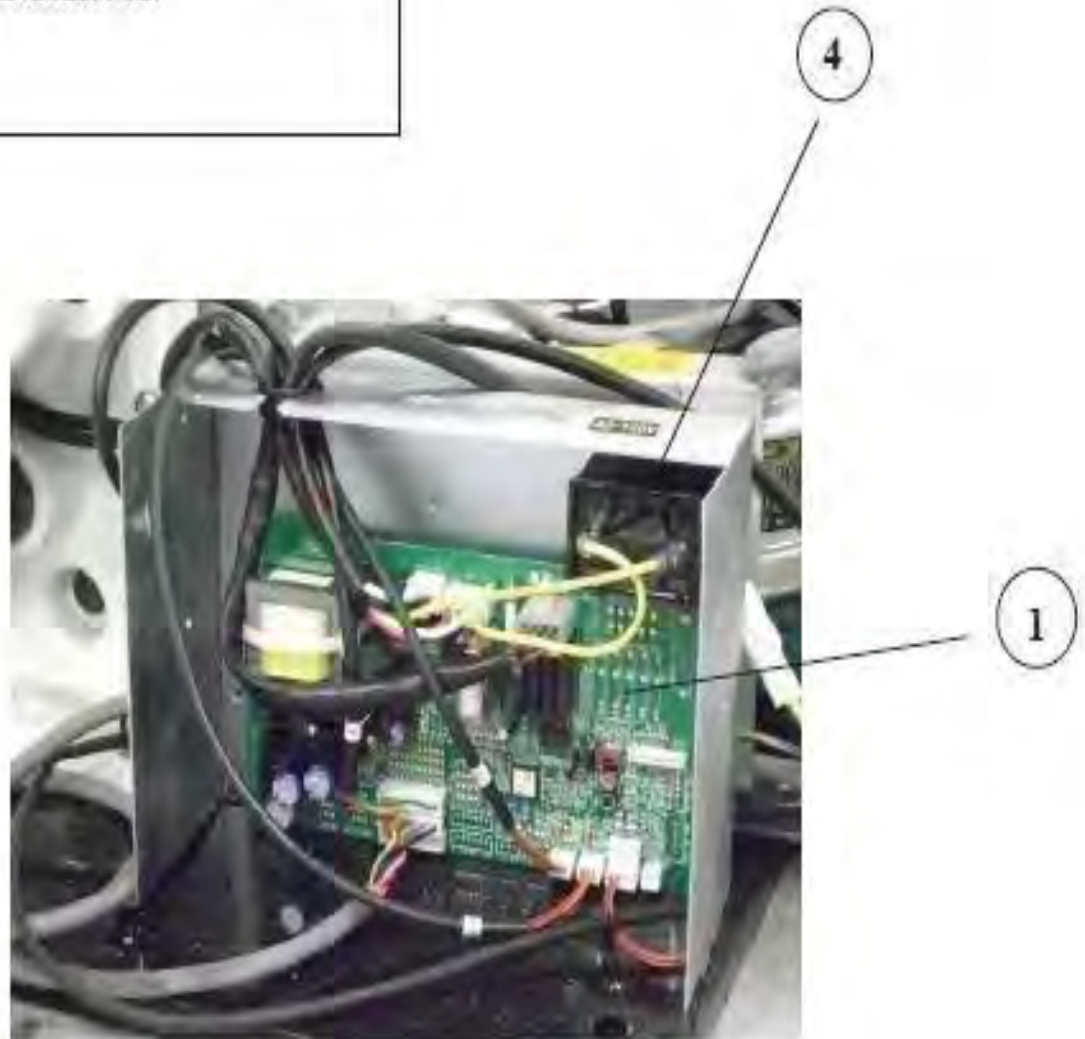
BOARDS AND TRANSFORMERS

<i>NO.</i>	<i>PART NUMBER</i>	<i>DESCRIPTION</i>
1	DELR09AA	SPACER
2	DACE02B0	PCB CASE
3	B50DNCJ06A0	<b>MAIN PC BOARD</b>
4	B10X5002	CAPACITOR
5	B10X2801	TRANSFORMER <b><u>FOR CHAIRS</u></b> <b><u>MANUFACTURED IN FEBUARY 2010 OR</u></b> <b><u>OLDER. PRIOR TO SERIAL NUMBER</u></b> <b><u>AN10B0128</u></b>
5	1G004VA0	TRANSFORMER <b><u>FOR CHAIRS</u></b> <b><u>MANUFACTURED IN FEBUARY 2010 WITH</u></b> <b><u>SERIAL NUMBER AN10B0128 OR NEWER</u></b>
6	B50X81150	RELAY PC BOARD
7	XX-387240352	BUSHING OCB100
8	B50DARE10A0	P.C.B. BOX CASE

**Highlighted parts - Additional information and identification in addendum section of this manual (page 34)**

## 9-2. PC boards and transformers

Manufactured in or later than November, 2010  
After serial number AN10K0001.

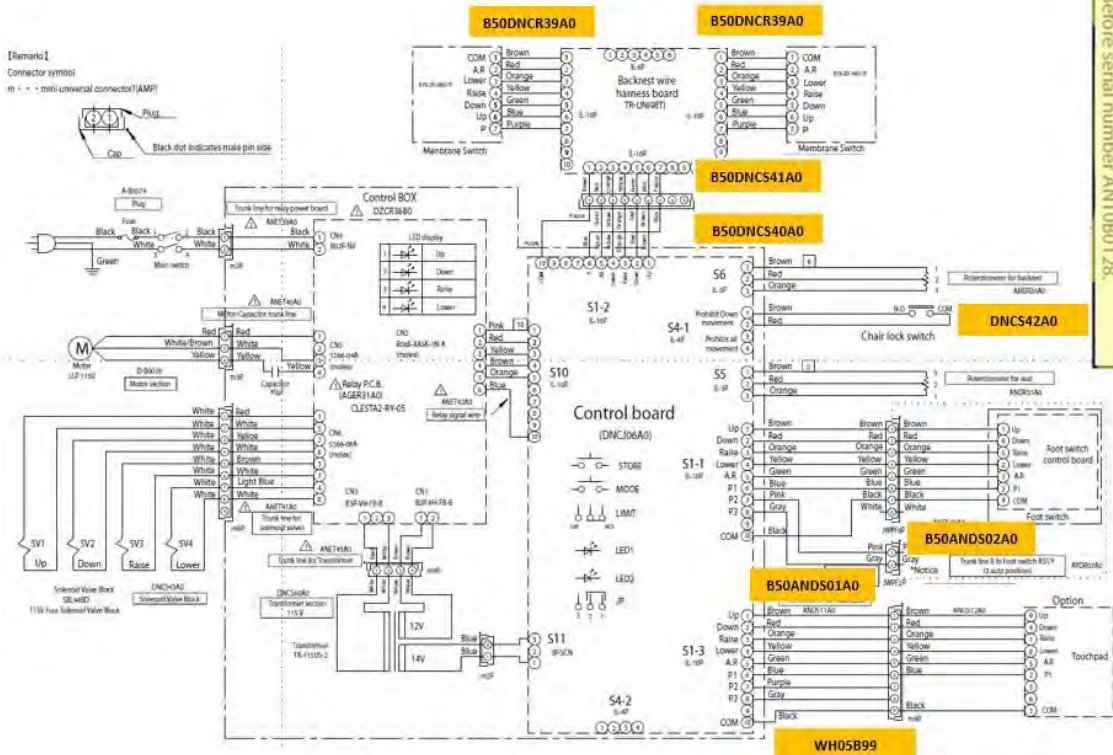


Highlighted parts -additional  
information and  
identification available in the  
addendum section of this  
manual (page 34)

### BOARDS AND TRANSFORMERS

NO.	PART NUMBER	DESCRIPTION
1	1G01GYA0	PLATFORM PCB
4	B10X5002	CAPACITOR

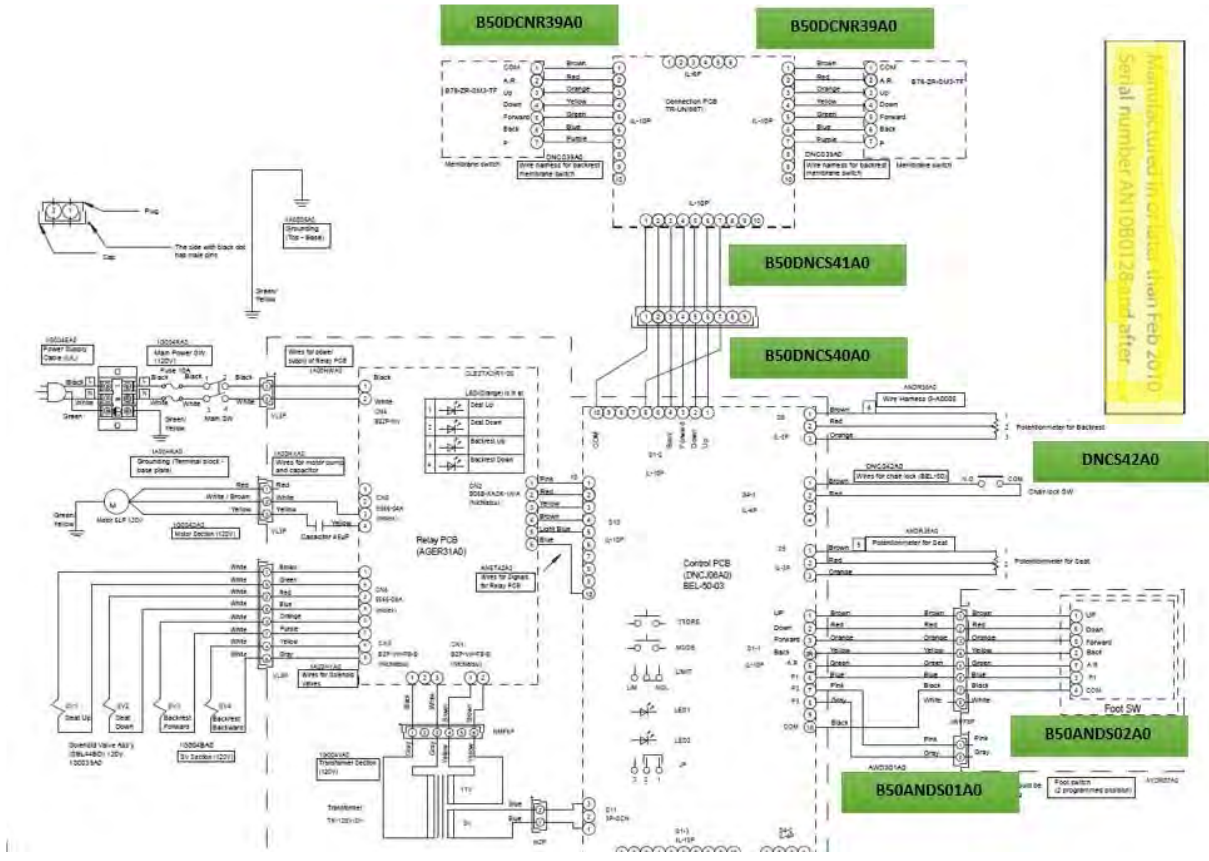
## WIRE HARNESS FOR **BROWN PLUG** TYPE CONNECTIONS



### WIRE HARNESS

1	B50DNCS39A0	B50 WIRE HARNESS MEMBRANE SWITCH TO CONNECTOR BOARD
2	B50DNCS41A0	B50 CHAIR HARNESS- SHORT
3	B50DNCS40A0	B50 CHAIR HARNESS- LONG
4	DNCS42A0	WIRE FOR LOCK SWITCH
5	B50ANDS02A0	FOOT CONTROL HARNESS F/B50
6	B50ANDS01A0	NEW STYLE B-50 WIRE HARNESS FOR MAIN PCB TO FOOT CONTROL
7	WH05B99	TOUCH PAD HARNESS

# WIRE HARNESS FOR BROWN PLUG TYPE CONNECTIONS

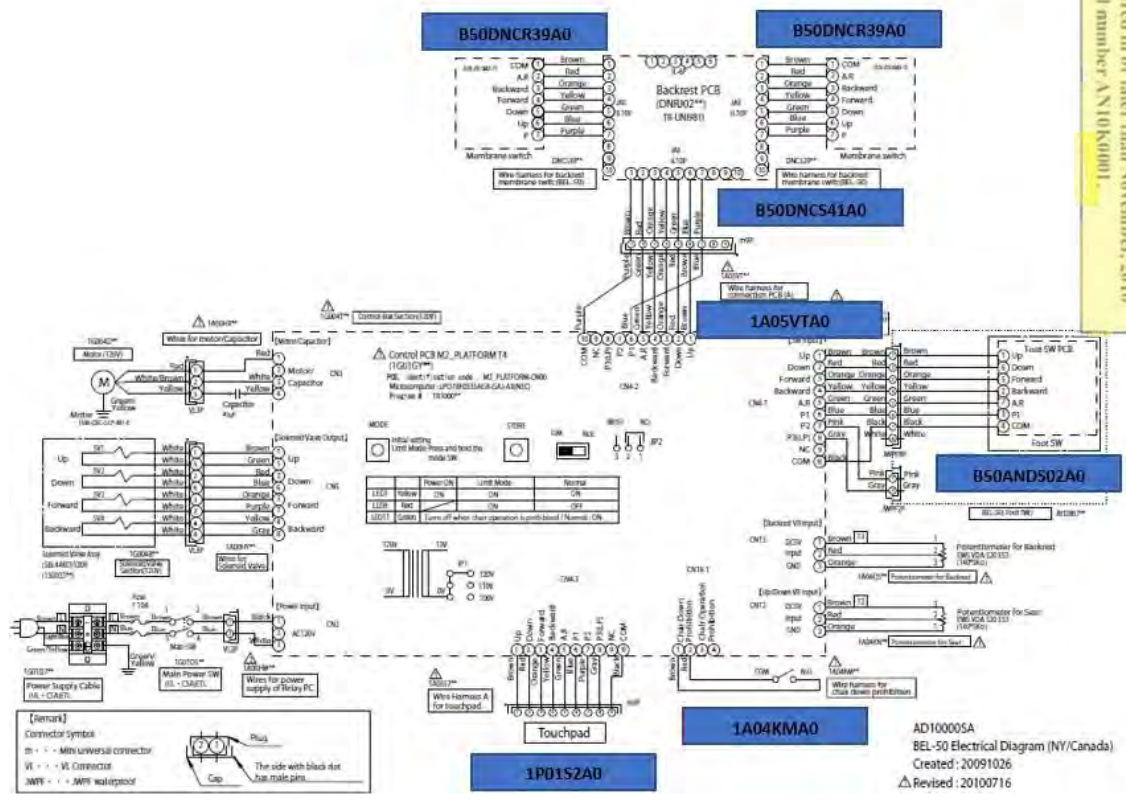


1	B50DNCS39A0	B50 WIRE HARNESS MEMBRANE SWITCH TO CONNECTOR BOARD
2	B50DNCS41A0	B50 CHAIR HARNESS- SHORT
3	B50DNCS40A0	B50 CHAIR HARNESS- LONG
4	DNCS42A0	WIRE FOR LOCK SWITCH
5	B50ANDS02A0	FOOT CONTROL HARNESS F/B50
6	B50ANDS01A0	NEW STYLE B-50 WIRE HARNESS FOR MAIN PCB TO FOOT CONTROL
7	WH05B99	TOUCH PAD HARNESS

# WIRE HARNESS FOR **WHITE** PLUG TYPE CONNECTIONS

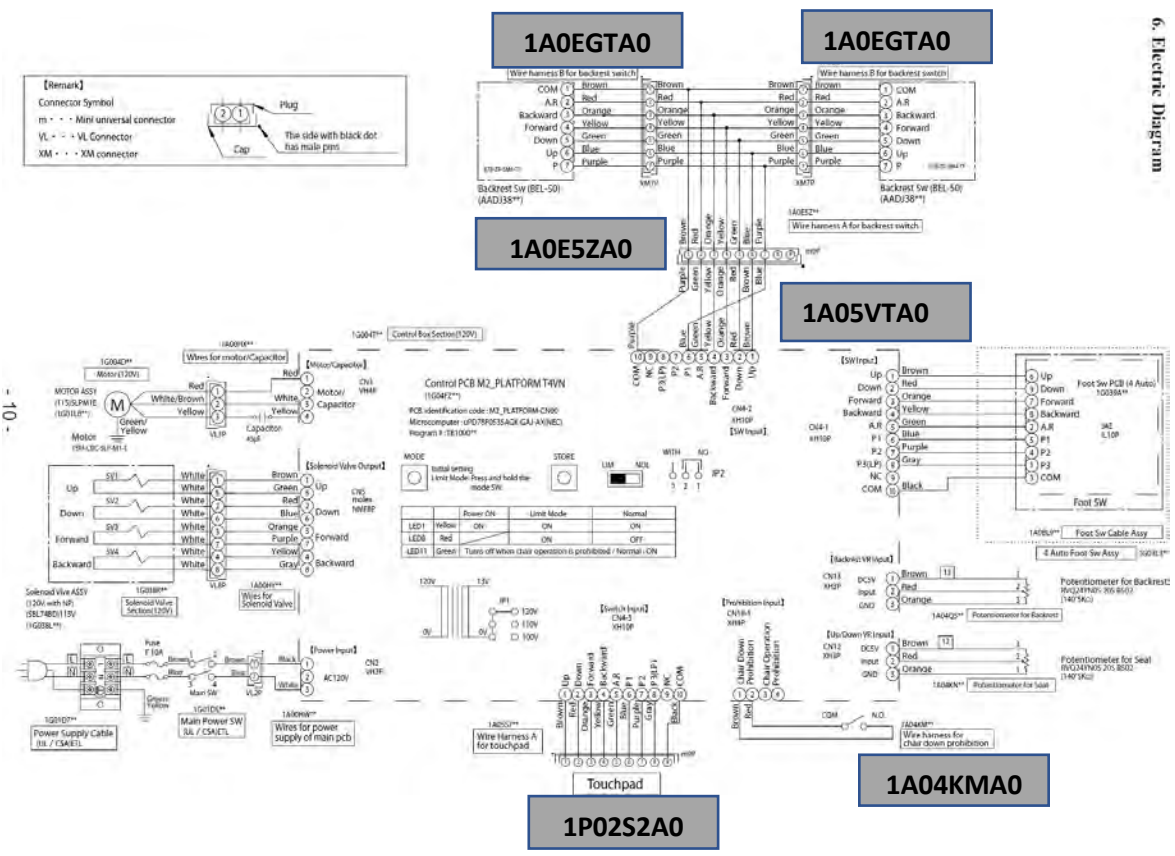
Main fabricated in or later than November 2010  
After serial number AN10N001.

10 - 3 Electric Diagram No.3



1	B50DNCS39A0	B50 WIRE HARNESS MEMBRANE SWITCH TO CONNECTOR BOARD
2	B50DNCS41A0	B50 CHAIR HARNESS- SHORT
3	1A05VTA0	B50 CHAIR HARNESS- LONG
4	1A04KMA0	WIRE FOR LOCK SWITCH
5	B50ANDS02A0	FOOT CONTROL HARNESS F/B50
6	B50ANDS01A0	NEW STYLE B-50 WIRE HARNESS FOR MAIN PCB TO FOOT CONTROL
7	1P01S2A0	TOUCH PAD HARNESS

# WIRE HARNESS FOR **WHITE PLUG** CONNECTIONS **B50N**



1	1A0EGTA0	B50N WIRE HARNESS MEMBRANE SWITCH TO CONNECTOR BOARD
2	1A0E5ZA0	B50N CHAIR HARNESS- SHORT
3	1A05VTA0	B50 CHAIR HARNESS- LONG
4	1A04KMA0	WIRE FOR LOCK SWITCH
7	1P02S2A0	TOUCH PAD HARNESS



## Addendum B50 Solenoid Assemblies



1X00JNA0 COIL SIDE



1X00JNA0 BACK SIDE

Used with: X-CALIBUR V chairs  
Serial Numbers: 010004D - AL12H0005  
Chair Production: March 2003 - July 2012



1G038LA0 COIL SIDE



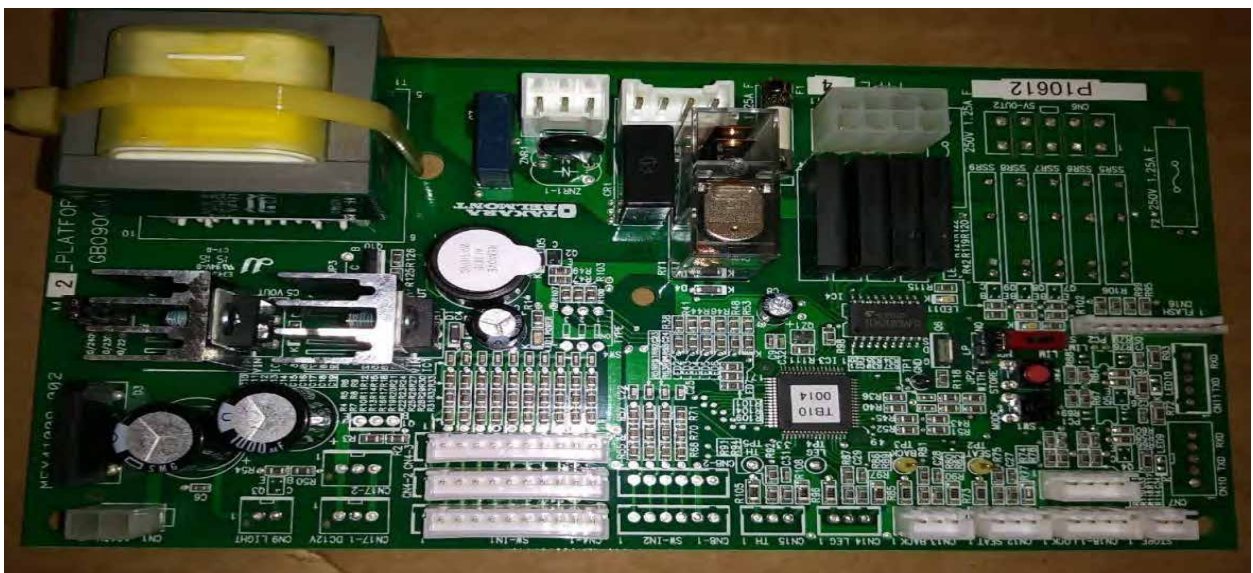
1G038LA0 BACK SIDE

Used with: X-CALIBUR V chairs  
Serial Numbers: AL12H0006-  
Chair Production: August 2012 -

# PC Boards



**B50DNCJ06A0 MAIN PC BOARD (brown plug connectors)**

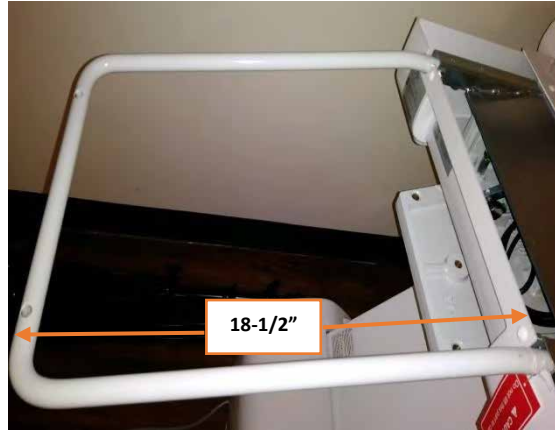


**1G01GYA0 PLATFORM PC BOARD (White plug connectors)**

## U-Shape Bars



B50AADB12A0 (shorter)



1A0JXUA0 (Longer w/holes)

## Flange Covers



B50HACE66A0 (cutout type)



1P04KDA0 (w/center cover)



B50DACS11A0

STICKER FOR  
CUTOUT TYPE  
FLANGE COVER

# Seat Support Plate



B50DACE45A0 SEAT SUPPORT PLATE FOR B50 (WITHOUT HOLES)

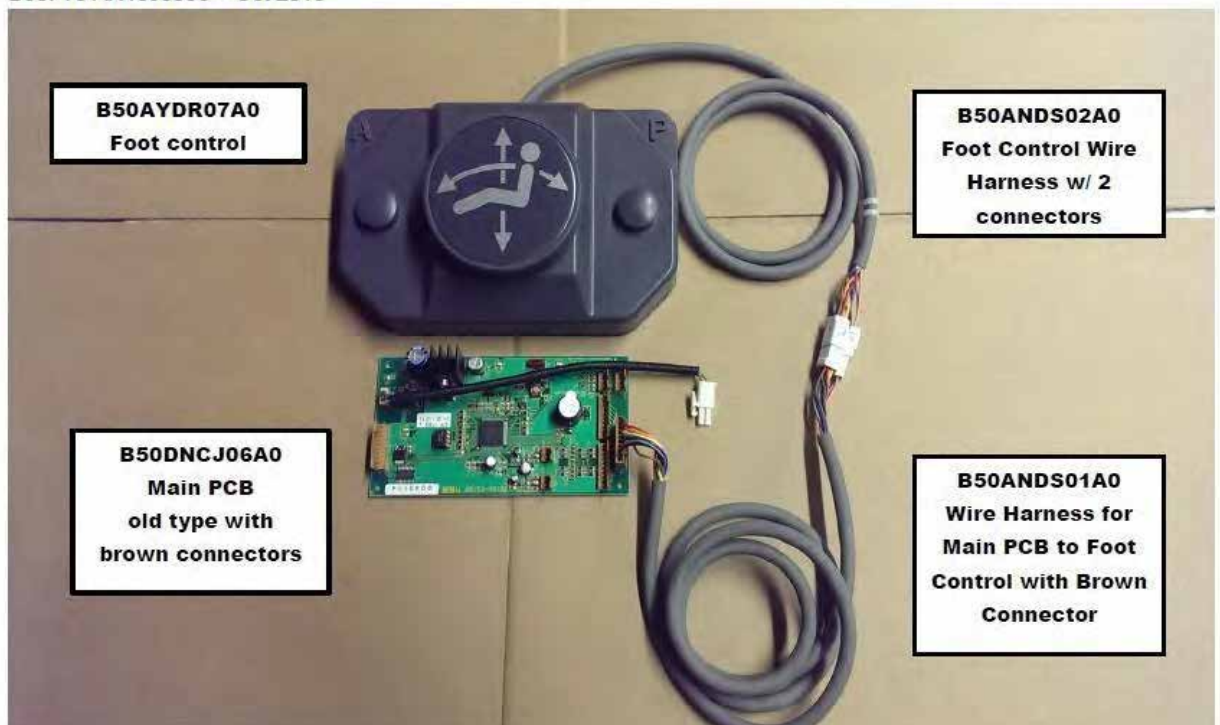
1A0JXRA0 SEAT SUPPORT PLATE FOR B50N (WITH HOLES)

# Foot Control/PC Boards Wires

B50: From AN10K0001 to AN13J0112 – Nov 2010 to Oct 2013



B50: To AN10J0038 – Oct 2010



**BEL-50 4 Position Type Control:**

**Brown Connector at PCB Type**



**Single Molex Plug**



This foot control version is sold as a complete assembly only

**1G03L3A0**  
Foot Control with 2  
presets, last position and  
auto return

**1G01GYA0**  
Platform PCB new  
type with white  
connectors

