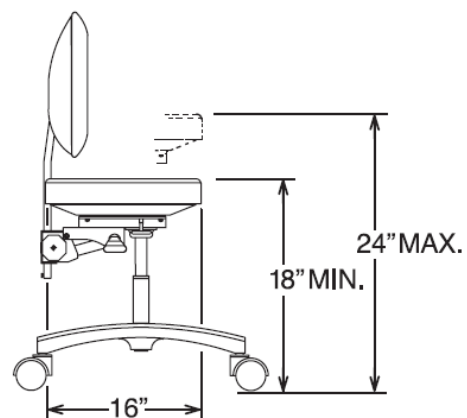
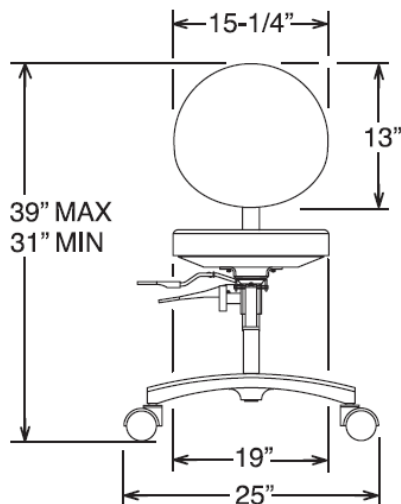


090 Doctor's Stool

Stool Specifications

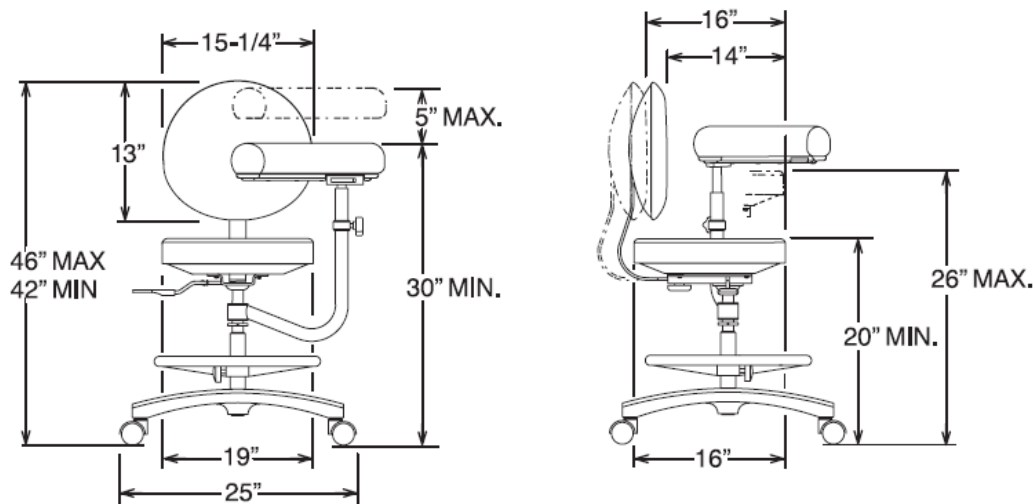
- **Model Number:** 090 / 090L
- **Intended Users:** Doctors and Hygienists
- **Operator Weight Capacity:** 250 lbs
- **Upholstery Type:** 090 Vinyl / 090L Ultraleather
- **Seat & Backrest Cushion Shape:** Contoured
- **Adjustable Seat Height Range:** 18" Min; 24" Max
- **Tilt:** Coordinated Seat & Backrest Tilt
- **Backrest Height Adjustment Stroke:** 8"
- **Base:** Brushed Aluminum; 5-Spoke
- **Casters:** Metal-Hooded; 5
- **Warranty:** 2-Years (Stool Components) / 1-Year (Upholstery)



091 Assistant's Stool (Right-Handed)

Stool Specifications

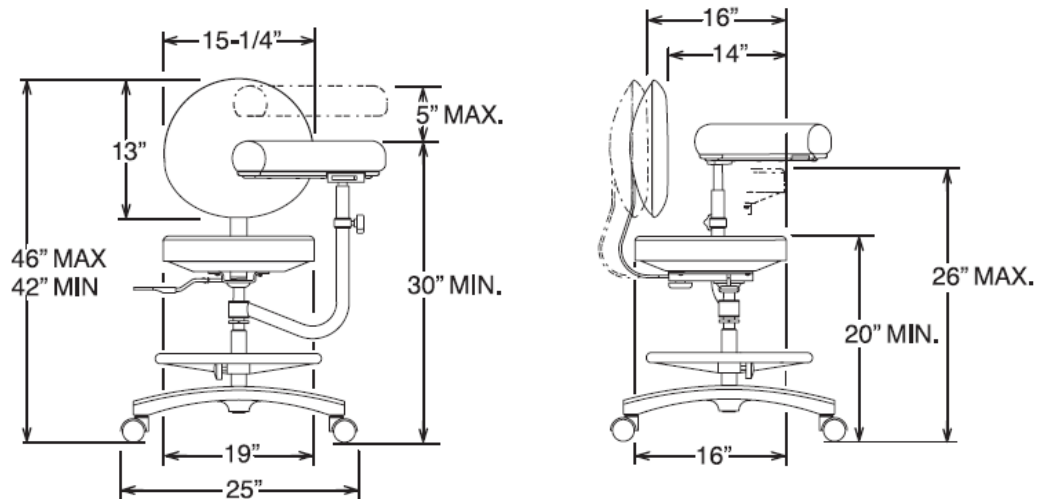
- **Model Number:** 091 / 091L
- **Intended Users:** Right-Handed Assistants
- **Operator Weight Capacity:** 250 lbs
- **Upholstery Type:** 091 Vinyl / 091L Ultraleather
- **Seat & Backrest Cushion Shape:** Contoured
- **Padded Armrest Cushion Shape:** Crescent
- **Body Support Cushion Shape:** Crescent
- **Adjustable Seat Height Range:** 20" Min; 26" Max
- **Backrest Horizontal Adjustment Stroke:** 2"
- **Adjustable Armrest & Body Height Range:** 30" Min; 35" Max
- **Quick-Release Ratcheting Armrest & Body Support**
- **Foot Ring:** Height Adjustable
- **Base:** Brushed Aluminum; 5-Spoke
- **Casters:** Metal-Hooded; 5
- **Warranty:** 2-Years (Stool Components) / 1-Year (Upholstery)



091R Assistant's Stool (Left-Handed)

Stool Specifications

- **Model Number:** 091R / 091RL
- **Intended Users:** Left-Handed Assistants
- **Operator Weight Capacity:** 250 lbs
- **Upholstery Type:** 091R Vinyl / 091RL Ultraleather
- **Seat & Backrest Cushion Shape:** Contoured
- **Padded Armrest Cushion Shape:** Crescent
- **Body Support Cushion Shape:** Crescent
- **Adjustable Seat Height Range:** 20" Min; 26" Max
- **Backrest Horizontal Adjustment Stroke:** 2"
- **Adjustable Armrest & Body Height Range:** 30" Min; 35" Max
- **Quick-Release Ratcheting Armrest & Body Support**
- **Foot Ring:** Height Adjustable
- **Base:** Brushed Aluminum; 5-Spoke
- **Casters:** Metal-hooded; 5
- **Warranty:** 2-Years (Stool Components) / 1-Year (Upholstery)



Specifications	090 / 090L	091 / 91L	091R / 091RL
Description	Doctor's Stool	Assistant's Stool	Assistant's Stool
Intended User	Doctors & Hygienists	Right-Handed Assistants	Left-Handed Assistants
Operator Weight Capacity	250 lbs	250 lbs	250 lbs
Seat Range	18" Min; 24" Max	20" Min; 26" Max	20" Min; 26" Max
Upholstery Material	Vinyl / Ultraleather	Vinyl / Ultraleather	Vinyl / Ultraleather

Features			
Contoured Backrest	✓	✓	✓
Crescent Shaped Armrest/Body Support Cushion	-	✓	✓
5-Spoke Brushed Aluminum Base	✓	✓	✓
Metal-Hooded Casters	✓	✓	✓
Quick-Release Ratcheting Body Support Armrest	-	✓	✓

Adjustments & Capabilities			
Seat Tilt Adjustment	✓	-	-
Backrest Tilt Adjustment	✓	-	-
Height-Adjustable Backrest	✓	-	-
Backrest Horizontal Adjustment	-	✓	✓
Height-Adjustable Padded Armrest Cushion	-	✓	✓
Height-Adjustable Body Support Cushion	-	✓	✓
Height-Adjustable Foot Ring	-	✓	✓

Warranty			
2-Year (Stool Components) / 1-Year (Upholstery)	✓	✓	✓