

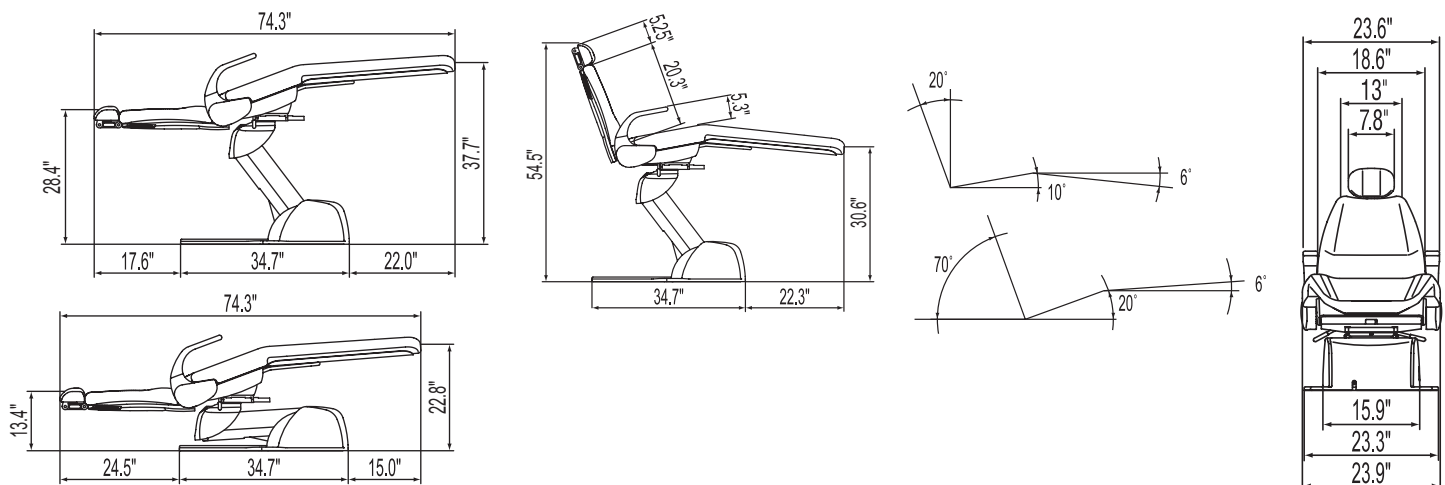
# B50N

## Dental Chair Specifications

- **Lift System:** Compensating Cantilever Type
- **Electrohydraulic System:** Standard
- **Power Rating:** AC 120V/60HZ 3.7A
- **Dual Articulating Headrest:** Pushbutton Release Mechanism
- **Headrest Extension/Retraction:** Friction Stop Mechanism
- **Armrest Rotation:** Rotate Outward 90°
- **Seat Rotation:** 60° (30° right or left of chair centerline)
- **Seat Swivel Lock Mechanism:** Manual, Lever
- **Seat Positioning Controls:** Integrated Backrest Touchpads and Foot Control
- **Foot Control:** Standard
- **Safety Motion Stop:** Rear Cantilever Arm Cover Plate or Press Any Control Switch
- **Upholstery Styles (4):** Standard with Slings (seamless), Standard without Slings (seamless), Plush with Slings, Plush without Slings
- **Unit Mounting Types:** Swing-Mounted and Side-Mounted
- **Base Plate:** Steel



## X-Calibur V Series Model B50N Dimensions



Comfort & Performance	Q5500	Q3300	B50N	PRO III
Dual Articulating Headrest	✓	✓	✓	✓
Rotating Armrests	✓	✓	✓	✓
Seat Rotation (Right and Left of Chair Centerline)	30°	30°	30°	105°
Programmable Preset Options	✓	✓	✓	✓
Folding Legrest	-	-	-	✓
Patient Weight Capacity	440 lbs.	440 lbs.	330 lbs.	298 lbs.
Chair Height Range (Lowest – Highest)	15-¾" Min. 31-½" Max.	15-¾" Min. 31-½" Max.	13-⅞" Min. 28-⅜" Max.	18-⅞" Min. 28-½" Max.
System & Controls				
Integrated Electronic Seat Rotation Lock	✓	✓	Manual	Manual
Integrated Seat Positioning Controls	✓	Requires optional foot control	✓	✓
Standard Foot Control	Optional	Optional	✓	Integrated
Standard Electrohydraulic System	Soft start / soft stop	Soft start / soft stop	✓	✓
Cantilever Lift System	✓	✓	✓	Vertical Lift
Safety Motion Stop	✓	✓	✓	✓
Styles & Materials				
Standard & Plush Upholstery Styles	✓	✓	✓	Non-Sling Only
Sling & Non-Sling Styles Available	✓	✓	✓	-
Swing & Side Mount Unit Configurations	✓	✓	✓	Side Mount Only
Cast Aluminum Base Plate	✓	✓	Steel	Steel
Warranty				
5-Year Chair Base Warranty (1-Year Upholstery Warranty)	✓	✓	✓	✓