

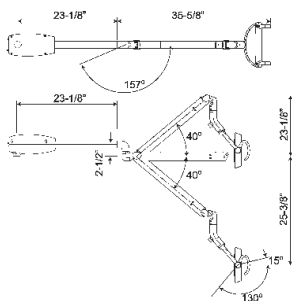
# Bel-Halo

## Dental Light Specifications

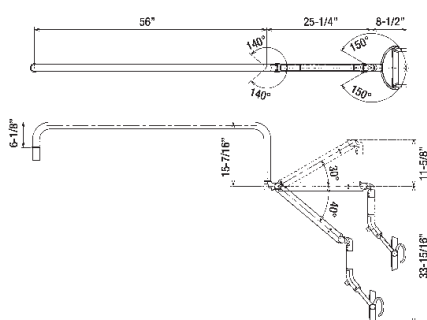
- **Number of LEDs in Light Array:** 10
- **Active LEDs (Treatment Mode):** 8
- **Active LEDs (Composite Safe Mode):** 2
- **LED Color Rendering Index (Ra):** >90
- **High Intensity:** 39,000 Lx (3,623 Fc)
- **Minimum Intensity:** 5,500 Lx (511 Fc)
- **Composite Safe Mode:** 7,500 Lx (697 Fc)
- **Color Temperature:** 5,000°K (Treatment Mode High & Minimum Intensity); 2,800°K (Composite Safe Mode)
- **Focal Length:** 25-19/32"
- **Light Pattern:** 3-15/16" x 6-11/16"
- **Light Pattern Shape:** Rectangular
- **Light Head Type:** 3-Axis Rotation
- **Light & Composite Safe Mode Controls:** Touchless Sensor and Manual Switches
- **Illuminance Intensity Adjustment:** Stepless Rotation Knob with Composite Safe Mode Blinking Indicator
- **Light Options:** Suspension Post Lengths for Ceiling & Track Lights to accommodate operatories with 8, 8-½, 9, 9-½, or 10FT ceilings; Rotating Patient Mirror



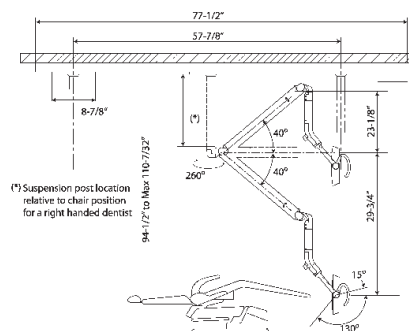
**Bel-Halo Unit Mount Light: Models AL991 & AL991R**



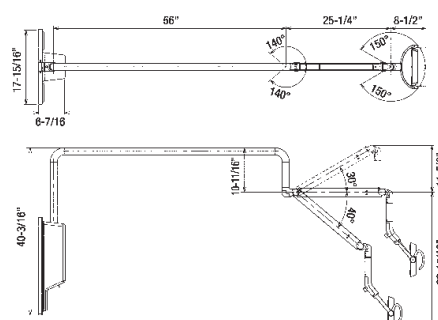
**Bel-Halo Cabinet Mount Light: Model AL997**



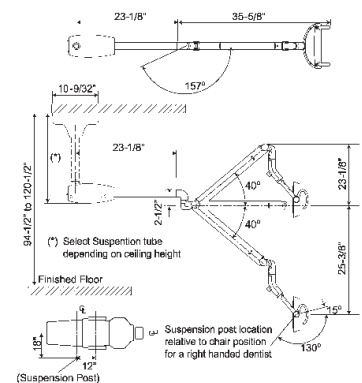
**Bel-Halo Track Mount Light: Model AL995**



**Bel-Halo Wall Mount Light: Model AL998**



**Bel-Halo Ceiling Mount Light: Model AL992**



Features & Performance	Bel-Halo	Bel-Nova	Clesta LED
Number of LEDs in Light Array	10	6	5
Light Pattern Shape	Rectangle	Oval	Rectangle
3-Axis Rotation Light Head	✓	✓	✓
Shadowless Illumination	✓	✓	✓
Correct Color	✓	✓	✓
Detachable Light Cover	-	✓	-
Rotating Patient Mirror	Option	Option	-
System & Controls			
Touchless Sensor for On/Off Activation	✓	✓	✓
Stepless Brightness Control	✓	✓	✓
Composite Safe Mode	✓	✓	✓
Blinking Composite Safe Mode Indicator Ring	✓	-	-
Manual Sensor On/Off Switch	✓	✓	✓
Styles & Materials			
LED Light Bulbs	✓	✓	✓
Mounting Options	Straight Post Mounted, Curved Post Mounted (For PMU), Swing Mounted, Ceiling Mounted, Track Mounted, Cabinet Mounted, Wall Mounted	Straight Post Mounted, Curved Post Mounted (For PMU), Swing Mounted, Ceiling Mounted, Track Mounted, Cabinet Mounted, Wall Mounted	Straight Post Mounted, Curved Post Mounted (For PMU), Swing Mounted, Ceiling Mounted, Track Mounted
Warranty			
5-Year Warranty	✓	✓	✓