

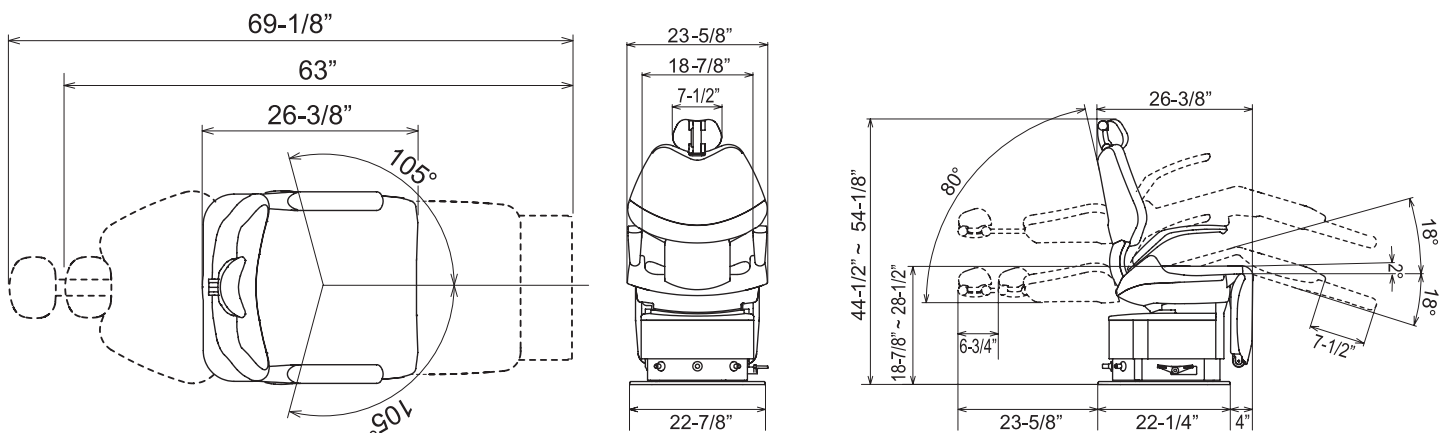
Pro III

Dental Chair Specifications

- **Lift System:** Non-Cantilever Type Vertical Lift
- **Electrohydraulic System:** Standard
- **Power Rating:** AC 120V/60HZ 3.8A
- **Dual Articulating Headrest:** Pushbutton Release Mechanism
- **Headrest Extension/Retraction:** Pushbutton Release Mechanism
- **Armrest Rotation:** Rotate Outward 180°
- **Seat Rotation:** 210° (105° right or left of chair centerline)
- **Seat Swivel Lock Mechanism:** Manual, Foot Pedal
- **Seat Positioning Controls:** Integrated Into Chair Base
- **Foot Control:** Integrated Into Chair Base
- **Safety Motion Stop:** Any Switch can Cancel Chair Motion
- **Upholstery Styles:** Wing Back (seamless)
- **Unit Mounting Type:** Side-Mounted Only
- **Base Plate:** Steel



Pro III Model 047 Dimensions



Comfort & Performance	Q5500	Q3300	B50N	PRO III
Dual Articulating Headrest	✓	✓	✓	✓
Rotating Armrests	✓	✓	✓	✓
Seat Rotation (Right and Left of Chair Centerline)	30°	30°	30°	105°
Programmable Preset Options	✓	✓	✓	✓
Folding Legrest	-	-	-	✓
Patient Weight Capacity	440 lbs.	440 lbs.	330 lbs.	298 lbs.
Chair Height Range (Lowest – Highest)	15-¾" Min. 31-½" Max.	15-¾" Min. 31-½" Max.	13-⅝" Min. 28-⅜" Max.	18-⅞" Min. 28-½" Max.
System & Controls				
Integrated Electronic Seat Rotation Lock	✓	✓	Manual	Manual
Integrated Seat Positioning Controls	✓	Requires optional foot control	✓	✓
Standard Foot Control	Optional	Optional	✓	Integrated
Standard Electrohydraulic System	Soft start / soft stop	Soft start / soft stop	✓	✓
Cantilever Lift System	✓	✓	✓	Vertical Lift
Safety Motion Stop	✓	✓	✓	✓
Styles & Materials				
Standard & Plush Upholstery Styles	✓	✓	✓	Non-Sling Only
Sling & Non-Sling Styles Available	✓	✓	✓	-
Swing & Side Mount Unit Configurations	✓	✓	✓	Side Mount Only
Cast Aluminum Base Plate	✓	✓	Steel	Steel
Warranty				
5-Year Chair Base Warranty (1-Year Upholstery Warranty)	✓	✓	✓	✓