

6 BELMONT STOODLS

090,090-U,090-V

090-16, 090-U-16, 090-V-16

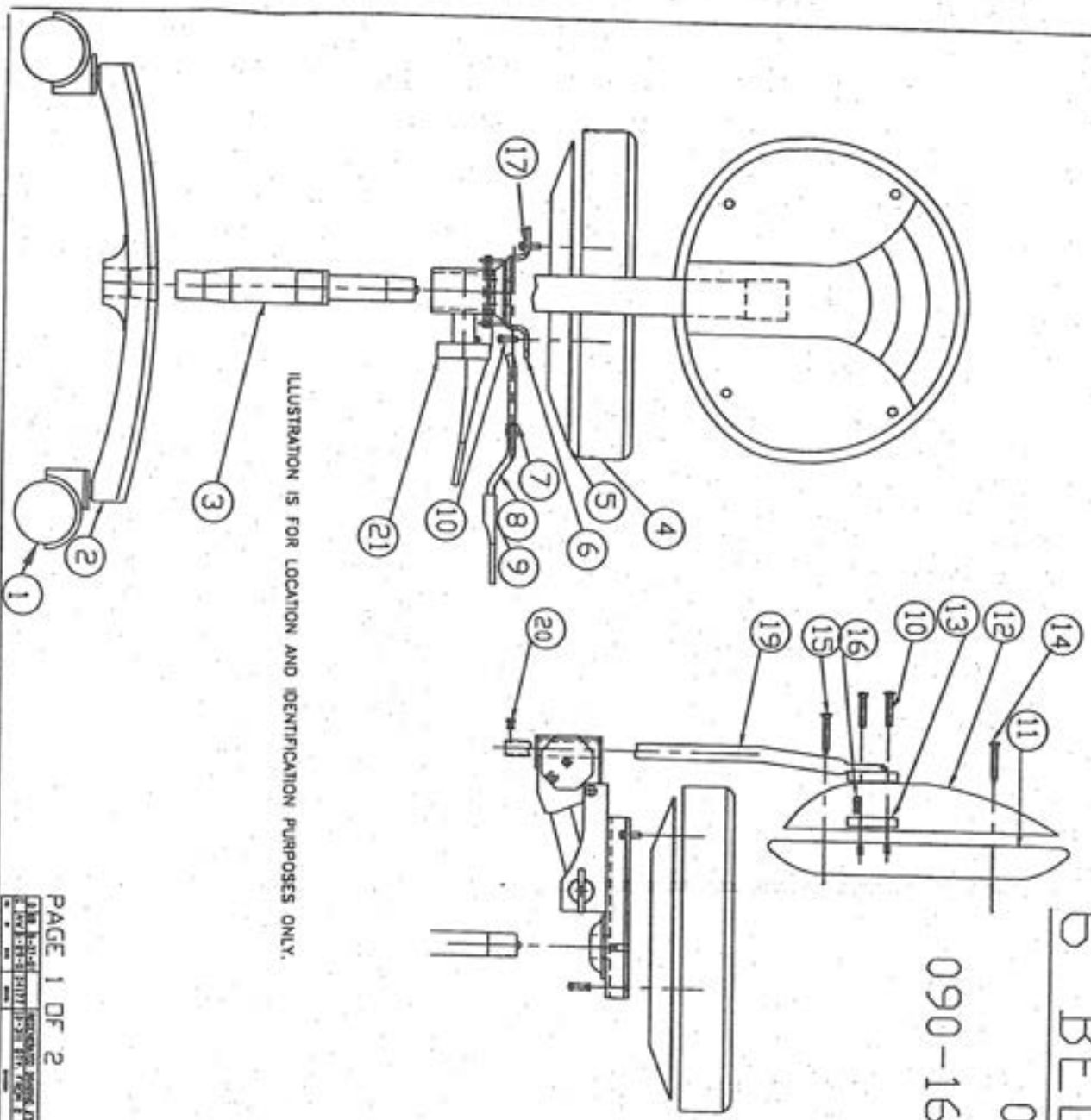
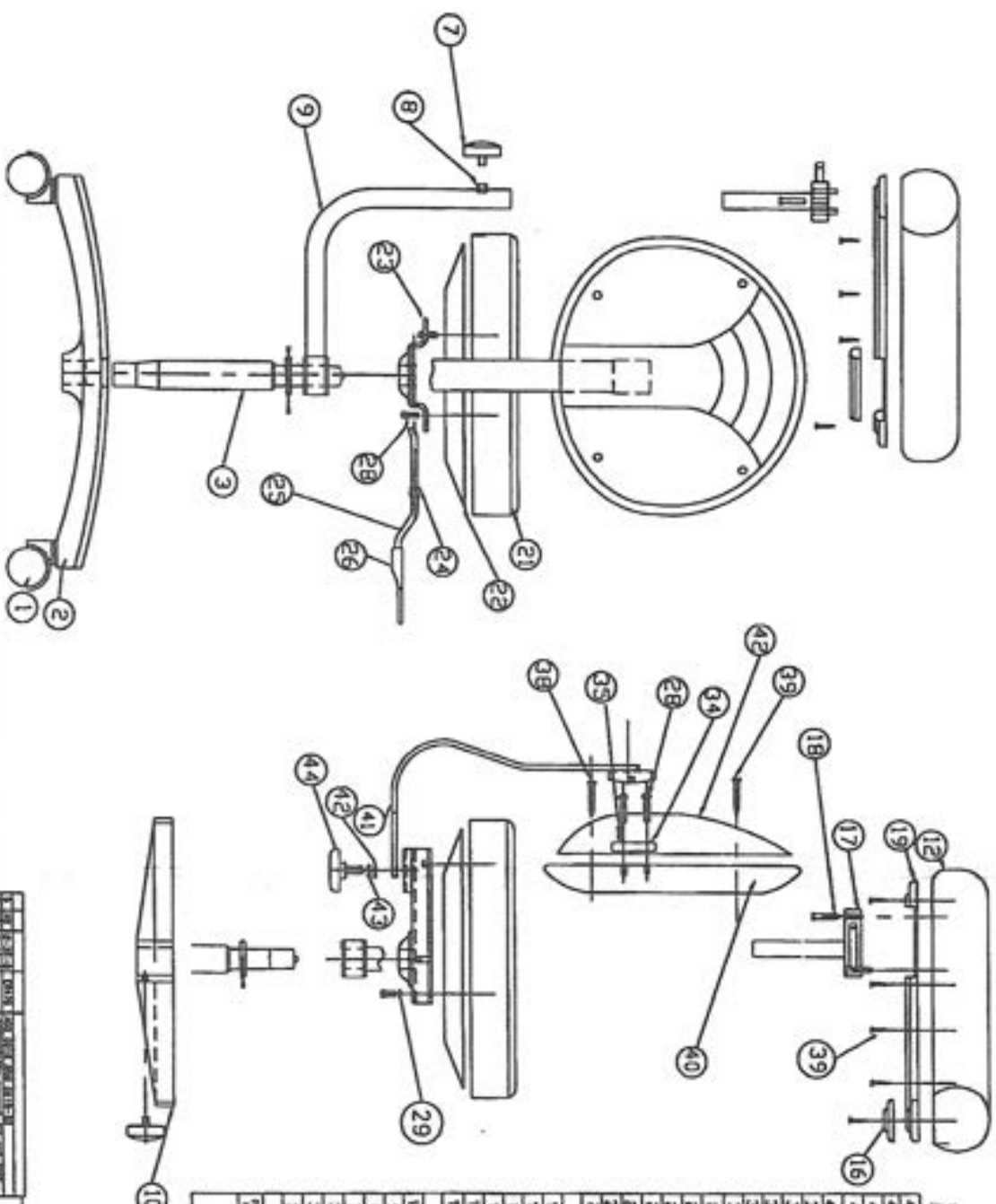


ILLUSTRATION IS FOR LOCATION AND IDENTIFICATION PURPOSES ONLY.

M/P/N = SUPPLIED AS COMPONENT OF PART NUMBER LISTED WITHOUT ASTERISK

21	PLATE KNOB	M97781	1	M97881	1
20	HARDWARE KIT	97657	1	97657	1
19	UPRIGHT, BR	50939	1	50939	1
17	FLAT WASHER	07618	2	07618	2
16	SPRING	10-310	1	10-310	1
15	SCREW, MACHINE	98014	2	98014	2
14	SCREW, WOOD	98015	2	98015	2
13	BACKREST HINGE	10-311	1	10-311	1
12	SHROUD, BACKREST	98013	1	98013	1
11	SERVICE PART UPL BRK #19808	98018	1	98018	1
10	MACHINE SCREW	07489	8	07489	8
9	ACTUATOR PADDL E	M97781	1	M97781	1
8	ACTUATOR LEVER	M97781	1	M97781	1
7	E-RING	M97781	1	M97781	1
6	CONTROL PLATE	97781	1	97781	1
5	SHROUD, SEAT	98012	1	98012	1
4	SERVICE PART UPL SEAT #19809	98017	1	98017	1
3	CYLINDER, W/COLUMN	08994	1	98126	1
2	BASE	98011	1	98011	1
1	CASTER	10-044	5	10-044	5
ITEM NO	BOM ITEM DESCRIPTION	PART#	QTY	PART#	QTY
NO	DOCTOR STOOL	090-(U/V)	090-(U/V)-16		
MODEL NUMBER					

ALL BELMONT ASST'S STOOLS: 091, 091-22, 091R, AND 019R-22



*P/N = SUPPLIED AS COMPONENT OF PART NUMBER LISTED WITHOUT ASTERISK

NO	DESCRIPTION	P/N	QTY	091-22	091R	019R-22
				QTY	QTY	QTY
44	KNOB	*98010	1	1	1	1
43	WASHER	*98010	1	1	1	1
42	BACKREST SHROUD	98013	1	1	1	1
41	LEP/LIGHT BR	09328	1	1	1	1
40	SPRNG MCH. BR. NO. #2008	98018	1	1	1	1
39	MACHINE SCREW	98015	7	7	7	7
38	MACHINE SCREW	98014	2	2	2	2
35	SPRING, BR HINGE	10-315	1	1	1	1
34	PACKET, BR HINGE	10-311	1	1	1	1
29	FLAT WASHER	07618	4	4	4	4
28	MACHINE SCREW	07489	8	0	8	8
25	ACTUATOR PAD/LE	*98010	1	1	1	1
24	ACTUATOR LEVER	*98010	1	1	1	1
23	E-RING	*98010	1	1	1	1
22	CONTROL PLATE	98010	1	1	1	1
21	SEAT SHROUD	98012	1	1	1	1
20	BOX MCH. BR. SRT #2008	98029	1	1	1	1
19	SHROUD	97661	1	1	1	1
18	MACHINE SCREW	97633	3	3	3	3
17	PATCHET, LH	97688	1	1	1	1
16	PATCHET, RH	97693	1	1	1	1
15	SHROUD INSERT	97661-1	1	1	1	1
14	BOX MCH. BR. BR SRT #2008	98019	1	1	1	1
10	FOOTRING	97672	1	1	1	1
9	SWINGARM ASSY	97682	1	1	1	1
8	KEY NUT	750094	1	1	1	1
7	KNOB	09083	1	1	1	1
3	CYLINDER, V/COLUMN	52945	1	1	1	1
2	BASE	98011	1	1	1	1
1	CASTER	10-044	5	5	5	5

MODEL NUMBER: 091, 091-22, 091R, 019R-22
 QTY: 5
 DATE: 01/09/10
 BY: [Signature]
 APPROVED BY: [Signature]
 PART NUMBER: 98010