

DENTAL LIGHT

Bel-Halo

Type
901 Pole Mount
902 Ceiling Mount
905 Track Mount
907 Cabinet Mount
908 Wall Mount
920 Unit Mount

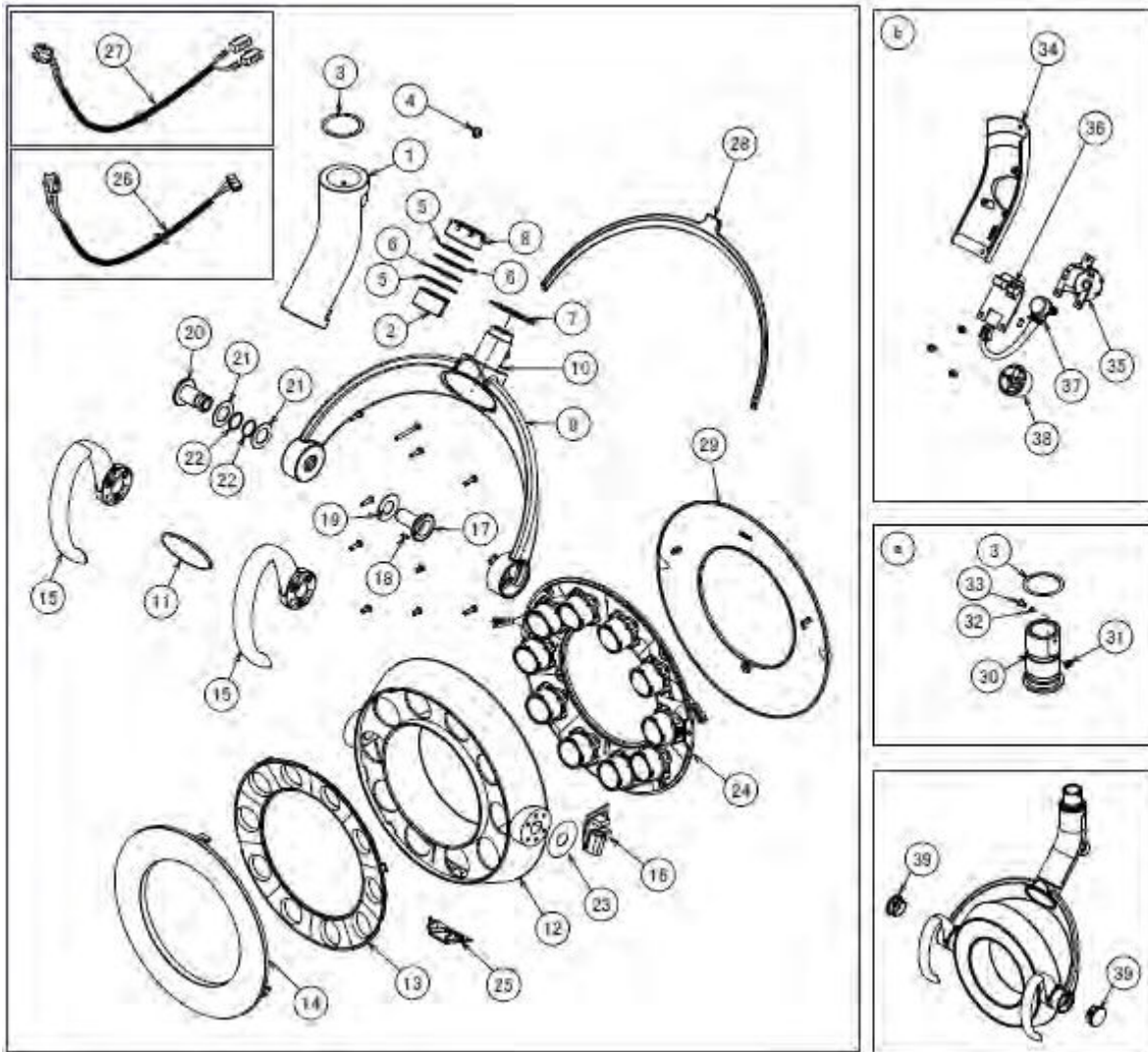
PARTS LIST



TABLE OF CONTENTS

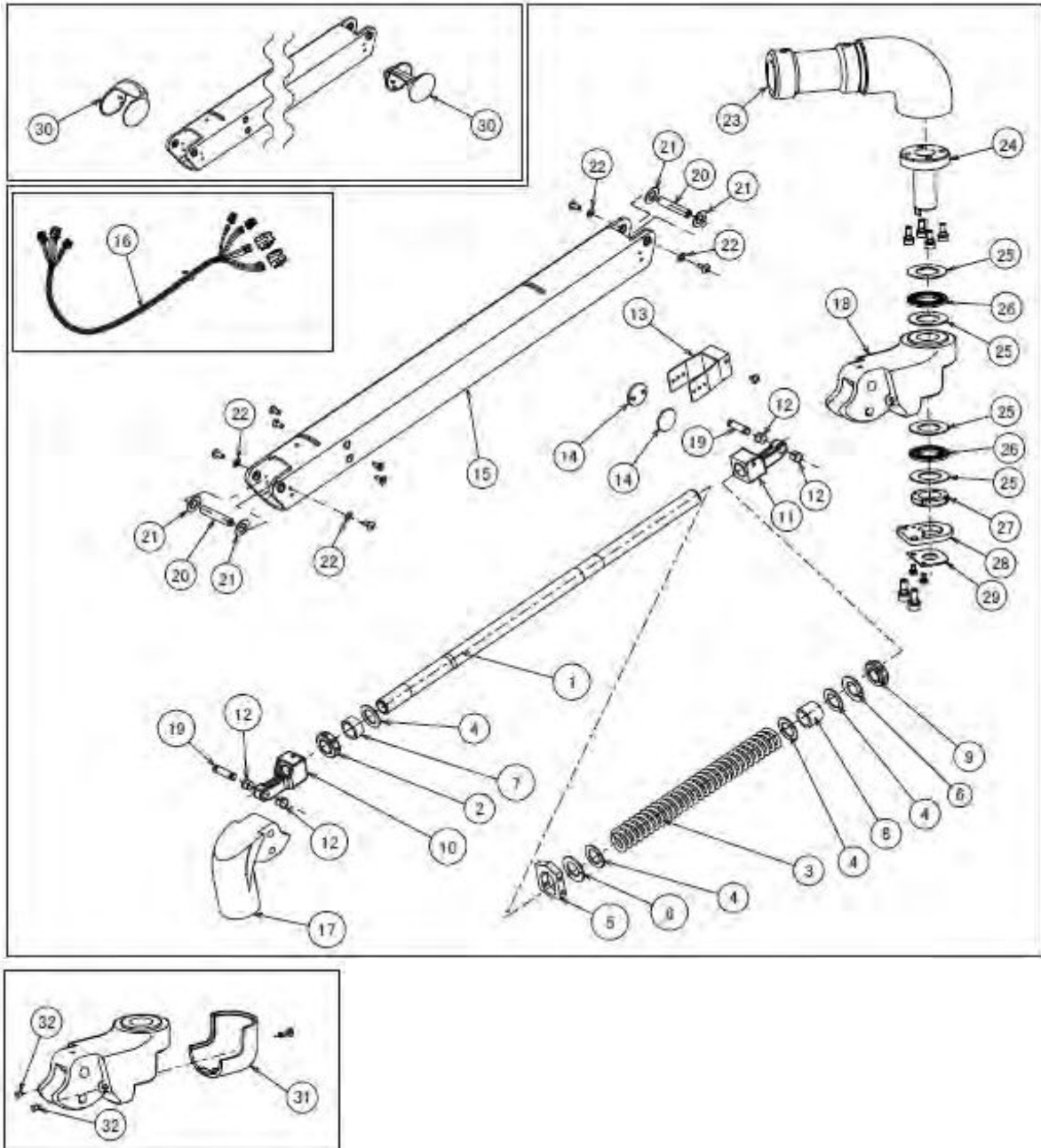
	PAGE
1 . HEAD SECTION -----	1
2 . ARM SECTION (901, 902) -----	3
3 . ARM SECTION (905)-----	5
4 . ARM SECTION (907) -----	7
5 . ARM SECTION (908) -----	9
6 . ARM SECTION (920X) -----	11
7 . ARM SECTION (920Q) -----	13
8 . TRANSFORMER BOX SECTION (901) -----	15
9 . TRANSFORMER BOX SECTION (902) -----	17
10 . TRANSFORMER BOX SECTION (905) -----	19
11 . TRANSFORMER BOX SECTION (907) -----	21
12 . TRANSFORMER BOX SECTION (908) -----	23
13 . TRANSFORMER BOX SECTION (920Q) -----	25
14 . TRANSFORMER BOX SECTION (920X) -----	27
15 . TROLLEY AND RAIL SECTION (905) -----	29
16 . CEILING POLE SECTION (902) -----	31
17 . SENSOR CONTROL PCB BOX (920) -----	33
18 . TOGGLE SW BOX (920) -----	35

1. HEAD SECTION



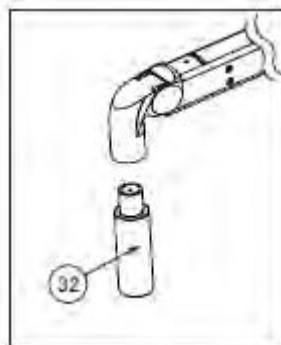
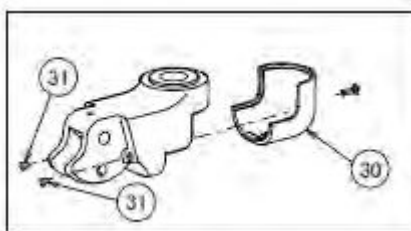
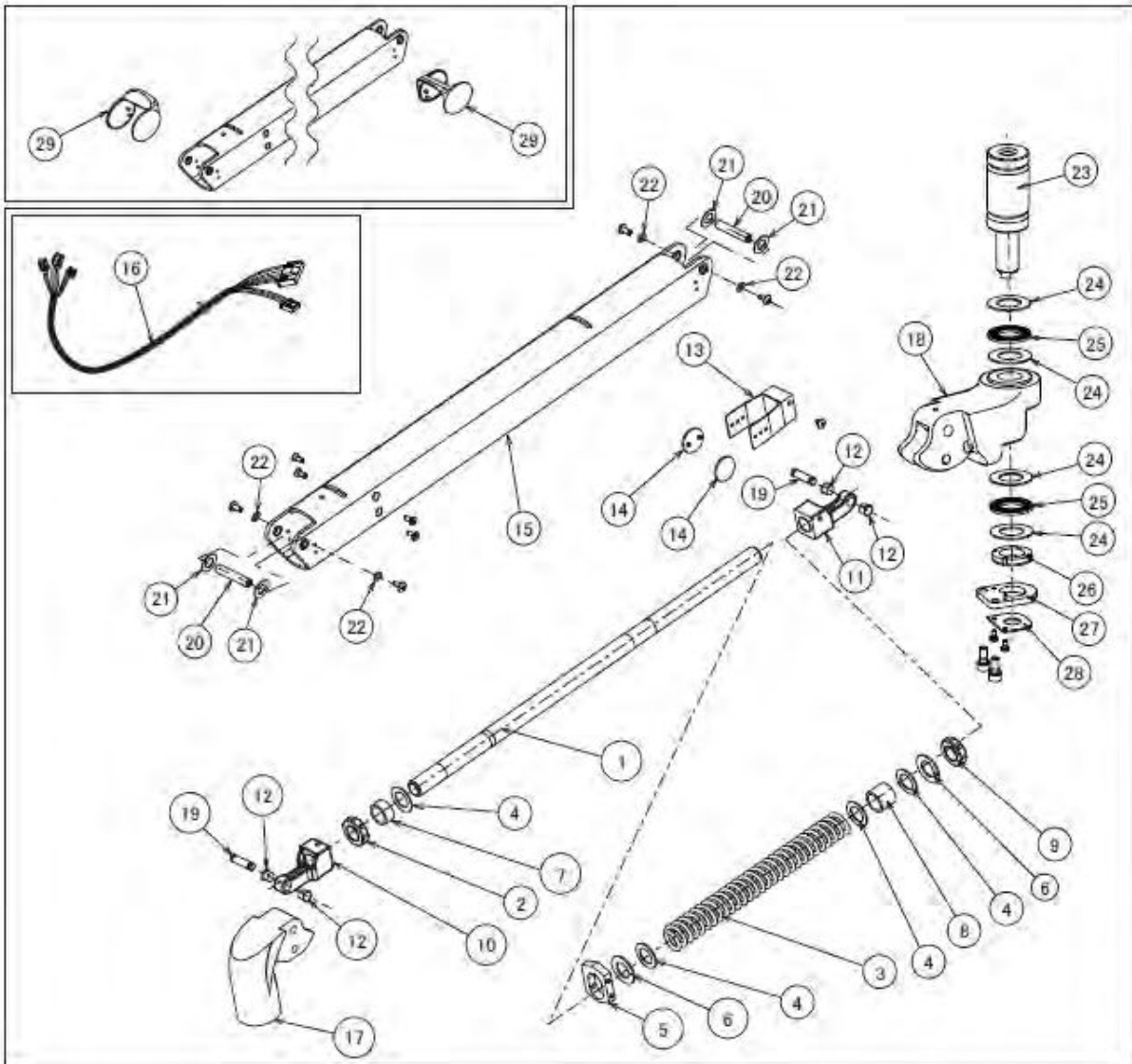
ID No.	MF ID	Parts No.	Description	QTY
1	G06	1A07JDA0	Yoke (CN-80)	1
	G06	1A081JA0	Yoke (RAL9003)	1
2	G06	EEMU99B0	Bush 80B-2415	1
3	G06	CAHC53A0	Slide Washer 35*29*0.25	1
4	G06	CAGP69A0	Yoke stop screw (NDP)	1
5	G06	1A07JUA0	Yoke Rotation Slide Washer	2
6	G06	CENX96A0	Wave Washer WW-23	2
7	G06	1A07K0A0	Pattern rotation plate	1
8	G06	1A07JTA0	Pattern rotation nut	1
9	G06	1A07JEA0	Second Yoke (CN-80)	1
	G06	1A081KA0	Second Yoke (RAL9003)	1
10	G06	ZG081LTG	Roll pin 4.0*14, black	1
11	G06	1A0829A0	Belmont label	1
12	G06	1A07JFA0	Outer flame (CN-80)	1
	G06	1A081LA0	Outer flame(RAL9003)	1
13	G06	1A07JJA0	Reflector	1
14	G06	1A07JHB0	Lens cover	1
15	G06	1A07L6A0	Handle (CN-80)	2
16	G06	1G027TA0	Sensor PCB ASSY	1
17	G06	1A07JRA0	Head rotation shaft (fixed)	1
18	G06	CEFN35A0	Role pin ϕ 2.5*6	1
19	G06	1A07JVA0	Slide Washer for head rotation shaft	1
20	G06	1A07JSA0	Head rotation Yoke Shaft(adjustment)	1
21	G06	CAHC89A0	Washer 24*14.2*0.5	2
22	G06	CEIA10A0	Wave washer WW-14	2
23	G06	1A07JYA0	Head slide washer	1
24	G06	1G027UA0	LED module (completed article)	1
25	G06	1A07JWA0	Sensor cover	1
26	G06	1A07MBA0	Sensor PCB trunk line	1
27	G06	1A07MAA0	LED module trunk line (Head side)	1
28	G06	1A07JQA0	Yoke packing (CN-80)	1
29	G06	1A07JKA0	Outer flame cover (CN-80)	1
	G06	1A081NA0	Outer flame cover (RAL9003)	1
a	G06	CGGN66A0	Yoke shaft set (NDP)	1
30	G06	CAGP68A0	Yoke shaft (NDP)	1
31	G06	ZA812JAY	Hexagon nut M3 trivalent chromate	1
32	G06	ZB552JAY	External tooth washer M3 trivalent chromate	1
33	G06	ZA111JLY	Pan head screw (small) M3*5 trivalent chromate	1
b	G06	1G027VA0	Yoke cover ASSY (CN-80)	1
	G06	1G02E1A0	Yoke cover ASSY (RAL9003)	1
34	G06	1A07JLA0	Yoke cover (CN-80)	1
	G06	1A081MA0	Yoke cover (RAL9003)	1
35	G06	1A07JMA0	LED display cover	1
36	G06	1G027ZA0	LED display PCB (DL-900)	1
37	G06	1A07M9A0	Volume part of intensity control	1
38	G06	1A07JNA0	Volume grip (CN-80)	1
39	G06	1A07JPA0	Yoke cap (CN-80)	2

2. ARM SECTION (901, 902)



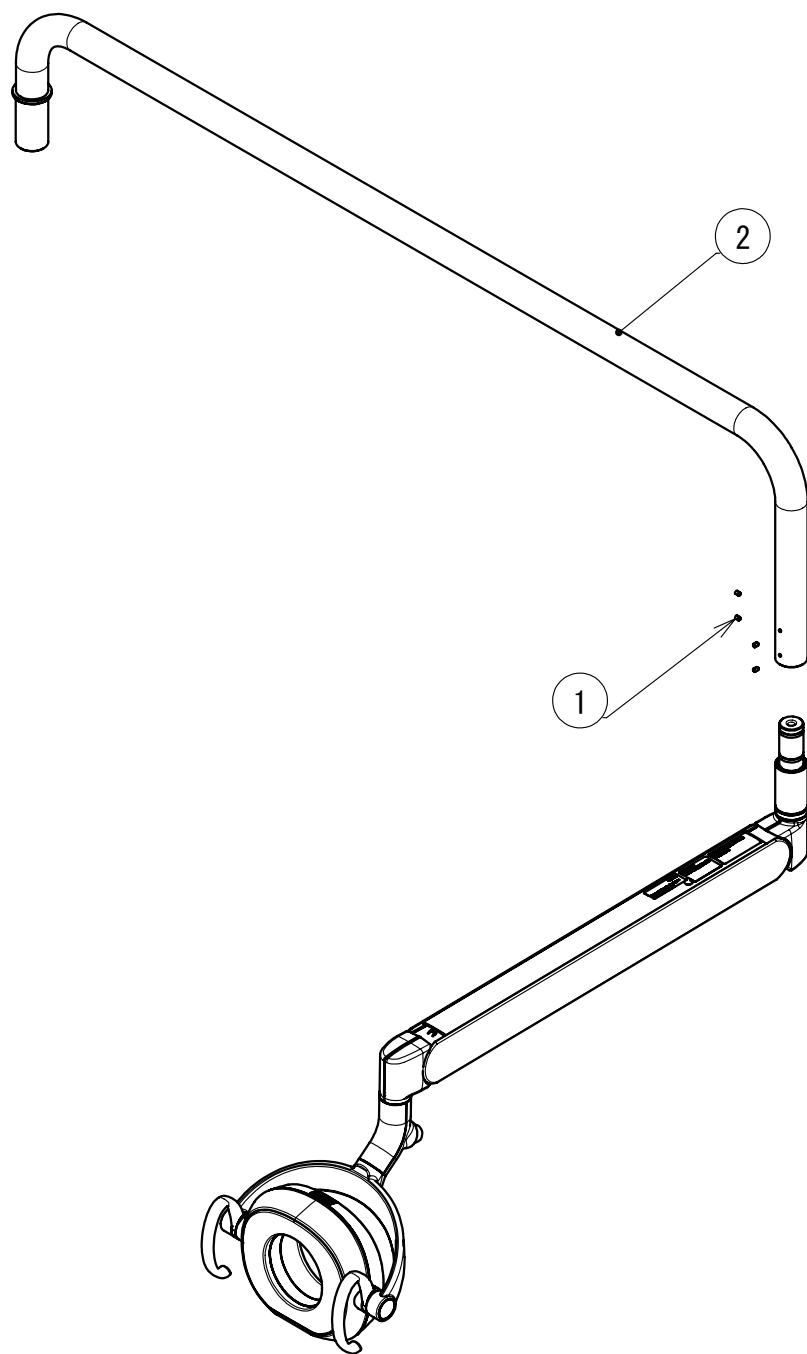
ID No.	MF ID	Parts No.	Description	QTY
1	G06	CARA07B0	Spring Rod N	1
2	G06	CAMJ32A0	Arm nut (NDL)	1
3	G06	CAHC93A0	Arm spring ϕ 3.8 (NDL)	1
4	G06	CAMF11A0	Washer 28*16.8*1.2	4
5	G06	CARA10C0	Spring Block	1
6	G06	CERA01A0	Washer 30*17*15	2
7	G06	CARA09B0	Arm pipe C PVC	1
8	G06	1A07PXA0	Arm pipe L for DL-900	1
9	G06	CAMJ31A0	Spring nut (NDL)	1
10	G06	CARA13A1	Yoke adjusting Joint (coated)	1
11	G06	CARA14A0	Arm adjusting Joint	1
12	G06	CERA02C0	Flanged DU bush K5F0705-13	4
13	G06	CAQO30B0	Brake Spring	1
14	G06	CARN03B0	Brake Shoe	2
15	G06	CARA00B1	Balance arm N (coated)	1
16	G06	1A087KA0	Light cable in arm (AL-901/902)	1
17	G06	CADQ56A0	Yoke joint N CN-80	1
18	G06	1A07K1B0	Balance arm joint N (RAL9003)	1
19	G06	CARA04B0	Link pin	2
20	G06	CARA03B0	Rotation pin for 520	2
21	G06	CANF62A0	Slide washer 9.1*4*0.25	4
22	G06	CAHC27A0	White fibber washer 14*8.5*0.8	4
23	G06	1A07K2A0	Pole joint (CN-80)	1
24	G06	1A07KBB0	Sliding joint	1
25	G06	1E02E4A0	Thrust Washer AS-1103	4
26	G06	1E02E6A0	Needle bearing AXK-1103	2
27	G06	1E02E5A0	Fine U nut M17 P=1	1
28	G06	1A07K9C0	Arm rotation control plate	1
29	G06	1A07KAB0	Lead wire control plate	1
30	G06	CARA01A0	Rotation part cover	2
31	G06	1A07K8A0	Joint cover (CN-80)	1
32	G06	CAMP65A0	Large stopper (OP) 6 nylon	2

3. ARM SECTION (905)



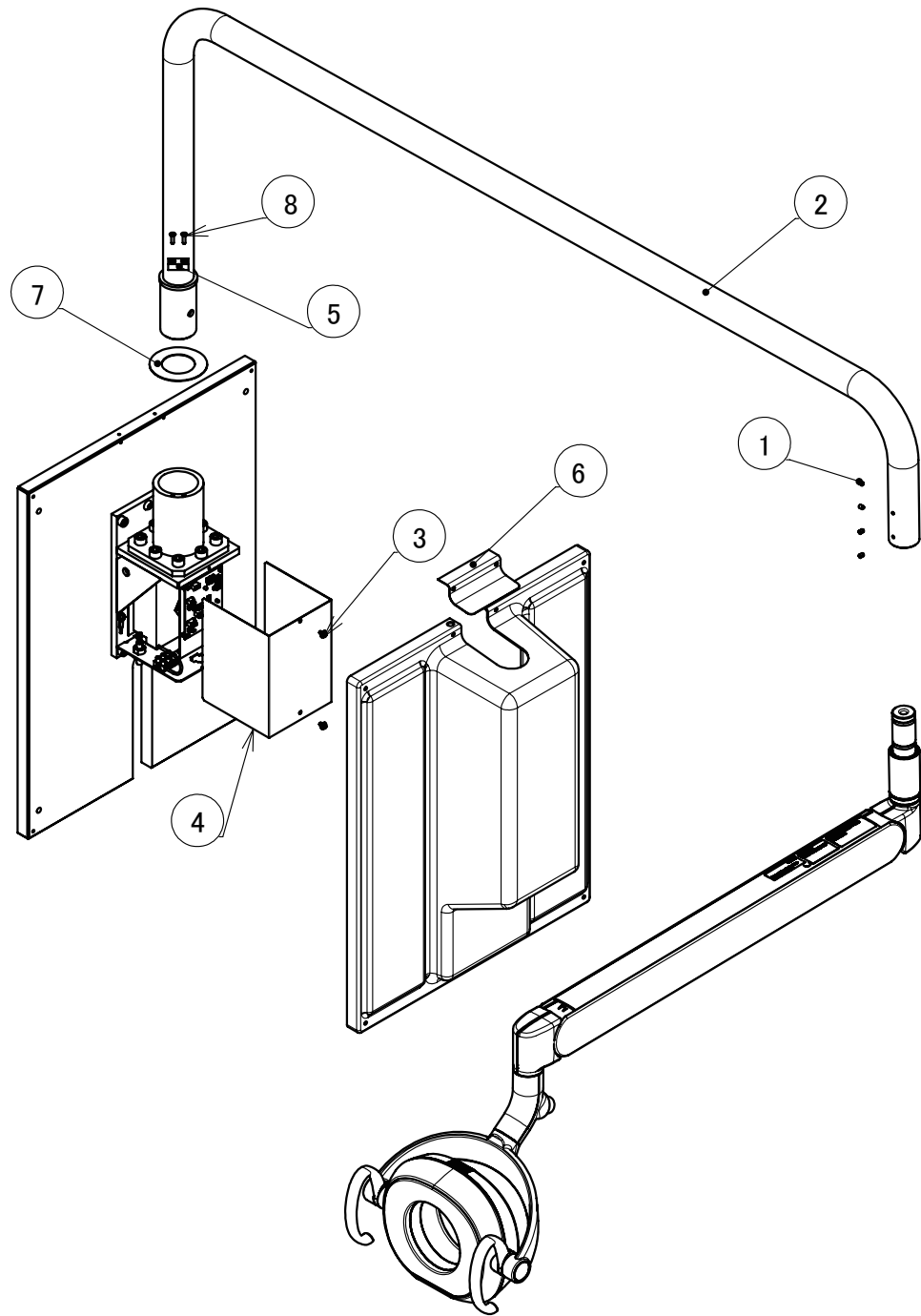
ID No.	MF ID	Parts No.	Description	QTY
1	G06	CARA07B0	Spring Rod N	1
2	G06	CAMJ32A0	Arm nut (NDL)	1
3	G06	CAHC93A0	Arm spring ϕ 3.8 (NDL)	1
4	G06	CAMF11A0	Washer 28*16.8*1.2	4
5	G06	CARA10C0	Spring Block	1
6	G06	CERA01A0	Washer 30*17*15	2
7	G06	CARA09B0	Arm pipe C PVC	1
8	G06	CARA08A0	Arm pipe L for 520	1
9	G06	CAMJ31A0	Spring nut (NDL)	1
10	G06	CARA13A1	Yoke adjusting Joint (coated)	1
11	G06	CARA14A1	Arm adjusting Joint	1
12	G06	CERA02C0	Flanged DU bush K5F0705-13	4
13	G06	CAQO30B0	Brake Spring	1
14	G06	CARN03B0	Brake Shoe	2
15	G06	CARA00A1	Balance arm N (coated)	1
16	G06	1A087SA0	Light cable in arm (AL-905)	1
17	G06	CADQ56A0	Yoke joint N CN-80	1
18	G06	1A07K1B0	Balance arm joint (CN-80)	1
19	G06	CARA04B0	Link pin	2
20	G06	CARA03B0	Rotation pin for 520	2
21	G06	CAHC27A0	White fibber washer 14*8.5*0.8	4
22	G06	CANF62A0	Slide washer 9.1*4*0.25	4
23	G06	1A07NLB0	Sliding shaft for track light	1
24	G06	1E02E4A0	Thrust Washer AS-1103	4
25	G06	1E02E6A0	Needle bearing AXK-1103	2
26	G06	1E02E5A0	Fine U nut M17 P=1	1
27	G06	1A07NKB0	Arm rotation control plate	1
28	G06	1A07KAB0	Lead wire control plate	1
29	G06	CARA01A0	Rotation part cover	2
30	G06	1A07K8A0	Joint cover (CN-80)	1
31	G06	CAMP65A0	Large stopper (6 nylon)	2
32	G06	1A084SA0	Extension (AL-905)	1

4. ARM SECTION (907)



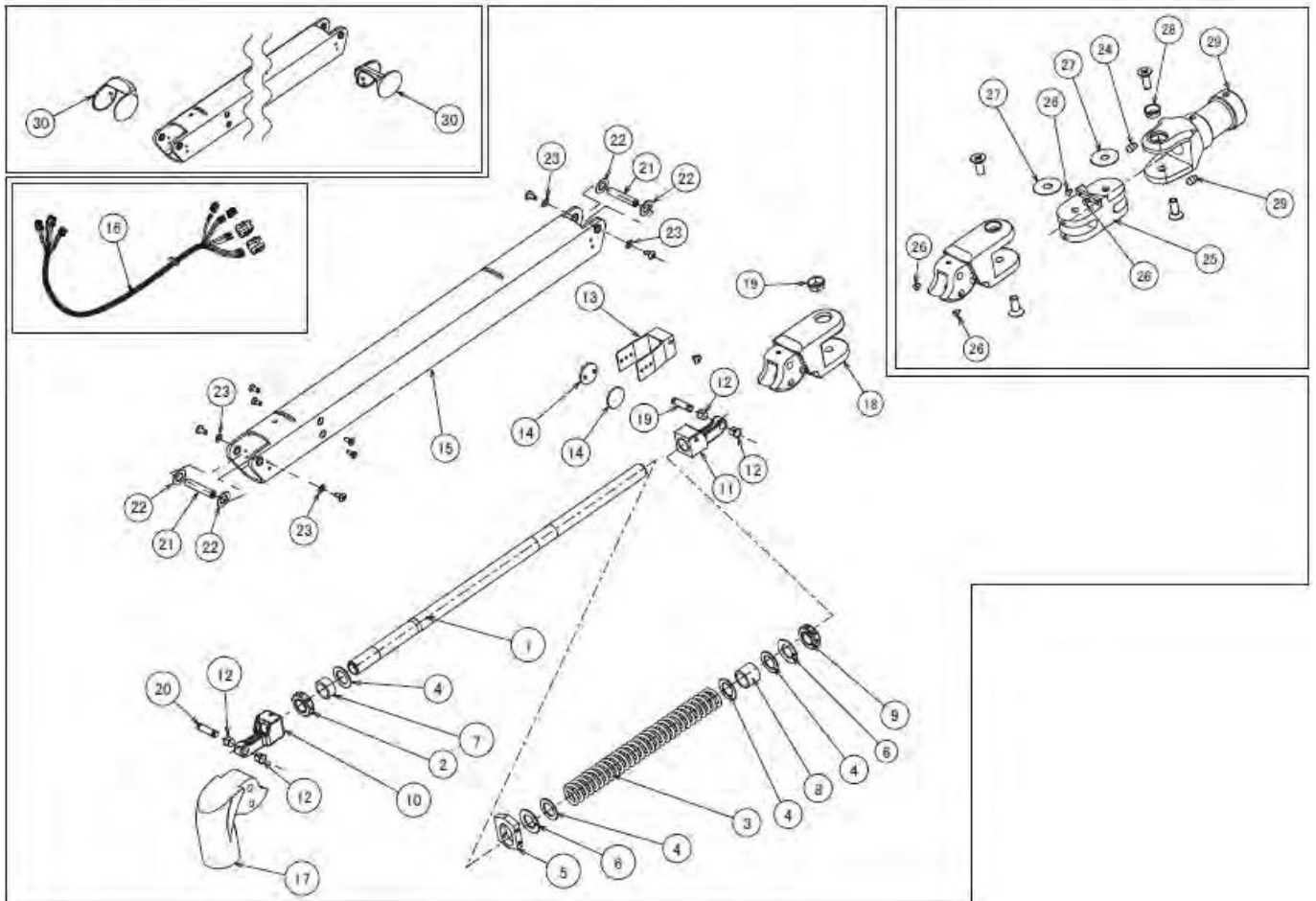
ID No.	MF ID	Parts No.	Description	QTY
1	G06	ZA772NPY	Hex Socket Set Screw M5x8 Chrome	4
2	G06	1A0AH6A0	Light Pole CN80	1

5. ARM SECTION (908)



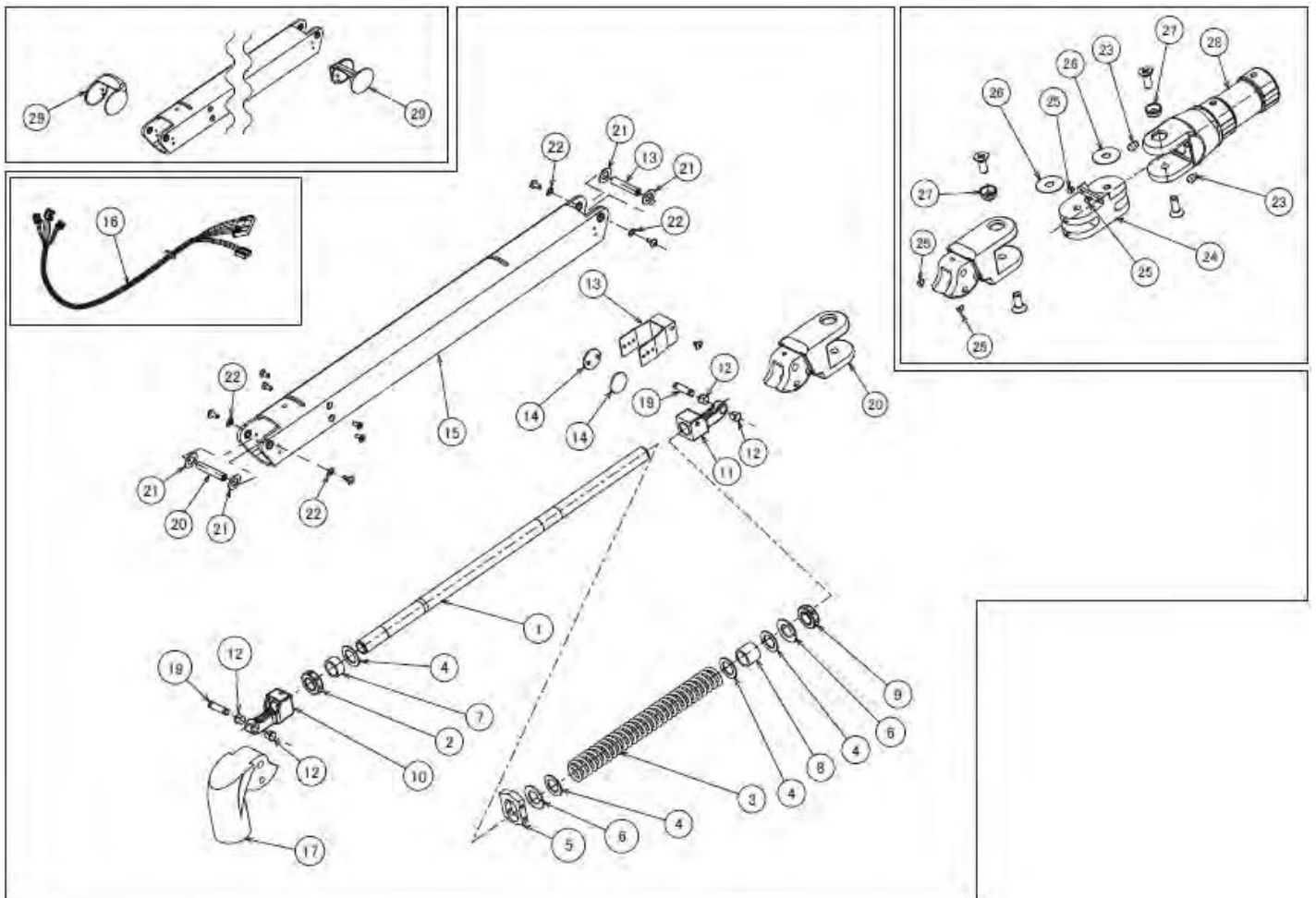
ID No.	MF ID	Parts No.	Description	QTY
1	G06	ZA772NPY	Hex Socket Set Screw M5x8 Chrome	4
2	G06	1A0ALVA0	Light Pole CN80	1
3	G06	ZA88JLPY	Pan Head Sems Screw 3P M4x8 Chrome	2
4	G06	CATP03B0	Cover For Bracket	1
5	G06	CATP04A0	Retainer Metal	1
6	G06	1A0ALZA0	Front Top Cover	1
7	G06	CATN92A0	Pole Disk	1
8	G06	ZA112L#U	Flat Head Screw M4x15 SUS	2

6. ARM SECTION (920X)



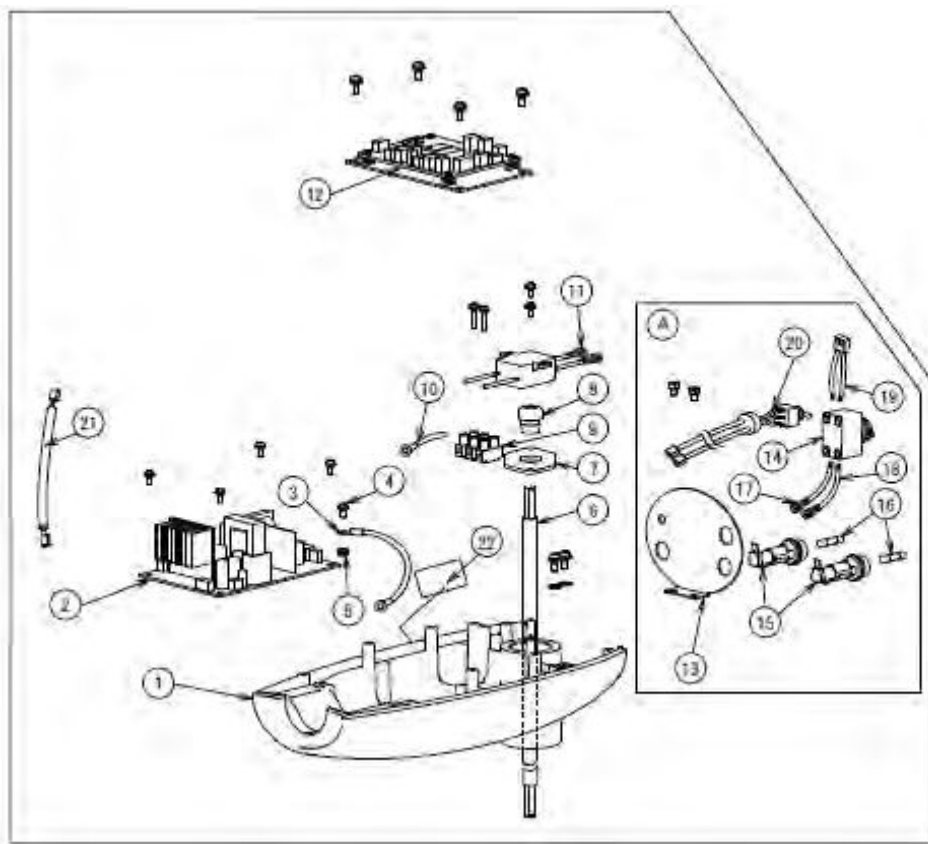
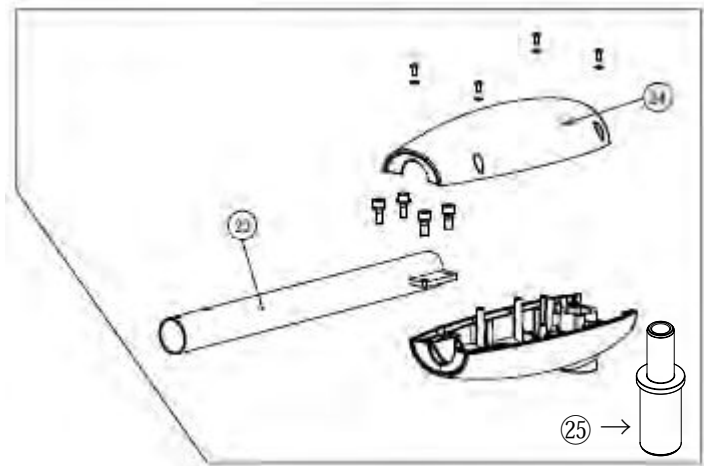
ID No.	MF ID	Parts No.	Description	QTY
1	G06	CARA07B0	Spring Rod N	1
2	G06	CAMJ32A0	Arm nut (NDL)	1
3	G06	CAHC93A0	Arm spring ϕ 3.8 (NDL)	1
4	G06	CAMF11A0	Washer 28*16.8*1.2	4
5	G06	CARA10C0	Spring Block	1
6	G06	CERA01A0	Washer 30*17*15	2
7	G06	CARA09B0	Arm pipe C PVC	1
8	G06	1A07PXA0	Arm pipe L for DL-900	1
9	G06	CAMJ31A0	Spring nut (NDL)	1
10	G06	CARA13BR	Yoke adjusting Joint (coated)	1
11	G06	CARA14A0	Arm adjusting Joint	1
12	G06	CERA02C0	Flanged DU bush K5F0705-13	4
13	G06	CAQO30B0	Brake Spring	1
14	G06	CARN03B0	Brake Shoe	2
15	G06	CARA00BR	Balance arm N (coated)	1
16	G06	1A089TB0	Light cable in arm (AL-920X)	1
17	G06	CADQ56AR	Yoke joint N RAL9003	1
18	G06	CARA16BR	Balance arm joint N (coated)	1
19	G06	CAJA05A0	Yoke joint bush	1
20	G06	CARA04B0	Link pin	2
21	G06	CARA03B0	Rotation pin for 520	2
22	G06	CAHC27A0	White fibber washer 14*8.5*0.8	4
23	G06	CANF62A0	Slide washer 9.1*4*0.25	4
24	G06	CATP10A0	Stopper RL L=7.5 6 nylon	2
25	G06	CATN39AR	Arm joint (AL-520) (coated)	1
26	G06	CAMP65A0	Large stopper (6 nylon)	4
27	G06	CAMF12A0	Gunmetal washer 32*8.5*0.3	2
28	G06	CAJA05A0	Yoke joint bush	1
29	G06	CATN41BR	VGR pole for Balance arm	1
30	G06	CARA01A0	Rotation part cover	2

7. ARM SECTION (920Q)



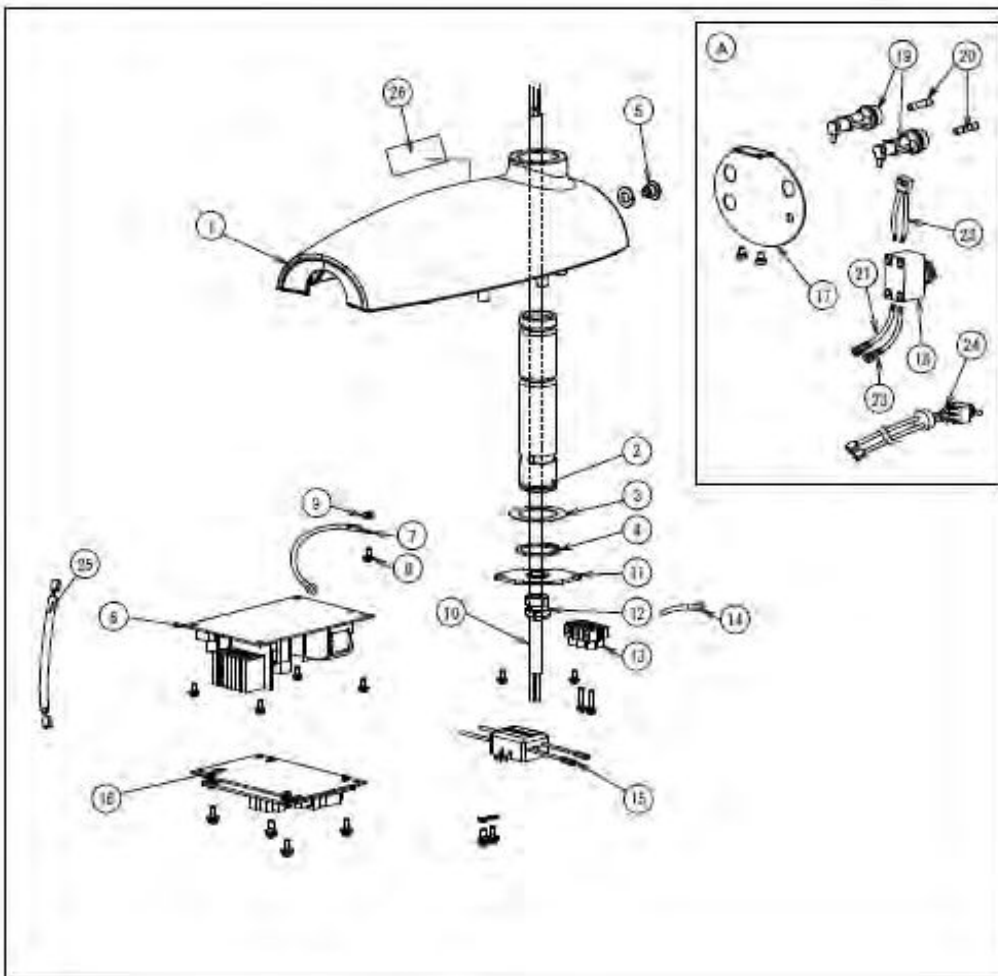
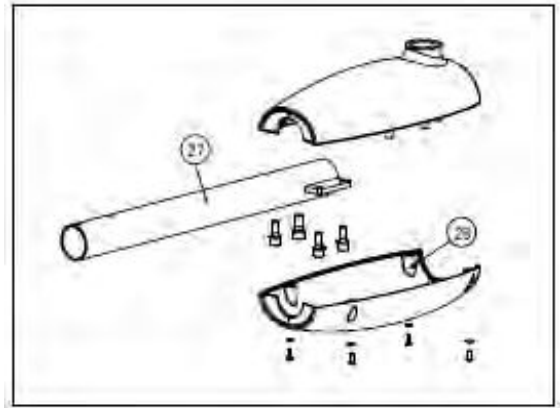
ID No.	MF ID	Parts No.	Description	QTY
1	G06	CARA07B0	Spring Rod N	1
2	G06	CAMJ32A0	Arm nut (NDL)	1
3	G06	CAHC93A0	Arm spring ϕ 3.8 (NDL)	1
4	G06	CAMF11A0	Washer 28*16.8*1.2	4
5	G06	CARA10C0	Spring Block	1
6	G06	CERA01A0	Washer 30*17*15	2
7	G06	CARA09B0	Arm pipe C PVC	1
8	G06	1A07PXA0	Arm pipe L for DL-900	1
9	G06	CAMJ31A0	Spring nut (NDL)	1
10	G06	CARA13A1	Yoke adjusting Joint (coated)	1
11	G06	CARA14A1	Arm adjusting Joint	1
12	G06	CERA02C0	Flanged DU bush K5F0705-13	4
13	G06	CAQO30B0	Brake Spring	1
14	G06	CARN03B0	Brake Shoe	2
15	G06	CARA00A1	Balance arm N (coated)	1
16	G06	1A086VA0	Light cable in arm (AL-920Q)	1
17	G06	CADQ56A0	Yoke joint N CN-80	1
18	G06	CARA16A1	Balance arm joint N	1
19	G06	CARA04B0	Link pin	2
20	G06	CARA03B0	Rotation pin for 520	2
21	G06	CAHC27A0	White fibber washer 14*8.5*0.8	4
22	G06	CANF62A0	Slide washer 9.1*4*0.25	4
23	G06	CATP10A0	Stopper RL L=7.5 6 nylon	2
24	G06	CATN39AR	Arm joint (AL-520) (coated)	1
25	G06	CAMP65A0	Large stopper (6 nylon)	4
26	G06	CAMF12A0	Gunmetal washer 32*8.5*0.3	2
27	G06	CAJA05A0	Yoke joint bush	2
28	G06	CAGP71A1	Pole joint (NDP)	1

8. TRANSFORMER BOX SECTION (901)



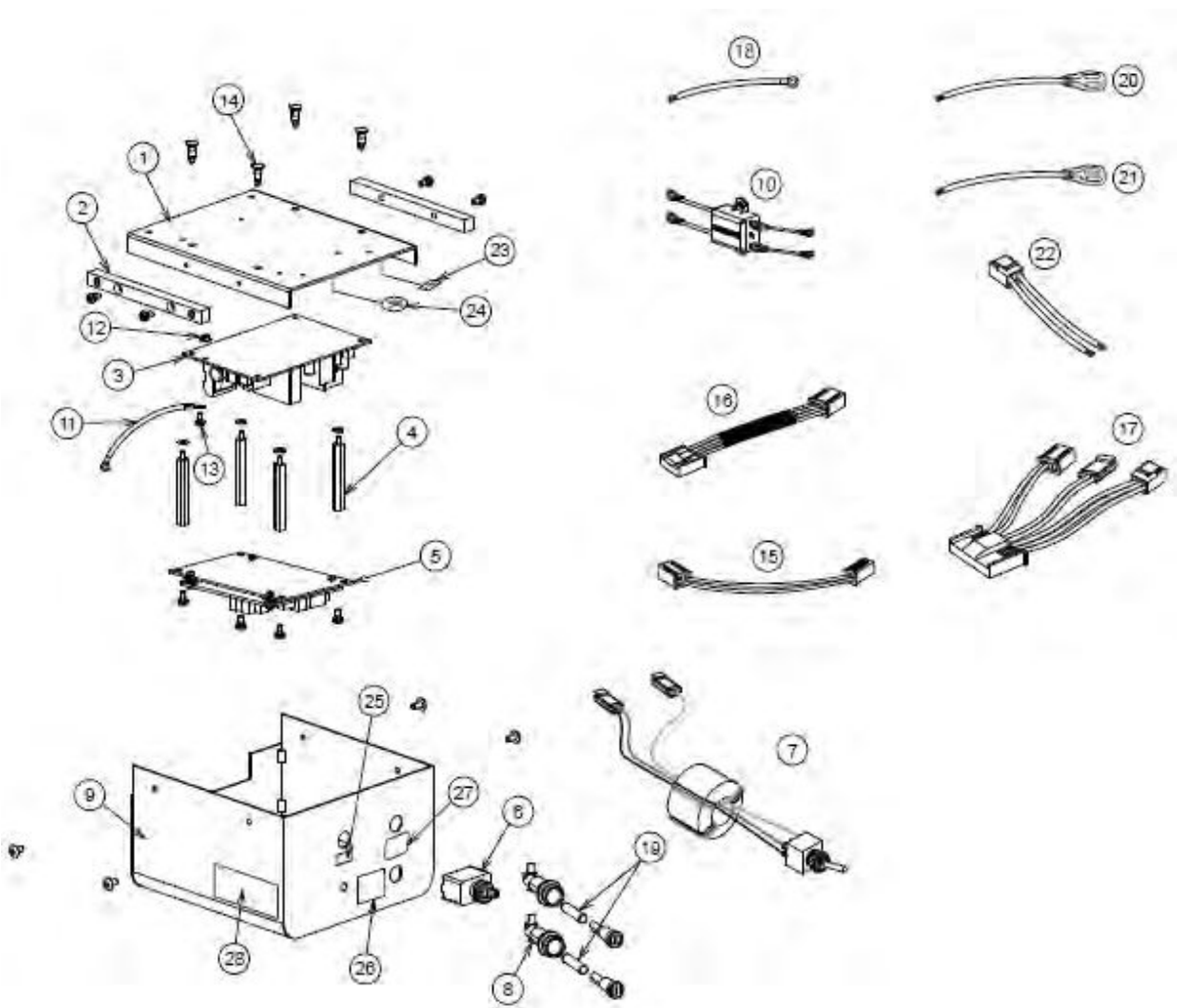
ID No.	MF ID	Parts No.	Description	QTY
1	G06	1A07PGA0	Transformer Box (CN-80) (Coated)	1
2	G06	1G028UA0	Switching power PCB (DL-900)	1
3	G06	1A07X8A0	Earth lead for power PCB	1
4	G06	ZA88JJPY	Pan head screw M3*8 trivalent chromate	7
5	G06	ZA901JAY	Flange NT M3 trivalent chromate	1
6	G06	CADQ71B0	CT code 3200 (SJT)	1
7	G06	CADQ35A0	Code bush panel (70)	1
8	G06	CEGN46A0	Code bush SR-6L-1	1
9	G06	CAML90B0	Code hook terminal block	1
10	G06	CADQ74A0	Earth lead (701M)	1
11	G06	1A08AHA0	Noise filter part (AL-901)	1
12	G06	1G02F4A0	Sensor control PCB set	1
A	G06	1G02EWA0	Back plate ASSY 901 (CN80)	1
13	G06	1A07WWA0	Back plate 901 (CN80) *Silk printed	1
14	G06	CENX56B0	Switch 0145-1220 (6A)	1
15	G06	AEFR93A0	Fuse holder F-400-01A2	2
16	G06	CEEN94A0	Fuse 250V 0.8A(T)	2
17	G06	CACP77A0	Lead wire Blue 150mm	1
18	G06	CACP72A0	Lead wire Brown 150mm	1
19	G06	1A087MA0	Power PCB relay code (AL-905)	1
20	G06	1A087LA0	S/M changing SW (AL-905)	1
21	G06	1A086XA0	Control PCB power line (AL-920Q)	1
22	G06	CAMS67A0	Caution B-DL-5	1
23	G06	1A07PLA0	Swivel arm (CN-80)	1
24	G06	1A07PHA0	Transformer Box cover (CN-80)	1
25	G06	CAOD05D0	Light adapter	1

9. TRANSFORMER BOX SECTION (902)



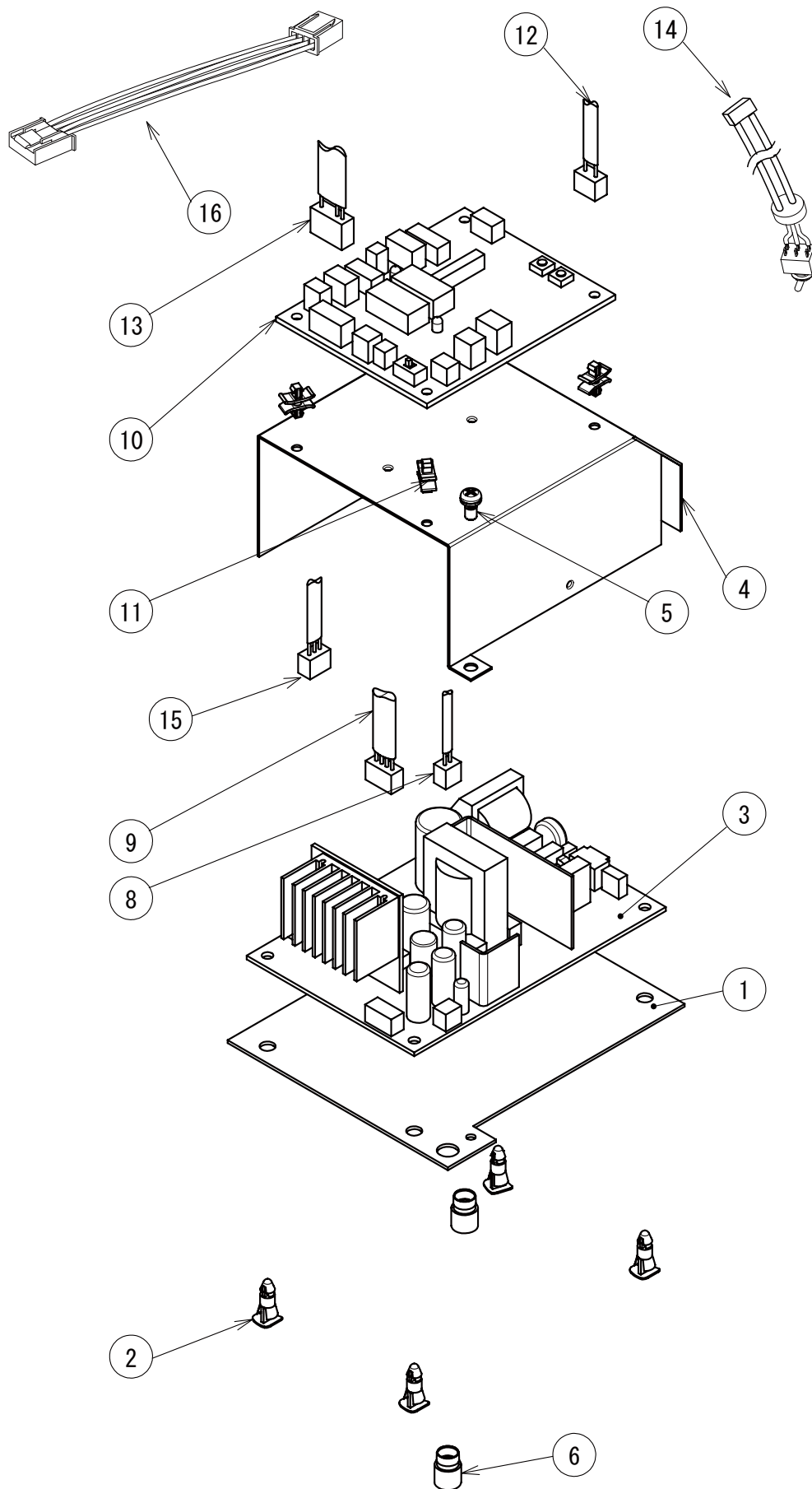
ID No.	MF ID	Parts No.	Description	QTY
1	G06	1A07PGA0	Transformer Box (CN80) *coated	1
2	G06	1A07W1A0	Swivel arm bearing (Processed)	1
3	G06	CAND32A0	Pole washer 43*29*.08	1
4	G06	CENX94A0	C type snap ring STW-29	1
5	G06	1A07W2A0	Rotation stopper bolt M8	1
6	G06	1G028UA0	Switching power PCB (DL-900)	1
7	G06	1A07X8A0	Earth lead for power PCB	1
8	G06	ZA88JJPY	Pan head screw 3P M3*8 trivalent chromate	1
9	G06	ZA901JAY	Flange NT M3 trivalent chromate	1
10	G06	CADQ71A0	CT code 3200 (SJT)	1
11	G06	CADQ35A0	Code bush panel (70)	1
12	G06	CEGN46A0	Code bush SR-6L-1	1
13	G06	CAML90B0	Code hook terminal block	1
14	G06	CADQ74A0	Earth lead (701)	1
15	G06	1A08AHA0	Noise filter part (AL-901)	1
16	G06	1G02F4A0	Sensor control PCB set	1
A	G06	1G02EXA0	Back plate ASSY 902 (CN80)	1
17	G06	1A07PJA0	Back plate 901 (CN80) *Silk printed	1
18	G06	CENX56B0	Switch 0145-1220 (6A)	1
19	G06	AEFR93A0	Fuse holder F-400-01A2	2
20	G06	CEEN94A0	Fuse 250V 0.8A(T)	2
21	G06	CACP77A0	Lead wire Blue 150mm	1
22	G06	CACP72A0	Lead wire Brown 100mm	1
23	G06	1A087MA0	Power PCB relay code (AL-905)	1
24	G06	1A087LA0	S/M changing SW	1
25	G06	1A086XA0	Control PCB power line (AL-920Q)	1
26	G06	CAMS67A0	Caution B-DL-5	1
27	G06	1A07PLA0	Swivel arm (CN-80)	1
	G06	1A082LA0	Swivel arm (RAL-9003) *white	
28	G06	1A07PHA0	Transformer Box cover (CN-80) *coated	1

10. TRANSFORMER BOX SECTION (905)



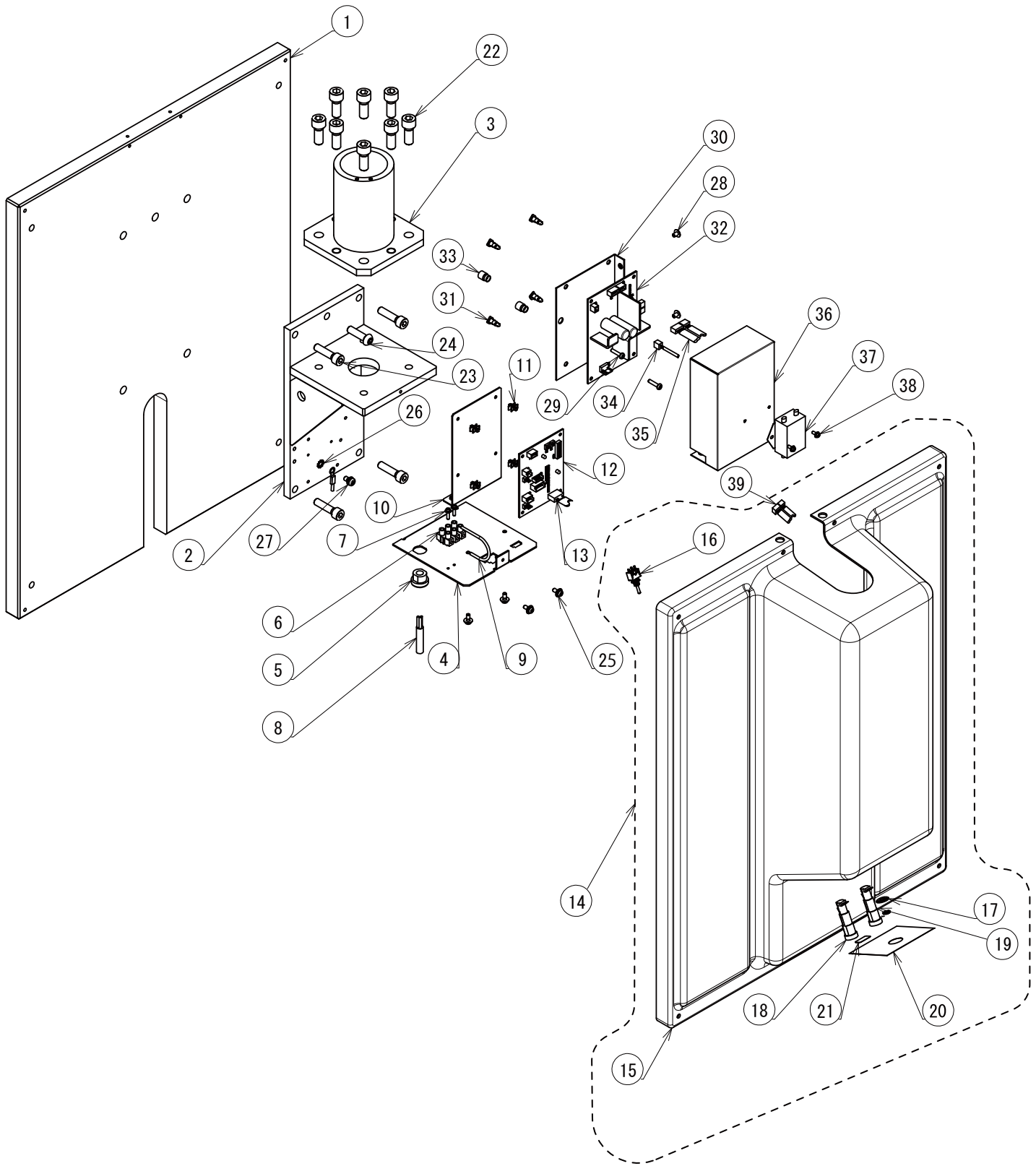
ID No.	MF ID	Parts No.	Description	QTY
1	G06	1A07M5A0	Transformer Box plate	1
2	G06	1A082EA0	Transformer Box insulated plate	2
3	G06	1G028UA0	Switching power PCB (DL-900)	1
4	G06	1E02E9A0	Brass spacer BSB-452E	4
5	G06	1G02F4A0	Sensor control PCB set	1
6	G06	CENX56B0	Switch 0145-1220 (6A)	1
7	G06	1A087LA0	S/M changing SW (AL-905)	1
8	G06	AEFR93A0	Fuse holder F-400-01A2	2
9	G06	1A07M8A0	Transformer Box cover (AL-905)	1
10	G06	1A08AJA0	Noise filter part (AL-905)	1
11	G06	1A07X8A0	Earth lead for power PCB	1
12	G06	ZA901JAY	Flange NT M3 trivalent chromate	1
13	G06	ZA88JJPY	Pan head screw M3*8 trivalent chromate	1
14	G06	DESR05A0	Spacer RSPSL-8LU	4
15	G06	1A086XA0	Control PCB power line (AL-920Q)	1
16	G06	1A087PA0	LED module relay code (AL-905)	1
17	G06	1A087QA0	Signal relay code (AL-905)	1
18	G06	1A087NA0	Earth lead green/yellow 500mm	1
19	G06	CEEN94A0	Fuse 250V 0.8A(T)	2
20	G06	CACP77A0	Lead wire Blue 150mm	1
21	G06	CACP76A0	Lead wire Brown 150mm	1
22	G06	1A087MA0	Power PCB relay code (AL-905)	1
23	G06	1A07YUA0	Earth label (Functional ground)	1
24	G06	CAMT05A0	Earth mark (N-7)	1
25	G06	CARO04A0	Power switch label (EU)	1
26	G06	CADR07A0	Sensor manual switching label	1
27	G06	CAEP84A0	Fuse label 0.8A (T)	1
28	G06	CAMS67A0	Caution B-DL-5	1

11. TRANSFORMER BOX SECTION (907)



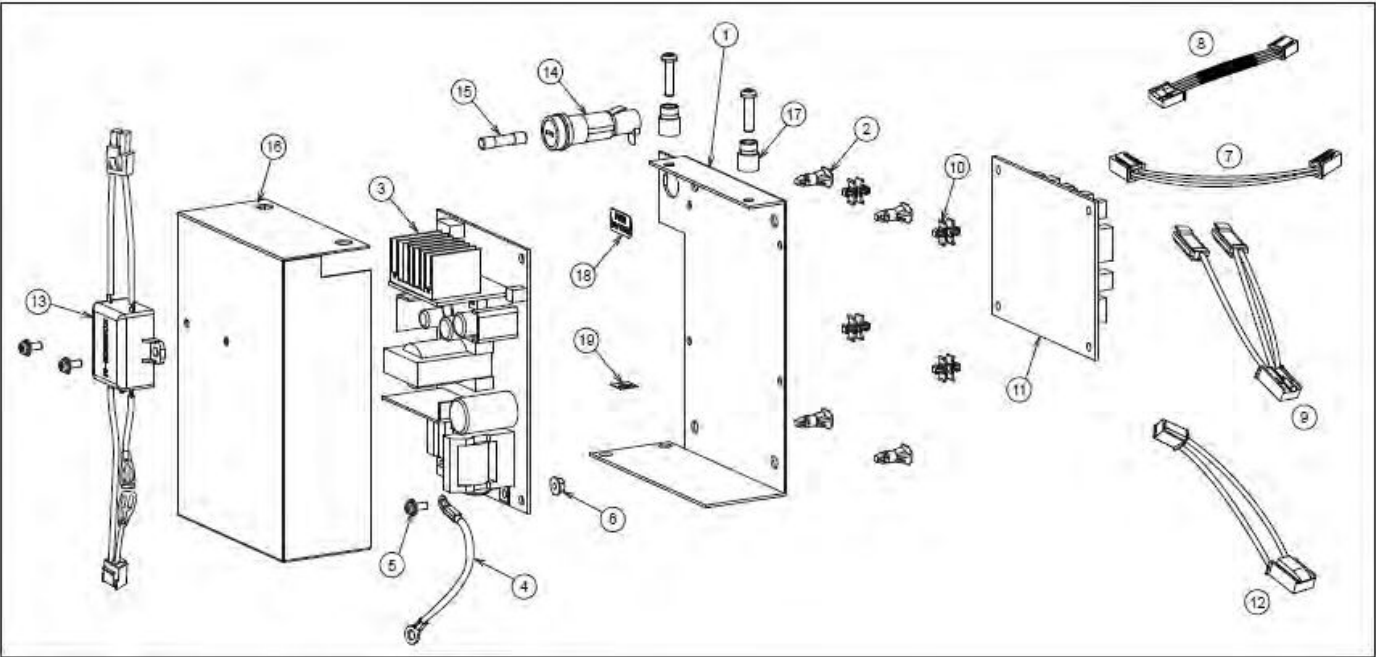
ID No.	MF ID	Parts No.	Description	QTY
1	G06	1A07NUA0	Plate for Power PCB	1
2	G06	DESR05A0	Spacer	4
3	G06	1G028UF0	Power PCB	1
4	G06	1A07X1D0	Cover for Power PCB	1
5	G06	ZA887LPY	Pan Head Sems Screw 2P M4X8 Chrome	2
6	G06	1E02FBA0	Snap Color Bush	2
8	G06	1A07MPA0	Trunk Line A for Control PCB	1
9	G06	1A07MRA0	Trunk Line for LED Module	1
10	G06	1G05UGB0	Light Control PCB	1
11	G06	CERN39A0	Spacer	4
12	G06	1A07MQA0	Trunk Line B for Control PCB	1
13	G06	1A07MNA0	Trunk Line B for Sensor/Manual Switch	1
14	G06	1A09GVA0	Sensor/Manual Switch Assy	1
15	G06	1A07MMA0	Trunk Line A for Sensor/Manual Switch	1
16	G06	1A0AP2B0	Trunk Line for Sensor/Manual Switch	1

12. TRANSFORMER BOX SECTION (908)



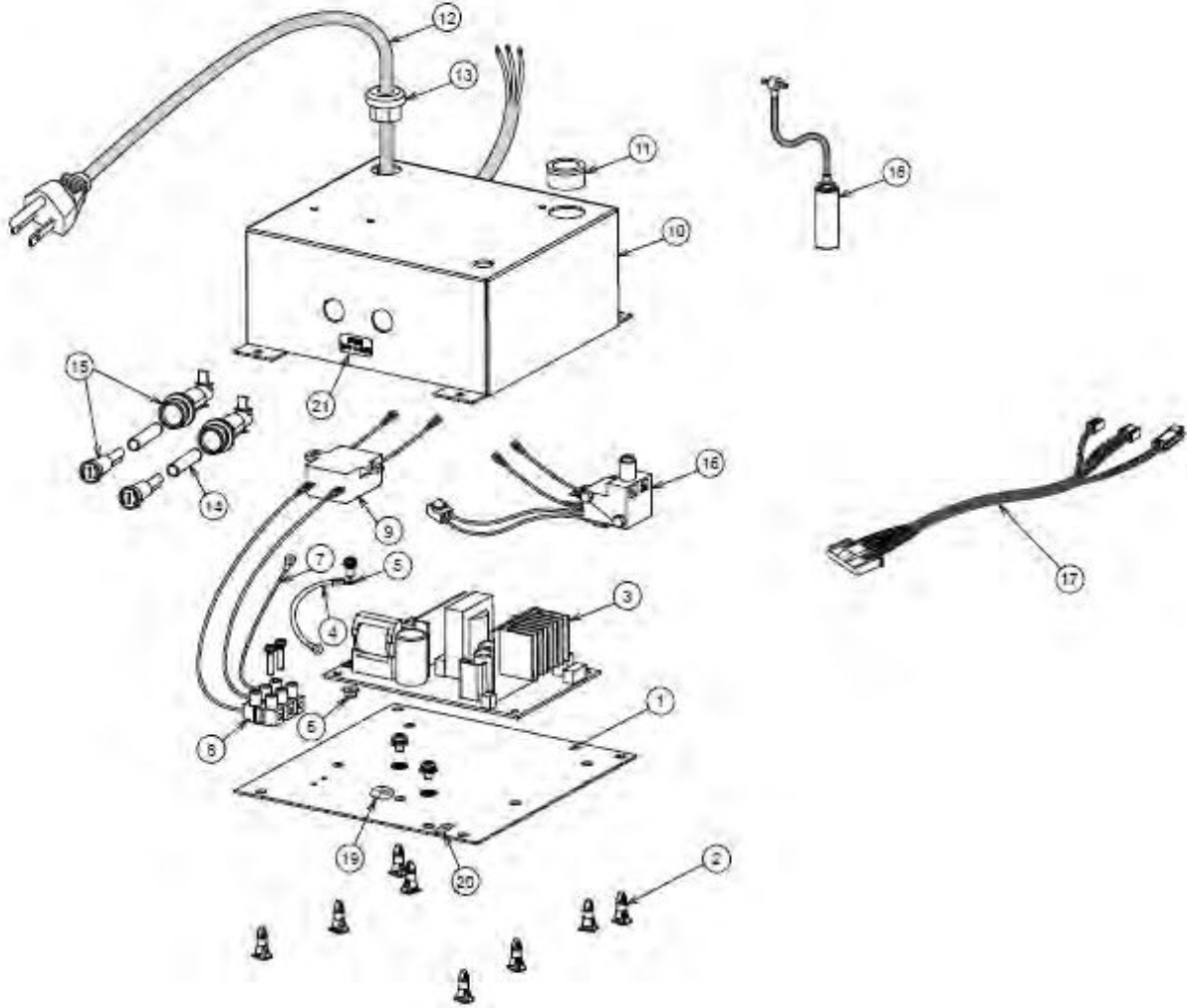
ID No.	MF ID	Parts No.	Description	QTY
1	G06	1A0QB3A0	Wall Plate	1
2	G06	CATN01D0	Bracket For Wall	1
3	G06	CATN02B0	Pole Receptacle	1
4	G06	1A0ALWA0	Bottom Plate	1
5	G06	CESN07A0	Bush	1
6	G06	CAML90B0	Terminal Block	1
7	G06	ZA88MJSY	Pan Head Sems Screw 4P M3x12 Chrome	2
8	G06	1A04CZA0	CT Code 2000L	1
9	G06	1A04CXA0	Earth Wire 200L	1
10	G06	1A0ALXA0	Plate For PCB	1
11	G06	CERN39A0	Spacer	4
12	G06	1G05UGB0	Light Control PCB	1
13	G06	1A09GLA0	Trunk Line A For Sensor/Manual Switch	1
14	G06	1G039KA0	Front Cover Set	1
15	G06	1A0ALYA0	Front Cover CN80	1
16	G06	1A09GKA0	Sensor/Manual Switch	1
17	G06	1A07PYC0	Spacer For Switch	1
18	G06	AEFR93B0	Fuse Holder	2
19	G06	CEEN94A0	Fuse 250V 0.8A (T)	2
20	G06	CATP11B0	Label For Sensor/Manual	1
21	G06	CAEP84B0	Fuse Label 0.8A (T)	1
22	G06	ZA761QYU	Hex Socket Head Screw M10x25 Sus	8
23	G06	CETN56A0	Hex Socket Head Screw M8x32 Black Chrome	4
24	G06	ZSA11PZG	Hex Button Head Screw M8x30 Black	1
25	G06	ZA88JLRY	Pan Head Sems Screw 3P M4x10 Chrome	4
26	G06	ZB552NAM	External Tooth Washer M5 Brass Nickel	1
27	G06	ZA88JNRL	Pan Head Sems Screw 3P M5x10 Brass	1
28	G06	ZA114LNY	Truss M4X6 Chrome	2
29	G06	ZA111LUC	Pan Head Screw M4x16 Chrome	2
30	G06	1A07X7A0	Bracket For Power PCB	1
31	G06	DESR05A0	Spacer	4
32	G06	1G028UF0	Power Supply PCB	1
33	G06	1E02FBA0	Snap Color Bush	2
34	G06	1A09GMA0	Trunk Line A For Control PCB	1
35	G06	1A07MRA0	Trunk Line For LED Module	1
36	G06	1A07Z9B0	Power PCB Box	1
37	G06	1A09GHB0	Noise Filter With Wire	1
38	G06	ZA88JJPY	Pan Head Sems Screw 3P M3x8 Chrome	2
39	G06	1A09GJA0	Trunk Line For Fuse	1

13. TRANSFORMER BOX SECTION (920Q)



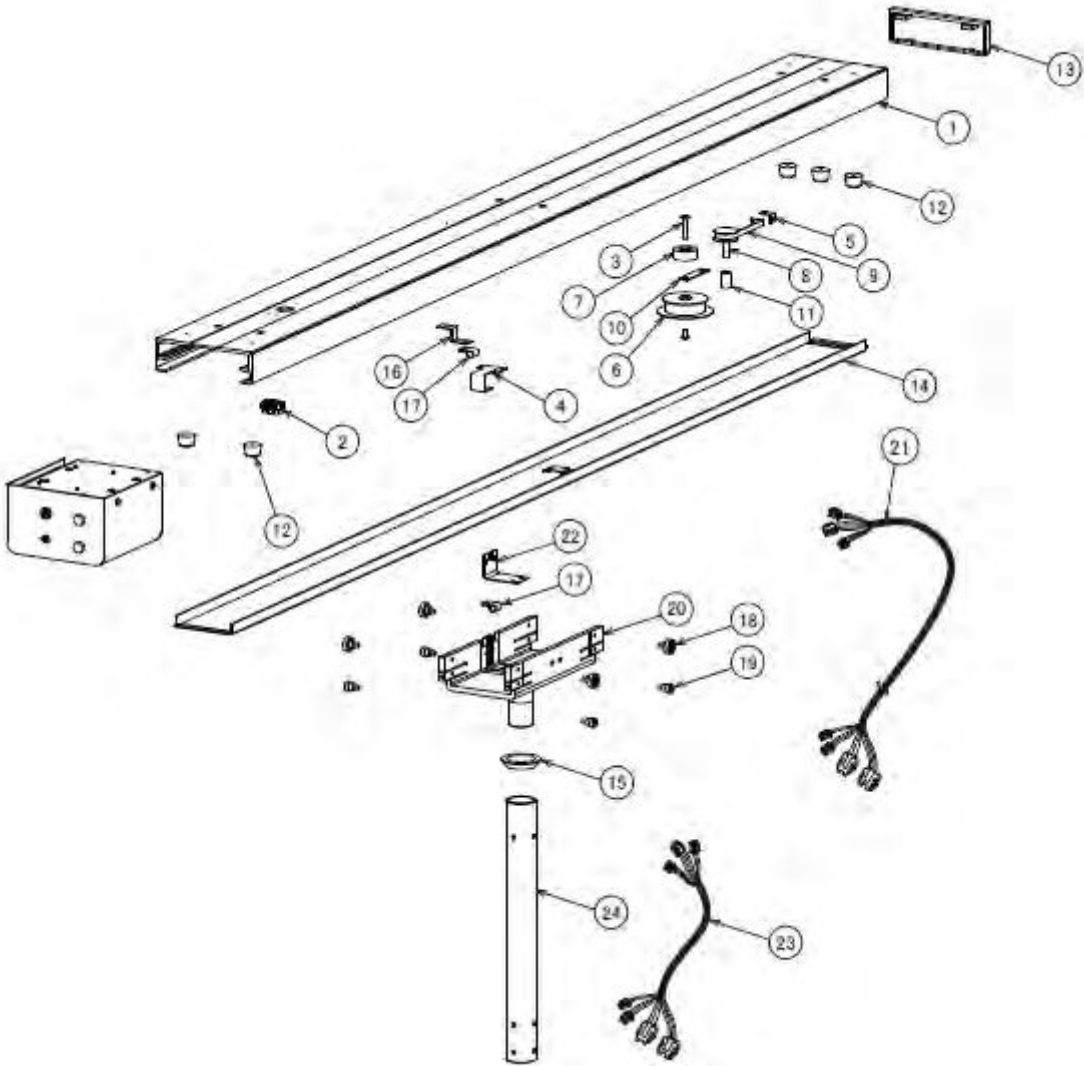
ID No.	MF ID	Parts No.	Description	QTY
1	G06	1A07Z8A0	Power PCB plate (QUOLIS)	1
2	G06	DESR05A0	Spacer RSPSL-8LU	4
3	G06	1G028UA0	Switching power PCB (DL-900)	1
4	G06	1A07X8A0	Earth lead for power PCB	1
5	G06	ZA88JJPY	Pan head screw 3P M3*8 trivalent chromate	1
6	G06	ZA901JAY	Flange NT M3 trivalent chromate	1
7	G06	1A086XA0	Control PCB power line (AL-920Q)	1
8	G06	1A07MRA0	LED module relay code (Power source side)	1
9	G06	1A086YA0	S/M changing SW relay code (AL-920Q)	1
10	G06	CERN39A0	Double locking spacer WLS-04-0	4
11	G06	1G02A0B0	Sensor control PCB (DL-900)	1
12	G06	1A0871A0	Serial communication code (AL-920Q)	1
13	G06	1A08AGA0	Noise filter (AL-920Q)	1
14	G06	AEFR93A0	Fuse holder F-400-01A2	1
15	G06	CEEN94A0	Fuse 250V 0.8A(T)	1
16	G06	1A07Z9A0	Power PCB cover (QUOLIS)	1
17	G06	1E02FBA0	Snap colour bush SB-407	2
18	G06	CAEP84A0	Fuse label 0.8 A (T)	1
19	G06	1A07YUA0	Earth seal (Functional ground)	1
20	G06	1A086WA0	Relay code in chair (AL-920Q)	1

14. TRANSFORMER BOX SECTION (920X)



ID No.	MF ID	Parts No.	Description	QTY
1	G06	1A08BWA0	Power BOX plate (AL-920X)	1
2	G06	DESR05A0	Spacer RSPSL-8LU	8
3	G06	1G028UA0	Switching power PCB (DL-900)	1
4	G06	1A07X8A0	Earth lead for power PCB	1
5	G06	ZA88JJPY	Pan head screw M3*8 trivalent chromate	1
6	G06	ZA901JAY	Flange NT M3 trivalent chromate	1
7	G06	CADQ74A0	Earth lead (701)	1
8	G06	CAML90B0	Code hook terminal block	1
9	G06	1A08AJA0	Noise filter (AL-905)	1
10	G06	1A08BVA0	Power BOX cover (AL-920X)	1
11	G06	AFFX96A0	Open closed bush OOB-750	1
12	G06	1A04D6A0	CT code 1000L	1
13	G06	CESN07A0	Relief bushing SR-6N3-4	1
14	G06	CEEN94A0	Fuse 250V 0.8A(T)	1
15	G06	AEFR93A0	Fuse holder F-400-01A2	1
16	G06	1G02LKA0	Changing SW ASSY (AL-920X)	1
17	G06	1A08CHA0	Power PCB signal relay code (AL-920X)	1
18	G06	1G02MBA0	Air SW ASSY	1
19	G06	CAMT05A0	Earth mark (N-7)	1
20	G06	1A07YUA0	Earth label (Functional ground)	1
21	G06	CAEP84A0	Fuse label 0.8 A (T)	1

15. TROLLEY AND RAIL SECTION (905)



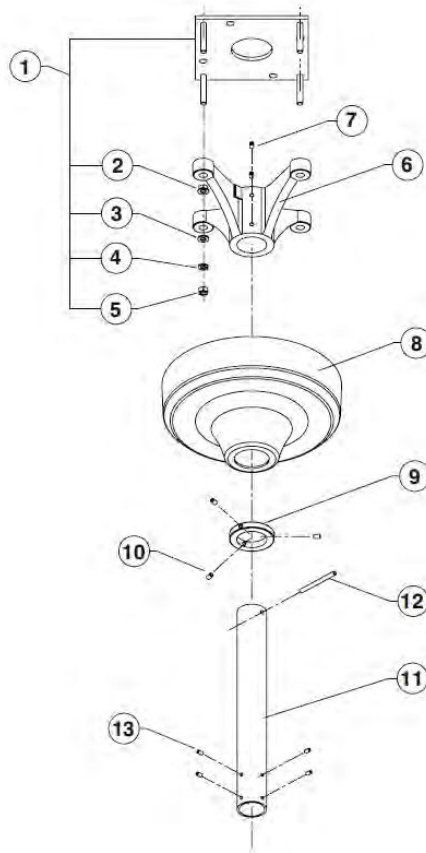
➤ **RAIL SECTION**

ID No.	MF ID	Parts No.	Description	QTY
1	G06	1A0824A0	Rail (Hammer net painting, CN-80)	1
2	G06	CAML90B0	Code hook terminal block	1
3	G06	CAMG88B0	Drum shaft	1
4	G06	CAMG90A0	Centre cover hook (OP/NDL)	1
5	G06	CAMG91A0	Constant force spring plate	1
6	G06	CAMP70B0	Pulley (OP/NDL) Duracon	1
7	G06	CAMP71C0	Drum A duracon	1
8	G06	CAMP72C0	Drum B duracon	1
9	G06	CAMU63A0	Constant force spring	1
10	G06	CAMV62A0	Guide (OP/NDL) SPOC	1
11	G06	CAQN96B0	Drum colour (White POM)	1
12	G06	CENY62A0	Stopper	5
13	G06	1G02EEA0	End cover ASSY (CN80)	1
14	G06	1G02EFA0	Centre cover ASSY (CN80)	1

➤ **TROLLEY SECTION**

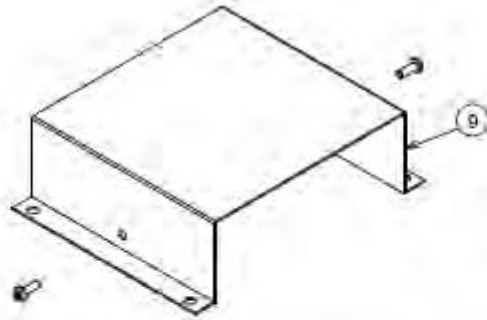
ID No.	MF ID	Parts No.	Description	QTY
15	G06	CAMG95A0	Trolley colour (Couted)	1
16	G06	CAMV63A0	Lead wire guide (OP/NDL)	1
17	G06	CENZ15A0	Nylon clamp NK-4N	2
18	G06	CGAN76A0	Roller upper (OPNDL) ASSY	4
19	G06	CGAN77A0	Roller lower (OPNDL) ASSY	4
20	G06	1A0823A0	Trolley (Hammer net coated, CN-80)	1
21	G06	1A087RA0	Yoke relay cable A (AL-905)	1
22	G06	CAMP73B0	Lead wire cover	1
23	G06	1A087TA0	Yoke relay cable C (AL-905)	1
24	G06	1G02U2A0	T pole set 380L (CN80)	1
	G06	1G02U3A0	T pole set 530L (CN80)	1
	G06	1G02U4A0	T pole set 680L (CN80)	1
	G06	1G02U5A0	T pole set 840L (CN80)	1
	G06	1G02U6A0	T pole set 1000L (CN80)	1

16. CEILING POLE SECTION (902)



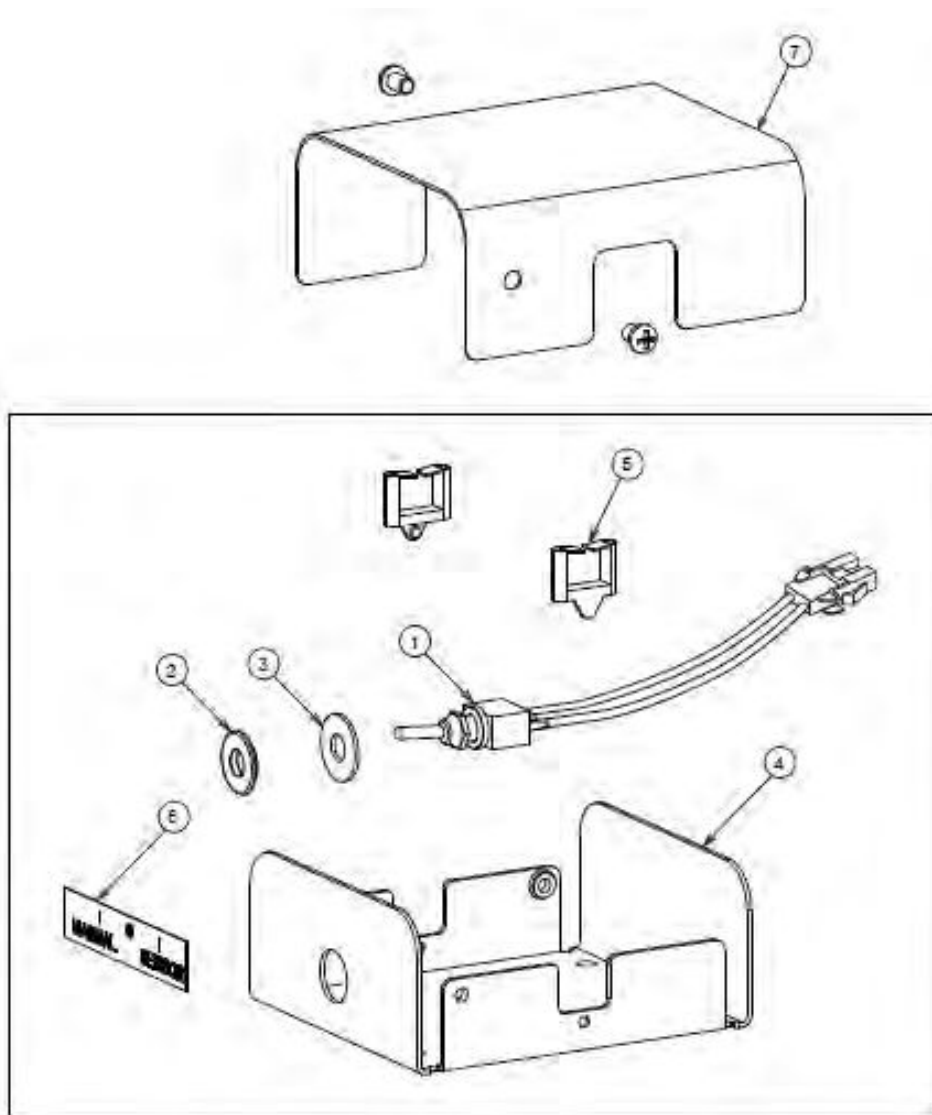
ID No.	MF ID	Parts No.	Description	QTY
1	G06	1P0211A0	Mounting Plate with Nut (No.2-5)	1
2	G06	ZA901PAY	Flange Nut (Leveling Nut)	4
3	G06	CENE00B0	Flat Washer M8 x 22 x 1.63	4
4	G06	ZB511PAY	Spring Washer M8	4
5	G06	1E00ABA0	U Nut M8	4
6	G06	TCPA01A0	Ceiling Flange	1
7	G06	ZA774OPU	Set Screw M6 x 8 (Cup Point)	4
8	G06	1A0827A0	Ceiling Cover (CN80)	1
9	G06	CAMG76A	Stopper Ring	1
10	G06	CENB35B0	Set Screw M6 x 8 (Cup Point) (Red Mec Thread Lock)	3
11	G06	1G02TLA0	Ceiling Pole Set 340mm (CN80)	1
	G06	1G02TMA0	Ceiling Pole Set 510mm (CN80)	
	G06	1G02TNA0	Ceiling Pole Set 680mm (CN80)	
	G06	1G02TPA0	Ceiling Pole Set 840mm (CN80)	
	G06	1G02TQA0	Ceiling Pole Set 1000mm (CN80)	
12	G06	CAMK40A0	Roll Pin 6 x 70	1
13	G06	ZA772NRY	Set Screw M5 x 10 (Truncated cone point)	4
	G06	CGRN38B0	Ceiling Screw Set	1
14	G06	CGQ013A0	CEILING FLANGE SET (ID No, 1-7 and 12)	1

17. SENSOR CONTROL PCB BOX (920)



ID No.	MF ID	Parts No.	Description	QTY
1	G06	1A08CTA0	Censor control PCB BOX	1
2	G06	CERN39A0	Double locking spacer WLS-04-0	4
3	G06	1G02A0C0	Censor control PCB (DL-900)	1
4	G06	1A089UA0	Lead wire in PCB BOX (Incl. S/M changing SW)	1
5	G06	CETN14A0	Edge saddle EDS-1717U	1
6	G06	CETN13A0	Clamp (with sponge) CKN-10SP	1
7	G06	CADR07A0	S/M changing label	1
8	G06	U-31860	Power label (I) (O)	1
9	G06	CATN46CR	Base BOX cover (Coated)	1

18. TOGGLE SW BOX (920)



ID No.	MF ID	Parts No.	Description	QTY
1	G06	1A086ZA0	S/M changing SW (AL-920Q)	1
2	G06	1A07PYB0	S/M changing SW spacer	1
3	G06	1E00V3A0	Pan head washer M6*16*1.0 trivalent chromate	1
4	G06	CAGP86A1	SW BOX flame	1
5	G06	CEGN75A0	Edge saddle	2
6	G06	CAJC01A0	Power switch label (NDL/ UK)	1
7	G06	CAGP87A1	SW BOX cover	1

NOTE



TAKARA BELMONT CORPORATION

2-1-1, Higashishinsaibashi, Chuo-ku, Osaka, 542-0083, Japan

TEL : 81-6-6213-5945

FAX : 81-6-6212-3680

BOOK NO. 210112

Printed in Japan