

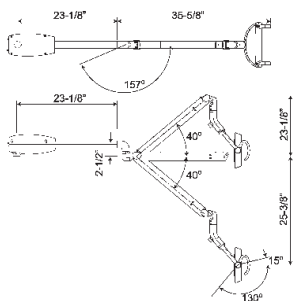
# Bel-Halo

## Dental Light Specifications

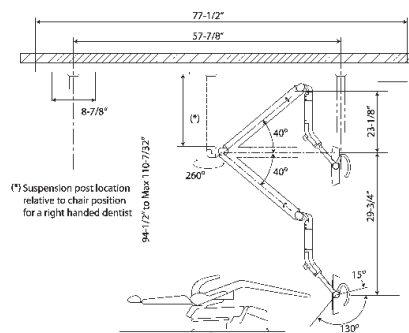
- **Number of LEDs in Light Array:** 10
- **Active LEDs (Treatment Mode):** 8
- **Active LEDs (Composite Safe Mode):** 2
- **LED Color Rendering Index (Ra):** >90
- **High Intensity:** 39,000 Lx (3,623 Fc)
- **Minimum Intensity:** 5,500 Lx (511 Fc)
- **Composite Safe Mode:** 7,500 Lx (697 Fc)
- **Color Temperature:** 5,000°K (Treatment Mode High & Minimum Intensity); 2,800°K (Composite Safe Mode)
- **Focal Length:** 25-19/32"
- **Light Pattern:** 3-15/16" x 6-11/16"
- **Light Pattern Shape:** Rectangular
- **Light Head Type:** 3-Axis Rotation
- **Light & Composite Safe Mode Controls:** Touchless Sensor and Manual Switches
- **Illuminance Intensity Adjustment:** Stepless Rotation Knob with Composite Safe Mode Blinking Indicator
- **Light Options:** Suspension Post Lengths for Ceiling & Track Lights to accommodate operatories with 8, 8-1/2, 9, 9-1/2, or 10FT ceilings; Rotating Patient Mirror



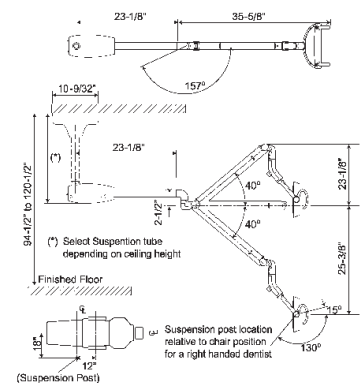
**Bel-Halo Unit Mount Light: Models AL991 & AL991R**



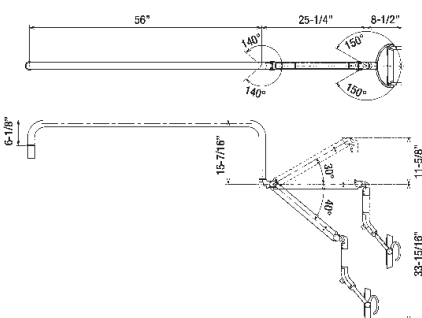
**Bel-Halo Track Mount Light: Model AL995**



**Bel-Halo Ceiling Mount Light: Model AL992**



**Bel-Halo Cabinet Mount Light: Model AL997**



**Bel-Halo Wall Mount Light: Model AL998**

