



BELRAY

MODEL 096

DENTAL X-RAY

PARTS



BELMONT EQUIPMENT CORPORATION

101 Belmont Drive, Somerset, NJ 08873

(732) 469-5000 Fax (800) 280-7504

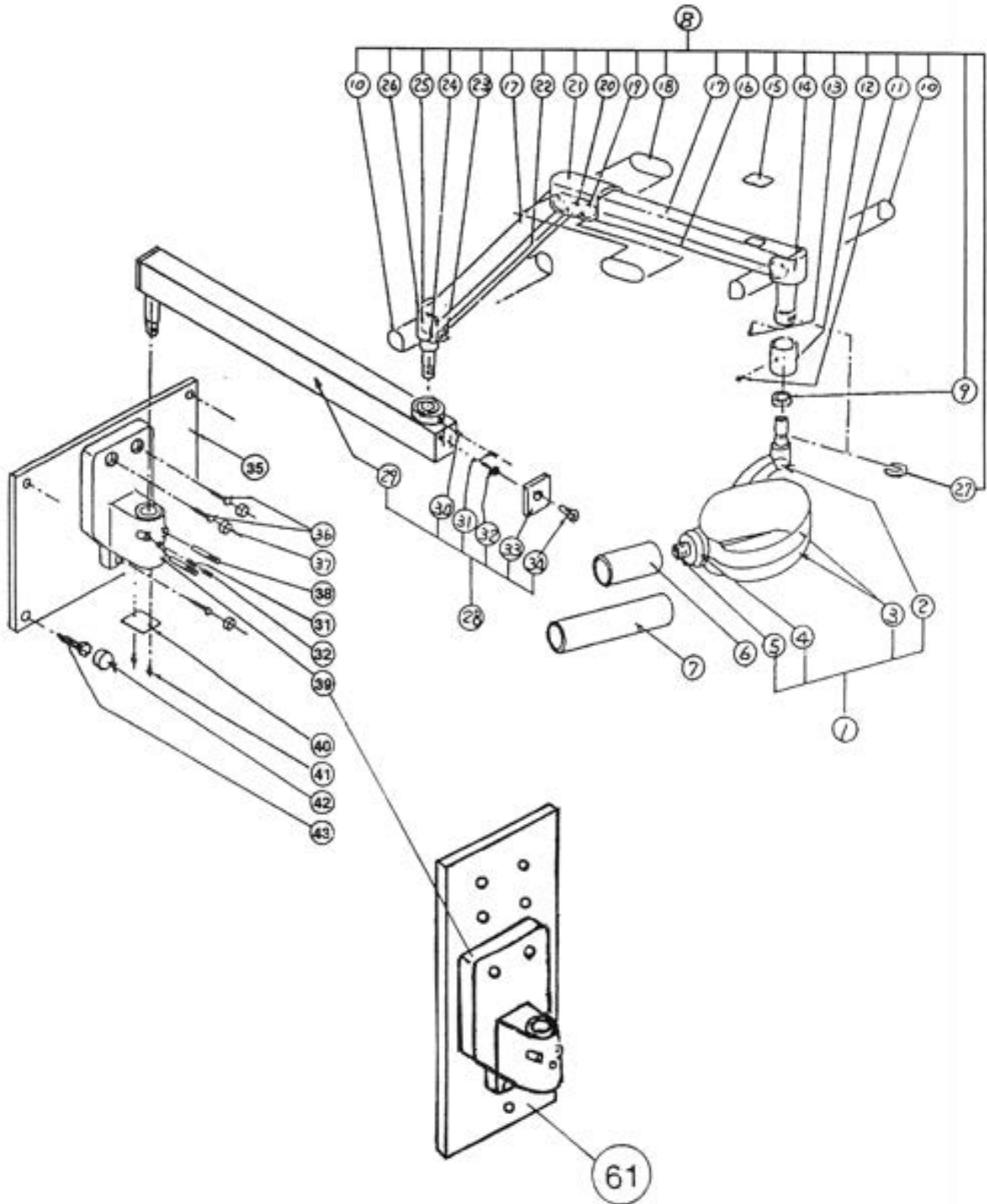
Toll Free (800) 223-1192

MODELS, PRICES, AND SPECIFICATONS ARE SUBJECT TO CHANGE WITHOUT NOTICE

ARM AND HEAD ASSEMBLY

INDEX NO.	PART NO.	DESCRIPTION
1	096-1010	X-RAY HEAD ASSEMBLY
2	096-1020	YOKE POST
	096-1021	COVER FOR YOKE POST
3	096-1030	HOUSING COVER
4	096-1040	LOCK RING
5	096-1050	CONE SLEEVE
6	096-1060	REGULAR CONE
7	096-1070	LONG CONE
8	096-1080	BALANCE ARM ASSEMBLY
9	096-1090	STOPPER RING
10	096-1100	MAKE-UP SEAL NO.1
11	096-1110	COLLAR SCREW
12	096-1120	COLLAR
14	096-1140	JOINT NO.3
15	096-1150	SPRING ADJUSTER COVER
17	096-1170	ARM COVER
18	096-1180	MAKE-UP SEAL NO.2
19	096-1190	PIVOT PIN
20	096-1200	JOINT PIN
21	096-1210	JOINT NO.2
23	096-1230	CUSHION ABSORBER
24	096-1240	COVER PIN
25	096-1250	SPRING PIN
26	096-1260	JOINT NO.1
27	096-1270	HEAD KEY
28	096-1280	HORIZONTAL ARM ASSEMBLY 31"
	096-1281	HORIZONTAL ARM ASSEMBLY 20"
	096-1282	HORIZONTAL ARM ASSEMBLY 12"
30	096-1300	BRAKE PLUG (2 PCS / SET)
31	096-1310	BRAKE SCREW (2 PCS / SET)
32	096-1320	STOPPER SCREW (2 PCS / SET)
33	096-1330	END CAP
34	096-1340	END CAP SCREW
35	096-1620	WALL MOUNT PLATE
36	096-1360	MACHINE BOLT (3 PCS / SET)
37	096-1370	BOLT CAP SMALL (3 PCS / SET)
38	096-1380	RETAINING BOLT (2 PCS / SET)
39	096-1390	ARM MOUNTING BRACKET
40	096-1400	BOTTOM COVER
41	096-1410	BOTTOM COVER SCREW (2 PCS / SET)
42	096-1420	BOLT CAP LARGE (4 PCS / SET)
43	096-1430	PLATE BOLT (4 PCS / SET)
NOT SHOWN	096-1081	WIRE HARNESS (6P) IN BALANCE ARM
NOT SHOWN	096-1630	YOKE SIDE CAP

[1] ARM AND HEAD ASSEMBLY



CONTROL BOX ASSEMBLY

INDEX NO.	PART NO.	DESCRIPTION	R
	096- 1000	CONTROL BOX ASSEMBLY	
44	096- 1440	CHASSIS	
45	096- 1450	FUSE (F1/F2 10A)	
46	096- 1460	TERMINAL BLOCK (4P)	
47	096- 1470	POWER SWITCH	
48	096- 1480	COVERING PLATE	
49	096- 1490	PC-BOARD (TIMER)	
50	096- 1500	FRONT COVER	
51	096- 1510	TOP SCREW (M3)	
52	096- 1520	FUSE (F3 0.5A)	
53	096- 1530	WOOD SCREW FOR CHASSIS	
54	096- 1540	FUSE (F4 1A)	
55	096- 1550	TERMINAL BLOCK (5P)	
56	096- 1560	HOOK FOR HAND EXPOSURE SWITCH	
57	096- 1570	HAND EXPOSURE SWITCH	
58	096- 1580	SCREW FOR HOOK	
59	096- 1600	MAIN PC-BOARD	
60	096- 1610	FRONT SHEET SWITCH ("SE" SWITCH)	
61	096- 1640	PASS THRU BRACKET	

[2] CONTROL BOX ASSEMBLY

