



Bel-Halo
INSTRUCTIONS FOR USE

Dear Customers

Dear Customers
Thank you for purchasing our product.

This booklet explains how to use Bel-Halo.
Before using Bel-Halo, carefully read the operating instructions and use the product correctly.
Using the product without reading these instructions may lead to an accident.

For easy access to the information contained herein, keep this booklet at hand and review it as needed.

Ask your local authorized Belmont dealer to install the product, following the installation instructions.

If you have any questions regarding the operating instructions or the product, please contact your local authorized Belmont dealer.
If you find any dirt on or damage to the booklet and need a new one, report the catalog number indicated below to your local authorized Belmont dealer to order a new one.

This document describes the full version of the system. It may therefore cover components that are not included in the system you purchased.

2022-07 (1st edition)	
REF	1E08R7AE

Mount type

AL-D241G / AL-D241W (POST MOUNT)



AL-D242G (CEILING MOUNT)



AL-D245G (TRACK MOUNT)



AL-D246G (UNIT MOUNT)



AL-D249W (UNIT MOUNT)



AL-D247G (CABINET MOUNT)



AL-D248G (WALL MOUNT)



Dear Customers	2
Mount type	3
1 General Information	
1-1 Intended Use of the Product	6
1-2 How to Dispose of the Device	6
1-3 Symbols	6
1-4 Technical Description	7
2 Safety Consideration	
2-1 Risk Level Interpretation	8
2-2 Safety Precautions	9
2-3 Devices Connectable to the Product	13
3 Precautions for Use	
3-1 Operating Precautions	14
4 Specifications of the Product	
4-1 Technical Data	15
4-2 Major Components	19
5 Operation	
5-1 Description of Functions	23
5-2 Operating Methods	24
5-3 How to Use a Patient Mirror	26
6 Maintenance and Cleaning	
6-1 Cleaning and disinfection	27
6-2 Maintenance and Inspection	29
6-3 Storage Instructions	30

7	Maintenance by Service Engineers	
7-1	After-sales Service	31
7-2	Service Life	31
7-3	Period of Parts Retention	31
8	Troubleshooting	
8-1	Troubleshooting	32
9	Accessories and Consumables	
9-1	Accessories	33
9-2	Consumables	33

1 General Information

1-1 Intended Use of the Product

This product is an active therapeutic device intended for the exclusive use for diagnoses, treatments and related procedures of dentistry.

The product must be operated or handled by the qualified dentists or by dental staffs under the supervision of the dentist. Such dentists or dental staffs should instruct and/or assist the patients to approach to and leave from the product.









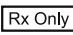






Patients should not be allowed to operate or handle the product unless he/she is so instructed.

1-2 How to Dispose of the Device

When disposing of this product and parts replaced, carefully take infection control measures and handle them properly in accordance with the relevant laws and regulations (applicable regulations and local regulations).

1-3 Symbols

The symbols listed below are used on this product, on labeling, and in this booklet. Check the meaning of each symbol.

	Switch (ON)		Switch (OFF)
MANUAL 	Manual operation	 SENSOR	Sensing operation
	Alternating current		Name and address of the manufacturer
	Year of manufacture		Catalog number
	Rx only		Caution *The base color is yellow.
	General warning sign *The base color is yellow.		Follow instructions for use *The color of black part is blue in the actual label.
	Generally prohibited activity		Disassembly, repair or modification prohibited
	Instructions for mandatory actions in general		

1 General Information

1-4 Technical Description

The following are explained in the documents listed below:

Item	Document
How to install this product	Installation instructions
Wiring	Installation instructions

2 Safety Consideration

2-1 Risk Level Interpretation

Precautions before use

Make sure to carefully read the Safety Precautions and Operating Precautions and use the product correctly.

These precautions are intended to ensure the safe use of the product and prevent harm or damage to users or other people. According to the magnitude of harm and damage and the degree of urgency, an incident that may be caused by misuse of the product is classified into one of the following categories: CONTRAINDICATION, WARNING, and CAUTION.

All of these categories are important for safety. Always follow the instructions provided.

We assume no responsibility for any accident due to failure to follow the Safety Precautions or Operating Precautions even in the event of harm or damage to users or other persons.

In such case, users or other persons who use the product without observing the Safety Precautions and Operating Precautions are responsible for any harm or damage incurred.

The graphical symbols are explained in detail below.

Once you have fully understood this explanation, read the text.

Classification by degree of harm or damage and urgency

CONTRAINDICATION

Use of the product without regard to this indication will create a hazardous condition that may result in death or serious injury.

WARNING

Improper handling of the product without regard to this indication will create a hazardous condition that may result in death or serious injury.

CAUTION

Improper handling of the product without regard to this indication will create a potentially hazardous condition that may result in moderate or slight injury or property damage.

The following graphical symbols are used to explain your responsibilities for using the product safely:

Graphical symbols for prohibited activity



Generally prohibited activity



Disassembly, repair or modification prohibited

Graphical symbol for mandatory instructions



Mandatory instructions for ordinary users

2 Safety Consideration

2-2 Safety Precautions

CONTRAINDICATION

Installing or transferring the product



Precautions regarding installation

Do not install the product near electromagnetic sources such as communication facilities or elevators.

Malfunction of this product may occur in the presence of electromagnetic interference waves.

Use and maintenance of the product



Do not use the product for purposes other than dental diagnosis and treatment.

Only dentists or dental professionals may use this product.

Do not use the equipment in an explosive atmosphere (e.g., in the presence of inflammable gases).

Improper use in such an atmosphere may cause injury or fire.

Use with caution in the presence of electromagnetic waves.

Do not use equipment generating electromagnetic waves, such as mobile phones, around this product.

Malfunction of the product may occur.

Be sure to turn off the power switch or turn off the main switch of the dental operating unit when HF surgical equipment is in use.

Be sure to turn off the main switch of the unit when HF surgical equipment is in use because the noise may result in incorrect operation of this product.



Never disassemble, repair or modify the product.

Individuals other than your local authorized Belmont dealer should not disassemble or repair the product.

This could lead to an accident, failure, electric shock, or fire.

Never modify the product as it is extremely dangerous to do so.

Installing or transferring the product



Use and maintenance of the product



WARNING

Precautions for installation

Ask your local authorized Belmont dealer to install the product.

To avoid the risk of electric shock, this equipment must only be connected to a supply mains with protective earth.

Do not directly expose human eyes to LED light.

Exposure may hurt human eyes.

Do not apply excessive load to the arm part, or handle it roughly.

Otherwise, the arm part may be damaged, causing injury.

Do not wash the product with water.

This may cause failure or electric shock.

Pay attention to patients and children.

Keep your eyes on the patient when the product is in use.

Patients (especially children) may touch the control switch or system inadvertently, leading to an accident due to incorrect operation of the product.

Pay close attention to a patient who has a cardiac pacemaker or defibrillator implanted.

If any abnormality occurs, immediately turn off the power switch or turn off the main switch of the dental operating unit and discontinue use of the product.

The product may affect the function of the pacemaker or defibrillator, leading to an accident.

Prohibition of using this equipment adjacent to or stacked with other electronic equipment

Use of this equipment adjacent to or stacked with other equipment should be avoided because it could result in improper operation.

If such use is necessary, this equipment and the other equipment should be observed to verify that they are operating normally.

Prohibition of placing portable RF communications equipment adjacent to this product

Portable RF communications equipment (including peripherals such as antenna cables and external antennas) should be used no closer than 30 cm(12 inches) to any part of the Bel-Halo, including cables specified by the manufacturer. Otherwise, degradation of the performance of this equipment could result.

Use and maintenance of the product



WARNING

Clean the product thoroughly.

Poor cleaning may cause bacteria to grow, posing a health risk. See cleaning procedures on page 27.

Be sure to conduct maintenance.

Use of the product without maintenance may cause injury or damage to peripheral devices.

See maintenance information on pages 29.

Discontinue use of the product if it is broken.

In the case of a broken product, immediately discontinue use and turn off the power switch or turn off the main switch of the dental operating unit.

Then, ask your local authorized Belmont dealer to repair the product.

Turn off the power switch or turn off the main switch of the dental operating unit during cleaning.

Failure to follow this instruction may cause electric shock or ignition. The product may also move unexpectedly, causing injury.

Action taken for power failure

To prevent unexpected operation of the product after recovery from power failure, turn off the power switch or turn off the main switch of the dental operating unit.

California Proposition 65

Cancer and Reproductive Harm - www.P65Warnings.ca.gov.

During use or care



CAUTION

Do not hit or rub the product hard.

This may cause damage to the cover or operational failure. Repeated impact to the light head may severely reduce the service life of the LED.

Confirm the normal operation of each part before use.

Always inspect the product for abnormal findings such as loose components, backlash, tilting, vibration, sound, abnormal temperature, or bad odors. If you feel something is wrong, immediately discontinue use of the product and turn off the power switch or turn off the main switch of the dental operating unit. Then, contact your local authorized Belmont dealer.

Irradiation light of LED

Use of controls or adjustments or performance of procedures other than those specified herein may result in hazardous radiation exposure.

Handling of LED light source

The LED light source used in this product emits intense light, which may cause hypersensitive physical reaction, resulting in dizziness, nausea, etc. Take precautions not to expose human eyes to the intense light for a prolonged time period, by turning down the illuminance or turning off the light when unnecessary.

Precautions for use of a patient mirror

Do not apply strong impact to the patient mirror, such as by hitting it with a hard object. Otherwise, the patient mirror may be damaged, causing injury.

Do not remove the mirror frame that holds the mirror. Otherwise, the mirror may fall, causing damage or injury.

Immediately wipe off any chemicals or water adhered to the product.

Adhesion of chemicals or water to electrical parts may cause malfunction or leakage. If such substances are adhered to the product, immediately wipe them off with a soft dry cloth.

Turn off the power switch or turn off the main switch of the dental operating unit at the closing time or during a break.

RISK GROUP 2

UV emitted from this product. Eye or skin irritation may result from exposure. Use appropriate shielding. Possibly hazardous optical radiation emitted from this product. Do not stare at operating lamp. May be harmful to the eyes.

RISK GROUP 2 CAUTION
-UV emitted from this product.
-Possibly hazardous optical radiation emitted from this product.
GROUPE DE RISQUE 2 ATTENTION
-UV émis par ce produit.
-Rayonnement optique potentiellement dangereux émis par ce produit.

2-3 Devices Connectable to the Product

This product should be connected to the following devices for use.

Dental Unit / Dental Examination & Procedure Chair

X-Calibur

Evogue Unit

Quolis 5000 Unit

Quolis Unit

Evogue Chair (Model Q3300)

Quolis Chair (Model Q5500)

3 Precautions for Use

3-1 Operating Precautions

Immediately wipe off any drug solutions adhered to this product.

Otherwise, they may cause deterioration or discoloration.

Do not apply heat to this product.

This may cause deterioration or discoloration.

Discoloration of resin

Resin materials are used in external components of this product.

Carefully selected materials are used; however, discoloration may occur for reasons such as natural deterioration or the adherence of drug solutions.

To ensure use of the product for as long as possible, immediately wipe off any drug solutions adhered and avoid sunlight.

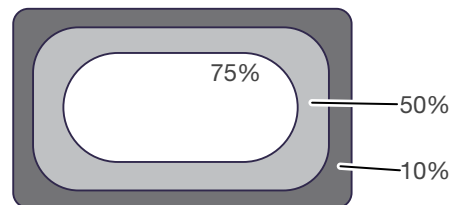
LED lens

A random pattern, which may appear on the back of the lens when turning on the light, is not defect. It does not affect the product functions like illuminance.

4 Specifications of the Product

4-1 Technical Data

Model	AL-D241G / AL-D241W / AL-D242G / AL-D245G / AL-D246G / AL-D247G / AL-D248G / AL-D249W
Classification by	Class I Equipment
type of protection against electric shock	
Rated voltage.....	AC100-240V 50 / 60Hz
Rated input.....	0.30-0.15A
Fuse	0.8A / 250V (Interrupting capacity 35A / 250VAC)
.....	Operating speed:Time lag Size:1/4 x 1-1/4inch (6.4 x 31.8mm)
Operation mode	Continuous operation
Weight	16.3lbs (7.4kg) (AL-D241G / AL-D241W) 25.6lbs (11.6kg) (with 14-15/16inch (380mm) pole (AL-D242G) 35.7lbs (16.2kg) (with 14-15/16inch (380mm) pole (AL-D245G) 9.3lbs (4.2kg) (AL-D246G / AL-D249W) 26.7lbs (12.1kg) (AL-D247G) 47.8lbs (21.7kg) (AL-D248G)
Light source	10 LED lamps
Optical performance	Standard irradiation distance: 25-19/32inch (650mm) In treatment mode Central illuminance: 5,500–39,000 lx Correlated color temperature: 5,000 K In Composite Safe mode (Compliant with ISO 9680: 2014 5.2.10) Central illuminance: 7,500 lx Correlated color temperature: 2,800 K
Illuminance pattern	Pattern dimensions (length x width): 3-15/16 x 6-11/16inch (100 x 170mm)



75%/50%/10%: 75%/50%/10% areas of maximum illuminance

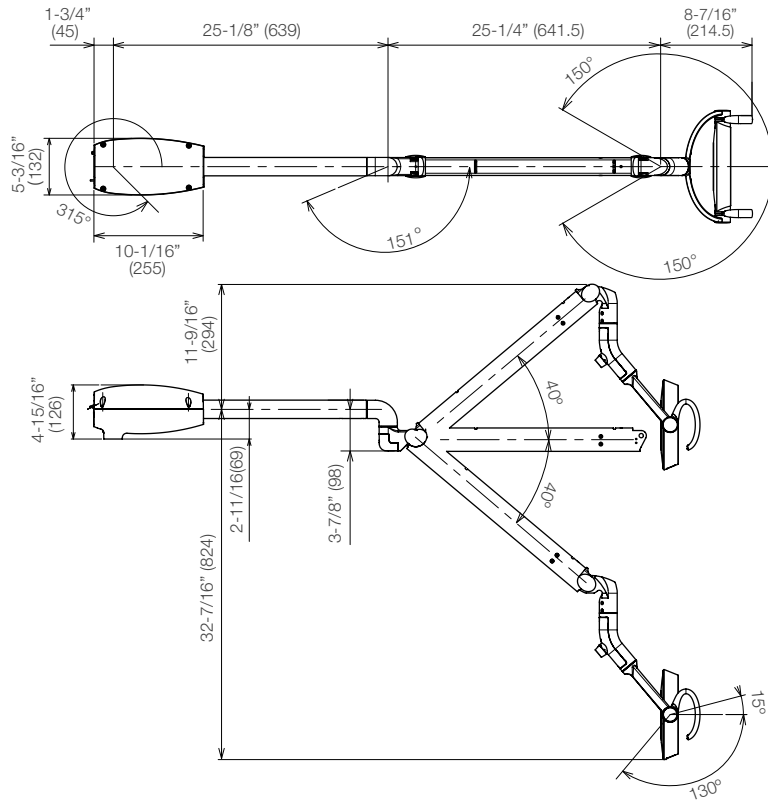
Environment for use	Temperature: 32-104°F (0-40°C) Humidity: 10-95% (No condensation) Atmospheric pressure: 10.2-15.4psi (700-1,060 hPa)
Environment for transport... and storage	Temperature: -4-158°F (-20-70°C) Humidity: 10-95% (No condensation) Atmospheric pressure: 10.2-15.4psi (700-1,060 hPa)
Adaptability to high oxygen-level environment	Not for use in a high oxygen-level environment

Refer to the rating plate for the capacity of power supply.

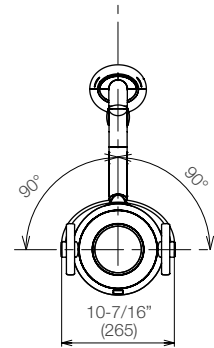
The specification is subject to change without notice.

4 Specifications of the Product

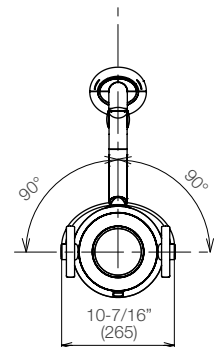
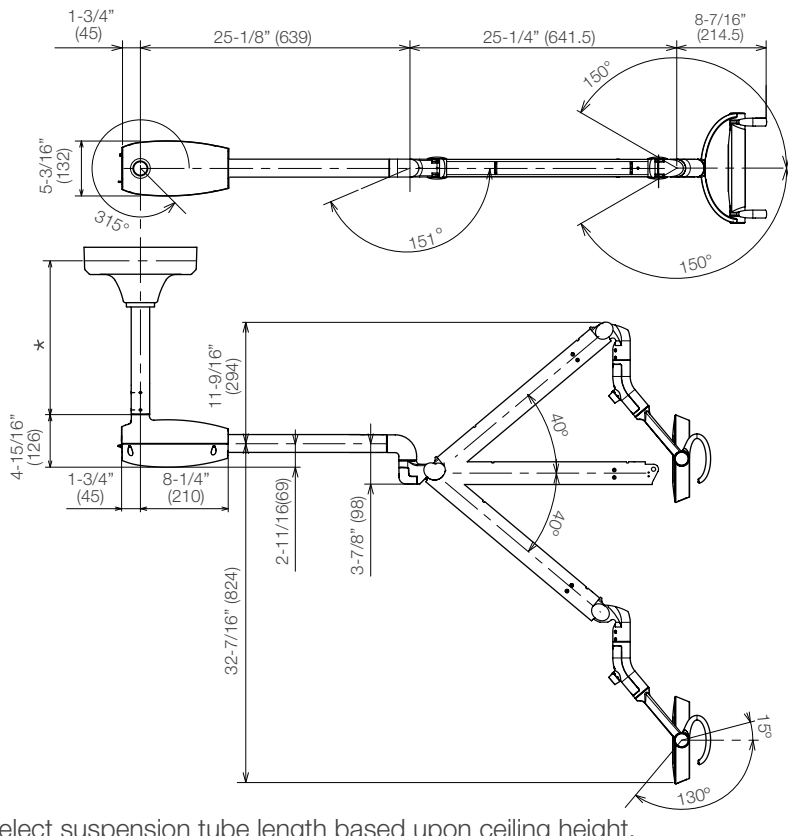
AL-D241G / AL-D241W



Unit : inch (mm)
Tolerance in dimensions: ±10%



AL-D242G

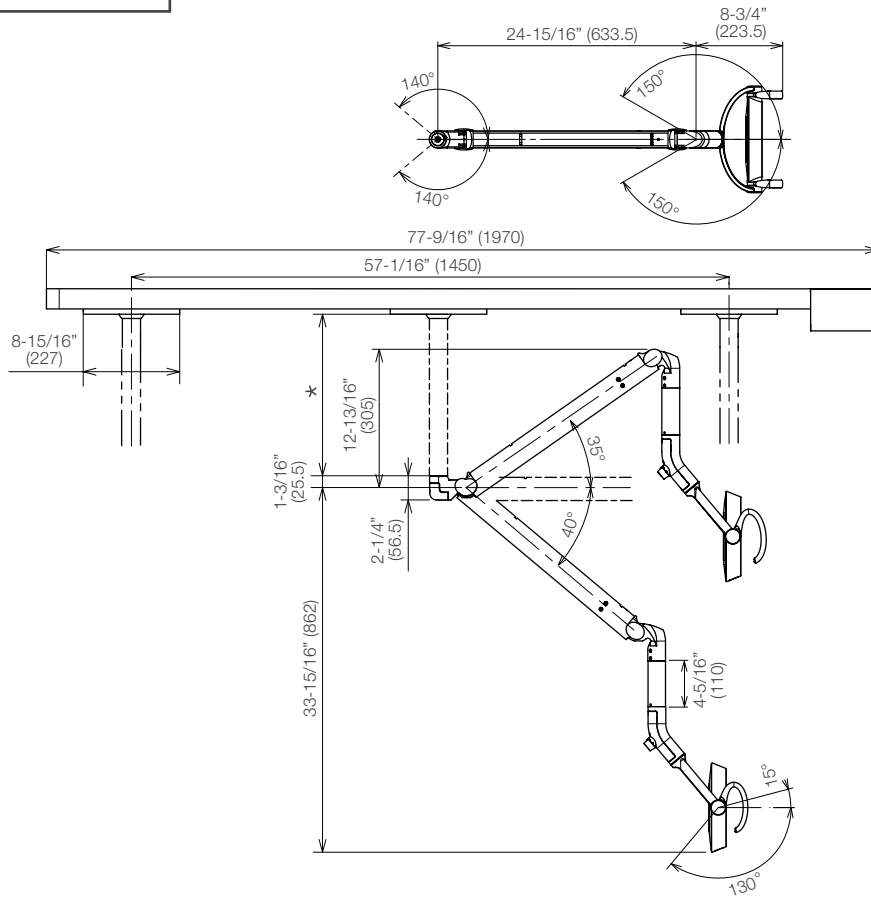


*Select suspension tube length based upon ceiling height.

The specification is subject to change without notice.

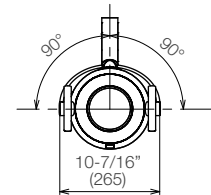
4 Specifications of the Product

AL-D245G

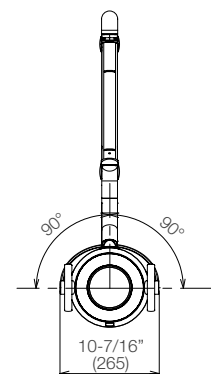
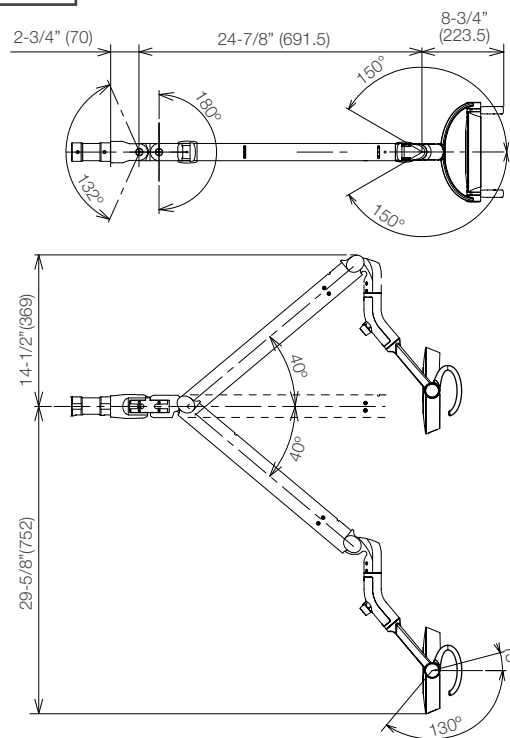


Unit : inch (mm)
Tolerance in dimensions: $\pm 10\%$

*Select suspension tube length based upon ceiling height.



AL-D246G / AL-D249W

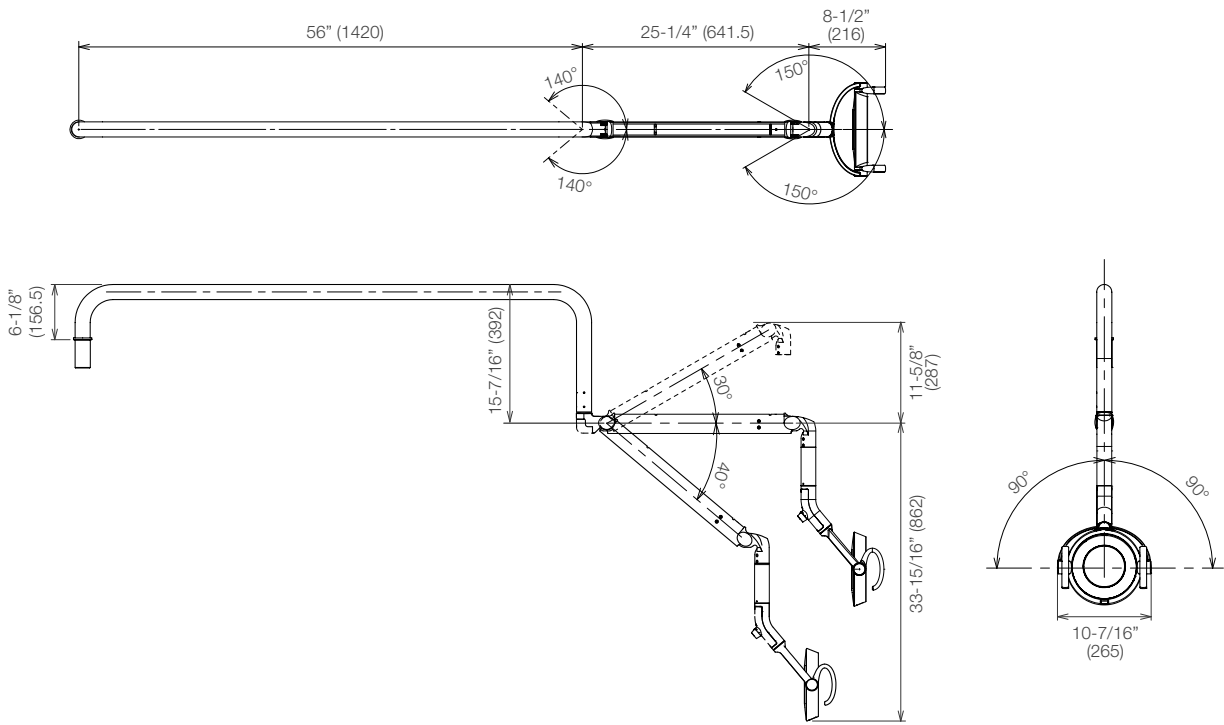


The specification is subject to change without notice.

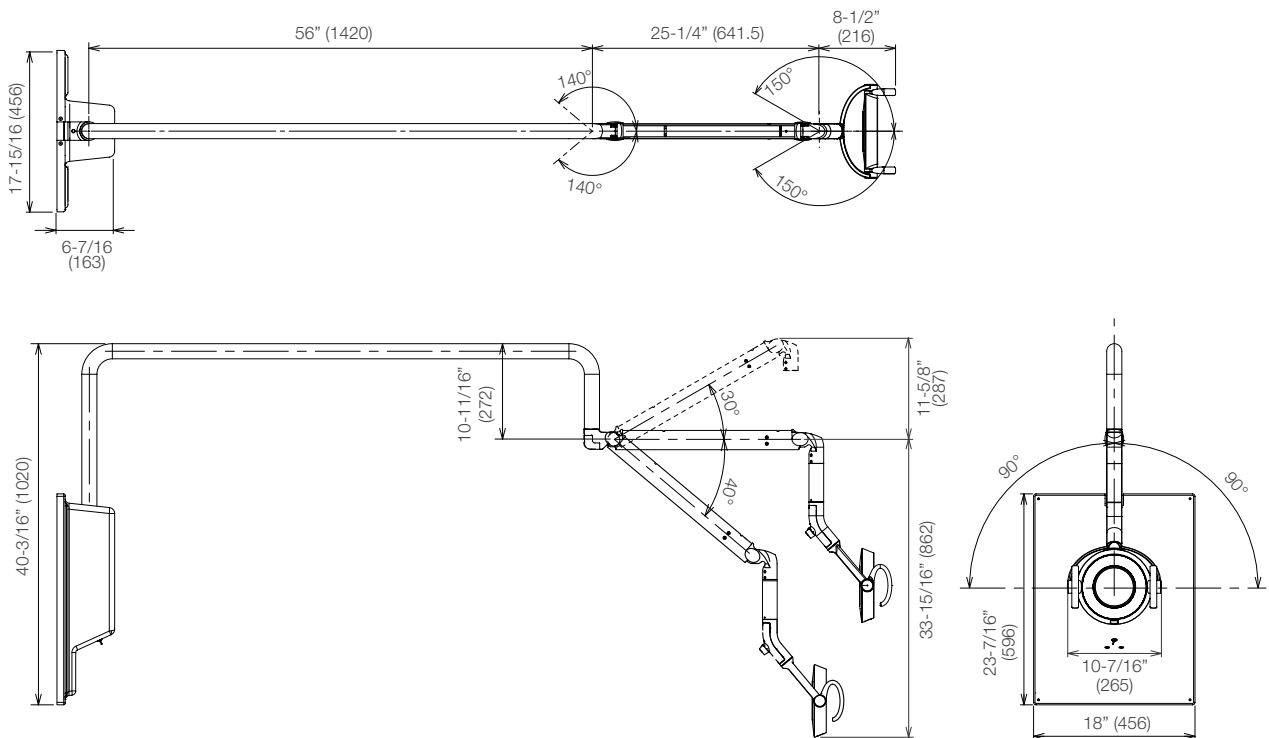
4 Specifications of the Product

AL-D247G

Unit : inch (mm)
Tolerance in dimensions: $\pm 10\%$



AL-D248G

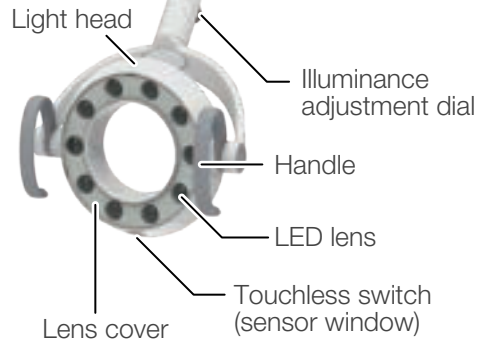
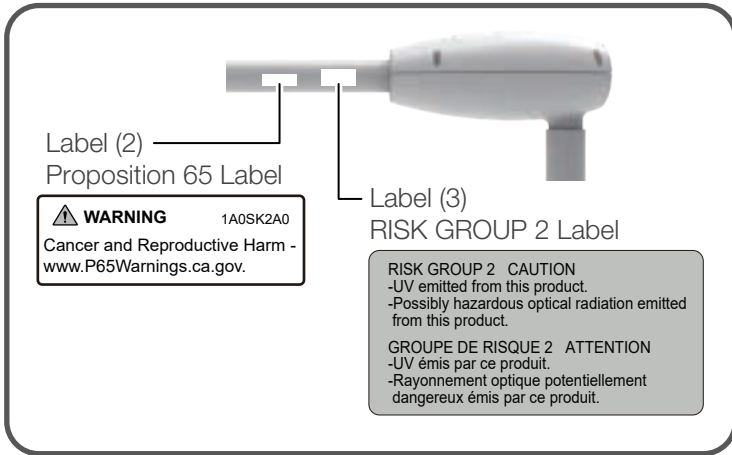
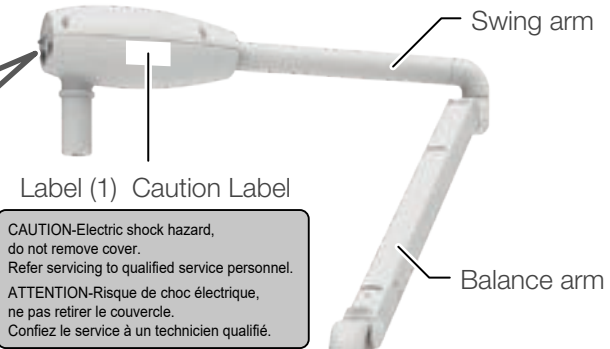
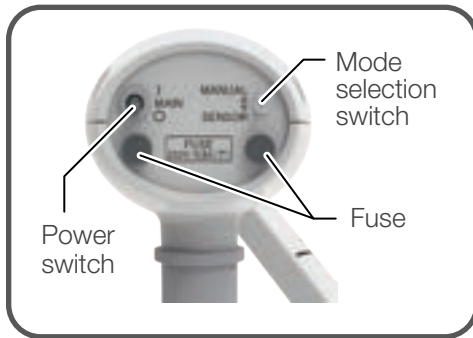


The specification is subject to change without notice.

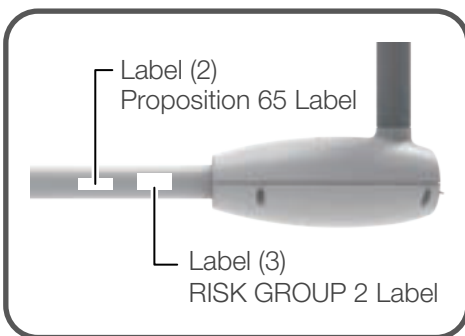
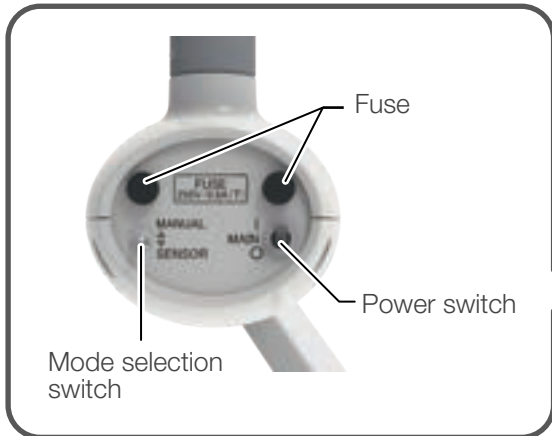
4 Specifications of the Product

4-2 Major Components

AL-D241G / AL-D241W

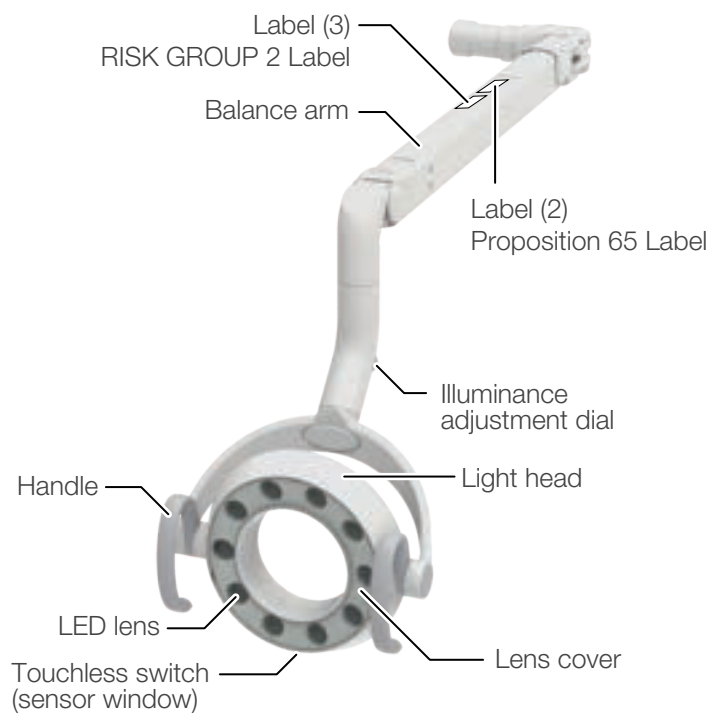
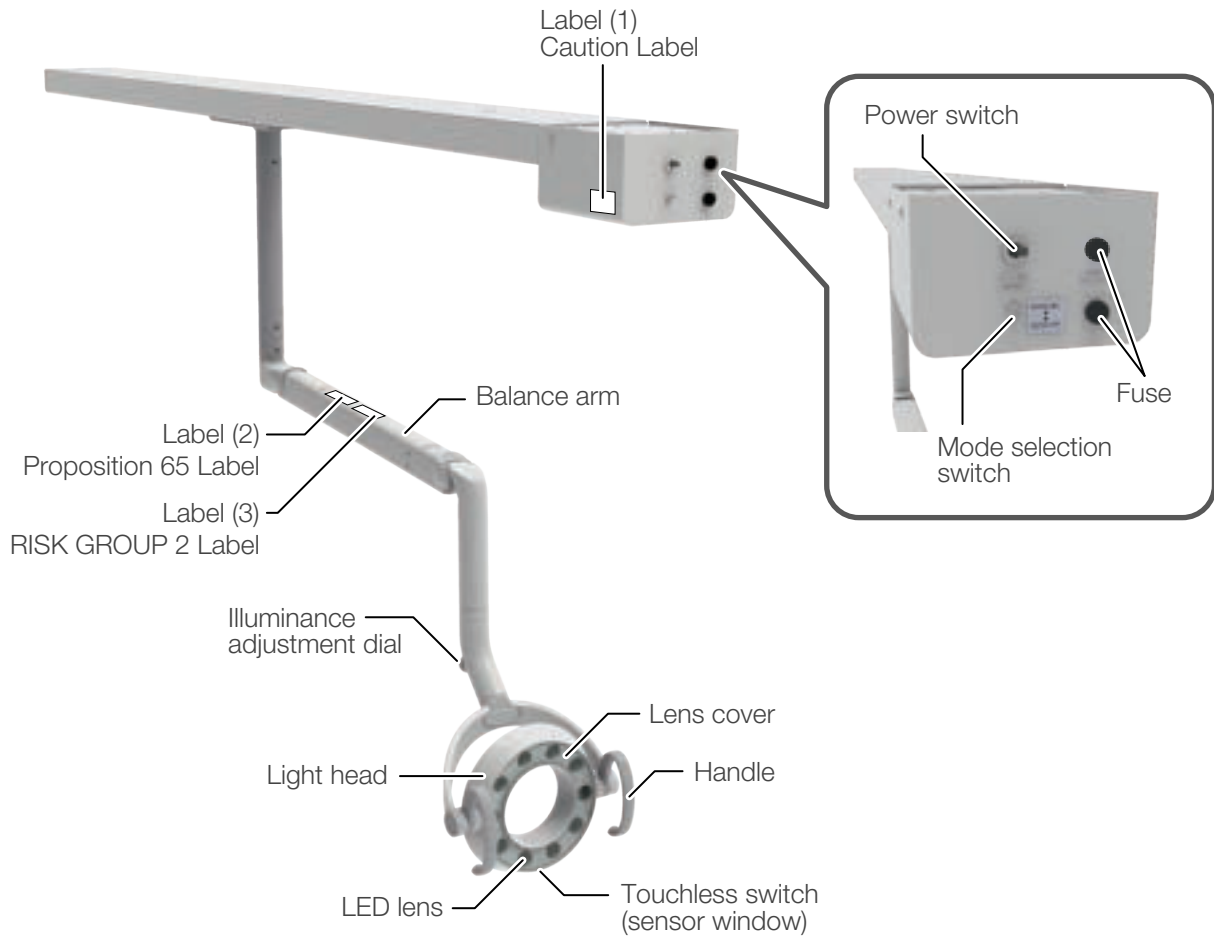


AL-D242G



4 Specifications of the Product

AL-D245G



《AL-D246G-QU》



Mode selection switch

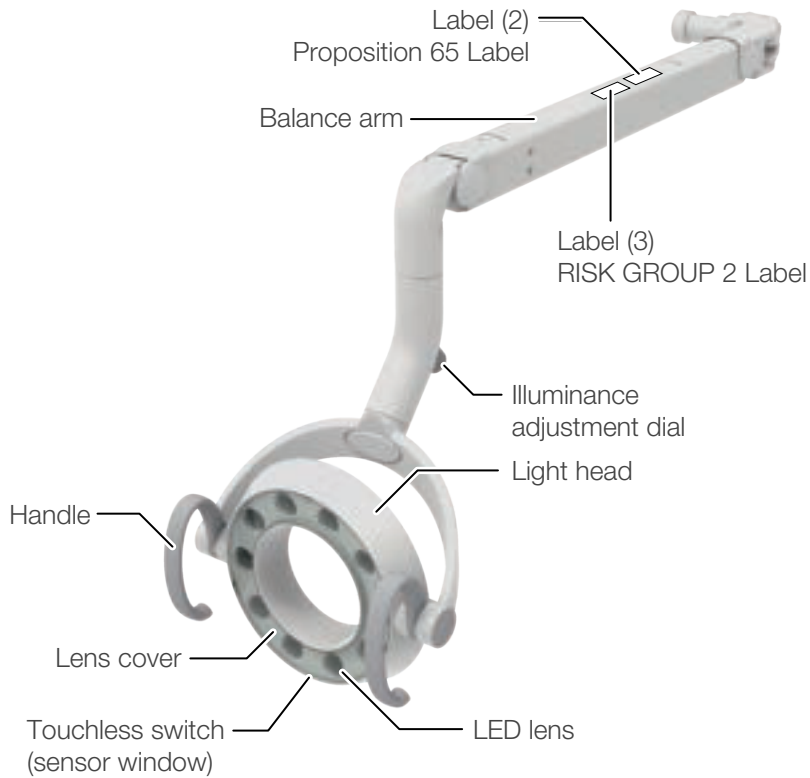
《AL-D246G-EV》



Mode selection switch

4 Specifications of the Product

AL-D249W

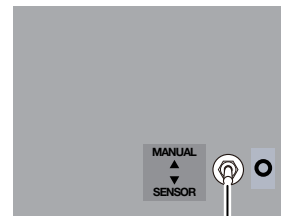


《AL-D249W-X》

Mode selection switch

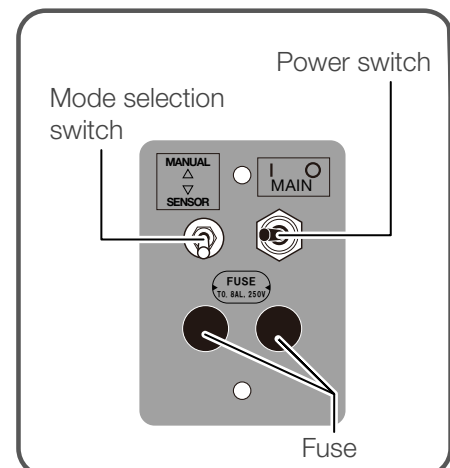
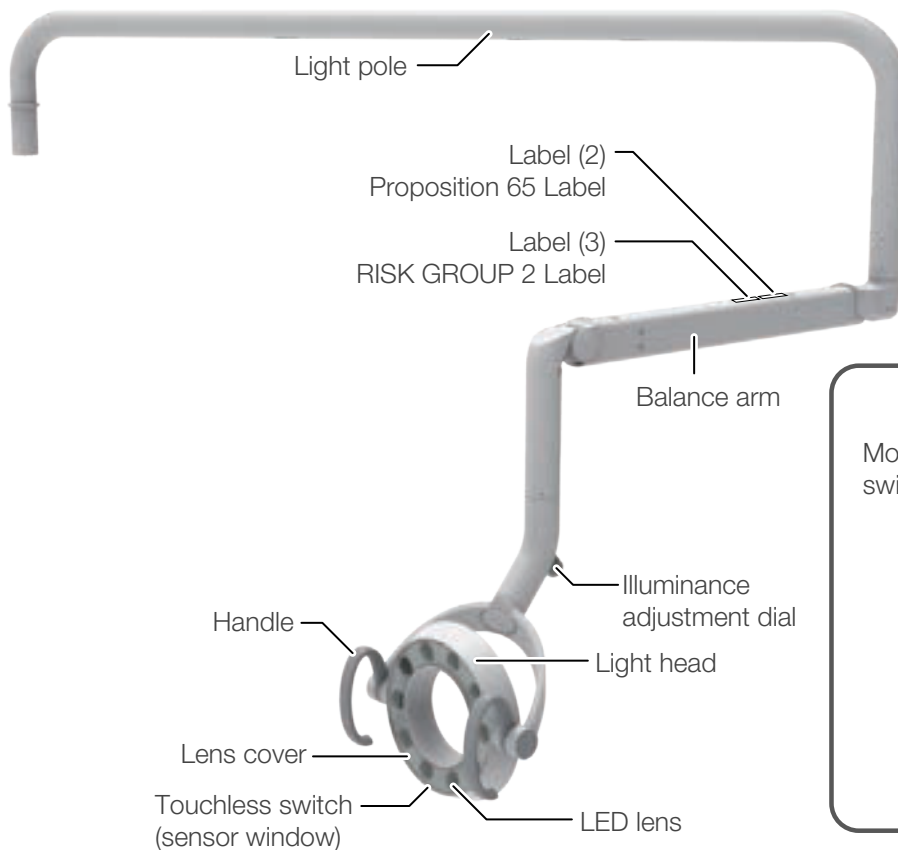


《AL-D249W-XN》



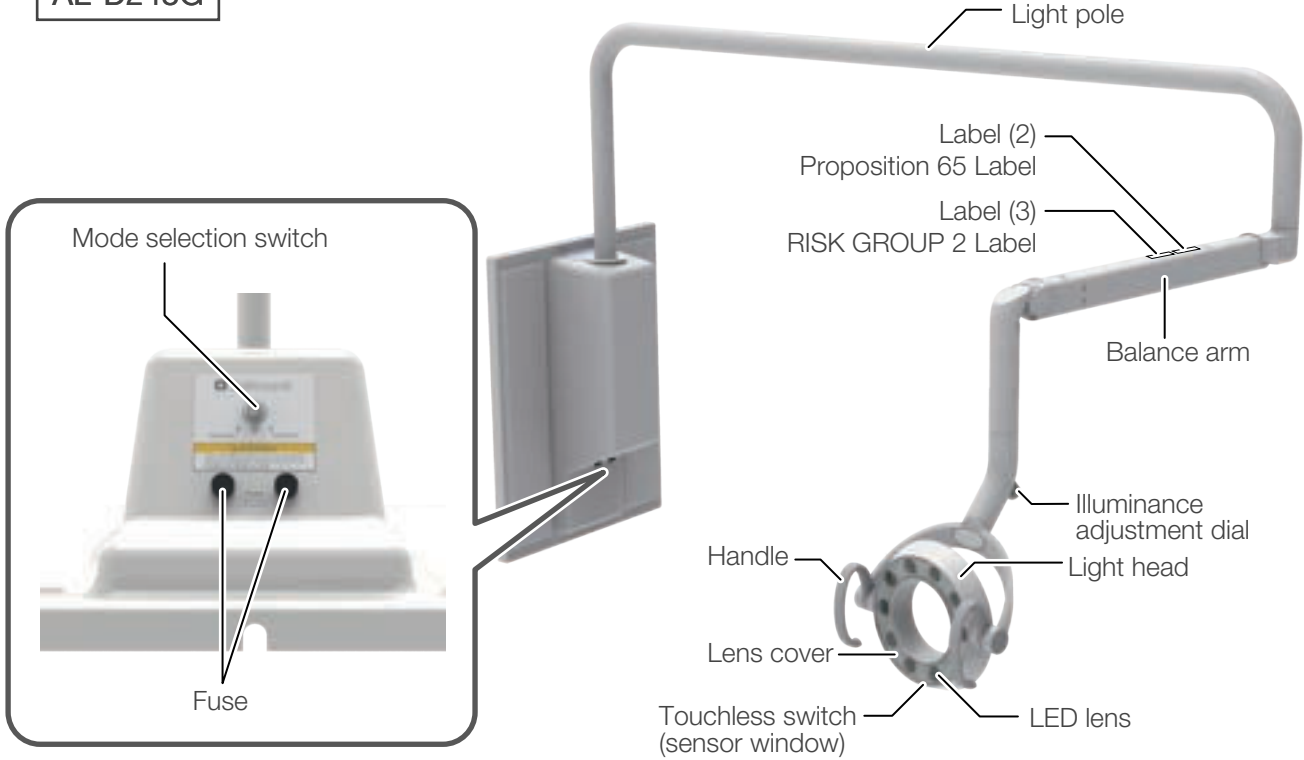
Mode selection switch

AL-D247G



4 Specifications of the Product

AL-D248G



5 Operation

5-1 Description of Functions

In treatment mode

(8 LEDs ON)



In Composite Safe mode

(2 LEDs ON)



This product has a treatment mode and a Composite Safe mode.

Treatment mode :

For use in normal procedure; the illuminance can be adjusted from 5,500 to 39,000 lx in a stepless manner.

Composite Safe mode :

For preventing the rapid curing of photocurable composite resin used for dental filling; the illuminance is reduced to 7,500 lx, and the light color changes to orange.

This product is equipped with a touchless switch, enabling users to turn the light on and off and switch modes without touching the product. The touchless switch can be manually operated within the sensor coverage (within approx. 2-9/16inch (65mm) from the surface of the sensor window and within the width of the sensor window).

5-2 Operating Methods

(1) Method for turning on the power

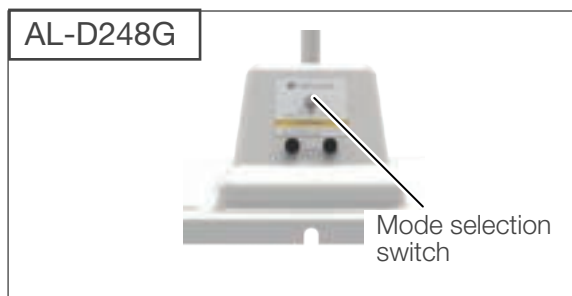
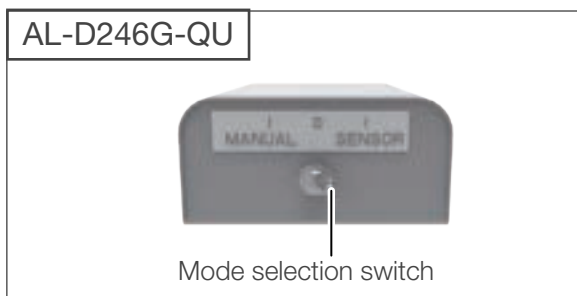
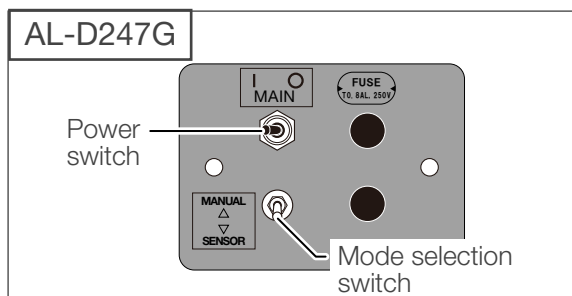
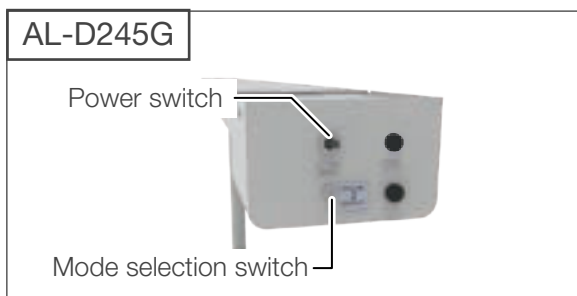
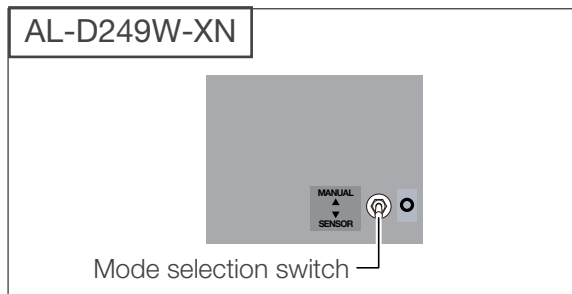
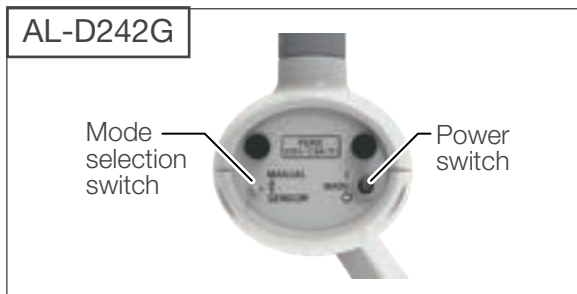
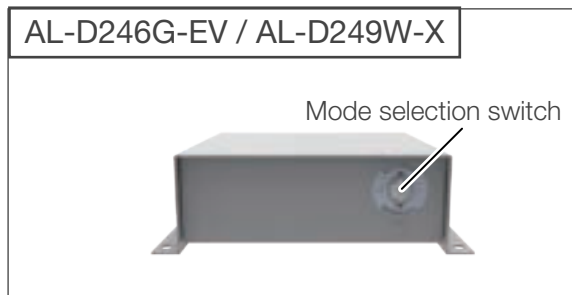
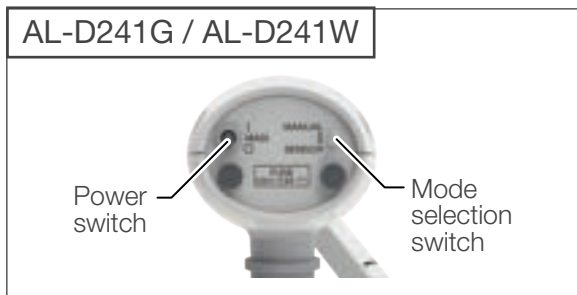
AL-D241G / AL-D241W / AL-D242G /
AL-D245G / AL-D247G

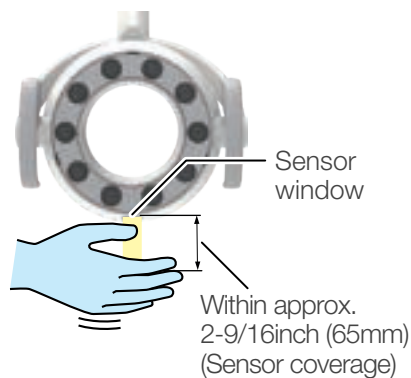
Turn on the power switch to turn on the light, and operate the touchless switch in the light head and the illuminance adjustment dial.

AL-D246G / AL-D248G / AL-D249W

Turn on the main switch of the dental operating unit to turn on the light, and operate the touchless switch in the light head and the illuminance adjustment dial.

Turn off the main switch of the dental operating unit to turn off the light. For the procedure to switch on the dental operating unit, see the instructions for use of the dental operating unit.





(2) Method for turning the light on/off

Move your hand across the sensor coverage while the light is off to activate the sensor and turn on the light in the treatment mode.

Move your hand across the sensor coverage while the light is on to turn it off.

(3) Method for switching modes

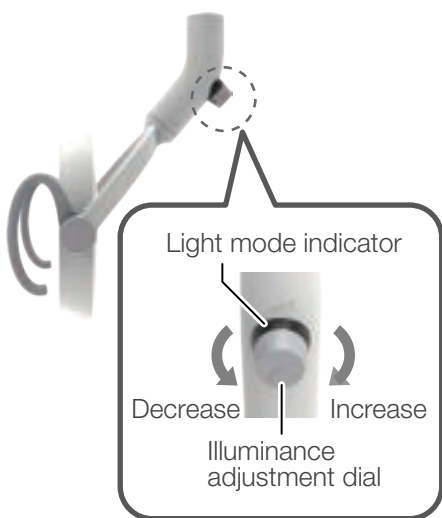
Hold your hand within the sensor coverage for approx. 2 seconds while the light is on in the treatment mode to switch to the Composite Safe mode.

Hold your hand within the sensor coverage for approx. 2 seconds while the light is on in the Composite Safe mode to switch to the treatment mode.

* If the light is turned off in the Composite Safe mode, the light is switched to the treatment mode when it is turned on the next time.

* Light mode indicator blinks green on at Composite Safe mode.

The sensor of the touchless switch may be slow to respond to dark colors. Avoid the use of gloves in thick colors.



(4) Method for adjusting illuminance in the treatment mode

While the light is on in the treatment mode, the illuminance can be adjusted in a stepless manner from 5,500 to 39,000 lx by turning the illuminance adjustment dial. The illuminance can be increased by turning the dial clockwise, and decreased by turning it counterclockwise.

* The illuminance cannot be adjusted while the light is on in the Composite Safe mode.

(5) Method for nullifying the sensing function

Nullify the sensing function by Mode selection switch [Page 24]

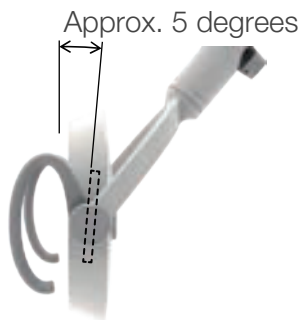
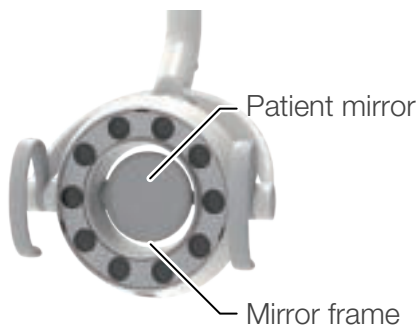
SENSOR : sensor activated (normal use)

MANUAL : sensor disabled

The light illuminates at maximum illuminance under the treatment mode. When the light malfunctions or is not needed, use the MANUAL mode.

○ : Power off
(AL-D246G / AL-D248G / AL-D249W-X)

5-3 How to Use the Patient Mirror



The patient mirror is used to show the inside of the oral cavity to the patient.

The patient mirror can be turned 360 degrees, and can be used at any angle.

When the mirror is turned gently, it stops at an angle of approx. 5 degrees above the patient, enabling the patient to see inside his/her oral cavity.

CAUTION

Do not apply strong impact to the patient mirror, such as hitting it with a hard object. Otherwise, the patient mirror may be damaged, causing injury.

Do not remove the mirror frame that holds the mirror. Otherwise, the mirror may fall, causing damage or injury.

6-1 Cleaning and disinfection

Take care of the product after use to maintain it in a clean state for use.

Cleaning and disinfecting the surfaces

To clean and disinfect the exterior of the product, wipe the surface with a soft cloth or paper towel saturated with disinfectant. As an example of disinfectant solutions for cleaning, use OPTIM33TB manufactured by SciCan.

If the exterior is excessively dirty, moisten a soft cloth with water containing approx. 10% of neutral detergent, and wipe the exterior with the cloth. Then, wipe it with a cloth moistened with water and dry it completely with a dry cloth.

Never conduct any of the following acts during care. In particular, any of the following acts performed on the lens cover may not only cause damage or staining, but also compromise the optical performance.

Use of the following items

Thinner, butanol, isopropyl alcohol, enamel remover, gasoline, kerosene or other volatile agents; acid, alkaline or chlorine-based detergents; disinfectants with strong metal corrosiveness (e.g., povidone iodine, sodium hypochlorite); waxes containing abrasive; sponges containing abrasive; etc.

Use of (scrub) brushes

May damage the product or render stains unremovable.

Leaving water or residual water containing cleanser on the product

May cause rust and failure in electrical parts.

Direct spraying of cleanser, etc.

Clean the surface with a soft cloth or paper towel moistened with detergent, and wipe it dry with a cloth. If liquid enters the product, it may cause a malfunction or failure.

Confirm that the detergent has completely dried off before activating the product.

WARNING

Turn off the power switch or turn off the main switch of the dental operating unit before care. Otherwise, electric shock or combustion may result.

Do not wash the product with water. Otherwise, failure or electric shock may result.

Perform sufficient cleaning. Insufficient cleaning may cause bacteria to grow and pose a health risk.

6 Maintenance and Cleaning

6-2 Maintenance and Inspection

Notes on daily maintenance and inspection (by the user)

It is the responsibility of the user (medical institution) to ensure that the medical device is correctly maintained and inspected. To ensure safe use of this product, the light must be inspected at the specified intervals as described in the table below:

If the product does not operate normally, immediately stop using the product, turn off the power switch or turn off the main switch of the dental operating unit, and contact your local authorized Belmont dealer.

No	Inspection item	Inspection frequency	Inspection method & diagnosis	Possible result of not implementing inspection	Maintenance required if a problem is identified in inspection
1	Operation check of touchless switch	Every time (before work)	The light can be turned on/off and switches modes normally.	The unit may not operate normally.	Flip the Mode selection switch toward SENSOR. [Page 25] Clean the sensor window of the touchless switch using a soft cloth. If the problem is not solved after cleaning, contact your local authorized Belmont dealer.
2	Operation check of illuminance adjustment dial	Every time (before work)	The illuminance can be adjusted using the illuminance adjustment dial.	The unit may not operate normally.	Turn off the power switch or turn off the main switch of the dental operating unit, stop using the product, and contact your local authorized Belmont dealer.
3	Lifting/lowering check of the arm part	Every time (before work)	The arm part can be lifted/lowered and stopped at any point. (It should not slide down or jump up.)	The arm part cannot be fixed in the intended position, resulting in the risk of an accident.	Contact your local authorized Belmont dealer.
4	Turning/stop check of the light head part	Every time (before work)	The light head part can be turned upward/downward, and can be stopped at any point.	The light head part cannot be fixed in the intended position.	Contact your local authorized Belmont dealer.
5	Turning check of the light head	Every time (before work)	The light head part can be turned to the left and right, and is stopped at a range of 150 degrees to the left or right.	If the turning of the light head part cannot be stopped, disconnection may result.	Contact your local authorized Belmont dealer.
6	Movement of the trolley (AL-D245G)	Every time (before work)	Check the trolley runs smoothly.	The light head part cannot be fixed in the intended position.	Contact your local authorized Belmont dealer.
7	Stability of the rail (AL-D245G)	Every time (before work)	Check the rail does not wobble when the trolley is run.	The light may fall if the rail is not secured to the ceiling.	Contact your local authorized Belmont dealer.
8	Check of movable parts	Every time (before work)	When each movable part is moved, no noise, wobbliness or other errors are observed.	The product may not operate normally, resulting in the risk of an accident.	Turn off the power switch or turn off the main switch of the dental operating unit, stop using the product, and contact your local authorized Belmont dealer.
9	Patient mirror	Every time (before work)	Check crack of the mirror surface.	A mirror crack may advance to breakage and it may cause injury with a fragment.	Contact your local authorized Belmont dealer.
10	Removal of stain and chemicals	Every time (after work)	Clean the entire product, whether or not there are any stains or chemicals adhered.	Discoloration, deterioration or damage to the resin parts, etc. may result.	Clean the product in accordance with the "Cleaning and disinfection" [page 27].
11	Other	Once every week	Make sure that no abnormal noise occurs when the product is operated.	The unit may not operate normally.	Turn off the power switch or turn off the main switch of the dental operating unit, stop using the product, and contact your local authorized Belmont dealer.

WARNING

Be sure to implement daily maintenance and inspection, referring to these instructions.

Use without implementing daily maintenance and inspection may result in injury or damage to the surrounding devices/equipment.

Notes for periodic inspection

The product contains parts that stop functioning or wear depending on the use frequency, and therefore it is important to carry out maintenance in a periodic inspection once a year (including replacement of consumables) and safety checks. Service parts required for the periodic inspection (including consumables) are listed in the table below. However, depending on the specifications of your device, there may be alternative parts available that differ from those listed in the table below.

Maintenance and inspection can be outsourced to qualified persons such as authorized repairers of medical devices. If you have any question about periodic inspection, contact your local authorized Belmont dealer.

Table of maintenance parts/sections that require periodic inspection

Part name	Standard service life	Part name	Standard service life
Moving part	7 yrs	Boards	5 yrs
Illuminance adjustment part	7 yrs	Electric wiring part	4 yrs
Arm part spring	7 yrs	Trolley (AL-D245G)	4 yrs
Switches	5 yrs		

List of consumables that require periodic inspection

Part name
Lens cover

WARNING

Always entrust periodic inspection to your local authorized Belmont dealer.

If you do not carry out periodic inspection, use of the product may cause injury or damage to nearby devices.

6-3 Storage Instructions

If the product is not to be used for a long time at the time of closing or at the time of closure, be sure to turn off the power switch or turn off the main switch of the dental operating unit.

7-1 After-sales Service

When you request for repair

Refer to 'Troubleshooting' [from Page 32 on] before you check the device. If the problem persists, turn off the power switch or turn off the main switch of the dental operating unit, and contact your local authorized Belmont dealer to request a repair.

7-2 Service Life

The service life of this product is 10 years on condition that maintenance and inspection are properly conducted [according to our self-certification (our data)].

However, the standard service lives of service parts that require periodic inspection vary according to the part.

[Page 30]

7-3 Period of Parts Retention

We hold service parts such as consumables for products for 10 years from the time of launch.

* Service parts are parts required for repair to return the product to the original state and functions or to maintain its functions.

8 Troubleshooting

8-1 Troubleshooting

If you encounter any of the problems listed below, take the countermeasures described below before requesting a repair. If the problem persists even after troubleshooting, stop using the product immediately, turn off the power switch or turn off the main switch of the dental operating unit, and contact your local authorized Belmont dealer.

Trouble	Check point	How to handle
The light is not turned on.	Are the power switch or main switch of the dental operating unit ON?	Turn on the power switch or turn on the main switch of the dental operating unit. [page 24]
The light is not switched on or off.	Are you holding your hand farther than 2-9/16inch (65mm) from the surface of the sensor window?	Hold your hand within 2-9/16inch (65mm) from the surface of the sensor window. [page 25]
	Is the surface of the sensor window stained?	Clean the surface of the sensor window. [page 27]
	Is the sensor disabled?	Switch the sensor to activated. [page 25]
The light is turned on or off at an unintended time.	Is there an instrument with a mirror surface (e.g., a hand mirror) nearby?	Move the instrument with a mirror surface away.
The illuminance cannot be adjusted using the illuminance adjustment dial.	Is the unit in the Composite Safe mode?	Switch to the treatment mode. [page 25]
The light head cannot be moved gently (upward/downward or leftward/rightward turning).	Has the unit not been moved for several days?	Move the unit several times.

9 Accessories and Consumables

9-1 Accessories

- Instructions for Use (this document)
- Installation Instructions
- Adjustment rod (to be used for installation)

9-2 Consumables

Consumables are parts that will normally wear or deteriorate, change their appearance, or become damaged after use. Please note that repair or replacement of consumables are not covered by the warranty and will be charged for.

(* Degree of wear, deterioration or damage and timing for replacement depends on the use environment and conditions at the customer's premises.)

Consumables (Parts listed below are out of the guarantee coverage and charged parts.)

- Lens cover

Scratches or stains on the exterior parts (including metal parts or resin parts), deterioration or discoloration thereof, etc. are not covered by warranty.



Importer in U.S.A.

BELMONT EQUIPMENT,

Division of Takara Belmont USA, Inc

101 Belmont Drive, Somerset, New Jersey 08873 U.S.A.

TEL : (732) 469-5000 / (800) 223-1192

FAX : (732) 356-1035

Importer in Canada

TAKARA COMPANY, CANADA, LTD.

2455 Meadowvale Blvd. Mississauga, Ontario L5N 5S2, Canada

TEL : (905) 816-8965

www.belmont.ca

TAKARA BELMONT CORPORATION

2-1-1, Higashishinsaibashi, Chuo-ku, Osaka, 542-0083, Japan

TEL : +81-6-6213-5945

FAX : +81-6-6212-3680

