



BELRAY II
AC Intraoral X-ray

■ Bel-Ray II

AC Intraoral X-ray

Produces high quality radiographs while utilizing simple, intuitive controls.

Clear Imaging

Small 0.7mm focal spot for detailed imaging.

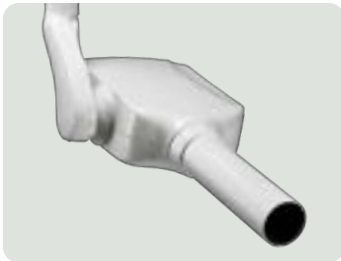
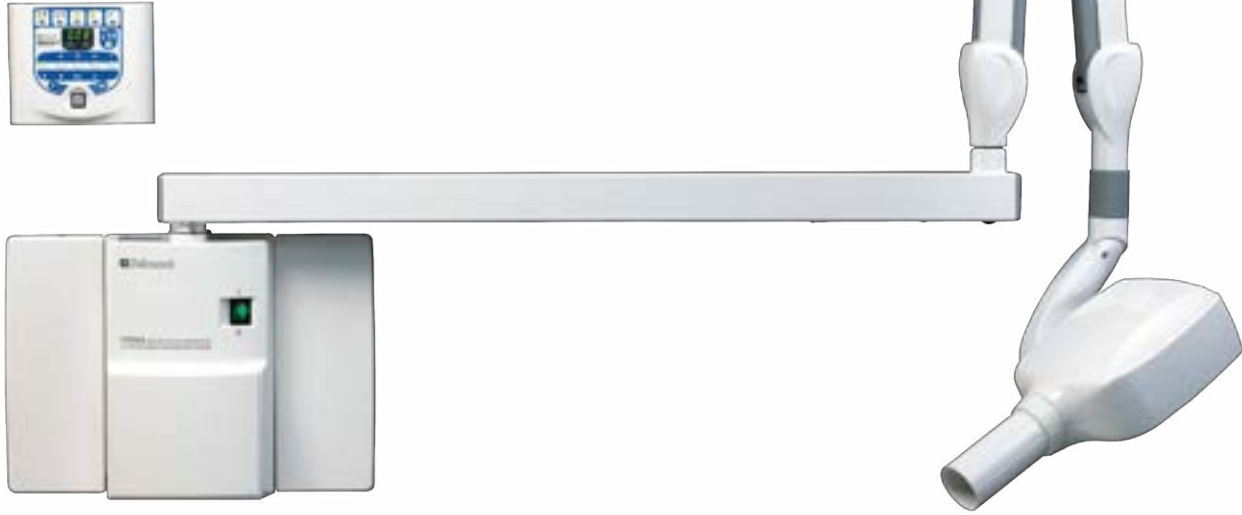
Control System

Easy to use and compact microprocessor control module includes mA selection, patient type, tooth type, cone type, film speed, exposure time and digital-ready selection switches.

Customizable Programming

Automatic and manual modes for optimal selection of parameters tailored for each patient and tooth type improves diagnostic imaging quality.





■ Practicality

Small x-ray head allows for perfect positioning.
Optional long cone ideal for paralleling film technique.



■ Control Module

Control module shown with optional coiled wire switch for remote activation.

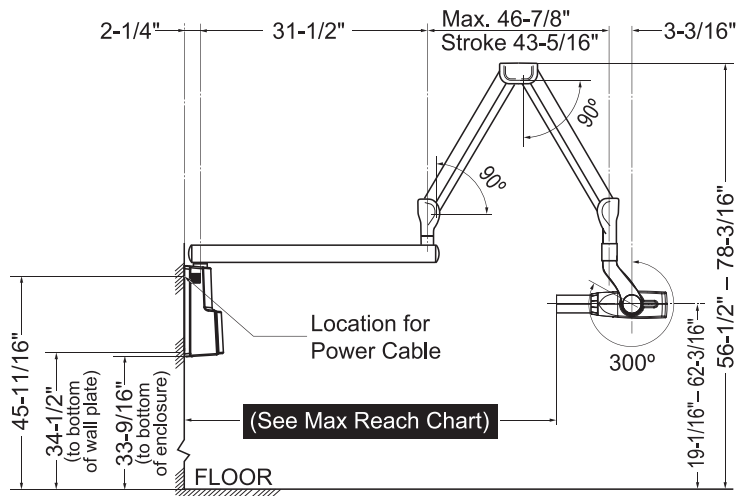


■ Mounting Options

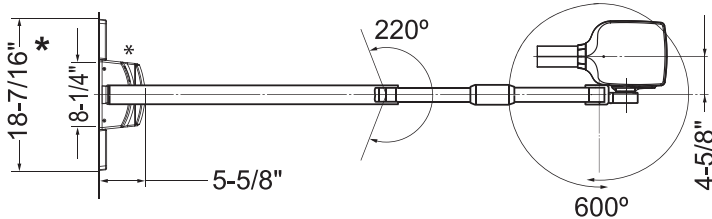
Bel-Ray II intraoral x-ray includes a standard mounting plate for wall attachment. Optional 4x4 stud mounting available for wall enclosures that permit the sharing of one x-ray between adjacent operatory rooms.

Dimensions:

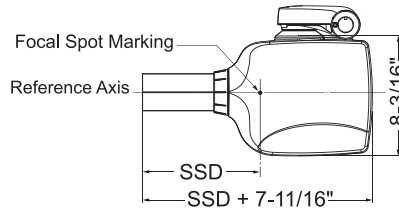
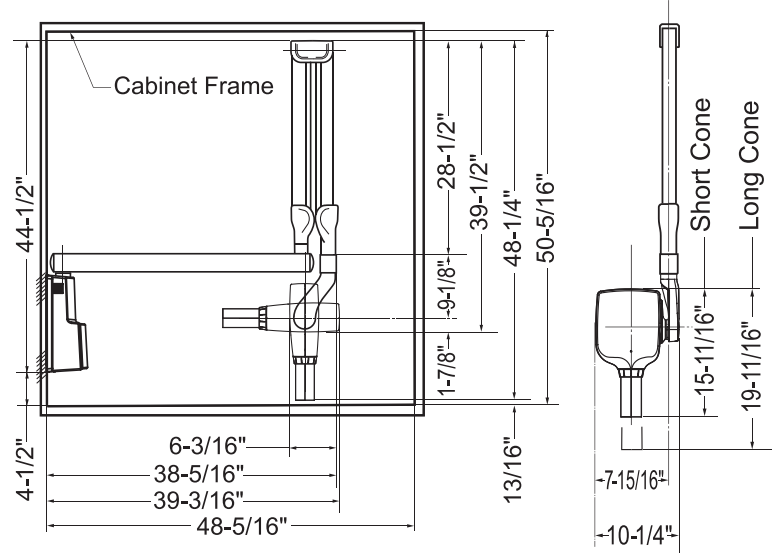
Wall Mount



Maximum Reach: 81-5/8" with 40.0" arm 61-5/8" with 20.0" arm
73-1/8" with 31.5" arm 53-5/8" with 12.0" arm



Pass-thru mount



SSD (Source to Skin Distance) :

- a. Regular cone-----8 inches (203 mm)
- b. Long cone-----12 inches (305mm)

SPECIFICATIONS

Fixed kV:	70 kVp
Focal Spot:	0.7 mm (IEC60336)
Voltage:	120 VAC
Rated Line Current:	6.5A at 70kVp, 7mA
Exposure Time:	0.02 - 3.2 Seconds
Minimum Filtration in Useful Beam:	2.2 mm Al Equivalent at 70kVp
Selectable mA:	4mA / 7mA
Source to Skin Distance (SSD):	Standard Cone: 8" Optional Long Cone: 12"
Additional Options:	Plate for 4x4 stud mounting Coiled wire remote switch Long Cone

Belmont Equipment
101 Belmont Drive
Somerset, NJ 08873
(800) 223-1192
www.belmontequip.com

Takara Company Canada Ltd.
2076 South Sheridan Way
Mississauga, ON
L5J 2M4, Canada
(800) 268-5351
dental.takarabelmont.ca

Belmont
Delivering Value in Quality

@BelmontEquipUS

