

 **TAKARA BELMONT**

CLESTA LIGHT

Halogen



Replacement Parts

Revision 4 – March 2021

Contents

3. Suspension Tubes
4. Head Section
5. Head Section
6. Head Section
7. Head Section
8. Head Section
9. Head Section
10. Arm Section Unit/Ceiling Mount
11. Arm Section Unit/Ceiling Mount
12. Arm Section Unit/Ceiling Mount
13. Arm Section Unit/Ceiling Mount
14. Transformer Housing Unit Mount
15. Transformer Housing Unit Mount
16. Transformer Housing Ceiling Mount
17. Transformer Housing Ceiling Mount
18. Transformer Housing Ceiling Mount
19. Ceiling Pole Section
20. Arm Section Track
21. Arm Section Track
22. Arm Section Track
23. Arm Section Track
24. Track Section
25. Track Section
26. Track Section
27. Track Section
28. Curved Post Unit Mount
29. Curved Post Unit Mount Manual/Sensor Box
30. Curved Post Unit Mount Transformer Box
31. Cabinet Mounted
32. Wall Mounted
33. Wall Mounted
34. Transformers

CEILING MOUNT SUSPENSION TUBES



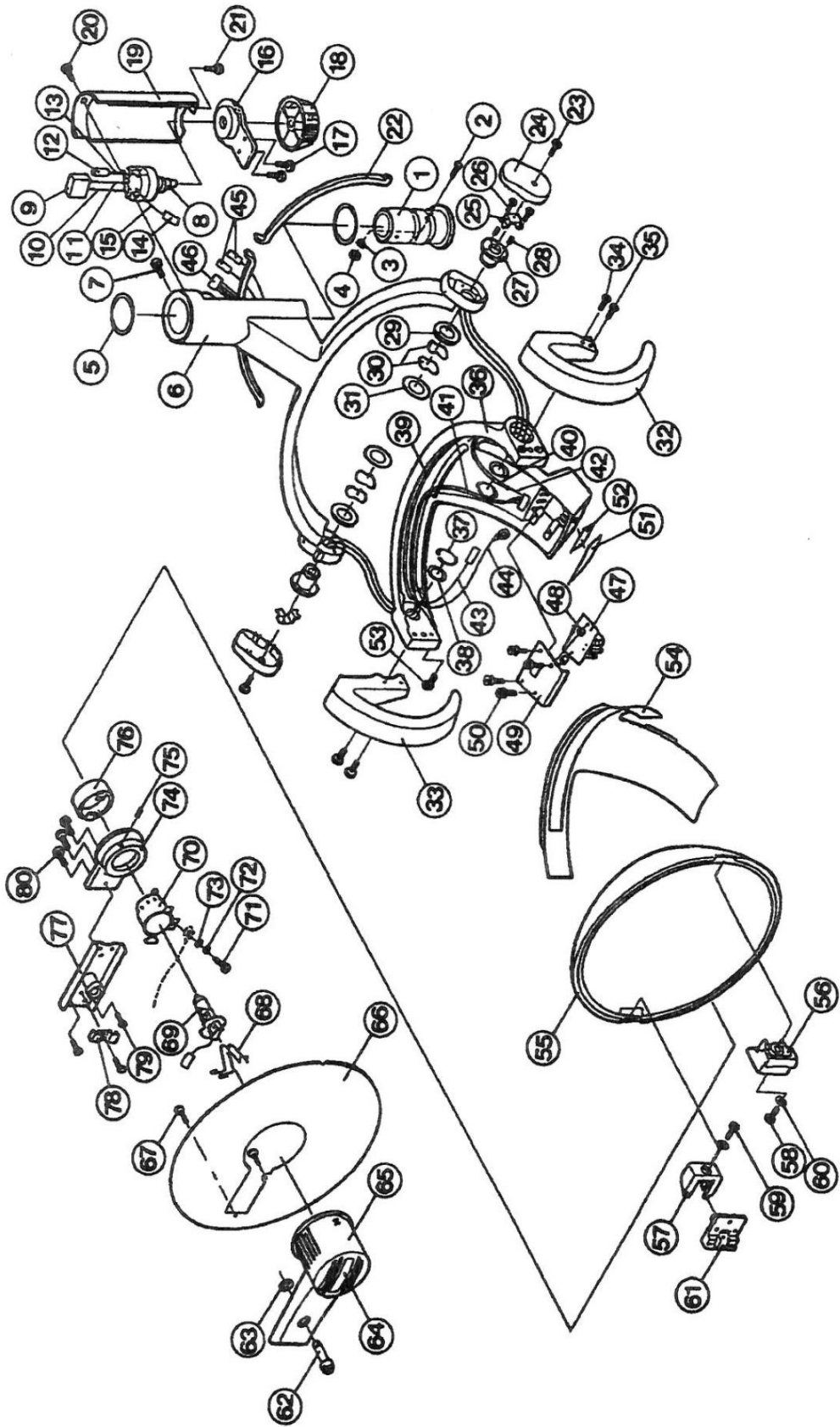
Part Number	For Operatory Ceiling Height	Post Length (Inches)
LPCC8	8 ft	13-3/8
LPCC8.5	8-1/2 ft	20
LPCC9	9 ft	26-3/4
LPCC9.5	9-1/2 ft	33
LPCC10	10 ft	39-3/8

TRACK LIGHT SUSPENSION TUBES



Part Number	For Operatory Ceiling Height	Post Length (Inches)
LPTT8	8 ft	15
LPTT8.5	8-1/2 ft	20-7/8
LPTT9	9 ft	26-3/4
LPTT9.5	9-1/2 ft	33
LPTT10	10 ft	39-3/8

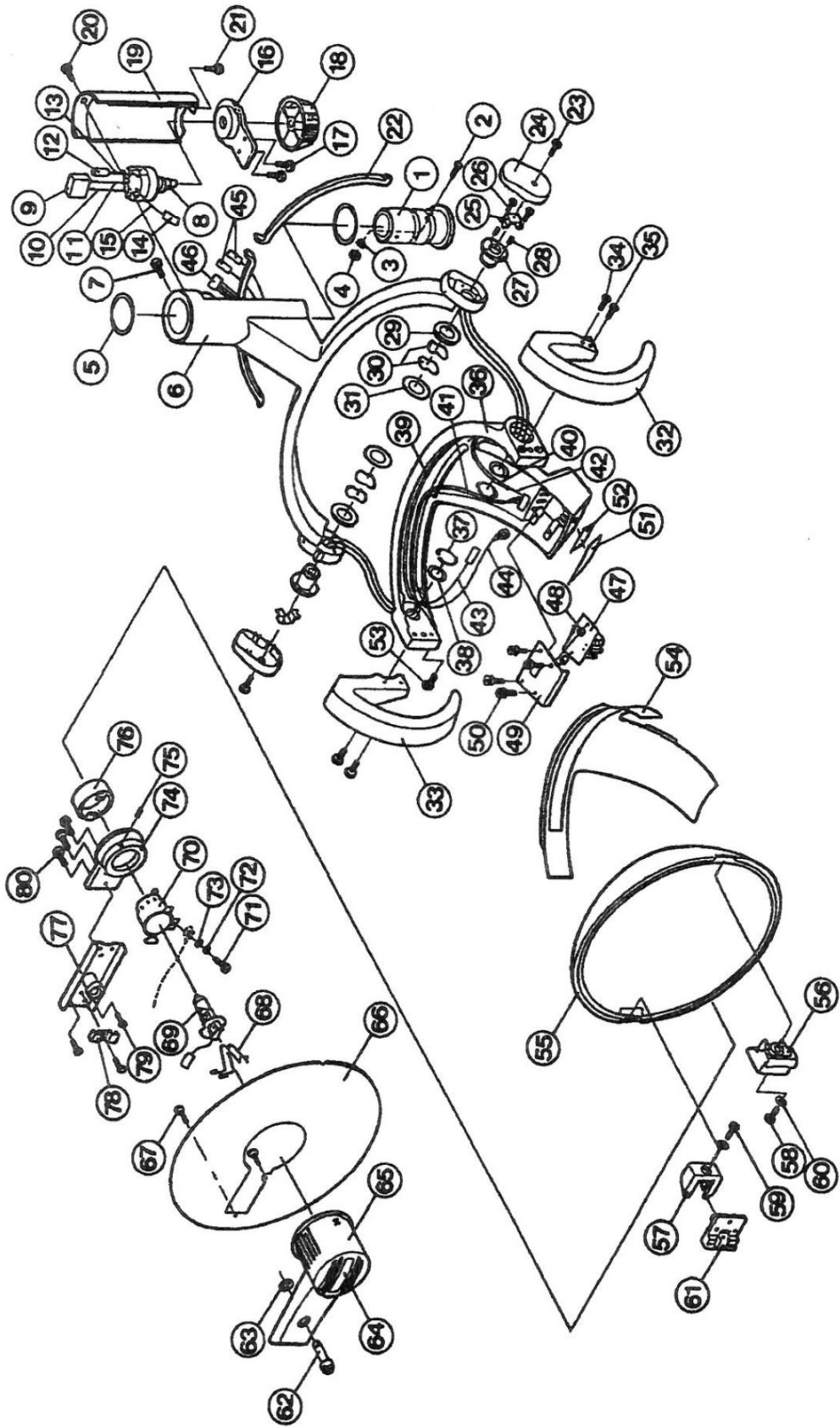
HEAD SECTION



HEAD SECTION - 1

NO.	PART NUMBER	DESCRIPTION
	501001	YOKE SHAFT ASSY. FOR CLESTA LIGHT (items 1 TO 4)
1	501002	YOKE SHAFT
2	501003	SCREW (M3 X 5)
3	501004	EXTERNAL TEETH WASHER
4	501005	NUT
5	501006	NYLON WASHER YOKE POST
6	501007	YOKE FOR CLESTA LIGHT
7	501008	YOKE SCREW FOR LIGHT HEAD CLESTA
	501009	INTENSITY SWITCH SET (items 8 TO 15)
8	501010	INTENSITY SWITCH
	501011	2P CONNECTOR & HARNESS (items 9 TO 11)
9	501012	2P CONNECTOR (FEMALE)
10	501013	HARNESS WITH CONNECTOR PIN
11	501014	HARNESS WITH CONNECTOR PIN
	501015	1P CONNECTOR & HARNESS (items 12 TO 13)
12	501016	1P CONNECTOR FEMALE
13	501017	HARNESS D WITH CONNECTOR PIN
	501018	1P CONNECTOR HARNESS C SET (items 14 TO 15)
14	501019	1P CONNECTOR (MALE)
15	501020	HARNESS C WITH CONECTOR PIN
16	501021	INTENSITY SWITCH BRACKET
17	501022	SCREW (M3 X 8) FOR CLESTA LIGHT
18	501023	INTENSITY SW. KNOB FOR CLESTA LIGHT
19	501024	YOKE COVER FOR CLESTA LIGHT
20	501025	SCREW (M3 X 6) FOR CLESTA LIGHT
22	501026	YOKE RUBBER COVER FOR CLESTA LIGHT
23	501027	SCREW (M3 X 5) FOR CLESTA LIGHT
24	501028	YOKE CUP FOR CLESTA LIGHT
25	501029	YOKE CUP BRACKET
26	501030	SCREW (M3-8)
27	501031	SHAFT FOR CLESTA LIGHT HEAD AL505
28	501032	SET SCREW (M3 X 10)
29	501033	WASHER (24 X 14.2 X 2.0)
30	501034	WAVY WASHER-SIDE OF YOKE
31	501035	WASHER (24 X 14.2 X 0.5) FOR CLESTA LIGHT
32	501036	HANDLE (RIGHT) FOR CLESTA LIGHT

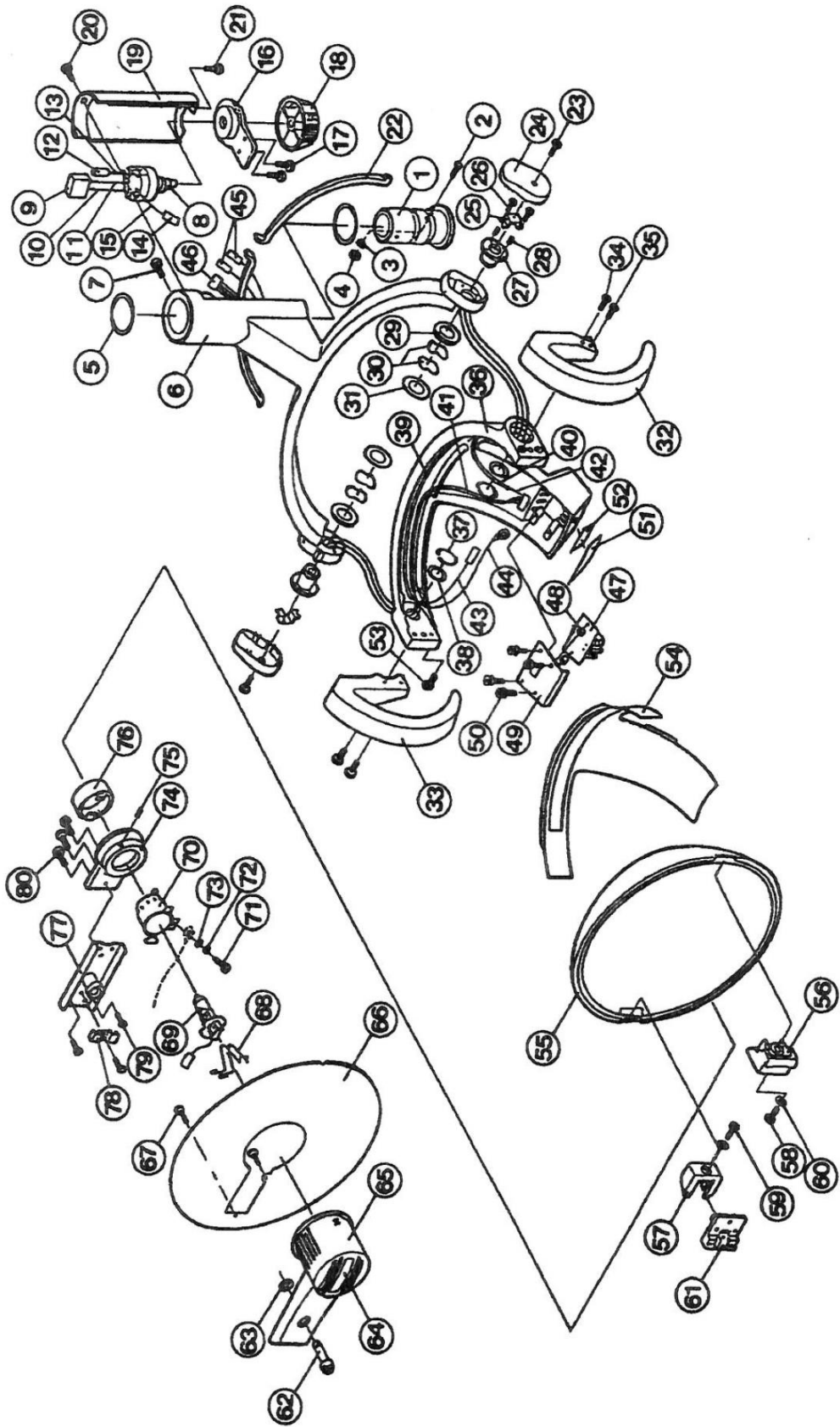
HEAD SECTION



HEAD SECTION - 2

NO.	PART NUMBER	DESCRIPTION
33	501037	HANDLE (LEFT) FOR CLESTA LIGHT
34	501038	SCREW (M4 X 18) FOR CLESTA LIGHT
35	501039	SCREW (M4 X 12) FOR CLESTA LIGHT
36	501040	BRACKET T FOR CLESTA LIGHT
37	501041	C-RING
38	501042	WASHER (18 X 14.2 X 0.25)
39	501043	SILICON TUBING (6-0.6) 300MM
40	501044	SILICON TUBING (2.5-0.4)
41	501045	SILICON TUBING (5-0.6) 210MM
42	501046	4P CONNECTOR (MALE) & HARNESS G SET
43	501047	HARNESS I W/CONNECTOR PIN & COVER
44	501048	HARNESS H W/CONNECTOR PIN
45	501016	1P CONNECTOR FEMALE
46	501049	4P CONNECTOR (FEMALE)
47	501050	TOUCHLESS SWITCH FOR CLESTA LIGHT
48	501051	SPACER
49	501052	ADIABATOR
50	501053	SCREW (M3 X 10)
	501054	TOUCHLESS SWITCH COVER SET (items 51 TO 52)
51	501055	TOUCHLESS SWITCH COVER
52	501056	TAPE
53	501057	SCREW (M4-12)
54	501058	PROTECT RUBBER SHEET
55	501059	REFLECTOR
56	501060	REFLECTOR HOLDER RIGHT
57	501061	REFLECTOR HOLDER LEFT
58	501062	SCREW (M4-20)
59	501039	SCREW (M4-12)
60	501063	WASHER
61	501064	REFLECTOR BRACKET
	501065	LAMP COVER SET (items 62 TO 65)
62	501066	LAMP COVER STOPPER
63	501067	STOPPER WASHER
	501068	LAMP COVER & PANEL (items 64 TO 65)
64	501069	PANEL
65	501070	LAMP COVER

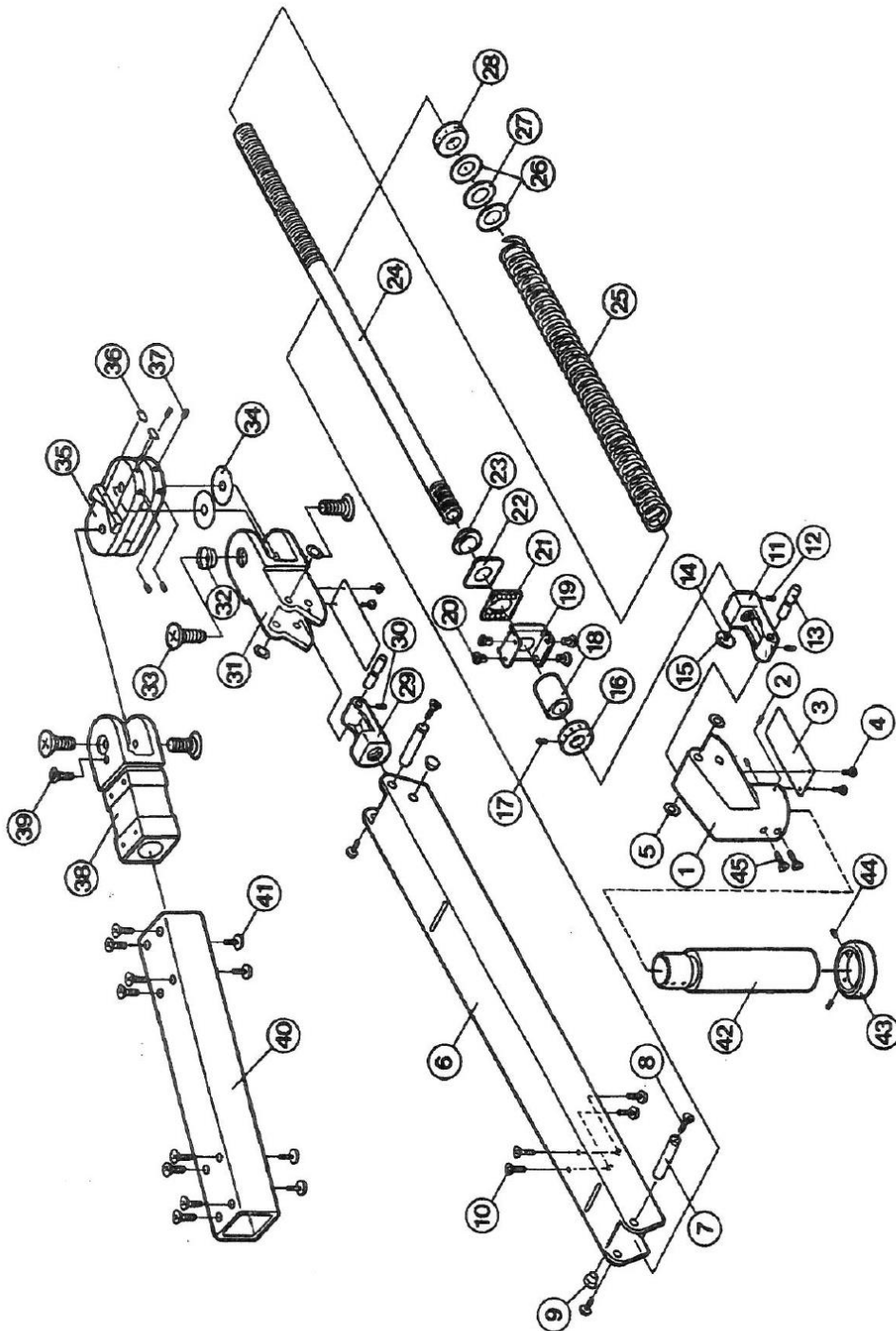
HEAD SECTION



HEAD SECTION - 3

NO.	PART NUMBER	DESCRIPTION
66	501071	FRONT SHIELD
67	501072	TAPPING SCREW (3-8)
68	501073	SPRING CLIP
69	L-6A	BULB 24V 60W
70	501076	LAMP SOCKET
71	501077	SCREW (M3-5)
72	501078	SPRING WASHER
73	501079	WASHER
	501080	LAMP SOCKET WITH SCREW (items 74 TO 75)
74	501081	LAMP SOCKET HOLDER
75	501082	SET SCREW (M3-0.5-6)
76	501083	SHIELD BOARD
77	501084	LAMP SOCKET HOLDER BRACKET WITH SPRING
78	501085	WIRE CLAMP
79	501086	SCREW (M4-6)
80	501087	SCREW (M4-8)
	501088	HEAD ASSY (items 1-80) for all models

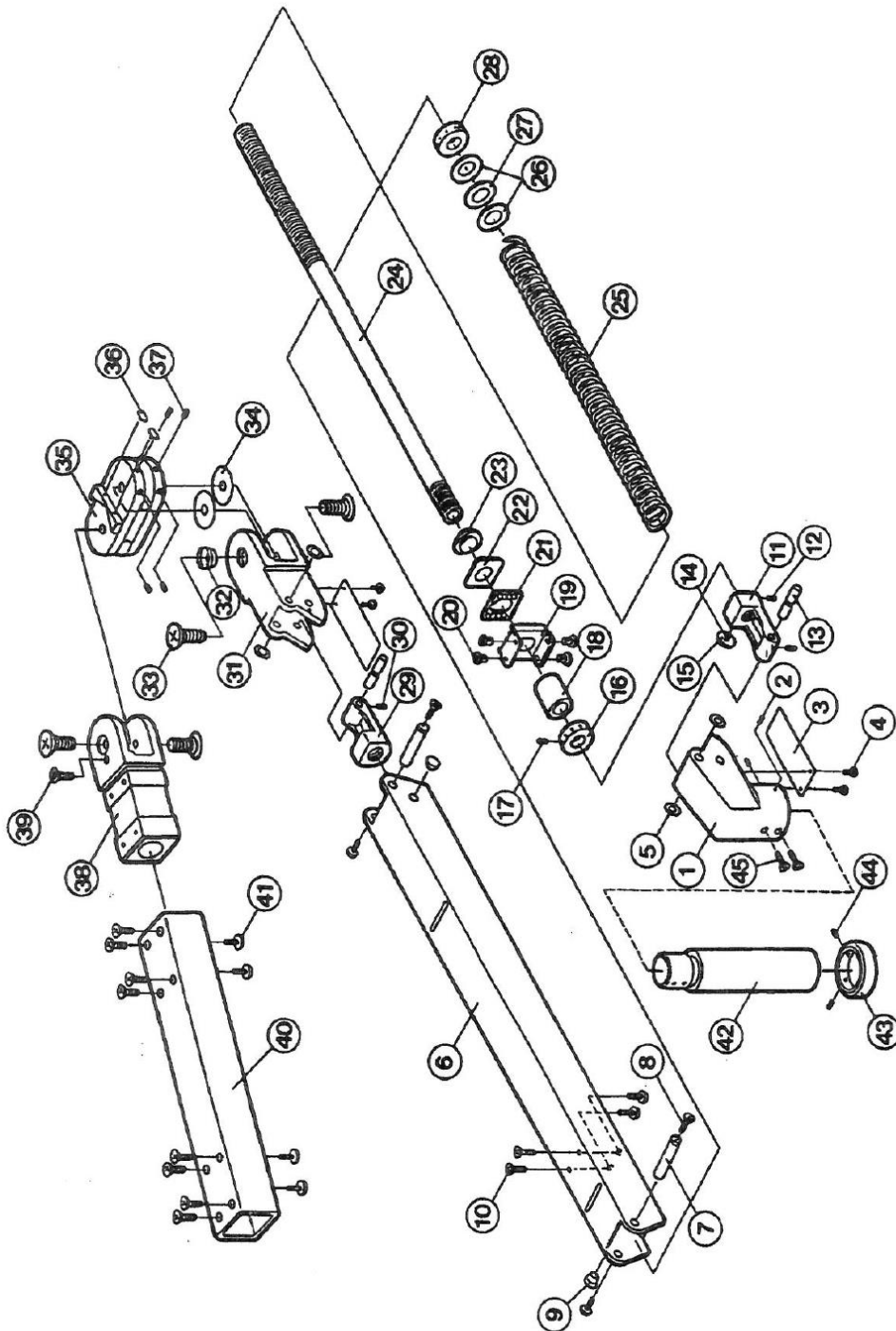
ARM SECTION



ARM SECTION UNIT/CEILING MOUNT - 1

NO.	PART NUMBER	DESCRIPTION
1	501101	YOKE BRACKET
2	501102	SET SCREW (M5-8)
3	501103	ARM KNUCKLE
4	501104	TAPPING SCREW (3-6)
5	501105	WASHER (14-8.5-0.8)
6	CAHC18ER	BALANCE ARM COVER
7	CAHC24C0	ARM KNUCKLE PIN
8	501108	SCREW (M4-10)
9	501109	CUP
10	501110	SCREW (M4-10)
11	501111	BRACKET FOR SPRING ARM ADJUTMENT
12	501112	SET SCREW (M5-5)
13	501113	PIN FOR BALANCE ARM
14	501114	BRAKE SHOE SCREW
15	501115	BRAKE SHOE
16	501116	NUT FOR ADJUSTING SHAFT
17	501117	SET SCREW (M4-5)
18	501118	COLLAR
19	501119	SPRING STOPPER A
20	501120	LOCK BUSH
21	501121	SPRING STOPPER B WITH BEARING 5/32
22	501122	SPRING STOPPER C
23	501123	SPRING STOPPER D
24	501124	SPRING ADJUSTMENT SHAFT
25	501125	BALANCE ARM SPRING
26	501126	WASHER (28-16. 8-1.2)
27	501127	WASHER (28-16. 8-1.2)
	501128	COLLAR (10-17-22)
28	501129	NUT FOR BALANCE ARM SPRING
29	501130	BRACKET FOR SPRING ARM ADJUTMENT SHAFT R
30	501112	SCREW (M5-5)
	501131	BALANCE ARM KNUCKLE SET (items 31 TO 32)
31	501132	BALANCE ARM KNUCKLE SET
32	501133	BUSH FOR BALANCE ARM KNUCKLE
33	HLU0070	COUNTERSINK SCREW
34	501135	WASHER (32-8.5-0.3)

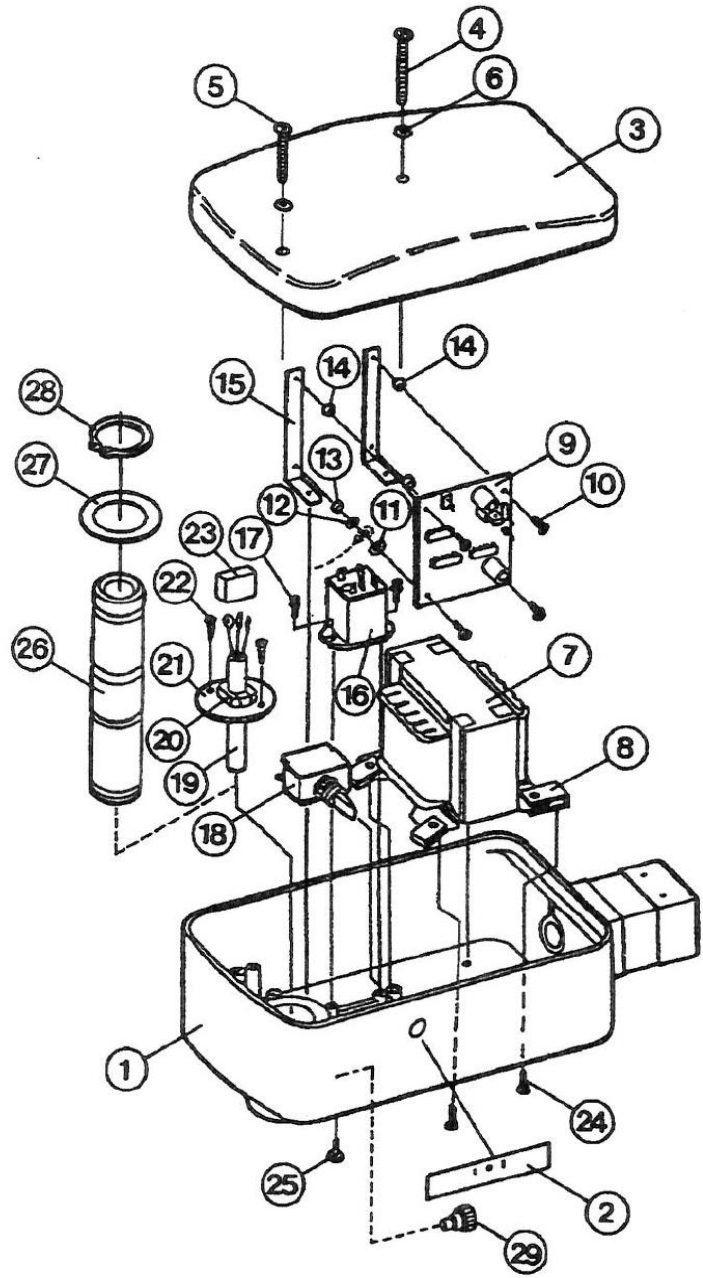
ARM SECTION



ARM SECTION UNIT/CEILING MOUNT - 2

NO.	PART NUMBER	DESCRIPTION
35	501137	H-SHAPED CASTING BRACKET
36	501138	STOPPER
37	501139	SET SCREW (M5-0.8-12)
38	501140	SWIVEL ARM KNUCKLE
39	501141	SCREW (M4-15)
40	501142	SWIVEL ARM
41	501110	SCREW (M4-10)
42	501144	EXTENSION
43	501146	EXTENSION RING
44	501102	SET SCREW (M5-8)
45	501147	SCREW (M4-10)
	501148	ARM WIRE HARNESS (NOT SHOWN)
	501106	UNIT MOUNT BALANCE ARM ASSEMBLY (NOT SHOWN)
	501156	CEILING MOUNT BALANCE ARM ASSEMBLY (NOT SHOWN)
	501148	BALANCE ARM WIRE HARNESS (NOT SHOWN)

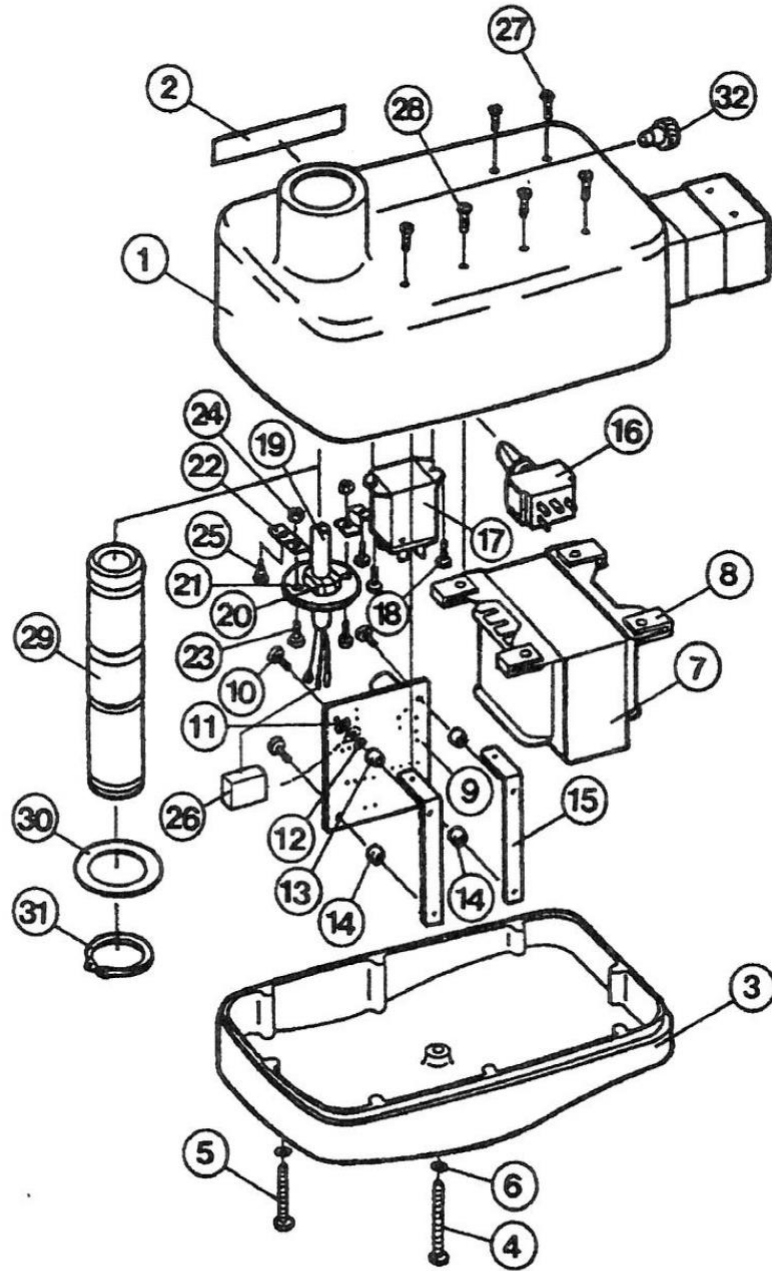
TRANSBOX SECTION



TRANSFORMER HOUSING UNIT MOUNT

NO.	PART NUMBER	DESCRIPTION
1	501203	TRANSFORMER HOUSING FOR MODEL 501
	1P0354A0	TRANSFORMER HOUSING FOR MODEL 511
2	501205	SENSOR SEAL
3	501206	TRANSFORMER HOUSING COVER FOR MODEL 501
	CAHC08BR	TRANSFORMER HOUSING COVER FOR MODEL 511
4	501207	SCREW (M4-65)
5	501208	SCREW (M4-55)
6	501209	SPRING WASHER
7	501210	TRANSFORMER FOR MODEL 501
	1G01C7A0	TRANSFORMER FOR MODEL 511
8	501212	TRANSFORMER PLATE
9	501213	PCB FOR TOUCHLESS SWITCH
10	501214	SCREW (M3-10)
11	501215	EXTERNAL TOOTH WASHER
12	501216	WASHER
13	501217	SPACER (SHORT)
14	501218	SPACER (LONG)
15	501219	PCB BRACKET
16	501220	RELAY
17	501221	SCREW (M3-8)
18	80001001	MANUAL/SENSOR SWITCH FOR MODEL 501 BLACK PLASTIC
	1G01CTA0	MANUAL/SENSOR SWITCH FOR MODEL 511 SILVER METAL
19	501223	CT-CABLE
20	501225	CT-CABLE BUSH
21	501226	WASHER FOR CT CABLE BUSH
22	501227	TAPPING SCREW (3-10)
23	501228	4P CONNECTOR (MALE)
24	501110	SCREW (M4-10)
25	501022	SCREW (M3-8)
	501357	3.15A FUSE FOR MODEL 501 (NOT SHOWN)
	CEEN22A0	1.5A FUSE FOR MODEL 511 (NOT SHOWN)
	501354	FUSE HOLDER (NOT SHOWN)
	CENX56B0	MAIN SWITCH FOR MODEL 511 (NOT SHOWN)

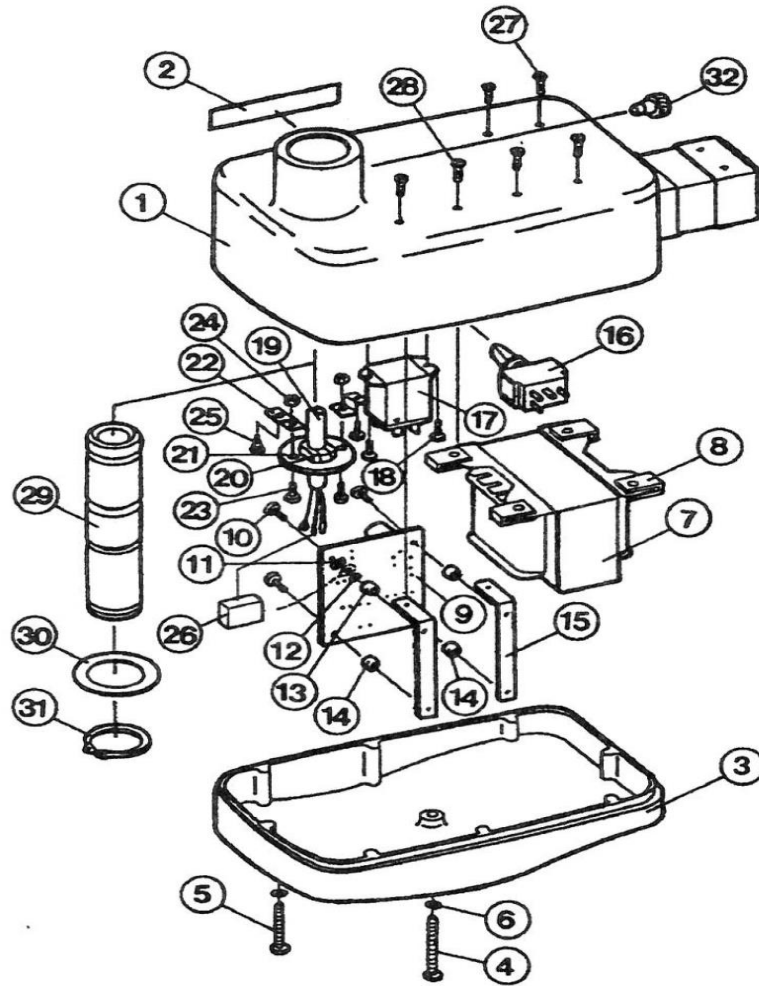
TRANSBOX SECTION



TRANSFORMER HOUSING CEILING MOUNT

NO.	PART NUMBER	DESCRIPTION
1	501204	TRANSFORMER HOUSING FOR MODEL 502
1	1P02GZAO	TRANSFORMER HOUSING FOR MODEL 512
2	501205	SENSOR SEAL
3	501206	TRANSFORMER HOUSING COVER FOR MODEL 502
3	CAHC08BR	TRANSFORMER HOUSING COVER FOR MODEL 512
4	501207	SCREW (M4-65)
5	501208	SCREW (M4-55)
6	501209	SPRING WASHER
7	501210	TRANSFORMER FOR MODEL 502
7	1G01C7AO	TRANSFORMER FOR MODEL 512
8	501212	TRANSFORMER PLATE
9	501213	PCB FOR TOUCHLESS SWITCH
10	501214	SCREW (M3-10)
11	501215	EXTERNAL TOOTH WASHER
12	501216	WASHER
13	501217	SPACER (SHORT)
14	501218	SPACER (LONG)
15	501219	PCB BRACKET
16	80001001	MANUAL/SENSOR SWITCH FOR MODEL 501 BLACK PLASTIC
16	1G01CTAO	MANUAL/SENSOR SWITCH FOR MODEL 512 SILVER METAL
17	501220	RELAY
18	501221	SCREW (M3-8)
19	501223	CT-CABLE
20	501225	CT-CABLE BUSH
21	501226	WASHER FOR CT CABLE BUSH
22	501302	WASHER BRACKET
23	501303	SCREW (M3-8)
24	501304	NUT
25	501227	TAPPING SCREW (M3-10)
26	501228	4-P CONNECTOR (MALE)
27	501110	SCREW (M4-10)
28	501022	SCREW
29	501229	TRANSFORMER SHAFT
30	501230	WASHER (43-29-0.8)
31	501231	C-RING

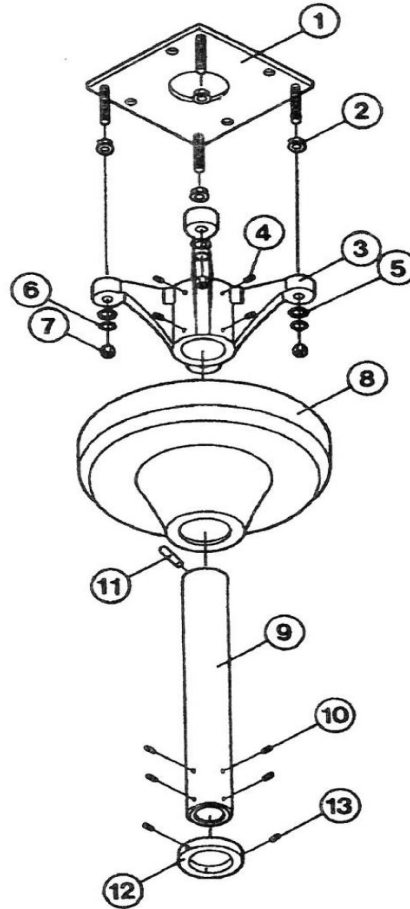
TRANSBOX SECTION



TRANSFORMER HOUSING CEILING MOUNT -2

NO.	PART NUMBER	DESCRIPTION
32	501232	STOP SCREW
	501357	3.15A FUSE FOR MODEL 502 (NOT SHOWN)
	CEEN22A0	1.5A FUSE FOR MODEL 512 (NOT SHOWN)
	501354	FUSE HOLDER (NOT SHOWN)
	CENX56B0	MAIN SWITCH FOR MODEL 512 (NOT SHOWN)

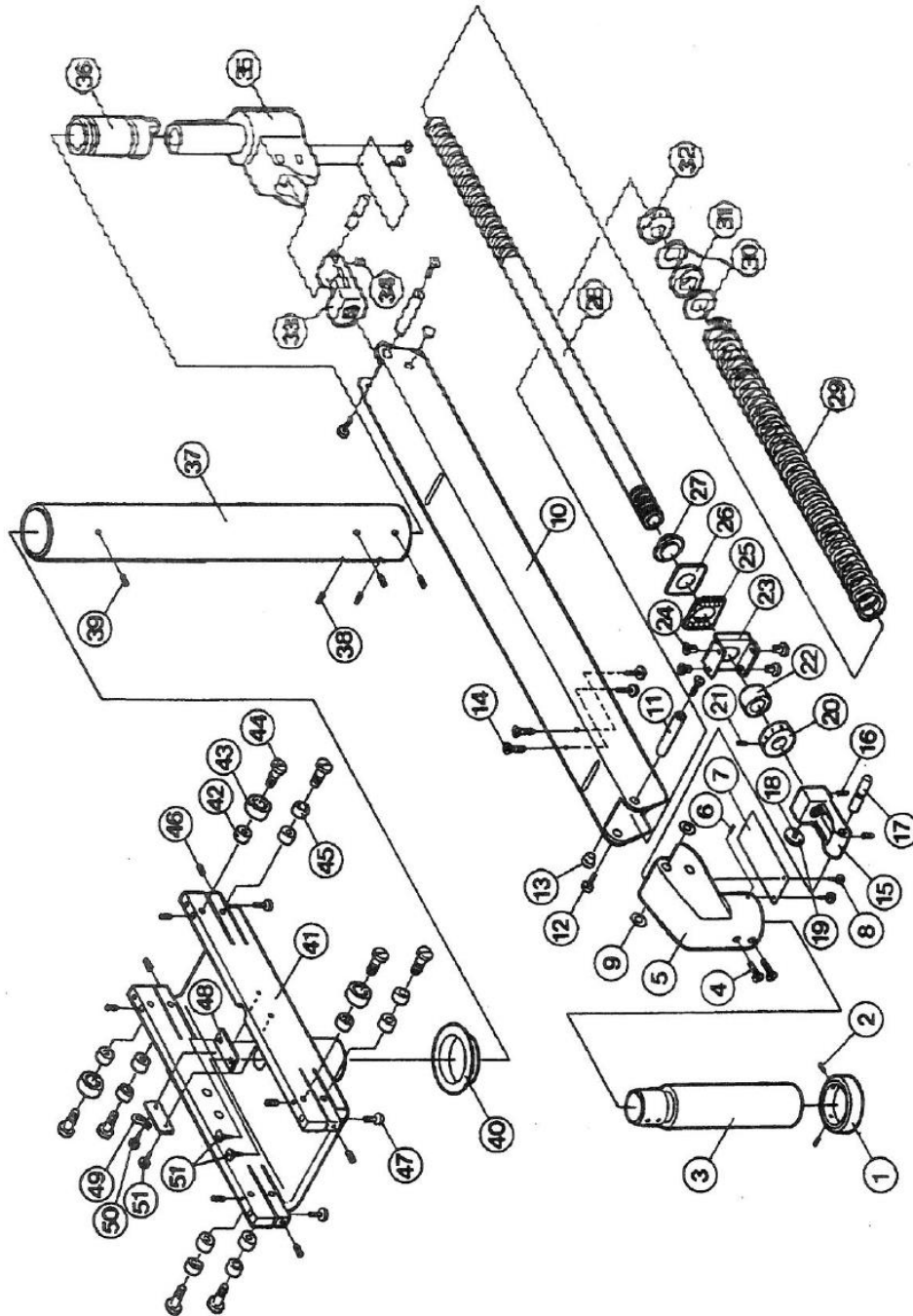
CEILING POLE SECTION



CEILING MOUNT SECTION

NO.	PART NUMBER	DESCRIPTION
1	HLU0130	MOUNTING PLATE
2	501502	NUT
3	HLU0140	CEILING FLANGE
4	HLU0146	SET SCREW (M6-8)
5	501506	WASHER
6	501507	SPRING WASHER
7	501508	NUT
8	HLU0120W	FLANGE COVER
9		SUSPENSION TUBE SEE PAGE 3
10	HLU0115	SET SCREW (M5-10)
11	HLU0116	ROLL PIN
12	HLU0125	STOPPER RING
13	HLU0126	SET SCREW (M6-8)

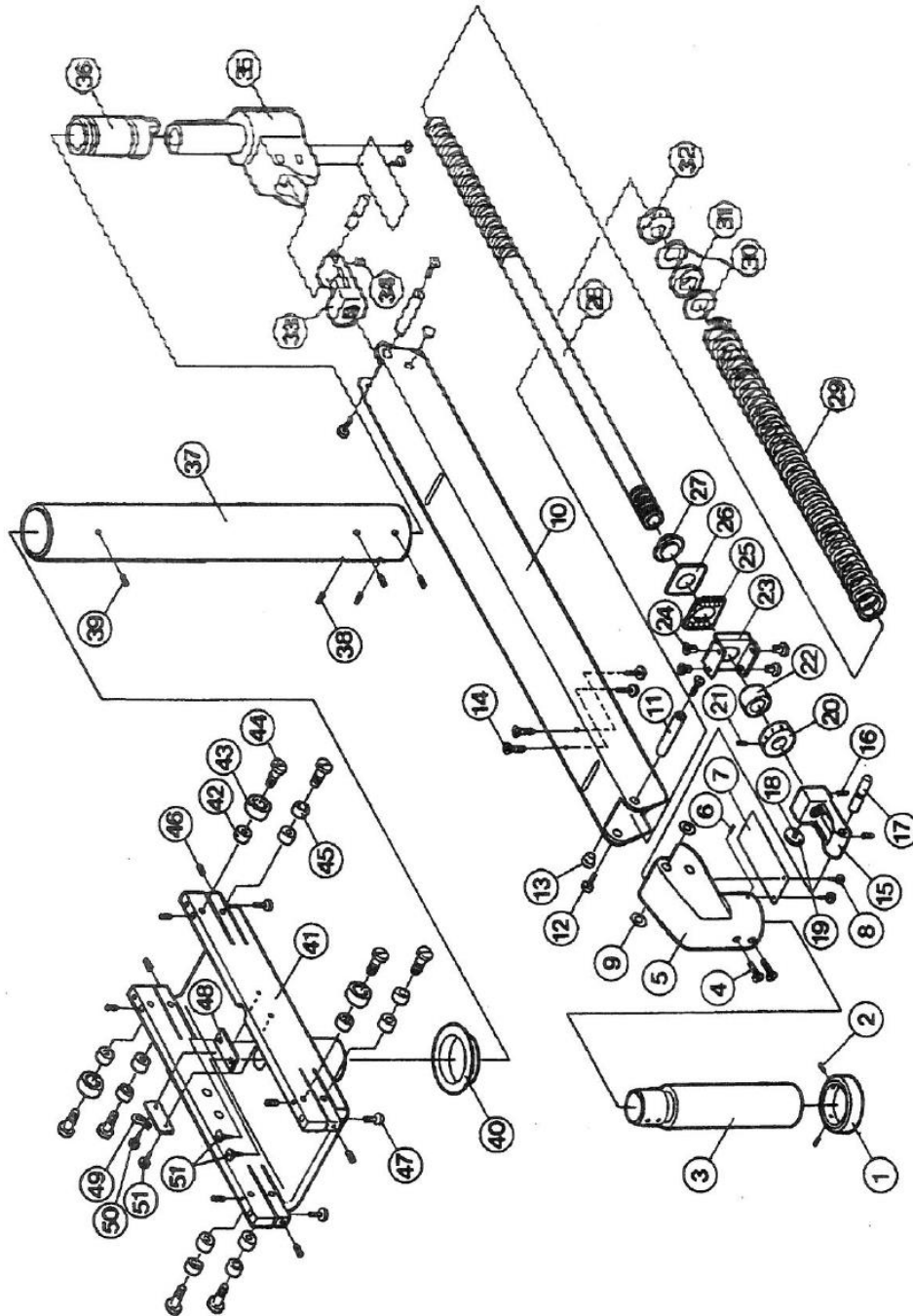
ARM SECTION



ARM SECTION TRACK LIGHT

NO.	PART NUMBER	DESCRIPTION
1	501146	EXTENSION RING
2	501102	SET SCREW (M5-8)
3	501144	EXTENSON
4	501147	SCREW (M4-10)
5	501101	YOKE BRACKET
6	501102	SET SCREW (M5-8)
7	501103	ARM KNUCKLE COVER T
8	501104	TAPPING SCREW (3-6)
9	501105	WASHER (14-8.5 5-0.8)
10	CAHC18ER	BALANCE ARM COVER
11	CAHC24C0	ARM KNUCKLE PIN
12	501108	SCREW (M4-10)
13	501109	CUP
14	501110	SCREW (M4-10)
15	501111	BRACKET FOR SPRING ARM ADJUSTMENT SHAFT L
16	501112	SCREW (M5-5)
17	501113	PIN FOR BALANCE ARM
18	501114	BRAKE SHOE SCREW
19	501115	BRAKE SHOE
20	501116	NUT FOR ADJUSTING SHAFT
21	501117	SCREW (M4-5)
22	501601	COLLAR (15.5-17-22)
23	501119	SPRING STOPPER A
24	501120	LOCK BUSH
25	501121	SPRING STOPPER B WITH BEARING 5/32
26	501122	SPRING STOPPER C
27	501123	SPRING STOPPER D
28	501124	SPRING ADJUSTMENT SHAFT
29	501125	BALANCE ARM SPRING
30	501126	WASHER (28-16.8-1.2)
31	501128	COLLAR (10-17-22)
32	501129	NUT FOR BALANCE ARM SPRING
33	501130	BRACKET FOR SPRING ARM ADJUSTMENT SHAFT R
34	501112	SCREW (M5-5)
35	501602	BALANCE ARM KNUCKLE WITH SCREW
36	501603	KNUCKLE COLLAR
37		SUSPENSION TUBE SEE PAGE 3

ARM SECTION



ARM SECTION TRACK LIGHT -2

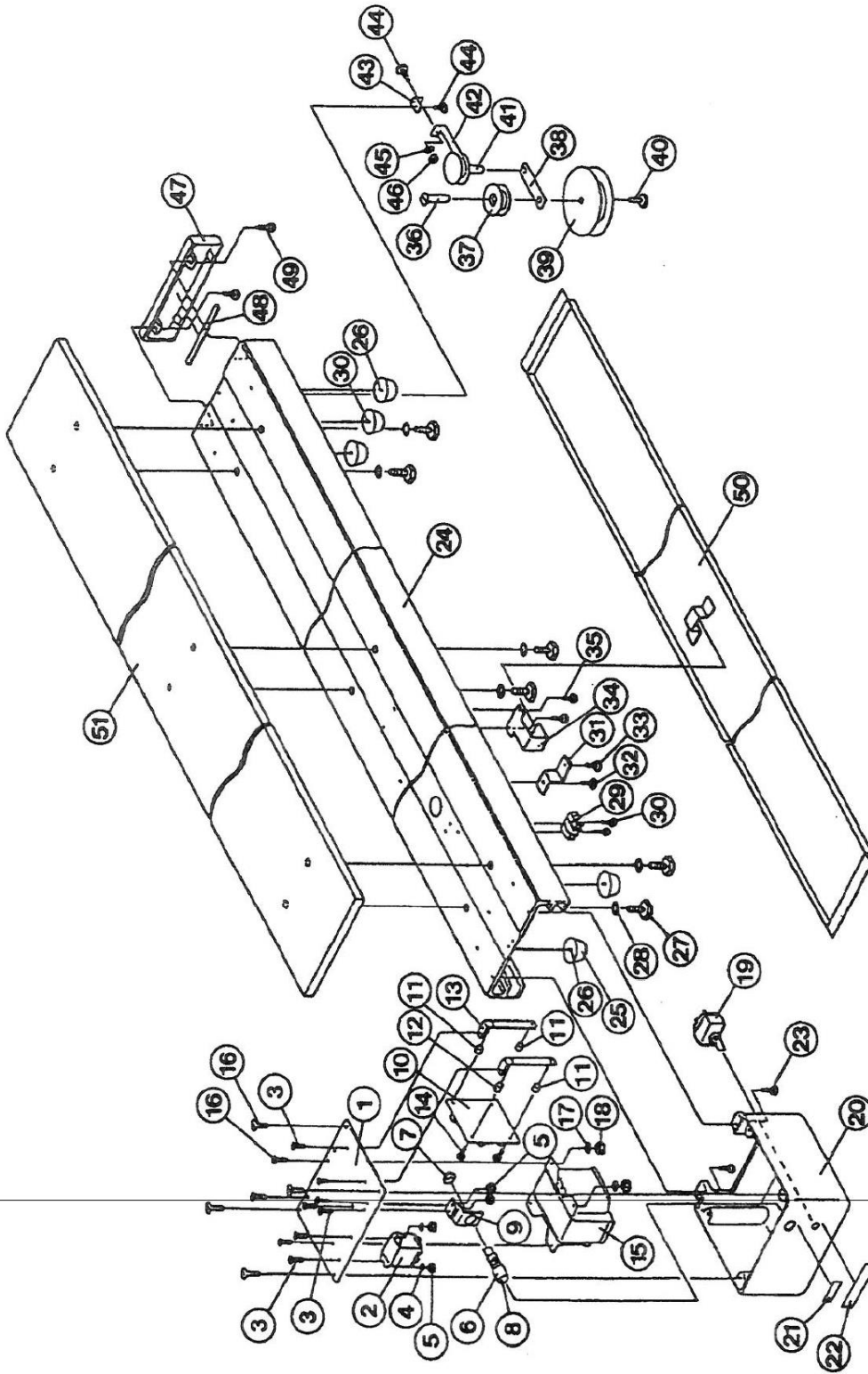
NO.	PART NUMBER	DESCRIPTION
38	501605	SET SCREW (M5-8)
39	501606	SET SCREW (M5-6)
40	HLU0180	TROLLEY COLLAR
41	HLU1080W	TROLLEY ASSEMBLY
42	HLU0160	UPPER ROLLER WITH BEARING AND SHAFT SOLD AS KIT
43	HLU0160	UPPER ROLLER WITH BEARING AND SHAFT SOLD AS KIT
44	HLU0160	UPPER ROLLER WITH BEARING AND SHAFT SOLD AS KIT
45	HLU0165	LOWER ROLLER WITH BEARING AND SCREW
46	501614	SET SCREW (M4-5)
47	501615	SCREW (M5-25)
48	501616	GUIDE PLATE
49	501617	CLAMP
50	501618	TAPPING SCREW (3-6)
51	501619	TAPPING SCREW (3-8)
	501621	TRACK MOUNT BALANCE ARM ASSEMBLY (NOT SHOWN)
**	501149	TRACK SIDE WIRE HARNESS (NOT SHOWN)
**	501620	ARM SIDE WIRE HARNESS (NOT SHOWN)
**	501160	SUSPENSION TUBE WIRE HARNESS (NOT SHOWN)

If replacing gray cloth insulation type track harness it is recommended to replace HLU0170 pulley assembly.

** older model lights have a continuous harness from the transformer to the head. Later models are segmented; track wire, suspension tube wire, and arm wire.

Suspension Tube wires are used in lights higher than 8' ceiling. Not required in standard 8' suspension tubes.

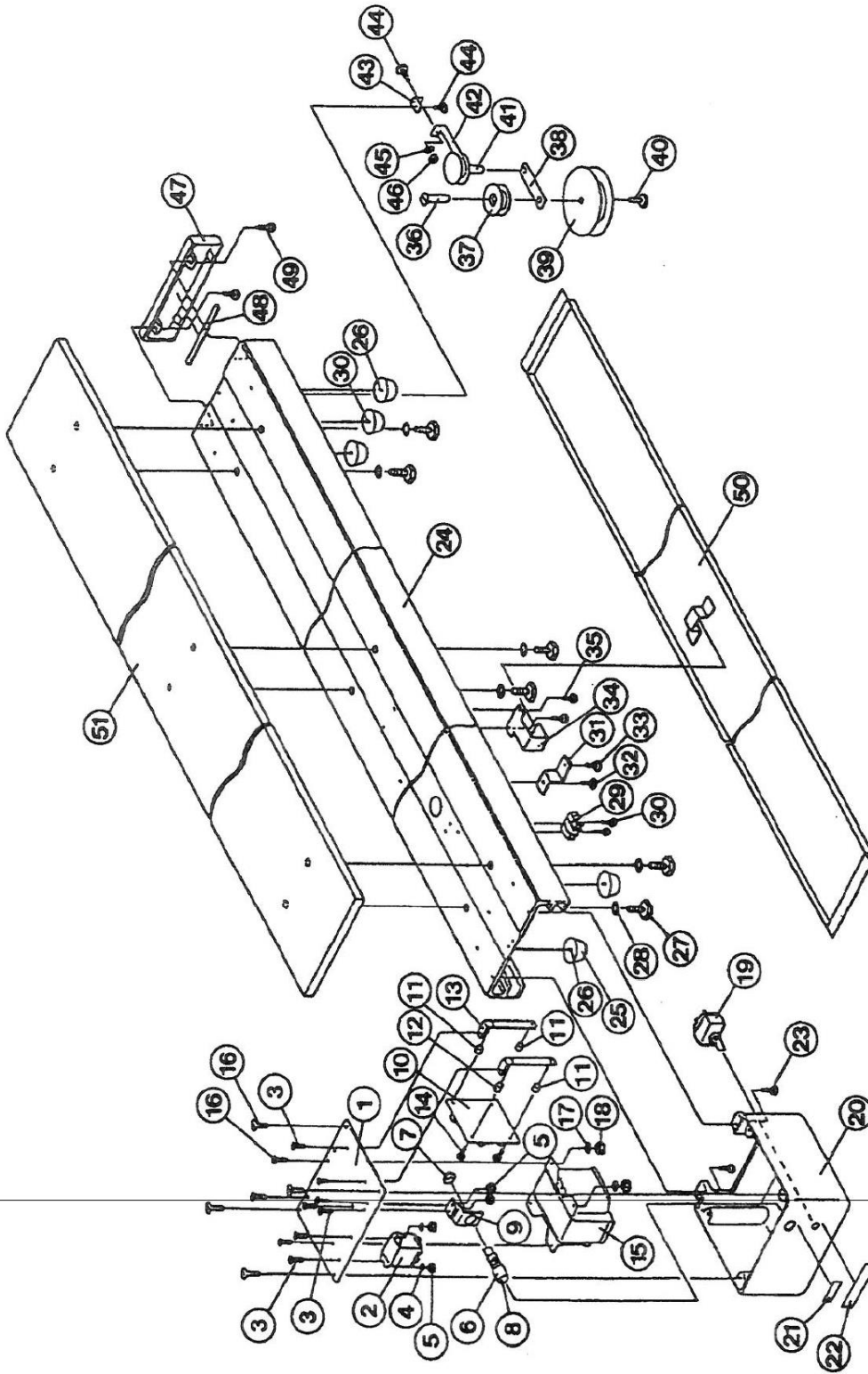
TRACK SECTION



TRACK SECTION

NO.	PART NUMBER	DESCRIPTION
1	501624	TRANSFORMER PLATE
2	501220	RELAY
3	501625	SCREW (M3-8)
4	501626	WASHER
5	501627	NUT
6	501354	FUSE HOLDER SET (CAP AND HOLDER)
7	501354	FUSE HOLDER SET (CAP AND HOLDER)
8	501357	3.15A FUSE FOR 505
8	CEEN22A0	1.5A FUSE FOR MODEL 515
9	501628	FUSE HOLDER BRACKET
10	501213	PCB FOR TOUCHLESS SWITCH
11	501218	SPACER (LONG)
12	501217	SPACER (SHORT)
13	501219	TOUCHLESS SWTCH BRACKET
14	501214	SCREW (M3-10)
15	501210	TRANSFORMER FOR MODEL 505
	1G01DOA0	TRANSFORMER FOR MODEL 515 (NOT SHOWN)
16	501623	SCREW (M4-8)
17	501630	SPRING WASHER
18	501631	NUT
19	80001001	MANUAL/SENSOR SWITCH FOR MODEL 505 BLACK PLASTIC
	1G01CTA0	MANUAL/SENSOR SWITCH FOR MODEL 515 SILVER METAL
20	501632	TRANSFORMER HOUSING FOR MODEL 505
	1A04C510	TRANSFORMER HOUSING FOR MODEL 515
21	501254	FUSE SEAL (3.15)
22	501205	SENSOR SEAL
23	501633	SCREW (M4-15)
24	HLU1110W	TRACK SECTION
25	HLU1115	RUBBER BUMPER
26	501636	SCREW (M4-15)
27	501637	BOLT (M8-25)
28	501638	WASHER
29	501257	TERMINAL
30	501639	TAPPING SCREW
31	501640	WIRE CLIP
32	501641	SCREW (M4-8)
33	501642	SCREW (M4-10)

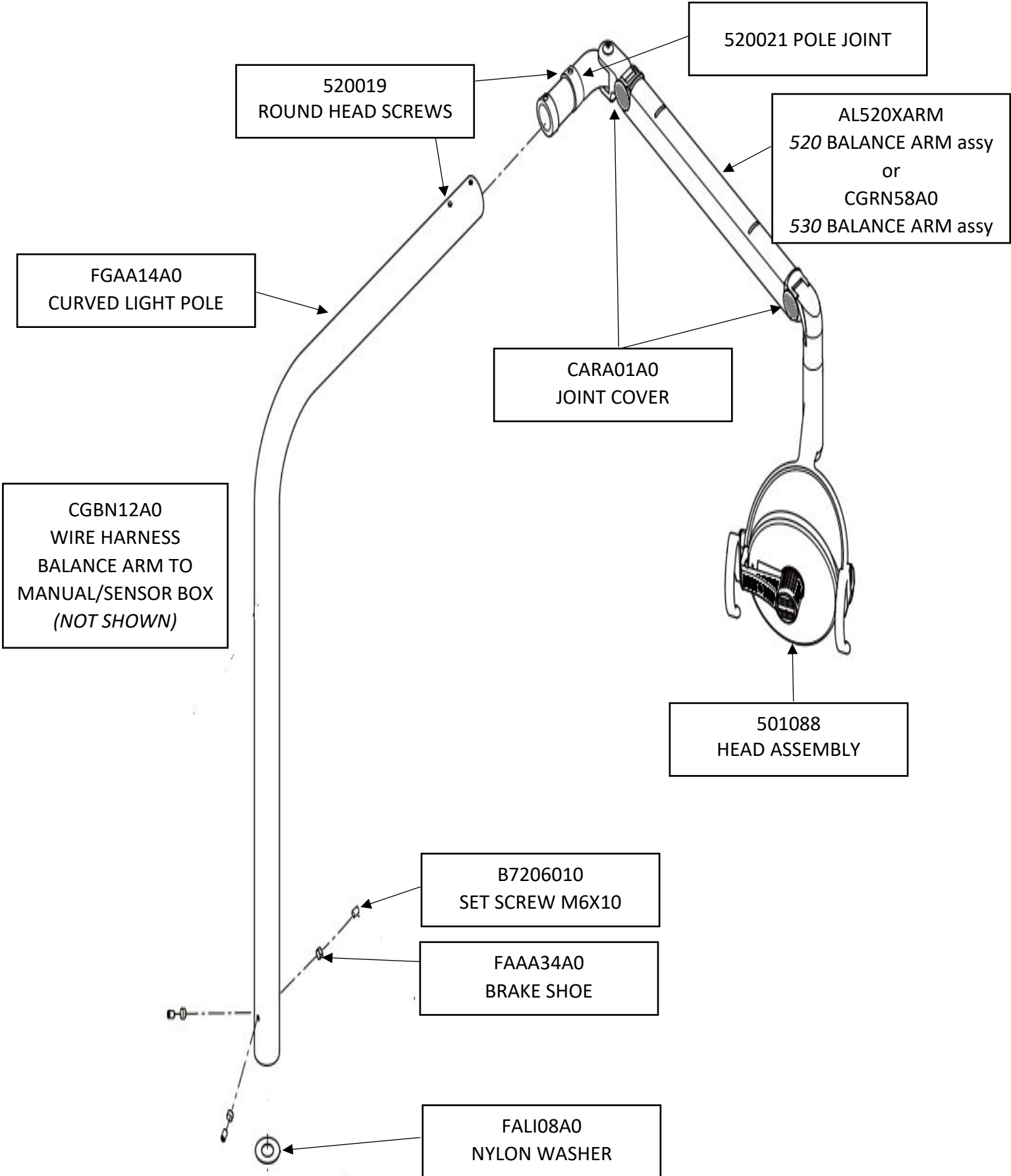
TRACK SECTION



TRACK SECTION -2

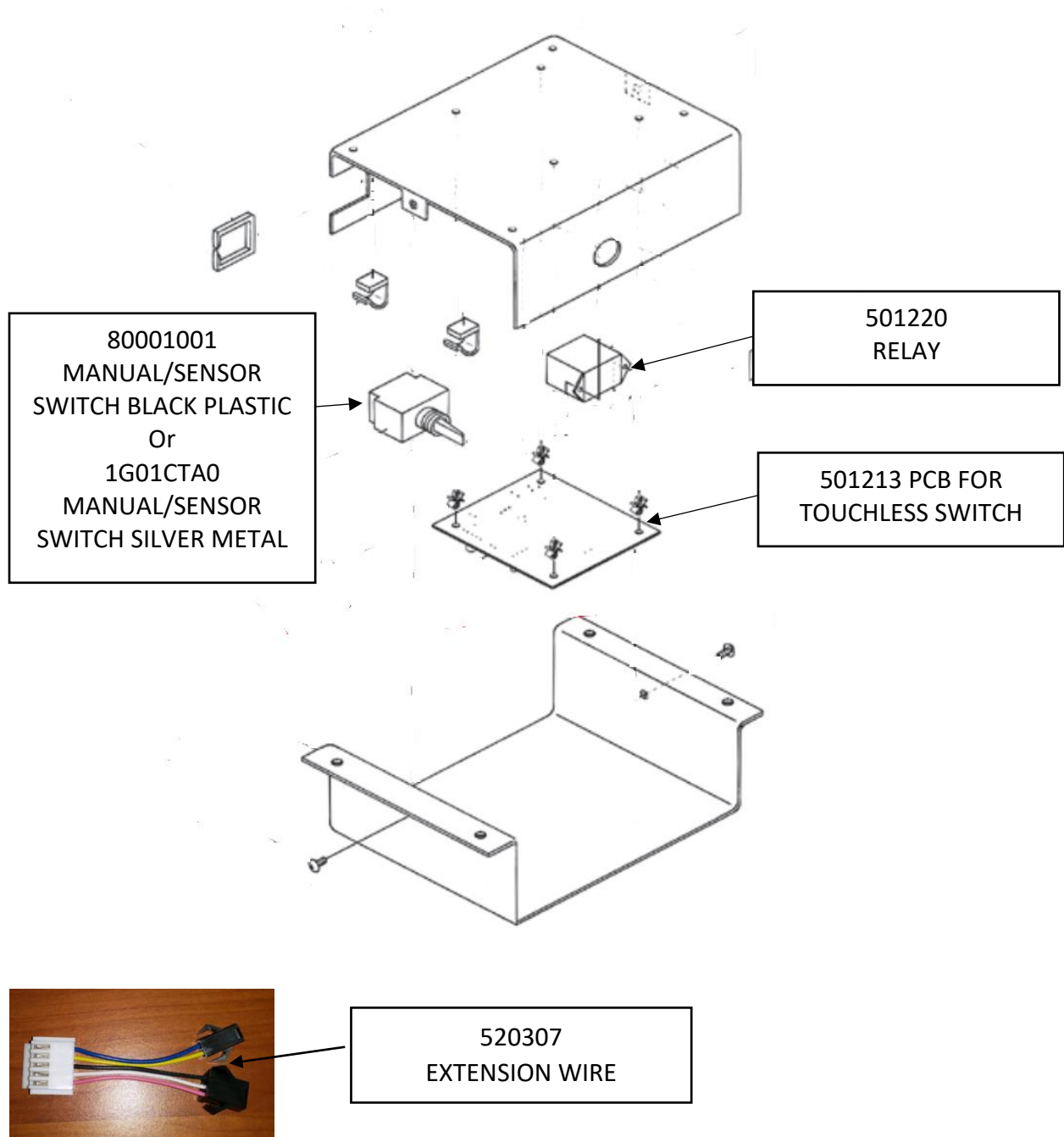
NO.	PART NUMBER	DESCRIPTION
34	501643	Z CLIP
35	501644	SCREW (M3-10)
36	501646	DRUM SHAFT
37	HLU0170	PULLEY SOLD AS AN ASSEMBLY
38	HLU0170	PULLEY SOLD AS AN ASSEMBLY
39	HLU0170	PULLEY SOLD AS AN ASSEMBLY
40	HLU0170	PULLEY SOLD AS AN ASSEMBLY
41	HLU0170	PULLEY SOLD AS AN ASSEMBLY
42	HLU0170	PULLEY SOLD AS AN ASSEMBLY
43	HLU0170	PULLEY SOLD AS AN ASSEMBLY
44	501654	SCREW (M4-8)
45	501655	EXTERNAL TOOTH WASHER
46	501656	NUT
47	HLU1070W	END CAP
48	501659	END CAP RUBBER
49	501633	SCREW (M4-15)
50	501660	BOTTOM COVER WITH SEAL
51	HLU1100W	TRACK LIGHT PALLET
	CENX56B0	MAIN SWITCH FOR MODEL 515 (NOT SHOWN)

AL520/530 CURVED POST UNIT MOUNT



AL520/530 CURVED POST UNIT MOUNT

MANUAL/SENSOR BOX



MANUAL/SENSOR BOX ASSY

NO.	PART NUMBER	DESCRIPTION
	1G01DRA0	MANUAL/SENSOR BOX ASSY COMPLETE FOR AL530X
	1G037HA0	MANUAL/SENSOR BOX ASSY COMPLETE FOR AL530XN
	CGNA27A0	MANUAL/SENSOR BOX ASSY COMPLETE FOR AL520

AL520/530 CURVED POST UNIT MOUNT

TRANSFORMER BOX



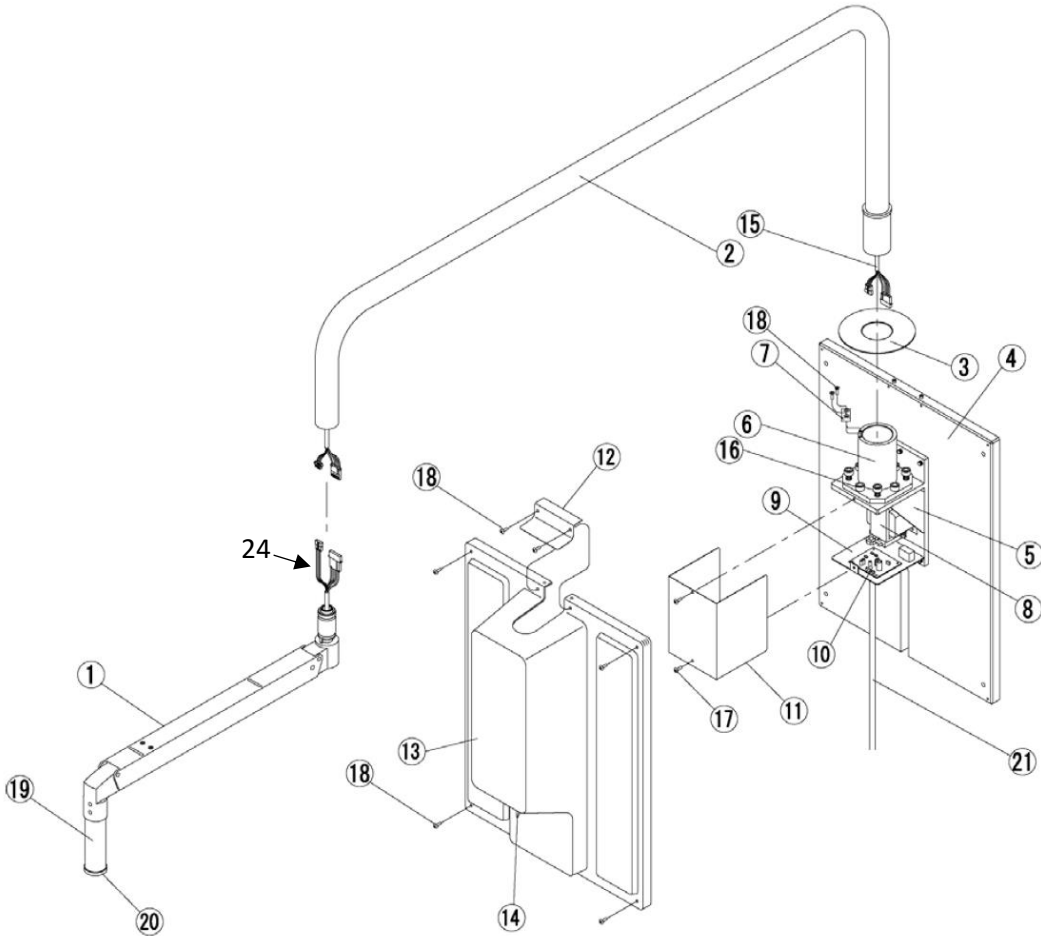
TRANSFORMER BOX ASSEMBLY

NO.	PART NUMBER	DESCRIPTION
	520101	TRANSFORMER ONLY AL520X
	1G01DCA0	TRANSFORMER ONLY AL530X
	501354	FUSE HOLDER
	501357	FUSE 3.15 AL520X
	CEEN22A0	FUSE 1.5 AL530X
	AL520XTR	TRANSFORMER BOX ASSEMBLY COMPLETE AL520X
	FATB37A0	LOWER WIRE HARNESS FROM TRANSFORMER TO MANUAL/SENSOR BOX (NOT SHOWN)

CABINET MOUNTED

NO.	PART NUMBER	DESCRIPTION
	501151	WIRE HARNESS IN BAL ARM F/507 CABINET
	501520	BALANCE ARM ASSEMBLY 507CLESTA CAB MT L
	501921	EXTENSION WIRE HARNESS 507 CABINET MOUNT
	AL507ARM	ARM FOR 507 DENTAL LIGHT
	CACP80A0	WIRE HARNESS FOR HORIZONTAL ARM (AL507N)
	CAHC09C0	BRACKET F/AL507N PC BOARD
	CAHC71C	WIRE HARNESS F/AL507N
	CATP07B0	WIRE HARNESS FOR BALANCE ARM (AL507N)
	CGAN45A0	AL507N BALANCE ARM WIRE HARNESS
	CGBN33A0	AL507 LIGHT KIT
	501210	TRANSFORMER FOR 507/507N
	1G01CRA0	TRANSFORMER FOR AL517N CLESTA LIGHT
	1G01CUA0	FUSE SET L AL-517N
	1G01G3A0	FUSE SET N AL517N
	1P033NA0	FUSE SET FOR AL517N LIGHT

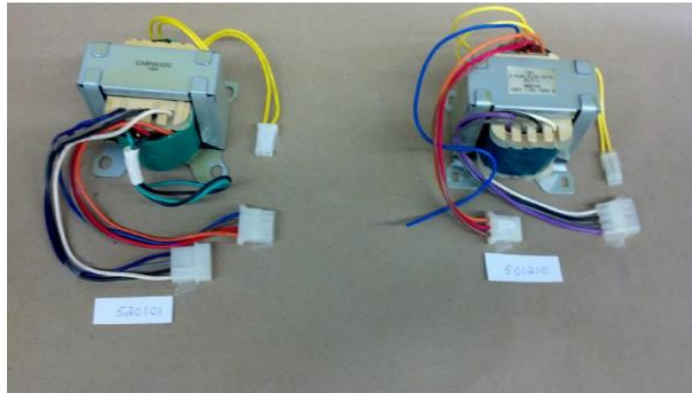
WALL MOUNTED LIGHT



WALL MOUNTED LIGHT

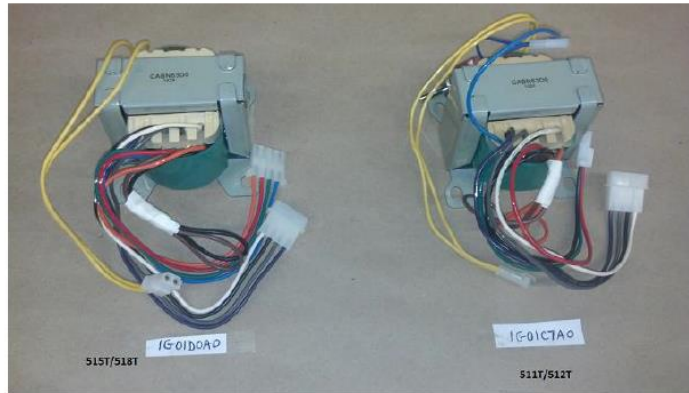
NO.	PART NUMBER	DESCRIPTION
1	1P04TBA0	BALANCE ARM ASSY FOR AL-508/AL-518
2	CGEN01A0	LIGHT POLE
3	CATN92A0	POLE DISC
4	CATN03C0	WALL PLATE FOR AL508T
5	CATN01C0	WALL BRACKET FOR AL508T
6	CATN02B0	RETAINER METAL FOR
7	CATP04A0	POLE RECEPTACLE
8	501210	TRANSFORMER FOR AL508T
8	1G01D0A0	TRANSFORMER FOR AL518T
9	CATN04C0	PCB BRACKET
10	501213	P.C.B. FOR TOUCHLESS SWITCH FOR CLESTA
11	CATP03B0	WALL BRACKET COVER
12	CATP06AR	FRONT TOP COVER
13	CATP05B0	FRONT COVER FOR WALL MOUNT CLESTA LIGHT
14	80001001	MANUAL/SENSOR SWITCH FOR MODEL 501 BLACK PLASTIC
14	CGRN60A0	MANUAL/SENSOR SWITCH FOR MODEL 511 SILVER METAL
15	CATP08B0	EXTENSION WIRE
16		BOLT M4-8
17		SCREW M4-8
18	CGTN20A0	BOLT SET
19	CAHC65AR	EXTENSION
20	CAHC54A	EXTENSION RING
21	CATN91A0	CT-CABLE
22	501354	FUSE HOLDER (NOT SHOWN)
23	501357	FUSE 3.15 FOR AL508T (NOT SHOWN)
23	CEEN22A0	FUSE 1.5 FOR AL518T (NOT SHOWN)
24		BALANCE ARM WIRE HARNESS FOR AL-508/AL-518

TRANSFORMERS



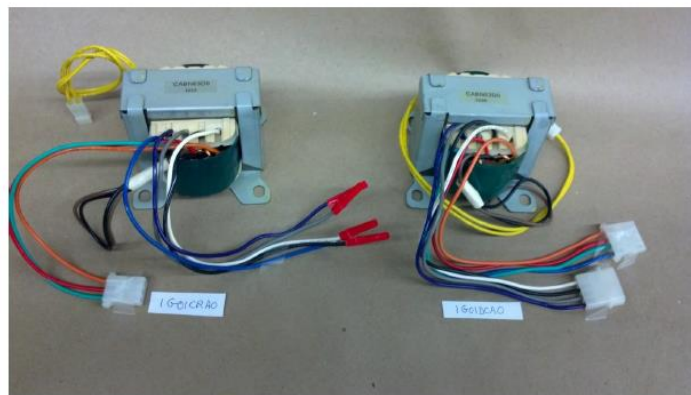
520X

501/502/505/507/508



515T/518T

511T/512T



517T

530X

