



## Clesta Halogen Dental Light

# ■ Clesta Halogen

## Dental Light

A Belmont staple in delivering simplified operations and efficiency.

### Easy Positioning

Convenient ergonomically shaped handles permit easy positioning of the light head for directing illumination where it is needed.

### Asepsis Potential

Touchless sensor facilitates hands-free activation for minimizing the risk of cross-contamination of the light head surfaces.



### Intensity Selection

Three-way intensity switch adjusts illumination to high intensity, medium intensity, and composite-safe mode.

### Color Rendering

Using the high intensity setting, the 5000°K color temperature approximates natural daylight.

### Reflective Design

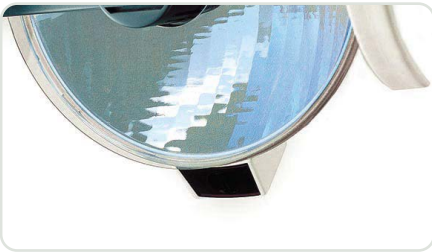
Special Dichroic reflector filters out infrared rays and dissipates heat, so cool white light illuminates the oral cavity.

## ■ Low Effort Maintenance

Quarter-turn screw releases the front lens cover assembly for fast and easy bulb replacement.

## ■ Productivity Through Obstruction

Shadowless illumination technology allows for uninterrupted lighting to the patient oral cavity, even with a 50% obstruction between the light head and the patient.



## ■ Mounting Options

Configurations include ceiling mount, track mount, wall mount, post mount, unit mount, swing mount and cabinet mount.

AL512T Ceiling Mount Light  
(for operatories with 8 to 10 ft ceilings)



AL511T Post Mount Light  
(post not included)



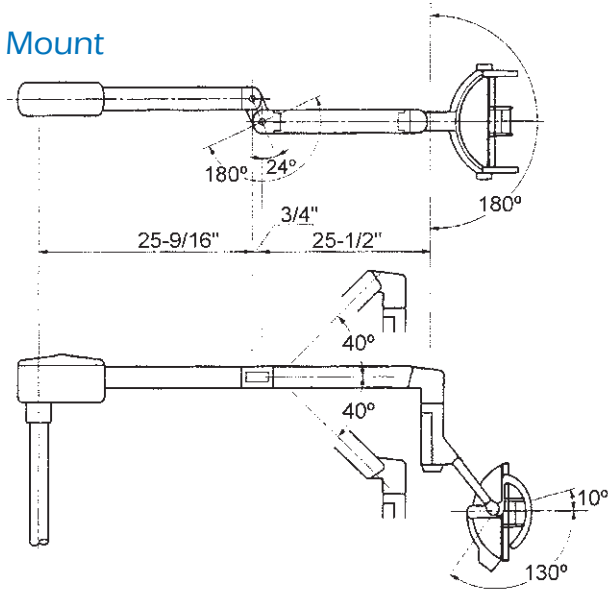
AL515T Track Mount Light  
(for operatories with 8 to 10 ft ceilings)



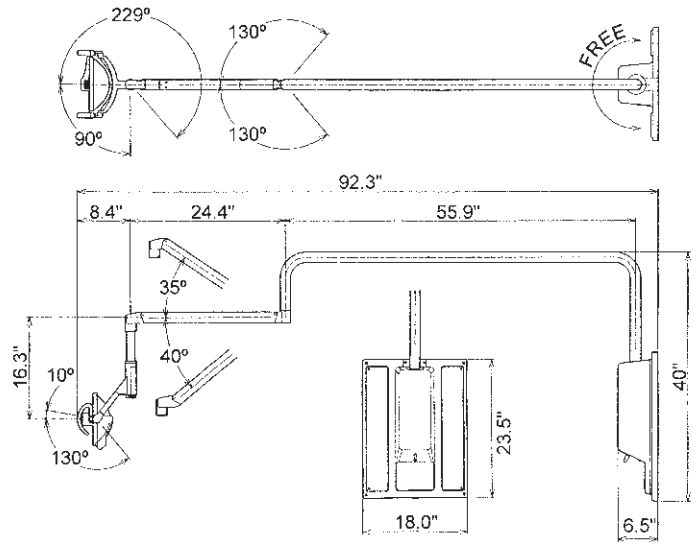
BDS2530 Left - Right Swing  
Mount Light



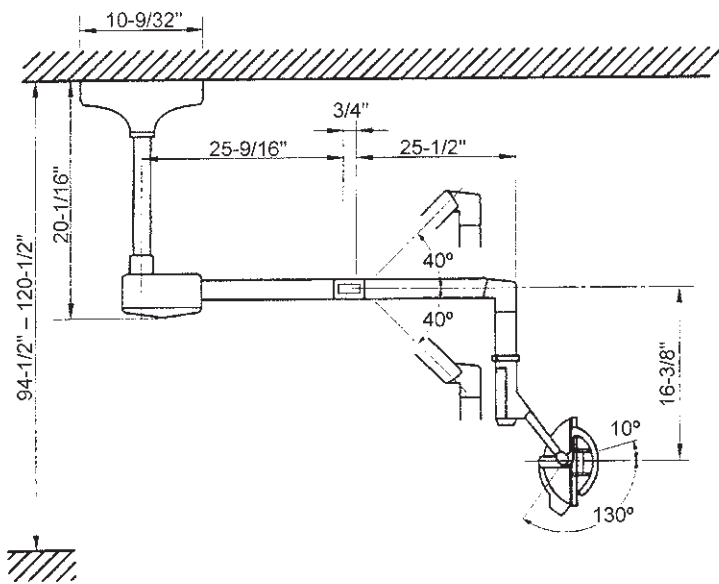
## Unit Mount



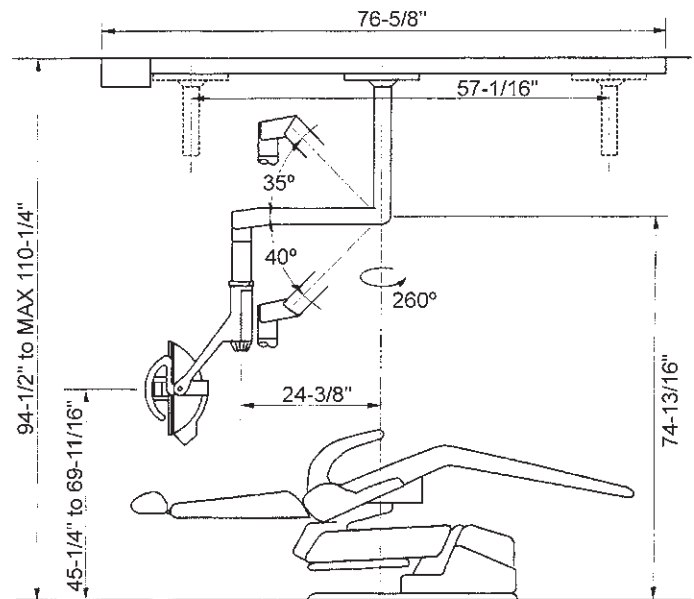
## Wall Mount



## Ceiling Mount



## Track Mount



# SPECIFICATIONS

Light Source:	Halogen Bulb
Focal Distance:	27-1/2" (698 mm)
Intensity:	740 - 2,600 FTC (Stepless)
Composite Safe Mode:	740 FTC
Color Temperature:	3,600° - 5,000° K
Light Pattern:	2.8" x 7.5" (71 mm x 190 mm)
Operation:	Touchless sensor
Bulb Type:	24V / 60W Tungsten Halogen
Spare Bulb:	1 Spare Bulb Included

Belmont Equipment  
101 Belmont Drive  
Somerset, NJ 08873  
(800) 223-1192  
www.belmontequip.com

Takara Company Canada Ltd.  
2076 South Sheridan Way  
Mississauga, ON  
L5J 2M4, Canada  
(800) 268-5351  
dental.takarabelmont.ca

**Belmont**  
Delivering Value in Quality

@BelmontEquipUS

