

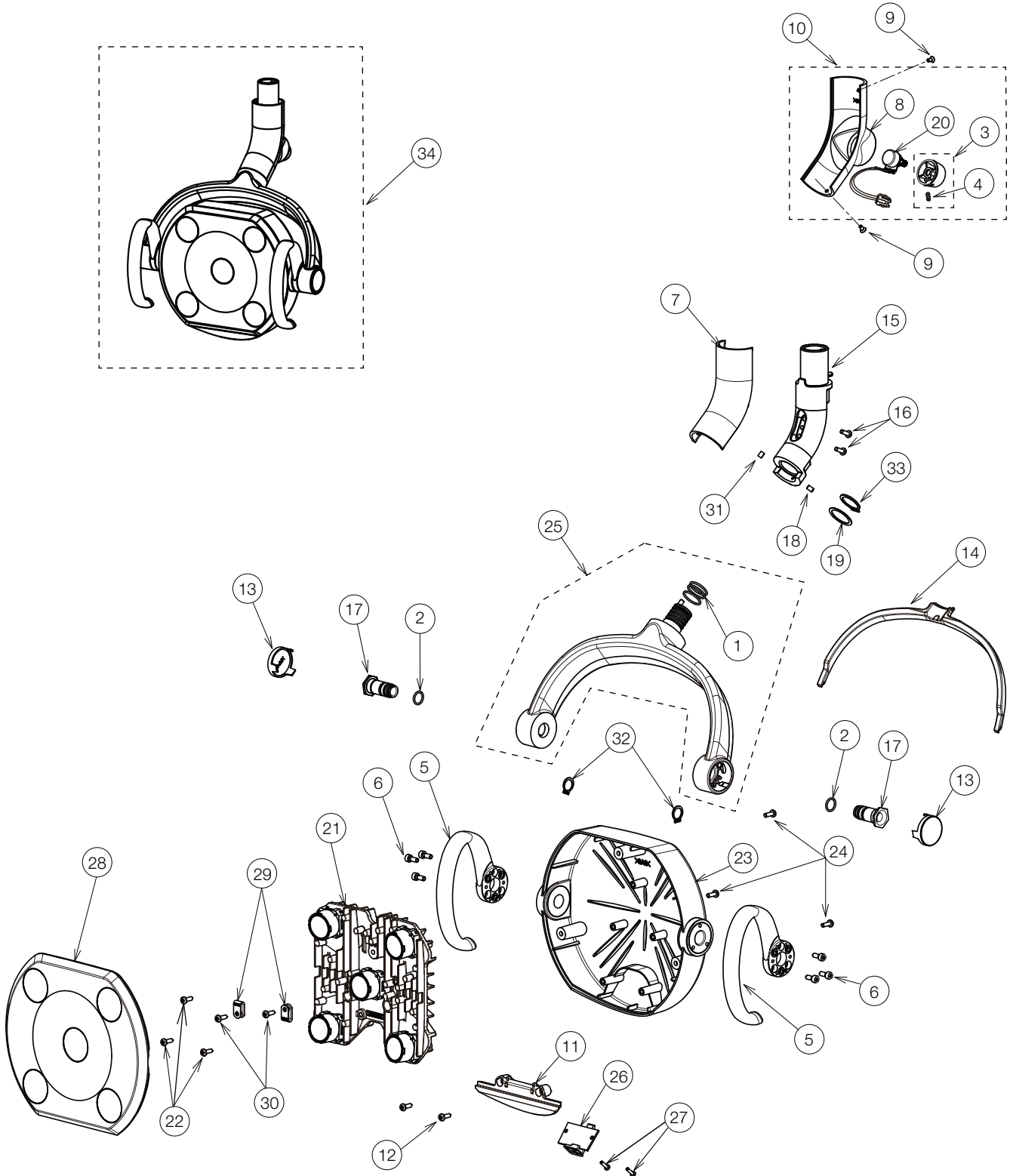


CLESTA LED DENTAL LIGHT
PARTS LIST

TABLE OF CONTENTS

	PAGE
1 . HEAD SECTION -----	4
2 . ARM SECTION (301) -----	6
3 . ARM SECTION (302) -----	8
4 . ARM SECTION (305) -----	10
5 . ARM SECTION (320X/320XN/320XC) -----	12
6 . POWER SUPPLY BOX SECTION (301) -----	14
7 . POWER SUPPLY BOX SECTION (302) -----	16
8 . POWER SUPPLY BOX SECTION (305) -----	18
9 . POWER SUPPLY BOX SECTION (320X/320XN/320XC) -----	20
10 . SWITCH BOX SECTION (320X/320XC) -----	22
11 . SWITCH BOX SECTION (320XN) -----	24
12 . CEILING POLE SECTION (302)-----	26
13 . TRACK SECTION (305) -----	28

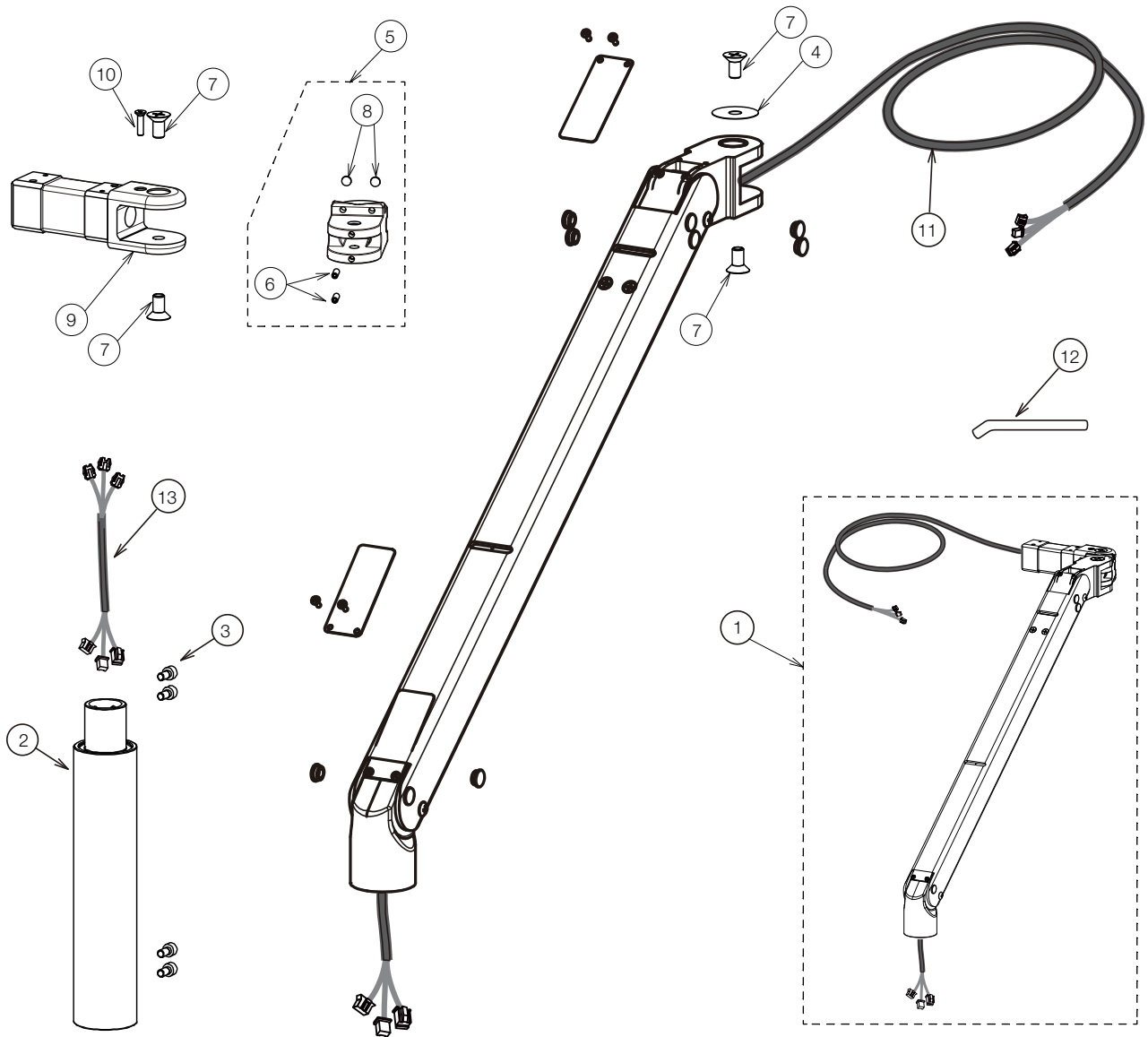
HEAD SECTION



NO.	PARTS NO.	DESCRIPTION	QTY	APPLICABLE SERIAL NO.	NOTE
1	FJMA83A0	O-RING S-18	3		
2	1E03JKA0	O-RING S-11.2	2		
3	1P0419A0	VOLUME KNOB (CN-80) WITH SET SCREW	1		
4	ZA774JNG	HEX SOCKET SET SCREW (CUP POINT) M3X6 BLACK	1		
5	1A07L6B0	HANDLE FOR LIGHT (CN80)	2		
6	ZA761LPU	HEX SOCKET HEAD SCREW M4X8 SUS	6		
7	1A0B9BA0	FRONT COVER FOR YORK (RAL9003)	1		
	1A0HVKA0	FRONT COVER FOR YORK (CN80)			
8	1A0B9CB0	REAR COVER FOR YORK (RAL9003)	1		
	1A0HVLA0	REAR COVER FOR YORK (CN80)			
9	ZA112JNY	FLAT HEAD SCREW M3x6 CHROME	2		
10	1G03JAA0	REAR COVER ASSY FOR YORK (INCLUDING VOLUME KNOB) (RAL9003)	1		
	1G059EA0	REAR COVER ASSY FOR YORK (INCLUDING VOLUME KNOB) (CN80)			
11	1A0B9EA0	SENSOR COVER	1		
12	AFFX58A0	PAN HEAD TAPPING SCREW TYPE-P M4X10 CHROME	2		
13	1A0B9FA0	CAP FOR YORK	2		
14	1A0B9GB0	YOKE PACKING (CN-80)	1		
15	1G03S8A0	YOKE SHAFT ASSY	1		
16	AFFX58A0	PAN HEAD TAPPING SCREW TYPE-P M4X10 CHROME	2		
17	1A0B9MA0	HEAD ROTATING SHAFT	2		
18	ZA771LNU	HEX SOCKET SET SCREW (FLAT) M4X6 SUS	1		
19	1A0B9RA0	WASHER FOR YORK	1		
20	1A0BKFA0	INTENSITY CONTROL VOLUME ASSY WITH HARNESS	1		
21	1G03G7C0	LED MODULE (5 LEDS)	1		
22	AFFX58A0	PAN HEAD TAPPING SCREW TYPE-P M4X10 CHROME	3		
23	1G03G8A0	FRAME COVER (RAL9003)	1		
	1G058XA0	FRAME COVER (CN80)			
24	AFFX58A0	PAN HEAD TAPPING SCREW TYPE-P M4X10 CHROME	3		
25	1G03SAA0	YOKE ASSY (RAL9003)	1		
	1G05BPA0	YOKE ASSY (CN80)			
26	1G03GLA0	SENSOR PCB	1		
27	CECN46A0	PAN HEAD TAPPING SCREW M3X8 FOR PLASTIC	2		
28	1G03L0B0	LENS COVER SET (RAL9003)	1		AFTER CONSUMING INVENTORY, A NEW LOGO COVER WILL BE DELIVERED.
	1G058ZB0	LENS COVER (CN80)			
29	APNA19A0	NYLON CLAMP NK-2N	2		
30	1E00AAA0	BINDING HEAD SCREW M4X8 CHROME	2		
31	DATT28B0	BRAKE RUBBER	1		
32	ZG041RAG	C-RING M12 BLACK	2		
33	ZG041VAG	C-RING M20 BLACK	1		
34	1P0401A0	300 LED LIGHT HEAD ASSY (RAL9003)	1		
	1P0402A0	300 LED LIGHT HEAD ASSY (CN80)			

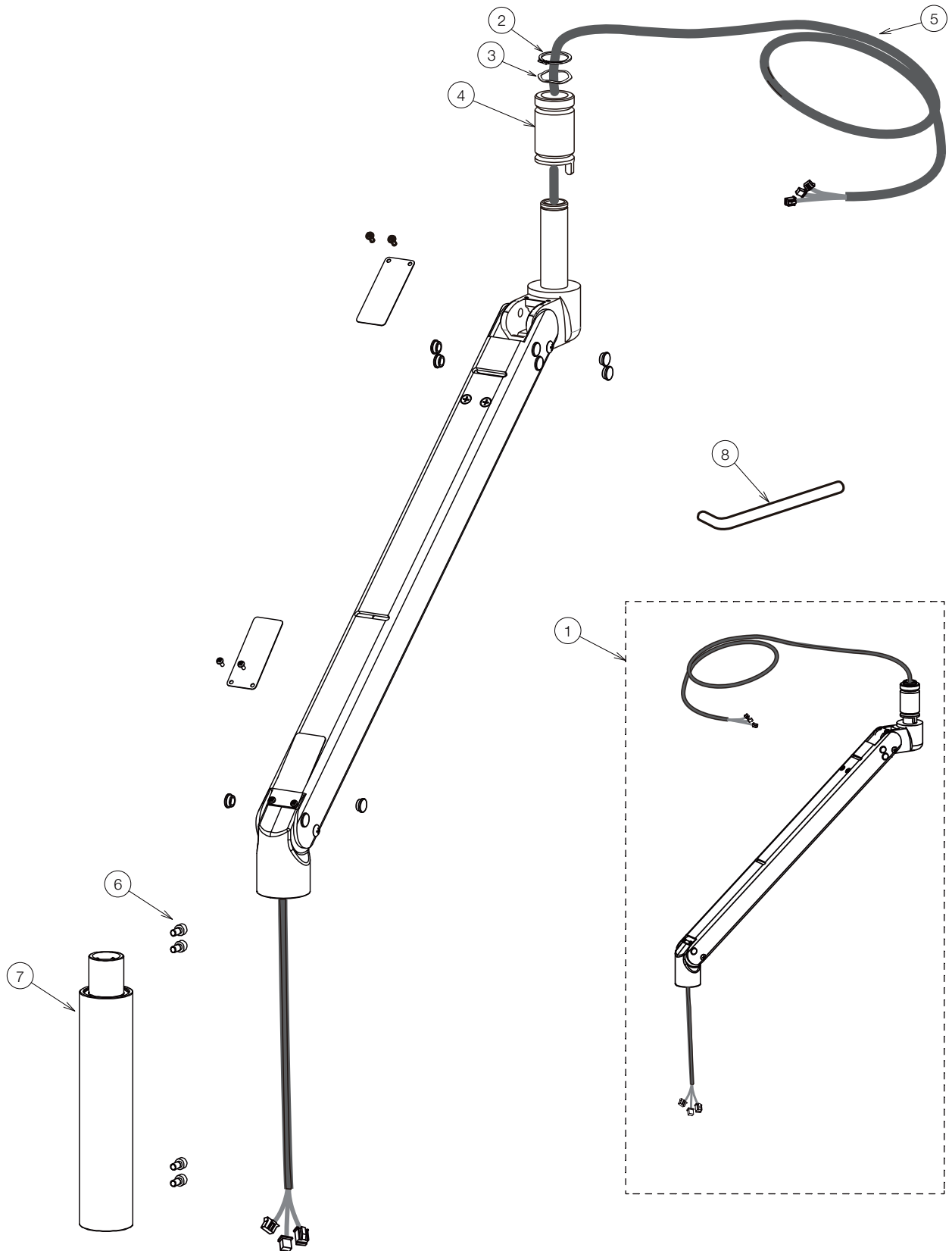
NO.	PARTS NO.	DESCRIPTION	QTY	APPLICABLE SERIAL NO.	NOTE
1	1P0404A0	BALANCE ARM ASSY FOR 301 (RAL9003)	1		
	1P0405A0	BALANCE ARM ASSY FOR 301 (CN80)			
2	CANF43B0	WRENCH FOR SPRING ADJUSTMENT	1		
3	ZA761NRU	HEX SOCKET HEAD CAP SCREW M5X10 SUS	2		
4	CAMF12A0	WASHER 32X8.5X0.3	1		
5	CGDN49A0	H-SHAPED ARM JOINT ASSY (RAL9003)	1		
	1G05CGA0	H-SHAPED ARM JOINT ASSY (CN80)			
6	ZA774LSY	HEX SOCKET SET SCREW (CUP POINT) M4X12 CHROME	2		
7	1E03JZA0	COUNTERSINK SCREW M8X15	4		
8	CAMP65A0	LARGE STOPPER (6 NYLON)	2		
9	CAOC59CR	SWIVEL ARM KNUCKLE (RAL9003)	1		
	1A0HVTA0	SWIVEL ARM KNUCKLE (CN80)			
10	1E03QSA0	COUNTERSINK SCREW M4X15	1		
11	1A0BFTA0	INSIDE ARM LEAD WIRE	1		

ARM SECTION (302)



NO.	PARTS NO.	DESCRIPTION	QTY	APPLICABLE SERIAL NO.	NOTE
1	1P0406A0	BALANCE ARM ASSY FOR 302 (RAL9003)	1		
	1P0407A0	BALANCE ARM ASSY FOR 302 (CN80)			
2	1A0D1SB0	EXTENSION POST (RAL9003)	1		
	1A0HVPB0	EXTENSION POST (CN80)			
3	ZA761NRU	HEX SOCKET HEAD CAP SCREW M5X10 SUS	4		
4	CAMF12A0	WASHER 32X8.5X0.3	1		
5	CGDN49A0	H-SHAPED ARM JOINT ASSY FOR 301 (RAL9003)	1		
	1G05CGA0	H-SHAPED ARM JOINT ASSY FOR 301 (CN80)			
6	ZA774LSY	HEX SOCKET SET SCREW (CUP POINT) M4X12 CHROME	2		
7	1E03JZA0	COUNTERSINK SCREW M8X15	4		
8	CAMP65A0	LARGE STOPPER (6 NYLON)	2		
9	CAOC59CR	SWIVEL ARM KNUCKLE (RAL9003)	1		
	1A0HVTA0	SWIVEL ARM KNUCKLE (CN80)			
10	1E03QSA0	COUNTERSINK SCREW M4X15 CR	1		
11	1A0BFTA0	INSIDE ARM LEAD WIRE	1		
12	CANF43B0	WRENCH FOR SPRING ADJUSTMENT	1		
13	1A0DEEA0	EXTENSION HARNESS (100MM) FOR 302	1		

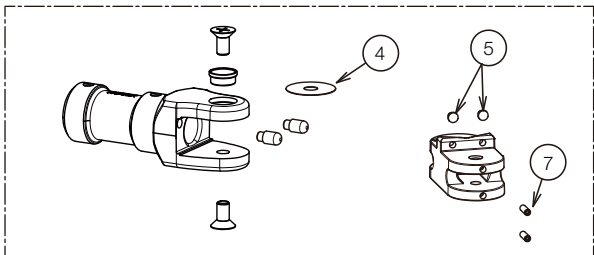
ARM SECTION (305)



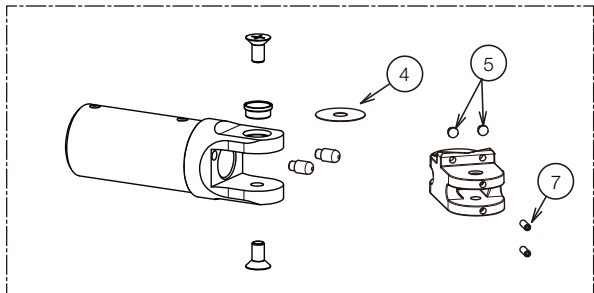
NO.	PARTS NO.	DESCRIPTION	QTY	APPLICABLE SERIAL NO.	NOTE
1	1G0430A0	BALANCE ARM ASSY FOR 305 (RAL9003)	1		
	1G05CSA0	BALANCE ARM ASSY FOR 305 (CN80)			
2	CENX95A0	C-RING	1		
3	CENX96A0	WAVE WASHER	1		
4	CAMG97A0	POLE COLLAR	1		
5	1A0BFTA0	INSIDE ARM LEAD WIRE	1		
6	ZA761NRU	HEX SOCKET HEAD CAP SCREW M5X10 SUS	4		
7	1A0D1SB0	EXTENSION POST (RAL9003)	1		
	1A0HVPB0	EXTENSION POST (CN80)			
8	CANF43B0	WRENCH FOR SPRING ADJUSTMENT	1		

ARM SECTION (320X/320XN/320XC)

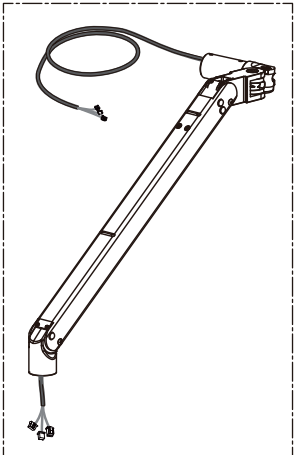
AL-320X / 320XN



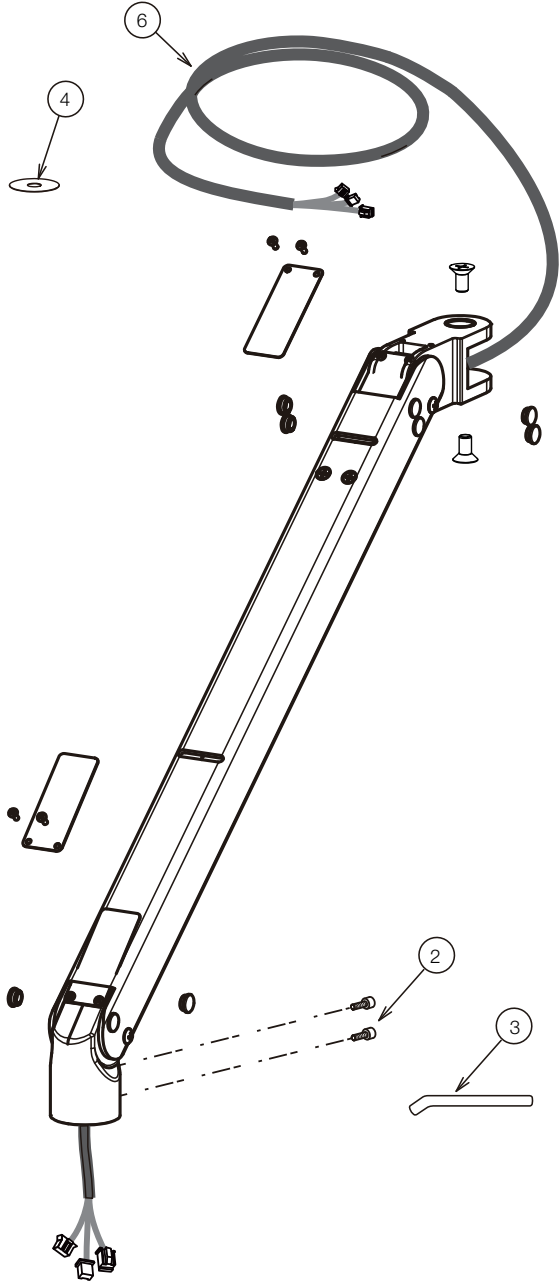
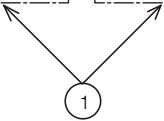
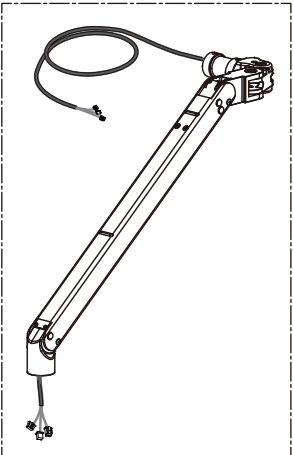
AL-320XC



AL-320XC

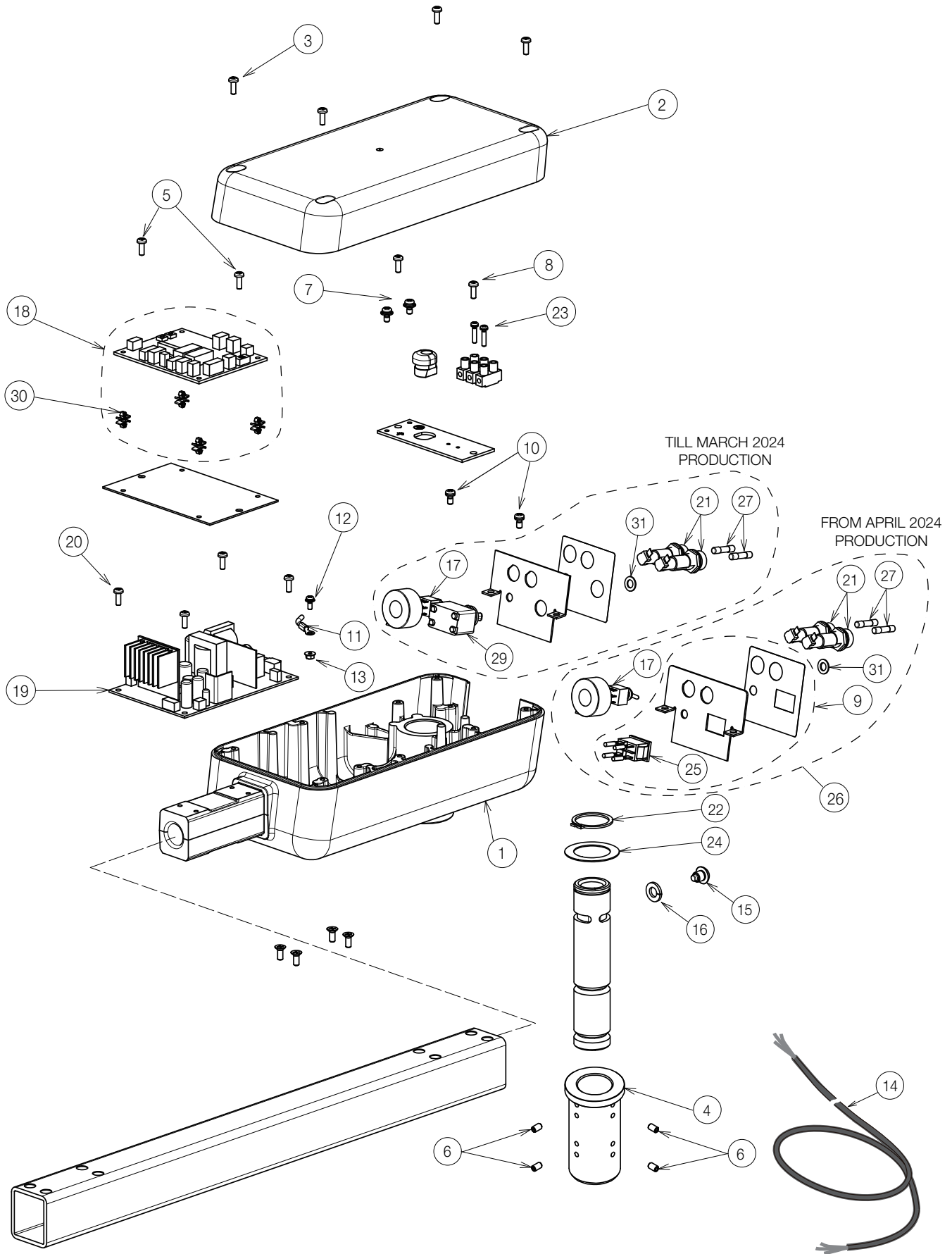


AL-320X / 320XN



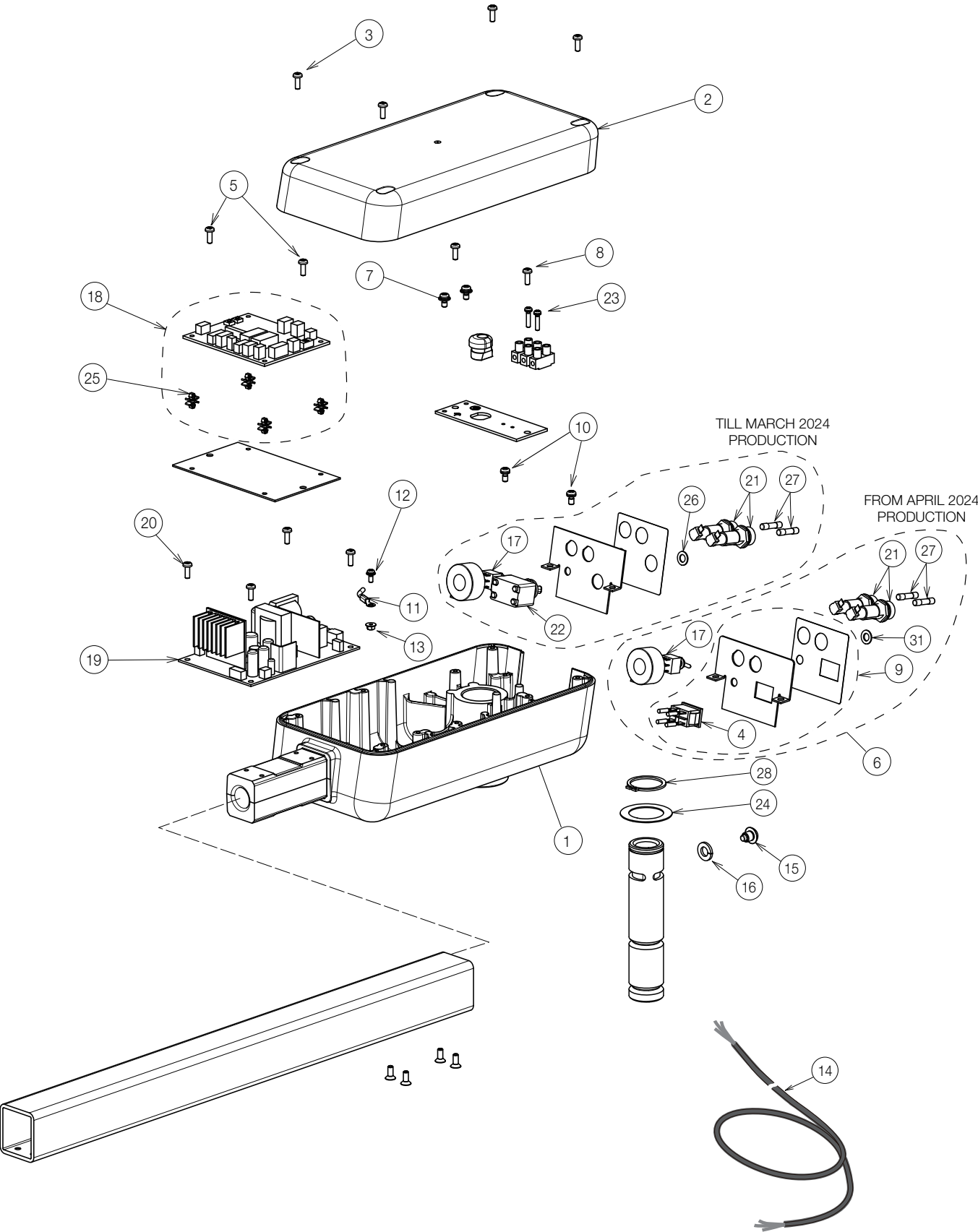
NO.	PARTS NO.	DESCRIPTION	QTY	APPLICABLE SERIAL NO.	NOTE
1	1P040CA0	BALANCE ARM ASSY FOR 320X,320XN (RAL9003)	1		
	1P040DA0	BALANCE ARM ASSY FOR 320XC (CN80)			
2	ZA761NRU	HEX SOCKET HEAD CAP SCREW M5X10 SUS	2		
3	CANF43B0	WRENCH FOR SPRING ADJUSTMENT	1		
4	CAMF12A0	WASHER 32X8.5X0.3	2		
5	CAMP65A0	LARGE STOPPER (6 NYLON)	2		
6	1A0DEPA0	INSIDE ARM LEAD WIRE FOR 320X	1		
7	ZA774LSY	HEX SOCKET SET SCREW (CUP POINT) M4X12 CHROME	2		

POWER SUPPLY BOX SECTION (301)



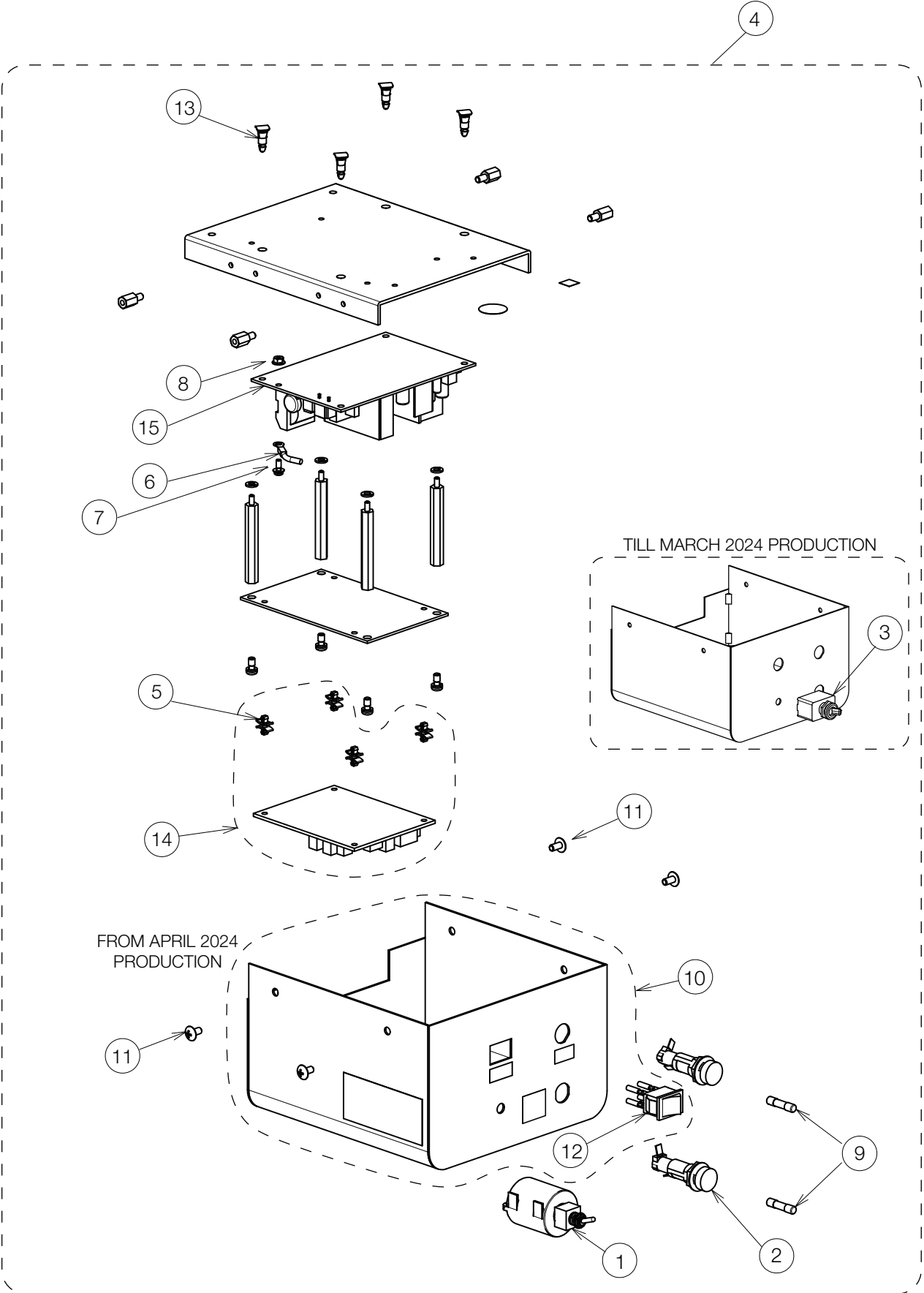
NO.	PARTS NO.	DESCRIPTION	QTY	APPLICABLE SERIAL NO.	NOTE
1	1A0BFMA0	HOUSING (RAL9003)	1		
	1A0HVNA0	HOUSING (CN80)			
2	1A0BFNA0	HOUSING COVER (RAL9003)	1		
	1A0HVJA0	HOUSING COVER (CN80)			
3	ZA111LPY	PAN HEAD SCREW M4X8 CHROME	4		
4	1A0GPFB0	LIGHT ADAPTOR	1		
5	ZA111LPY	PAN HEAD SCREW M4X8 CHROME	2		
6	CENB34B0	HEX SOCKET SET SCREW (CUP POINT) M5X8 CHROME	4		
7	ZA88JLRL	PAN HEAD SEMS SCREW 3P M4X10 BRASS	2		
8	ZA111LPY	PAN HEAD SCREW M4X8 CHROME	2		
9	1P081SA0	ROCKER SWITCH WITH PLATE AND HARNESS FOR 301 (RAL9003)	1		
	1P081TA0	ROCKER SWITCH WITH PLATE AND HARNESS FOR 301 (CN80)			
10	ZA111LPY	PAN HEAD SCREW M4X8 CHROME	2		
11	1A0BMLA0	FUNCTIONAL EARTH LINE FOR POWER PCB	1		
12	ZA88JJPY	PAN HEAD SEMS SCREW 3P M3X8 CHROME	1		
13	ZA901JAY	FLANGE NUT M3 CHROME	1		
14	1A0BMMA0	CT CODE 5000MM FOR 301, NORTH AMERICA SPEC.	1		
15	1A07W2A0	ROTATION STOPPER BOLT M8	1		
16	ZB511PAY	SPRING WASHER M8 CHROME	1		
17	1A0ZUZA0	SENSOR/MANUAL MODE SWITCH ASSY WITH FERRITE CORE	1		PREVIOUS CODE: 1A0HMMB0
18	1P04N0A0	SENSOR CONTROL PCB WITH SPACER	1		
19	1G03JHG0	POWER (SWITCHING) PCB FOR 300	1		
20	ZA111LPY	PAN HEAD SCREW M4X8 CHROME	4		
21	AEFR93B0	FUSE HOLDER 250V-10A	2		
22	CENX94A0	C-RING	1		
23	ZA88JJUY	PAN HEAD SEMS SCREW 3P M3X16 CHROME	2		
24	CAND32A0	WASHER 43X29X0.8	1		
25	1E09JTA0	ROCKER SWITCH	1		
26	1G0AQ2A0	BACK PLATE ASSY FOR ROCKER SWITCH SPEC. FOR 301 (RAL9003)	1		
	1G0AQ1A0	BACK PLATE ASSY FOR ROCKER SWITCH SPEC. FOR 301 (CN80)			
27	CEEN94A0	FUSE 250V/0.8A (T)	2		
28	CEGN46A0	CORD BUSH SR-6L-1	1		
29	-	DISCONTINUED. FOR REPLACEMENT, PLEASE ORDER NO.9 OR 26.	1		
30	CERN39A0	DOUBLE LOCKING SPACER	4		
31	ZB561OAM	WASHER M6X11.5X0.8 BRASS NICKEL	1		

POWER SUPPLY BOX SECTION (302)



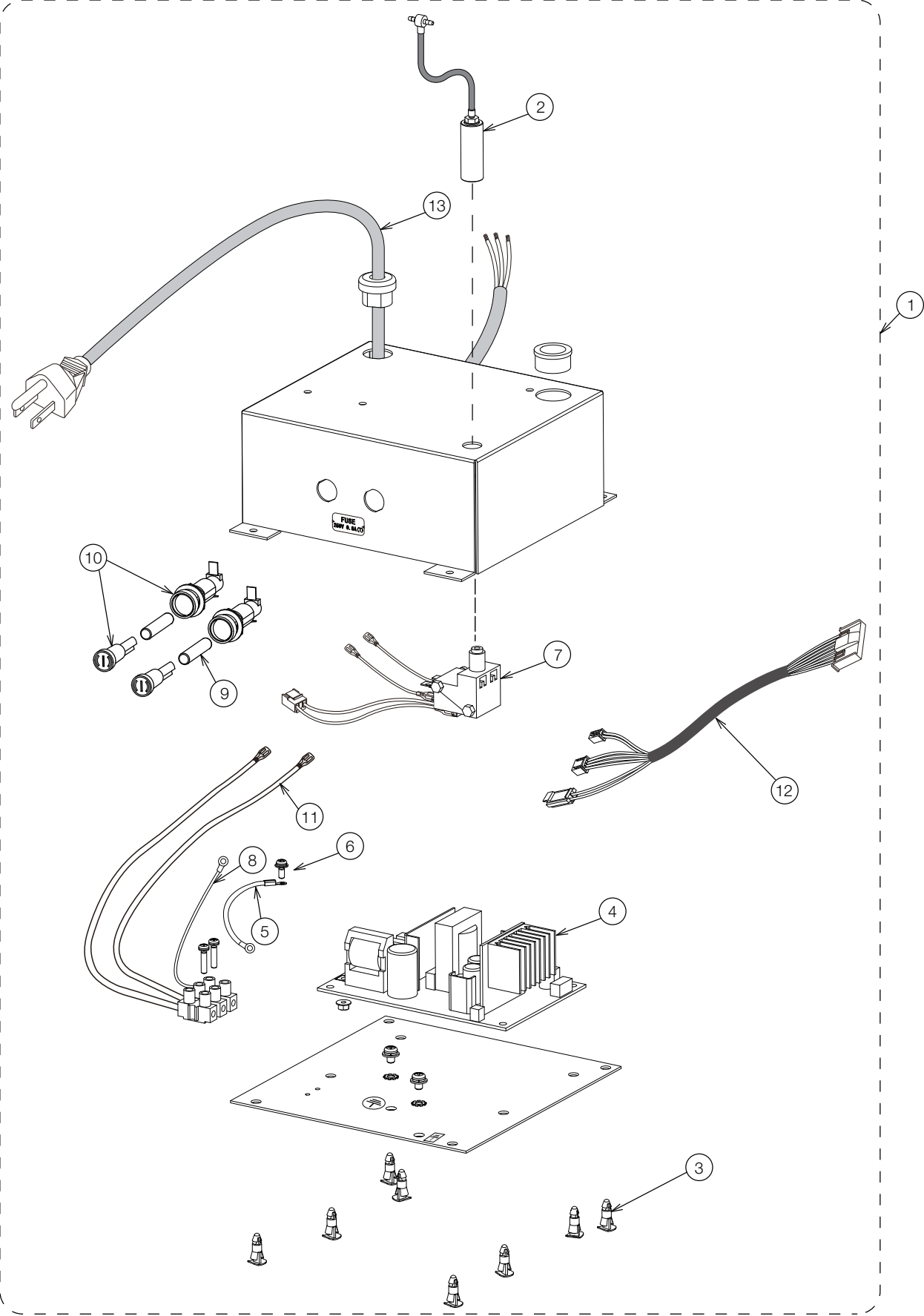
NO.	PARTS NO.	DESCRIPTION	QTY	APPLICABLE SERIAL NO.	NOTE
1	1A0BFMA0	HOUSING (RAL9003)	1		
	1A0HVNA0	HOUSING (CN80)			
2	1A0BFNA0	HOUSING COVER (RAL9003)	1		
	1A0HVJA0	HOUSING COVER (CN80)			
3	ZA111LPY	PAN HEAD SCREW M4X8 CHROME	4		
4	1E09JTA0	ROCKER SWITCH	1		
5	ZA111LPY	PAN HEAD SCREW M4X8 CHROME	2		
6	1G0AQ4A0	BACK PLATE ASSY FOR ROCKER SWITCH SPEC. FOR 302 (RAL9003)	1		
	1G0AQ3A0	BACK PLATE ASSY FOR ROCKER SWITCH SPEC. FOR 302 (CN80)			
7	ZA88JLRL	PAN HEAD SEMS SCREW 3P M4X10 BRASS	2		
8	ZA111LPY	PAN HEAD SCREW M4X8 CHROME	2		
9	1P081UA0	ROCKER SWITCH WITH PLATE AND HARNESS FOR 302 (RAL9003)	1		
	1P081VA0	ROCKER SWITCH WITH PLATE AND HARNESS FOR 302 (CN80)			
10	ZA111LPY	PAN HEAD SCREW M4X8 CHROME	2		
11	1A0BMLA0	FUNCTIONAL EARTH LINE FOR POWER PCB	1		
12	ZA88JJPY	PAN HEAD SEMS SCREW 3P M3X8 CHROME	1		
13	ZA901JAY	FLANGE NUT M3 CHROME	1		
14	CADQ71B0	POWER CABLE 3200MM (SJT)	1		
15	1A07W2A0	ROTATION STOPPER BOLT M8	1		
16	ZB511PAY	SPRING WASHER M8 CHROME	1		
17	1A0ZUZA0	SENSOR/MANUAL MODE SWITCH ASSY WITH FERRITE CORE	1		PREVIOUS CODE: 1A0HMMB0
18	1P04N0A0	SENSOR CONTROL PCB WITH SPACER	1		
19	1G03JHG0	POWER (SWITCHING) PCB FOR 300	1		
20	ZA111LPY	PAN HEAD SCREW M4X8 CHROME	4		
21	AEFR93B0	FUSE HOLDER 250V-10A	2		
22	-	DISCONTINUED. FOR REPLACEMENT, PLEASE ORDER NO.6 OR 9.	1		
23	ZA88JJUY	PAN HEAD SEMS SCREW 3P M3X16 CHROME	2		
24	CAND32A0	WASHER 43X29X0.8	1		
25	CERN39A0	DOUBLE LOCKING SPACER	4		
26	ZB561OAM	WASHER M6X11.5X0.8 BRASS NICKEL	1		
27	CEEN94A0	FUSE 250V/0.8A (T)	2		
28	CENX94A0	C-RING	1		

POWER SUPPLY BOX SECTION (305)



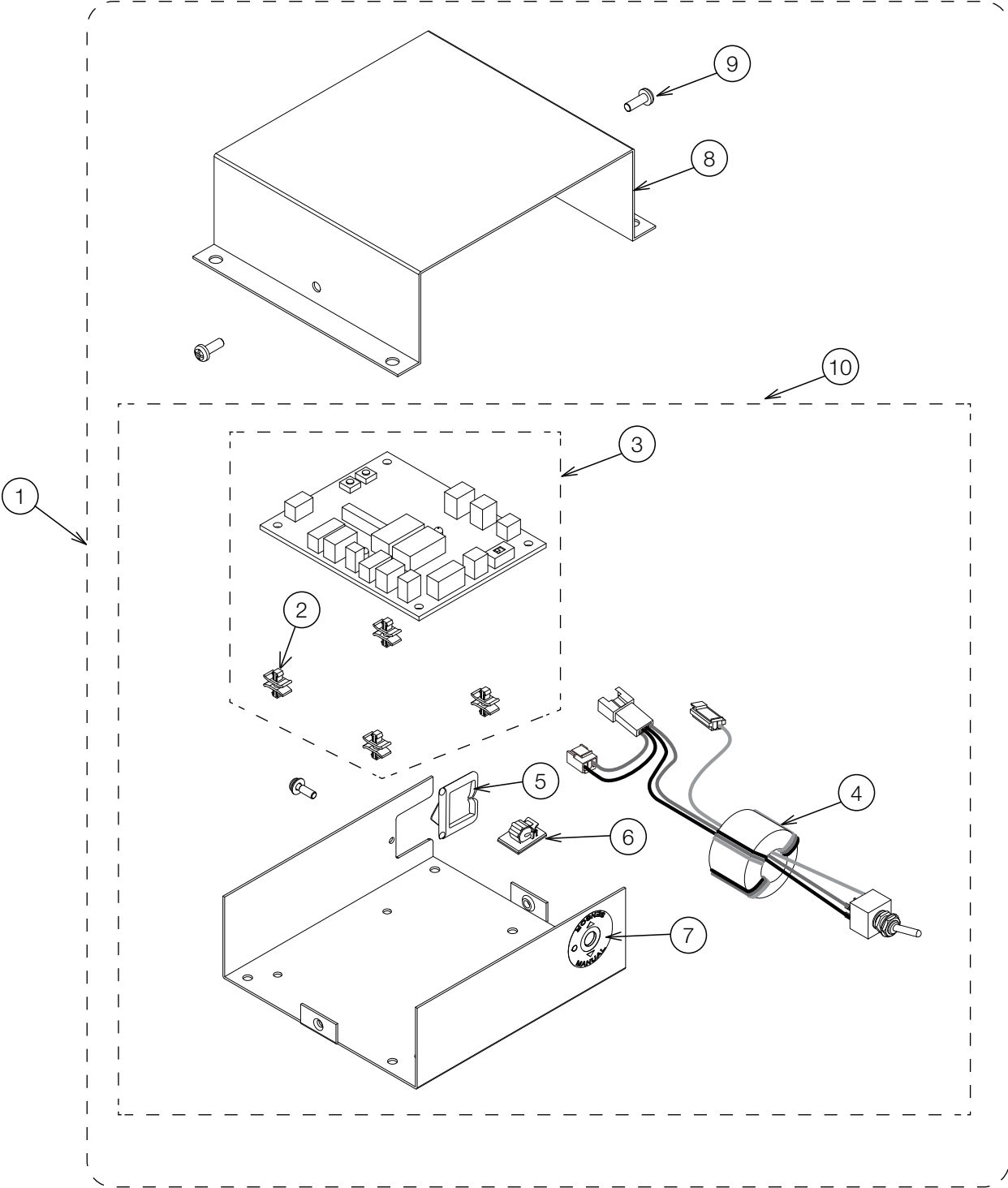
NO.	PARTS NO.	DESCRIPTION	QTY	APPLICABLE SERIAL NO.	NOTE
1	1A0ZUZA0	SENSOR/MANUAL MODE SWITCH ASSY WITH FERRITE CORE	1		PREVIOUS CODE: 1A0HMMB0
2	AEFR93B0	FUSE HOLDER 250V-10A	2		
3	-	DISCONTINUED. FOR REPLACEMENT, PLEASE ORDER NO.4 OR 10	1		
4	1G0AQ6A0	POWER SUPPLY BOX ASSY FOR 305 (RAL9003)	1		
	1G0AQ5A0	POWER SUPPLY BOX ASSY (CN80)			
5	CERN39A0	DOUBLE LOCKING SPACER	4		
6	1A07X8A0	EARTH LEAD FOR POWER PCB	1		
7	ZA88JJPY	PAN HEAD SEMS SCREW 3P M3X8 CHROME	1		
8	ZA901JAY	FLANGE NUT M3 CHROME	1		
9	CEEN94A0	FUSE 250V/0.8A (T)	2		
10	1P081WA0	ROCKER SWITCH WITH BOX AND HARNESS FOR 305 (RAL9003)	1		
	1P081XA0	ROCKER SWITCH WITH BOX AND HARNESS FOR 305 (CN80)			
11	1E01HHA0	TRUSS M4X8 RAL9003	4		
	1E02HPA0	TRUSS M4X8 CN80			
12	1E09JTA0	ROCKER SWITCH	1		
13	DESR05A0	SPACER	1		
14	1P04N0A0	SENSOR CONTROL PCB WITH SPACER	1		
15	1G03JHG0	POWER (SWITCHING) PCB FOR 300	1		

POWER SUPPLY BOX SECTION (320X/320XN/320XC)



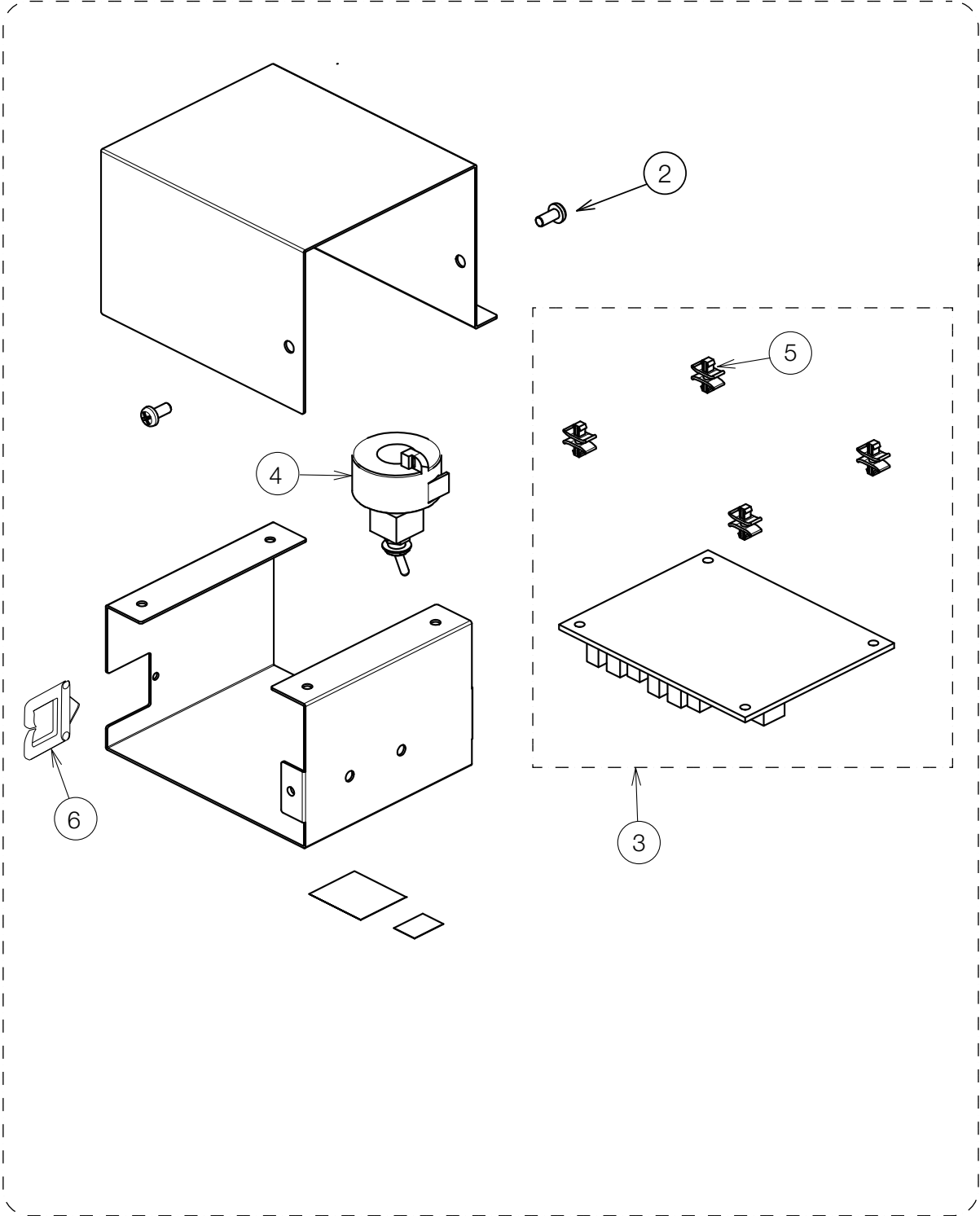
NO.	PARTS NO.	DESCRIPTION	QTY	APPLICABLE SERIAL NO.	NOTE
1	1G042EA0	POWER SUPPLY BOX ASSY FOR 320X/320XN/320XC	1		
2	1G02MBA0	AIR SWITCH CYLINDER ASSY WITH TUBING AND FITTING	1		
3	DESR05A0	SPACER	8		
4	1G03JHG0	POWER (SWITCHING) PCB FOR 300	1		
5	1A07X8A0	EARTH LEAD FOR POWER PCB	1		
6	ZA88JJPY	PAN HEAD SEMS SCREW 3P M3X8 CHROME	1		
7	1G02LKA0	AIR SWITCH BODY ASSY	1		
8	CADQ74A0	EARTH CABLE	1		
9	CEEN94A0	FUSE 250V/0.8A (T)	2		
10	AEFR93B0	FUSE HOLDER 250V-10A	2		
11	1A0DEFA0	FUSE HOLDER RELAY WIRE FOR NORTH AMERICA SPEC.	1		
12	1A08CHB0	POWER PC BOARD SIGNAL WIRE	1		
13	1A04D6B0	CT CODE 1000L	1		

SWITCH BOX SECTION (320X/320XC)



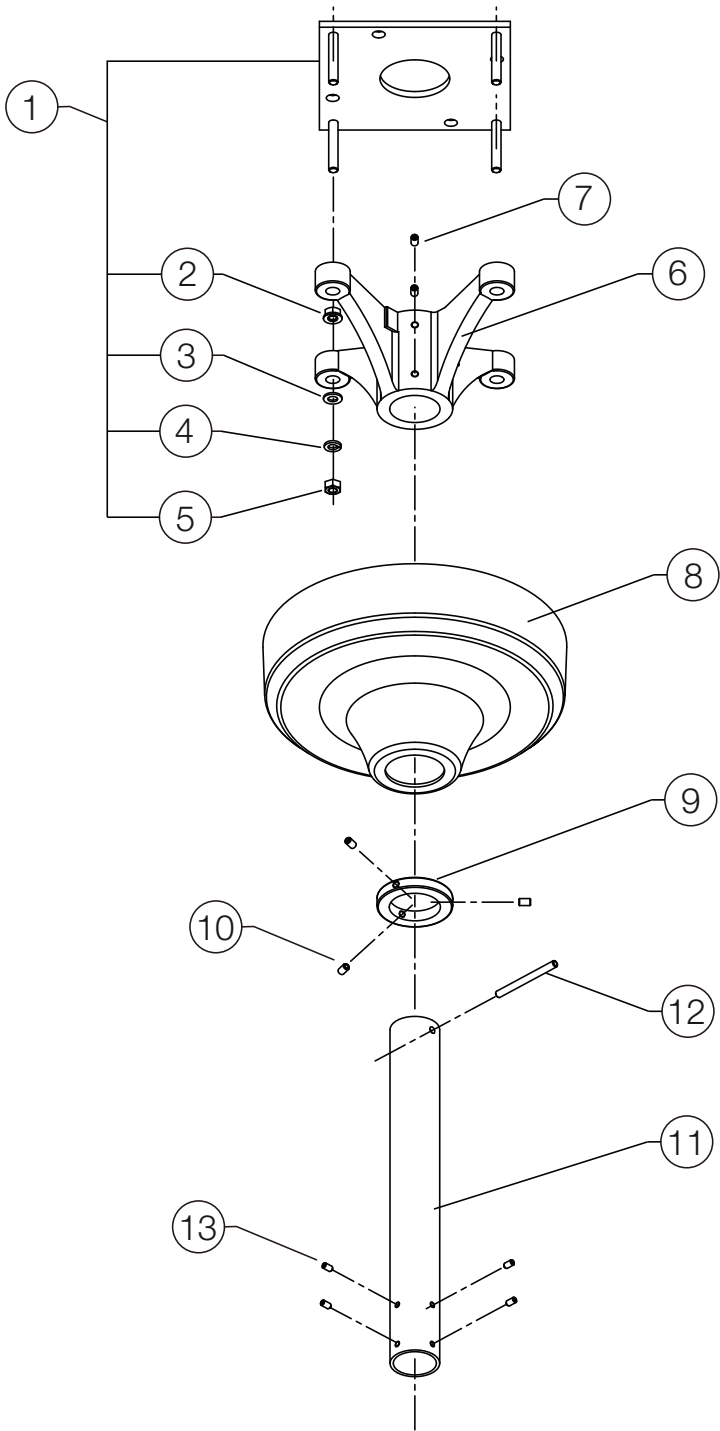
NO.	PARTS NO.	DESCRIPTION	QTY	APPLICABLE SERIAL NO.	NOTE
1	1P081LA0	SWITCH BOX ASSY FOR 320X/920X	1		
	1P081NA0	SWITCH BOX ASSY FOR 320XC/920XC			
2	CERN39A0	DOUBLE LOCKING SPACER	4		
3	1P04N0A0	SENSOR CONTROL PCB WITH SPACER FOR 300 LIGHT	1		
4	1A089UA0	SENSOR/MANUAL MODE SWITCH ASSY FOR CONTROL BOX	1		
5	CETN14A0	EDGE SADDLE FOR CABLE PROTECTION	1		
6	CETN13A0	CLAMP WITH SPONGE	1		
7	1A0HMYA0	LABEL FOR SENSOR/MANUAL MODE SWITCH	1		
8	CATN46CR	SWITCH BOX COVER (RAL9003)	1		
	1A0HWWA0	SWITCH BOX COVER (CN80)			
9	1E00VTA0	PAN HEAD SEMS SCREW M4X10 RAL9003	2		
	1A033FA0	PAN HEAD SCREW M4X10 CHROME N80			
10	1G02LDC0	SWITCH BOX ASSY FOR 320X/920X (NOT INCLUDING BOX COVER)	1		
	1G05BLB0	SWITCH BOX ASSY FOR 320XC/920XC (NOT INCLUDING BOX COVER)			

SWITCH BOX SECTION (320XN)



NO.	PARTS NO.	DESCRIPTION	QTY	APPLICABLE SERIAL NO.	NOTE
1	1P081QA0	SWITCH BOX ASSY FOR 320XN/920XN	1		
2	ZA887LPU	PAN HEAD SEMS SCREW 2P M4X8 SUS	2		
3	1G02A0J0	SENSOR CONTROL PCB	1		
4	1A089UA0	SENSOR/MANUAL SWITCH FOR CONTROL BOX	1		
5	CERN39A0	DOUBLE LOCKING SPACER	4		
6	CETN14A0	EDGE SADDLE FOR CABLE PROTECTION	1		

CEILING POLE SECTION (302)



NO.	PARTS NO.	DESCRIPTION	QTY	APPLICABLE SERIAL NO.	NOTE
1	1P0211A0	MOUNTING PLATE WITH NUT	1		
2	ZA901PAY	FLANGE NUT M8 CHROME	4		
3	CENE00B0	WASHER M8X22X1.6 CHROME	4		
4	ZB511PAY	SPRING WASHER M8 CHROME	4		
5	1E00ABA0	U NUT M8 CHROME	4		
6	TCPA01A0	CEILING FLANGE	1		
7	ZA774OPU	HEX SOCKET SET SCREW (CUP POINT) M6X8 SUS	4		
8	HAMM11B0	FLANGE COVER FOR CEILING LIGHT (RAL9003)	1		
	1A0827A0	CEILING COVER (CN80)			
9	CAMG76B0	COVER RING	1		
10	CENB35B0	HEX SOCKET SET SCREW (CUP POINT) M6X8 (RED MEC THREAD LOCK)	3		
11	1G09C3A0	C POLE SET 380MM (RAL9003) 8FT	1		
	1G09C5A0	C POLE SET 530MM (RAL9003) 8.5FT			
	1G02TTA0	C POLE SET 680MM (RAL9003) 9FT			
	1G02TUA0	C POLE SET 840MM (RAL9003) 9.5FT			
	1G02TVA0	C POLE SET 1000MM (RAL9003) 10FT			
	1G09C4A0	C POLE SET 380MM (CN80) 8FT			
	1G09C6A0	C POLE SET 530MM (CN80) 8.5FT			
	1G02TNA0	C POLE SET 680MM (CN80) 9FT			
	1G02TPA0	C POLE SET 840MM (CN80) 9.5FT			
	1G02TQA0	C POLE SET 1000MM (CN80) 10FT			
12	CAMK40A0	ROLL PIN 6X70	1		
13	ZA772NRY	HEX SOCKET SET SCREW (TRUNCATED CONE POINT) M5X10 CHROME	4		
-	CGRN38B0	CEILING SCREW SET	1		PLEASE REFER TO *1 BELOW

*1 THE CEILING SCREW SET INCLUDES THE FOLLOWING;

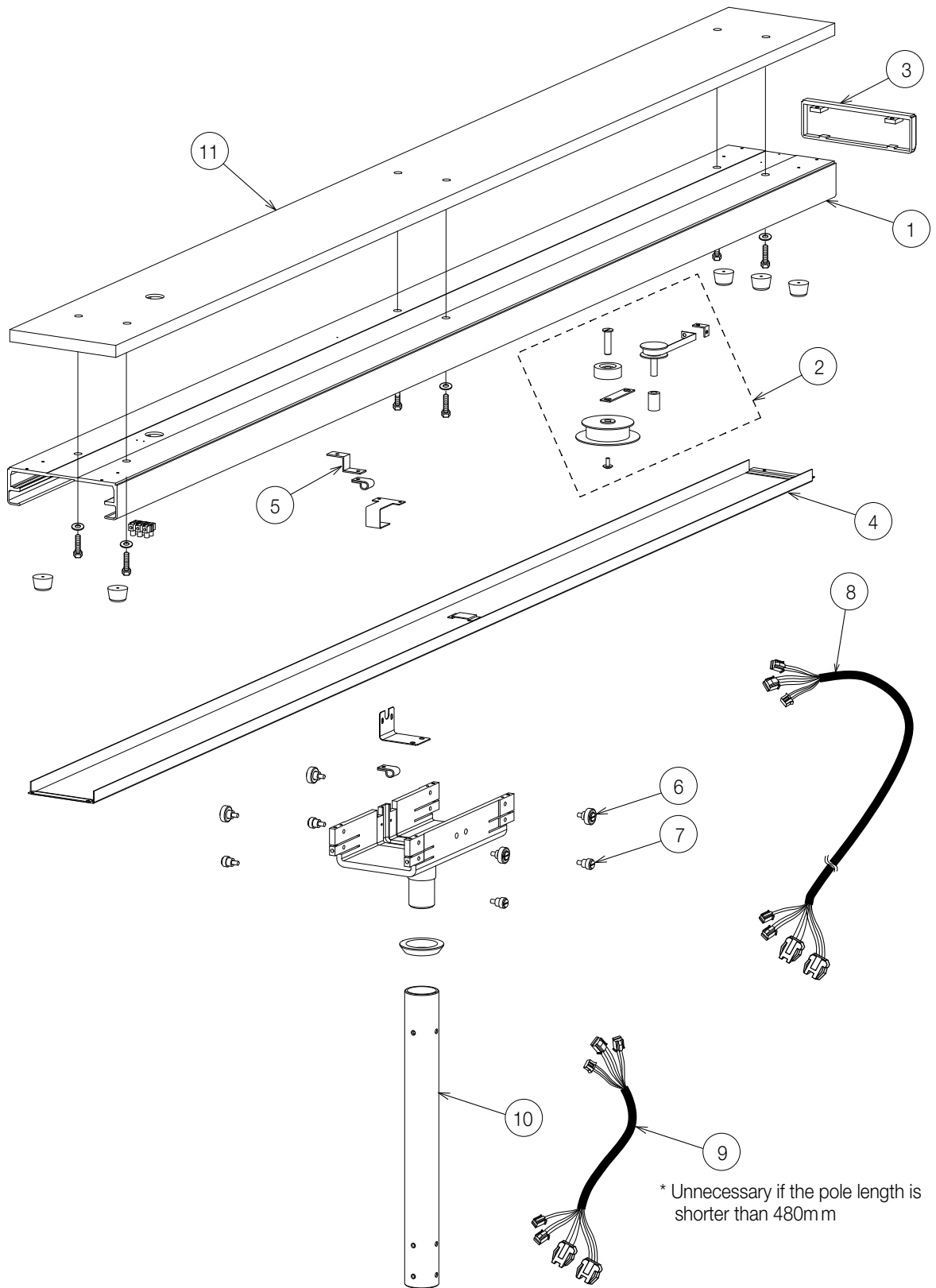
CEILING MATERIAL: WOOD

FLAT WASHER M10, PLATED X 4 PCS
 SPRING WASHER M10, PLATED X 4 PCS
 COACH BOLT M9x100 X 4 PCS

CEILING MATERIAL: STEEL FRAME / CONCRETE

FLAT WASHER M8, PLATED X 4 PCS
 SPRING WASHER M8, PLATED X 4 PCS
 HEX BOLT M8x50 X 4 PCS

TRACK SECTION (305)



NO.	PARTS NO.	DESCRIPTION	QTY	APPLICABLE SERIAL NO.	NOTE
1	CAMM33AR	RAIL (HAMMER TONE COATING RAL9003)	1		
	1A0824A0	RAIL (HAMMER NET COATED, CN-80)			
2	1G0133A0	PULLEY ASSY WITH STICKER	1		
3	1P0214A0	END COVER ASSY (RAL9003)	1		
	1G02EEA0	END COVER ASSY (CN80)			
4	1P02UEA0	CENTER COVER ASSY (RAL9003)	1		
	1P03CYA0	CENTER COVER ASSY (CN80)			
5	CAMV63A0	LEAD WIRE GUIDE (OP/NDL)	1		
6	CGAN76A0	UPPER ROLLER ASSY	4		
7	CGAN77A0	LOWER ROLLER ASSY	4		
8	1A087RA0	TRUNK LINE A (POWER SUPPLY BOX TO YOKE)	1		
9	1A087TA0	TRUNK LINE C (POWER SUPPLY BOX TO YOKE)	1		
10	1G02U7A0	T POLE SET 380MM (RAL9003) 8FT	1		
	1G02U8A0	T POLE SET 530MM (RAL9003) 8.5FT			
	1G02U9A0	T POLE SET 680MM (RAL9003) 9FT			
	1G02UAA0	T POLE SET 840MM (RAL9003) 9.5FT			
	1G02UBA0	T POLE SET 1000MM (RAL9003) 10FT			
	1G02U2A0	T POLE SET 380MM (CN80) 8FT			
	1G02U3A0	T POLE SET 530MM (CN80) 8.5FT			
	1G02U4A0	T POLE SET 680MM (CN80) 9FT			
	1G02U5A0	T POLE SET 840MM (CN80) 9.5FT			
	1G02U6A0	T POLE SET 1000MM (CN80) 10FT			
11	1A0QSDA0	PALLET (UL TYPE/EPA)	1		PREVIOUS CODE: CAPN00D0
-	1G009XA0	HLT PALLET SCREW SET	1		PLEASE REFER TO *1 BELOW
-	CGRN39B0	HLT TRACK SCREW SET	1		PLEASE REFER TO *2 BELOW

*1 THE PALLET SCREW SET INCLUDES THE FOLLOWING;

COACH BOLT M8x75 CHROME X 8PCS
FLAT WASHER M8x16x1.6 CHROME X 8PCS

*2 THE TRACK SCREW SET INCLUDES THE FOLLOWING;

HEX BOLT M8x25 PLATED X 6PCS
FLAT WASHER M8 PLATED X 6PCS

REVISION RECORD

DATE		CONTENT
26-Aug-24	1E05BLBE	Publish



Importer in U.S.A.
BELMONT EQUIPMENT,
Division of Takara Belmont USA, Inc.

101 Belmont Drive, Somerset, New Jersey 08873 U.S.A.

TEL : (732) 469-5000 / (800) 223-1192

FAX : (732) 356-1035

Importer in Canada
TAKARA COMPANY, CANADA, LTD.

2455 Meadowvale Blvd. Mississauga, Ontario L5N 5S2, Canada

TEL : (905) 816-8965

www.belmont.ca

TAKARA BELMONT CORPORATION

2-1-1, Higashishinsaibashi, Chuo-ku, Osaka, 542-0083, Japan

TEL : +81-6-6213-5945

FAX : +81-6-6212-3680

