



## Clesta LED

LED Dental Light

# ■ Clesta LED

## Dental Light

A blend of LED capabilities and ease of use delivers a bright and comfortable work environment.

### Easy on the Eyes

A stepless light adjustment provides operators with the ability to fine-tune illumination to fit individual operatory lighting conditions. Adjustment on light intensity creates a comfortable work setting by minimizing eye fatigue.

### Positioning Flexibility

A three-axis light head rotation provides operators with the flexibility to direct illumination precisely where it is needed within the patient's oral cavity.



### Color Rendering

The 5 LED bulb array provides cool white light that is excellent for tooth shade matching and differentiation of soft tissues.

### Asepsis Benefit

Touchless sensor facilitates hands-free activation for minimizing the risk of cross-contamination of the light head surfaces.



## ■ Direct Illumination

---

Direct LED illumination maximizes efficiency and does not require a cooling fan.

## ■ Practicality

---

Long LED life and low power consumption adds to operatory efficiency.

## ■ Useful Through Obstruction

---

Shadowless illumination technology allows for uninterrupted lighting to the patient oral cavity, even with a 50% obstruction between the light head and the patient.



## ■ Mounting Options

---

Configurations include ceiling mount, track mount, post mount, curved post unit mount, swing mount.



Type 302 Ceiling Mount



Type 301 Post Mount

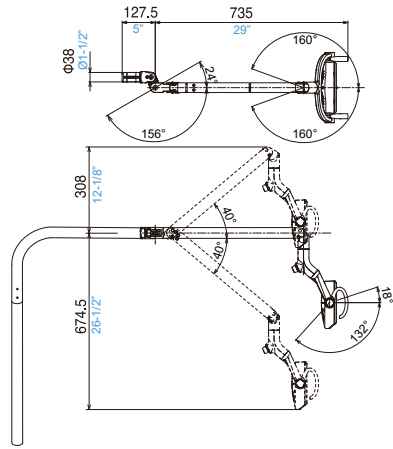


Type 305 Track Mount

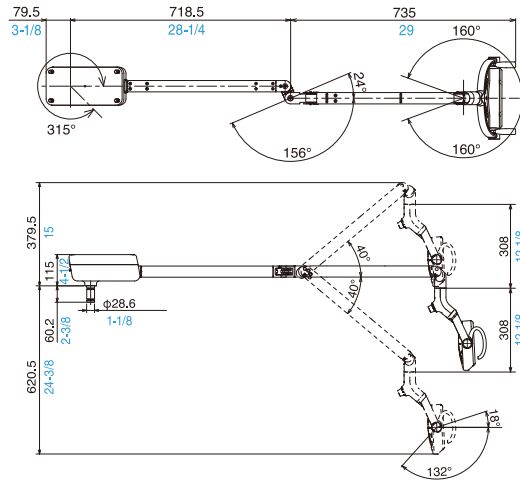


Type 320 Unit Mount

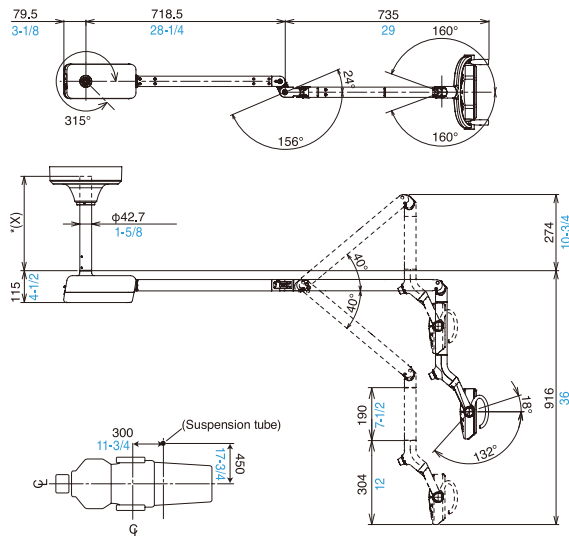
### AL-320 Unit Mount



### AL-301 Post Mount

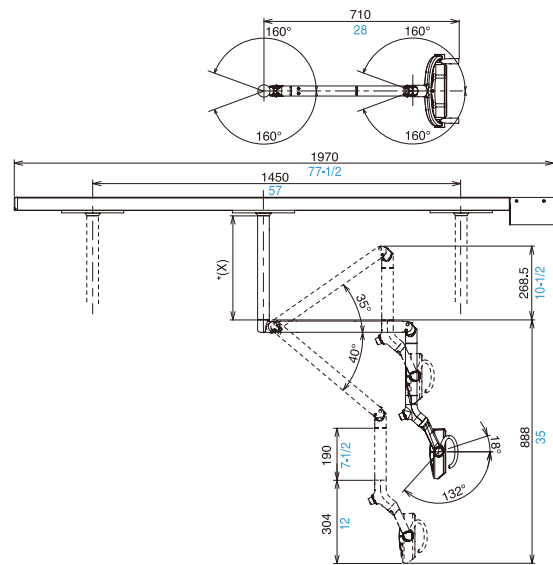


### AL-302 Ceiling Mount



Suspension tube location relative to chair position for a right-handed dentist.

### AL-305 Track Mount



Unit : mm  
inch

\*Select suspension tube length based upon ceiling height

# SPECIFICATIONS

Light Source:	Five LEDs
Focal Distance:	25-5/8" (650 mm)
Intensity:	288 - 2,601 FTC (Stepless)
Composite Safe Mode:	288 FTC
Color Temperature:	5,000° K at any intensity
Color Rendering Index:	85
Light Pattern:	3-3/8" x 6-1/8" (85 x 155 mm)
Operation:	Touchless sensor
Intensity Adjustment:	Stepless rotating knob
Head Positioning:	Rotation of head at three axis

Belmont Equipment  
101 Belmont Drive  
Somerset, NJ 08873  
(800) 223-1192  
www.belmontequip.com

Takara Company Canada Ltd.  
2076 South Sheridan Way  
Mississauga, ON  
L5J 2M4, Canada  
(800) 268-5351  
dental.takarabelmont.ca

**Belmont**  
Delivering Value in Quality

@BelmontEquipUS

