

D-Series Dental Cabinetry System

Installation Manual

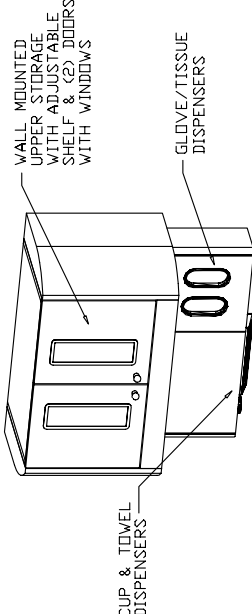
Model: D-2



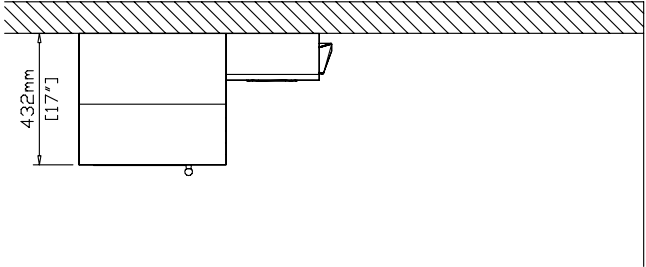
1631 Dr. Martin Luther King Drive
St. Louis, MO 63106
(314) 231-7383 1-800-325-7373
Fax (314) 621-2296
www.belmontequip.com

Model: D-2 Dimensions

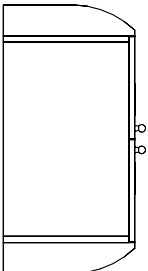
Description: D-2 WALL MOUNTED UPPER STORAGE



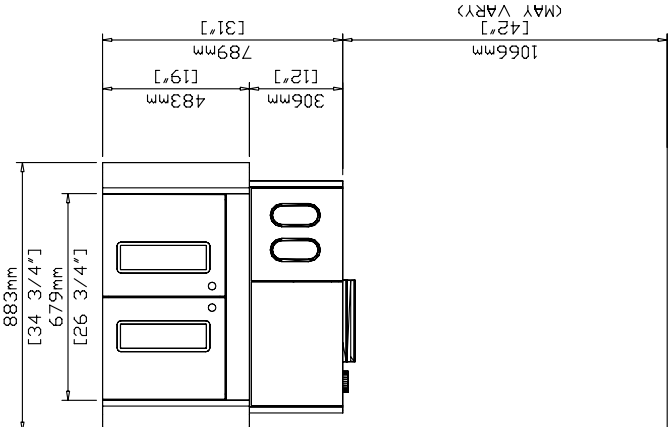
ISOMETRIC VIEW



RIGHT SIDE VIEW



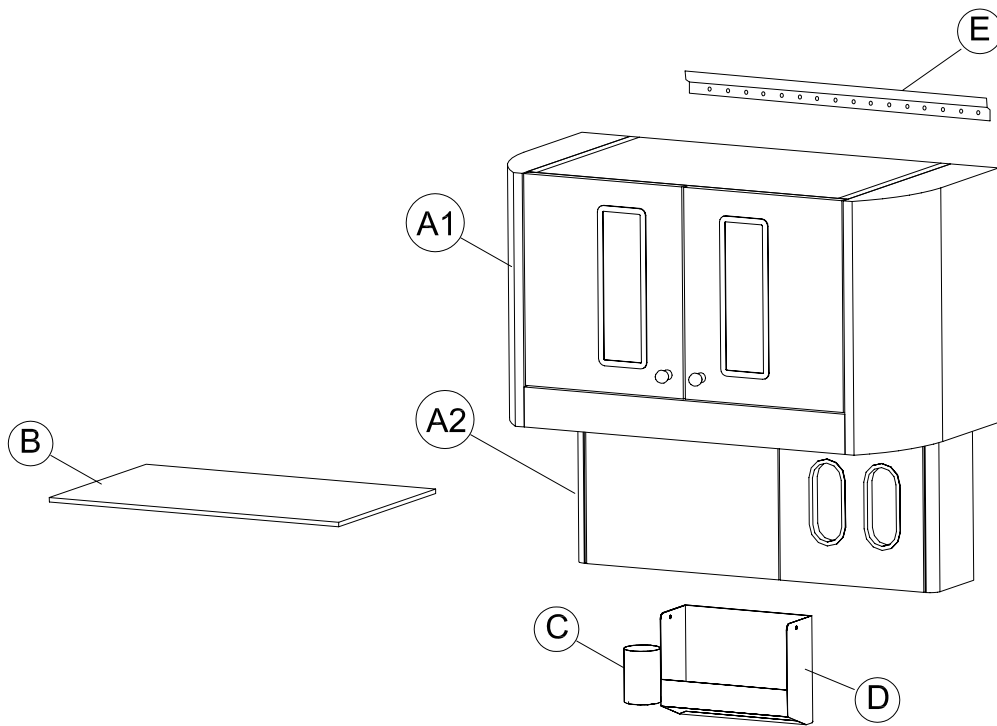
TOP VIEW



FRONT VIEW

D-2 Assembly Instructions

Component Identification



Component Identification

- (A1) D-2U Wall Mount Storage Cabinet (Upper)
- (A2) D-2L Wall Mount Storage Cabinet (Lower)
- (B) Glass Shelf
- (C) Cup Dispenser
- (D) Towel Dispenser
- (E) Wall Mount Channel (Z-Bar)

D-2 Assembly Instructions

Step 1

Locate where the storage cabinet is to be mounted on the wall. 73" from the floor to the top of the cabinet is the suggested location. See Figure 1. Note the location needed for the outlet in the wall if the cabinet has the option 91-040 task light.

Make a horizontal mark on the wall 71 1/4" above the floor about 27" long centering the line where the center of the cabinet will be. Make sure this line is level. This will be the centerline of the holes to be drilled into the wall.

Important!

Before drilling the holes for the wall mounting channel (z-bar) you will need to decide how best to fasten it to the wall depending on the walls construction. Its recommended that you fasten into structural members where possible such as wood or metal studs. You may screw directly into studs with the appropriate screw type.

Mounting the z-bar to drywall only you may use the manufacturer recommended fasteners: (six zip-it screws with #8 x 3/4" pan head screws or six molly screws).

Step 2

Hold z-bar (E) up to the wall at the location you made the horizontal line. Line up the center of the holes in the z-bar with line. Mark your hole centers that you will be fastening through. See Figure 2A

If screwing directly into a structural member you may do so now. Make sure the z-bar is level before completing. **Skip to Step 4.**

If you will be using zip-it or molly screws you will need to drill appropriate sized holes for the type of fastener at the locations marked.

Zip it screws: Drive the zip-it screws into hole locations until the top is flush with the drywall. See Figure 2B.

Molly screws: Drill 3/8" holes into the drywall at desired locations and insert the molly inserts into the holes until the top is flush with the drywall. See Figure 2C. Fully thread the molly screws into the molly inserts to compress & secure them to the drywall then remove the screws. See Figure 2D.

Step 3

Place the z-bar into location and drive fasteners through the holes and into the zip-it or molly inserts already mounted into wall. See Figure 3A. Make sure the z-bar is level.

If using the molly screws make sure you tighten the screws sufficiently for the molly inserts to properly grip drywall. See Figure 3B

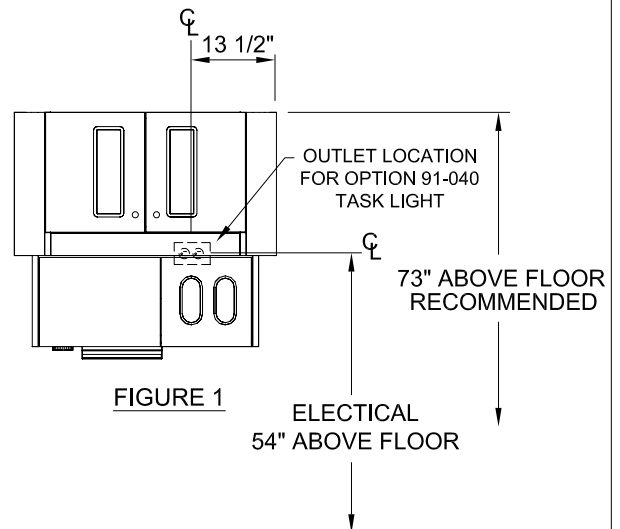
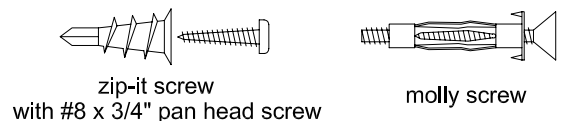


FIGURE 1



zip-it screw with #8 x 3/4" pan head screw

molly screw

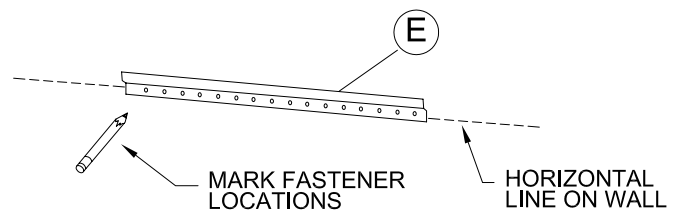


FIGURE 2A

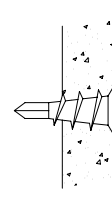


FIGURE 2B

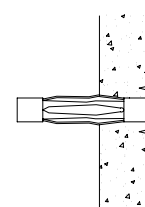


FIGURE 2C

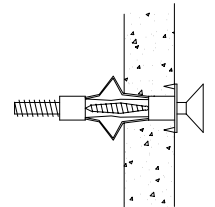


FIGURE 2D

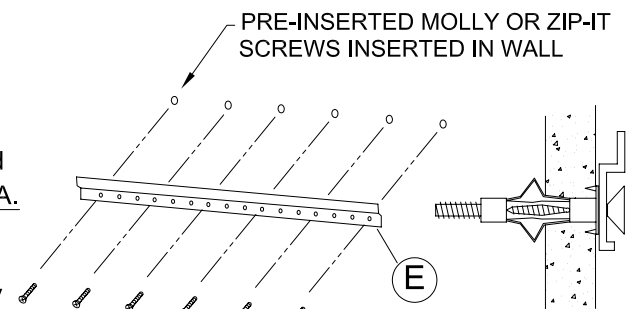


FIGURE 3A

FIGURE 3B

D-2 Assembly Instructions

Step 4

Hang the cabinet (A1) onto the z-bar (E) by placing cabinet against the wall above the z-bar then sliding down the wall until the hanger clips on the back of the cabinet snag the z-bar. See Figure 4A

For section view of hanger clip and z-bar fastened together See Figure 4B

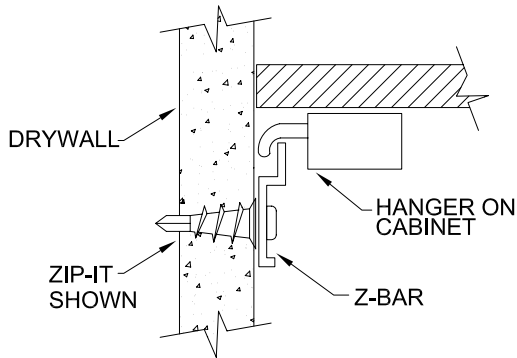


FIGURE 4B

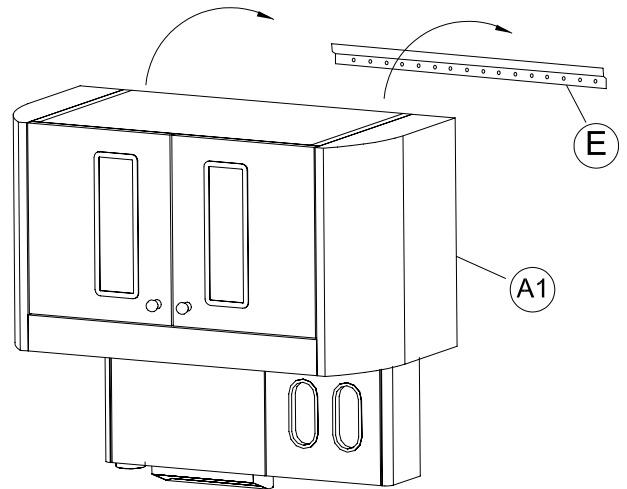


FIGURE 4A

Step 5

To tighten the cabinet to the z-bar locate the hanger bracket inside the cabinet doors at the upper interior corners. Using a screwdriver turn the screw clockwise to tighten. See Figure 5 There is a 14mm front to back adjustment range. Tighten this screw on both hanger brackets.

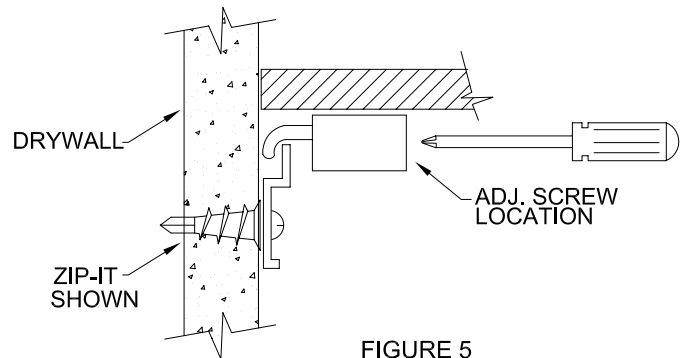


FIGURE 5

Step 6

If unit includes option 91-040 task light make electrical connections to wall receptacle.

Step 7

Mark hole locations for fasteners through (4) holes in the back of the (A2) lower section. Remove the (2) wood screws holding the (A2) lower section to the (A1) upper section and remove the (A2) lower section. See Figure 7A

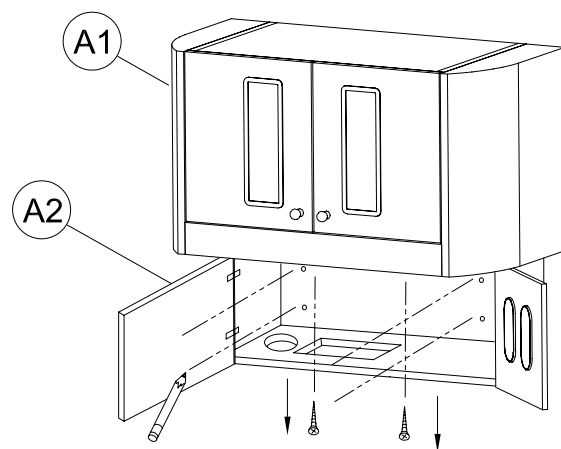


FIGURE 7A

MARK FASTENER LOCATIONS

D-2 Assembly Instructions

Step 7

Select what type of fastener to use and follow methods described within Step 2 to insert zip-its or mollies. See Figure 7B.

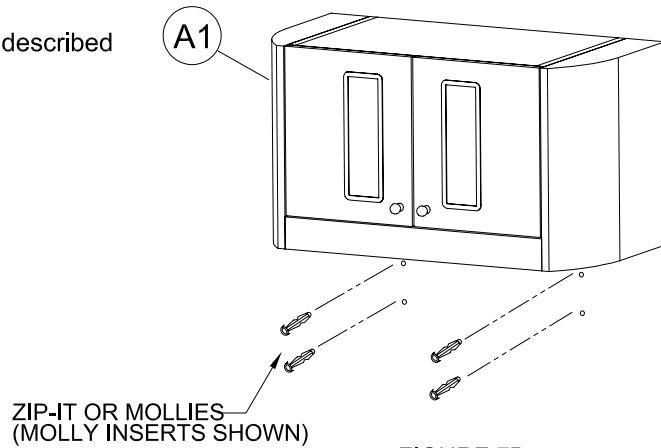


FIGURE 7B

Step 8

Secure the lower cabinet (A2) to the upper by screwing in (2) #8 x 1 1/2" wood screws first then screw in the appropriate screws for the zip-it or molly inserts. See Figure 8

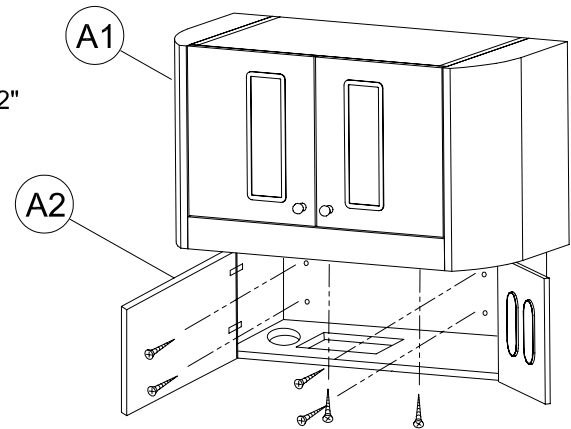


FIGURE 8

Step 9

Open the lower left door and insert the cup dispenser (C) through the hole and the towel dispenser (D) through the rectangular cutout. See Figure 9

Open upper doors and insert glass shelf support pins into holes and then set glass shelf (B) onto the support pins.

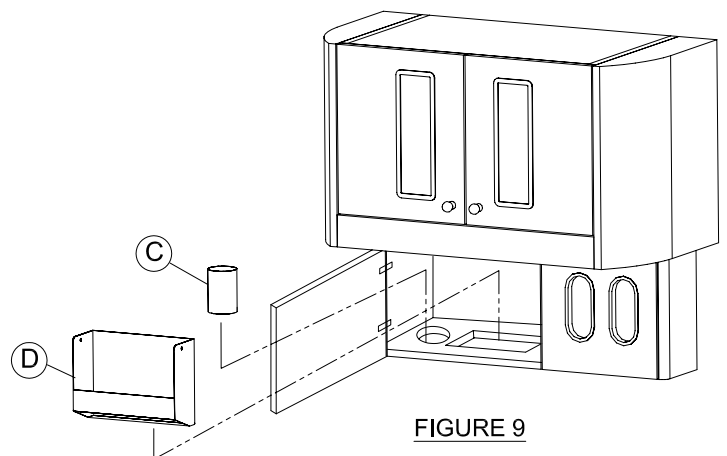


FIGURE 9

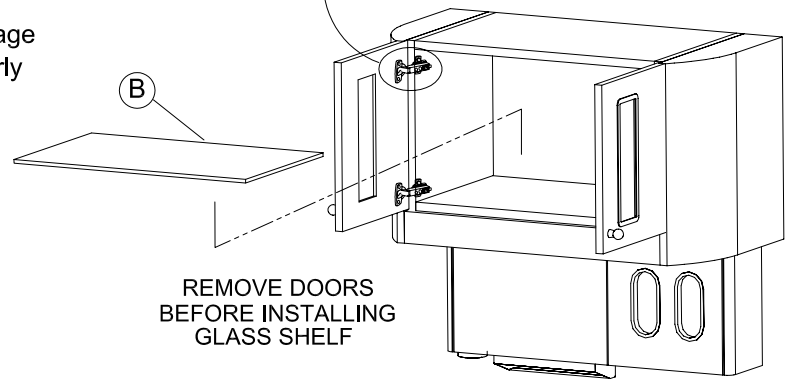
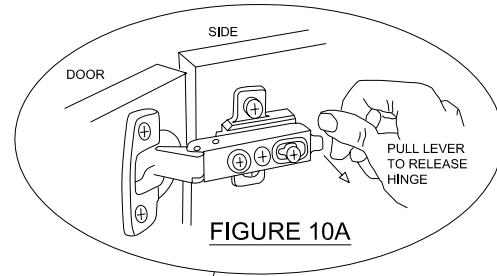
D-2 Assembly Instructions

Step 10

Remove upper doors (to install glass shelves) by opening doors and pulling up on the tab at the end of the hinge base plate mounted on the inside of the cabinet. See Figure 10A

Insert glass shelf support pins into holes on the inside end panels and then set glass shelf (B) onto the support pins. See Figure 10B

Replace the doors by lining up the hinge and hinge plate then snap the hinge in place. See separate instruction page regarding adjusting the hinges if the doors are not properly aligned.



Installation Complete

Adjustment Instructions for Concealed Hinges and Drawers

3-Dimension Adjustment for Snap-On Hinge

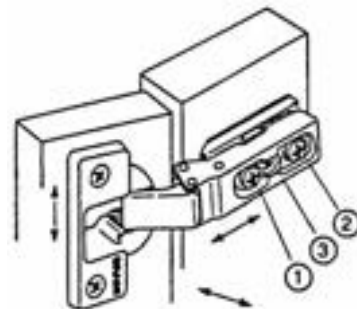
Note: Remove Cover Cap

Allows for three-way adjustments in the hinge arm.
The side adjustment is a micro adjustment. The depth and height adjustment is held by a grid system.

Use #2 POZIdrive screwdriver to adjust screws.

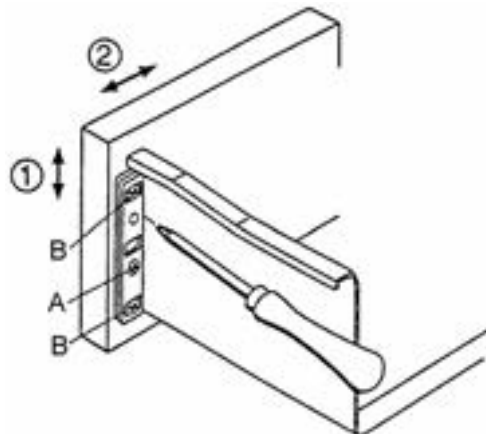
- 1 – Side adjustment
- 2 – Depth adjustment
- 3 – Height adjustment

Release Latch

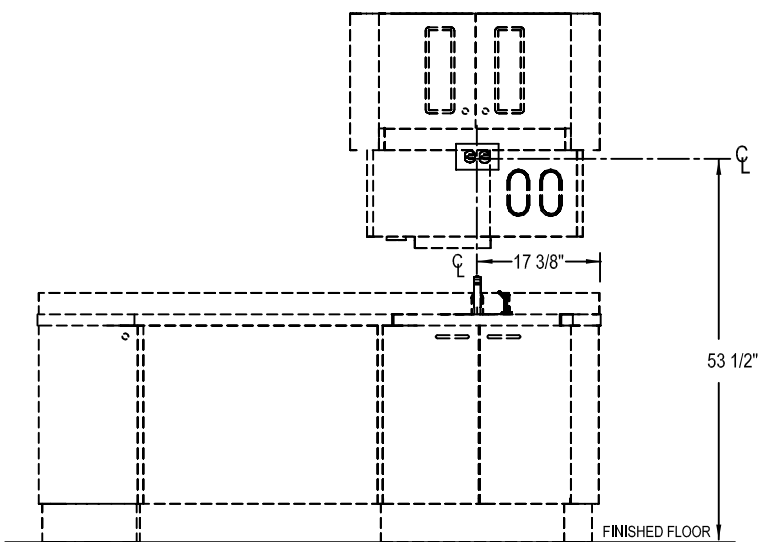
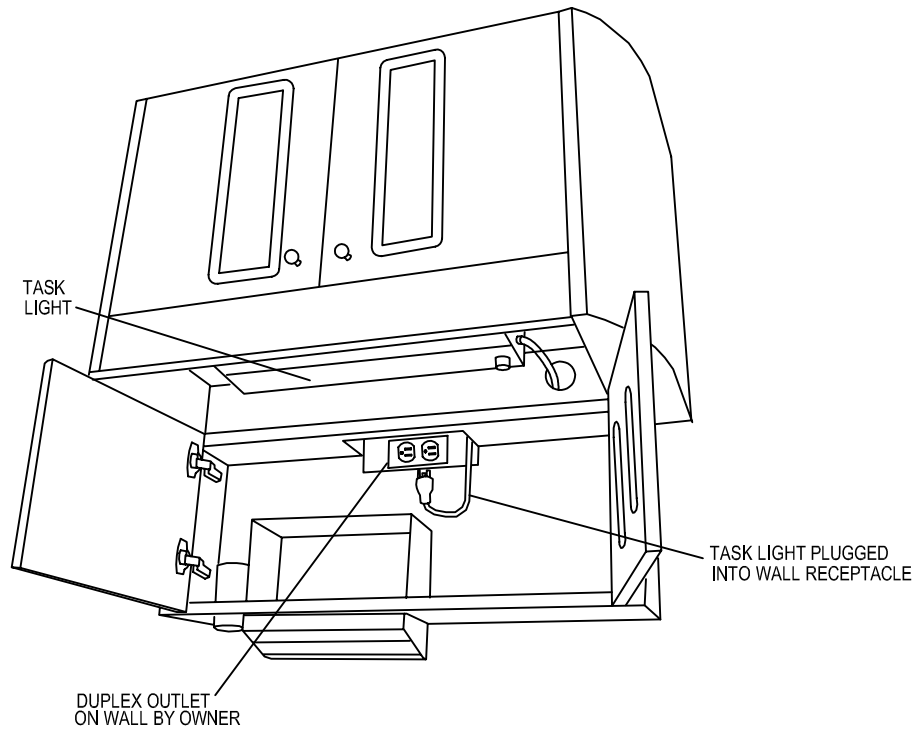


Adjustment for Drawer

- 1 – Height adjustment: Loosen screws **B** slightly. Adjust screw **A** (adjustment +/- 2mm). Tighten screws **B**.
- 2 - Side adjustment: Loosen screws **B** slightly. Adjust front to required position (adjustment range +/- 1.5mm). Tighten screws **B**.

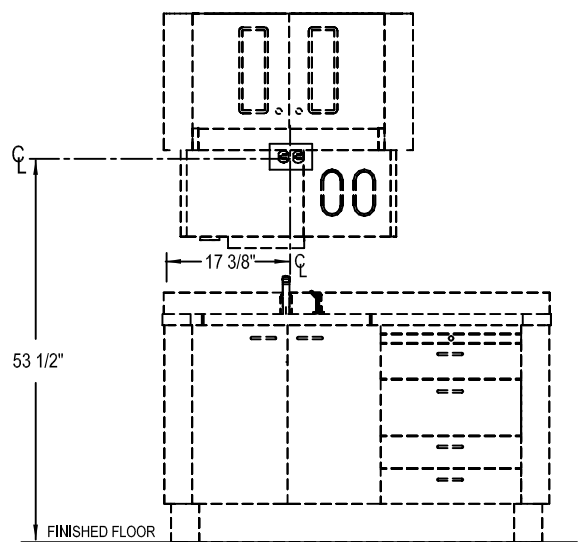


D-2 ELECTRICAL HOOKUP



ELEVATION D-1 with D-2

MFG'S. RECOMMENDED
OUTLET MOUNTING LOCATION



ELEVATION D-3 with D-2

MFG'S. RECOMMENDED
OUTLET MOUNTING LOCATION