

D-Series Dental Cabinetry System

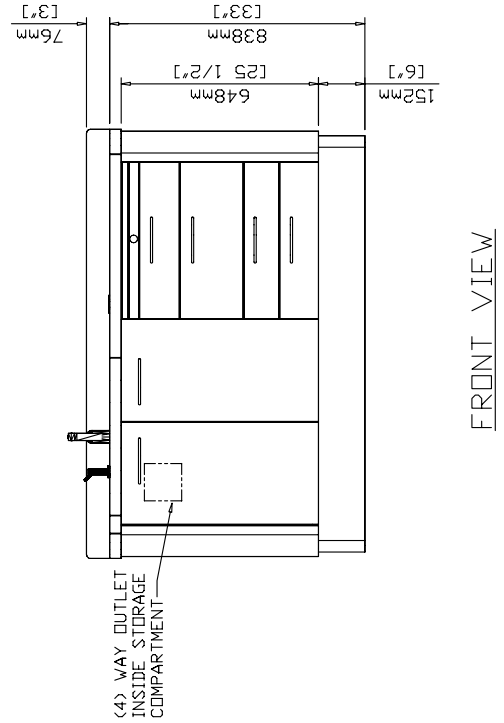
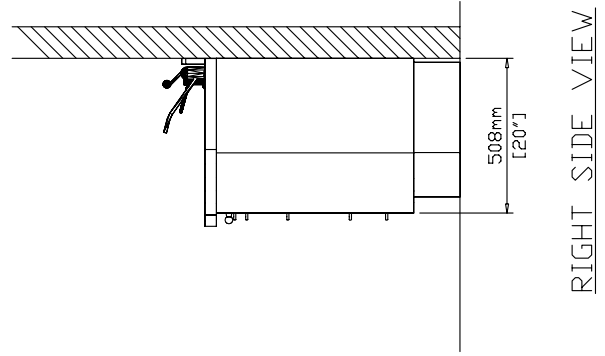
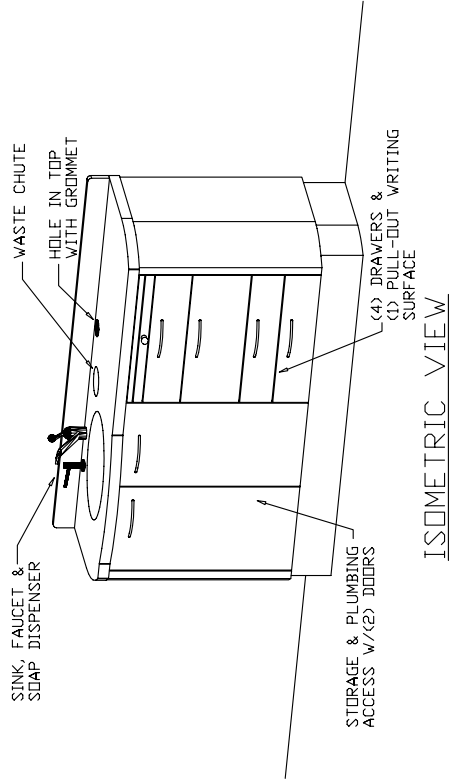
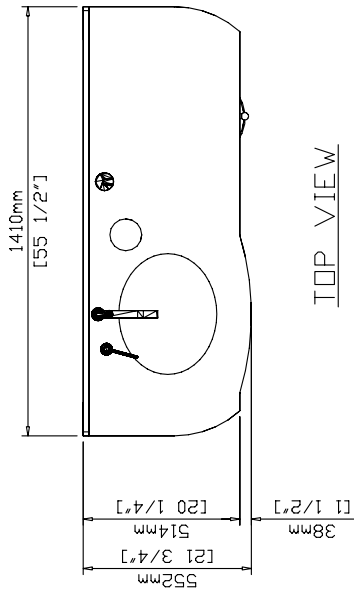
Installation Manual

Model: D-3



1631 Dr. Martin Luther King Drive
St. Louis, MO 63106
(314) 231-7383 1-800-325-7373
Fax (314) 621-2296
www.belmontequip.com

Description: D-3 ASSISTANT'S CONSOLE



Model: D-3 Dimensions

Adjustment Instructions for Concealed Hinges and Drawers

3-Dimension Adjustment for Snap-On Hinge

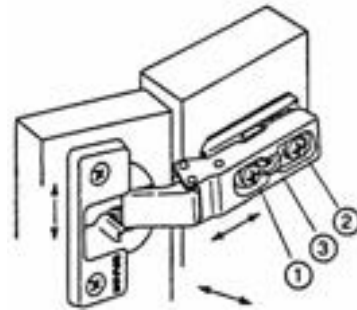
Note: Remove Cover Cap

Allows for three-way adjustments in the hinge arm.
The side adjustment is a micro adjustment. The depth and height adjustment is held by a grid system.

Use #2 POZIdrive screwdriver to adjust screws.

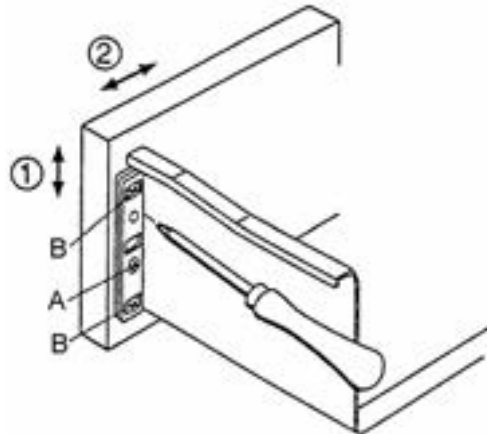
- 1 – Side adjustment
- 2 – Depth adjustment
- 3 – Height adjustment

Release Latch

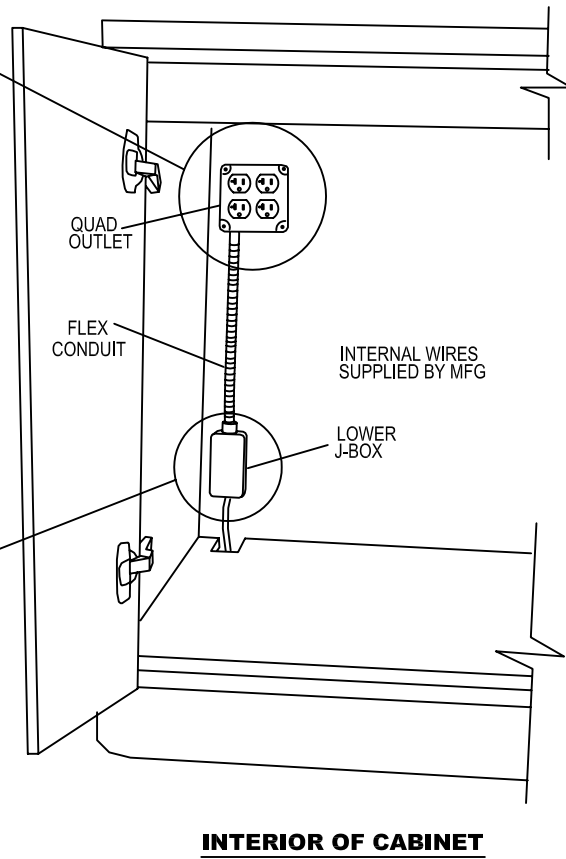
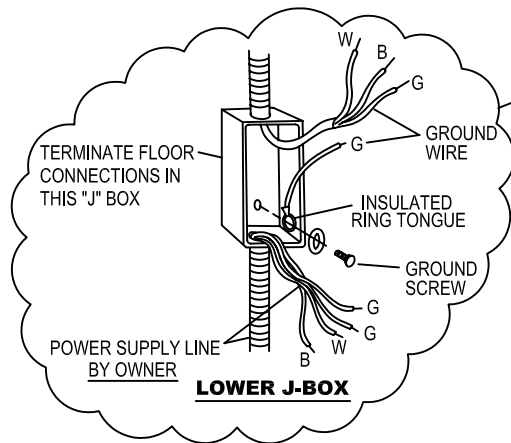
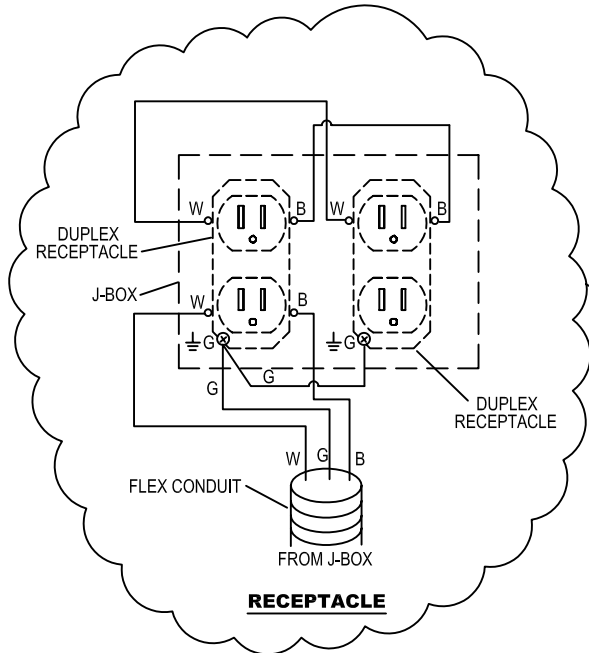


Adjustment for Drawer

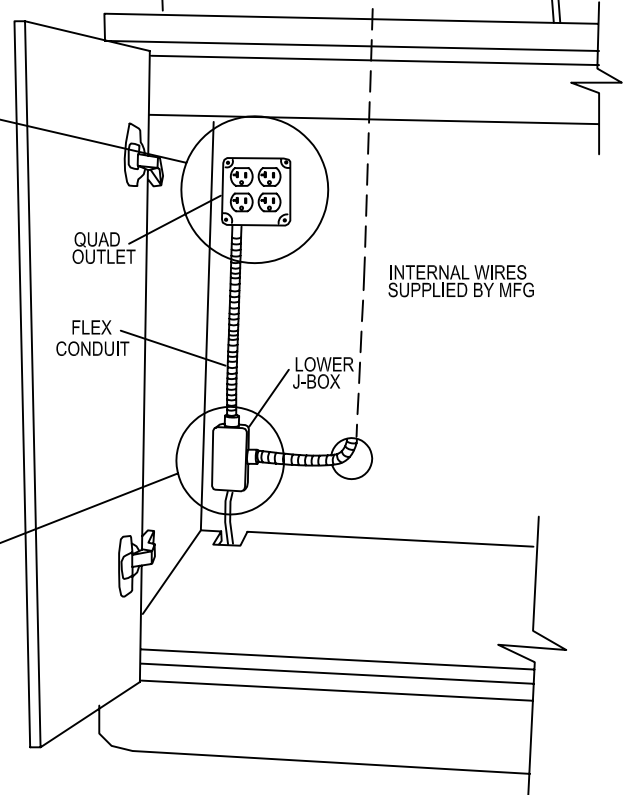
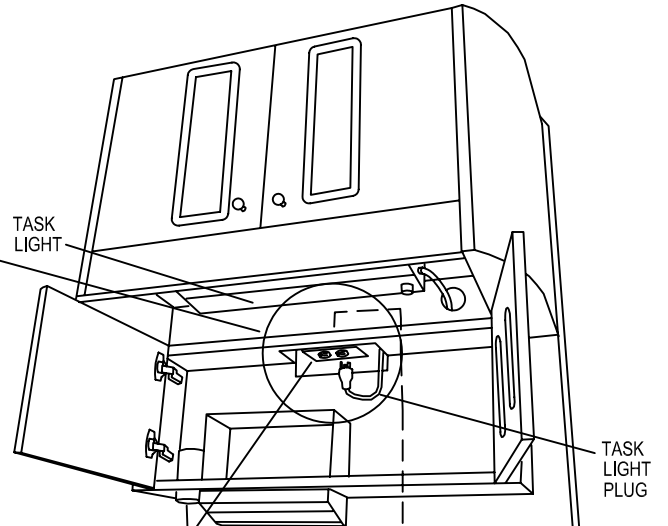
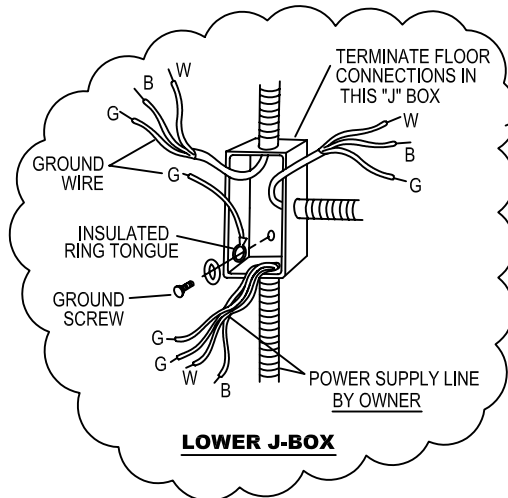
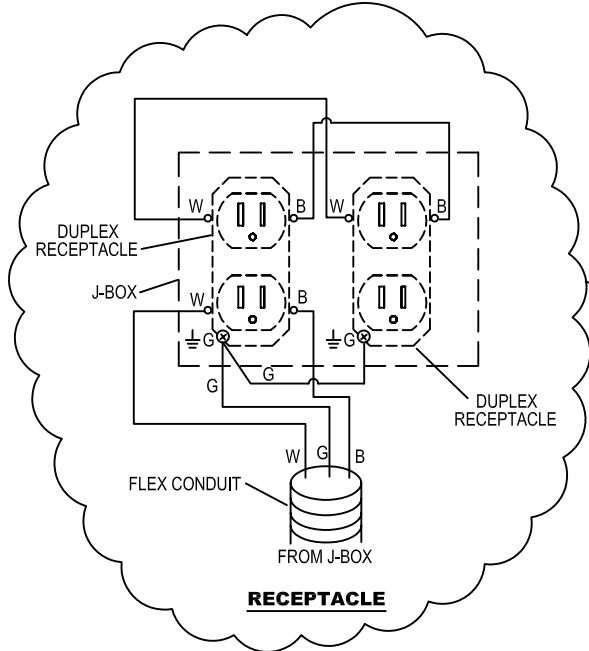
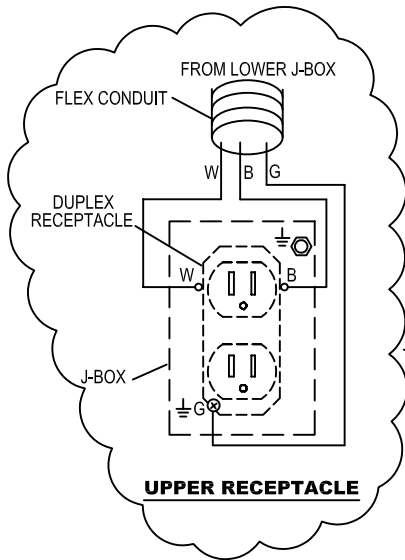
- 1 – Height adjustment: Loosen screws **B** slightly. Adjust screw **A** (adjustment +/- 2mm). Tighten screws **B**.
- 2 - Side adjustment: Loosen screws **B** slightly. Adjust front to required position (adjustment range +/- 1.5mm). Tighten screws **B**.



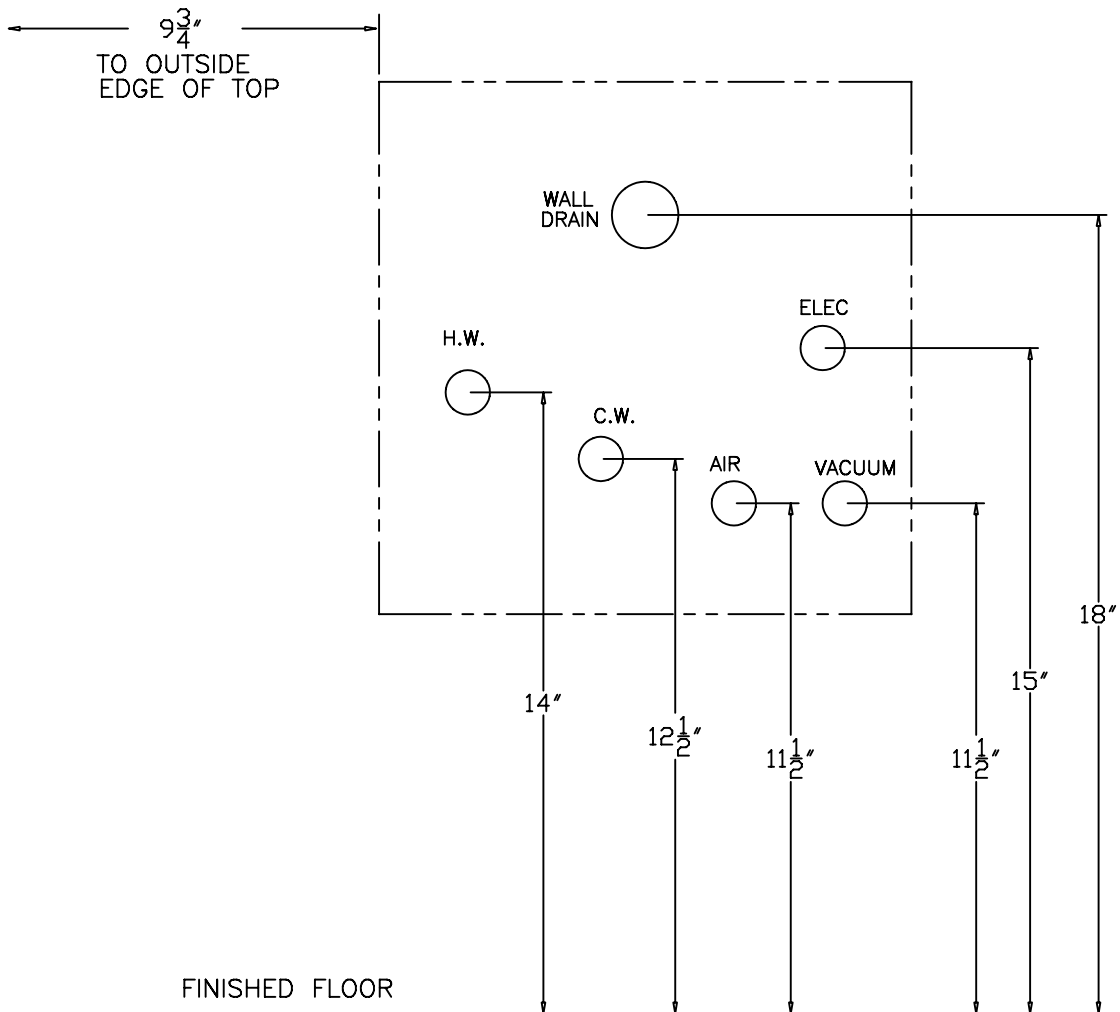
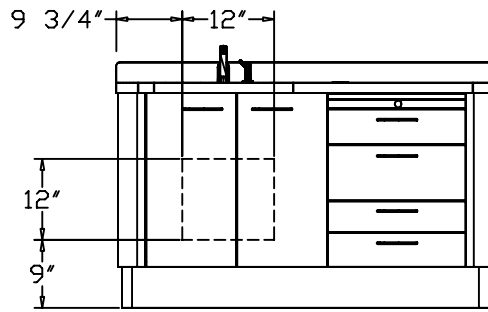
D-1 & D-3 ELECTRICAL HOOKUP

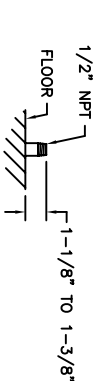
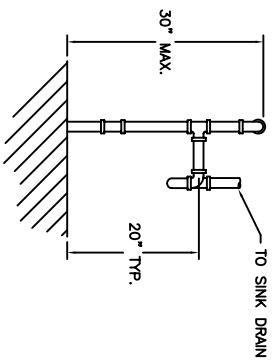
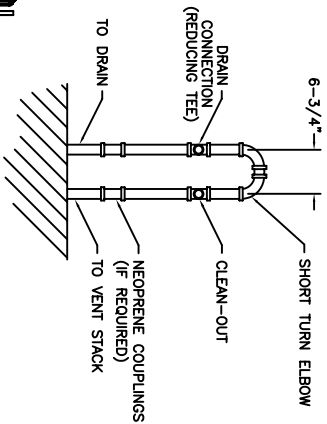
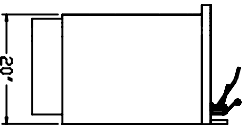
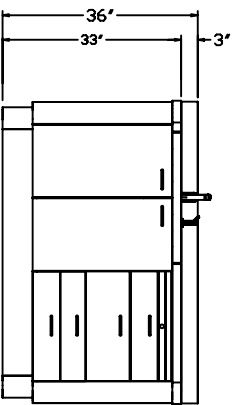
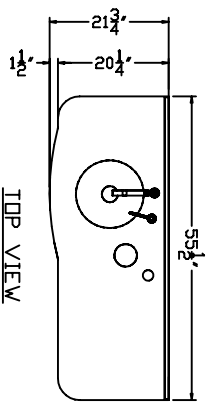
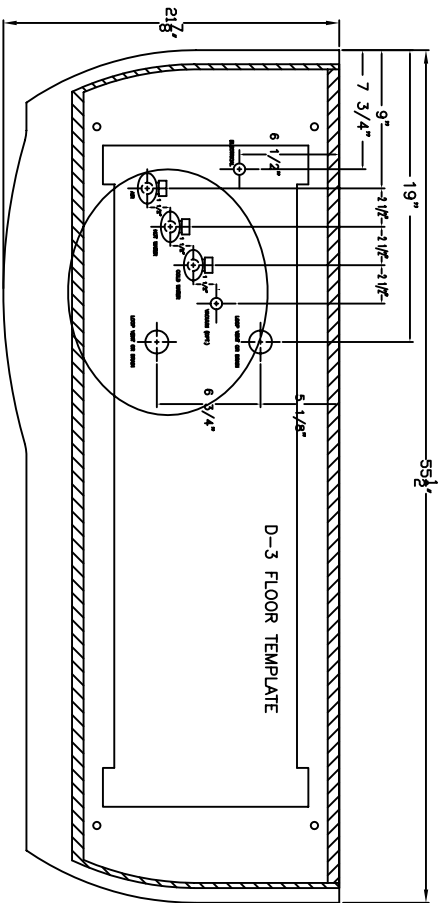


D-1 OR D-3 WITH D-2 ELECTRICAL HOOKUP



D-3 WALL TEMPLATE FOR REAR PLUMBING





DETAIL OF AIR, WATER, AND VACUUM STUBS (STOP VALVES SUPPLIED WITH CABINET)

FRONT VIEW

RIGHT SIDE VIEW

NOTE: PLAN AND ELEVATION VIEWS ARE FOR REFERENCE ONLY. SEE INSTALLATION MANUAL FOR DETAILED INFORMATION.

PLUMBING NOTES
 1-1/2" DRAIN SHOWN. SIZE MAY VARY ACCORDING TO LOCAL CODE.
 IT IS THE RESPONSIBILITY OF THE INSTALLER TO CONFIRM THAT THE INSTALLATION MEETS LOCAL CODE WITH REGARD TO MATERIALS, VENTING, ETC.

KOGEN MANUFACTURING ASSUMES NO RESPONSIBILITY FOR MEASUREMENTS SUBMITTED TO THEM BY OTHERS. ALL ELECTRICAL SOURCES OR CORRECT MEASUREMENTS ON THIS DRAWING ARE THE RESPONSIBILITY OF THE LOCAL CODE REGULATORS. SHOULD BE CHECKED WITH THE ARCHITECT OR PROPER CONTRACTOR BEFORE WORK IS STARTED.

REV.	DATE	DESCRIPTION	BY
KOGEN MANUFACTURING CO., INC.			
ST. LOUIS, MISSOURI			
MATERIAL:		TITLE	
FINISH:		D-3 FLOOR TEMPLATE	
DRAWN: L. Litchfield	SCALE: 1=1	DRAWING NO.	
CHK'D:	DATE: 5/27/2003	P11344	

