

D-Series Dental Cabinetry System

Installation Manual

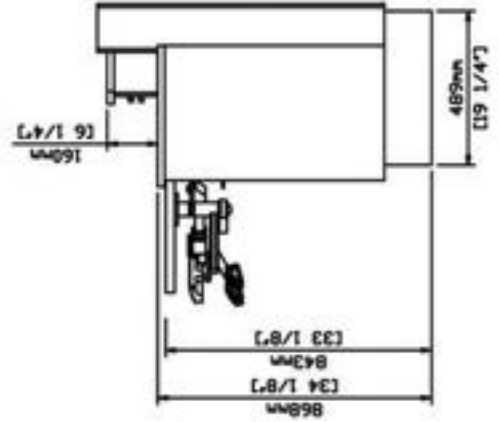
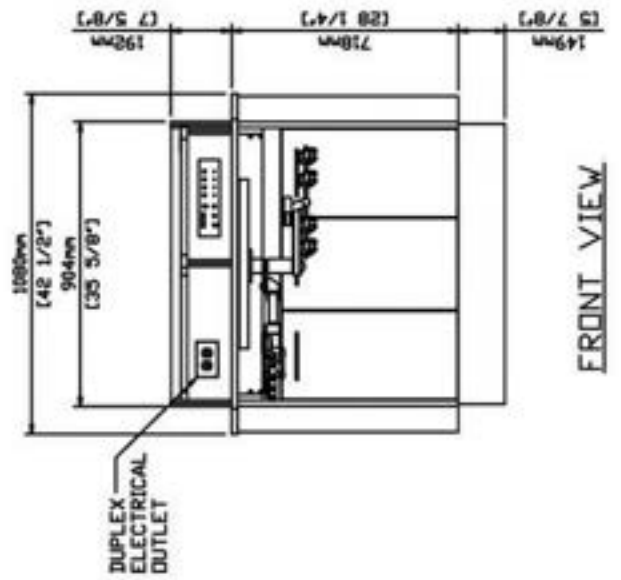
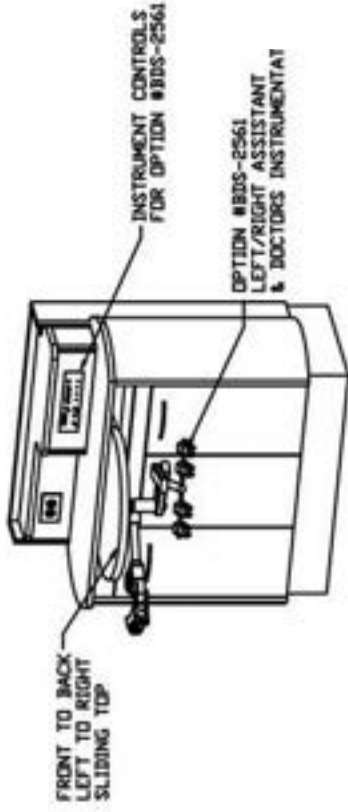
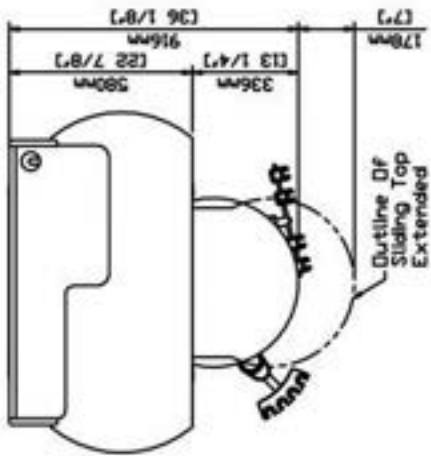
Model: D-66CM-L



1631 Dr. Martin Luther King Drive
St. Louis, MO 63106
(314) 231-7383 1-800-325-7373
Fax (314) 621-2296
www.belmontequip.com

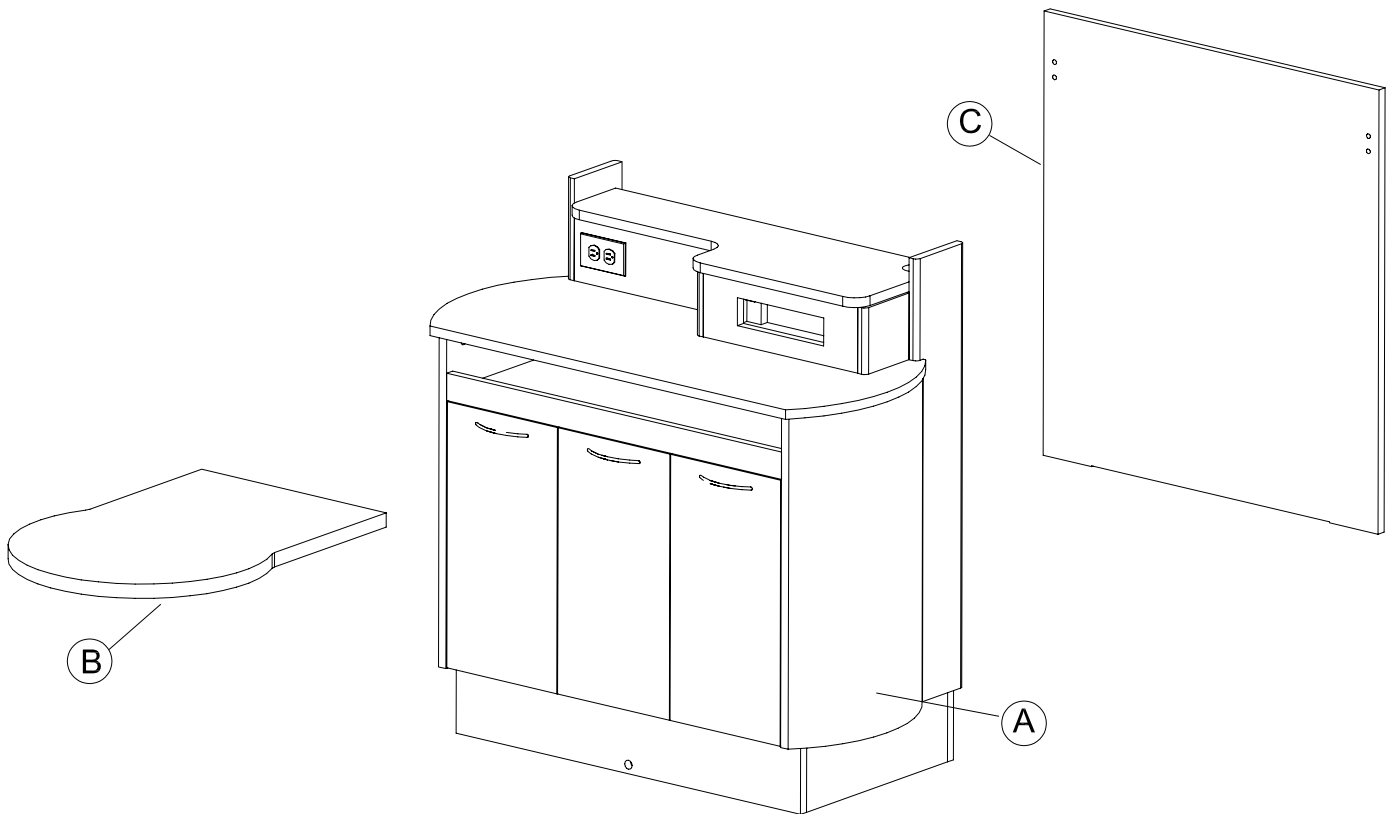
Description: D-66CM3-L Lower Rear Console Left-Right

Model: D-66CM-L Dimensions



D-66CM-L Assembly Instructions

Component Identification



Component Identification

- (A) Cabinet Base
- (B) Sliding Top
- (C) Back Panel

Note:

Back panel (item C) is attached to base cabinet (item A) during shipping. It must be removed for cabinet assembly.

D-66CM-L Assembly Instructions

Step 1

Check the incoming power location to see if it conforms to the specification on the floor template drawing. If a dental delivery system is to be installed on this cabinet, confirm that the appropriate air, water and vacuum plumbing stubs are in place.

Step 2

Open the doors and remove the removable hole covers (A1) (quantity may vary). See Figure 2. If the upper top (A2) is in place remove it by lifting up on it.

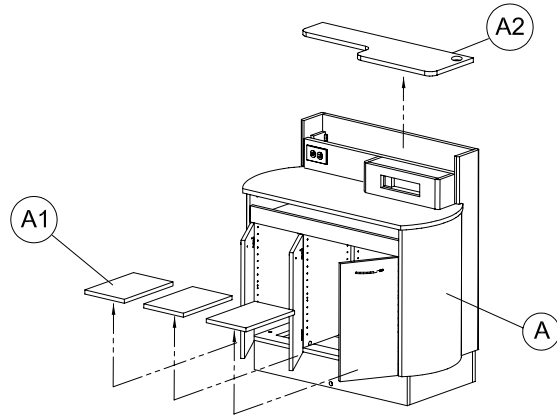


FIGURE 2

Step 3

Remove the back panel (C) from the cabinet base (A) by releasing the KD connectors connecting the back panel. Access the KD's from inside the upper left/right interior corners. See Figure 3A

Release the KD connectors by turning the screw counter clockwise about 1/2 turn. See Figure 3B Do this to both KD's.

Once the KD's are disconnected you may lift off the back panel and remove.

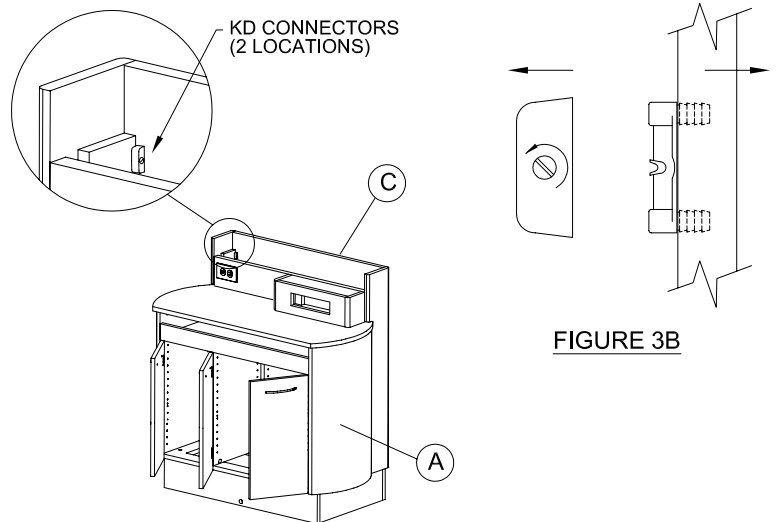


FIGURE 3B

FIGURE 3A

Step 4

Before moving cabinet base make sure the leveling feet are not extended. Screw in to minimum height if they are not. See Figure 4

Move the cabinet base over the electric &/or plumbing stubs. Using the leveling feet level the unit. Secure to floor using the floor brackets. See Figure 4

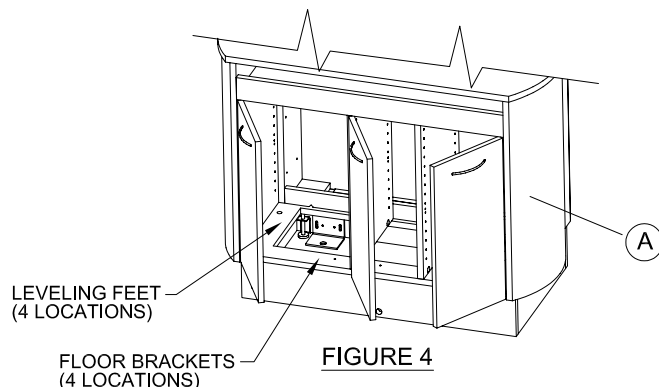


FIGURE 4

D-66CM-L Assembly Instructions

Step 5

Remove the top support block at the rear of the unit by removing the wood screws in the block. See Figure 5A. Insert sliding top from the rear with the slides extended. See Figure 5B. Have an assistant hold the sliding top in place and screw the (6) #10 x 3/4"PH wood screws (1/4-20 x 1/2" round head screws if cambria top) through the slides into the sliding top. See Figure 5C. Replace the top support block removed in Figure 5A.

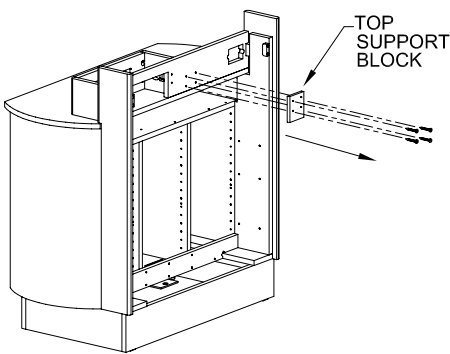


FIGURE 5A

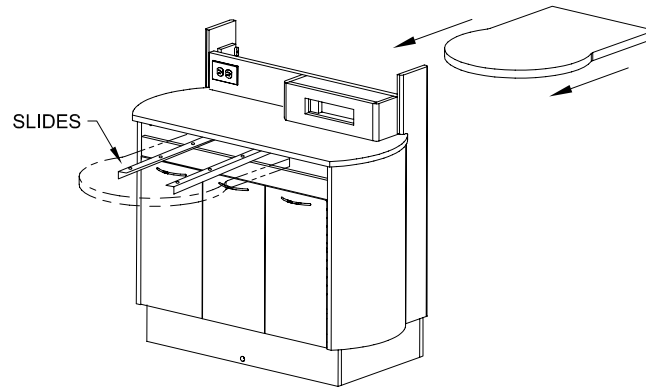


FIGURE 5B

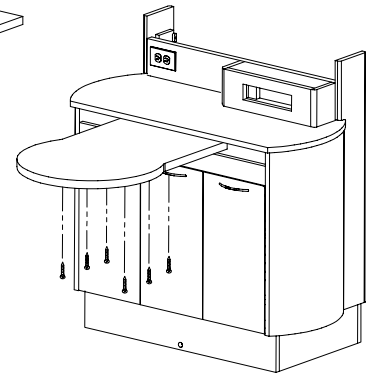


FIGURE 5C

Step 6

Make electrical connections per the D-66CM-L Electrical Instructions.

Step 7

Mount the left-right rear delivery unit underneath the sliding countertop (B) using (4) #10-32 x 3/4" allen head screws (requires 5/32" allen wrench). See Figure 7

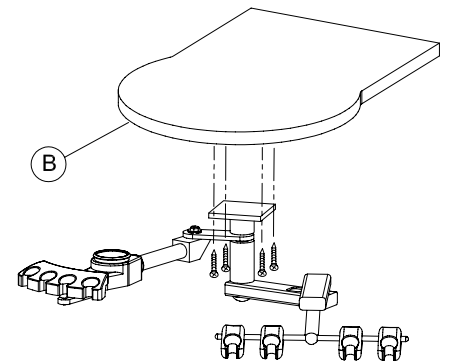


FIGURE 7
HOSES NOT SHOWN

Step 8

Install the control panel with (4) #6 x 3/4" white painted screws (supplied by manufacturer) to upper front panel and attach vacuum, air and water connections to building plumbing according to the unit manufacturers directions. See Figure 8

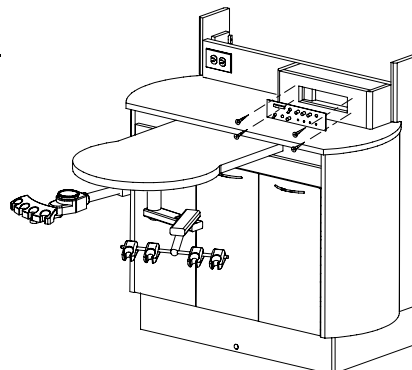


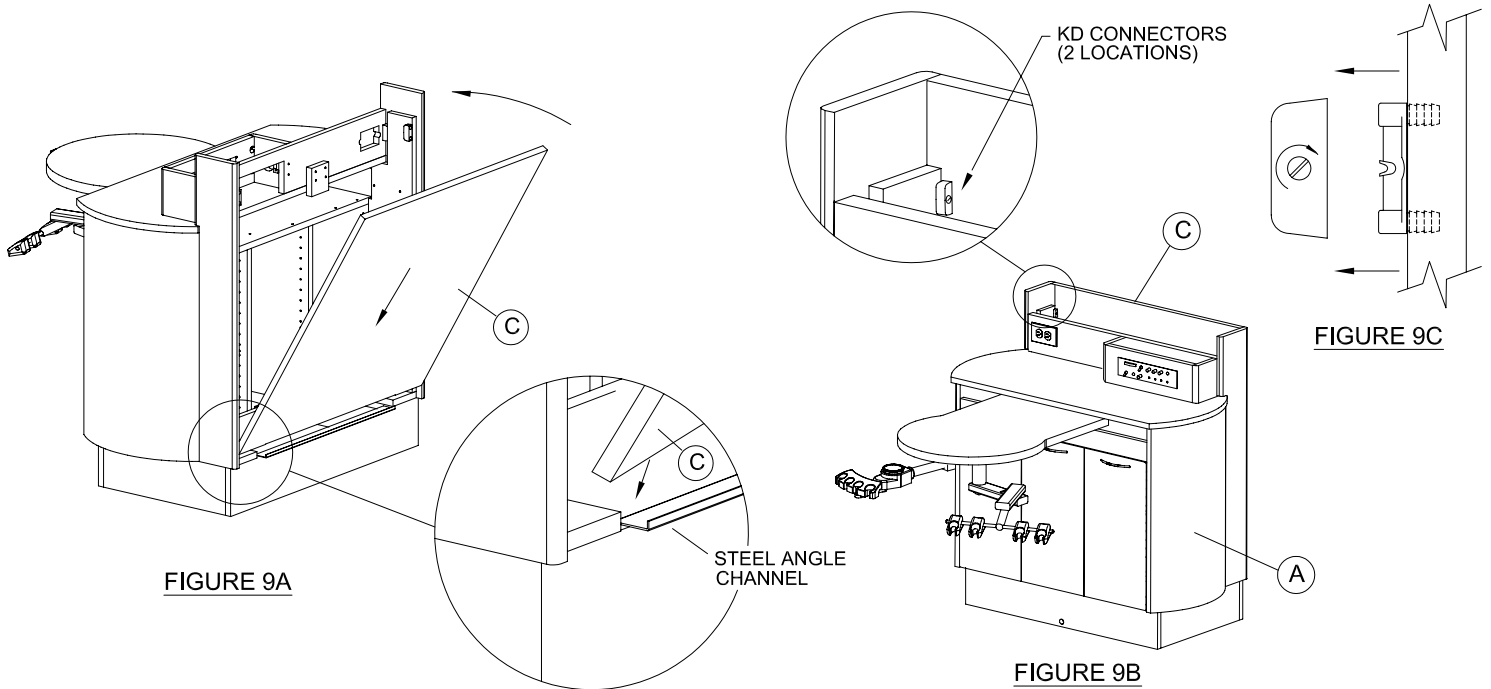
FIGURE 8

D-66CM-L Assembly Instructions

Step 9

Replace the back panel (C) to the cabinet base (A) by seating the back panel into the steel angle channel at the bottom of the rear opening. See Figure 9A. Tilt the top of the rear panel into position and engage the 2 KD connectors by accessing the KD connectors from inside the lower cabinet. See Figure 9B.

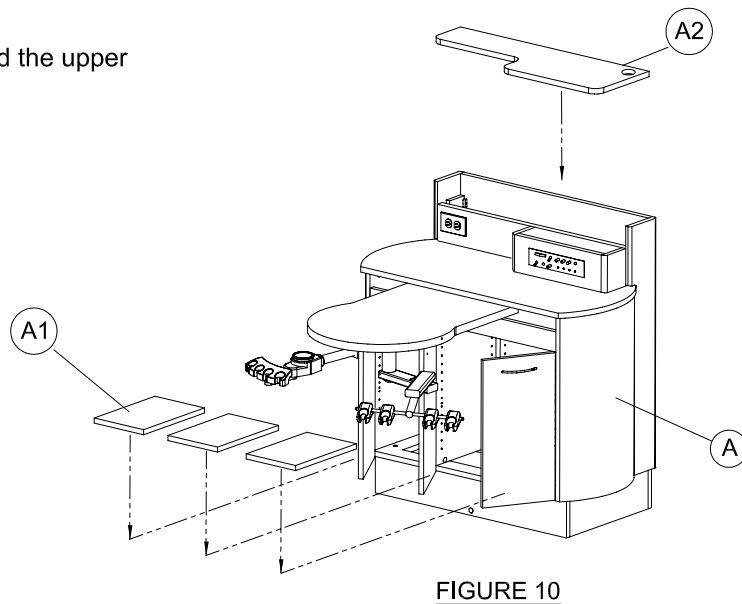
Engage the KD connectors by turning the screw clockwise about 1/2 turn. See Figure 9C



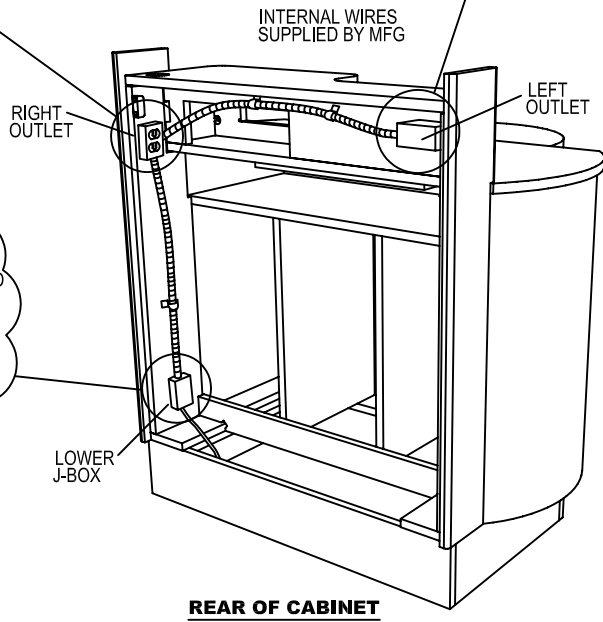
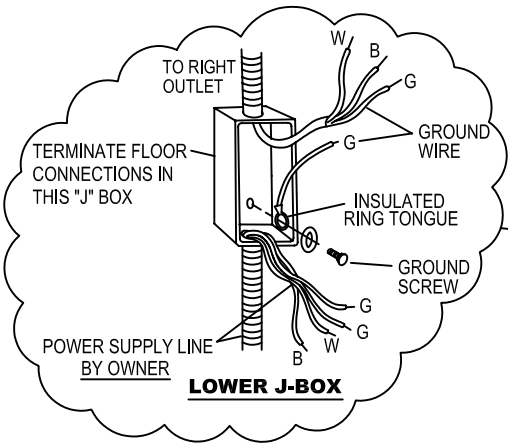
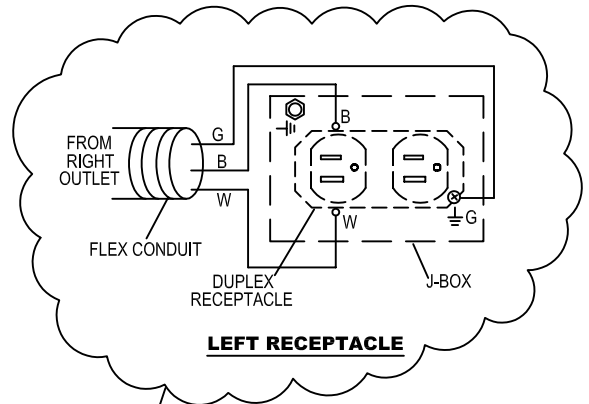
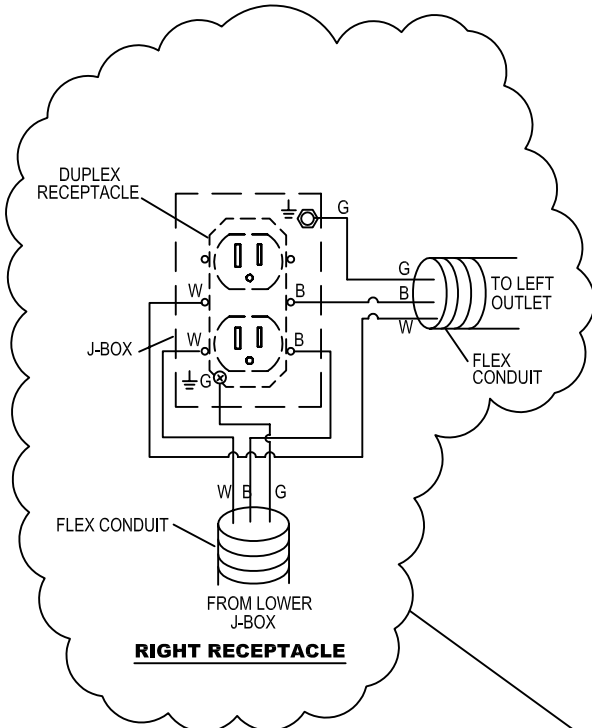
Step 10

Replace the removable hole covers (A1) and the upper top (A2). See Figure 10.

Installation Complete



D-66CM-L ELECTRICAL CONNECTIONS



D-66CM-L Electrical Parts List

1. Junction box w/cover, galvanized steel. Overall dimensions, 4" long, 2 1/8" wide, 1 1/2" deep, .07" thick. U.L. listed or equal.
2. Internal cords are 12/3 AWG, TYPE SO, SOO, SJ, SJT, SJO, or SJTO insulated, rated 300 VAC, 60°C, U.L. listed or equal. Cabinet between receptacles and timers (unit provided with timers) are minimum 14/3 AWG, type SO, SOO, SJ, SJT, SJO or SJTO insulated, rated 300 VAC, 60°C.
3. Conduit connector, 3/8" insulated. U.L. listed or equal.
4. Vinyl insulated butted seam ring, wire rated 12-10 AWG. U.L. listed or equal.
5. Wire connectors (wire nut), screw on type. U.L. listed.
6. Flexible conduit, flexible steel conduit, 1/2". U.L. recognized or equal.
7. Receptacle, duplex 2-pole 3 wire grounding hospital grade, rated 125 VAC, 15 AMPS. U.L. listed or equal.
8. Wall plate, duplex, U.L. listed.

D-66CM-L X-Calibur Electrical Instructions

IMPORTANT NOTE: Approved electrical components and designs are used in the X-Calibur cabinet; however, the procedures described herein must be performed by a licensed electrician using approved methods and materials according to the local code governing the installation site.

General Electrical Notes

- Each cabinet should be wired to a **SEPARATE 15 Amp circuit**.
- Unless otherwise specified, **ALL WIRING** supplied by the contractor must be **APPROVED 12 Ga. AWG**.
- Type B equipment providing a particular degree of protection against electric shock, particularly regarding: allowable leakage current, & reliability of the protective earth connection (if present).
- Disconnect device must be provided in the branch circuit by electrician.

X-CALIBUR™ CABINETRY SYSTEM

LAMINATE SURFACE CLEANING INSTRUCTIONS

The disinfectant solution should be applied in accordance with the instructions provided by the manufacturer. The following solution is recommended for laminate surfaces, it may also be used on metal and glass surfaces.

| | |
|----------------------|------------------------|
| Product | Manufacturer |
| Birex ® | Biotrol International |
| Kodak Clinasept | Kodak |
| Foaming Disinfectant | Catalogue No. 829-5230 |

Koken not responsible for any changes made by the manufacturer in the chemical composition of the cleaning solution listed above, which may effect the finishing after application.

SOLID SURFACE VENEER

CLEANING, CARE AND MAINTENANCE

In most cases, caring for your solid surface veneer countertop or surface is as simple as wiping the surface with a damp cloth. If a stain develops, wipe it away with soap and water. Or if you prefer, wipe it clean with Windex® - **not 409® or Fantastic®**. **NOTE: The cleaning chemicals used to clean Laminate material are not to be used on solid surface veneer material, such chemicals may damage the solid surface veneer material.**

If a stain doesn't respond to soap and water, for a matte finish, apply an abrasive cleanser and buff with a Scotch-Brite® pad using a circular motion. The same technique can be used for cigarette burns.

For minor cuts and scratches, simply sand lightly with medium (180 grit) sandpaper, then follow with a fine (220 grit) sandpaper. Finally touch up the finish by buffing with a Scotch-Brite® pad.

PRECAUTIONS:

Do not expose the surface to harsh chemicals, such as chloroform, eugenol, methyl ethyl ketone, paint remover, turpentine, nail polish remover or stove and drain cleansers. If these chemicals come in contact with the surface, immediately wash them off with water, using appropriate safety measures to avoid injury.

In case of staining or spotting, sand lightly with fine sandpaper, then buff in a circular motion with a Scotch-Brite® pad. Hot pans or heat-producing appliances can mar your solid surface veneer surface when placed directly on the countertop. Always use a trivet with legs. Care should be taken in order to keep the surface looking as good as new.

NOTE: The warranty shall not apply to defects or damages arising from any of the following:

- Accidents abuse or misuse of chloroform, eugenol and solvents such as acetone/M.E.K. These chemicals can possibly damage and discolor solid surface veneer materials if in contact over time.
- Exposure to extreme temperatures.
- Improper maintenance.

Koken not responsible for any improper care of solid surface veneer material and that any warranty will be void.

CAMBRIA QUARTZ SURFACES

CLEANING, CARE AND MAINTENANCE

Cambria is care free therefore no sealing, buffing, polishing or reconditioning required. Using soap and water is sufficient to clean the Cambria surface.

Adjustment Instructions for Concealed Hinges and Drawers

3-Dimension Adjustment for Snap-On Hinge

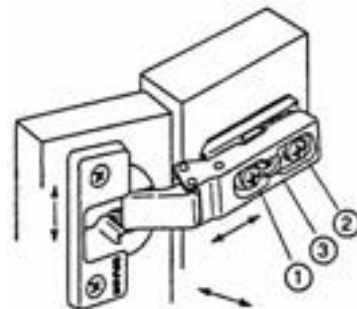
Note: Remove Cover Cap

Allows for three-way adjustments in the hinge arm.
The side adjustment is a micro adjustment. The depth and height adjustment is held by a grid system.

Use #2 POZIdrive screwdriver to adjust screws.

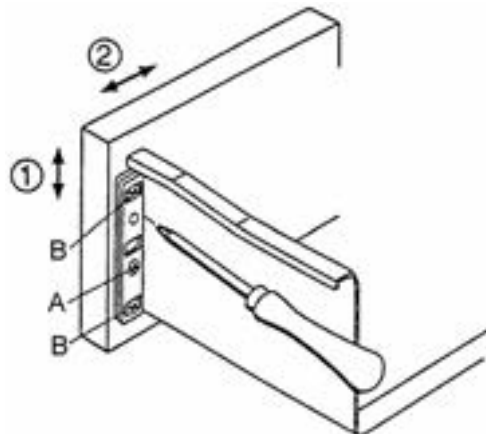
- 1 – Side adjustment
- 2 – Depth adjustment
- 3 – Height adjustment

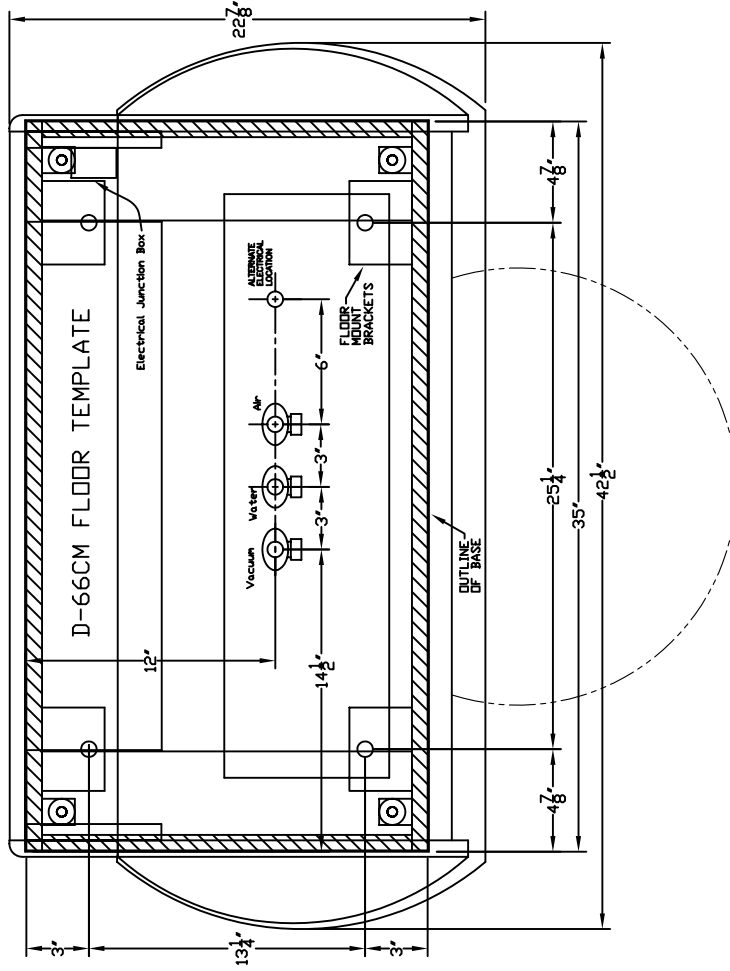
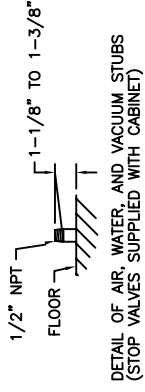
Release Latch



Adjustment for Drawer

- 1 – Height adjustment: Loosen screws **B** slightly. Adjust screw **A** (adjustment +/- 2mm). Tighten screws **B**.
- 2 - Side adjustment: Loosen screws **B** slightly. Adjust front to required position (adjustment range +/- 1.5mm). Tighten screws **B**.





IMPORTANT NOTE:
PLUMBING LOCATIONS SHOWN ARE TYPICAL FOR
PLUMBING SYSTEMS CURRENTLY AVAILABLE. THE
PLUMBING HARDWARE IS NOT SUPPLIED WITH THE
CABINETRY; IT IS NOT REQUIRED UNLESS A DELIVERY
SYSTEM IS BEING INSTALLED. WE RECOMMEND YOU
REVIEW THE TEMPLATE SUPPLIED BY THE DELIVERY
SYSTEM MANUFACTURER WHEN PLANNING THIS
PLUMBING LAYOUT.

NOTE: IF A NITROUS ANALGESIA SYSTEM IS
TO BE INSTALLED, LOCATE THE PIPING IN
THE AREA INDICATED, BECAUSE OF THE
DIFFERENCES IN SYSTEM HARDWARE. EXACT
LOCATIONS MUST BE DETERMINED BY INSTALLER.

KOKEN MANUFACTURING ASSUMES NO
RESPONSIBILITY FOR MEASUREMENTS
MADE BY THE INSTALLER. THE LOCATION OF
ELECTRICAL SOURCES OR CORRECT
LOCATION OF ELECTRICAL SOURCES IS NOT
FOR YOURS. ONLY LOCAL
MEASUREMENTS ON THIS DRAWING ARE
TO BE USED. THE ARCHITECT OR
CHECKED WITH THE ARCHITECT OR
DATE: 7/30/04
DRAWING NO. P11347

| REV. | DATE | DESCRIPTION | BY |
|----------------|------|-------------------------------|---------|
| | | KOKEN MANUFACTURING CO., INC. | |
| MATERIAL | | | |
| FINISH | | | |
| TITLE | | | |
| D-66CM--L | | | |
| FLOOR TEMPLATE | | | |
| DRAWN BY | | | |
| L. LICHTENBERG | | | |
| SCALE | | | 1=1 |
| DATE | | | 7/30/04 |
| DRAWING NO. | | | P11347 |